



# Special Documentation

## Mounting bracket 316L, adjustable

### Micropilot FMR60B, FMR66B

Accessories

#### Intended use

- The mounting bracket can be used to fit the device on a wall or ceiling.
- The device can be aligned with the product surface using the swivel function.
- Suitable for device with single compartment housing or dual compartment L-shaped aluminum housing, combined with encapsulated antenna in both cases, PVDF, 40 mm (1.5 in) or drip-off antenna 50 mm (2 in) with threaded process connection.

#### Safety instructions

##### **⚠ WARNING**

**Hazardous area: Risk of explosion due to static charge on mounting bracket!**

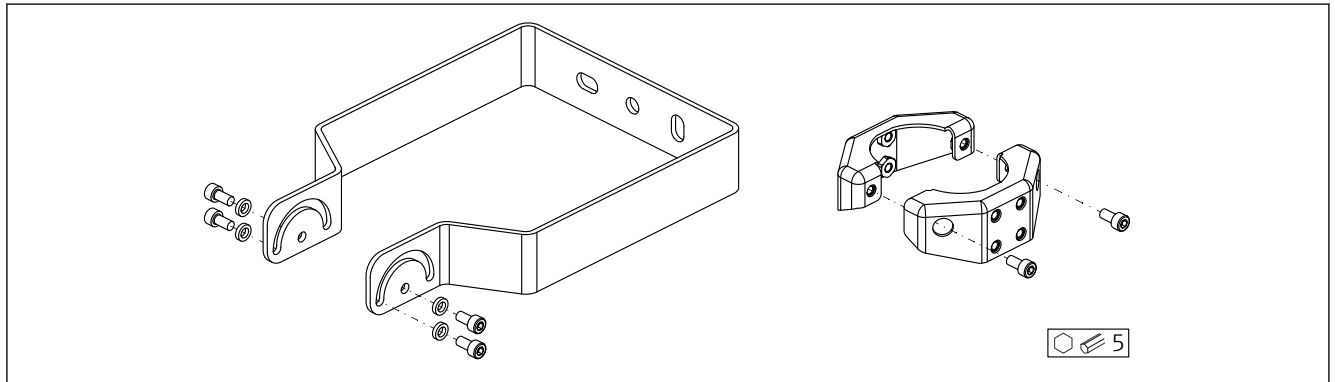
- ▶ Integrate the mounting bracket into the local potential equalization system.

##### **⚠ CAUTION**

**Risk of injury from mechanical damage!**

- ▶ Do not step on or climb on the mounting bracket!

#### Scope of delivery

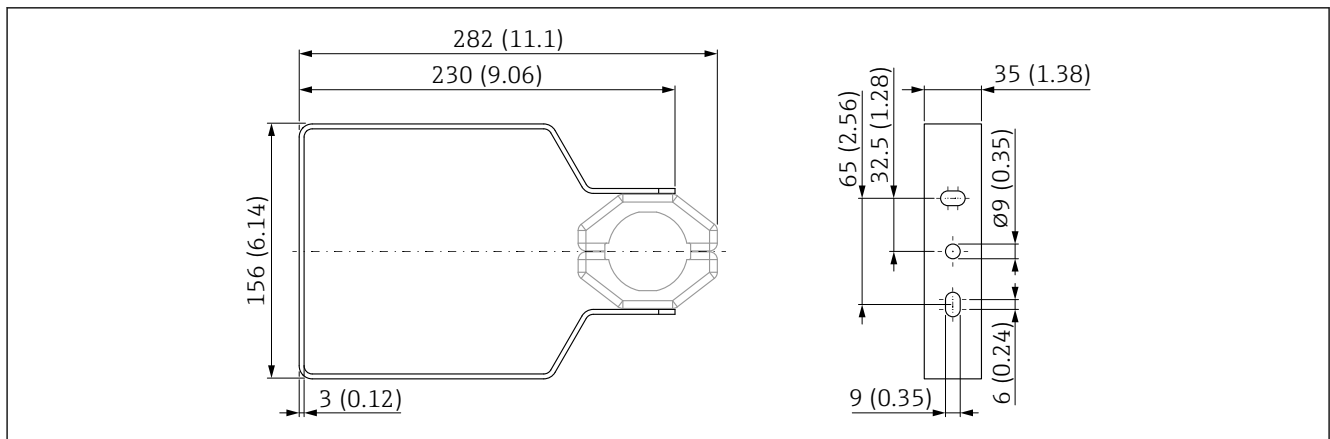


##### **1** Scope of delivery of mounting bracket, adjustable

- 1 × mounting bracket, 316L (1.4404)
- 2 × holder, 316L (1.4404)
- 6 × screws, A4
- 4 × lock washer, A4

A0049050

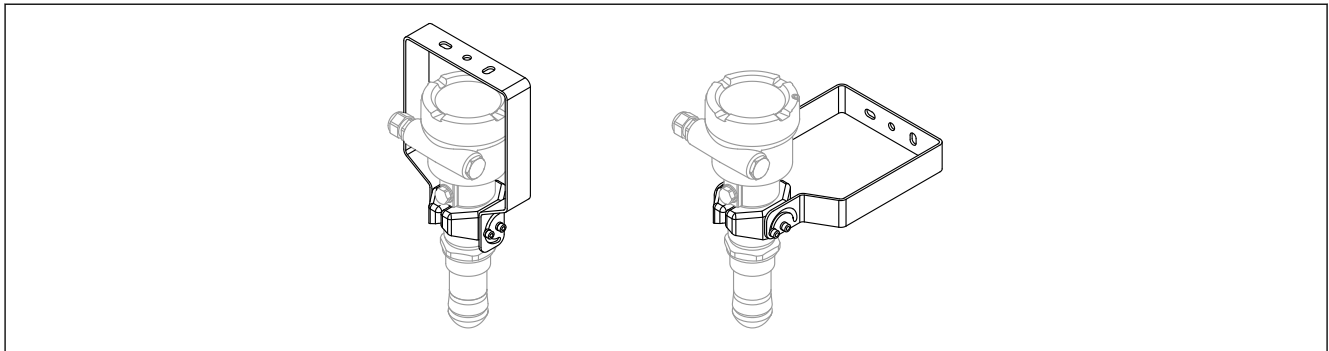
## Dimensions



A0048769

2 Dimensions of mounting bracket. Unit of measurement mm (in)

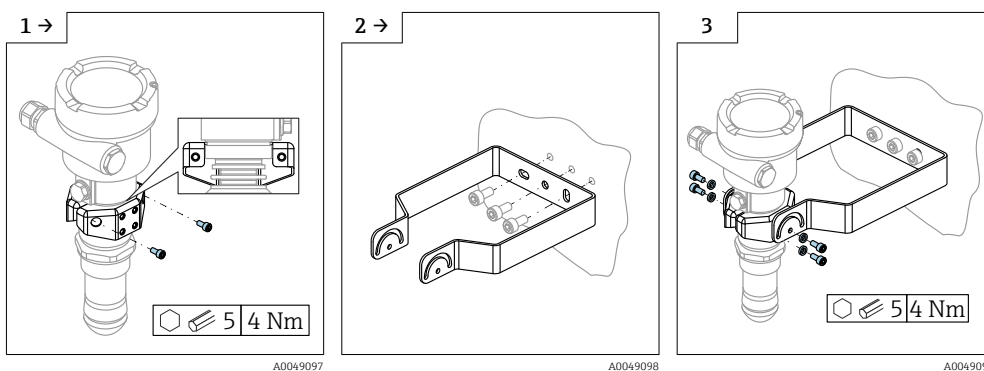
## Installation



A0048745

3 Wall or ceiling installation with device

**i** Fasten only to stable materials (e.g., metal, brick, concrete) with suitable fastening fixtures (provided by the customer).



A0049097

A0049098

A0049099