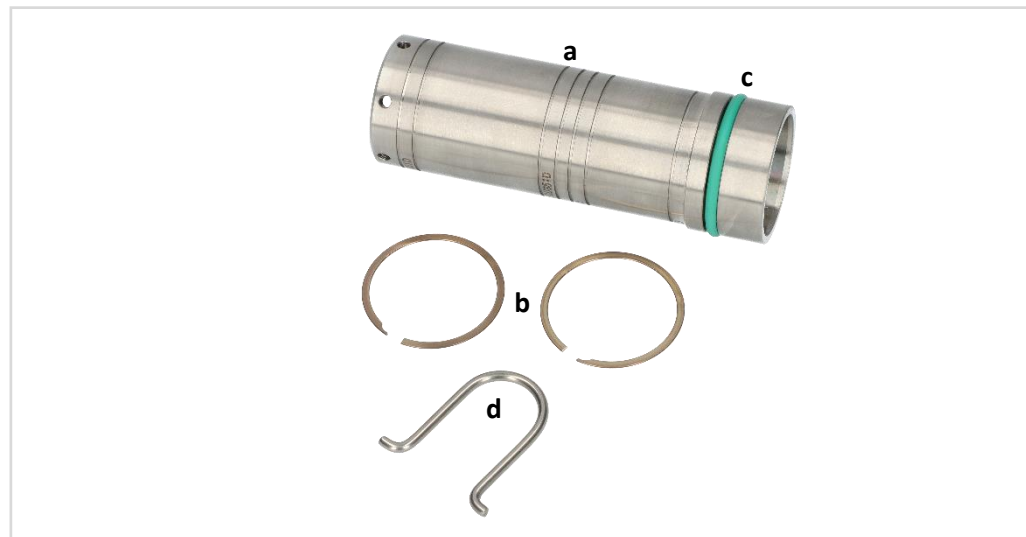


Kit 71425249: CxA451 Kit universal sensor holder short



Kit Content	Pcs.	Pos.
Universal sensor holder short	1	a
Locking ring OD 41 mm, 316L	2	b
O-ring ID32.92 W3.53 FPM	1	c
Bracket	1	d

