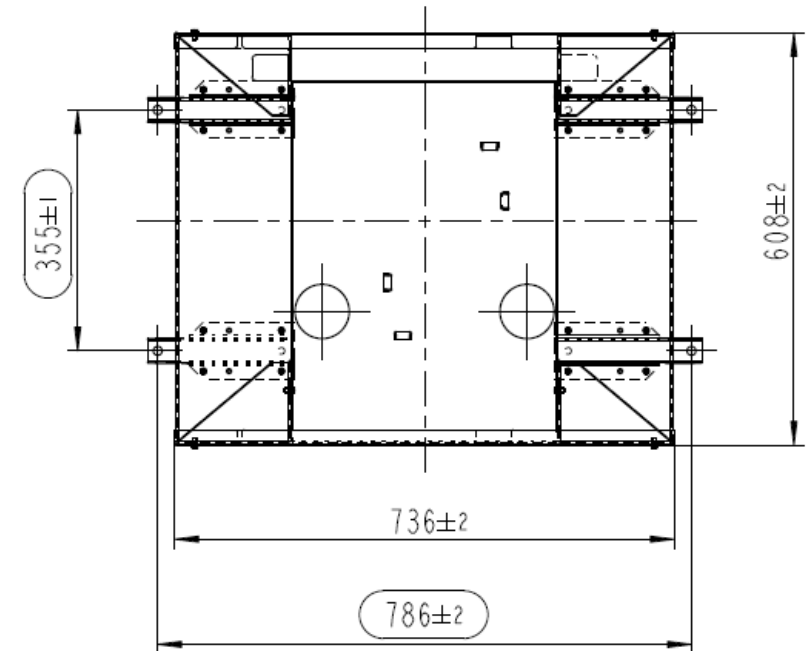


Kit 71111197: Retrofit kit stand, V2A; 304(x)



Kit Content	Pcs.	Pos.
CSF stand V2A	1	a