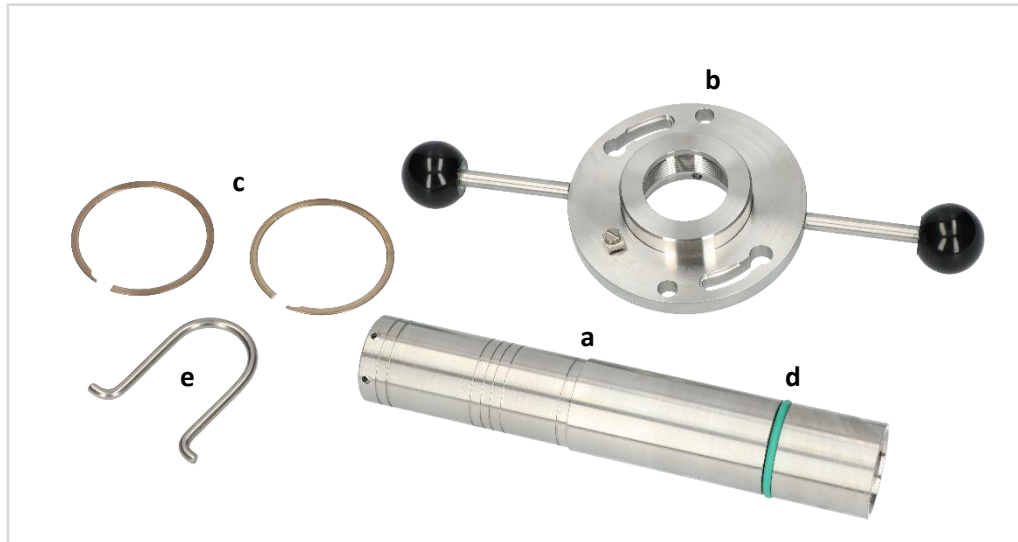


# Kit 71425253: CxA451 Kit retrofit universal sensor holder long



Kit Content	Pcs.	Pos.
Universal sensor holder long	1	a
Bayonet nut with handles M45 × 1.5 316L	1	b
Locking ring OD 41 mm, 316L	2	c
O-ring ID32.92 W3.53 FPM	1	d
Bracket	1	e

