

Technical Information

Proline Promag H 500

Electromagnetic flowmeter



Specialist for hygienic applications, as remote version with up to 4 I/Os

Applications

- The bidirectional measuring principle is virtually independent of pressure, density, temperature and viscosity
- For applications with hygienic requirements

Device properties

- Liner made of PFA
- Hygienic version as per 3-A, EHEDG
- Wetted materials CIP/SIP cleanable
- Remote version with up to 4 I/Os
- Backlit display with touch control and WLAN access
- Standard cable between sensor and transmitter

Your benefits

- Multivariable measurement for flow, temperature and conductivity
- Flexible installation – hygienic measurement with 0 x DN inlet run and numerous process connections
- Energy-saving flow measurement – no pressure loss due to cross section constriction
- Maintenance-free – no moving parts
- Full access to process and diagnostic information – numerous, freely combinable I/Os and Ethernet
- Reduced complexity and variety – user-configurable I/O functionality
- Built-in verification – Heartbeat Technology

Table of contents

About this document	4	Length of connecting cable	68
Electrical symbols	4	Installing the transmitter housing	69
Communication-specific symbols	4	Special installation instructions	71
Symbols for certain types of information	4		
Symbols in graphics	4		
Function and system design	5	Environment	71
Measuring principle	5	Ambient temperature range	71
Measuring system	6	Storage temperature	72
Equipment architecture	8	Atmosphere	72
Dependability	8	Relative humidity	72
		Operating height	72
		Degree of protection	72
		Vibration resistance and shock resistance	72
		Mechanical load	72
		Electromagnetic compatibility (EMC)	73
Input	11		
Measured variable	11	Process	73
Measuring range	11	Medium temperature range	73
Operable flow range	12	Conductivity	74
Input signal	12	Pressure-temperature ratings	74
		Pressure tightness	80
		Flow limit	80
		Pressure loss	80
		System pressure	80
		Internal cleaning	80
		Vibrations	80
		Magnetism and static electricity	80
Output	14		
Output and input variants	14	Mechanical construction	81
Output signal	16	Dimensions in SI units	81
Failure signal	22	Dimensions in US units	102
Load	25	Weight	117
Ex connection data	25	Measuring tube specification	117
Low flow cut off	30	Materials	118
Galvanic isolation	30	Fitted electrodes	120
Protocol-specific data	31	Process connections	120
		Surface roughness	120
Power supply	38	Display and user interface	121
Terminal assignment	38	Operation concept	121
Available device plugs Proline 500	40	Languages	121
Available device plugs Proline 500 digital	42	Onsite operation	121
Pin assignment, device plug	43	Remote operation	122
Supply voltage	45	Service interface	128
Power consumption	45	Network integration	130
Current consumption	46	Supported operating tools	131
Power supply failure	46	HistoROM data management	132
Overcurrent protection element	46		
Electrical connection	46	Certificates and approvals	134
Ensuring potential equalization	54	CE mark	134
Terminals	56	UKCA marking	134
Cable entries	56	RCM marking	134
Cable specification	56	Ex-approval	134
Overvoltage protection	60	Sanitary compatibility	135
		Pharmaceutical compatibility	135
		Functional safety	135
		HART certification	135
		FOUNDATION Fieldbus certification	135
		Certification PROFIBUS	136
Performance characteristics	60		
Reference operating conditions	60		
Maximum measurement error	60		
Repeatability	62		
Temperature measurement response time	62		
Influence of ambient temperature	62		
Installation	62		
Installation location	62		
Orientation	64		
Inlet and outlet runs	65		
Adapters	67		

EtherNet/IP certification	136
Certification PROFINET	136
PROFINET over Ethernet-APL certification	136
Radio approval	136
Pressure Equipment Directive	136
Additional certification	137
External standards and guidelines	137
Ordering information	137
Application packages	138
Diagnostic functionality	138
Heartbeat Technology	138
Cleaning	138
OPC-UA Server	139
Accessories	139
Device-specific accessories	139
Communication-specific accessories	141
Service-specific accessories	141
System components	142
Documentation	142
Standard documentation	142
Device-dependent additional documentation	143
Registered trademarks	144

About this document

Electrical symbols

Symbol	Meaning
	Direct current
	Alternating current
	Direct current and alternating current
	Ground connection A grounded terminal which, as far as the operator is concerned, is grounded via a grounding system.
	Protective earth (PE) Ground terminals that must be connected to ground prior to establishing any other connections. The ground terminals are located on the interior and exterior of the device: <ul style="list-style-type: none"> ▪ Interior ground terminal: protective earth is connected to the mains supply. ▪ Exterior ground terminal: device is connected to the plant grounding system.

Communication-specific symbols




Symbol	Meaning
	Wireless Local Area Network (WLAN) Communication via a wireless, local area network
	LED LED is off.
	LED LED is on.
	LED LED flashing.

Symbols for certain types of information

Symbol	Meaning
	Permitted Procedures, processes or actions that are permitted.
	Preferred Procedures, processes or actions that are preferred.
	Forbidden Procedures, processes or actions that are forbidden.
	Tip Indicates additional information.
	Reference to documentation
	Reference to page
	Reference to graphic
	Visual inspection

Symbols in graphics

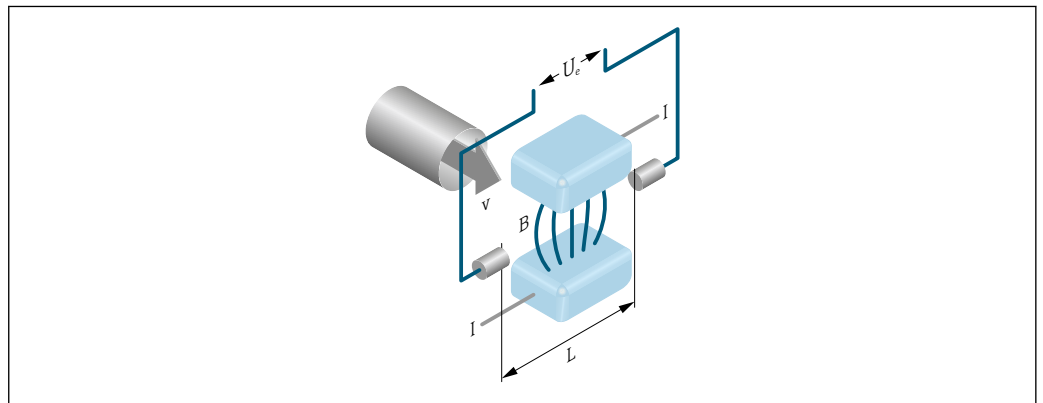
Symbol	Meaning
1, 2, 3, ...	Item numbers
1 , 2 , 3 , ...	Series of steps
A, B, C, ...	Views
A-A, B-B, C-C, ...	Sections

Symbol	Meaning
	Hazardous area
	Safe area (non-hazardous area)
	Flow direction

Function and system design

Measuring principle

According to *Faraday's law of magnetic induction*, a voltage is induced in a conductor moving through a magnetic field.



A0028962

- U_e Induced voltage
 B Magnetic induction (magnetic field)
 L Electrode spacing
 I Current
 v Flow velocity

In the electromagnetic measuring principle, the flowing medium is the moving conductor. The induced voltage (U_e) is proportional to the flow velocity (v) and is transmitted to the amplifier via the working electrodes. The flow volume (Q) is calculated via the pipe cross-section (A). The magnetic field is created through a switched direct current of alternating polarity.

Formulae for calculation

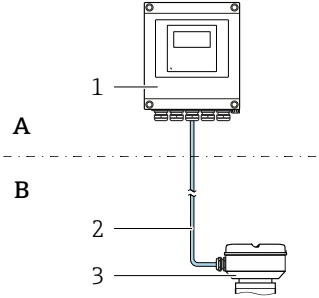
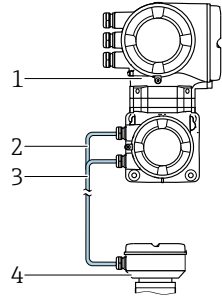
- Induced voltage $U_e = B \cdot L \cdot v$
- Volume flow $Q = A \cdot v$

Measuring system

The measuring system consists of a transmitter and a sensor. The transmitter and sensor are mounted in physically separate locations. They are interconnected by connecting cables.

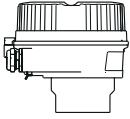

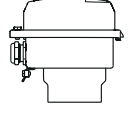

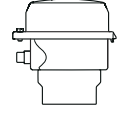

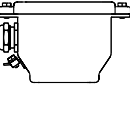

Transmitter

Two versions of the transmitter are available.

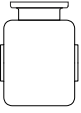
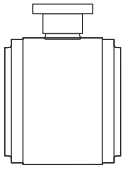
Proline 500 – digital	Proline 500
<p>For use in applications not required to meet special requirements due to ambient or operating conditions.</p>  <p>A Non-hazardous area or Zone 2; Class I, Division 2 B Non-hazardous area or Zone 2; Class I, Division 2 or Zone 1; Class I, Division 1 1 Transmitter 2 Connecting cable: cable, separate, standard 3 Sensor connection housing with integrated ISEM</p> <ul style="list-style-type: none"> Flexible and cost-effective separate installation. A standard cable can be used as the connecting cable. Electronics in the transmitter housing, ISEM (intelligent sensor electronics module) in the sensor connection housing Signal transmission: digital Order code for "Integrated ISEM electronics", option A "Sensor" 	<p>For use in applications required to meet special requirements due to ambient or operating conditions.</p>  <p>Non-hazardous area or Zone 2; Class I, Division 2 or Zone 1; Class I, Division 1 1 Transmitter with integrated ISEM 2 Coil current cable 3 Signal cable 4 Sensor connection housing</p> <ul style="list-style-type: none"> Electronics and ISEM (intelligent sensor electronics module) in the transmitter housing Signal transmission: analog Order code for "Integrated ISEM electronics", option B "Transmitter"
<p>Connecting cable (can be ordered in various lengths → 📄 139)</p>	
<ul style="list-style-type: none"> Length: max. 300 m (1000 ft) Standard cable with common shield (pair-stranded) Not sensitive to external EMC interference. 	<ul style="list-style-type: none"> Length: max. 200 m (656 ft), depends on the medium conductivity Two connecting cables: <ul style="list-style-type: none"> One cable for coil current with a common shield (1 pair) One cable for signal transmission with common shield and 4 individual shielded cores (4 coaxial cables)
<p>Hazardous area</p>	
<p>Use in: Zone 2; Class I, Division 2</p> <p>Mixed installation is possible:</p> <ul style="list-style-type: none"> Sensor: Zone 1; Class I, Division 1 Transmitter: Zone 2; Class I, Division 2 	<p>Use in: Zone 1; Class I, Division 1 or Zone 2; Class I, Division 2</p>
<p>Housing versions and materials</p>	
<ul style="list-style-type: none"> Transmitter housing <ul style="list-style-type: none"> Aluminum, coated: aluminum, AlSi10Mg, coated Material: polycarbonate Material of window in transmitter housing <ul style="list-style-type: none"> Aluminum, coated: glass Polycarbonate: plastic 	<ul style="list-style-type: none"> Transmitter housing <ul style="list-style-type: none"> Aluminum, coated: aluminum, AlSi10Mg, coated Window material: glass
<p>Configuration</p>	
<ul style="list-style-type: none"> External operation via 4-line, illuminated graphic local display (LCD) with touch control and guided menus ("Make-it-run" wizards) for application-specific commissioning. Via service interface or WLAN interface: <ul style="list-style-type: none"> Operating tools (e.g. FieldCare, DeviceCare) Web server (access via web browser) 	

Sensor connection housing

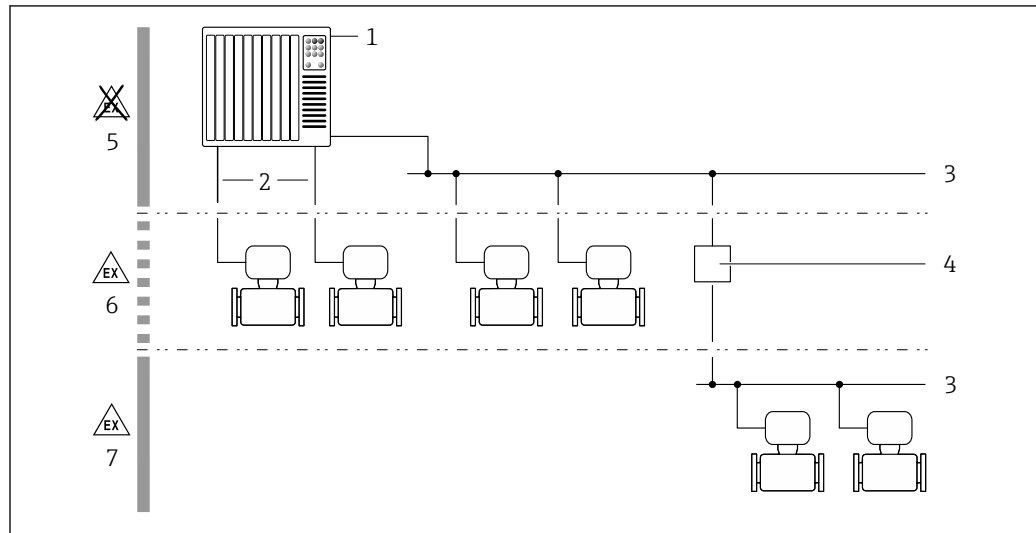
Different versions of the connection housing are available.

	<p>Order code for "Sensor connection housing", option A, "Aluminum, coated": Aluminum, AlSi10Mg, coated</p> <p> This device version is only available in conjunction with the Proline 500 – digital transmitter.</p>
	<p>Order code for "Sensor connection housing", option B, "Stainless": Hygienic version, stainless steel 1.4301 (304)</p> <p> This device version is only available in conjunction with the Proline 500 – digital transmitter.</p>
	<p>Order code for "Sensor connection housing", option C, "Ultra-compact hygienic, stainless": Hygienic version, stainless steel 1.4301 (304)</p> <p> This device version is only available in conjunction with the Proline 500 – digital transmitter.</p>
 <p style="text-align: right; font-size: small;">A0029683</p>	<p>Order code for "Sensor connection housing", option B, "Stainless, hygienic": Hygienic version, stainless steel 1.4301 (304)</p> <p> This device version is only available in conjunction with the Proline 500 transmitter.</p>

Sensor

<p>Promag H</p>  <p style="text-align: right; font-size: small;">A0019897</p>  <p style="text-align: right; font-size: small;">A0019898</p>	<p>Nominal diameter range: DN 2 to 150 (1/12 to 6")</p> <p>Materials:</p> <ul style="list-style-type: none"> ■ Sensor housing: stainless steel, 1.4301 (304) ■ Measuring tubes: stainless steel, 1.4301 (304) ■ Liner: PFA ■ Electrodes: stainless steel, 1.4435 (316L); Alloy C22, 2.4602 (UNS N06022); tantalum (Ta 2.5 W); platinum (Pt/Ir 20%) (only up to DN 25 (1")) ■ Process connections: stainless steel, 1.4404 (F316L); PVDF; PVC adhesive sleeve ■ Seals: <ul style="list-style-type: none"> ■ DN 2 to 25 (1/12 to 1"): O-ring seal (EPDM, FKM, Kalrez), aseptic gasket seal (EPDM, FKM, silicone) ■ DN 40 to 150 (1 1/2 to 6"): aseptic gasket seal (EPDM, FKM, silicone) ■ Grounding rings: stainless steel, 1.4435 (316L); Alloy C22, 2.4602 (UNS N06022); tantalum
--	--

Equipment architecture



A0027512

1 Possibilities for integrating measuring instruments into a system

- 1 Automation system (e.g. PLC)
- 2 Connection cable (0/4 to 20 mA HART etc.)
- 3 Fieldbus
- 4 Coupler
- 5 Non-hazardous area
- 6 Hazardous area: Zone 2; Class I, Division 2
- 7 Hazardous area: Zone 1; Class I, Division 1

Dependability

IT security

The manufacturer warranty is valid only if the product is installed and used as described in the Operating Instructions. The product is equipped with security mechanisms to protect it against any inadvertent changes to the settings.

IT security measures, which provide additional protection for the product and associated data transfer, must be implemented by the operators themselves in line with their security standards.

Device-specific IT security

The device offers a range of specific functions to support protective measures on the operator's side. These functions can be configured by the user and guarantee greater in-operation safety if used correctly. The following list provides an overview of the most important functions:

Function/interface	Factory setting	Recommendation
Write protection via hardware write protection switch → 9	Not enabled	On an individual basis following risk assessment
Access code (also applies to web server login or FieldCare connection) → 9	Not enabled (0000)	Assign a customized access code during commissioning
WLAN (order option in display module)	Enabled	On an individual basis following risk assessment
WLAN security mode	Enabled (WPA2-PSK)	Do not change
WLAN passphrase (Password) → 9	Serial number	Assign an individual WLAN passphrase during commissioning
WLAN mode	Access point	On an individual basis following risk assessment
Web server → 9	Enabled	On an individual basis following risk assessment
Service interface CDI-RJ45 → 10	Enabled	-

Protecting access via hardware write protection

Write access to the parameters of the device via the local display, web browser or operating tool (e.g. FieldCare, DeviceCare) can be disabled via a write protection switch (DIP switch on the main electronics module). When hardware write protection is enabled, only read access to the parameters is possible.

Hardware write protection is disabled when the device is delivered.

Protecting access via a password

Different passwords are available to protect write access to the device parameters or access to the device via the WLAN interface.

- **User-specific access code**
Protect write access to the device parameters via the local display, web browser or operating tool (e.g. FieldCare, DeviceCare). Access authorization is clearly regulated through the use of a user-specific access code.
- **WLAN passphrase**
The network key protects a connection between an operating unit (e.g. notebook or tablet) and the device via the WLAN interface which can be ordered as an option.
- **Infrastructure mode**
When the device is operated in infrastructure mode, the WLAN passphrase corresponds to the WLAN passphrase configured on the operator side.

User-specific access code

Local display, web browser and operating tool (e.g. FieldCare, DeviceCare)

- Write access to the device parameters via the local display, web browser or operating tool (e.g. FieldCare, DeviceCare) can be protected by the modifiable, user-specific access code.
- When delivered, the device does not have an access code; the default value is 0000 (open).

WLAN passphrase: Operation as WLAN access point

A connection between an operating unit (e.g. notebook or tablet) and the device via the WLAN interface, which can be ordered as an optional extra, is protected by the network key. The WLAN authentication of the network key complies with the IEEE 802.11 standard.

When the device is delivered, the network key is pre-defined depending on the device. It can be changed via the **WLAN settings** submenu in the **WLAN passphrase** parameter.

Infrastructure mode

A connection between the device and WLAN access point is protected by means of an SSID and passphrase on the system side. Please contact the relevant system administrator for access.

General notes on the use of passwords

- The access code and network key supplied with the device should be changed during commissioning for security reasons.
- Follow the general rules for generating a secure password when defining and managing the access code or network key.
- The user is responsible for the management and careful handling of the access code and network key.

Access via web server

The integrated web server can be used to operate and configure the device via a web browser. The connection is established via the service interface (CDI-RJ45) or WLAN interface. For device versions with the Ethernet/IP and PROFINET communication protocols, the connection can also be established via the terminal connection for signal transmission with Ethernet/IP, PROFINET (RJ45 plug), PROFINET over Ethernet-APL (two-wire) or Modbus TCP over Ethernet-APL.

The web server is enabled when the device is delivered. The web server can be disabled if necessary via the **Web server functionality** parameter (e.g., after commissioning).

The device and status information can be hidden on the login page. This prevents unauthorized access to the information.



For detailed information on device parameters, see: Description of Device Parameters.

Access via OPC UA



The "OPC UA Server" application package is available in the device version with the HART communication protocol → 139.

The device can communicate with OPC UA clients using the "OPC UA Server" application package.

The OPC UA server integrated in the device can be accessed via the WLAN access point using the WLAN interface - which can be ordered as an optional extra - or the service interface (CDI-RJ45) via Ethernet network. Access rights and authorization as per separate configuration.

The following Security Modes are supported as per the OPC UA Specification (IEC 62541):

- Without
- Basic128Rsa15 – signed
- Basic128Rsa15 – signed and encrypted

Access via service interface (port 2): CDI-RJ45

The device can be connected to a network via the service interface. Device-specific functions guarantee the secure operation of the device in a network.

The use of relevant industrial standards and guidelines that have been defined by national and international safety committees, such as IEC/ISA62443 or the IEEE, is recommended. This includes organizational security measures such as the assignment of access authorization as well as technical measures such as network segmentation.



PROFINET, Ethernet/IP:

The device can be integrated into a ring topology. The device is integrated via the terminal connection for signal transmission, output 1 (port 1) and the terminal connection to the service interface (port 2) → 128.



For detailed information on connecting transmitters with an Ex de approval, see separate document "Safety instructions" (XA) for the device.

Advanced safety requirements

If the specified requirements for measures cannot be met, alternative measures may need to be put in place. This may involve, for example, mechanical protection of the product against tampering, the cabling, or organizational measures. The Proline measuring instruments can be used in the open field for example. Measures to combat physical tampering of the Proline measuring instruments must be arranged by the customer.

Additional analysis is required if Proline measuring instruments are integrated into a different system. Please note the following:

- The fieldbus network (OT) and company network (IT) must be strictly separated.
- Endress+Hauser recommends the segmentation of the fieldbus networks according to DIN IEC 62443-3-3.

Network

Pay particular attention to the network components used, the router and switches for example. The operator must guarantee the integrity of the components. Access to the network must be restricted by the operator, if necessary.

FDI Packages

Signed FDI Packages can be obtained via www.endress.com for the configuration of the field device.

User training

Depending on the application scenario, users who are not specialized in this area may come in contact with the instrument. We recommend that these users be trained in the safe use of the relevant terminals, components and/or interfaces and be made aware of security issues.

Input

Measured variable

Direct measured variables

- Volume flow (proportional to induced voltage)
- Temperature ¹⁾
- Electrical conductivity

Calculated measured variables

- Mass flow
- Corrected volume flow
- Corrected electrical conductivity ¹⁾

Measuring range

Typically $v = 0.01$ to 10 m/s (0.03 to 33 ft/s) with the specified measurement accuracy

Flow characteristic values in SI units: DN 2 to 125 ($\frac{1}{12}$ to 5")

Nominal diameter		Recommended flow min./max. full scale value ($v \sim 0.3/10$ m/s) [dm ³ /min]	Factory settings		
[mm]	[in]		Full scale value current output ($v \sim 2.5$ m/s) [dm ³ /min]	Pulse value (~ 2 pulse/s) [dm ³]	Low flow cut off ($v \sim 0.04$ m/s) [dm ³ /min]
2	$\frac{1}{12}$	0.06 to 1.8	0.5	0.005	0.01
4	$\frac{5}{32}$	0.25 to 7	2	0.025	0.05
8	$\frac{5}{16}$	1 to 30	8	0.1	0.1
15	$\frac{1}{2}$	4 to 100	25	0.2	0.5
25 ¹⁾	1	9 to 300	75	0.5	1
40	1 $\frac{1}{2}$	25 to 700	200	1.5	3
50	2	35 to 1 100	300	2.5	5
65	–	60 to 2 000	500	5	8
80	3	90 to 3 000	750	5	12
100	4	145 to 4 700	1200	10	20
125	5	220 to 7 500	1850	15	30

1) The values apply for the product version: 5HxB26

Flow characteristic values in SI units: DN 150 (6")

Nominal diameter		Recommended flow min./max. full scale value ($v \sim 0.3/10$ m/s) [m ³ /h]	Factory settings		
[mm]	[in]		Full scale value current output ($v \sim 2.5$ m/s) [m ³ /h]	Pulse value (~ 2 pulse/s) [m ³]	Low flow cut off ($v \sim 0.04$ m/s) [m ³ /h]
150	6	20 to 600	150	0.03	2.5

1) Available only for nominal diameters DN 15 to 150 ($\frac{1}{2}$ to 6") and with the order code for "Sensor option", option CI "Medium temperature measurement".

Flow characteristic values in US units: 1/12 - 6" (DN 2 - 150)

Nominal diameter		Recommended flow min./max. full scale value (v ~ 0.3/10 m/s) [gal/min]	Full scale value current output (v ~ 2.5 m/s) [gal/min]	Factory settings	
[in]	[mm]			Pulse value (~ 2 pulse/s) [gal]	Low flow cut off (v ~ 0.04 m/s)) [gal/min]
1/12	2	0.015 to 0.5	0.1	0.001	0.002
1/32	4	0.07 to 2	0.5	0.005	0.008
5/16	8	0.25 to 8	2	0.02	0.025
1/2	15	1 to 27	6	0.05	0.1
1 ¹⁾	25	2.5 to 80	18	0.2	0.25
1 1/2	40	7 to 190	50	0.5	0.75
2	50	10 to 300	75	0.5	1.25
3	80	24 to 800	200	2	2.5
4	100	40 to 1250	300	2	4
5	125	60 to 1950	450	5	7
6	150	90 to 2 650	600	5	12

1) The values apply for the product version: 5HxB26

Recommended measuring range



Flow limit → 80

Operable flow range

Over 1000 : 1

Input signal

Output and input variants

→ 14

External measured values

To increase the measurement accuracy of certain measured variables or to calculate the mass flow, the automation system can continuously write different measured values to the measuring instrument:

- Medium temperature enables temperature-compensated conductivity measurement (e.g. iTEMP)
- Reference density for calculating the mass flow



Various pressure and temperature measuring devices can be ordered from Endress+Hauser: see "Accessories" section → 142

It is recommended to read in external measured values to calculate the corrected volume flow.

HART protocol

The measured values are written from the automation system to the measuring device via the HART protocol. The pressure transmitter must support the following protocol-specific functions:

- HART protocol
- Burst mode

Current input

The measured values are written from the automation system to the measuring device via the current input → 13.

Digital communication

The measured values can be written by the automation system via:

- FOUNDATION Fieldbus
- PROFIBUS DP
- PROFIBUS PA
- Modbus RS485
- Modbus TCP over Ethernet-APL
- EtherNet/IP
- PROFINET
- PROFINET over Ethernet-APL

Current input 0/4 to 20 mA

Current input	0/4 to 20 mA (active/passive)
Current span	<ul style="list-style-type: none"> ■ 4 to 20 mA (active) ■ 0/4 to 20 mA (passive)
Resolution	1 µA
Voltage drop	Typically: 0.6 to 2 V for 3.6 to 22 mA (passive)
Maximum input voltage	≤ 30 V (passive)
Open-circuit voltage	≤ 28.8 V (active)
Possible input variables	<ul style="list-style-type: none"> ■ Temperature ■ Density

Status input

Maximum input values	<ul style="list-style-type: none"> ■ DC -3 to 30 V ■ If status input is active (ON): $R_i > 3 \text{ k}\Omega$
Response time	Configurable: 5 to 200 ms
Input signal level	<ul style="list-style-type: none"> ■ Low signal: DC -3 to +5 V ■ High signal: DC 12 to 30 V
Assignable functions	<ul style="list-style-type: none"> ■ Off ■ Reset the individual totalizers separately ■ Reset all totalizers ■ Flow override

Output

Output and input variants

Depending on the option selected for output/input 1, different options are available for the other outputs and inputs. Only one option can be selected for each output/input 1 to 4. The following tables must be read vertically (↓).

Example: If the option BA "4–20 mA HART" was selected for output/input 1, one of the options A, B, D, E, F, H, I or J is available for output 2 and one of the options A, B, D, E, F, H, I or J is available for output 3 and 4.

Output/input 1 and options for output/input 2





Options for output/input 3 and 4 → 15

Order code for "Output; input 1" (020) →	Possible options														
Current output 4 to 20 mA HART	BA														
Current output 4 to 20 mA HART Ex i passive	↓	CA													
Current output 4 to 20 mA HART Ex i active		↓	CC												
FOUNDATION fieldbus			↓	SA											
FOUNDATION fieldbus Ex i				↓	TA										
PROFIBUS DP					↓	LA									
PROFIBUS PA						↓	GA								
PROFIBUS PA Ex i							↓	HA							
Modbus RS485								↓	MA						
EtherNet/IP 2-port switch integrated									↓	NA					
PROFINET 2-port switch integrated										↓	RA				
PROFINET over Ethernet-APL											↓	RB			
PROFINET over Ethernet-APL Ex i												↓	RC		
Modbus TCP over Ethernet-APL 10 Mbit/s, SPE 10 Mbit/s, Ethernet 100 Mbit/s													↓	MB	
Modbus TCP over Ethernet-APL, Ex i, 10 Mbit/s, Ethernet 100 Mbit/s														↓	MC
Order code for "Output; input 2" (021) →	↓	↓	↓	↓	↓	↓	↓	↓	↓	↓	↓	↓	↓	↓	↓
Not used	A	A	A	A	A	A	A	A	A	A	A	A	A	A	A
Current output 4 to 20 mA	B			B		B	B		B	B	B	B		B	
Current output 4 to 20 mA Ex i passive		C	C		C			C					C		C
User-configurable input/output ¹⁾	D			D		D	D		D	D	D	D		D	
Pulse/frequency/switch output	E			E		E	E		E	E	E	E		E	
Double pulse output ²⁾	F								F						
Pulse/frequency/switch output Ex i passive		G	G		G			G					G		G
Relay output	H			H		H	H		H	H	H	H		H	
Current input 0/4 to 20 mA	I			I		I	I		I	I	I	I		I	
Status input	J			J		J	J		J	J	J	J		J	

1) A specific input or output can be assigned to a user-configurable input/output → 22.

2) If double pulse output (F) is selected for output/input 2 (021), only the double pulse output (F) option is available for selection for output/input 3 (022).

Output/input 1 and options for output/input 3 and 4

 Options for output/input 2 →  14

Order code for "Output; input 1" (020) →	Possible options														
Current output 4 to 20 mA HART	BA														
Current output 4 to 20 mA HART Ex i passive	↓	CA													
Current output 4 to 20 mA HART Ex i active		↓	CC												
FOUNDATION fieldbus			↓	SA											
FOUNDATION fieldbus Ex i				↓	TA										
PROFIBUS DP					↓	LA									
PROFIBUS PA						↓	GA								
PROFIBUS PA Ex i							↓	HA							
Modbus RS485								↓	MA						
Ethernet/IP 2-port switch integrated									↓	NA					
PROFINET 2-port switch integrated										↓	RA				
PROFINET over Ethernet-APL 10 Mbit/s, 2-wire											↓	RB			
PROFINET over Ethernet-APL Ex i, 10 Mbit/s, 2-wire												↓	RC		
Modbus TCP over Ethernet-APL 10 Mbit/s, SPE 10 Mbit/s, Ethernet 100 Mbit/s													↓	MB	
Modbus TCP over Ethernet-APL, Ex i, 10 Mbit/s, Ethernet 100 Mbit/s														↓	MC
Order code for "Output; input 3" (022), "Output; input 4" (023) ¹⁾ →	↓	↓	↓	↓	↓	↓	↓	↓	↓	↓	↓	↓	↓	↓	↓
Not used	A	A	A	A	A	A	A	A	A	A	A	A	A	A	A
Current output 4 to 20 mA	B						B			B	B	B	B		B
Current output 4 to 20 mA Ex i passive ²⁾		C	C												
User-configurable input/output	D						D			D	D	D	D		D
Pulse/frequency/switch output	E						E			E	E	E	E		E
Double pulse output (slave) ³⁾	F									F					
Pulse/frequency/switch output Ex i passive ⁴⁾		G	G												
Relay output	H						H			H	H	H	H		H
Current input 0/4 to 20 mA	I						I			I	I	I	I		I
Status input	J						J			J	J	J	J		J

- 1) The order code for "Output; input 4" (023) is only available for the Proline 500-digital transmitter, order code for "Integrated ISEM electronics", option A.
- 2) The current output 4 to 20 mA Ex i passive (C) option is not available for input/output 4.
- 3) The double pulse output (F) option is not available for input/output 4.
- 4) The pulse/frequency/switch output Ex i passive (G) option is not available for input/output 4.

Output signal

Current output 4 to 20 mA HART

Order code	"Output; input 1" (20): Option BA: current output 4 to 20 mA HART
Signal mode	Can be set to: <ul style="list-style-type: none"> ■ Active ■ Passive
Current range	Can be set to: <ul style="list-style-type: none"> ■ 4 to 20 mA NAMUR ■ 4 to 20 mA US ■ 4 to 20 mA ■ 0 to 20 mA (only if the signal mode is active) ■ Fixed current
Open-circuit voltage	DC 28.8 V (active)
Maximum input voltage	DC 30 V (passive)
Load	250 to 700 Ω
Resolution	0.38 μ A
Damping	Configurable: 0 to 999.9 s
Assignable measured variables	<ul style="list-style-type: none"> ■ Volume flow ■ Mass flow ■ Corrected volume flow ■ Flow velocity ■ Conductivity ■ Corrected conductivity ■ Temperature ■ Electronics temperature

Current output 4 to 20 mA HART Ex i

Order code	"Output; input 1" (20) choose from: <ul style="list-style-type: none"> ■ Option CA: current output 4 to 20 mA HART Ex i passive ■ Option CC: current output 4 to 20 mA HART Ex i active
Signal mode	Depends on the selected order version.
Current range	Can be set to: <ul style="list-style-type: none"> ■ 4 to 20 mA NAMUR ■ 4 to 20 mA US ■ 4 to 20 mA ■ 0 to 20 mA (only if the signal mode is active) ■ Fixed current
Open-circuit voltage	DC 21.8 V (active)
Maximum input voltage	DC 30 V (passive)
Load	<ul style="list-style-type: none"> ■ 250 to 400 Ω (active) ■ 250 to 700 Ω (passive)
Resolution	0.38 μ A
Damping	Configurable: 0 to 999.9 s
Assignable measured variables	<ul style="list-style-type: none"> ■ Volume flow ■ Mass flow ■ Corrected volume flow ■ Flow velocity ■ Conductivity ■ Corrected conductivity ■ Temperature ■ Electronics temperature

FOUNDATION Fieldbus

FOUNDATION Fieldbus	H1, IEC 61158-2, galvanically isolated
Data transfer	31.25 kbit/s
Current consumption	10 mA
Permitted supply voltage	9 to 32 V
Bus connection	With integrated reverse polarity protection

PROFIBUS DP

Signal encoding	NRZ code
Data transfer	9.6 kBaud...12 MBaud
Terminating resistor	Integrated, can be activated via DIP switches

PROFIBUS PA

PROFIBUS PA	In accordance with EN 50170 Volume 2, IEC 61158-2 (MBP), galvanically isolated
Data transmission	31.25 kbit/s
Current consumption	10 mA
Permitted supply voltage	9 to 32 V
Bus connection	With integrated reverse polarity protection

Modbus RS485

Physical interface	RS485 in accordance with EIA/TIA-485 standard
Terminating resistor	Integrated, can be activated via DIP switches

Modbus TCP over Ethernet-APL

Port 1: Modbus TCP over Ethernet-APL 10 Mbit/s	
Device usage	<p>Device connection to an APL field switch (terminal 26/27) The device may only be operated according to the following APL port classifications:</p> <ul style="list-style-type: none"> ▪ If used in hazardous areas: SLAA or SLAC ¹⁾ ▪ If used in non-hazardous areas: SLAX <p>Connection values of APL field switch (corresponds to APL port classification SPCC or SPAA, for instance):</p> <ul style="list-style-type: none"> ▪ Maximum input voltage: 15 V_{DC} ▪ Minimum output values: 0.54 W <p>Device connection to an SPE switch</p> <ul style="list-style-type: none"> ▪ In non-hazardous areas, the device can be used with an appropriate SPE switch: <ul style="list-style-type: none"> ▪ Maximum output voltage: 30 V_{DC} ▪ Minimum output power: 1.85 W ▪ The SPE switch must support the 10BASE-T1L standard and PoDL power classes 10, 11 or 12 and have a function to disable power class detection.
Standards	According to IEEE 802.3cg, APL port profile specification v1.0, galvanically isolated
Data transfer	Full-duplex (APL/SPE)
Current consumption	Terminal 26/27 max. approx. 45 mA

Permitted supply voltage	9 to 30 V
Bus connection	Terminal 26/27 with integrated reverse polarity protection

1) For more information on using the device in the hazardous area, see the Ex-specific Safety Instructions

Port 2: Modbus TCP over Ethernet 100 Mbit/s	
Device usage	Device connection to a Fast Ethernet (RJ45) switch In non-hazardous areas, the Ethernet switch must support the standard 100BASE-TX.
Standards	In accordance with IEEE 802.3u
Data transfer	Half-duplex, full-duplex
Current consumption	-
Permitted supply voltage	-
Bus connection	Service interface (RJ45)

EtherNet/IP

Standards	In accordance with IEEE 802.3
------------------	-------------------------------

PROFINET

Standards	In accordance with IEEE 802.3
------------------	-------------------------------

PROFINET over Ethernet-APL

Device use	<p>Device connection to an APL field switch The device may only be operated according to the following APL port classifications:</p> <ul style="list-style-type: none"> ▪ If used in hazardous areas: SLAA or SLAC ¹⁾ ▪ If used in non-hazardous areas: SLAX <p>Connection values of APL field switch (corresponds to APL port classification SPCC or SPAA, for instance):</p> <ul style="list-style-type: none"> ▪ Maximum input voltage: 15 V_{DC} ▪ Minimum output values: 0.54 W <p>Device connection to an SPE switch</p> <ul style="list-style-type: none"> ▪ In non-hazardous areas, the device can be used with an appropriate SPE switch: The device can be connected to an SPE switch with a maximum voltage of 30 V_{DC} and a minimum output power of 1.85 W connected. ▪ The SPE switch must support the 10BASE-T1L standard and PoDL power classes 10, 11 or 12 and have a function to disable power class detection.
PROFINET	According to IEC 61158 and IEC 61784
Ethernet-APL	According to IEEE 802.3cg, APL port profile specification v1.0, galvanically isolated
Data transfer	10 Mbit/s
Current consumption	<p>Transmitter</p> <ul style="list-style-type: none"> ▪ Max. 400 mA (24 V) ▪ Max. 200 mA (110 V, 50/60 Hz; 230 V, 50/60 Hz)
Permitted supply voltage	9 to 30 V
Network connection	With integrated reverse polarity protection

1) For more information on using the device in the hazardous area, see the Ex-specific Safety Instructions


Current output 4 to 20 mA

Order code	"Output; input 2" (21), "Output; input 3" (022) or "Output; input 4" (023): Option B: current output 4 to 20 mA
Signal mode	Can be set to: <ul style="list-style-type: none"> ■ Active ■ Passive
Current range	Can be set to: <ul style="list-style-type: none"> ■ 4 to 20 mA NAMUR ■ 4 to 20 mA US ■ 4 to 20 mA ■ 0 to 20 mA (only if the signal mode is active) ■ Fixed current
Maximum output values	22.5 mA
Open-circuit voltage	DC 28.8 V (active)
Maximum input voltage	DC 30 V (passive)
Load	0 to 700 Ω
Resolution	0.38 μA
Damping	Configurable: 0 to 999.9 s
Assignable measured variables	<ul style="list-style-type: none"> ■ Volume flow ■ Mass flow ■ Corrected volume flow ■ Flow velocity ■ Conductivity ■ Corrected conductivity ■ Temperature ■ Electronics temperature

Current output 4 to 20 mA Ex i passive

Order code	"Output; input 2" (21), "Output; input 3" (022): Option C: current output 4 to 20 mA Ex i passive
Signal mode	Passive
Current range	Can be set to: <ul style="list-style-type: none"> ■ 4 to 20 mA NAMUR ■ 4 to 20 mA US ■ 4 to 20 mA ■ Fixed current
Maximum output values	22.5 mA
Maximum input voltage	DC 30 V
Load	0 to 700 Ω
Resolution	0.38 μA
Damping	Configurable: 0 to 999 s
Assignable measured variables	<ul style="list-style-type: none"> ■ Volume flow ■ Mass flow ■ Corrected volume flow ■ Flow velocity ■ Conductivity ■ Corrected conductivity ■ Temperature ■ Electronics temperature

Pulse/frequency/switch output

Function	Can be configured as pulse, frequency or switch output
Version	Open collector Can be set to: <ul style="list-style-type: none"> ■ Active ■ Passive ■ Passive NAMUR  Ex-i, passive
Maximum input values	DC 30 V, 250 mA (passive)
Open-circuit voltage	DC 28.8 V (active)
Voltage drop	For 22.5 mA: ≤ DC 2 V
Pulse output	
Maximum input values	DC 30 V, 250 mA (passive)
Maximum output current	22.5 mA (active)
Open-circuit voltage	DC 28.8 V (active)
Pulse width	Configurable: 0.05 to 2 000 ms
Maximum pulse rate	10 000 Impulse/s
Pulse value	Configurable
Assignable measured variables	<ul style="list-style-type: none"> ■ Volume flow ■ Mass flow ■ Corrected volume flow
Frequency output	
Maximum input values	DC 30 V, 250 mA (passive)
Maximum output current	22.5 mA (active)
Open-circuit voltage	DC 28.8 V (active)
Output frequency	Configurable: end value frequency 2 to 10 000 Hz ($f_{max} = 12\,500$ Hz)
Damping	Configurable: 0 to 999.9 s
Pulse/pause ratio	1:1
Assignable measured variables	<ul style="list-style-type: none"> ■ Volume flow ■ Mass flow ■ Corrected volume flow ■ Flow velocity ■ Conductivity ■ Corrected conductivity ■ Temperature ■ Electronics temperature
Switch output	
Maximum input values	DC 30 V, 250 mA (passive)
Open-circuit voltage	DC 28.8 V (active)
Switching behavior	Binary, conductive or non-conductive
Switching delay	Configurable: 0 to 100 s

Number of switching cycles	Unlimited
Assignable functions	<ul style="list-style-type: none"> ▪ OFF ▪ ON ▪ Diagnostic behavior ▪ Limit value: <ul style="list-style-type: none"> ▪ OFF ▪ Volume flow ▪ Mass flow ▪ Corrected volume flow ▪ Flow velocity ▪ Conductivity ▪ Corrected conductivity ▪ Totalizer 1-3 ▪ Temperature ▪ Electronics temperature ▪ Flow direction monitoring ▪ Status <ul style="list-style-type: none"> ▪ Empty pipe detection ▪ Buildup index ▪ HBSI limit value exceeded ▪ Low flow cut off

Double pulse output

Function	Double pulse
Version	Open collector Can be set to: <ul style="list-style-type: none"> ▪ Active ▪ Passive ▪ Passive NAMUR
Maximum input values	DC 30 V, 250 mA (passive)
Open-circuit voltage	DC 28.8 V (active)
Voltage drop	For 22.5 mA: ≤ DC 2 V
Output frequency	Configurable: 0 to 1000 Hz
Damping	Configurable: 0 to 999 s
Pulse/pause ratio	1:1
Assignable measured variables	<ul style="list-style-type: none"> ▪ Volume flow ▪ Mass flow ▪ Corrected volume flow ▪ Flow velocity ▪ Conductivity ▪ Corrected conductivity ▪ Temperature ▪ Electronics temperature

Relay output

Function	Switching output
Version	Relay output, galvanically isolated
Switching behavior	Can be set to: <ul style="list-style-type: none"> ▪ NO (normally open), factory setting ▪ NC (normally closed)

Maximum switching capacity (passive)	<ul style="list-style-type: none"> ▪ DC 30 V, 0.1 A ▪ AC 30 V, 0.5 A
Assignable functions	<ul style="list-style-type: none"> ▪ OFF ▪ ON ▪ Diagnostic behavior ▪ Limit value: <ul style="list-style-type: none"> ▪ OFF ▪ Volume flow ▪ Mass flow ▪ Corrected volume flow ▪ Flow velocity ▪ Conductivity ▪ Corrected conductivity ▪ Totalizer 1-3 ▪ Temperature ▪ Electronics temperature ▪ Flow direction monitoring ▪ Status <ul style="list-style-type: none"> ▪ Empty pipe detection ▪ Buildup index ▪ HBSI limit value exceeded ▪ Low flow cut off

User-configurable input/output

One specific input or output is assigned to a user-configurable input/output (configurable I/O) during device commissioning.

The following inputs and outputs are available for assignment:

- Choice of current output: 4 to 20 mA (active), 0/4 to 20 mA (passive)
- Pulse/frequency/switch output
- Choice of current input: 4 to 20 mA (active), 0/4 to 20 mA (passive)
- Status input

The technical values correspond to those of the inputs and outputs described in this section.

Failure signal

Depending on the interface, failure information is displayed as follows:

HART current output

Device diagnostics	Device condition can be read out via HART Command 48
---------------------------	--

PROFIBUS PA

Status and alarm messages	Diagnostics in accordance with PROFIBUS PA Profile 3.02
Failure current FDE (Fault Disconnection Electronic)	0 mA

PROFIBUS DP

Status and alarm messages	Diagnostics in accordance with PROFIBUS PA Profile 3.02
----------------------------------	---

EtherNet/IP

Device diagnostics	Device condition can be read out in Input Assembly
---------------------------	--

PROFINET

Device diagnostics	According to "Application Layer protocol for decentralized periphery", Version 2.3
--------------------	--

PROFINET over Ethernet-APL

Device diagnostics	Diagnostics according to PROFINET PA Profile 4.02
--------------------	---

FOUNDATION Fieldbus

Status and alarm messages	Diagnostics in accordance with FF-891
Failure current FDE (Fault Disconnection Electronic)	0 mA

Modbus RS485

Failure mode	Choose from: <ul style="list-style-type: none"> ▪ NaN value instead of current value ▪ Last valid value
--------------	---

Modbus TCP over Ethernet-APL/SPE/Fast Ethernet

Failure mode	Choose from: <ul style="list-style-type: none"> ▪ NaN value instead of current value ▪ Last valid value
--------------	---

Current output

Current output 4-20 mA	
Failure mode	Configurable: <ul style="list-style-type: none"> ▪ 4 to 20 mA in accordance with NAMUR recommendation NE 43 ▪ 4 to 20 mA in accordance with US ▪ Min. value: 3.59 mA ▪ Max. value: 22.5 mA ▪ Definable value between: 3.59 to 22.5 mA ▪ Actual value ▪ Last valid value
Current output 4-20 mA	
Failure mode	Configurable: <ul style="list-style-type: none"> ▪ Maximum alarm: 22 mA ▪ Definable value between: 0 to 20.5 mA

Pulse/frequency/switch output

Pulse output	
Failure mode	Configurable: <ul style="list-style-type: none"> ▪ Actual value ▪ No pulses
Frequency output	
Failure mode	Configurable: <ul style="list-style-type: none"> ▪ Actual value ▪ 0 Hz ▪ Definable value between: 2 to 12 500 Hz

Switch output	
Failure mode	Configurable: <ul style="list-style-type: none"> ▪ Current status ▪ Open ▪ Closed

Relay output

Failure mode	Choose from: <ul style="list-style-type: none"> ▪ Current status ▪ Open ▪ Closed
--------------	---



Local display

Plain text display	With information on cause and remedial measures
Backlight	Red lighting indicates a device error.

 Status signal as per NAMUR recommendation NE 107

Interface/protocol

- Via digital communication:
 - HART protocol
 - FOUNDATION Fieldbus
 - PROFIBUS PA
 - PROFIBUS DP
 - Modbus RS485
 - Modbus TCP over Ethernet-APL
 - EtherNet/IP
 - PROFINET
 - PROFINET over Ethernet-APL
- Via service interface
 - Service interface CDI-RJ45
 - Via service interface/port 2: (RJ45)
 - WLAN interface
- Plain text display
 - With information on cause and remedial actions
 - Modbus TCP

 Additional information on remote operation →  122

Web browser

Plain text display	With information on cause and remedial measures
--------------------	---

LEDs

Status information	Status indicated by various LEDs The following information is displayed depending on the device version: <ul style="list-style-type: none"> ■ Supply voltage active ■ Data transmission active ■ Device alarm/error has occurred ■ Network available ¹⁾ ■ Connection established ¹⁾ ■ Diagnostic status ²⁾ ■ PROFINET blinking feature ³⁾
---------------------------	---

- 1) Only available for PROFINET, PROFINET over Ethernet-APL, Modbus over Ethernet-APL, Ethernet/IP
 2) Only available for Modbus over Ethernet-APL
 3) Only available for PROFINET, PROFINET over Ethernet-APL,

Load Output signal → 16

Ex connection data Safety-related values

Order code for "Output; input 1"	Output type	Safety-related values	
		Output; input 1 (Port 1)	Service interface (Port 2)
Option BA	Current output 4-20 mA HART	$U_N = 30 V_{DC}$ $U_M = 250 V_{AC}$	$U_N = 3.3 V_{AC}$ $U_M = 250 V_{AC}$
Option GA	PROFIBUS PA	$U_N = 32 V_{DC}$ $U_M = 250 V_{AC}$	$U_N = 3.3 V_{AC}$ $U_M = 250 V_{AC}$
Option LA	PROFIBUS DP	$U_N = 5 V$ $U_M = 250 V_{AC}$	$U_N = 3.3 V_{AC}$ $U_M = 250 V_{AC}$
Option MA	Modbus RS485	$U_N = 5 V$ $U_M = 250 V_{AC}$	$U_N = 3.3 V_{AC}$ $U_M = 250 V_{AC}$
Option MB	Modbus TCP over Ethernet-APL 10 Mbit/s, SPE 10 Mbit/s, Ethernet 100 Mbit/s	APL port profile SLAX SPE PoDL classes 10, 11, 12 $U_N = 30 V_{DC}$ $U_M = 250 V_{AC}$	$U_N = 3.3 V_{AC}$ $U_M = 250 V_{AC}$
Option NA	EtherNet/IP	$U_N = 3.3 V_{AC}$ $U_M = 250 V_{AC}$	$U_N = 3.3 V_{AC}$ $U_M = 250 V_{AC}$
Option RA	PROFINET	$U_N = 3.3 V_{AC}$ $U_M = 250 V_{AC}$	$U_N = 3.3 V_{AC}$ $U_M = 250 V_{AC}$
Option RB	PROFINET over Ethernet-APL/SPE, 10Mbit/s	APL port profile SLAX SPE PoDL classes 10, 11, 12 $U_N = 30 V_{DC}$ $U_M = 250 V_{AC}$	$U_N = 3.3 V_{AC}$ $U_M = 250 V_{AC}$
Option SA	FOUNDATION Fieldbus	$U_N = 32 V_{DC}$ $U_M = 250 V_{AC}$	$U_N = 3.3 V_{AC}$ $U_M = 250 V_{AC}$

The specifications for U_M only apply to devices with Ex i circuits. Zone 1; Class I, Division 1 devices; Zone 2; Class I Division 2 devices with Ex i sensor.

Order code for "Output; input 2" "Output; input 3" "Output; input 4"	Output type	Safety-related values		
		Output; input 2	Output; input 3	Output; input 4
Option B	Current output 4-20 mA	$U_N = 30 V_{DC}$ $U_M = 250 V_{AC}$		
Option D	Configurable I/O initial setting off	$U_N = 30 V_{DC}$ $U_M = 250 V_{AC}$		
Option E	Pulse/frequency/switch output	$U_N = 30 V_{DC}$ $U_M = 250 V_{AC}$		

Order code for "Output; input 2" "Output; input 3" "Output; input 4"	Output type	Safety-related values		
		Output; input 2	Output; input 3	Output; input 4
Option F	Double pulse output	$U_N = 30 V_{DC}$ $U_M = 250 V_{AC}$		
Option H	Relay output	$U_N = 30 V_{DC}$ $I_N = 100 mA_{DC}/500 mA_{AC}$ $U_M = 250 V_{AC}$		
Option I	Current input 4-20 mA	$U_N = 30 V_{DC}$ $U_M = 250 V_{AC}$		
Option J	Status input	$U_N = 30 V_{DC}$ $U_M = 250 V_{AC}$		

Intrinsically safe values

Zone 1, Zone 21			
Order code for "Output; input 1"	Output type	Intrinsically safe values	
		Output; input 1 (Port 1)	Service interface (Port 2)
Option CA	Current output 4-20mA HART Ex-i passive	Ex ic Ex ia ¹⁾ $U_i = 30 V$ $I_i = 100 mA$ $P_i = 1.25 W$ $L_i = 0 \mu H$ $C_i = 6 nF$	Ex ia ¹⁾ $U_i = 10 V$ $I_i = n. a.$ $P_i = n. a.$ $L_i = 0 \mu H$ $C_i = 200 nF$
		Ex ic ²⁾ Ex ic (NIFW) ³⁾ $U_i = 30 V$ $I_i = 100 mA$ $P_i = 1.25 W$ $L_i = 0 \mu H$ $C_i = 6 nF$	Non-intrinsically safe ⁴⁾
Option CC	Current output 4-20mA HART Ex-i active	Ex ia ¹⁾ $U_0 = 21.8 V$ $I_0 = 90 mA$ $P_0 = 491 mW$ $L_0 = 4.1 mH(IIC)/15 mH(IIB)$ $C_0 = 160 nF(IIC)/1160 nF(IIB)$ $U_i = 30 V$ $I_i = 10 mA$ $P_i = 0.3 W$ $L_i = 5 \mu H$ $C_i = 6 nF$	Ex ia ¹⁾ $U_i = 10 V$ $I_i = n. a.$ $P_i = n. a.$ $L_i = 0 \mu H$ $C_i = 200 nF$
		Ex ic ²⁾ Ex ic (NIFW) ³⁾ $U_0 = 21.8 V$ $I_0 = 90 mA$ $P_i = 491 mW$ $L_0 = 9 mH(IIC)/39 mH(IIB)$ $C_0 = 600 nF(IIC)/4000 nF(IIB)$ $U_i = 30 V$ $I_i = 10 mA$ $P_i = 0.3 W$ $C_i = 6 nF$	Non-intrinsically safe ⁴⁾

Zone 1, Zone 21			
Order code for "Output; input 1"	Output type	Intrinsically safe values	
		Output; input 1 (Port 1)	Service interface (Port 2)
Option HA	PROFIBUS PA Ex i (STANDARD + FISCO)	Ex ia ¹⁾ $U_i = 30 \text{ V}$ $I_i = 570 \text{ mA}$ $P_i = 8.5 \text{ W}$ $L_i = 10 \text{ } \mu\text{H}$ $C_i = 5 \text{ nF}$	Ex ia ¹⁾ $U_i = 10 \text{ V}$ $I_i = \text{n. a.}$ $P_i = \text{n. a.}$ $L_i = 0 \text{ } \mu\text{H}$ $C_i = 200 \text{ nF}$
		Ex ic ²⁾ Ex ic (NIFW) ³⁾ $U_i = 32 \text{ V}$ $I_i = 570 \text{ mA}$ $P_i = 8.5 \text{ W}$ $L_i = 10 \text{ } \mu\text{H}$ $C_i = 5 \text{ nF}$	Non-intrinsically safe ⁴⁾

Zone 1, Zone 21			
Order code for "Output; input 1"	Output type	Intrinsically safe values	
		Output; input 1 (Port 1)	Service interface (Port 2)
Option MC	Modbus TCP over Ethernet-APL, Ex-i, 10Mbit/s	2-WISE power load, APL port profile SLAA ⁵⁾ Ex ia ¹⁾ $U_i = 17.5 \text{ V}$ $I_i = 380 \text{ mA}$ $P_i = 5.32 \text{ W}$ $L_i = 10 \text{ } \mu\text{H}$ $C_i = 5 \text{ nF}$ Cable specifications according to 2-WISE: $R_c = 15 \text{ to } 150 \text{ } \Omega/\text{km}$ $L_c = 0.4 \text{ to } 1 \text{ mH/km}$ $C_c = 45 \text{ to } 200 \text{ nF/km}$ $C_c = C_c \text{ line/line} + 0,5 C_c \text{ line/screen}$, if both lines are floating, or $C_c = C_c \text{ line/line} + C_c \text{ line/screen}$, if the screen is connected to one line Length of cable (not including cable stubs): $\leq 200 \text{ m (656.2 ft)}$ Length of cable stubs: $\leq 1 \text{ m (3.3 ft)}$	Ex ia ¹⁾ $U_i = 10 \text{ V}$ $I_i = \text{n. a.}$ $P_i = \text{n. a.}$ $L_i = 0 \text{ } \mu\text{H}$ $C_i = 200 \text{ nF}$
		2-WISE power load, APL port profile SLAC ⁵⁾ Ex ic ²⁾ Ex ic (NIFW) ³⁾ $U_i = 17.5 \text{ V}$ $I_i = 380 \text{ mA}$ $P_i = 5.32 \text{ W}$ $L_i = 10 \text{ } \mu\text{H}$ $C_i = 5 \text{ nF}$ Cable specifications according to 2-WISE: $R_c = 15 \text{ to } 150 \text{ } \Omega/\text{km}$ $L_c = 0.4 \text{ to } 1 \text{ mH/km}$ $C_c = 45 \text{ to } 200 \text{ nF/km}$ $C_c = C_c \text{ line/line} + 0,5 C_c \text{ line/screen}$, if both lines are floating, or $C_c = C_c \text{ line/line} + C_c \text{ line/screen}$, if the screen is connected to one line Length of cable (not including cable stubs): $\leq 200 \text{ m (656.2 ft)}$ Length of cable stubs: $\leq 1 \text{ m (3.3 ft)}$	Non-intrinsically safe ⁴⁾
Option RC	PROFINET over Ethernet-APL, Ex-i, 10Mbit/s	2-WISE power load, APL port profile SLAA ⁵⁾ Ex ia ¹⁾ $U_i = 17.5 \text{ V}$ $I_i = 380 \text{ mA}$ $P_i = 5.32 \text{ W}$ $L_i = 10 \text{ } \mu\text{H}$ $C_i = 5 \text{ nF}$ Cable specifications according to 2-WISE: $R_c = 15 \text{ to } 150 \text{ } \Omega/\text{km}$ $L_c = 0.4 \text{ to } 1 \text{ mH/km}$ $C_c = 45 \text{ to } 200 \text{ nF/km}$ $C_c = C_c \text{ line/line} + 0,5 C_c \text{ line/screen}$, if both lines are floating, or $C_c = C_c \text{ line/line} + C_c \text{ line/screen}$, if the screen is connected to one line Length of cable (not including cable stubs): $\leq 200 \text{ m (656.2 ft)}$ Length of cable stubs: $\leq 1 \text{ m (3.3 ft)}$	Ex ia ¹⁾ $U_i = 10 \text{ V}$ $I_i = \text{n. a.}$ $P_i = \text{n. a.}$ $L_i = 0 \text{ } \mu\text{H}$ $C_i = 200 \text{ nF}$

Zone 1, Zone 21			
Order code for "Output; input 1"	Output type	Intrinsically safe values	
		Output; input 1 (Port 1)	Service interface (Port 2)
		<p>2-WISE power load, APL port profile SLAC⁵⁾</p> <p>Ex ic²⁾</p> <p>Ex ic (NIFW)³⁾</p> <p>$U_i = 17.5 \text{ V}$</p> <p>$I_i = 380 \text{ mA}$</p> <p>$P_i = 5.32 \text{ W}$</p> <p>$L_i = 10 \text{ } \mu\text{H}$</p> <p>$C_i = 5 \text{ nF}$</p> <p>Cable specifications according to 2-WISE:</p> <p>$R_c = 15 \text{ to } 150 \text{ } \Omega/\text{km}$</p> <p>$L_c = 0.4 \text{ to } 1 \text{ mH/km}$</p> <p>$C_c = 45 \text{ to } 200 \text{ nF/km}$</p> <p>$C_c = C_c \text{ line/line} + 0,5 C_c \text{ line/screen}$, if both lines are floating, or</p> <p>$C_c = C_c \text{ line/line} + C_c \text{ line/screen}$, if the screen is connected to one line</p> <p>Length of cable (not including cable stubs): $\leq 200 \text{ m}$ (656.2 ft)</p> <p>Length of cable stubs: $\leq 1 \text{ m}$ (3.3 ft)</p>	Non-intrinsically safe ⁴⁾
Option TA	FOUNDATION Fieldbus Ex i (STANDARD + FISCO)	<p>Ex ia¹⁾</p> <p>$U_i = 30 \text{ V}$</p> <p>$I_i = 570 \text{ mA}$</p> <p>$P_i = 8.5 \text{ W}$</p> <p>$L_i = 10 \text{ } \mu\text{H}$</p> <p>$C_i = 5 \text{ nF}$</p>	<p>Ex ia¹⁾</p> <p>$U_i = 10 \text{ V}$</p> <p>$I_i = \text{n. a.}$</p> <p>$P_i = \text{n. a.}$</p> <p>$L_i = 0 \text{ } \mu\text{H}$</p> <p>$C_i = 200 \text{ nF}$</p>
		<p>Ex ic²⁾</p> <p>Ex ic (NIFW)³⁾</p> <p>$U_i = 32 \text{ V}$</p> <p>$I_i = 570 \text{ mA}$</p> <p>$P_i = 8.5 \text{ W}$</p> <p>$L_i = 10 \text{ } \mu\text{H}$</p> <p>$C_i = 5 \text{ nF}$</p>	Non-intrinsically safe ⁴⁾

- 1) For approved options only: See separate document "Safety Instructions" (XA) for the device.
- 2) For approved options only: See separate document "Safety Instructions" (XA) for the device.
- 3) For approved options only: See separate document "Safety Instructions" (XA) for the device.
- 4) Connection to or operation with Service interface (Port 2) is not permitted in potentially explosive atmospheres.
- 5) For further options see Ethernet-APL Installation Drawing HE_01622.

Zone 2		
Order code for "Output; input 1"	Output type	Intrinsically safe values or NIFW values Output; input 1 (Port 1)
Option HA	PROFIBUS PA Ex i (STANDARD + FISCO)	Ex ic AEx ic, Ex ic, NIFW $U_i = 32 \text{ V}$ $I_i = 570 \text{ mA}$ $P_i = 8.5 \text{ W}$ $L_i = 10 \mu\text{H}$ $C_i = 5 \text{ nF}$
Option MC	Modbus TCP over Ethernet-APL, Ex-i, 10Mbit/s	2-WISE power load, APL port profile SLAC ¹⁾ Ex ic AEx ic, Ex ic, NIFW $U_i = 17.5 \text{ V}$ $I_i = 380 \text{ mA}$ $P_i = 5.32 \text{ W}$ $L_i = 10 \mu\text{H}$ $C_i = 5 \text{ nF}$ Cable specifications according to 2-WISE: $R_c = 15 \text{ to } 150 \Omega/\text{km}$ $L_c = 0.4 \text{ to } 1 \text{ mH}/\text{km}$ $C_c = 45 \text{ to } 200 \text{ nF}/\text{km}$ $C_c = C_c \text{ line}/\text{line} + 0,5 C_c \text{ line}/\text{screen}$, if both lines are floating, or $C_c = C_c \text{ line}/\text{line} + C_c \text{ line}/\text{screen}$, if the screen is connected to one line Length of cable (not including cable stubs): $\leq 200 \text{ m}$ (656.2 ft) Length of cable stubs: $\leq 1 \text{ m}$ (3.3 ft)
Option RC	PROFINET over Ethernet-APL, Ex-i, 10Mbit/s	
Option TA	FOUNDATION Fieldbus Ex i (STANDARD + FISCO)	Ex ic AEx ic, Ex ic, NIFW $U_i = 32 \text{ V}$ $I_i = 570 \text{ mA}$ $P_i = 8.5 \text{ W}$ $L_i = 10 \mu\text{H}$ $C_i = 5 \text{ nF}$

1) For further options see Ethernet-APL Installation Drawing HE_01622.

Order code for "Output; input 2" "Output; input 3" "Output; input 4"	Output type	Intrinsically safe values or NIFW values		
		Output; input 2	Output; input 3	Output; input 4
Option C	Current output 4-20mA Ex-i passive	Ex ia or Ex ic (NIFW) Ex ic AEx ic, Ex ic, NIFW $U_i = 30 \text{ V}$ $I_i = 100 \text{ mA}$ $P_i = 1.25 \text{ W}$ $L_i = 0$ $C_i = 0$		
Option G	Pulse/frequency/switch output Ex-i passive	Ex ia or Ex ic (NIFW) Ex ic AEx ic, Ex ic, NIFW $U_i = 30 \text{ V}$ $I_i = 100 \text{ mA}$ $P_i = 1.25 \text{ W}$ $L_i = 0$ $C_i = 0$		

Low flow cut off The switch points for low flow cut off are user-selectable.

Galvanic isolation The outputs are galvanically isolated:

- from the power supply
- from one another
- from the protective ground connection (PE)


Protocol-specific data

HART




Manufacturer ID	0x11
Device type ID	0x3C
HART protocol revision	7
Device description files (DTM, DD)	Information and files under: www.endress.com
HART load	Min. 250 Ω
System integration	Information on system integration: Operating Instructions → 143. <ul style="list-style-type: none"> ▪ Measured variables via HART protocol ▪ Burst Mode functionality

FOUNDATION Fieldbus

Manufacturer ID	0x452B48 (hex)
Ident number	0x103C (hex)
Device revision	1
DD revision	Information and files under:
CFF revision	<ul style="list-style-type: none"> ▪ www.endress.com ▪ www.fieldcommgroup.org
Interoperability Test Kit (ITK)	Version 6.2.0
ITK Test Campaign Number	Information: <ul style="list-style-type: none"> ▪ www.endress.com ▪ www.fieldcommgroup.org
Link Master capability (LAS)	Yes
Choice of "Link Master" and "Basic Device"	Yes Factory setting: Basic Device
Node address	Factory setting: 247 (0xF7)
Supported functions	The following methods are supported: <ul style="list-style-type: none"> ▪ Restart ▪ ENP Restart ▪ Diagnostic ▪ Set to OOS ▪ Set to AUTO ▪ Read trend data ▪ Read event logbook
Virtual Communication Relationships (VCRs)	
Number of VCRs	44
Number of link objects in VFD	50
Permanent entries	1
Client VCRs	0
Server VCRs	10
Source VCRs	43
Sink VCRs	0
Subscriber VCRs	43
Publisher VCRs	43
Device Link Capabilities	
Slot time	4
Min. delay between PDU	8




Max. response delay	16
System integration	Information regarding system integration: Operating Instructions →  143. <ul style="list-style-type: none"> ▪ Cyclic data transmission ▪ Description of the modules ▪ Execution times ▪ Methods

PROFIBUS DP

Manufacturer ID	0x11
Ident number	0x1570
Profile version	3.02
Device description files (GSD, DTM, DD)	Information and files under: <ul style="list-style-type: none"> ▪ https://www.endress.com/download On the device product page: PRODUCTS → Product Finder → Links ▪ https://www.profibus.com
Supported functions	<ul style="list-style-type: none"> ▪ Identification & Maintenance Simplest device identification on the part of the control system and nameplate ▪ PROFIBUS upload/download Reading and writing parameters is up to ten times faster with PROFIBUS upload/download ▪ Condensed status Simplest and self-explanatory diagnostic information by categorizing diagnostic messages that occur
Configuration of the device address	<ul style="list-style-type: none"> ▪ DIP switches on the I/O electronics module ▪ Via operating tools (e.g. FieldCare)
Compatibility with earlier model	<p>If the device is replaced, the measuring device Promag 500 supports the compatibility of the cyclic data with previous models. It is not necessary to adjust the engineering parameters of the PROFIBUS network with the Promag 500 GSD file.</p> <p>Earlier models:</p> <ul style="list-style-type: none"> ▪ Promag 50 PROFIBUS DP <ul style="list-style-type: none"> ▪ ID No.: 1546 (hex) ▪ Extended GSD file: EH3x1546.gsd ▪ Standard GSD file: EH3_1546.gsd ▪ Promag 53 PROFIBUS DP <ul style="list-style-type: none"> ▪ ID No.: 1526 (hex) ▪ Extended GSD file: EH3x1526.gsd ▪ Standard GSD file: EH3_1526.gsd <p> Description of the function scope of compatibility: Operating Instructions →  143.</p>
System integration	Information regarding system integration: Operating Instructions →  143. <ul style="list-style-type: none"> ▪ Cyclic data transmission ▪ Block model ▪ Description of the modules





PROFIBUS PA

Manufacturer ID	0x11
Ident number	0x156C
Profile version	3.02
Device description files (GSD, DTM, DD)	Information and files under: <ul style="list-style-type: none"> ▪ https://www.endress.com/download On the device product page: PRODUCTS → Product Finder → Links ▪ https://www.profibus.com

Supported functions	<ul style="list-style-type: none"> ▪ Identification & Maintenance Simplest device identification on the part of the control system and nameplate ▪ PROFIBUS upload/download Reading and writing parameters is up to ten times faster with PROFIBUS upload/download ▪ Condensed status Simplest and self-explanatory diagnostic information by categorizing diagnostic messages that occur
Configuration of the device address	<ul style="list-style-type: none"> ▪ DIP switches on the I/O electronics module ▪ Local display ▪ Via operating tools (e.g. FieldCare)
Compatibility with earlier model	<p>If the device is replaced, the measuring device Promag 500 supports the compatibility of the cyclic data with previous models. It is not necessary to adjust the engineering parameters of the PROFIBUS network with the Promag 500 GSD file.</p> <p>Earlier models:</p> <ul style="list-style-type: none"> ▪ Promag 50 PROFIBUS PA <ul style="list-style-type: none"> ▪ ID No.: 1525 (hex) ▪ Extended GSD file: EH3x1525.gsd ▪ Standard GSD file: EH3_1525.gsd ▪ Promag 53 PROFIBUS PA <ul style="list-style-type: none"> ▪ ID No.: 1527 (hex) ▪ Extended GSD file: EH3x1527.gsd ▪ Standard GSD file: EH3_1527.gsd <p> Description of the function scope of compatibility: Operating Instructions →  143.</p>
System integration	<p>Information regarding system integration: Operating Instructions →  143.</p> <ul style="list-style-type: none"> ▪ Cyclic data transmission ▪ Block model ▪ Description of the modules


Modbus RS485


Protocol	Modbus Applications Protocol Specification V1.1
Response times	<ul style="list-style-type: none"> ▪ Direct data access: typically 25 to 50 ms ▪ Auto-scan buffer (data range): typically 3 to 5 ms
Device type	Slave
Slave address range	1 to 247
Broadcast address range	0
Function codes	<ul style="list-style-type: none"> ▪ 03: Read holding register ▪ 04: Read input register ▪ 06: Write single registers ▪ 08: Diagnostics ▪ 16: Write multiple registers ▪ 23: Read/write multiple registers
Broadcast messages	<p>Supported by the following function codes:</p> <ul style="list-style-type: none"> ▪ 06: Write single registers ▪ 16: Write multiple registers ▪ 23: Read/write multiple registers
Supported baud rate	<ul style="list-style-type: none"> ▪ 1 200 BAUD ▪ 2 400 BAUD ▪ 4 800 BAUD ▪ 9 600 BAUD ▪ 19 200 BAUD ▪ 38 400 BAUD ▪ 57 600 BAUD ▪ 115 200 BAUD
Data transmission mode	<ul style="list-style-type: none"> ▪ ASCII ▪ RTU

Data access	Each device parameter can be accessed via Modbus RS485.  For Modbus register information
Compatibility with earlier model	If the device is replaced, the measuring instrument Promag 500 supports the compatibility of the Modbus registers for the process variables and the diagnostic information with the previous model Promag 53. It is not necessary to change the engineering parameters in the automation system.  Description of the function scope of compatibility: Operating Instructions →  143.
System integration	Information regarding system integration: Operating Instructions →  143. <ul style="list-style-type: none"> ▪ Modbus RS485 information ▪ Function codes ▪ Register information ▪ Response time ▪ Modbus data map


Modbus TCP over Ethernet-APL

Port 1: Modbus TCP over Ethernet-APL 10 Mbit/s, SPE 10 Mbit/s	
Protocol	<ul style="list-style-type: none"> ▪ Modbus application protocol V1.1 ▪ TCP
Response times	On Modbus client request: Typically 3 to 5 ms
TCP port	502
Modbus TCP connections	Maximum 4
Communication type	Ethernet Advanced Physical Layer 10BASE-T1L
Data transfer	Full-duplex
Polarity	Automatic correction of crossed "APL signal +" and "APL signal -" signal lines
Device type	Address
Device type ID	0xC43C
Function codes	<ul style="list-style-type: none"> ▪ 03: Read holding register ▪ 04: Read input register ▪ 06: Write single registers ▪ 16: Write multiple registers ▪ 23: Read/write multiple registers ▪ 43: Read device identification
Broadcast support for function codes	<ul style="list-style-type: none"> ▪ 06: Write single registers ▪ 16: Write multiple registers ▪ 23: Read/write multiple registers ▪ 43: Read device identification
Supported transfer speed	10 Mbit/s (Ethernet-APL)
Supported features	Address can be configured using DHCP, web server or software
Device description files (FDI)	Information and files available at: www.endress.com → Downloads area
Configuration options for measuring instrument	<ul style="list-style-type: none"> ▪ Asset management software (FieldCare, DeviceCare, Field Expert) ▪ Integrated web server via web browser and IP address ▪ Onsite operation

Supported functions	<ul style="list-style-type: none"> ▪ Device identification using: <ul style="list-style-type: none"> Nameplate ▪ Measured value status <ul style="list-style-type: none"> The process variables are communicated with a measured value status ▪ Blinking feature via the local display for simple device identification and assignment ▪ Device operation via asset management software (e.g. FieldCare, DeviceCare)
System integration	<p>Information regarding system integration: Operating Instructions →  143.</p> <ul style="list-style-type: none"> ▪ Overview and description of the supported function codes ▪ Status coding ▪ Factory setting

Port 2: Modbus TCP over Ethernet 100 Mbit/s	
Protocol	<ul style="list-style-type: none"> ▪ Modbus application protocol V1.1 ▪ TCP
Response times	On Modbus client request: Typically 3 to 5 ms
TCP port	502
Modbus TCP connections	Maximum 4
Communication type	<ul style="list-style-type: none"> ▪ 10BASE-T ▪ 100BASE-TX
Data transfer	Half-duplex, full-duplex
Polarity	Auto-MDIX
Device type	Address
Device type ID	0xC43C
Function codes	<ul style="list-style-type: none"> ▪ 03: Read holding register ▪ 04: Read input register ▪ 06: Write single registers ▪ 16: Write multiple registers ▪ 23: Read/write multiple registers ▪ 43: Read device identification
Broadcast support for function codes	<ul style="list-style-type: none"> ▪ 06: Write single registers ▪ 16: Write multiple registers ▪ 23: Read/write multiple registers ▪ 43: Read device identification
Supported transfer speed	<ul style="list-style-type: none"> ▪ 10 Mbit/s ▪ 100 Mbit/s (Fast-Ethernet)
Supported features	Address can be configured using DHCP, web server or software
Device description files (FDI)	Information and files available at: www.endress.com → Downloads area
Configuration options for measuring instrument	<ul style="list-style-type: none"> ▪ Asset management software (FieldCare, DeviceCare, Field Expert) ▪ Integrated web server via web browser and IP address ▪ Onsite operation
Supported functions	<ul style="list-style-type: none"> ▪ Device identification using: <ul style="list-style-type: none"> Nameplate ▪ Measured value status <ul style="list-style-type: none"> The process variables are communicated with a measured value status ▪ Device operation via asset management software (e.g. FieldCare, DeviceCare)
System integration	<p>Information regarding system integration: Operating Instructions →  143.</p> <ul style="list-style-type: none"> ▪ Overview and description of the supported function codes ▪ Status coding ▪ Factory setting

EtherNet/IP

Protocol	<ul style="list-style-type: none"> ▪ The CIP Networks Library Volume 1: Common Industrial Protocol ▪ The CIP Networks Library Volume 2: EtherNet/IP Adaptation of CIP
Communication type	<ul style="list-style-type: none"> ▪ 10Base-T ▪ 100Base-TX
Device profile	Generic device (product type: 0x2B)
Manufacturer ID	0x000049E
Device type ID	0x103C
Baud rates	Automatic ¹⁹ 100 Mbit with half-duplex and full-duplex detection
Polarity	Auto-polarity for automatic correction of crossed TxD and RxD pairs
Supported CIP connections	Max. 3 connections
Explicit connections	Max. 6 connections
I/O connections	Max. 6 connections (scanner)
Configuration options for measuring device	<ul style="list-style-type: none"> ▪ DIP switches on the electronics module for IP addressing ▪ Manufacturer-specific software (FieldCare) ▪ Add-on Profile Level 3 for Rockwell Automation control systems ▪ Web browser ▪ Electronic Data Sheet (EDS) integrated in the measuring device
Configuration of the EtherNet interface	<ul style="list-style-type: none"> ▪ Speed: 10 MBit, 100 MBit, auto (factory setting) ▪ Duplex: half-duplex, full-duplex, auto (factory setting)
Configuration of the device address	<ul style="list-style-type: none"> ▪ DIP switches on the electronics module for IP addressing (last octet) ▪ DHCP ▪ Manufacturer-specific software (FieldCare) ▪ Add-on Profile Level 3 for Rockwell Automation control systems ▪ Web browser ▪ EtherNet/IP tools, e.g. RSLinx (Rockwell Automation)
Device Level Ring (DLR)	Yes
System integration	<p>Information regarding system integration: Operating Instructions →  143.</p> <ul style="list-style-type: none"> ▪ Cyclic data transmission ▪ Block model ▪ Input and output groups


PROFINET

Protocol	Application layer protocol for decentral device periphery and distributed automation, Version 2.3
Communication type	100 Mbit/s
Conformity class	Conformance class B
Netload Class	Netload Class 2 100 Mbit/s
Baud rates	Automatic 100 Mbit/s with full-duplex detection
Periods	From 8 ms
Polarity	Auto-polarity for automatic correction of crossed TxD and RxD pairs
Media Redundancy Protocol (MRP)	Yes
System redundancy support	System redundancy S2 (2 AR with 1 NAP)
Device profile	Application interface identifier 0xF600 Generic device
Manufacturer ID	0x11
Device type ID	0x843C

Device description files (GSD, DTM, DD)	Information and files available at: <ul style="list-style-type: none"> ▪ www.endress.com ▪ On the product page for the device: Documents/Software → Device drivers ▪ www.profibus.com
Supported connections	<ul style="list-style-type: none"> ▪ 2 x AR (IO Controller AR) ▪ 1 x AR (IO-Supervisor Device AR connection allowed) ▪ 1 x Input CR (Communication Relation) ▪ 1 x Output CR (Communication Relation) ▪ 1 x Alarm CR (Communication Relation)
Configuration options for measuring instrument	<ul style="list-style-type: none"> ▪ DIP switches on the electronics module, for device name assignment (last part) ▪ Asset management software (FieldCare, DeviceCare, Field Xpert) ▪ Integrated web server via web browser and IP address ▪ Device master file (GSD), can be read out via the integrated web server of the measuring instrument. ▪ Onsite operation
Configuration of the device name	<ul style="list-style-type: none"> ▪ DIP switches on the electronics module, for device name assignment (last part) ▪ DCP protocol ▪ Asset management software (FieldCare, DeviceCare, Field Xpert) ▪ Integrated web server
Supported functions	<ul style="list-style-type: none"> ▪ Identification & Maintenance, simple device identifier via: <ul style="list-style-type: none"> ▪ Control system ▪ Nameplate ▪ Measured value status The process variables are communicated with a measured value status ▪ Blinking feature via the local display for simple device identification and assignment ▪ Device operation via asset management software (e.g. FieldCare, DeviceCare, SIMATIC PDM)
System integration	Information regarding system integration: Operating Instructions → 143. <ul style="list-style-type: none"> ▪ Cyclic data transmission ▪ Overview and description of the modules ▪ Status coding ▪ Startup configuration ▪ Factory setting

PROFINET over Ethernet-APL

Protocol	Application layer protocol for decentral device periphery and distributed automation, Version 2.43
Communication type	Ethernet Advanced Physical Layer 10BASE-T1L
Conformance Class	Conformance Class B (PA)
Netload Class	PROFINET Netload Robustness Class 2 10 Mbit/s
Data transfer	10 Mbit/s Full-duplex
Cycle times	64 ms
Polarity	Automatic correction of crossed "APL signal +" and "APL signal -" signal lines
Media Redundancy Protocol (MRP)	Not possible (point-to-point connection to APL field switch)
System redundancy support	System redundancy S2 (2 AR with 1 NAP)
Device profile	PROFINET PA profile 4.02 (Application interface identifier API: 0x9700)
Manufacturer ID	17
Device type ID	0xA43C
Device description files (GSD, DTM, FDI)	Information and files available at: <ul style="list-style-type: none"> ▪ www.endress.com → Downloads area ▪ www.profibus.com

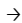
Supported connections	<ul style="list-style-type: none"> ▪ 2x AR (IO Controller AR) ▪ 2x AR (IO Supervisor Device AR connection allowed)
Configuration options for measuring instrument	<ul style="list-style-type: none"> ▪ DIP switches on the electronics module, for device name assignment (last part) ▪ Asset management software (FieldCare, DeviceCare, Field Xpert) ▪ Integrated Web server via Web browser and IP address ▪ Device master file (GSD), can be read out via the integrated Web server of the measuring instrument. ▪ Onsite operation
Configuration of the device name	<ul style="list-style-type: none"> ▪ DIP switches on the electronics module, for device name assignment (last part) ▪ DCP protocol ▪ Asset management software (FieldCare, DeviceCare, Field Xpert) ▪ Integrated web server
Supported functions	<ul style="list-style-type: none"> ▪ Identification & Maintenance, simple device identifier via: <ul style="list-style-type: none"> ▪ Control system ▪ Nameplate ▪ Measured value status The process variables are communicated with a measured value status ▪ Blinking feature via the local display for simple device identification and assignment ▪ Device operation via asset management software (e.g. FieldCare, DeviceCare, SIMATIC PDM with FDI package)
System integration	<p>Information regarding system integration: Operating Instructions →  143.</p> <ul style="list-style-type: none"> ▪ Cyclic data transmission ▪ Overview and description of the modules ▪ Status coding ▪ Factory setting

Power supply

Terminal assignment

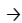
Transmitter: supply voltage, input/outputs

HART

Supply voltage		Input/output 1 (port 1)		Input/output 2		Input/output 3		Input/output 4 ¹⁾		Service interface (Port 2)
1 (+)	2 (-)	26 (+)	27 (-)	24 (+)	25 (-)	22 (+)	23 (-)	20 (+)	21 (-)	CDI-RJ45
The terminal assignment depends on the specific device version ordered →  14.										

1) Input/output only available for Proline 500 - digital.

FOUNDATION fieldbus

Supply voltage		Input/output 1 (port 1)		Input/output 2		Input/output 3		Input/output 4 ¹⁾		Service interface (Port 2)
1 (+)	2 (-)	26 (A)	27 (B)	24 (+)	25 (-)	22 (+)	23 (-)	20 (+)	21 (-)	CDI-RJ45
The terminal assignment depends on the specific device version ordered →  14.										

1) Input/output only available for Proline 500 - digital.

PROFIBUS DP

Supply voltage		Input/output 1 (port 1)		Input/output 2		Input/output 3		Input/output 4 ¹⁾		Service interface (Port 2)
1 (+)	2 (-)	26 (B)	27 (A)	24 (+)	25 (-)	22 (+)	23 (-)	20 (+)	21 (-)	CDI-RJ45
The terminal assignment depends on the specific device version ordered → 14.										

1) Input/output only available for Proline 500 - digital.

PROFIBUS PA

Supply voltage		Input/output 1 (port 1)		Input/output 2		Input/output 3		Input/output 4 ¹⁾		Service interface (Port 2)
1 (+)	2 (-)	26 (B)	27 (A)	24 (+)	25 (-)	22 (+)	23 (-)	20 (+)	21 (-)	CDI-RJ45
The terminal assignment depends on the specific device version ordered → 14.										

1) Input/output only available for Proline 500 - digital.

Modbus RS485

Supply voltage		Input/output 1 (port 1)		Input/output 2		Input/output 3		Input/output 4 ¹⁾		Service interface (Port 2)
1 (+)	2 (-)	26 (B)	27 (A)	24 (+)	25 (-)	22 (+)	23 (-)	20 (+)	21 (-)	CDI-RJ45
The terminal assignment depends on the specific device version ordered → 14.										

1) Input/output only available for Proline 500 - digital.

Modbus TCP

Supply voltage		Input/output 1 (Port 1) ¹⁾		Input/output 2		Input/output 3		Input/output 4 ²⁾		Service interface (Port 2) ¹⁾
1 (+)	2 (-)	26 (+)	27 (-)	24 (+)	25 (-)	22 (+)	23 (-)	20 (+)	21 (-)	CDI-RJ45
The terminal assignment depends on the specific device version ordered → 14.										

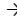
- 1) For Modbus TCP communication, either port 1 OR port 2 can be used.
- 2) Input/output only available for Proline 500 - digital.

PROFINET

Supply voltage		Input/output 1 (Port 1) ¹⁾		Input/output 2		Input/output 3		Input/output 4 ²⁾		Service interface (Port 2) ¹⁾
1 (+)	2 (-)	RJ45		24 (+)	25 (-)	22 (+)	23 (-)	20 (+)	21 (-)	CDI-RJ45
The terminal assignment depends on the specific device version ordered → 14.										

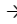
- 1) Port can be used for communication or as a service interface (CDI-RJ45).
- 2) Input/output only available for Proline 500 - digital.

PROFINET over Ethernet-APL

Supply voltage		Input/output 1 (Port 1)		Input/output 2		Input/output 3		Input/output 4 ¹⁾		Service interface (Port 2 ²⁾)
1 (+)	2 (-)	26 (+)	27 (-)	24 (+)	25 (-)	22 (+)	23 (-)	20 (+)	21 (-)	CDI-RJ45
The terminal assignment depends on the specific device version ordered →  14.										

- 1) Input/output only available for Proline 500 - digital.
2) No PROFINET communication available on port 2

Ethernet/IP



Supply voltage		Input/output 1 (Port 1) ¹⁾	Input/output 2		Input/output 3		Input/output 4 ²⁾		Service interface (Port 2) ¹⁾
1 (+)	2 (-)	RJ45	24 (+)	25 (-)	22 (+)	23 (-)	20 (+)	21 (-)	CDI-RJ45
The terminal assignment depends on the specific device version ordered →  14.									

- 1) Port can be used for communication or as a service interface (CDI-RJ45).
2) Input/output only available for Proline 500 - digital.

Transmitter and sensor connection housing: connecting cable

The sensor and transmitter, which are mounted in separate locations, are interconnected by a connecting cable. The cable is connected via the sensor connection housing and the transmitter housing.

Terminal assignment and connection of the connecting cable:

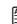





- Proline 500 – digital →  46
- Proline 500 →  47

**Available device plugs
Proline 500**

Device plugs may not be used in hazardous areas!

Device plugs for Proline 500:

Order code for "Input; output 1"


- Option **SA** "FOUNDATION Fieldbus" →  40
- Option **GA** "PROFIBUS PA" →  40
- Option **NA** "EtherNet/IP" →  41
- Option **RA** "PROFINET" →  41
- Option **RB** "PROFINET over Ethernet-APL" →  41
- Option **MB** "Modbus TCP" →  41

Device plug for connecting to the service interface:


Order code for "Accessory mounted"

Option **NB**, RJ45 M12 adapter (service interface) →  45

Order code for "Input; output 1", option SA "FOUNDATION fieldbus"

Order code for "Electrical connection"	Cable entry/connection →  47	
	2	3
M, 3, 4, 5	7/8" plug	-

Order code for "Input; output 1", option GA "PROFIBUS PA"

Order code for "Electrical connection"	Cable entry/connection →  47	
	2	3
L, N, P, U	Connector M12×1	-

Order code for "Input; output 1", option NA "EtherNet/IP"

Order code for "Electrical connection"	Cable entry/connection → 47	
	2	3
L, N, P, U	Connector M12×1	-
R ^{1) 2)} , S ^{1) 2)} , T ^{1) 2)} , V ^{1) 2)}	Connector M12×1	Connector M12×1

- 1) Not compatible with an external WLAN antenna (order code for "Accessory enclosed", option P8), an RJ45 M12 adapter for the service interface (order code for "Accessory mounted", option NB)
- 2) Suitable for integrating the device into a ring topology.

Order code for "Input; output 1", option RA "PROFINET"

Order code for "Electrical connection"	Cable entry/connection → 47	
	2	3
L, N, P, U	Connector M12×1	-
R ^{1) 2)} , S ^{1) 2)} , T ^{1) 2)} , V ^{1) 2)}	Connector M12×1	Connector M12×1

- 1) Not compatible with an external WLAN antenna (order code for "Accessory enclosed", option P8), an RJ45 M12 adapter for the service interface (order code for "Accessory mounted", option NB)
- 2) Suitable for integrating the device into a ring topology.

Order code for "Input; output 1", option RB "PROFINET over Ethernet-APL"

Order code for "Electrical connection"	Cable entry/connection → 47	
	2	3
L, N, P, U	Connector M12×1	-

Order code for "Input; output 1", option MB "Modbus TCP over Ethernet-APL"

Order code for "Electrical connection"	Accessories	Cable entry/connection → 47	
		2	3
L, N, P, U	-	Connector M12×1 A-coded	-
L, N, P, U	NB ¹⁾	Connector M12×1 A-coded	Connector M12×1 ¹⁾ D-coded
1 ²⁾ , 2 ²⁾ , 7 ²⁾ , 8 ²⁾	-	-	Connector M12×1 D-coded

- 1) Cannot be used as a Modbus TCP port.
- 2) Not compatible with an external WLAN antenna (order code for "Accessory enclosed", option P8, an RJ45 M12 adapter for the service interface (order code for "Accessory mounted", option NB)

Order code for "Accessory mounted", option NB: "Adapter RJ45 M12 (service interface)"

Order code for "Accessory mounted"	Cable entry/connection → 47	
	Cable entry 2	Cable entry 3
NB ¹⁾	-	Connector M12×1

- 1) Not compatible with electrical connection option 1, 2, 7, 8

Available device plugs Proline 500 digital

Device plugs for Proline 500 digital:

Order code for "Input; output 1"

- Option **SA** "FOUNDATION Fieldbus" → 40
- Option **GA** "PROFIBUS PA" → 40
- Option **NA** "Ethernet/IP" → 41
- Option **RA** "PROFINET" → 41
- Option **RB** "PROFINET over Ethernet-APL" → 41
- Option **MB** "Modbus TCP over Ethernet-APL"

Device plug for connecting to the service interface:

Order code for "Accessory mounted"

Option **NB**, RJ45 M12 adapter (service interface) → 45

Order code for "Input; output 1", option SA "FOUNDATION fieldbus"

Order code for "Electrical connection"	Cable entry/connection → 47			
	2	3	4	5
M, 3, 4, 5	–	7/8" connector	–	–

Order code for "Input; output 1", option GA "PROFIBUS PA"

Order code for "Electrical connection"	Cable entry/connection → 47			
	2	3	4	5
L, N, P, U	–	Connector M12×1	–	–

Order code for "Input; output 1", option NA "Ethernet/IP"

Order code for "Electrical connection"	Cable entry/connection → 47			
	2	3	4	5
L, N, P, U	Connector M12×1	–	–	–
R ^{1) 2)} , S ^{1) 2)} , T ^{1) 2)} , V ^{1) 2)}	Connector M12×1	–	–	Connector M12×1

- 1) Not compatible with an external WLAN antenna (order code for "Accessory enclosed", option P8), an RJ45 M12 adapter for the service interface (order code for "Accessory mounted", option NB)
- 2) Suitable for integrating the device into a ring topology.

Order code for "Input; output 1", option RA "PROFINET"

Order code for "Electrical connection"	Cable entry/connection → 47			
	2	3	4	5
L, N, P, U	Connector M12×1	–	–	–
R ^{1) 2)} , S ^{1) 2)} , T ^{1) 2)} , V ^{1) 2)}	Connector M12×1	–	–	Connector M12×1

- 1) Not compatible with an external WLAN antenna (order code for "Accessory enclosed", option P8), an RJ45 M12 adapter for the service interface (order code for "Accessory mounted", option NB)
- 2) Suitable for integrating the device into a ring topology.

Order code for "Input; output 1", option RB "PROFINET over Ethernet-APL"

Order code for "Electrical connection"	Cable entry/connection → 47			
	2	3	4	5
L, N, P, U	-	Connector M12×1 A-coded	-	-

Order code for "Input; output 1", option MB "Modbus TCP over Ethernet-APL"

Order code for "Electrical connection"	Accessories	Cable entry/connection → 47			
		2	3	4	5
L, N, P, U	-	-	Connector M12×1 A-coded	-	-
L, N, P, U	NB ¹⁾	-	Connector M12×1 A-coded	-	Connector M12×1 ¹⁾ D-coded
1 ²⁾ , 2 ²⁾ , 7 ²⁾ , 8 ²⁾	-	-	-	-	Connector M12×1 D-coded

- 1) Cannot be used as a Modbus TCP port.
- 2) Not compatible with an external WLAN antenna (order code for "Accessory enclosed", option P8, an RJ45 M12 adapter for the service interface (order code for "Accessory mounted", option NB)

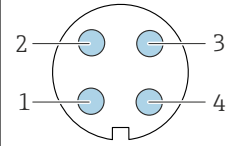
Order code for "Accessory mounted", option NB: "Adapter RJ45 M12 (service interface)"

Order code for "Electrical connection"	Cable entry/connection → 47			
	2	3	4	5
NB ¹⁾	-	-	-	M12x1 plug D-coded

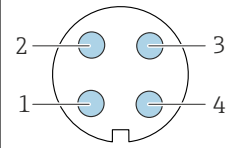
- 1) Not compatible with electrical connection option 1, 2, 7, 8

Pin assignment, device plug

FOUNDATION Fieldbus

	Pin	Assignment	Coding	Plug/socket
	1	+	Signal +	A
2	-	Signal -		
3		Cable shield ¹⁾		
4		Not used		
	Metal plug housing	Cable shield		
¹⁾ If a cable shield is used				

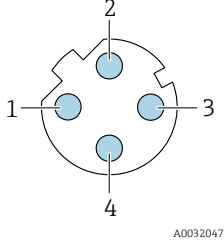
PROFIBUS PA

	Pin	Assignment	Coding	Plug/socket
	1	+	PROFIBUS PA +	A
2		Grounding		
3	-	PROFIBUS PA -		

	4		Not used		
	Metal plug housing		Cable shield		

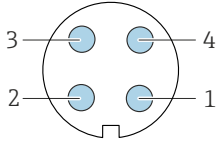
- i** Recommended plug:
- Binder, series 713, part no. 99 1430 814 04
 - Phoenix, part no. 1413934 SACC-FS-4QO SH PBPA SCO

PROFINET

	Pin	Assignment		Coding	Plug/socket
	1	+	TD +	D	Socket
	2	+	RD +		
	3	-	TD -		
4	-	RD -			
	Metal plug housing		Cable shield		

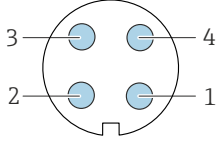
- i** Recommended plug:
- Binder, series 825, part no. 99 3729 810 04
 - Phoenix, part no. 1543223 SACC-M12MSD-4Q

PROFINET over Ethernet-APL

	Pin	Assignment	Coding	Plug/socket
	1	Ethernet-APL signal -	A	Socket
	2	Ethernet-APL signal +		
	3	Cable shield ¹		
	4	Not used		
Metal plug housing	Cable shield			
¹ If a cable shield is used				

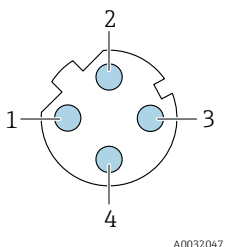
- i** Recommended plug:
- Binder, series 713, part no. 99 1430 814 04
 - Phoenix, part no. 1413934 SACC-FS-4QO SH PBPA SCO

Modbus TCP over Ethernet-APL 10 Mbit/s

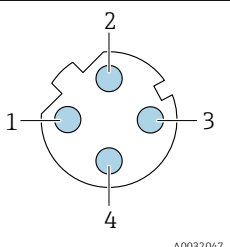
	Pin	Assignment	Coding	Plug/socket
	1	Ethernet-APL signal -	A	Socket
	2	Ethernet-APL signal +		
	3	Cable shield ¹		
	4	Not used		
Metal plug housing	Cable shield			
¹ If a cable shield is used				

- i** Recommended plug:
- Binder, series 713, part no. 99 1430 814 04
 - Phoenix, part no. 1413934 SACC-FS-4QO SH PBPA SCO

Modbus TCP over Ethernet 100 Mbit/s

	Pin	Assignment		Coding	Plug/socket
	1	+	Tx	D	Socket
	2	+	Rx		
	3	-	Tx		
4	-	Rx			

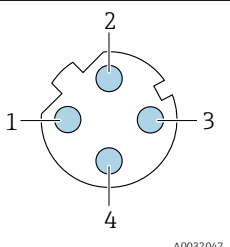
EtherNet/IP

	Pin	Assignment		Coding	Plug/socket
	1	+	Tx	D	Socket
	2	+	Rx		
	3	-	Tx		
4	-	Rx			
	Metal plug housing		Cable shield		

- i** Recommended plug:
- Binder, series 825, part no. 99 3729 810 04
 - Phoenix, part no. 1543223 SACC-M12MSD-4Q

Service interface

Order code for "Accessory mounted", option **NB**: "Adapter RJ45 M12 (service interface)"

	Pin	Assignment		Coding	Plug/socket
	1	+	Tx	D	Socket
	2	+	Rx		
	3	-	Tx		
4	-	Rx			

- i** Recommended plug:
- Binder, series 825, part no. 99 3729 810 04
 - Phoenix, part no. 1543223 SACC-M12MSD-4Q

Supply voltage

Order code "Power supply"	Terminal voltage		Frequency range
Option D	DC 24 V	±20%	-
Option E	AC 100 to 240 V	-15...+10%	50/60 Hz, ±4 Hz
Option I	DC 24 V	±20%	-
	AC 100 to 240 V	-15...+10%	50/60 Hz, ±4 Hz

Power consumption

Transmitter

Max. 10 W (active power)

switch-on current	Max. 36 A (<5 ms) as per NAMUR Recommendation NE 21
--------------------------	---

Current consumption

Transmitter

- Max. 400 mA (24 V)
- Max. 200 mA (110 V, 50/60 Hz; 230 V, 50/60 Hz)

Power supply failure

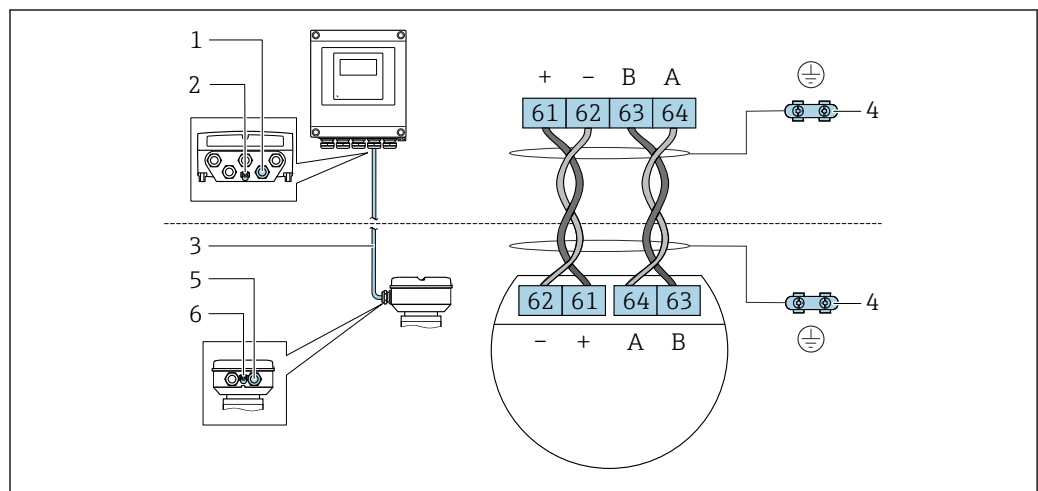
- Totalizers stop at the last value measured.
- Depending on the device version, the configuration is retained in the device memory or in the plug-in memory (HistoROM DAT).
- Error messages (incl. total operated hours) are stored.

Overcurrent protection element

- The device must be operated with a dedicated circuit breaker, as it does not have an ON/OFF switch of its own.
- The circuit breaker must be easy to reach and labeled accordingly.
 - Permitted nominal current of the circuit breaker: 2 A up to maximum 10 A.

Electrical connection

Connection of connecting cable: Proline 500 – digital



A0028198

- 1 Cable entry for cable on transmitter housing
- 2 Protective ground connection (PE)
- 3 Connecting cable ISEM communication
- 4 Grounding via ground connection; in the version with a device plug, grounding is ensured through the plug itself
- 5 Cable entry for cable or connection of device plug on sensor connection housing
- 6 Protective ground connection (PE)

Depending on the device version of the sensor connection housing, the connecting cable is connected via terminals or device plugs.

Sensor connection housing Order code for "Housing"	Connection to sensor connection housing via	Connection to transmitter housing via
Option B: stainless	Terminals	Terminals
Option C: ultra-compact, hygienic, stainless	Device plug	Terminals

Pin assignment, device plug

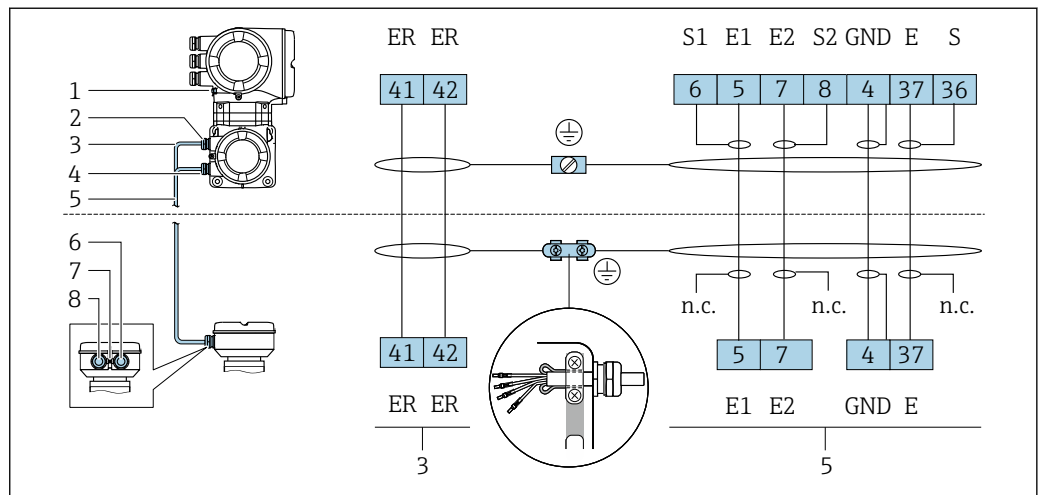
Device plugs are only available for device version, order code for "Housing":
 Option C: ultra-compact, hygienic, stainless
 For connection to sensor connection housing.

Pin	Color ¹⁾	Assignment		Connection to terminal
1	Brown	+	Supply voltage	61
2	White	A	ISEM communication	64
3	Blue	B		63
4	Black	-	Supply voltage	62
5	-		-	-
Coding		Plug/socket		
A		Plug		

1) Cable colors of connecting cable





 A connecting cable with a device plug is optionally available.

Connection of the connecting cable: Proline 500

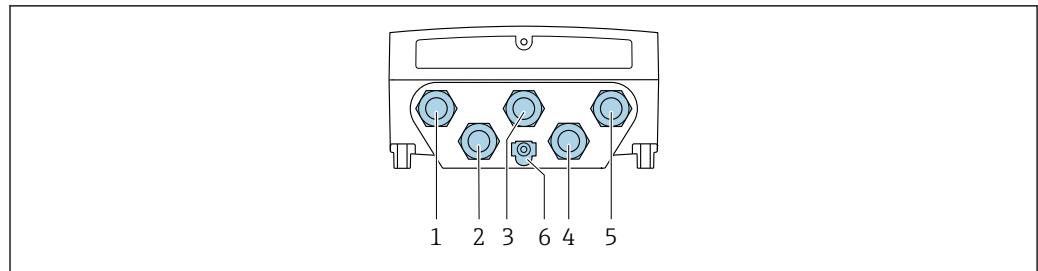


- 1 Protective ground connection (PE)
- 2 Cable entry for coil current cable on transmitter connection housing
- 3 Coil current cable
- 4 Cable entry for signal cable on transmitter connection housing
- 5 Signal cable
- 6 Cable entry for signal cable on sensor connection housing
- 7 Protective ground connection (PE)
- 8 Cable entry for coil current cable on sensor connection housing

Transmitter connection

-  Terminal assignment →  38
-  Device plug pin assignment →  43

Transmitter connection: Proline 500 – digital



A0028200

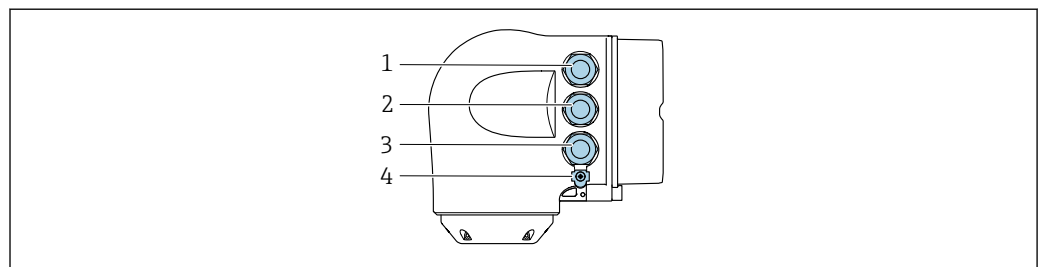
- 1 Terminal connection for supply voltage
- 2 Terminal connection for signal transmission, input/output
- 3 Terminal connection for signal transmission, input/output
- 4 Terminal connection for connecting cable between sensor and transmitter
- 5 Terminal connection for signal transmission, input/output or terminal for network connection (DHCP client) via service interface (CDI-RJ45); optional: terminal connection for external WLAN antenna
- 6 Protective ground connection (PE)

i An adapter for the RJ45 to the M12 plug is optionally available:
Order code for "Accessories", option **NB**: "Adapter RJ45 M12 (service interface)"

The adapter connects the service interface (CDI-RJ45) to an M12 plug mounted in the cable entry. The connection to the service interface can be established via an M12 plug without opening the device.

i Network connection (DHCP client) via service interface (CDI-RJ45) → 128

Connecting the transmitter: Proline 500



A0026781

- 1 Terminal connection for supply voltage
- 2 Terminal connection for signal transmission, input/output
- 3 Terminal connection for signal transmission, input/output or terminal for network connection (DHCP client) via service interface (CDI-RJ45); optional: terminal connection for external WLAN antenna
- 4 Protective ground connection (PE)


i An adapter for the RJ45 to the M12 plug is optionally available:
Order code for "Accessories", option **NB**: "Adapter RJ45 M12 (service interface)"

The adapter connects the service interface (CDI-RJ45) to an M12 plug mounted in the cable entry. The connection to the service interface can be established via an M12 plug without opening the device.

i Network connection (DHCP client) via service interface (CDI-RJ45) → 128

Connecting in a ring topology

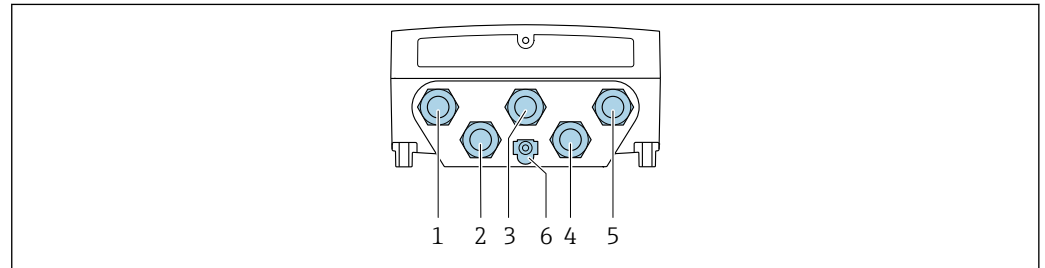
Device versions with EtherNet/IP and PROFINET communication protocols can be integrated into a ring topology. The device is integrated via the terminal connection for signal transmission (output 1) and the connection to the service interface (CDI-RJ45).

 For detailed information on connecting transmitters with an Ex de approval, see separate document "Safety instructions" (XA) for the device.

 Integrating the transmitter into a ring topology:

- EtherNet/IP
- PROFINET

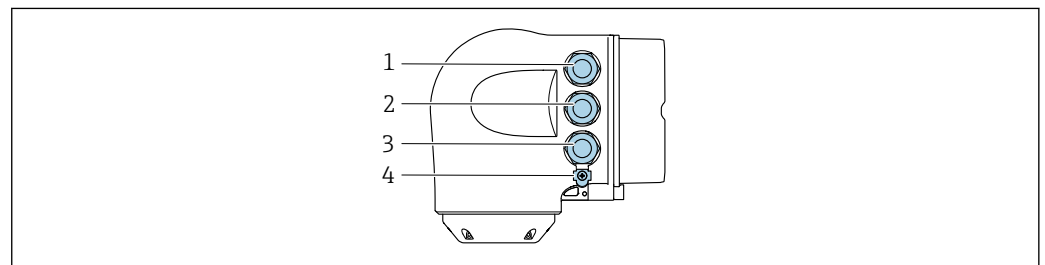
Transmitter: Proline 500 – digital



A0028200


- 1 Terminal connection for supply voltage
- 2 Terminal connection for signal transmission, input/output
- 2 Terminal connection for signal transmission: PROFINET or Ethernet/IP (RJ45 plug)
- 4 Terminal connection for connecting cable between sensor and transmitter
- 5 Connection to service interface (CDI-RJ45)
- 6 Protective ground connection (PE)

Transmitter: Proline 500



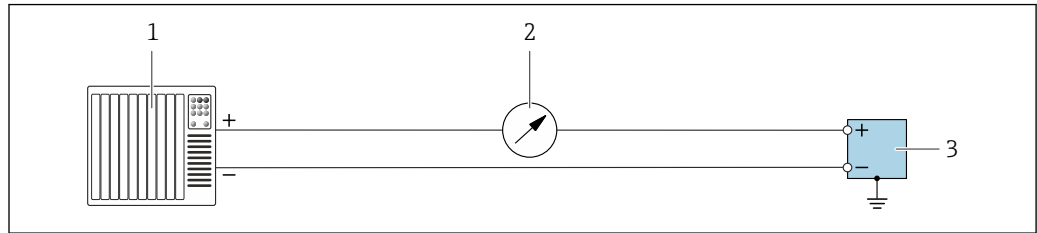
A0026781

- 1 Terminal connection for supply voltage
- 2 Terminal connection for signal transmission: PROFINET or Ethernet/IP (RJ45 plug)
- 3 Connection to service interface (CDI-RJ45)
- 4 Protective ground connection (PE)

 If the device has additional inputs/outputs, these are routed in parallel via the cable entry for connection to the service interface (CDI-RJ45).

Connection examples

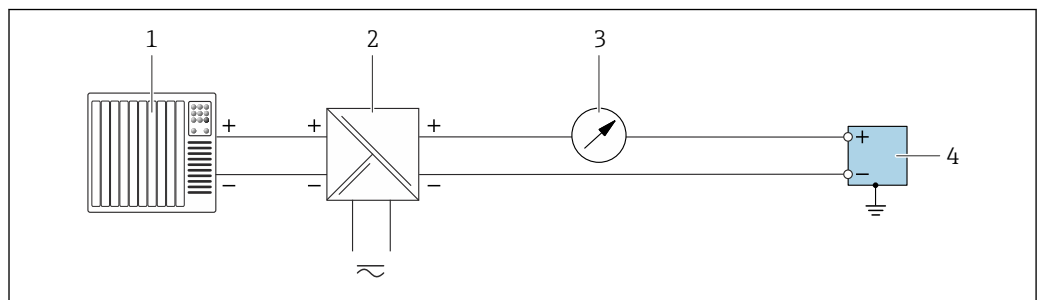
Current output 4 to 20 mA (without HART)



A0055851

2 Connection example for 4 to 20 mA current output (active)

- 1 Automation system with current input (e.g. PLC)
- 2 Optional additional display unit: Observe maximum load
- 3 Flowmeter with current output (active)

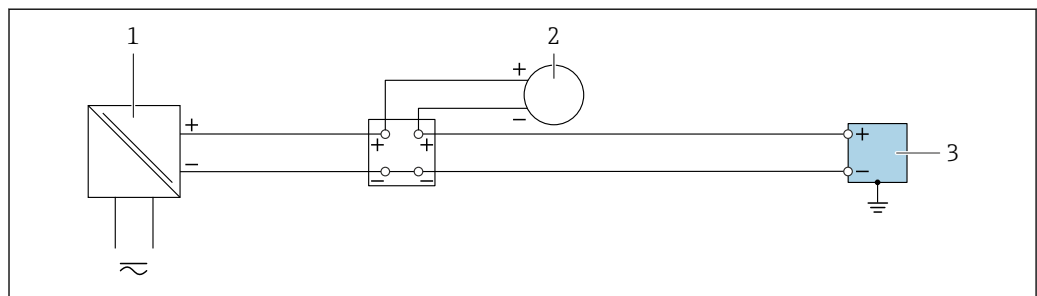


A0055852

3 Connection example for 4 to 20 mA current output (passive)

- 1 Automation system with current input (e.g. PLC)
- 2 Power supply
- 3 Optional additional display unit: Observe maximum load
- 4 Transmitter with current output (passive)

Current input 4 to 20 mA

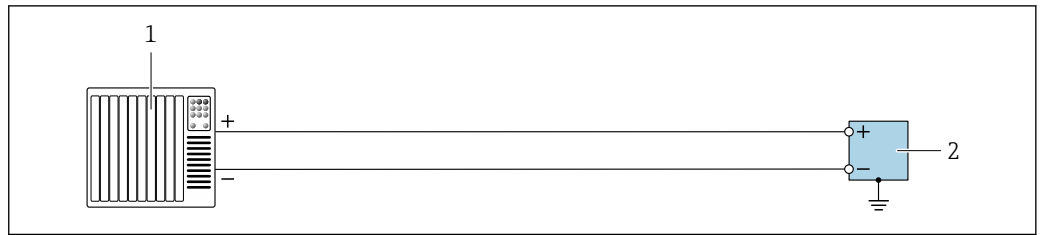


A0055853

4 Connection example for 4 to 20 mA current input

- 1 Power supply
- 2 External measuring instrument with 4 to 20 mA passive current output. e.g. pressure or temperature)
- 3 Transmitter with 4 to 20 mA current input

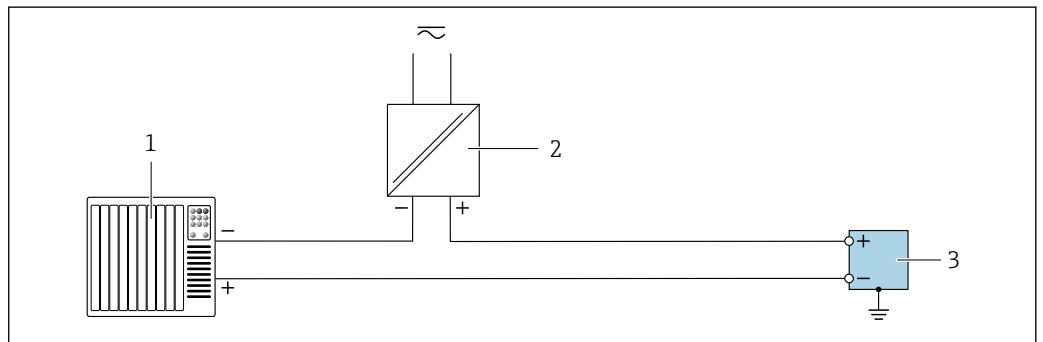
Pulse output/frequency output/switch output



A0055856

5 Connection example for pulse output/frequency output/switch output (active)

- 1 Automation system with pulse input/frequency input/switch input (e.g. PLC)
- 2 Transmitter with pulse output/frequency output/switch output (active)

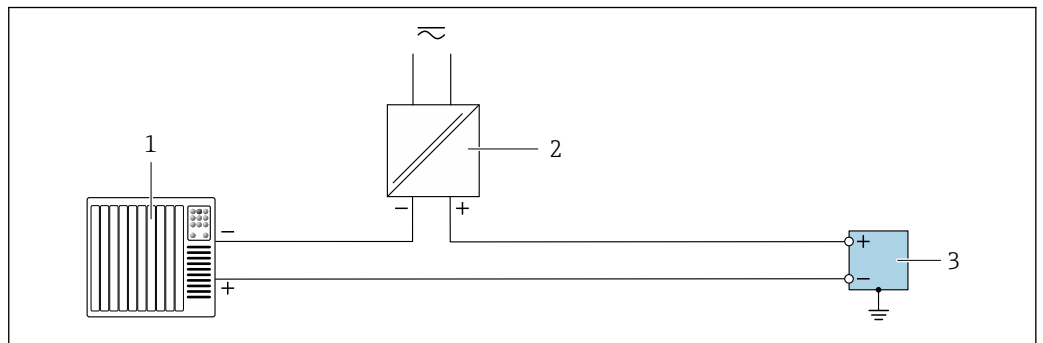


A0055856

6 Connection example for pulse output/frequency output/switch output (passive)

- 1 Automation system with pulse input/frequency input/switch input (e.g. PLC)
- 2 Power supply
- 3 Transmitter with pulse output/frequency output/switch output (passive)

Relay output

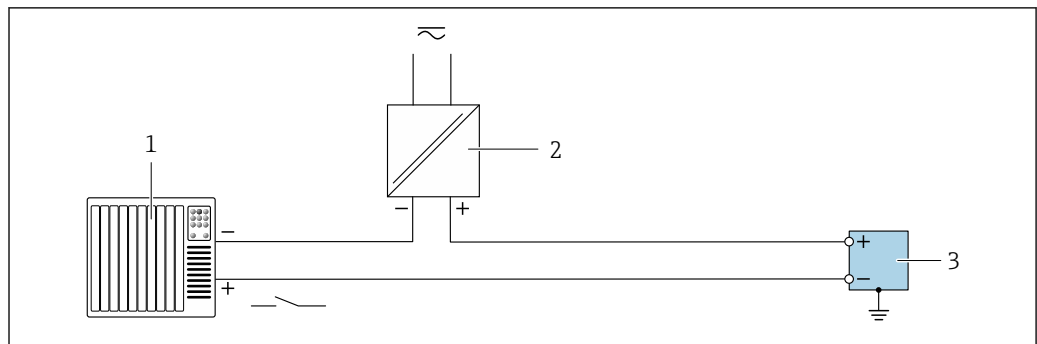


A0055859

7 Connection example for relay output

- 1 Automation system with switch input (e.g. PLC)
- 2 Power supply
- 3 Transmitter with relay output

Status input

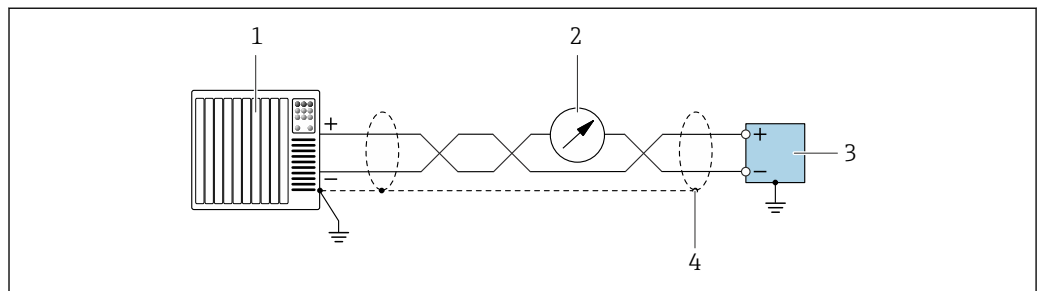


A0055860

8 Connection example for status input

- 1 Automation system with switch output passive e.g. PLC)
- 2 Power supply
- 3 Transmitter with status input

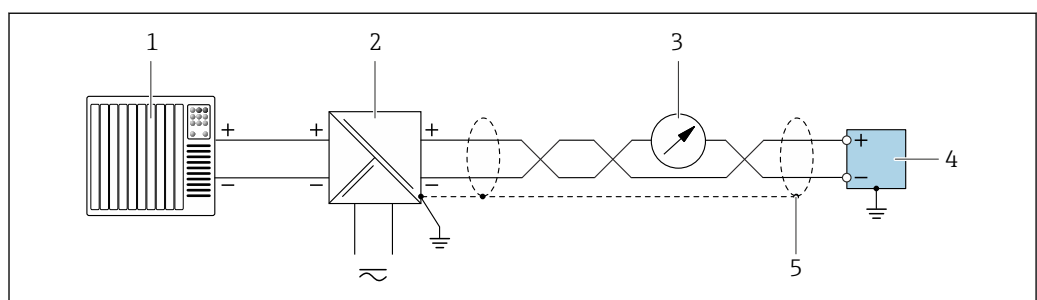
Current output 4 to 20 mA HART



A0055862

9 Connection example for 4 to 20 mA current output with HART (active)

- 1 Automation system with 4 to 20 mA current input with HART (e.g. PLC)
- 2 Optional display unit: Note maximum load
- 3 Transmitter with 4 to 20 mA current output with HART (active)
- 4 Ground the cable shield on one side only. For installations in compliance with NAMUR NE98, grounding of the cable shield on both sides is required.

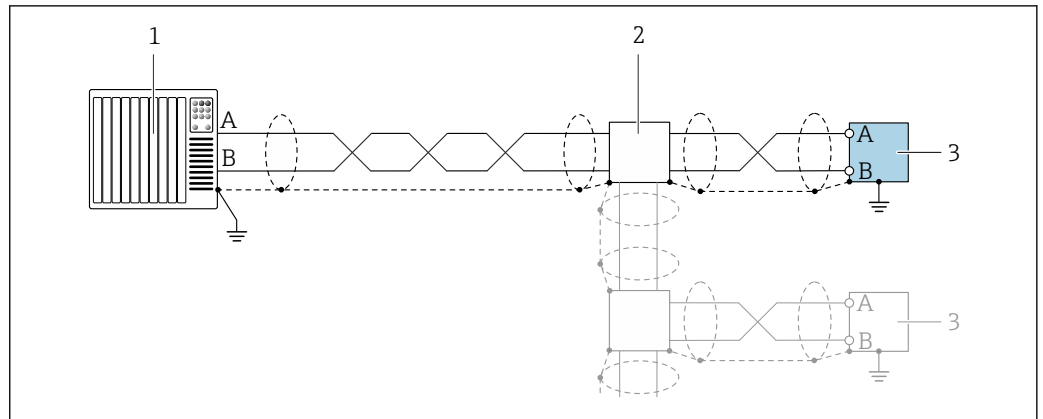


A0055861

10 Connection example for 4 to 20 mA current output with HART (passive)

- 1 Automation system with 4 to 20 mA current input with HART (e.g. PLC)
- 2 Power supply
- 3 Optional display unit: Note maximum load
- 4 Transmitter with 4 to 20 mA current output with HART (passive)
- 5 Ground the cable shield on one side only. For installations in compliance with NAMUR NE98, grounding of the cable shield on both sides is required.

Modbus RS485



11 Connection example for Modbus RS485

- 1 Automation system with Modbus master (e.g. PLC)
- 2 Optional distribution box
- 3 Transmitter with Modbus RS485

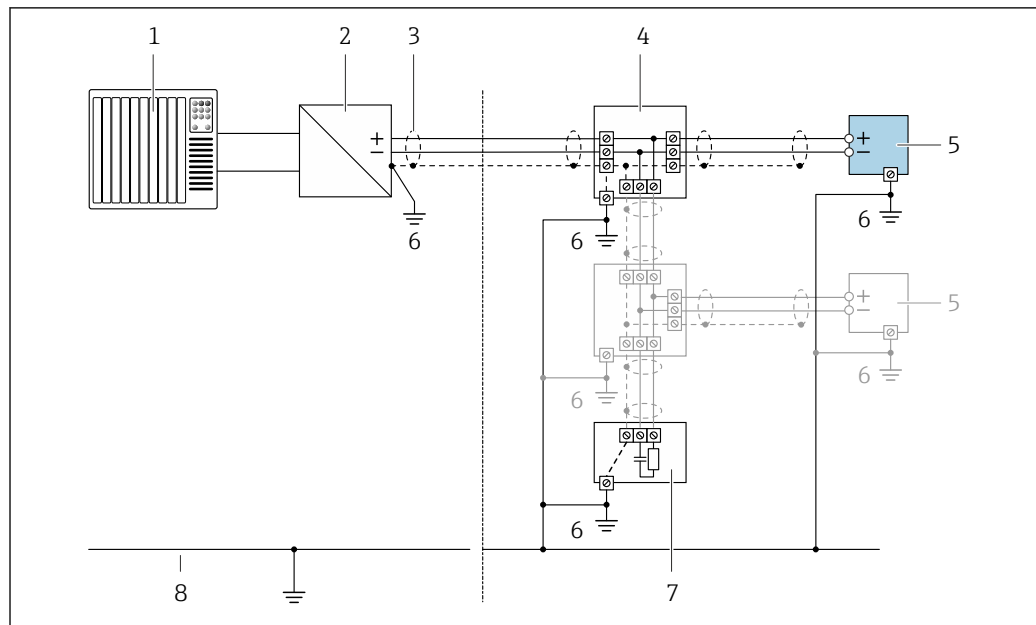
PROFIBUS PA

See <https://www.profibus.com> "PROFIBUS Installation Guidelines".

PROFIBUS DP

See <https://www.profibus.com> "PROFIBUS Installation Guidelines".

FOUNDATION Fieldbus



A0028768

12 Connection example for FOUNDATION Fieldbus

- 1 Automation system (e.g. PLC)
- 2 Power Conditioner (FOUNDATION Fieldbus)
- 3 Cable shield provided at one end. The cable shield must be grounded at both ends to comply with EMC requirements; observe cable specifications
- 4 T-box
- 5 Measuring instrument
- 6 Local grounding
- 7 Bus terminator
- 8 Potential equalization conductor

PROFINET



See <https://www.profibus.com> "PROFINET Planning guideline".

EtherNet/IP



See <https://www.odva.org> "EtherNet/IP Media Planning & Installation Manual".

Ethernet-APL



See <https://www.profibus.com> Ethernet-APL White Paper "

Ensuring potential equalization

Requirements

For potential equalization:

- Pay attention to in-house grounding concepts
- Take account of operating conditions like the pipe material and grounding
- Connect the medium, sensor and transmitter to the same electric potential
- Use a ground cable with a minimum cross-section of 6 mm² (10 AWG) and a cable lug for potential equalization connections

Connection example, standard scenario

Metal process connections

Potential equalization is generally via the metal process connections that are in contact with the medium and mounted directly on the sensor. Therefore there is generally no need for additional potential equalization measures.

Connection example in special situations

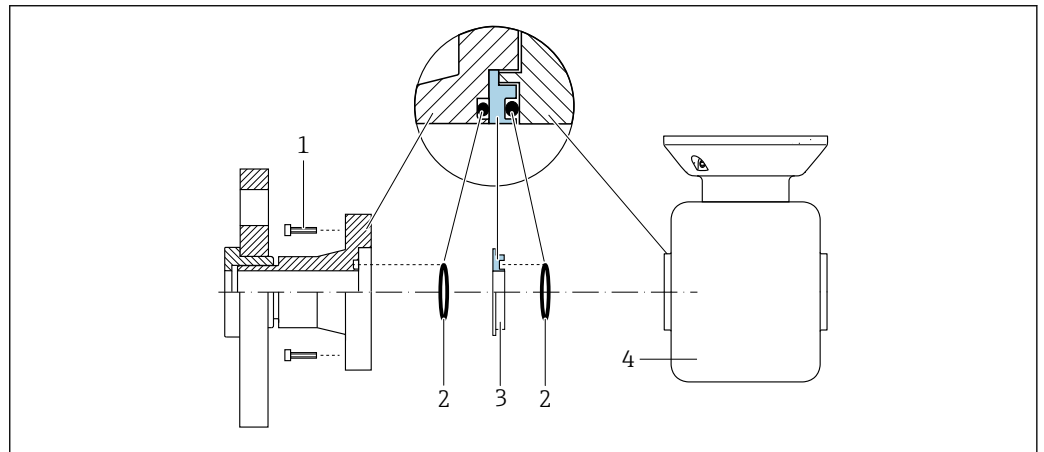
Plastic process connections

In the case of plastic process connections, additional grounding rings or process connections with an integrated grounding electrode must be used to ensure potential matching between the sensor and the fluid. If there is no potential matching, this can affect the measuring accuracy or cause the destruction of the sensor as a result of the electrochemical decomposition of the electrodes.

Note the following when using grounding rings:

- Depending on the option ordered, plastic disks are used instead of grounding rings on some process connections. These plastic disks only act as "spacers" and do not have any potential matching function. Furthermore, they also perform a significant sealing function at the sensor/ connection interface. Therefore, in the case of process connections without metal grounding rings, these plastic disks/seals should never be removed and should always be installed!
- Grounding rings can be ordered separately as accessory DK5HR* from Endress+Hauser (does not contain any seals). When ordering make sure that the grounding rings are compatible with the material used for the electrodes, as otherwise there is the danger that the electrodes could be destroyed by electrochemical corrosion!
- If seals are required, they can be additionally ordered with seal set DK5G*.
- Grounding rings including seals are mounted inside the process connections. This does not affect the installed length.

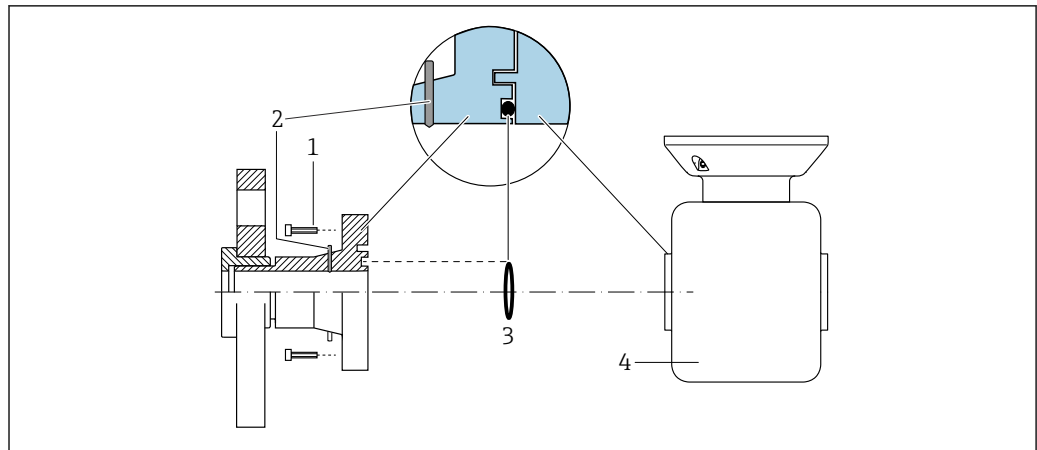
Potential equalization via additional grounding ring



- 1 Hexagonal-headed bolts of process connection
- 2 O-ring seals
- 3 Plastic disk (spacer) or grounding ring
- 4 Sensor

A0028971

Potential equalization via grounding electrodes on process connection



A0028972

- 1 Hexagonal-headed bolts of process connection
 2 Integrated grounding electrodes
 3 O-ring seal
 4 Sensor

Terminals

Spring-loaded terminals: Suitable for strands and strands with ferrules.
 Conductor cross-section 0.2 to 2.5 mm² (24 to 12 AWG).

Cable entries

- Cable gland: M20 × 1.5 with cable Ø 6 to 12 mm (0.24 to 0.47 in)
- Thread for cable entry:
 - NPT ½"
 - G ½"
 - M20
- Device plug for digital communication: M12
 Only available for certain device versions → 40.
- Device plug for connecting cable: M12
 A device plug is always used for the device version with the order code for "Sensor connection housing", option C "Ultra-compact, hygienic, stainless".

Cable specification

Permitted temperature range

- The installation guidelines that apply in the country of installation must be observed.
- The cables must be suitable for the minimum and maximum temperatures to be expected.

Power supply cable (incl. conductor for the inner ground terminal)

Standard installation cable is sufficient.

Protective grounding cable for the outer ground terminal

Conductor cross-section < 6 mm² (10 AWG)

Larger cross-sections can be connected using a cable lug.

The grounding impedance must be less than 2 Ω.

Signal cable

4 to 20 mA current input

Standard installation cable is sufficient.

Pulse/frequency/switch output

Standard installation cable is sufficient.

Relay output

Standard installation cable is sufficient.

Status input

Standard installation cable is sufficient.

Current output 4 to 20 mA HART

Shielded twisted-pair cable.



See <https://www.fieldcommgroup.org> "HART PROTOCOL SPECIFICATIONS".

Modbus RS485

Shielded twisted-pair cable.



See <https://modbus.org> "MODBUS over Serial Line Specification and Implementation Guide".

PROFIBUS PA

Shielded twisted-pair cable. Cable type A is recommended.



See <https://www.profibus.com> "PROFIBUS Installation Guidelines".

PROFIBUS DP

Shielded twisted-pair cable. Cable type A is recommended.



See <https://www.profibus.com> "PROFIBUS Installation Guidelines".

PROFINET

Only PROFINET cables.



See <https://www.profibus.com> "PROFINET Planning guideline".

EtherNet/IP

Twisted-pair Ethernet CAT 5 or better.



See <https://www.odva.org> "EtherNet/IP Media Planning & Installation Manual".

Ethernet-APL

Shielded twisted-pair cable. Cable type A is recommended.



See <https://www.profibus.com> "Ethernet-APL White Paper".

FOUNDATION Fieldbus

Twisted, shielded two-wire cable.

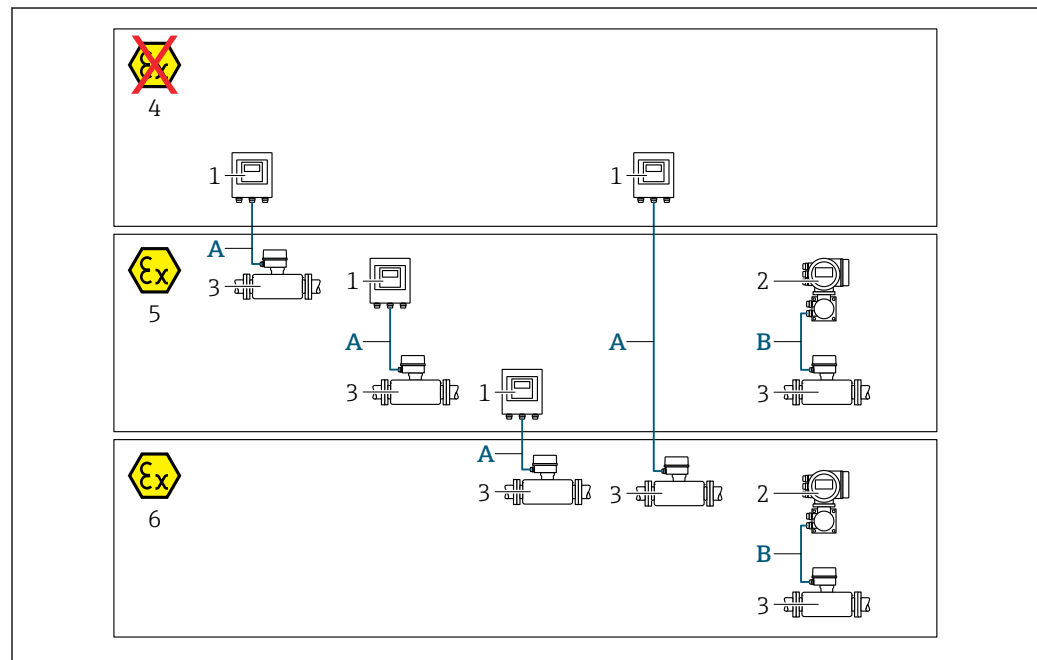


For further information on planning and installing FOUNDATION Fieldbus networks see:

- Operating Instructions for "FOUNDATION Fieldbus Overview" (BA00013S)
- FOUNDATION Fieldbus Guideline
- IEC 61158-2 (MBP)

Choice of connecting cable between the transmitter and sensor

Depends on the type of transmitter and the installation zones



A0032477

- 1 Proline 500 digital transmitter
- 2 Proline 500 transmitter
- 3 Promag sensor
- 4 Non-hazardous area
- 5 Hazardous area: Zone 2; Class I, Division 2
- 6 Hazardous area: Zone 1; Class I, Division 1
- A Standard cable to 500 digital transmitter → 58
Transmitter installed in the non-hazardous area or hazardous area: Zone 2; Class I, Division 2 / sensor installed in the hazardous area: Zone 2; Class I, Division 2 or Zone 1; Class I, Division 1
- B Signal cable to 500 transmitter → 59
Transmitter and sensor installed in the hazardous area: Zone 2; Class I, Division 2 or Zone 1; Class I, Division 1

A: Connecting cable between sensor and transmitter: Proline 500 – digital

Standard cable

A standard cable with the following specifications can be used as the connecting cable.

Design	4 cores (2 pairs); uninsulated stranded CU wires; pair-stranded with common shield
Shielding	Tin-plated copper braid, optical cover ≥ 85 %
Cable length	Maximum 300 m (900 ft), see the following table.

Cross-section	Cable lengths for use in	
	Non-hazardous area, Hazardous area: Zone 2; Class I, Division 2	Hazardous area: Zone 1; Class I, Division 1
0.34 mm ² (AWG 22)	80 m (240 ft)	50 m (150 ft)
0.50 mm ² (AWG 20)	120 m (360 ft)	60 m (180 ft)
0.75 mm ² (AWG 18)	180 m (540 ft)	90 m (270 ft)
1.00 mm ² (AWG 17)	240 m (720 ft)	120 m (360 ft)

Cross-section	Cable lengths for use in	
	Non-hazardous area, Hazardous area: Zone 2; Class I, Division 2	Hazardous area: Zone 1; Class I, Division 1
1.50 mm ² (AWG 15)	300 m (900 ft)	180 m (540 ft)
2.50 mm ² (AWG 13)	300 m (900 ft)	300 m (900 ft)

Optionally available connecting cable

Design	2 × 2 × 0.34 mm ² (AWG 22) PVC cable ¹⁾ with common shield (2 pairs, uninsulated stranded CU wires; pair-stranded)
Flame resistance	According to DIN EN 60332-1-2
Oil-resistance	According to DIN EN 60811-2-1
Shielding	Tin-plated copper braid, optical cover ≥ 85 %
Operating temperature	When mounted in a fixed position: -50 to +105 °C (-58 to +221 °F); when cable can move freely: -25 to +105 °C (-13 to +221 °F)
Available cable length	Fixed: 20 m (60 ft); variable: up to maximum 50 m (150 ft)

1) UV radiation can impair the cable outer sheath. Protect the cable from direct sunshine where possible.

B: Connecting cable between sensor and transmitter: Proline 500

Signal cable

Design	3 × 0.38 mm ² (20 AWG) with common, braided copper shield (∅ ~ 9.5 mm (0.37 in)) and individual shielded cores
Conductor resistance	≤ 50 Ω/km (0.015 Ω/ft)
Capacitance: core/shield	≤ 420 pF/m (128 pF/ft)
Cable length (max.)	Depends on the medium conductivity, max. 200 m (656 ft)
Cable lengths (available for order)	5 m (15 ft), 10 m (30 ft), 20 m (60 ft) or variable length up to max. 200 m (656 ft)
Cable diameter	9.4 mm (0.37 in) ± 0.5 mm (0.02 in)
Permanent operating temperature	-40 to +80 °C (-40 to +176 °F)
Permanent operating temperature option JN	-50 to +80 °C (-58 to +176 °F)

Coil current cable

Design	3 × 0.75 mm ² (18 AWG) with common, braided copper shield (∅ ~ 9 mm (0.35 in)) and individual shielded cores
Conductor resistance	≤ 37 Ω/km (0.011 Ω/ft)
Capacitance: core/core, shield grounded	≤ 120 pF/m (37 pF/ft)
Cable length (max.)	Depends on the medium conductivity, max. 200 m (656 ft)
Cable lengths (available for order)	5 m (15 ft), 10 m (30 ft), 20 m (60 ft) or variable length up to max. 200 m (656 ft)
Cable diameter	8.8 mm (0.35 in) ± 0.5 mm (0.02 in)
Permanent operating temperature	-40 to +80 °C (-40 to +176 °F)

Permanent operating temperature option JN	-50 to +80 °C (-58 to +176 °F)
Test voltage for cable insulation	≤ AC 1433 V rms 50/60 Hz or ≥ DC 2026 V

Operation in zones of severe electrical interference

The measuring system meets the general safety requirements → 137 and EMC specifications → 73.

Grounding is by means of the ground terminal provided for the purpose inside the connection housing. The stripped and twisted lengths of cable shield to the ground terminal must be as short as possible.

Overvoltage protection

Mains voltage fluctuations	→ 45
Overvoltage category	Overvoltage category II
Short-term, temporary overvoltage	Between cable and ground up to 1200 V, for max. 5 s
Long-term, temporary overvoltage	Between cable and ground up to 500 V

Performance characteristics

Reference operating conditions

- Error limits following DIN EN 29104, in future ISO 20456
- Water, typically: +15 to +45 °C (+59 to +113 °F); 0.5 to 7 bar (73 to 101 psi)
- Data as indicated in the calibration protocol
- Accuracy based on accredited calibration rigs according to ISO 17025
- Reference temperature for conductivity measurement: 25 °C (77 °F)

Maximum measurement error

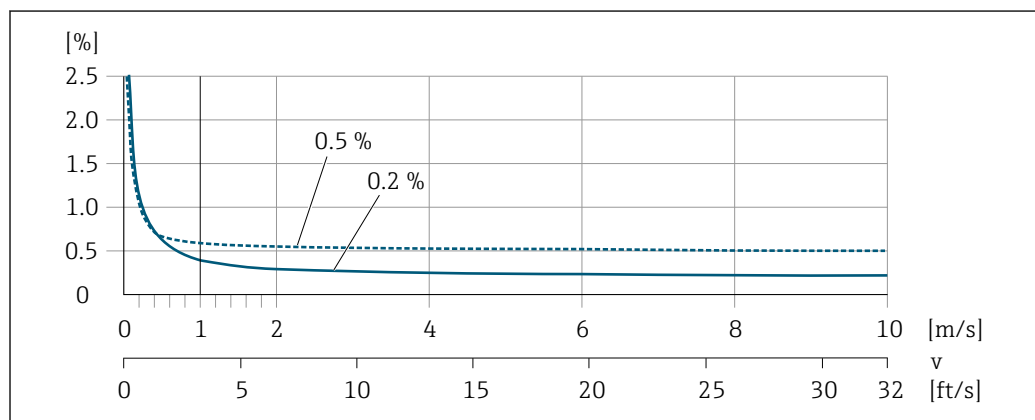
o.r. = of reading

Maximum permissible error under reference operating conditions

Volume flow

- ±0.5 % o.r. ± 1 mm/s (0.04 in/s)
- Optional: ±0.2 % o.r. ± 2 mm/s (0.08 in/s)

 Fluctuations in the supply voltage have no effect within the specified range.



 13 Maximum measurement error in % o.r.

Temperature

±3 °C (±5.4 °F)

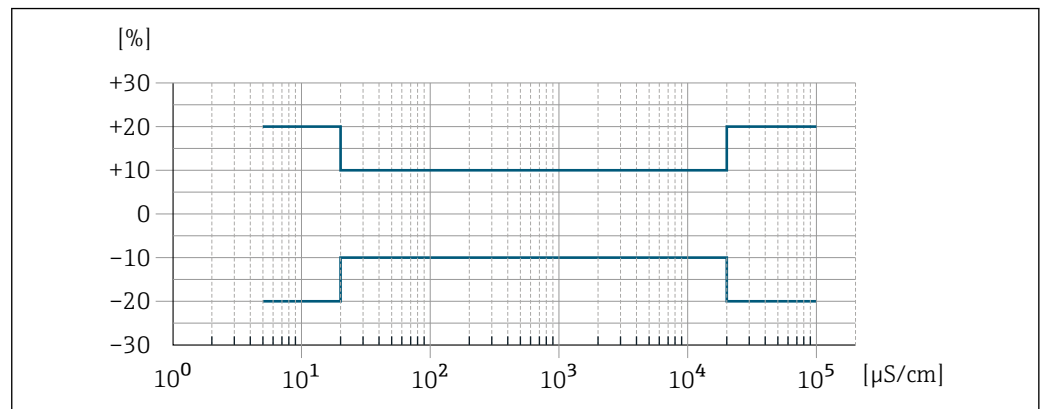
Electrical conductivity

The values apply for:

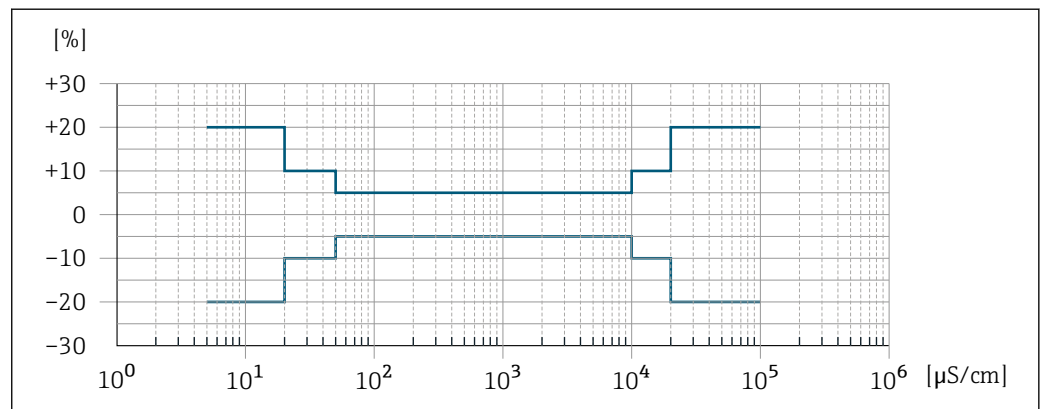
- Devices with stainless steel process connections
- Proline 500 – digital device version
- Measurements at a reference temperature of 25 °C (77 °F). At different temperatures, attention must be paid to the temperature coefficient of the medium (typically 2.1 %/K)

Conductivity [μS/cm]	Nominal diameter		Measurement error [%] of reading
	[mm]	[in]	
5 to 20	15 to 150	½ to 6	± 20%
> 20 to 50	15 to 150	½ to 6	± 10%
> 50 to 10000	2 to 8	¼ ₁₂ to 5 ₁₆	± 10%
	15 to 150	½ to 6	<ul style="list-style-type: none"> ■ Standard: ± 10% ■ Optional ¹⁾: ± 5%
> 10000 to 20000	2 to 150	¼ ₁₂ to 6	± 10%
> 20000 to 100000	2 to 150	¼ ₁₂ to 6	± 20%

1) Order code for "Calibrated conductivity measurement", option CW



14 Measurement error (standard)



15 Measurement error (optional: order code for "Calibrated conductivity measurement", option CW)

Accuracy of outputs

The outputs have the following base accuracy specifications:

Current output

Accuracy	$\pm 5 \mu\text{A}$
----------	---------------------

Pulse/frequency output

o.r. = of reading

Accuracy	Max. ± 50 ppm o.r. (over the entire ambient temperature range)
----------	--

Repeatability

o.r. = of reading

Volume flowMax. ± 0.1 % o.r. ± 0.5 mm/s (0.02 in/s)**Temperature** ± 0.5 °C (± 0.9 °F)**Electrical conductivity**

- Max. ± 5 % o.r.
- Max. ± 1 % o.r. for DN 15 to 150 in conjunction with process connections made of stainless steel 1.4404 (F316L)

Temperature measurement response time $T_{90} < 15$ s**Influence of ambient temperature****Current output**

Temperature coefficient	Max. $1 \mu\text{A}/^\circ\text{C}$
-------------------------	-------------------------------------

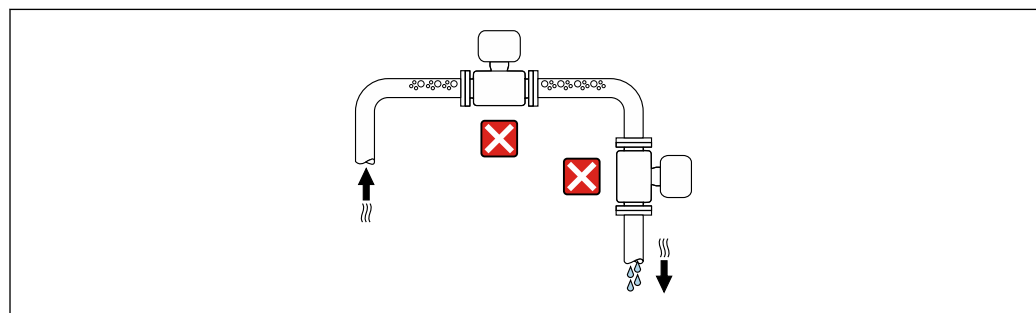
Pulse/frequency output

Temperature coefficient	No additional effect. Included in accuracy.
-------------------------	---

Installation

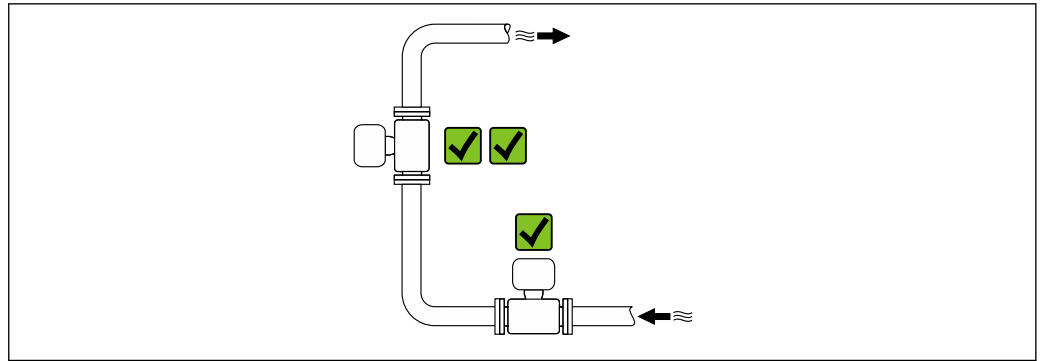
Installation location

- Do not install the device at the highest point of the pipe.
- Do not install the device upstream from a free pipe outlet in a down pipe.



A0042131

The device should ideally be installed in an ascending pipe.



A0042317

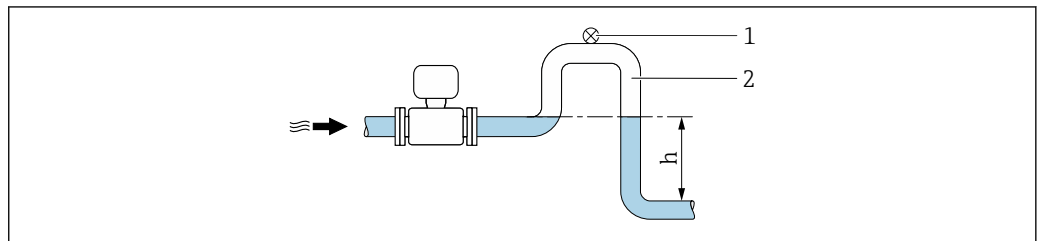
Installation upstream from a down pipe

NOTICE

A vacuum in the measuring tube can damage the liner!

- ▶ If installing upstream of down pipes whose length $h \geq 5 \text{ m}$ (16.4 ft): install a siphon with a vent valve downstream of the device.

i This arrangement prevents the flow of liquid stopping in the pipe and the formation of air pockets.

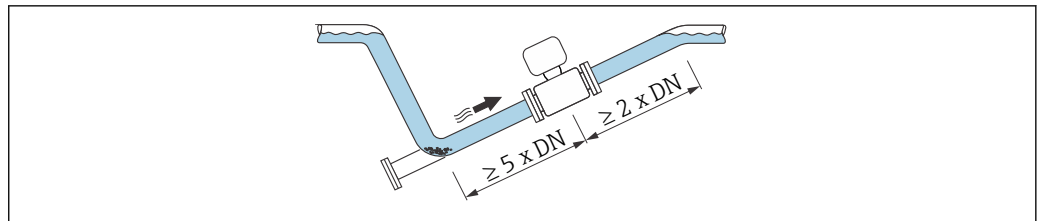


A0028981

- 1 Vent valve
- 2 Pipe siphon
- h Length of down pipe

Installation with partially filled pipes

- Partially filled pipes with a gradient require a drain-type configuration.
- The installation of a cleaning valve is recommended.



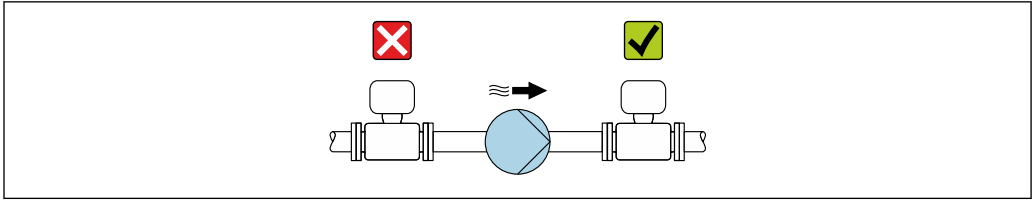
A0041088

Installation near pumps

NOTICE

A vacuum in the measuring tube can damage the liner!

- ▶ In order to maintain the static pressure, install the device in the flow direction downstream from the pump.
- ▶ Install pulsation dampers if reciprocating, diaphragm or peristaltic pumps are used.



A0041083

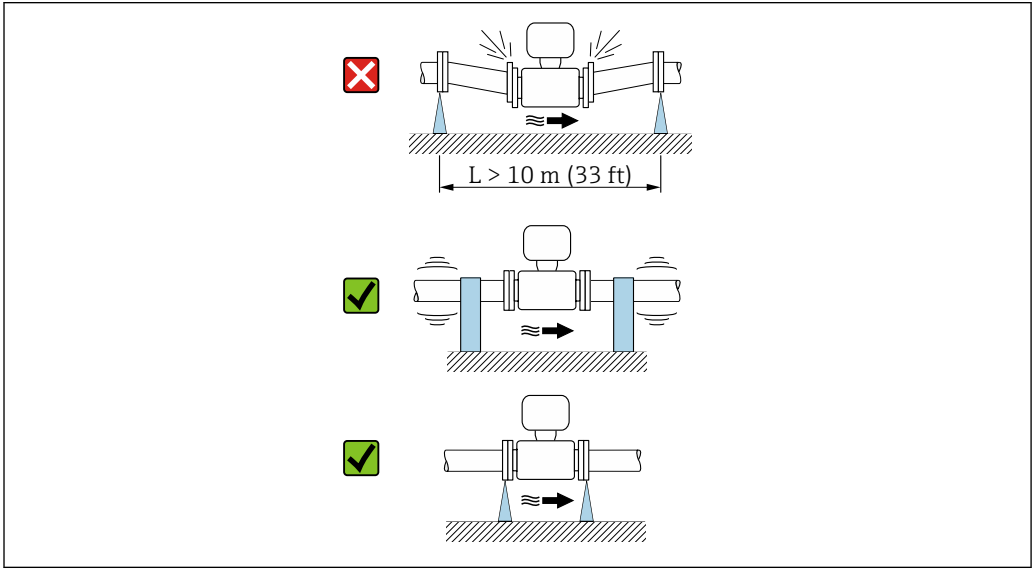
- i** Information on the liner's resistance to partial vacuum
- i** Information on the measuring system's resistance to vibration and shock → 72

Installation in event of pipe vibrations

NOTICE

Pipe vibrations can damage the device!

- ▶ Do not expose the device to strong vibrations.
- ▶ Support the pipe and fix it in place.
- ▶ Support the device and fix it in place.

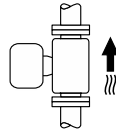
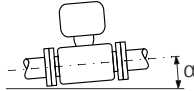


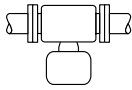

A0041092

- i** Information on the measuring system's resistance to vibration and shock → 72

Orientation

The direction of the arrow on the nameplate helps you to install the measuring instrument according to the flow direction (direction of medium flow through the piping).

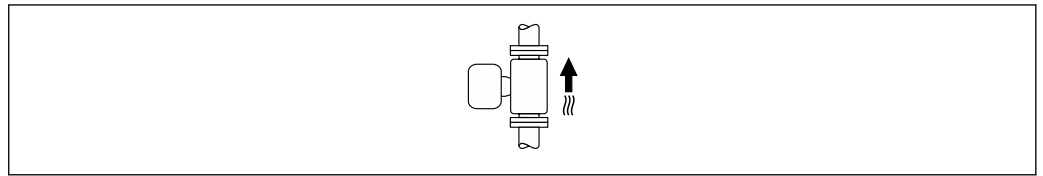
Orientation		Recommendation
Vertical orientation	 <p style="text-align: right; font-size: small;">A0015591</p>	<p>✓✓</p>
Horizontal orientation	 <p style="text-align: right; font-size: small;">A0041328</p>	<p>✓¹⁾</p>

Orientation		Recommendation
Horizontal orientation, transmitter at bottom	 <p style="text-align: right; font-size: small;">A0015590</p>	<p style="text-align: center;"> <input checked="" type="checkbox"/> <input checked="" type="checkbox"/> ^{2) 3)} <input checked="" type="checkbox"/> ⁴⁾ </p>
Horizontal orientation, transmitter at side	 <p style="text-align: right; font-size: small;">A0015592</p>	<p style="text-align: center;"><input checked="" type="checkbox"/></p>

- 1) The measuring instrument should be self-draining for hygiene applications. A vertical orientation is recommended for this. If only a horizontal orientation is possible, an angle of inclination $\alpha \geq 10^\circ$ is recommended.
- 2) Applications with high process temperatures may increase the ambient temperature. To maintain the maximum ambient temperature for the transmitter, this orientation is recommended.
- 3) To prevent the electronics module from overheating in the case of a sharp rise in temperature (e.g. CIP or SIP processes), install the measuring instrument with the transmitter component pointing downwards.
- 4) With the empty pipe detection function switched on: empty pipe detection only works if the transmitter housing is pointing upwards.

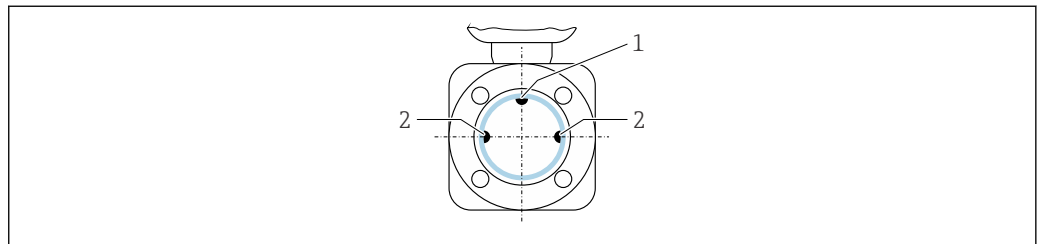
Vertical

Optimum for self-emptying pipe systems and for use in conjunction with empty pipe detection.



Horizontal

- Ideally, the measuring electrode plane should be horizontal. This prevents brief insulation of the measuring electrodes by entrained air bubbles.
- Empty pipe detection only works if the transmitter housing is pointing upwards as otherwise there is no guarantee that the empty pipe detection function will actually respond to a partially filled or empty measuring tube.



- 1 EPD electrode for empty pipe detection, available from \geq DN 15 (1/2")
- 2 Measuring electrodes for signal detection

 Measuring instruments with a nominal diameter $<$ DN 15 (1/2") do not have an EPD electrode. In this case, empty pipe detection is performed via the measuring electrodes.

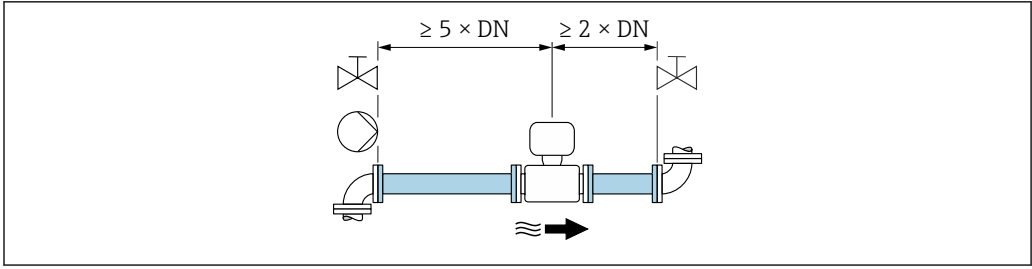
Inlet and outlet runs

Installation with inlet and outlet runs

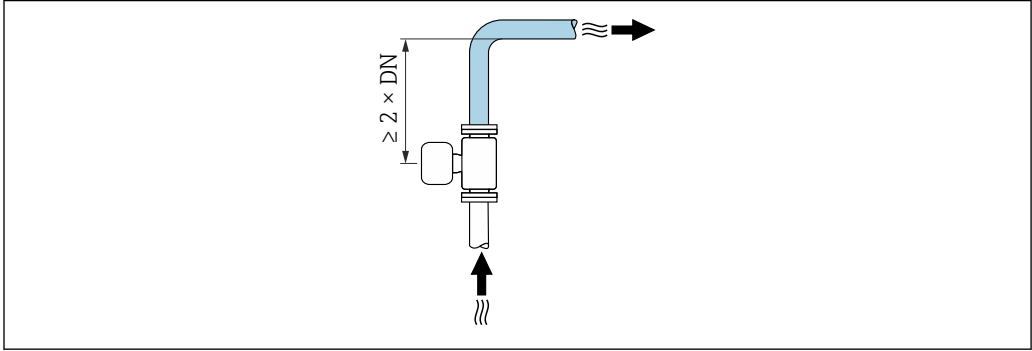
Installation is carried out with inlet and outlet runs.

Maintain straight, unimpeded inlet and outlet runs.

To avoid a vacuum and to maintain the specified level of measurement accuracy, if possible install the device upstream from assemblies that produce turbulence (e.g. valves, T-sections) and downstream from pumps.



Keep a sufficient distance to the next pipe elbow.



Installation without inlet and outlet runs

Depending on the device design and installation location, the inlet and outlet runs can be reduced or omitted entirely.

i **Maximum measurement error**
 When the device is installed with the inlet and outlet runs described, a maximum measurement error of $\pm 0.5\%$ of measured value $\pm 1 \text{ mm/s}$ (0.04 in/s) can be ensured.

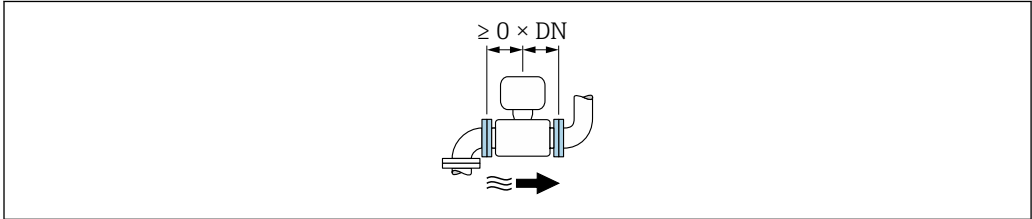
Devices and possible order options

Order code for "Electrodes"		
Option	Description	Design
J	1.4435/316L, pointed for 0 x DN inlet/outlet runs	0 x DN full-bore design ¹⁾
L	1.4435/316L for 0 x DN inlet/outlet runs	
M	Alloy C22 for 0 x DN inlet/outlet runs	
N	Tantalum for 0 x DN inlet/outlet runs	

1) "Full-bore" indicates a measuring tube cross-section corresponding to the nominal diameter without constriction. This means there is no pressure loss.

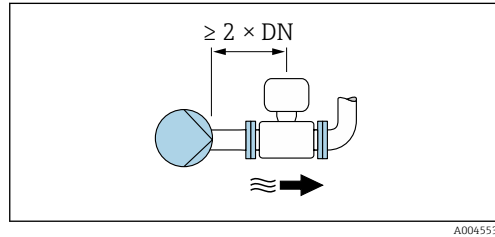
Installation before or after bends

Installation without inlet and outlet runs is possible.



Installation downstream of pumps

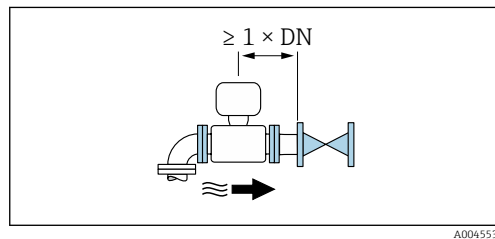
Installation without inlet and outlet runs is possible.



i An inlet run of $\geq 2 \times \text{DN}$ is recommended.

Installation upstream of valves

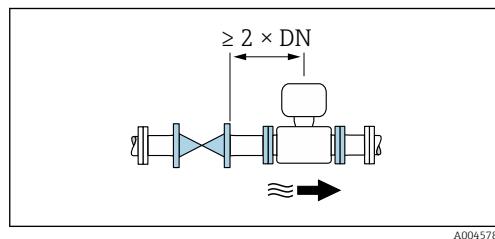
Installation without inlet and outlet runs is possible.



i An outlet run of $\geq 1 \times \text{DN}$ is recommended.

Installation downstream of valves

The device can be installed without inlet and outlet runs if the valve is 100% open during operation.



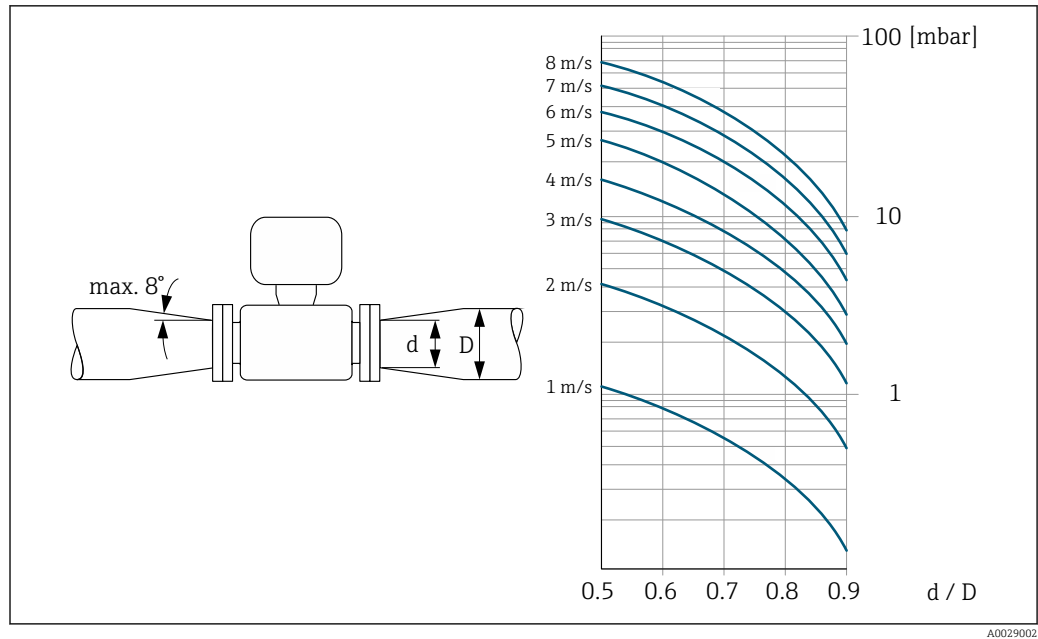
i An inlet run of $\geq 2 \times \text{DN}$ is recommended if the valve is 100% open during operation.

Adapters

The sensor can also be installed in larger-diameter pipes with the aid of suitable adapters according to DIN EN 545 (double-flange reducers). The resultant increase in the rate of flow improves measurement accuracy with very slow-moving fluids.

The nomogram shown here can be used to calculate the pressure loss caused by reducers and expanders:

- Calculate the ratio of the diameters d/D .
 - From the nomogram read off the pressure loss as a function of flow velocity (downstream from the reduction) and the d/D ratio.
- i**
- The nomogram only applies to liquids with a viscosity similar to that of water.
 - If the medium has a high viscosity, a larger measuring tube diameter can be considered in order to reduce pressure loss.



Length of connecting cable

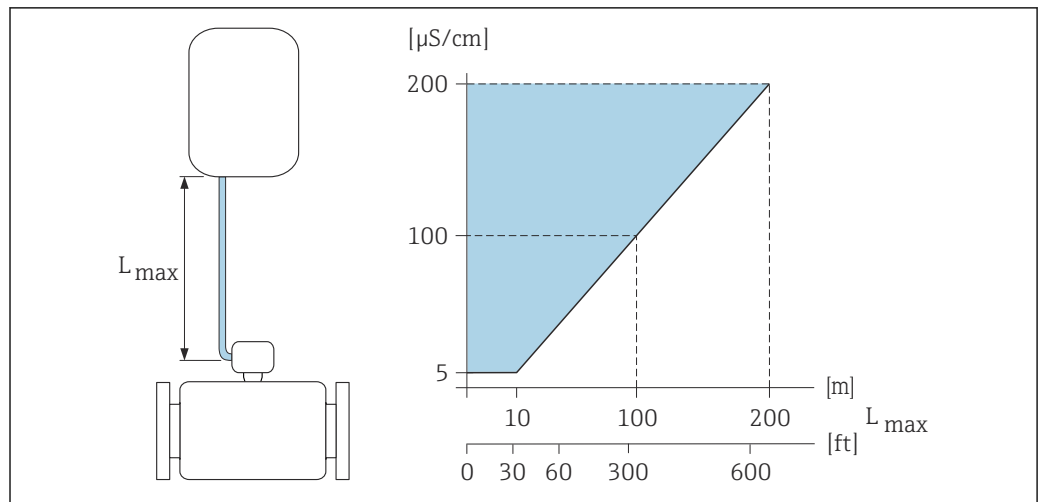
Proline 500 – digital transmitter

Lengths of connecting cable → 58

Proline 500 transmitter

Max. 200 m (650 ft)

To obtain correct measurement results, observe the permitted connecting cable length of L_{max} . This length is determined by the conductivity of the medium. If measuring liquids in general: $5 \mu S/cm$



16 Permitted length of connecting cable

Colored area = permitted range

L_{max} = length of connecting cable in [m] ([ft])

$[\mu S/cm]$ = medium conductivity

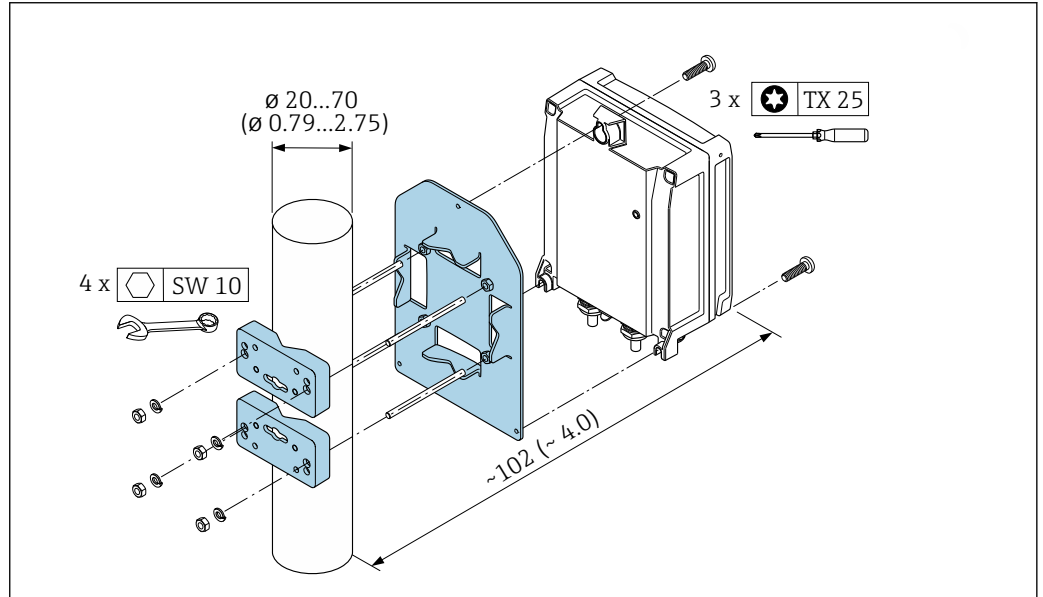
Installing the transmitter housing

Proline 500 – digital transmitter

Pipe mounting

Required tools:

- Open-ended wrench AF 10
- Torx screwdriver TX 25



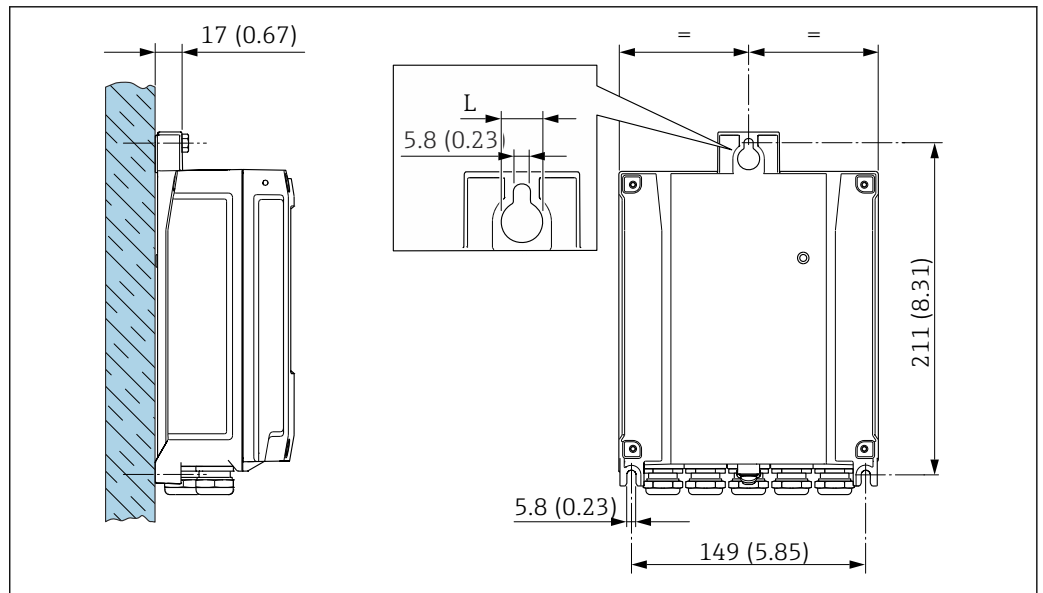
A0029051

17 Unit mm (in)

Wall mounting

Required tools:

Drill with drill bit $\varnothing 6.0$ mm



A0029054

18 Unit mm (in)

L Depends on order code for "Transmitter housing"

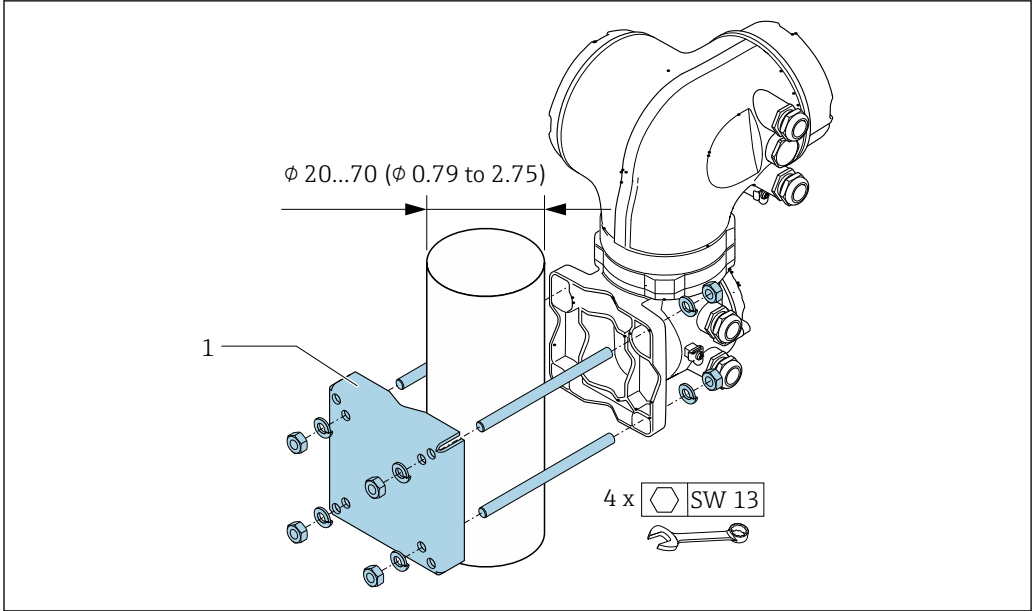
Order code for "Transmitter housing"

Option A, aluminum, coated: L = 14 mm (0.55 in)

Proline 500 transmitter

Pipe mounting

Required tools
Open-ended wrench AF 13

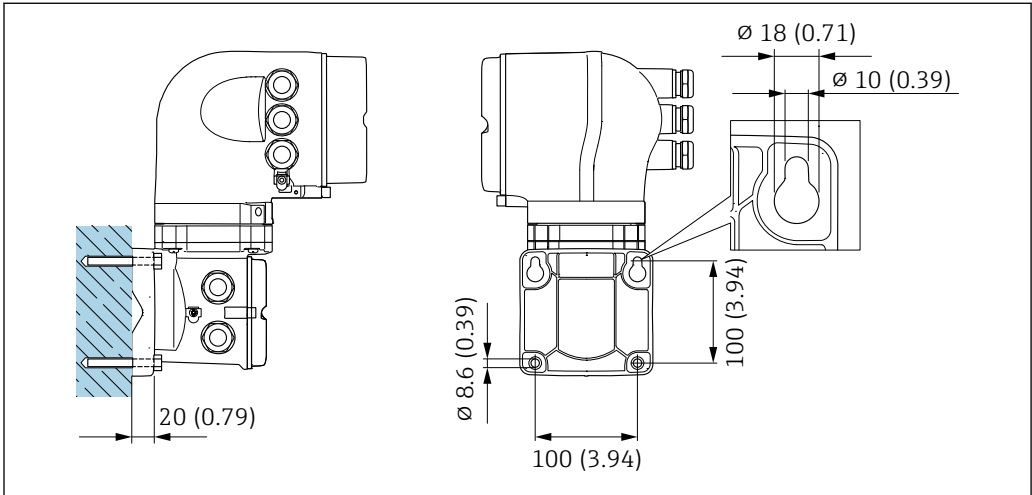


A0029057

19 Unit mm (in)

Wall mounting

Required tools
Drill with drill bit $\phi 6.0$ mm

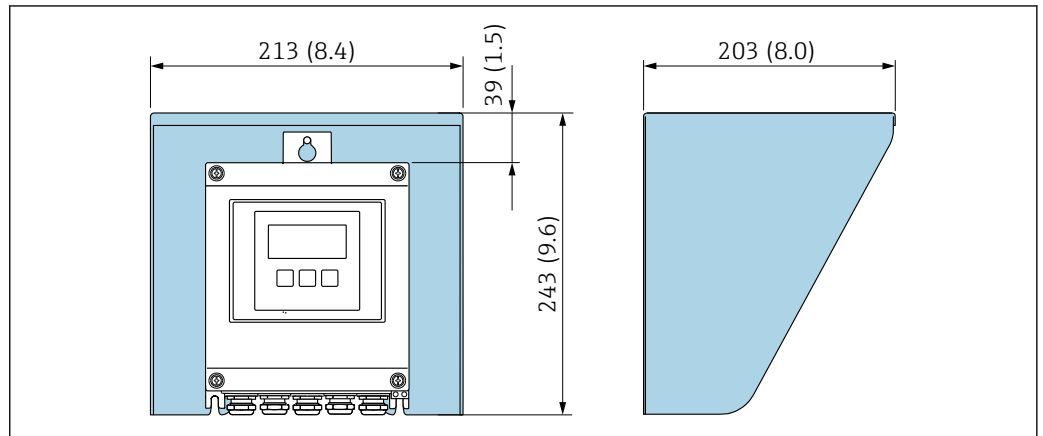


A0029066

20 Unit mm (in)

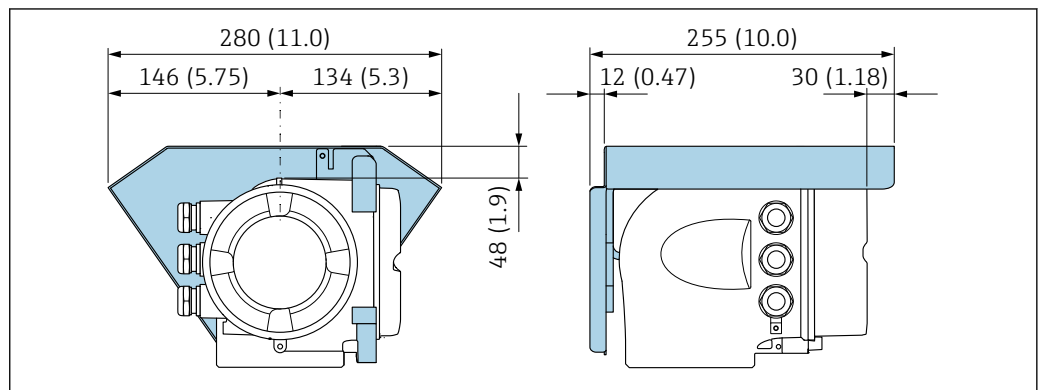
Special installation instructions

Protective cover



A0029552

21 Weather protection cover for Proline 500 – digital; unit mm (in)



A0029553

22 Weather protection cover for Proline 500 – unit mm (in)

Hygienic compatibility

i When installing in hygienic applications, please refer to the information in the "Certificates and approvals/hygienic compatibility" section → 135

Environment

Ambient temperature range

Transmitter	<ul style="list-style-type: none"> Standard: -40 to +60 °C (-40 to +140 °F) Optional: -50 to +60 °C (-58 to +140 °F) (Order code for "Test, certificate", option JN "Ambient temperature of transmitter -50 °C (-58 °F)")
Local display	-20 to +60 °C (-4 to +140 °F), the readability of the display may be impaired at temperatures outside the temperature range.
Sensor	-40 to +60 °C (-40 to +140 °F) If both the ambient and the medium temperatures are high, mount the sensor separately from the transmitter.
Liner	Do not exceed or fall below the permitted temperature range of the liner .


If operating outdoors:


- Install the measuring device in a shady location.
- Avoid direct sunlight, particularly in warm climatic regions.
- Avoid direct exposure to weather conditions.


Storage temperature	<p>The storage temperature corresponds to the operating temperature range of the transmitter and the sensor → 71.</p> <ul style="list-style-type: none"> ▪ Protect the measuring device against direct sunlight during storage in order to avoid unacceptably high surface temperatures. ▪ Select a storage location where moisture cannot collect in the measuring device as fungus or bacteria infestation can damage the liner. ▪ If protection caps or protective covers are mounted these should never be removed before installing the measuring device.
Atmosphere	<p>Additional protection against condensation and moisture: the sensor housing is potted with a gel. Order code for "Sensor option", option CF "Harsh environment".</p>
Relative humidity	<p>The device is suitable for use in outdoor and indoor areas with a relative humidity of 4 to 95%.</p>
Operating height	<p>According to EN 61010-1 $\leq 2\,000\text{ m}$ (6 562 ft)</p>
Degree of protection	<p>Transmitter</p> <ul style="list-style-type: none"> ▪ IP66/67, Type 4X enclosure, suitable for pollution degree 4 ▪ When the housing is open: IP20, Type 1 enclosure, suitable for pollution degree 2 ▪ Display module: IP20, Type 1 enclosure, suitable for pollution degree 2 <p>Sensor</p> <ul style="list-style-type: none"> ▪ IP66/67, Type 4X enclosure, suitable for pollution degree 4 ▪ When the housing is open: IP20, Type 1 enclosure, suitable for pollution degree 2 <p>External WLAN antenna</p> <p>IP66/67, type 4X enclosure</p>
Vibration resistance and shock resistance	<p>Sinusoidal vibration similar to IEC 60068-2-6</p> <ul style="list-style-type: none"> ▪ 2 to 8.4 Hz, 7.5 mm peak ▪ 8.4 to 2 000 Hz, 2 g peak <p>Broadband random vibration similar to IEC 60068-2-64</p> <ul style="list-style-type: none"> ▪ 10 to 200 Hz, 0.01 g²/Hz ▪ 200 to 2 000 Hz, 0.003 g²/Hz ▪ Total: 2.70 g rms <p>Half-sine shocks similar to IEC 60068-2-27</p> <p>6 ms 50 g</p> <p>Rough handling shocks similar to IEC 60068-2-31</p>
Mechanical load	<p>Transmitter housing and sensor connection housing:</p> <ul style="list-style-type: none"> ▪ Protect against mechanical effects, such as shock or impact ▪ Do not use as a ladder or climbing aid


Electromagnetic compatibility (EMC)

- As per IEC/EN 61326 and NAMUR Recommendation 21 (NE 21), NAMUR Recommendation 21 (NE 21) is fulfilled when the device is installed in accordance with NAMUR Recommendation 98 (NE 98).
- As per IEC/EN 61000-6-2 and IEC/EN 61000-6-4
- Device version with PROFIBUS DP: Complies with emission limits for industry as per EN 50170 Volume 2, IEC 61784

 The following applies for PROFIBUS DP: If baud rates > 1.5 MBaud, an EMC cable entry must be used and the cable shield must continue as far as the terminal wherever possible.

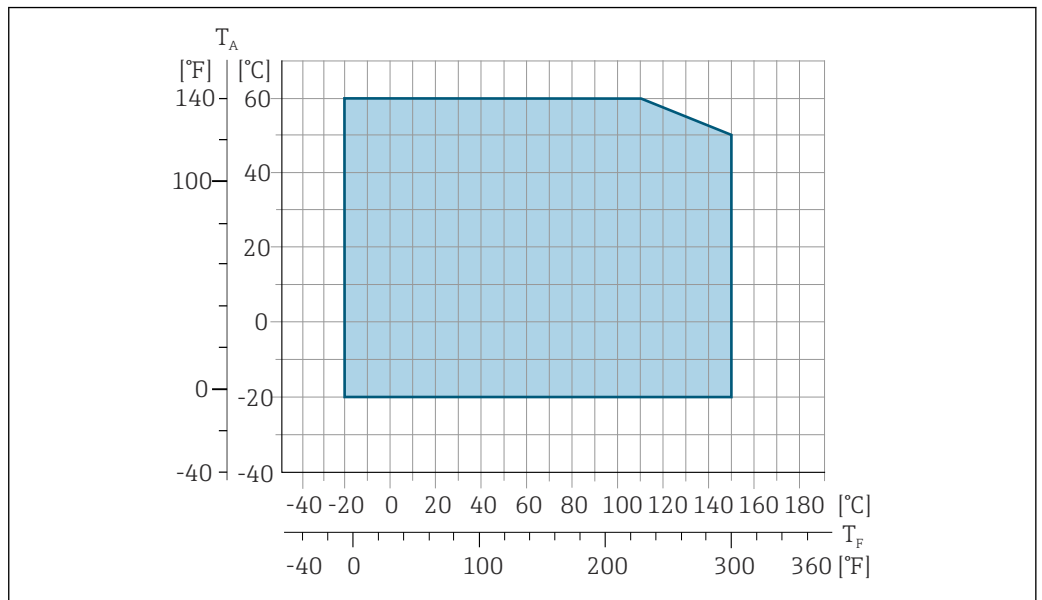
 Details are provided in the Declaration of Conformity.

 This unit is not intended for use in residential environments and cannot guarantee adequate protection of the radio reception in such environments.

 The selection of a sensor with a steel housing is recommended for use in the vicinity of electrical power supply lines with strong currents.

Process

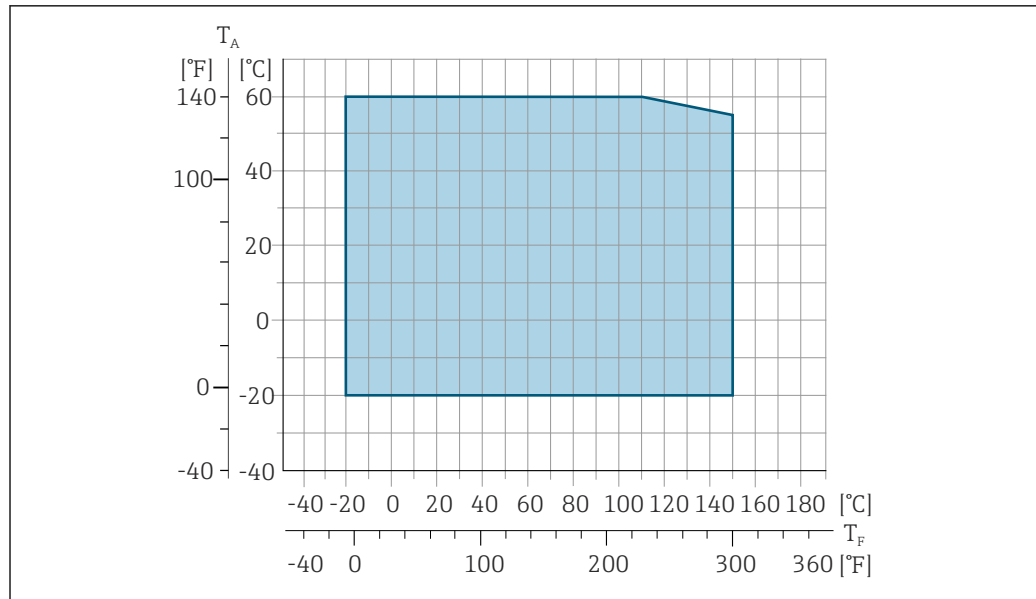
Medium temperature range -20 to +150 °C (-4 to +302 °F)



 23 Promag 500 – digital

T_A Ambient temperature range

T_F Fluid temperature



24 Promag 500

T_A Ambient temperature range

T_F Fluid temperature

i The permitted fluid temperature in custody transfer is 0 to +50 °C (+32 to +122 °F).

Conductivity

≥5 μS/cm for liquids in general.

i Proline 500

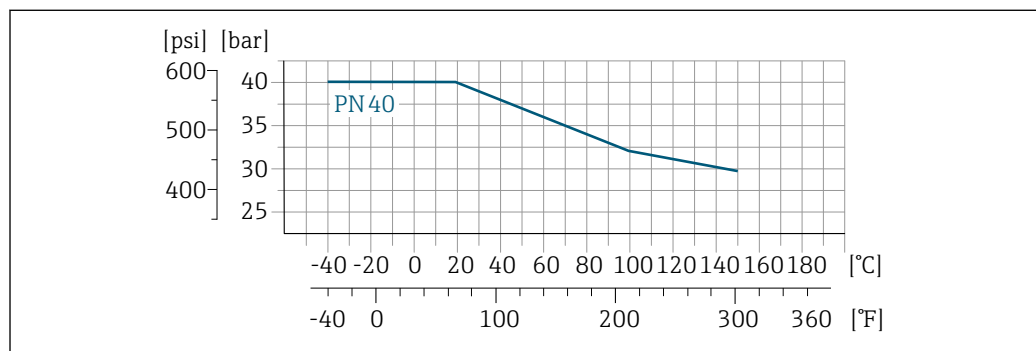
The necessary minimum conductivity also depends on the length of the connecting cable
→ 68.

Pressure-temperature ratings

The following graphics contain material load diagrams (reference curves) for different process connections in relation to the medium temperature.

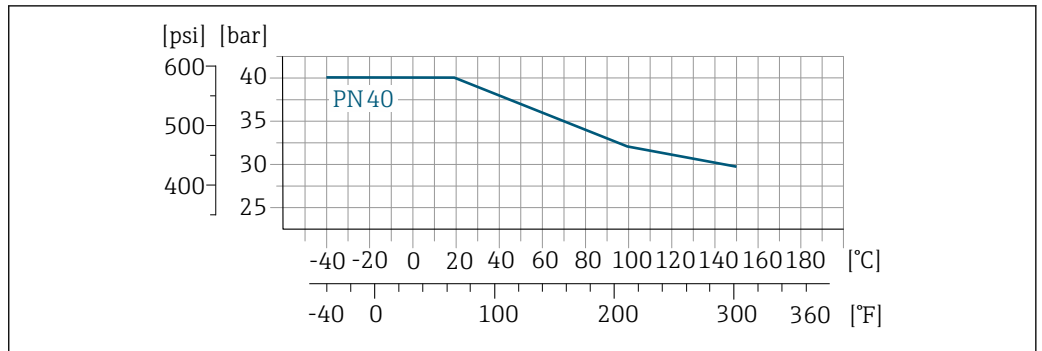
Process connections with O-ring seal, DN 2 to 25 (1/12 to 1")

Process connection: welding nipple similar to DIN EN ISO 1127, ISO 2037; coupling similar to ISO 228/DIN 2999, NPT

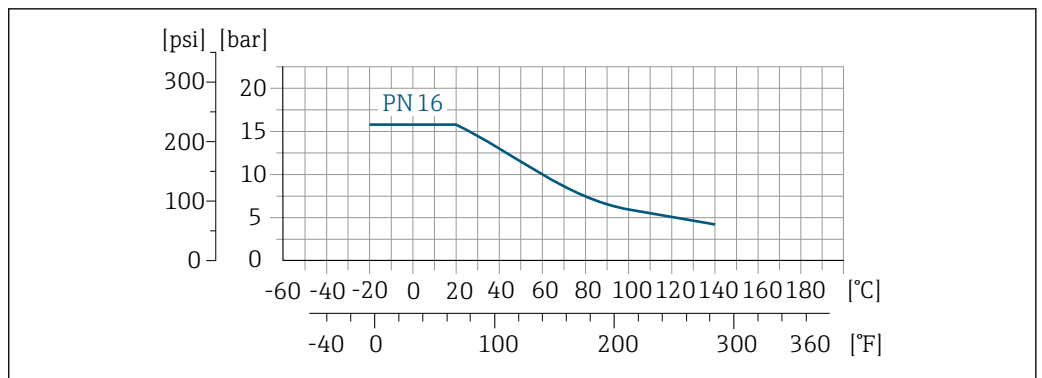


25 Process connection material: stainless steel, 1.4404 (F316L)

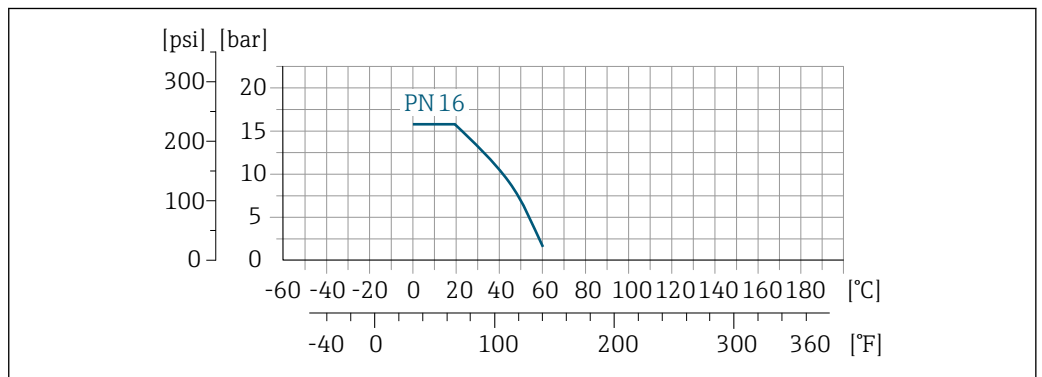
Process connection: flange similar to EN 1092-1 (DIN 2501), adhesive fitting



26 Process connection material: stainless steel, 1.4404 (F316L)

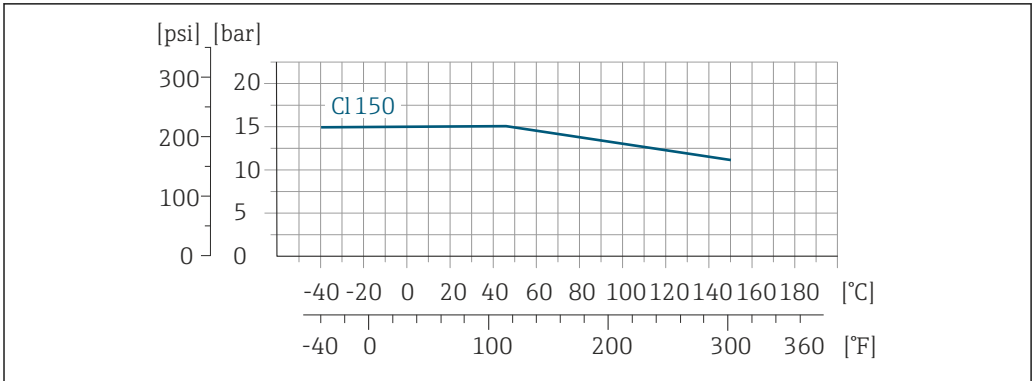


27 Process connection material: PVDF



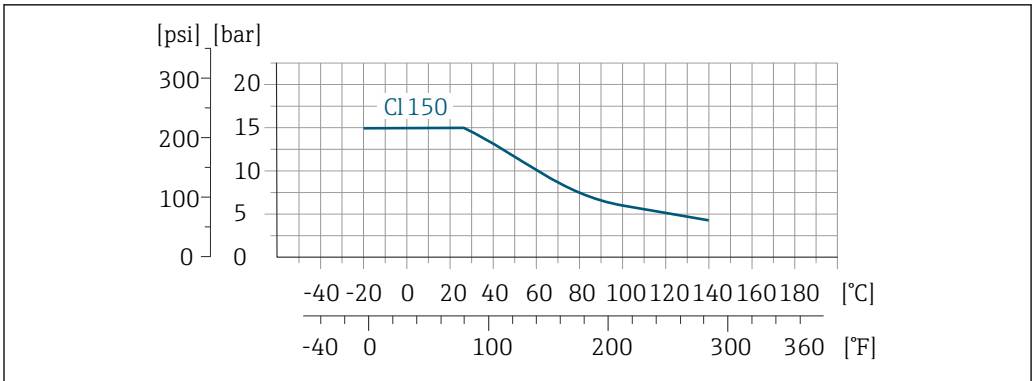
28 Process connection material: PVC-U

Process connection: flange similar to ASME B16.5



A0028936-EN

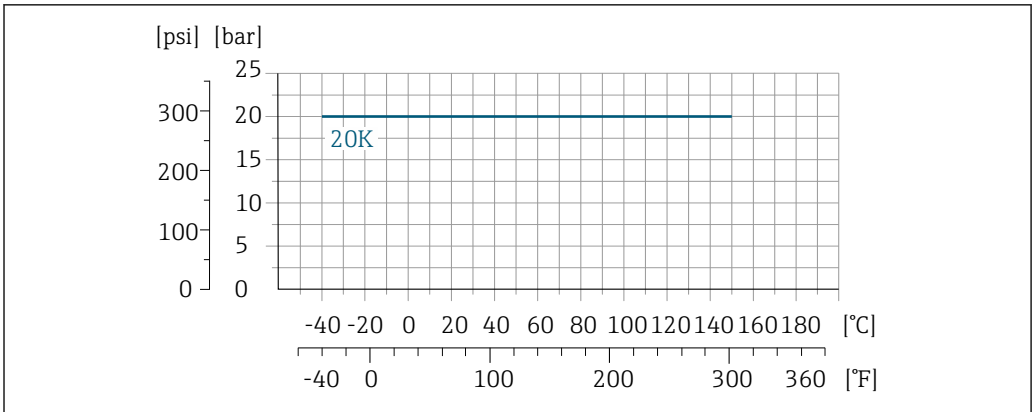
29 Process connection material: stainless steel, 1.4404 (F316L)



A0028937-EN

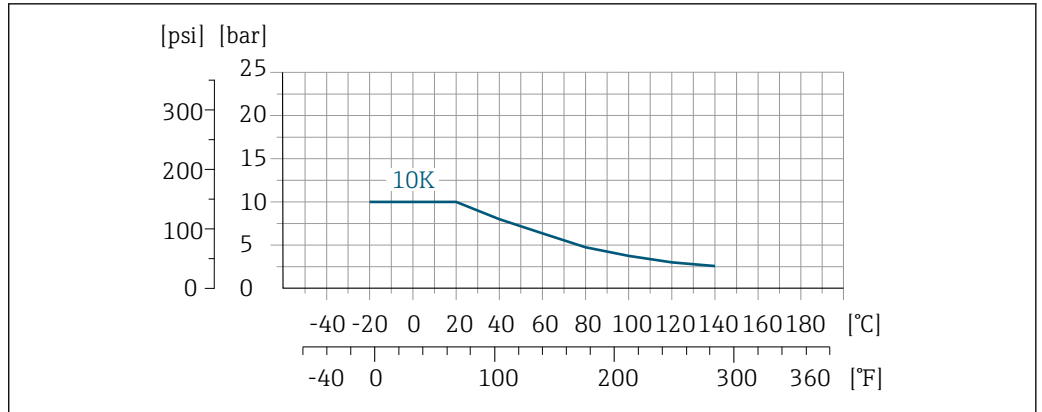
30 Process connection material: PVDF

Process connection: flange similar to JIS B2220



A0028938-EN

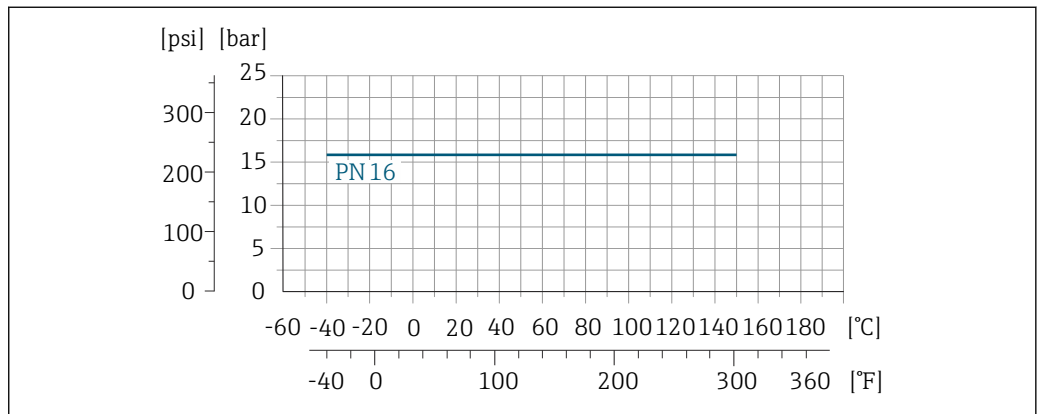
31 Process connection material: stainless steel, 1.4404 (F316L)



32 Process connection material: PVDF

Process connections with aseptic gasket seal, DN 2 to 25 (1/12 to 1")

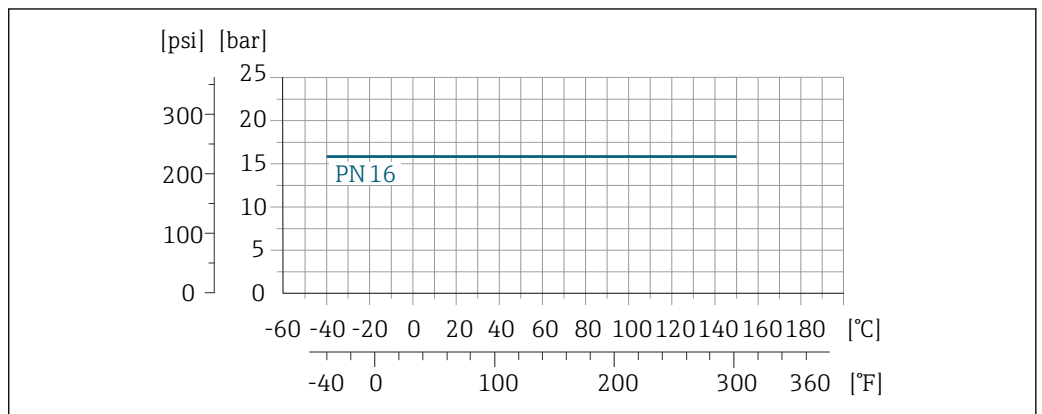
Process connection: welding nipple similar to EN 10357, ASME BPE, ISO 2037; clamp similar to ISO 2852, DIN 32676; coupling similar to DIN 11851, DIN 11864-1, SMS 1145; flange similar to DIN 11864-2



33 Process connection material: stainless steel, 1.4404 (F316L)

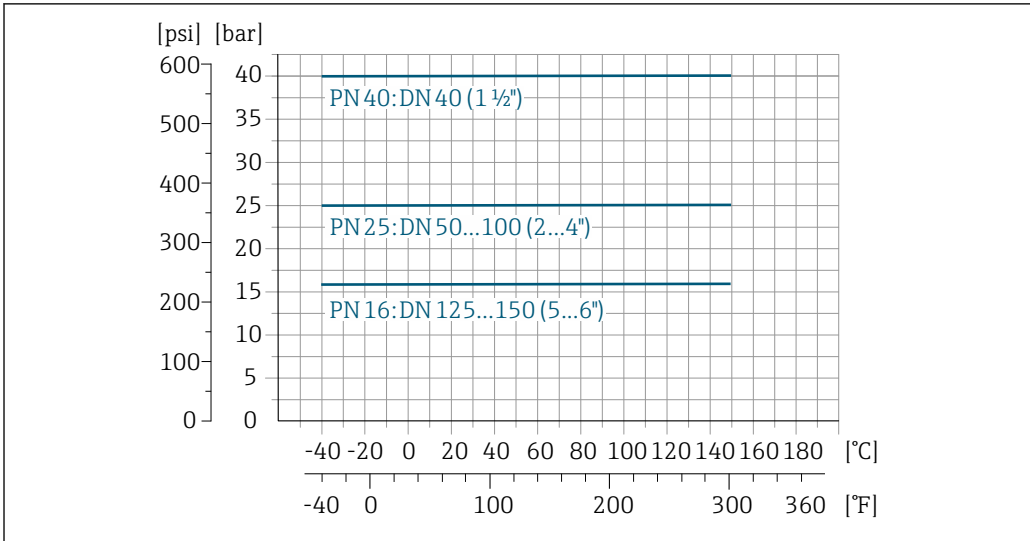
Process connections with aseptic gasket seal, DN 40 to 150 (1 1/2 to 6")

Process connection: coupling similar to SMS 1145



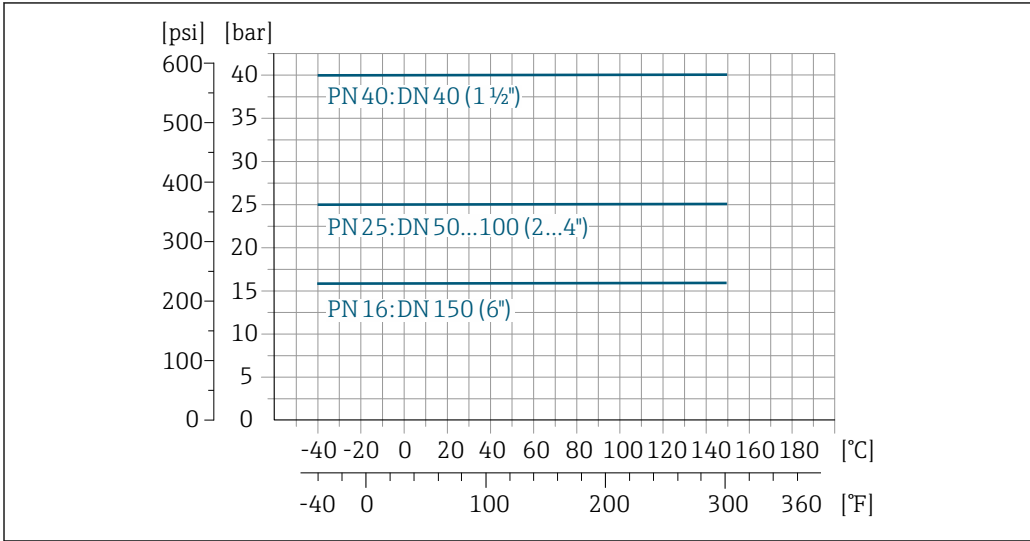
34 Process connection material: stainless steel, 1.4404 (F316L)

Process connection: welding nipple similar to EN 10357; coupling similar to DIN 11851



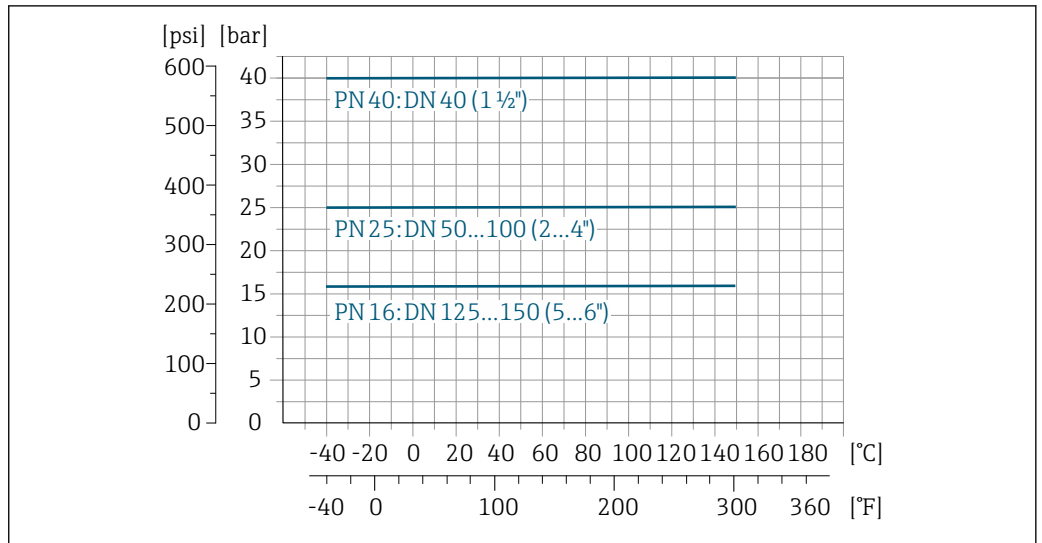
35 Process connection material: stainless steel, 1.4404 (F316L)

Process connection: welding nipple similar to ASME BPE



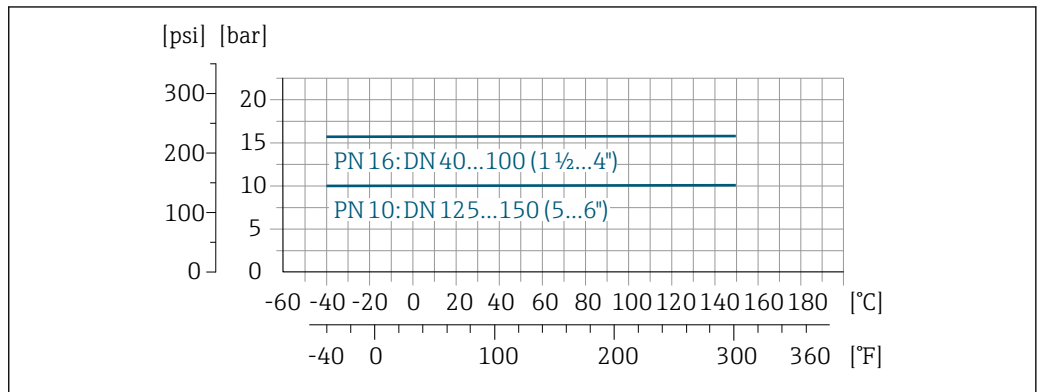
A0028942-EN

Process connection: welding nipple similar to ISO 2037



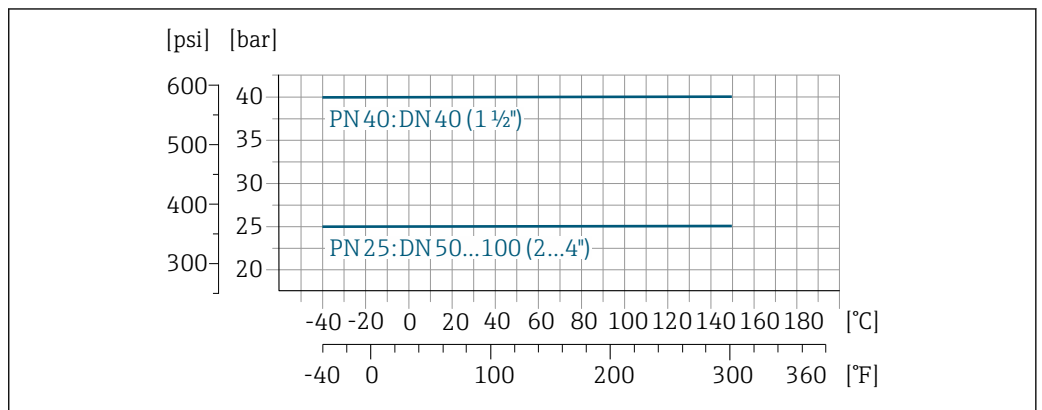
36 Process connection material: stainless steel, 1.4404 (F316L)

Process connection: clamp similar to ISO 2852, DIN 32676



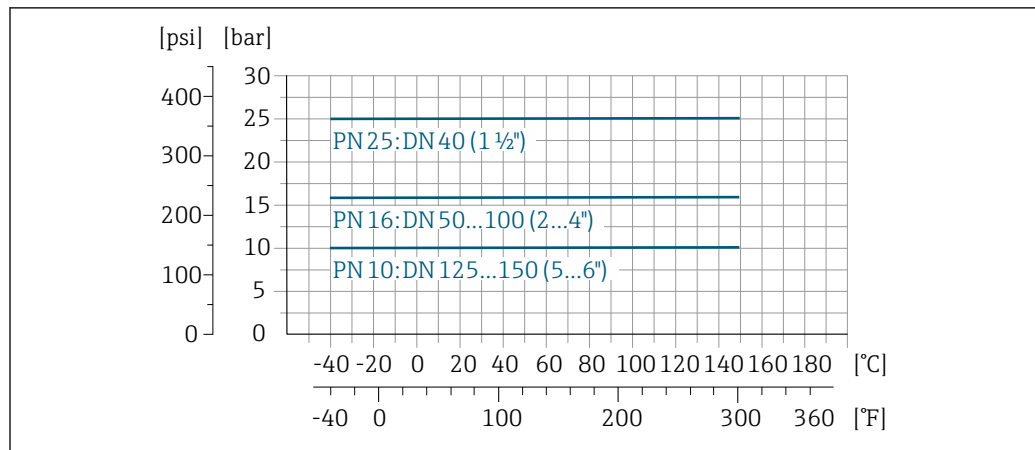
37 Process connection material: stainless steel, 1.4404 (F316L)

Process connection: coupling similar to DIN 11864-1, ISO 2853



38 Process connection material: stainless steel, 1.4404 (F316L)

Process connection: flange similar to DIN 11864-2



A0028945-EN

39 Process connection material: stainless steel, 1.4404 (F316L)

Pressure tightness

Liner: PFA

Nominal diameter		Limit values for absolute pressure in [mbar] ([psi]) for medium temperatures:				
[mm]	[in]	+25 °C (+77 °F)	+80 °C (+176 °F)	+100 °C (+212 °F)	+130 °C (+266 °F)	+150 °C (+302 °F)
2 to 150	1/12 to 6	0 (0)	0 (0)	0 (0)	0 (0)	0 (0)

Flow limit

The diameter of the pipe and the flow rate determine the nominal diameter of the sensor. The optimum velocity of flow is between 2 to 3 m/s (6.56 to 9.84 ft/s). Also match the velocity of flow (v) to the physical properties of the medium:

- v < 2 m/s (6.56 ft/s): for low conductivity values
- v > 2 m/s (6.56 ft/s): for media producing buildup (e.g. milk with a high fat content)
- i** ▪ A necessary increase in the flow velocity can be achieved by reducing the sensor nominal diameter.
 - In the case of media with a high solids content, a sensor with a nominal diameter > DN 8 (3/8") can improve the signal stability and cleanability due to the larger electrodes.

Pressure loss

- No pressure loss occurs as of nominal diameter DN 8 (5/16") if the sensor is installed in a pipe with the same nominal diameter.
- Pressure losses for configurations incorporating adapters according to DIN EN 545 → 67

System pressure

Installation near pumps → 63

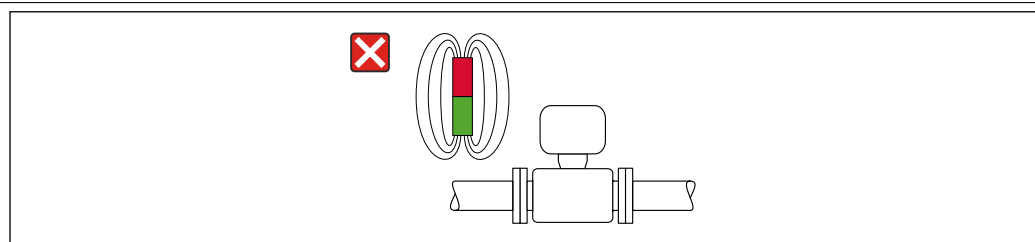
Internal cleaning

- CIP cleaning
- SIP cleaning

Vibrations

Installation in event of pipe vibrations → 64

Magnetism and static electricity



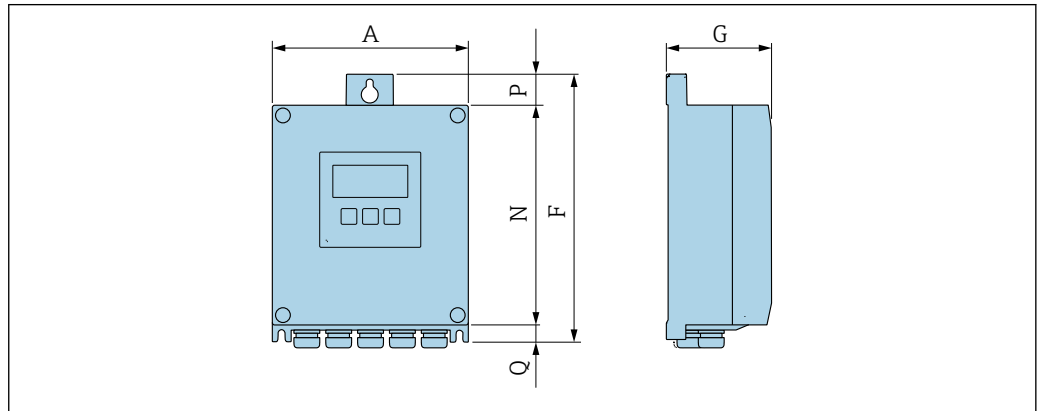
A0042152

40 Avoid magnetic fields

Mechanical construction

Dimensions in SI units

Housing of Proline 500 – digital transmitter



A0033789

Order code for "Transmitter housing", option A "Aluminum, coated" and order code for "Integrated ISEM electronics", option A "Sensor"

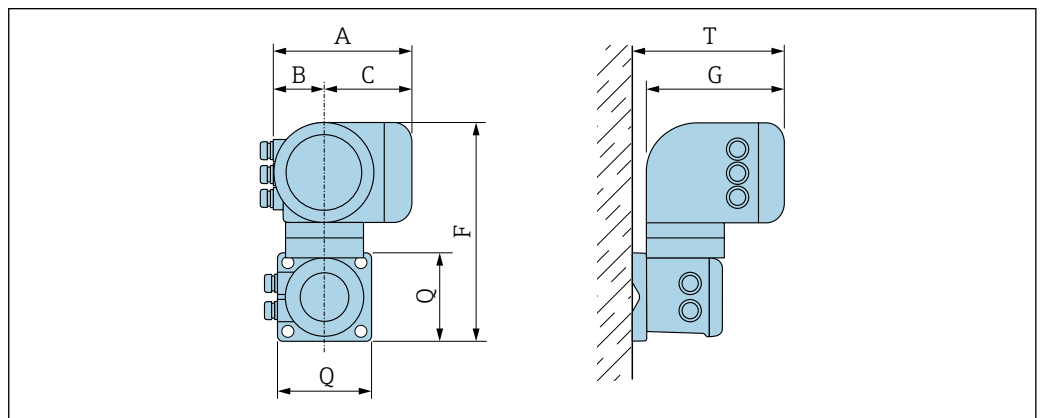
A [mm]	F [mm]	G [mm]	N [mm]	P [mm]	Q [mm]
167	232	89	187	24	21

Order code for "Transmitter housing", option D "Polycarbonate" and order code for "Integrated ISEM electronics", option A "Sensor"

A [mm]	F [mm]	G [mm]	N [mm]	P [mm]	Q [mm]
177	234	89	197	17	22

Housing of Proline 500 transmitter

Hazardous area: Zone 2; Class I, Division 2 or Zone 1; Class I, Division 1

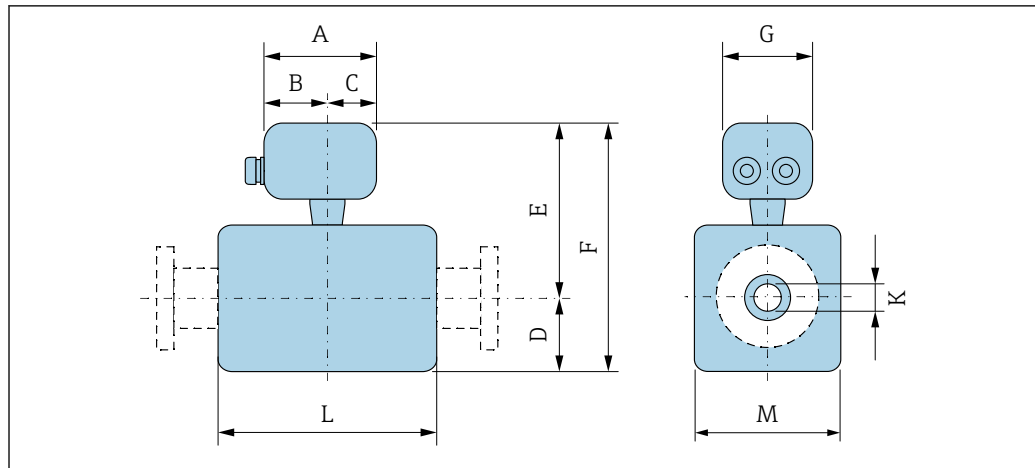


A0033788

Order code for "Transmitter housing", option A "Aluminum, coated" and order code for "Integrated ISEM electronics", option B "Transmitter"

A [mm]	B [mm]	C [mm]	F [mm]	G [mm]	Q [mm]	T [mm]
188	85	103	318	217	130	239

Sensor connection housing



A0035761

Order code for "Sensor connection housing", option A "Aluminum, coated"

DN [mm]	A [mm]	B [mm]	C [mm]	D [mm]	E [mm]	F [mm]	G [mm]	K [mm]	L ¹⁾ [mm]	M [mm]
2	148	94	54	55	178	233	136	2.25	86	43
4	148	94	54	55	178	233	136	4.50	86	43
8	148	94	54	55	178	233	136	9.00	86	43
15	148	94	54	55	178	233	136	16.0	86	43
25	148	94	54	55	178	233	136	22.6	86	56
40	148	94	54	54	178	232	136	34.8	140	107
50	148	94	54	60	184	244	136	47.5	140	120
65	148	94	54	68	195	263	136	60.2	140	135
80	148	94	54	74	198	272	136	72.9	140	148
100	148	94	54	87	212	299	136	97.4	140	174
125	148	94	54	103	227	330	136	120.0	200	206
150	148	94	54	117	241	358	136	146.9	200	234

1) Total installed length depends on process connections. → 85

Order code for "Sensor connection housing", option B "Stainless, hygienic"

DN [mm]	A [mm]	B [mm]	C [mm]	D [mm]	E [mm]	F [mm]	G [mm]	K [mm]	L ¹⁾ [mm]	M [mm]
2	137	78	59	55	174	229	134	2.25	86	43
4	137	78	59	55	174	229	134	4.50	86	43
8	137	78	59	55	174	229	134	9.00	86	43
15	137	78	59	55	174	229	134	16.0	86	43
25	137	78	59	55	174	229	134	22.6	86	56
40	137	78	59	54	173	226	134	34.8	140	107
50	137	78	59	60	180	240	134	47.5	140	120
65	137	78	59	68	190	258	134	60.2	140	135
80	137	78	59	74	194	267	134	72.9	140	148
100	137	78	59	87	207	294	134	97.4	140	174

DN	A	B	C	D	E	F	G	K	L ¹⁾	M
[mm]	[mm]	[mm]	[mm]	[mm]	[mm]	[mm]	[mm]	[mm]	[mm]	[mm]
125	137	78	59	103	223	325	134	120.0	200	206
150	137	78	59	117	237	353	134	146.9	200	234

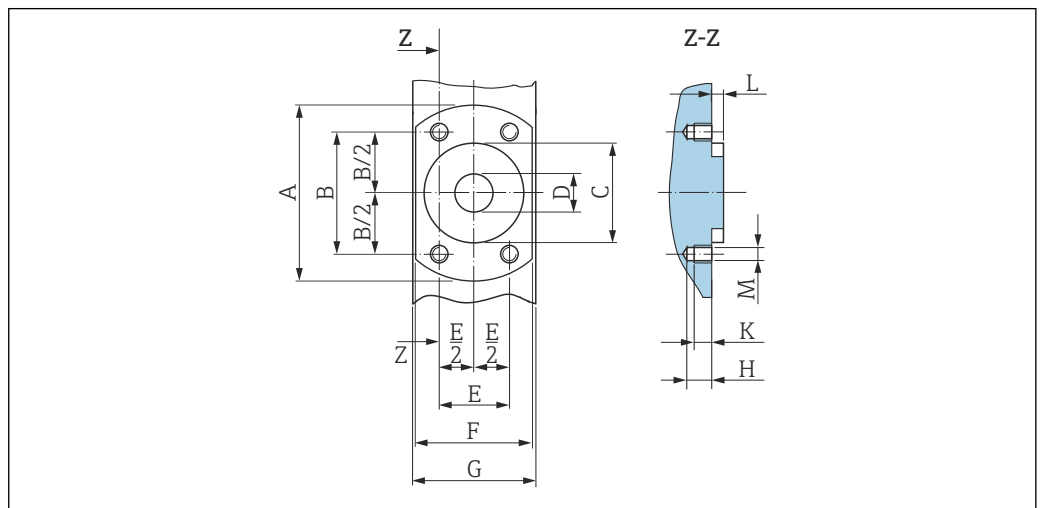
1) Total installed length depends on process connections. → 85

Order code for "Sensor connection housing", option C "Ultra-compact hygienic, stainless"

DN	A	B	C	D	E	F	G	K	L ¹⁾	M
[mm]	[mm]	[mm]	[mm]	[mm]	[mm]	[mm]	[mm]	[mm]	[mm]	[mm]
2	124	68	56	55	173	228	112	2.25	86	43
4	124	68	56	55	173	228	112	4.50	86	43
8	124	68	56	55	173	228	112	9.00	86	43
15	124	68	56	55	173	228	112	16.0	86	43
25	124	68	56	55	174	229	112	22.6	86	56
40	124	68	56	54	173	227	112	34.8	140	107
50	124	68	56	60	179	239	112	47.5	140	120
65	124	68	56	68	190	258	112	60.2	140	135
80	124	68	56	74	193	267	112	72.9	140	148
100	124	68	56	87	207	294	112	97.4	140	174
125	124	68	56	103	222	325	112	120.0	200	206
150	124	68	56	117	236	353	112	146.9	200	234

1) Total installed length depends on process connections. → 85

Sensor flange connection

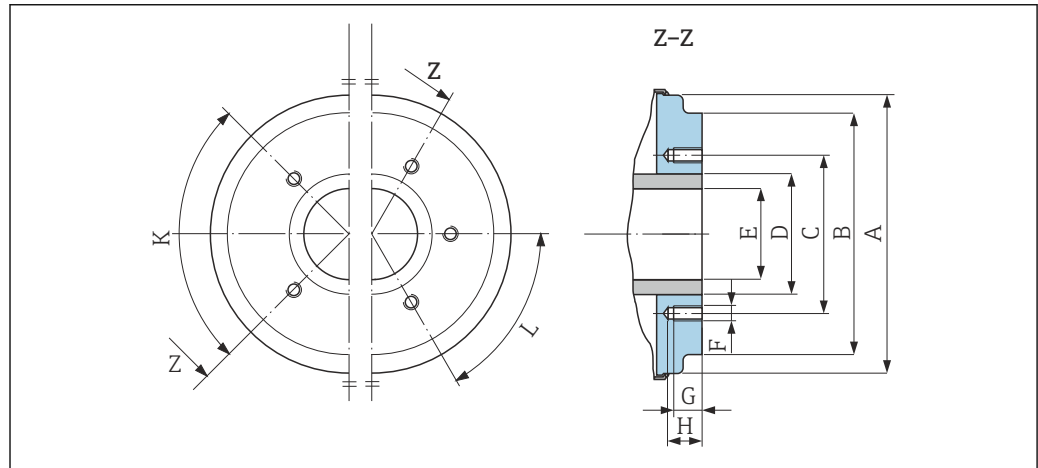


A0017657

41 Front view without process connections

DN	A	B	C	D	E	F	G	H	K	L	M
[mm]	[mm]	[mm]	[mm]	[mm]	[mm]	[mm]	[mm]	[mm]	[mm]	[mm]	[mm]
2	62	41.6	34	9	24	42	43	8.5	6	4	M6
4	62	41.6	34	9	24	42	43	8.5	6	4	M6

DN	A	B	C	D	E	F	G	H	K	L	M
[mm]	[mm]	[mm]	[mm]	[mm]	[mm]	[mm]	[mm]	[mm]	[mm]	[mm]	[mm]
8	62	41.6	34	9	24	42	43	8.5	6	4	M6
15	62	41.6	34	16	24	42	43	8.5	6	4	M6
25	72	50.2	44	26	29	55	56	8.5	6	4	M6



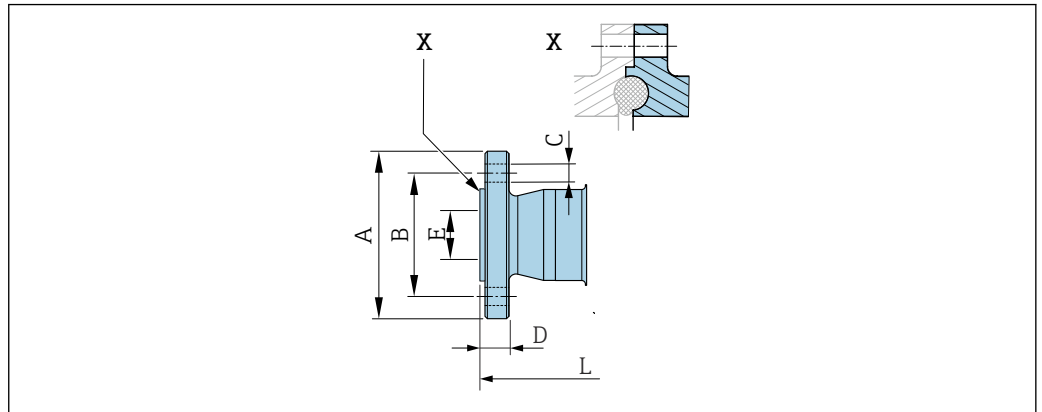
A0005528

42 Front view without process connections

DN	A	B	C	D	E	F	G	H	K	L
[mm]	[mm]	[mm]	[mm]	[mm]	[mm]	[mm]	[mm]	[mm]	90° ±0.5°	60° ±0.5°
									Tapped holes	
40	99.7	85.8	71.0	48.3	34.8	M8	12	17	4	-
50	112.7	98.8	83.5	60.3	47.5	M8	12	17	4	-
65	127.7	114.8	100.0	76.1	60.2	M8	12	17	-	6
80	140.7	133.5	114.0	88.9	72.9	M8	12	17	-	6
100	166.7	159.5	141.0	114.3	97.4	M8	12	17	-	6
125	198.7	191.5	171.0	139.7	120.0	M10	15	20	-	6
150	226.7	219.5	200.0	168.3	146.9	M10	15	20	-	6

Flange connections

Female with aseptic gasket seal



A0043232

43 Detail X: Asymmetrical process connection; the part shown in blue is provided by the supplier.

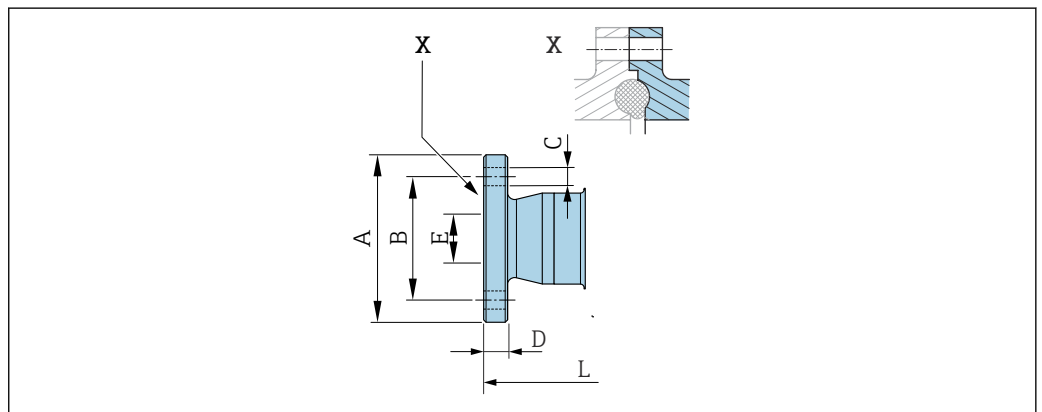
Flange DIN 11864-2, aseptic female, Form A
1.4404 (316L), suitable for pipe according to EN 10357 series A, female
Order code for "Process connection", option DES/DQS

DN [mm]	Suitable for pipe according to EN 10357 series A [mm]	A [mm]	B [mm]	C [mm]	D [mm]	E [mm]	L [mm]
2 to 8 ¹⁾	13 × 1.5 (DN 10)	54	37	4 × Ø9	10	10	183
15	19 × 1.5 (DN 15)	59	42	4 × Ø9	10	16	183
25	29 × 1.5 (DN 25)	70	53	4 × Ø9	10	26	183

Surface roughness: Ra_{max} = 0.76 µm, optional order code for "Service", option HJ: Ra_{max} = 0.38 µm electropolished
 Please note the internal diameters of the measuring tube and process connection (E) when cleaning with pigs.

1) With DN 10 flanges as standard

Flange with notch with aseptic gasket seal



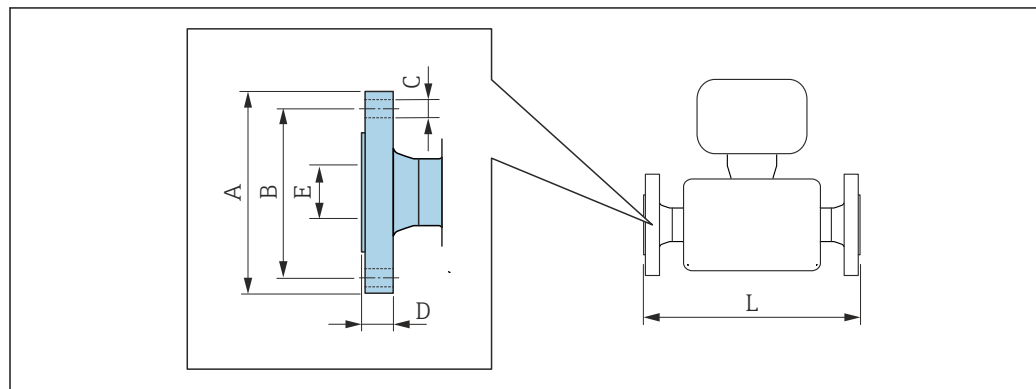
A0042819

44 Detail X: Asymmetrical process connection; the part shown in blue is provided by the supplier.

Flange DIN 11864-2, aseptic flange with notch, Form A 1.4404 (316L), suitable for pipe according to EN 10357 series A, flange with notch Order code for "Process connection", option DES/DRS							
DN [mm]	Suitable for pipe according to EN 10357 series A [mm]	A [mm]	B [mm]	C [mm]	D [mm]	E [mm]	L [mm]
40	41 × 1.5	82	65	4 × Ø9	10	38	246
50	53 × 1.5	94	77	4 × Ø9	10	50	246
65	70 × 2	113	95	8 × Ø9	10	66	246
80	85 × 2	133	112	8 × Ø11	10	81	270
100	104 × 2	159	137	8 × Ø11	10	100	278
125	129 × 2	183	161	8 × Ø11	10	125	362
150	154 × 2	213	188	8 × Ø14	10	150	362

Surface roughness: $Ra_{max} = 0.76 \mu\text{m}$, optional order code for "Service", option HJ: $Ra_{max} = 0.38 \mu\text{m}$ electropolished
Please note the internal diameters of the measuring tube and process connection (E) when cleaning with pigs.

Flanges with O-ring seal



A0015621

Flange similar to EN 1092-1 (DIN 2501), Form B: PN 40 1.4404 (316L) Order code for "Process connection", option D5S						
DN [mm]	A [mm]	B [mm]	C [mm]	D [mm]	E [mm]	L [mm]
2 to 8 ¹⁾	95	65	4 × Ø14	16	17.3	198.4
15	95	65	4 × Ø14	16	17.3	198.4
25	115	85	4 × Ø14	18	28.5	198.4

Surface roughness: $Ra_{max} = 1.6 \mu\text{m}$

1) DN 2 to 8 with DN 15 flanges as standard

Flange similar to ASME B16.5: Class 150 1.4404 (316L) Order code for "Process connection", option A1S						
DN [mm]	A [mm]	B [mm]	C [mm]	D [mm]	E [mm]	L [mm]
2 to 8 ¹⁾	90	60.3	4 × Ø15.7	11.2	15.7	218
15	90	60.3	4 × Ø15.7	11.2	15.7	218

Flange similar to ASME B16.5: Class 150 1.4404 (316L)						
<i>Order code for "Process connection", option A1S</i>						
DN [mm]	A [mm]	B [mm]	C [mm]	D [mm]	E [mm]	L [mm]
25	110	79.4	4 × Ø15.7	14.2	26.7	230

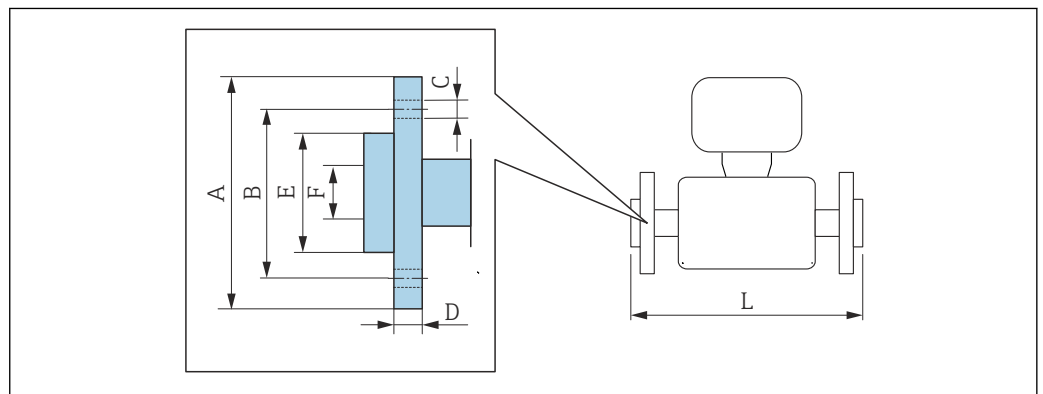
Surface roughness: Ra_{max} = 1.6 µm

- 1) DN 2 to 8 with DN 15 flanges as standard

Flange similar to JIS/t20615, 20 K 1.4404 (316L)						
<i>Order code for "Process connection", option N4S</i>						
DN [mm]	A [mm]	B [mm]	C [mm]	D [mm]	E [mm]	L [mm]
2 to 8 ¹⁾	95	70	4 × Ø15	14	15	220
15	95	70	4 × Ø15	14	15	220
25	125	90	4 × Ø19	16	25	220

Surface roughness: Ra_{max} = 1.6 µm

- 1) DN 2 to 8 with DN 15 flanges as standard



Lap joint flange similar to EN 1092-1 (DIN 2501): PN 16 PVDF							
<i>Order code for "Process connection", option D3P</i>							
DN [mm]	A [mm]	B [mm]	C [mm]	D [mm]	E [mm]	F [mm]	L [mm]
2 to 8 ¹⁾	95	65	4 x Ø14	14.5	45	17.3	200
15	95	65	4 x Ø14	14.5	45	17.3	200
25	115	85	4 x Ø14	16.5	68	28.5	200

Surface roughness: Ra_{max} = 1.6 µm
The required grounding rings can be ordered as accessories (order code: DK5HR-****).

- 1) DN 2 to 8 with DN 15 flanges as standard

Lap joint flange with grounding electrode similar to EN 1092-1 (DIN 2501): PN 16							
PVDF							
<i>Order code for "Process connection", option D4P</i>							
DN [mm]	A [mm]	B [mm]	C [mm]	D [mm]	E [mm]	F [mm]	L [mm]
2 to 8 ¹⁾	95	65	4 x Ø14	14.5	45	17.3	200
15	95	65	4 x Ø14	14.5	45	17.3	200
25	115	85	4 x Ø14	16.5	68	28.5	200
Surface roughness: Ra _{max} = 1.6 µm Grounding rings are not necessary.							

1) DN 2 to 8 with DN 15 flanges as standard

Lap joint flange similar to ASME B16.5: Class 150							
PVDF							
<i>Order code for "Process connection", option A1P</i>							
DN [mm]	A [mm]	B [mm]	C [mm]	D [mm]	E [mm]	F [mm]	L [mm]
2 to 8 ¹⁾	90	60.3	4 × Ø 15.7	15	35.1	15.7	200
15	90	60.3	4 × Ø 15.7	15	35.1	15.7	200
25	110	79.4	4 × Ø 15.7	16	50.8	26.7	200
Surface roughness: Ra _{max} = 1.6 µm The required grounding rings can be ordered as accessories (order code: DK5HR-****).							

1) DN 2 to 8 with DN 15 flanges as standard

Lap joint flange with grounding electrode similar to ASME B16.5: Class 150							
PVDF							
<i>Order code for "Process connection", option A4P</i>							
DN [mm]	A [mm]	B [mm]	C [mm]	D [mm]	E [mm]	F [mm]	L [mm]
2 to 8 ¹⁾	90	60.3	4 × Ø 15.7	15	35.1	15.7	200
15	90	60.3	4 × Ø 15.7	15	35.1	15.7	200
25	110	79.4	4 × Ø 15.7	16	50.8	26.7	200
Surface roughness: Ra _{max} = 1.6 µm Grounding rings are not necessary.							

1) DN 2 to 8 with DN 15 flanges as standard

Lap joint flange similar to JIS B2220: 10K							
PVDF							
<i>Order code for "Process connection", option N3P</i>							
DN [mm]	A [mm]	B [mm]	C [mm]	D [mm]	E [mm]	F [mm]	L [mm]
2 to 8 ¹⁾	95	70	4 × Ø 15.7	15	35.1	15	200
15	95	70	4 × Ø 15.7	15	35.1	15	200
25	125	90	4 × Ø 15.7	16	50.8	19	200
Surface roughness: Ra _{max} = 1.6 µm The required grounding rings can be ordered as accessories (order code: DK5HR-****).							

1) DN 2 to 8 with DN 15 flanges as standard

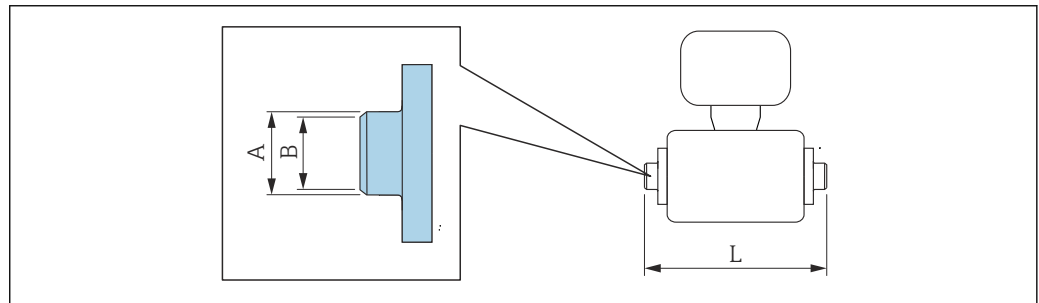
Lap joint flange with grounding electrode similar to JIS B2220: 10K PVDF							
<i>Order code for "Process connection", option N4P</i>							
DN [mm]	A [mm]	B [mm]	C [mm]	D [mm]	E [mm]	F [mm]	L [mm]
2 to 8 ¹⁾	95	70	4 × Ø 15.7	15	35.1	15	200
15	95	70	4 × Ø 15.7	15	35.1	15	200
25	125	90	4 × Ø 15.7	16	50.8	19	200

Surface roughness: Ra_{max} = 1.6 µm
Grounding rings are not necessary.

1) DN 2 to 8 with DN 15 flanges as standard

Welding nipple

Welding nipple with aseptic gasket seal



A0027510

Welding nipple according to EN 10357 1.4404 (316L), suitable for pipe EN 10357 series A				
<i>Order code for "Process connection", option DAS</i>				
DN [mm]	Suitable for pipe EN 10357 series A [mm]	A [mm]	B [mm]	L [mm]
2 to 8	13 × 1.5	13	10	132.6
15	19 × 1.5	19	16	132.6
25	29 × 1.5	29	26	132.6
40	41 × 1.5	41	38	220
50	53 × 1.5	53	50	220
65	70 × 2	70	66	220
80	85 × 2	85	81	220
100	104 × 2	104	100	220
125	129 × 2	129	125	300
150	154 × 2	154	150	300

Surface roughness: Ra_{max} = 0.76 µm, optional order code for "Service", option HJ: Ra_{max} = 0.38 µm
electropolished
Please note the internal diameters of the measuring pipe and process connection (B) when cleaning with pigs.

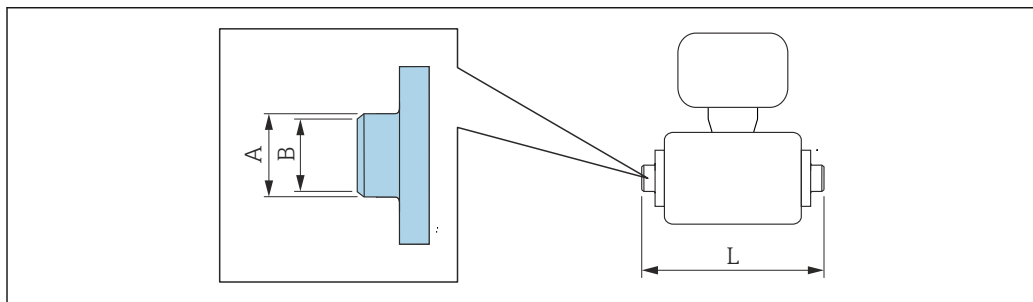
Welding nipple according to ISO 2037 1.4404 (316L), suitable for pipe ISO 2037 Order code for "Process connection", option IAS				
DN [mm]	Suitable for pipe ISO 2037 [mm]	A [mm]	B [mm]	L [mm]
2 to 8	12.7 × 1.65	12	10	118.2
15	19.05 × 1.65	18	16	118.2
25	25.4 × 1.60	25	22.6	118.2
40	38 × 1.2	38	35.6	220
50	51 × 1.2	51	48.6	220
65	63.5 × 1.6	63.5	60.3	220
80	76.1 × 1.6	76.1	72.9	220
100	101.6 × 2	101.6	97.6	220
125	139.7 × 2	139.7	135.7	380
150	168.3 × 2.6	168.3	163.1	380

Surface roughness: $Ra_{max} = 0.76 \mu\text{m}$, optional order code for "Service", option HJ: $Ra_{max} = 0.38 \mu\text{m}$
electropolished
Please note the internal diameters of the measuring pipe and process connection (B) when cleaning with pigs.

Welding nipple according to ASME BPE 1.4404 (316L), suitable for pipe according to ASME BPE and DIN 11866 series C Order code for "Process connection", option AAS				
DN [mm]	Suitable for pipe according to ASME BPE [mm]	A [mm]	B [mm]	L [mm]
2 to 8	12.7 × 1.65	12.7	9	118.2
15	19.1 × 1.65	19.1	16	118.2
25	25.4 × 1.65	25.4	22.6	118.2
40	38.1 × 1.65	38.1	34.8	220
50	50.8 × 1.65	50.8	47.5	220
65	63.5 × 1.65	63.5	60.2	220
80	76.2 × 1.65	76.2	72.9	220
100	101.6 × 1.65	101.6	97.4	220
150	152.4 × 2.77	152.4	146.9	300

Surface roughness: $Ra_{max} = 0.76 \mu\text{m}$, optional order code for "Service", option HJ: $Ra_{max} = 0.38 \mu\text{m}$
electropolished
Please note the internal diameters of the measuring pipe and process connection (B) when cleaning with pigs.

Welding nipple with O-ring seal



A0027510

Welding nipple according to ISO 1127
1.4404 (316L), suitable for pipe according to ISO 1127 series 1
Order code for "Process connection", option A2S

DN [mm]	Suitable for pipe according to ISO 1127 series 1 [mm]	A [mm]	B [mm]	L [mm]
2 to 8	13.5 × 2.30	13.5	9	126.6
15	21.3 × 2.65	21.3	16	126.6
25	33.7 × 3.25	33.7	27.2	126.6

Surface roughness: $Ra_{max} = 1.6 \mu m$

Welding nipple according to ISO 1127
1.4404 (316L), suitable for pipe according to ISO 1127 series 1 and DIN 11866 series B
Order code for "Process connection", option D1S

DN [mm]	Suitable for pipe according to ISO 1127 series 1 and DIN 11866 series B [mm]	A [mm]	B [mm]	L [mm]
2 to 8	13.5 × 1.6	13.5	10.3	126.6
15	21.3 × 1.6	21.3	18.1	126.6
25	33.7 × 2.0	33.7	29.7	126.6

Surface roughness: $Ra_{max} = 1.6 \mu m$

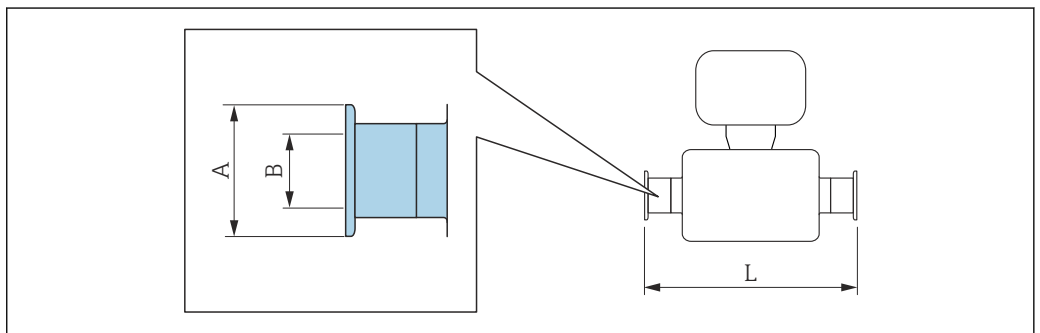
Welding nipple according to ISO 2037
1.4404 (316L), suitable for pipe ISO 203
Order code for "Process connection", option I1S

DN [mm]	Suitable for pipe ISO 2037 [mm]	A [mm]	B [mm]	L [mm]
2 to 8	13.5 × 2.3	13.5	9	126.6
15	21.3 × 2.65	21.3	16	126.6
25	33.7 × 3.25	33.7	27.2	126.6

Surface roughness: $Ra_{max} = 1.6 \mu m$

Clamp connections

Clamp connections with aseptic gasket seal



A0015625

Clamp according to DIN 32676 series A 1.4404 (316L)				
<i>Order code for "Process connection", option DBS</i>				
DN [mm]	Suitable for pipe [mm]	A [mm]	B [mm]	L [mm]
2 to 8	14 × 2 (DN 10)	34	10	168
15	20 × 2 (DN 15)	34	16	168
25	30 × 2 (DN 25)	50.5	26	175
40	41 × 1.5	50.5	38	220
50	53 × 1.5	64	50	220
65	70 × 2	91	66	220
80	85 × 2	106	81	220
100	104 × 2	119	100	220
125	129 × 2	155	125	300
150	154 × 2	183	150	300

Surface roughness: $Ra_{max} = 0.76 \mu\text{m}$, optional order code for "Service", option HJ: $Ra_{max} = 0.38 \mu\text{m}$ electropolished
Please note the internal diameters of the measuring tube and process connection (B) when cleaning with pigs.

Tri-Clamp 1.4404 (316L), suitable for pipe according to ASME BPE and DIN 11866 series C				
<i>Order code for "Process connection", option FAS</i>				
DN [mm]	Suitable for pipe according to ASME BPE [mm]	A [mm]	B [mm]	L [mm]
2 to 8	12.7 × 1.65	25	9.4	143
15	19.1 × 1.65	25	15.8	143
25	25.4 × 1.65	50.4	22.1	143
40	38.1 × 1.65	50.4	34.8	220
50	50.8 × 1.65	63.9	47.5	220
65	63.5 × 1.65	77.4	60.2	220
80	76.2 × 1.65	90.9	72.9	220
100	101.6 × 2.11	118.9	97.4	220
150	152.4 × 2.77	166.9	146.9	300

Surface roughness: $Ra_{max} = 0.76 \mu\text{m}$, optional order code for "Service", option HJ: $Ra_{max} = 0.38 \mu\text{m}$ electropolished
Please note the internal diameters of the measuring tube and process connection (B) when cleaning with pigs.

Clamp according to ISO 2852, Fig. 2 1.4404 (316L)				
<i>Order code for "Process connection", option IBS</i>				
DN [mm]	Suitable for pipe ISO 2037 [mm]	A [mm]	B [mm]	L [mm]
25	24.5 × 1.65	50.5	22.6	174.6
40	38 × 1.6	50.5	35.6	220
50	51 × 1.6	64	48.6	220
65	63.5 × 1.6	77.5	60.3	220
80	76.1 × 1.6	91	72.9	220
100	101.6 × 2	119	97.6	220

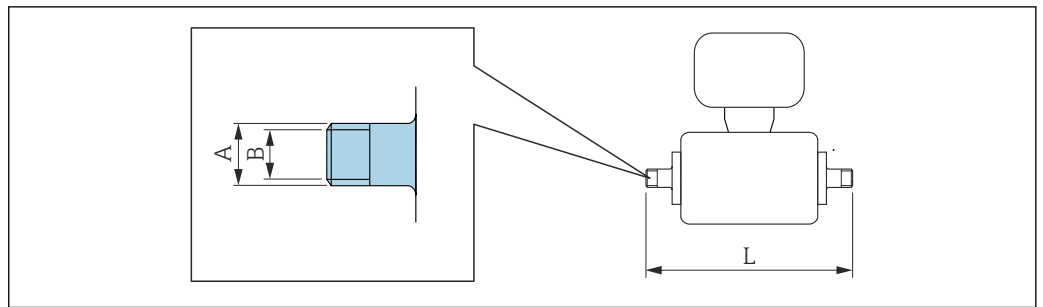
**Clamp according to ISO 2852, Fig. 2
1.4404 (316L)**
Order code for "Process connection", option IBS

DN [mm]	Suitable for pipe ISO 2037 [mm]	A [mm]	B [mm]	L [mm]
125	139.7 × 2	155	135.7	300
150	168.3 × 2.6	183	163.1	300

Surface roughness: $Ra_{max} = 0.76 \mu\text{m}$, optional order code for "Service", option HJ: $Ra_{max} = 0.38 \mu\text{m}$ electropolished
Please note the internal diameters of the measuring tube and process connection (B) when cleaning with pigs.

Couplings

Thread with aseptic gasket seal



A0027509

**Coupling DIN 11851, thread
1.4404 (316L), suitable for pipe EN 10357 series B**
Order code for "Process connection", option DCS

DN [mm]	Suitable for pipe EN 10357 series B [mm]	A [mm]	B [mm]	L [mm]
2 to 8	12 × 1 (DN 10)	Rd 28 × 1/8	10	174
15	18 × 1.5	Rd 34 × 1/8	16	174
25	28 × 1 or 28×1.5	Rd 52 × 1/6	26	190

Surface roughness: $Ra_{max} = 0.76 \mu\text{m}$, optional order code for "Service", option HJ: $Ra_{max} = 0.38 \mu\text{m}$ electropolished
Please note the internal diameters of the measuring pipe and process connection (B) when cleaning with pigs.

**Coupling DIN 11851, thread
1.4404 (316L), suitable for pipe EN 10357 series A**
Order code for "Process connection", option DCS

DN [mm]	Suitable for pipe EN 10357 series A [mm]	A [mm]	B [mm]	L [mm]
40	41 × 1.5	Rd 65 × 1/6	38	260
50	53 × 1.5	Rd 78 × 1/6	50	260
65	70 × 2	Rd 95 × 1/6	66	270
80	85 × 2	Rd 110 × 1/4	81	280
100	104 × 2	Rd 130 × 1/4	100	290
125	129 × 2	Rd 160 × 1/4	125	380
150	154 × 2	Rd 160 × 1/4	150	390

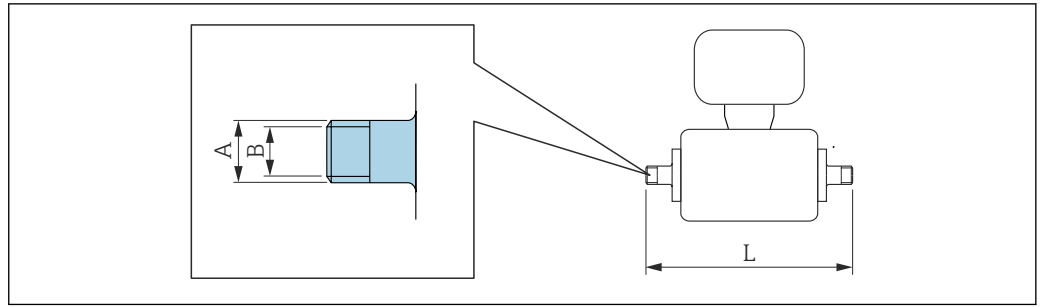
Surface roughness: $Ra_{max} = 0.76 \mu\text{m}$, optional order code for "Service", option HJ: $Ra_{max} = 0.38 \mu\text{m}$ electropolished
Please note the internal diameters of the measuring pipe and process connection (B) when cleaning with pigs.

Coupling DIN 11864-1, aseptic thread, Form A 1.4404 (316L), suitable for pipe EN 10357 series A <i>Order code for "Process connection", option DDS</i>					
DN [mm]	Suitable for pipe EN 10357 series A [mm]	A [mm/in]	B [mm]	L [mm]	
2 to 8	13 × 1.5 (DN 10)	Rd 28 × 1/8	10	170	
15	19 × 1.5	Rd 34 × 1/8	16	170	
25	29 × 1.5	Rd 52 × 1/6	26	184	
40	41 × 1.5	Rd 65 × 1/6	38	256	
50	53 × 1.5	Rd 78 × 1/6	50	256	
65	70 × 2	Rd 95 × 1/6	66	266	
80	85 × 2	Rd 110 × 1/4	81	276	
100	104 × 2	Rd 130 × 1/4	100	286	
Surface roughness: Ra _{max} = 0.76 µm, optional order code for "Service", option HJ: Ra _{max} = 0.38 µm electropolished Please note the internal diameters of the measuring pipe and process connection (B) when cleaning with pigs.					

Coupling ISO 2853, thread 1.4404 (316L) <i>Order code for "Process connection", option ICS</i>					
DN [mm]	Suitable for pipe ISO 2037 [mm]	DN Clamp ISO 2853 [mm]	A [mm/in]	B [mm]	L [mm]
40	38 × 1.6	38	Tr 50.5 × 3.175	35.6	256
50	51 × 1.6	51	Tr 64 × 3.175	48.6	256
65	63.5 × 1.6	63.5	Tr 77.5 × 3.175	60.3	266
80	76.1 × 1.6	76.1	Tr 91 × 3.175	72.9	276
100	101.6 × 2	101.6	Tr 118 × 3.175	97.6	286
Surface roughness: Ra _{max} = 0.76 µm, optional order code for "Service", option HJ: Ra _{max} = 0.38 µm electropolished Please note the internal diameters of the measuring pipe and process connection (B) when cleaning with pigs.					

Coupling SMS 1145, thread 1.4404 (316L) <i>Order code for "Process connection", option SAS</i>					
DN [mm]	Suitable for pipe [mm]	DN SMS 1145 [mm]	A [mm/in]	B [mm]	L [mm]
25	1	25	Rd 40 × 1/6	22.6	147.6
40	38.1 × 1.65	38	Rd 60 × 1/6	34.8	256
50	50.8 × 1.65	51	Rd 70 × 1/6	47.5	256
65	63.5 × 1.65	63.5	Rd 85 × 1/6	60.2	266
80	76.2 × 1.65	76	Rd 98 × 1/6	72.6	276
100	101.6 × 1.65	101.6	Rd 132 × 1/6	97.4	286
Surface roughness: Ra _{max} = 0.76 µm, optional order code for "Service", option HJ: Ra _{max} = 0.38 µm electropolished Please note the internal diameters of the measuring pipe and process connection (B) when cleaning with pigs.					

Thread with O-ring seal



A0027509

**External thread according to ISO 228/DIN 2999
1.4404 (316L)**

Order code for "Process connection", option I2S

DN [mm]	Suitable for internal thread ISO 228/DIN 2999 [in]	A [mm/in]	B [mm]	L [mm]
2 to 8	R 3/8	R 10.1 × 3/8	10	166
15	R 1/2	R 13.2 × 1/2	16	166
25	R 1	R 16.5 × 1	25	170

Surface roughness: Ra_{max} = 1.6 μm

**Internal thread according to ISO 228/DIN 2999
1.4404 (316L)**

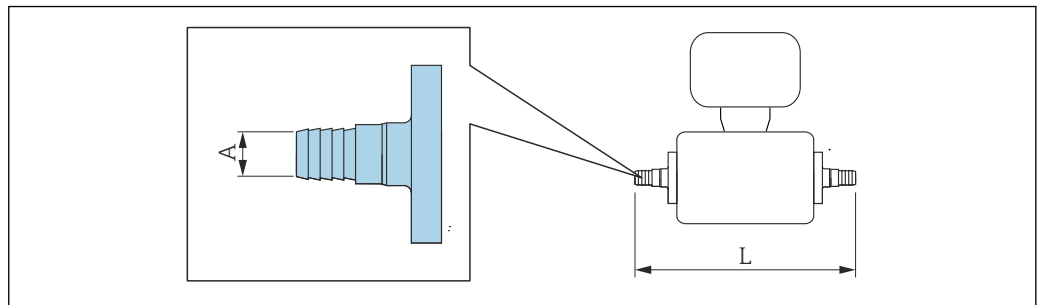
Order code for "Process connection", option I3S

DN [mm]	Suitable for external thread ISO 228/DIN 2999 [in]	A [mm/in]	B [mm]	L [mm]
2 to 8	Rp 3/8	Rp 13 × 3/8	9	176
15	Rp 1/2	Rp 14 × 1/2	16	176
25	Rp 1	Rp 17 × 1	27.2	188

Surface roughness: Ra_{max} = 1.6 μm

Hose adapter

Hose adapter with O-ring seal



A0027511

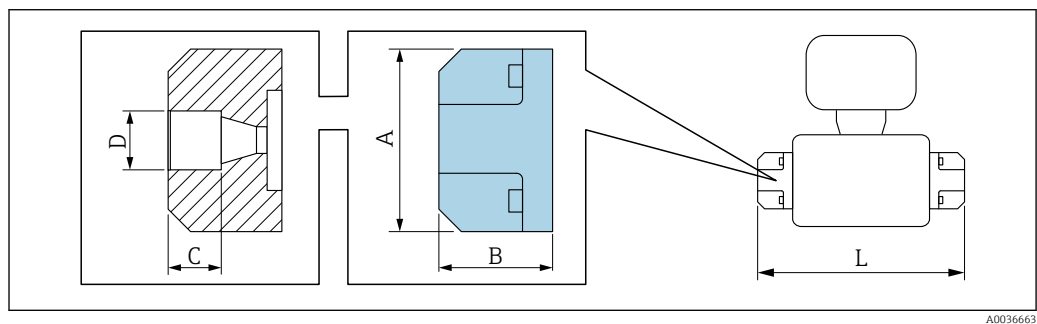
Hose adapter
1.4404 (316L)
Order code for "Process connection", options O1S, O2S, O3S

DN [mm]	Suitable for internal diameter [mm]	A [mm]	L [mm]
2 to 8	13	10	184
15	16	12.6	184
25	19	16	184

Surface roughness: $Ra_{max} = 1.6 \mu m$

Adhesive sleeves

Adhesive sleeves with O-ring seal



A0036663

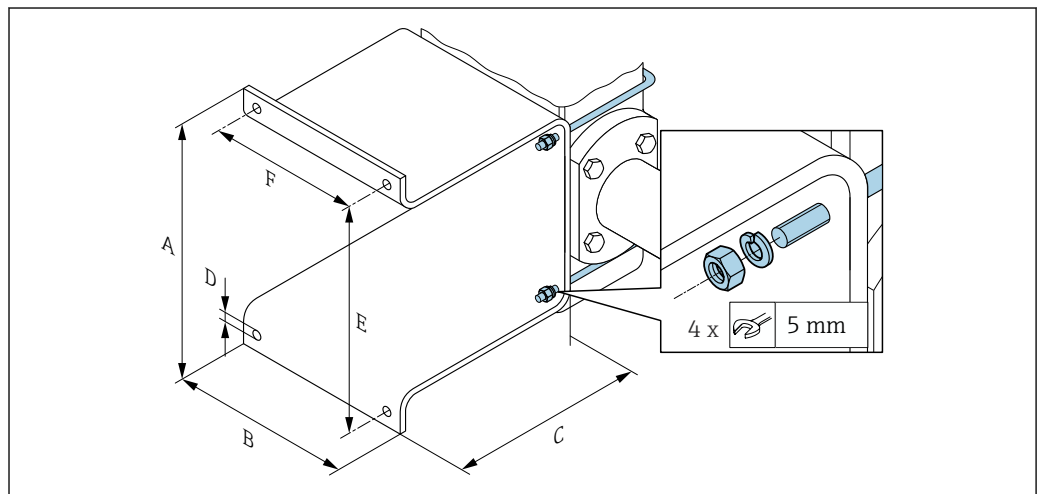
Adhesive sleeve
PVC
Order code for "Process connection", option O2V

DN [mm]	Suitable for pipe [mm] / [in]	A [mm]	B [mm]	C [mm]	D [mm]	L [mm]
2 to 8	20 x 2 (DIN 8062)	62	38.5	18	20.2	163
15			28.0			142

Surface roughness: $Ra_{max} = 1.6 \mu m$
 The required grounding rings can be ordered as accessories (order code: DK5HR-****).

Mounting kits

Wall mounting kit

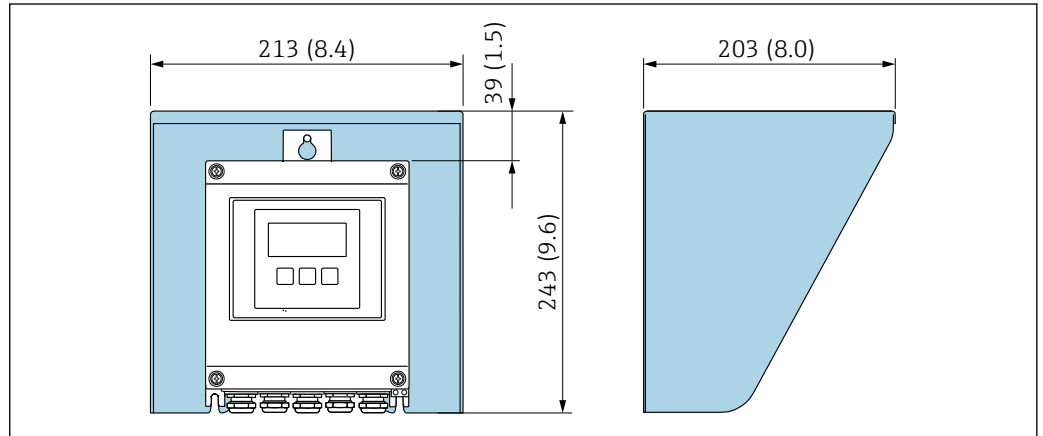


A0054890

A [mm]	B [mm]	C [mm]	Ø D [mm]	E [mm]	F [mm]
137	110	120	7	125	88

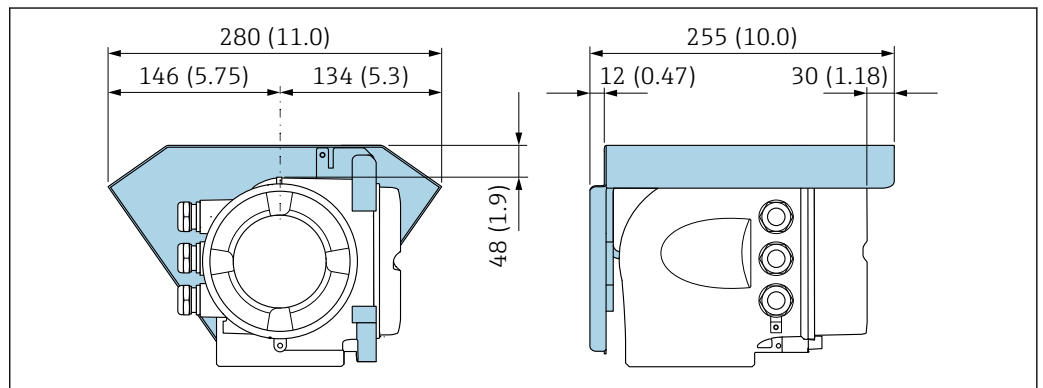
Accessories

Protective cover



A0029552

45 Weather protection cover for Proline 500 – digital; unit mm (in)



A0029553

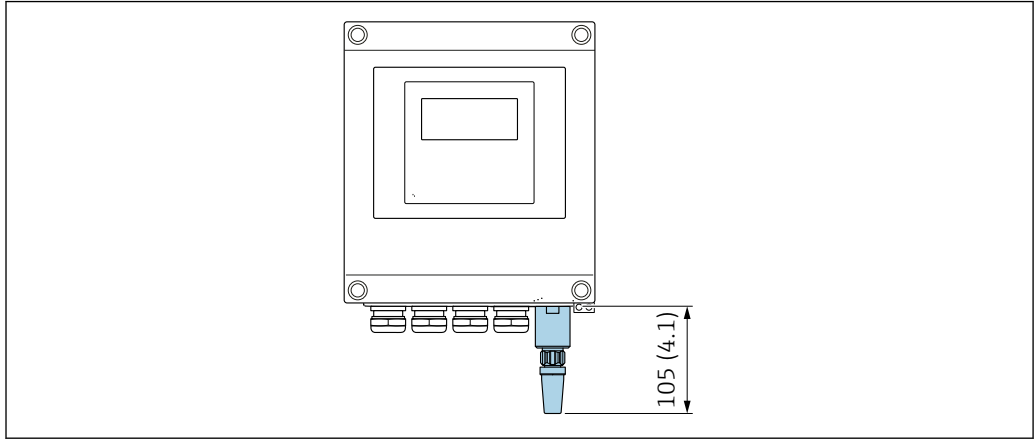
46 Weather protection cover for Proline 500 – unit mm (in)

External WLAN antenna

i The external WLAN antenna is not suitable for use in hygienic applications.

Proline 500 – digital

External WLAN antenna mounted on device

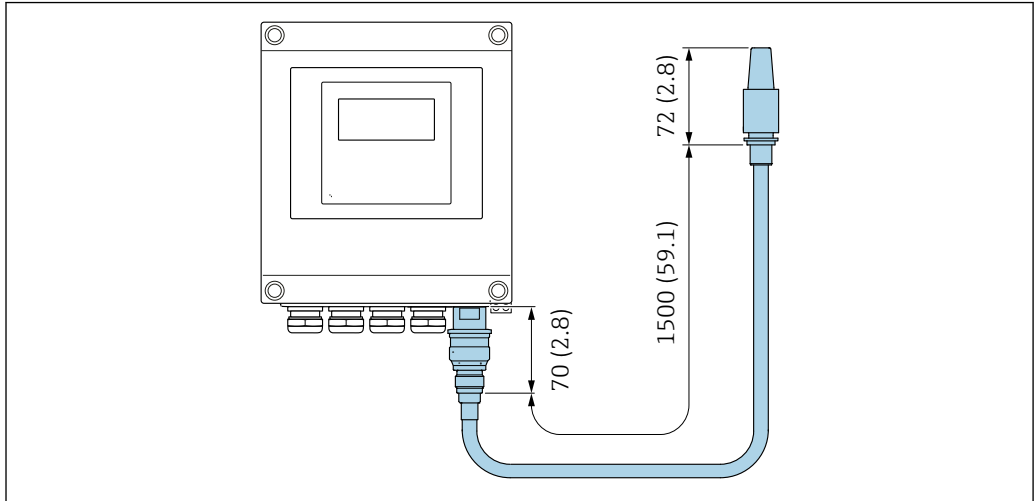


A0033607

47 Unit mm (in)

External WLAN antenna mounted with cable

The external WLAN antenna can be mounted separately from the transmitter if the transmission/reception conditions at the transmitter mounting location are poor.

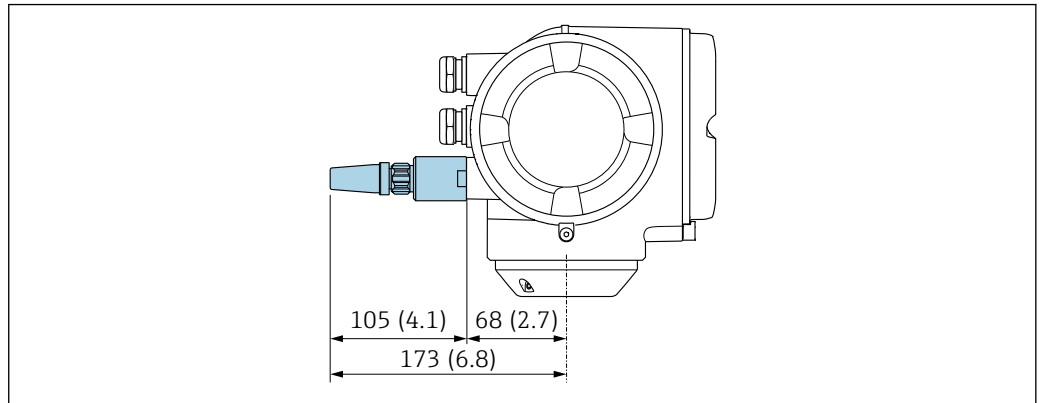


A0033606

48 Unit mm (in)

Proline 500

External WLAN antenna mounted on device

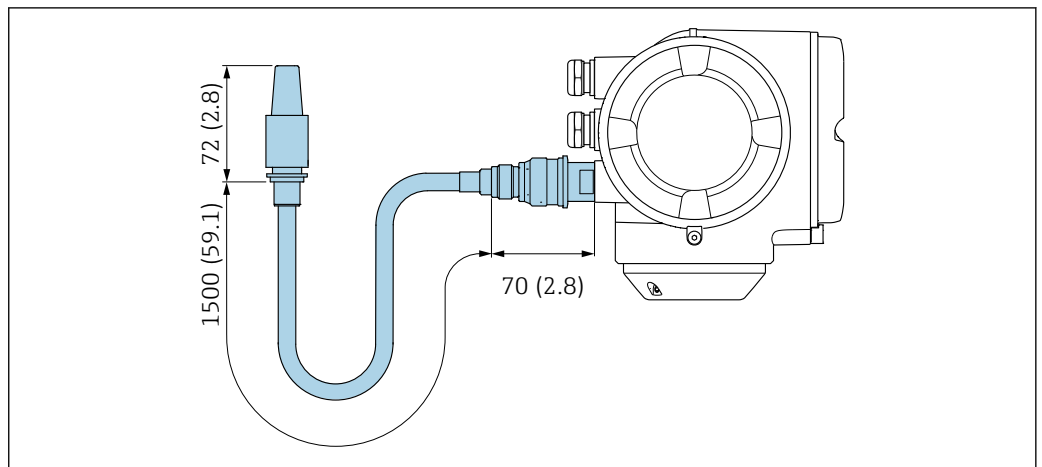


A0028923

49 Unit mm (in)

External WLAN antenna mounted with cable

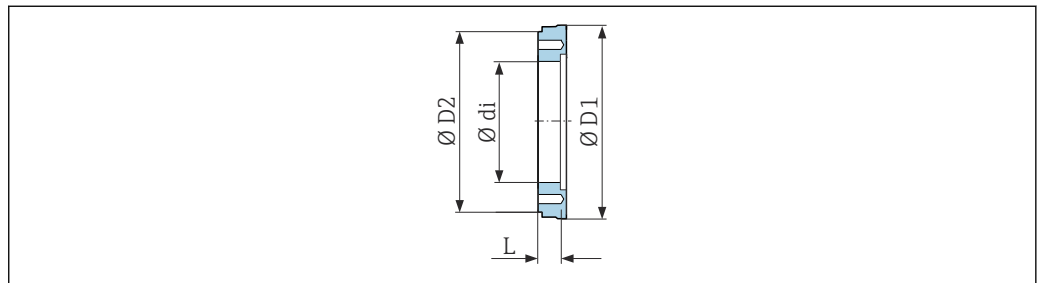
The external WLAN antenna can be mounted separately from the transmitter if the transmission/reception conditions at the transmitter mounting location are poor.



A0033597

50 Unit mm (in)

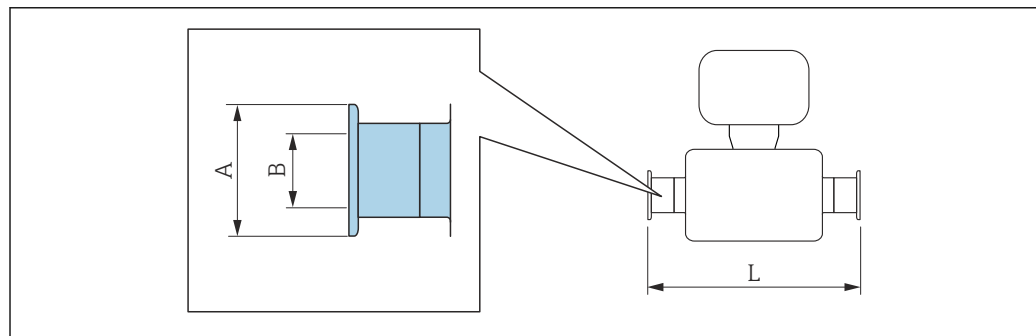
Spacer



A0017294

Order code: DK5HB-****				
DN [mm]	di [mm]	D1 [mm]	D2 [mm]	L [mm]
80	72.9	140.7	141	30
100	97.4	166.7	162	30

Clamp connections with aseptic gasket seal available for order

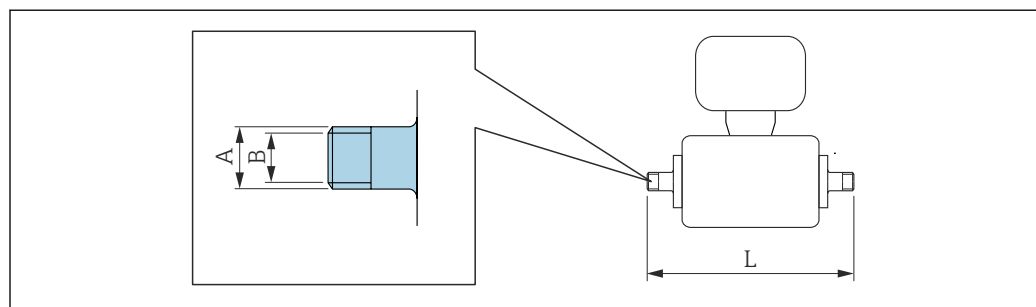


A0015625

Tri-Clamp 1.4404 (316L), suitable for pipe according to ASME BPE and BS 4825, reduction from pipe OD 1" (Tri-Clamp connection) to device DN 15 Order code: DKH**-HF**				
DN [mm]	Suitable for pipe according to ASME BPE and BS 4825 (reduction) [mm]	A [mm]	B [mm]	L [mm]
15	Pipe OD 1"	50.4	22.1	143

Surface roughness: $R_{a_{max}} = 0.76 \mu\text{m}$, optional order code for "Design", option CB: $R_{a_{max}} = 0.38 \mu\text{m}$ electropolished
Please note the internal diameters of the measuring pipe and process connection (B) when cleaning with pigs.

Couplings with O-ring seal available for order



A0027509

External thread 1.4404 (316L) Order code: DKH**-GD**				
DN [mm]	Suitable for internal thread NPT [in]	A [mm/in]	B [mm]	L [mm]
2 to 8	NPT 3/8	R 15.5 × 3/8	10	186
15	NPT 1/2	R 20 × 1/2	16	186

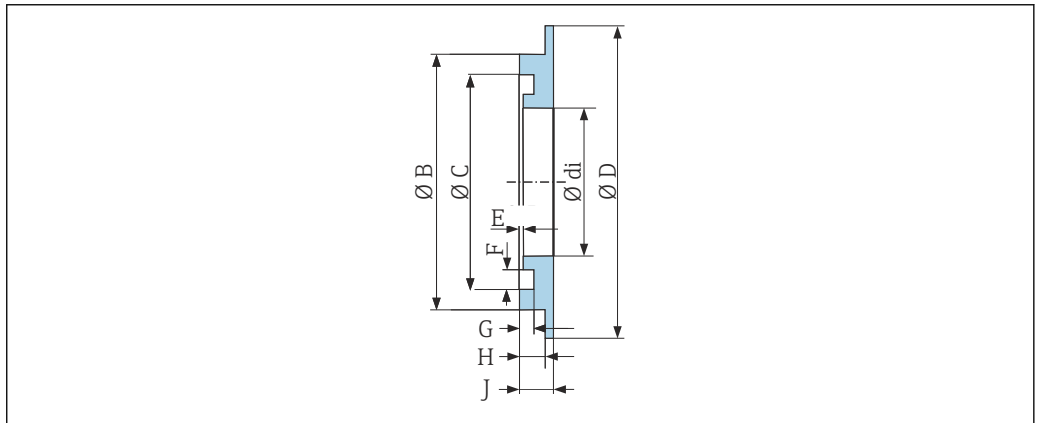
External thread 1.4404 (316L) Order code: DKH**-GD**				
DN [mm]	Suitable for internal thread NPT [in]	A [mm/in]	B [mm]	L [mm]
25	NPT 1	R 25 × 1	25	196

Surface roughness: Ra_{max} = 1.6 μm

Internal thread 1.4404 (316L) Order code: DKH**-GC**				
DN [mm]	Suitable for external thread NPT [in]	A [mm/in]	B [mm]	L [mm]
2 to 8	NPT 3/8	R 13 × 3/8	8.9	176
15	NPT 1/2	R 14 × 1/2	16	176
25	NPT 1	R 17 × 1	27.2	188

Surface roughness: Ra_{max} = 1.6 μm

Grounding rings

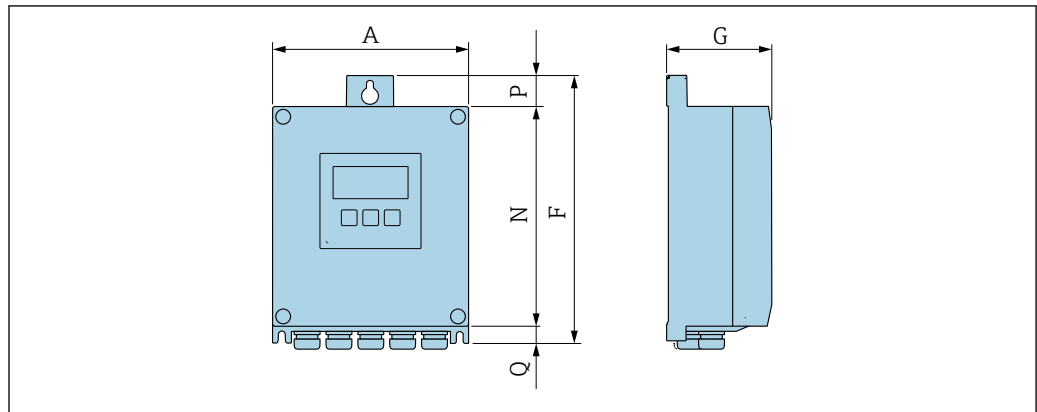


A0017673

For lap joint flange made of PVDF and PVC adhesive sleeve 1.4435 (316L), Alloy C22, tantalum Order code: DK5HR-****									
DN [mm]	di [mm]	B [mm]	C [mm]	D [mm]	E [mm]	F [mm]	G [mm]	H [mm]	J [mm]
2 to 8	9	22	17.6	33.9	0.5	3.5	1.9	3.4	4.5
15	16	29	24.6	33.9	0.5	3.5	1.9	3.4	4.5
25	26	39	34.6	43.9	0.5	3.5	1.9	3.4	4.5

Dimensions in US units

Housing of Proline 500 – digital transmitter



A0033789

Order code for "Transmitter housing", option A "Aluminum, coated" and order code for "Integrated ISEM electronics", option A "Sensor"

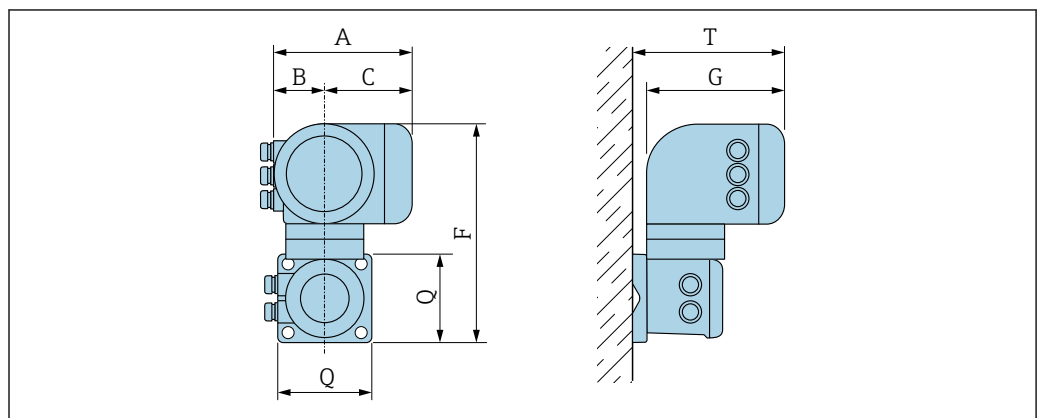
A [in]	F [in]	G [in]	N [in]	P [in]	Q [in]
6.57	9.13	3.50	7.36	0.94	0.83

Order code for "Transmitter housing", option D "Polycarbonate" and order code for "Integrated ISEM electronics", option A "Sensor"

A [in]	F [in]	G [in]	N [in]	P [in]	Q [in]
6.97	9.21	3.50	7.76	0.67	0.87

Housing of Proline 500 transmitter

Hazardous area: Zone 2; Class I, Division 2 or Zone 1; Class I, Division 1

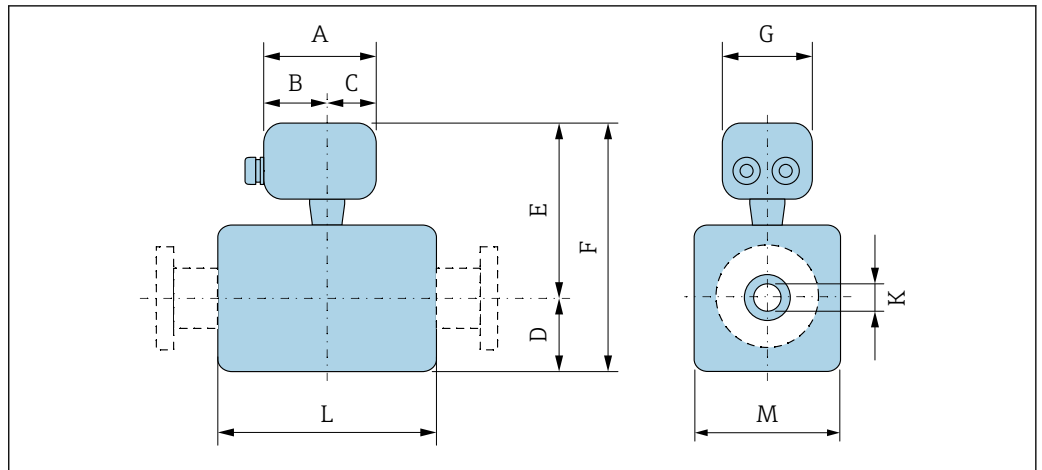


A0033788

Order code for "Transmitter housing", option A "Aluminum, coated" and order code for "Integrated ISEM electronics", option B "Transmitter"

A [in]	B [in]	C [in]	F [in]	G [in]	Q [in]	T [in]
7.40	3.35	4.06	12.5	8.54	5.12	9.41

Sensor connection housing



A0035761

Order code for "Sensor connection housing", option A "Aluminum, coated"

DN [in]	A [in]	B [in]	C [in]	D [in]	E [in]	F [in]	G [in]	K [in]	L ¹⁾ [in]	M [in]
1/12	5.83	3.70	2.13	2.17	7.01	9.17	5.35	0.09	3.39	1.69
1/8	5.83	3.70	2.13	2.17	7.01	9.17	5.35	0.18	3.39	1.69
3/8	5.83	3.70	2.13	2.17	7.01	9.17	5.35	0.35	3.39	1.69
1/2	5.83	3.70	2.13	2.17	7.01	9.17	5.35	0.63	3.39	1.69
1	5.83	3.70	2.13	2.17	7.01	9.17	5.35	0.89	3.39	2.20
1 1/2	5.83	3.70	2.13	2.13	7.01	9.13	5.35	1.37	5.51	4.21
2	5.83	3.70	2.13	2.36	7.24	9.61	5.35	1.87	5.51	4.72
3	5.83	3.70	2.13	2.91	7.80	10.7	5.35	2.87	5.51	5.83
4	5.83	3.70	2.13	3.43	8.35	11.8	5.35	3.83	5.51	6.85
6	5.83	3.70	2.13	4.61	9.49	14.1	5.35	5.78	7.87	9.21

1) Total installed length depends on process connections. → 105

Order code for "Sensor connection housing", option B "Stainless, hygienic"

DN [in]	A [in]	B [in]	C [in]	D [in]	E [in]	F [in]	G [in]	K [in]	L ¹⁾ [in]	M [in]
1/12	5.39	3.07	2.32	2.17	6.85	9.02	5.28	0.09	3.39	1.69
1/8	5.39	3.07	2.32	2.17	6.85	9.02	5.28	0.18	3.39	1.69
3/8	5.39	3.07	2.32	2.17	6.85	9.02	5.28	0.35	3.39	1.69
1/2	5.39	3.07	2.32	2.17	6.85	9.02	5.28	0.63	3.39	1.69
1	5.39	3.07	2.32	2.17	6.85	9.02	5.28	0.89	3.39	2.20
1 1/2	5.39	3.07	2.32	2.13	6.81	8.90	5.28	1.37	5.51	4.21
2	5.39	3.07	2.32	2.36	7.09	9.45	5.28	1.87	5.51	4.72
3	5.39	3.07	2.32	2.91	7.64	10.5	5.28	2.87	5.51	5.83
4	5.39	3.07	2.32	3.43	8.15	11.6	5.28	3.83	5.51	6.85
6	5.39	3.07	2.32	4.61	9.33	13.9	5.28	5.78	7.87	9.21

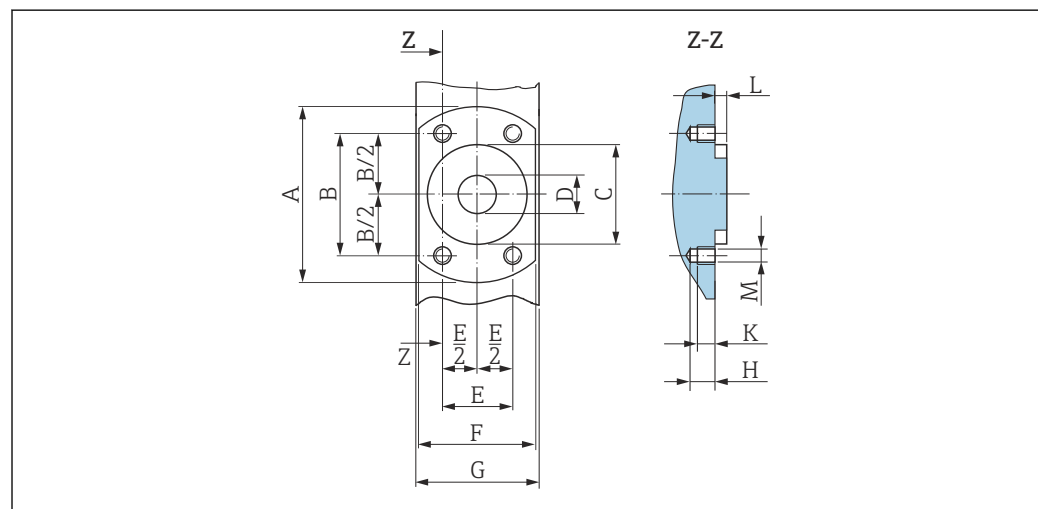
1) Total installed length depends on process connections. → 105

Order code for "Sensor connection housing", option C "Ultra-compact hygienic, stainless"

DN [in]	A [in]	B [in]	C [in]	D [in]	E [in]	F [in]	G [in]	K [in]	L ¹⁾ [in]	M [in]
1/12	4.88	2.68	2.20	2.17	6.81	8.98	4.41	0.09	3.39	1.69
1/8	4.88	2.68	2.20	2.17	6.81	8.98	4.41	0.18	3.39	1.69
3/8	4.88	2.68	2.20	2.17	6.81	8.98	4.41	0.35	3.39	1.69
1/2	4.88	2.68	2.20	2.17	6.81	8.98	4.41	0.63	3.39	1.69
1	4.88	2.68	2.20	2.17	6.85	9.02	4.41	0.89	3.39	2.20
1 1/2	4.88	2.68	2.20	2.13	6.81	8.94	4.41	1.37	5.51	4.21
2	4.88	2.68	2.20	2.36	7.05	9.41	4.41	1.87	5.51	4.72
3	4.88	2.68	2.20	2.91	7.60	10.5	4.41	2.87	5.51	5.83
4	4.88	2.68	2.20	3.43	8.15	11.6	4.41	3.83	5.51	6.85
6	4.88	2.68	2.20	4.61	9.29	13.9	4.41	5.78	7.87	9.21

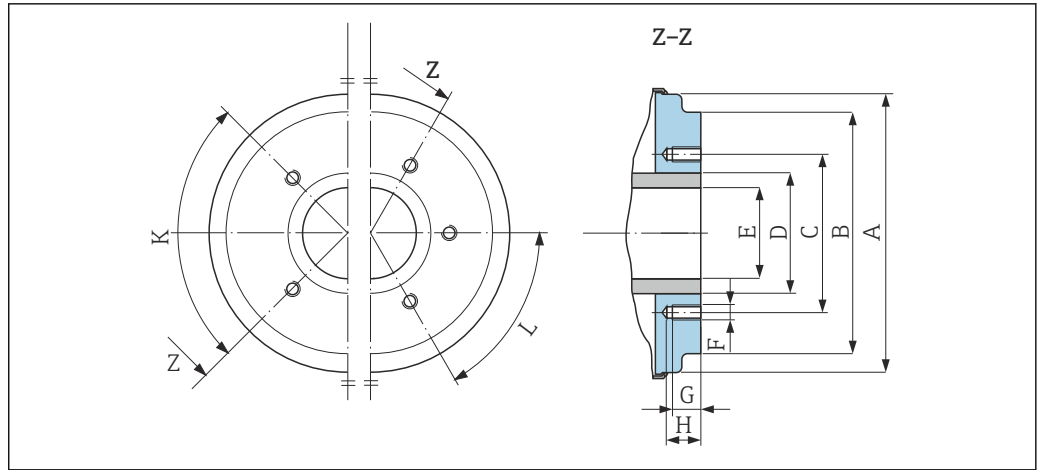
1) Total installed length depends on process connections. → 105

Sensor flange connection



51 Front view without process connections

DN [in]	A [in]	B [in]	C [in]	D [in]	E [in]	F [in]	G [in]	H [in]	K [in]	L [in]	M [mm]
1/12	2.44	1.64	1.34	0.35	0.94	1.65	1.69	0.33	0.24	0.16	M6
5/32	2.44	1.64	1.34	0.35	0.94	1.65	1.69	0.33	0.24	0.16	M6
5/16	2.44	1.64	1.34	0.35	0.94	1.65	1.69	0.33	0.24	0.16	M6
1/2	2.44	1.64	1.34	0.63	0.94	1.65	1.69	0.33	0.24	0.16	M6
1	2.83	1.98	1.73	0.89	1.14	2.17	2.20	0.33	0.24	0.16	M6



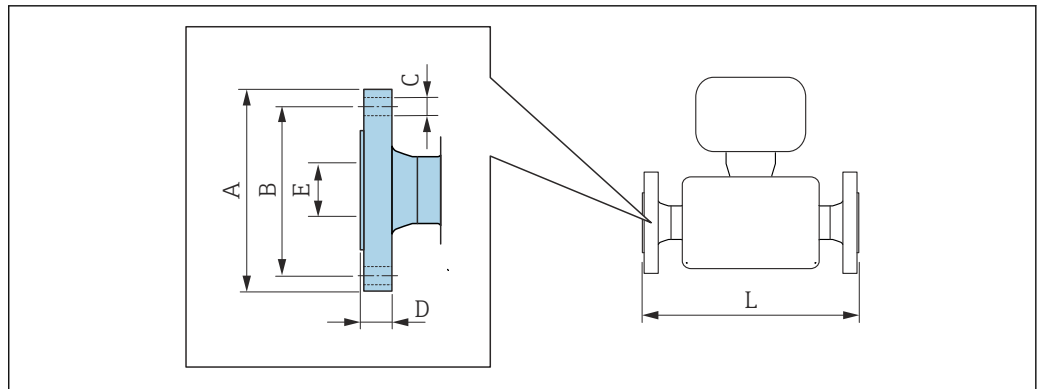
A0005528

52 Front view without process connections

DN	A	B	C	D	E	F	G	H	K	L
[in]	[in]	[in]	[in]	[in]	[in]	[mm]	[in]	[in]	90° ±0.5° Tapped holes	60° ±0.5°
1 ½	3.93	3.38	2.80	1.90	1.37	M8	0.47	0.67	4	-
2	4.44	3.89	3.29	2.37	1.87	M8	0.47	0.67	4	-
3	5.54	5.26	4.49	3.50	2.87	M8	0.47	0.67	-	6
4	6.56	6.28	5.55	4.50	3.83	M8	0.47	0.67	-	6
5	7.82	7.54	6.73	5.50	4.72	M10	0.59	0.79	-	6
6	8.93	8.64	7.87	6.63	5.78	M10	0.59	0.79	-	6

Flange connections

Flanges with O-ring seal



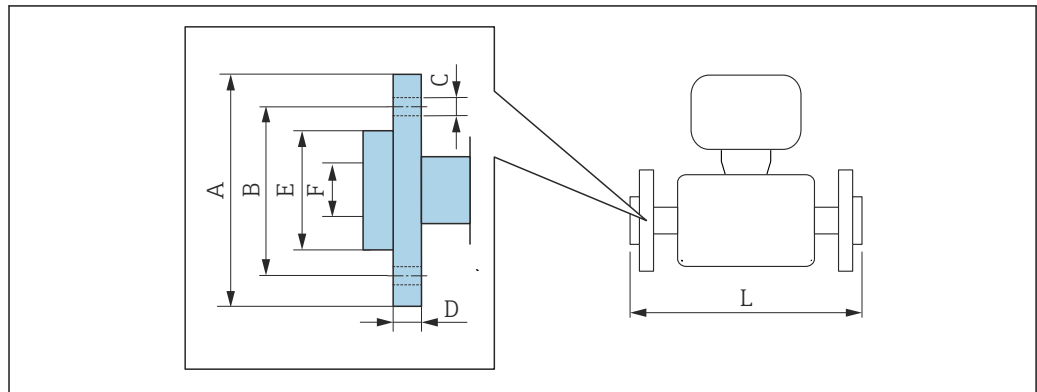
A0015621

**Flange similar to ASME B16.5: Class 150
1.4404 (316L)
Order code for "Process connection", option A1S**

DN [in]	A [in]	B [in]	C [in]	D [in]	E [in]	L [in]
½ to ¾ ¹⁾	3.50	2.38	4 × Ø0.62	0.44	0.62	8.59
½	3.50	2.38	4 × Ø0.62	0.44	0.63	8.59

Flange similar to ASME B16.5: Class 150 1.4404 (316L) Order code for "Process connection", option A1S							
DN [in]	A [in]	B [in]	C [in]	D [in]	E [in]	L [in]	
1	4.25	3.12	4 × Ø0.62	0.56	1.05	9.05	
Surface roughness: Ra _{max} = 63 µin							

- 1) DN 1/12 to 3/8 with DN 1/2" flanges as standard



A0022221

Lap joint flange similar to ASME B16.5: Class 150 PVDF Order code for "Process connection", option A1P							
DN [in]	A [in]	B [in]	C [in]	D [in]	E [in]	F [in]	L [in]
1/12 to 3/8 ¹⁾	3.74	2.36	4 × Ø 0.62	0.59	1.38	0.63	7.87
1/2	3.74	2.36	4 × Ø 0.62	0.59	1.38	0.63	7.87
Surface roughness: Ra _{max} = 63 µin The required grounding rings can be ordered as accessories (order code: DK5HR-****).							

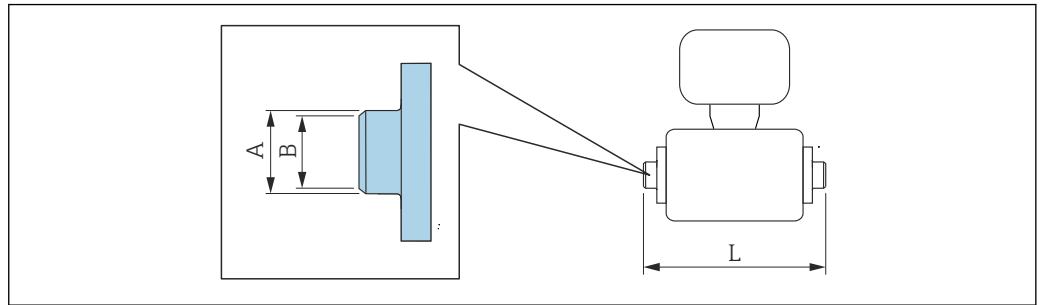
- 1) DN 1/12 to 3/8 with DN 1/2" flanges as standard

Lap joint flange similar to ASME B16.5: Class 150 PVDF Order code for "Process connection", option A4P							
DN [in]	A [in]	B [in]	C [in]	D [in]	E [in]	F [in]	L [in]
1/12 to 3/8 ¹⁾	3.74	2.36	4 × Ø 0.62	0.59	1.38	0.63	7.87
1/2	3.74	2.36	4 × Ø 0.62	0.59	1.38	0.63	7.87
Surface roughness: Ra _{max} = 63 µin Grounding rings are not necessary.							

- 1) DN 1/12 to 3/8 with DN 1/2" flanges as standard

Welding nipple

Welding nipple with aseptic gasket seal



A0027510

Welding nipple according to ISO 2037
1.4404 (316L), suitable for pipe ISO 2037
Order code for "Process connection", option IAS

DN [in]	Suitable for pipe ISO 2037 [in]	A [in]	B [in]	L [in]
1/12 to 3/8	0.50 × 0.06	0.47	0.39	4.65
1/2	0.75 × 0.06	0.71	0.63	4.65
1	1.00 × 0.06	0.98	0.89	4.65
1 1/2	1.50 × 0.05	1.50	1.40	8.66
2	2.00 × 0.05	2.01	1.91	8.66
3	3.00 × 0.06	3.00	2.87	8.66
4	2.50 × 0.08	4.00	3.84	8.66
5	4.00 × 0.08	5.50	5.34	15.00
6	6.63 × 0.10	6.63	6.42	15.00

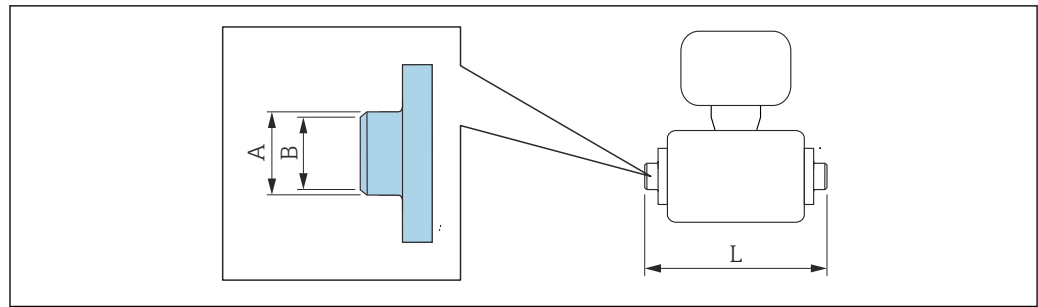
Surface roughness: Ra_{max} = 31.5 µin, optional order code for "Service", option HJ: Ra_{max} = 15 µin electropolished
 Please note the internal diameters of the measuring pipe and process connection (B) when cleaning with pigs.

Welding nipple according to ASME BPE
1.4404 (316L), suitable for pipe according to ASME BPE and DIN 11866 series C
Order code for "Process connection", option AAS

DN [in]	Suitable for pipe according to ASME BPE [in]	A [in]	B [in]	L [in]
1/12 to 3/8	0.50 × 0.06	0.50	0.35	4.65
1/2	0.75 × 0.06	0.75	0.63	4.65
1	1.00 × 0.06	1.00	0.89	4.65
1 1/2	1.50 × 0.06	1.50	1.37	8.66
2	2.00 × 0.06	2.00	1.87	8.66
3	3.00 × 0.06	3.00	2.87	8.66
4	4.00 × 0.08	4.00	3.83	8.66
6	6.00 × 0.11	6.00	5.78	11.80

Surface roughness: Ra_{max} = 31.5 µin, optional order code for "Service", option HJ: Ra_{max} = 15 µin electropolished
 Please note the internal diameters of the measuring pipe and process connection (B) when cleaning with pigs.

Welding nipple with O-ring seal



A0027510

Welding nipple according to ISO 1127

1.4404 (316L), suitable for pipe according to ISO 1127 series 1

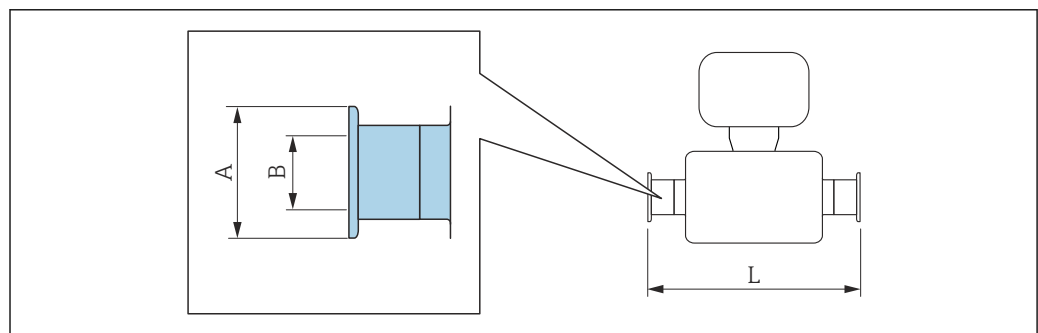
Order code for "Process connection", option A2S

DN [in]	Suitable for pipe according to ISO 1127 series 1 [in]	A [in]	B [in]	L [in]
$\frac{1}{12}$ to $\frac{3}{8}$	0.53 × 0.09	0.53	0.35	4.99
$\frac{1}{2}$	0.84 × 0.10	0.84	0.63	4.99

Surface roughness: $Ra_{max} = 63 \mu\text{m}$

Clamp connections

Clamp connections with aseptic gasket seal



A0015625

Tri-Clamp

1.4404 (316L), suitable for pipe according to ASME BPE and DIN 11866 series C

Order code for "Process connection", option FAS

DN [in]	Suitable for pipe according to ASME BPE [in]	A [in]	B [in]	L [in]
$\frac{1}{12}$ to $\frac{3}{8}$	$\frac{1}{2}$	1	0.37	5.63
$\frac{1}{2}$	$\frac{3}{4}$	1	0.62	5.63
1	1	2	0.87	5.63
1 $\frac{1}{2}$	1.50 × 0.06	1.98	1.37	8.66
2	2.00 × 0.06	2.52	1.87	8.66
3	3.00 × 0.06	3.58	2.87	8.66
4	4.00 × 0.08	4.68	3.83	8.66
6	6.00 × 0.11	6.57	5.90	11.80

Surface roughness: $Ra_{max} = 31.5 \mu\text{m}$, optional order code for "Service", option HJ: $Ra_{max} = 15 \mu\text{m}$ electropolished
Please note the internal diameters of the measuring pipe and process connection (B) when cleaning with pigs.

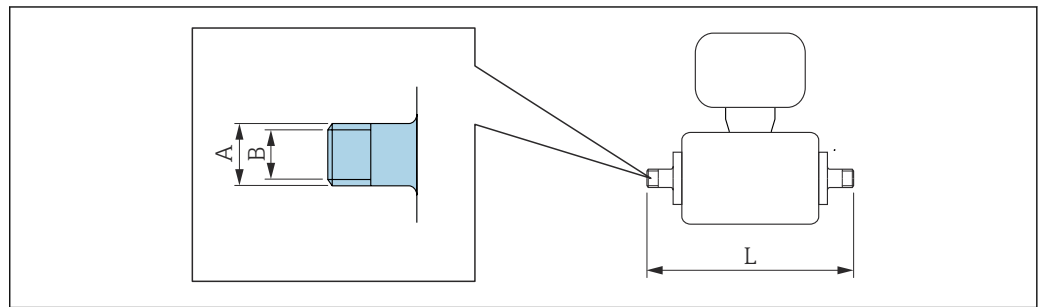
**Clamp according to ISO 2852, Fig. 2
1.4404 (316L)**
Order code for "Process connection", option IBS

DN [in]	Suitable for pipe ISO 2037 [in]	DN Clamp ISO 2852 [in]	A [in]	B [in]	L [in]
1	0.96 × 0.06	1	2.00	0.89	6.87
1 ½	1.50 × 0.06	1.50	1.99	1.40	8.66
2	2.00 × 0.06	2.01	2.52	1.91	8.66
3	3.00 × 0.06	3.00	3.58	2.87	8.66
4	2.50 × 0.08	4.00	4.69	3.84	8.66
5	4.00 × 0.08	5.50	6.10	5.34	11.80
6	6.63 × 0.10	6.63	7.20	6.42	11.80

Surface roughness: $Ra_{max} = 31.5 \mu\text{in}$, optional order code for "Service", option HJ: $Ra_{max} = 15 \mu\text{in}$ electropolished
Please note the internal diameters of the measuring pipe and process connection (B) when cleaning with pigs.

Couplings

Thread with aseptic gasket seal



A0027509

**Coupling DIN 11851, thread
1.4404 (316L), suitable for pipe EN 10357 series B**
Order code for "Process connection", option DCS

DN [in]	Suitable for pipe EN 10357 series B [in]	A [in]	B [in]	L [in]
1/12 to 5/16	0.47 × 0.04 (DN 1/8)	Rd 1.10 × 1/8	0.39	6.85
1/2	0.71 × 0.06	Rd 1.34 × 1/8	0.63	6.85
1	1.10 × 0.04 or 1.10 × 0.06	Rd 2.05 × 1/6	1.02	7.48

Surface roughness: $Ra_{max} = 31.5 \mu\text{in}$, optional order code for "Service", option HJ: $Ra_{max} = 15 \mu\text{in}$ electropolished
Please note the internal diameters of the measuring pipe and process connection (B) when cleaning with pigs.

**Coupling DIN 11851, thread
1.4404 (316L), suitable for pipe EN 10357 series A**
Order code for "Process connection", option DCS

DN [in]	Suitable for pipe EN 10357 series A [in]	A [in]	B [in]	L [in]
1 ½	1.65 × 0.06	Rd 2.56 × 1/6	1.50	10.20
2	2.13 × 0.06	Rd 3.07 × 1/6	1.97	10.20
3	3.35 × 0.08	Rd 4.33 × 1/4	3.19	11.00
4	4.09 × 0.08	Rd 5.12 × 1/4	3.94	11.40
5	5.08 × 0.08	Rd 6.30 × 1/4	4.92	15.00

Coupling DIN 11851, thread 1.4404 (316L), suitable for pipe EN 10357 series A <i>Order code for "Process connection", option DCS</i>					
DN [in]	Suitable for pipe EN 10357 series A [in]	A [in]	B [in]	L [in]	
6	6.06 × 0.08	Rd 6.30 × ¼	5.91	15.40	

Surface roughness: Ra_{max} = 31.5 µin, optional order code for "Service", option HJ: Ra_{max} = 15 µin electropolished
Please note the internal diameters of the measuring pipe and process connection (B) when cleaning with pigs.

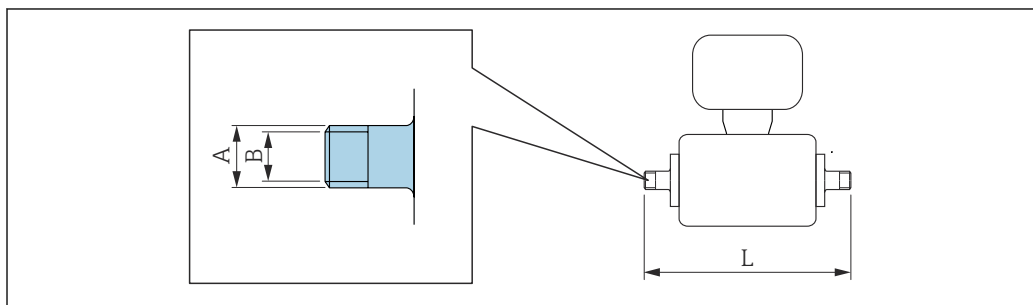
Coupling ISO 2853, thread 1.4404 (316L) <i>Order code for "Process connection", option ICS</i>					
DN [in]	Suitable for pipe EN 10357 (DIN 11850) [in]	DN Clamp ISO 2853 [in]	A [in]	B [in]	L [in]
1 ½	1.50 × 0.06	1.50	Tr 2.00 × 0.13	1.40	10.80
2	2.00 × 0.06	2.01	Tr 2.52 × 0.13	1.91	10.80
3	3.00 × 0.06	3.00	Tr 3.58 × 0.13	2.87	10.90
4	2.50 × 0.08	4.00	Tr 4.65 × 0.13	3.84	11.30

Surface roughness: Ra_{max} = 31.5 µin, optional order code for "Service", option HJ: Ra_{max} = 15 µin electropolished
Please note the internal diameters of the measuring pipe and process connection (B) when cleaning with pigs.

Coupling SMS 1145, thread 1.4404 (316L) <i>Order code for "Process connection", option SAS</i>					
DN [in]	Suitable for pipe [in]	DN SMS 1145 [in]	A [in]	B [in]	L [in]
1	1	1	Rd1.57 × 0.17	0.89	5.81
1 ½	1.50 × 0.06	1.50	Rd 2.36 × ⅙	1.37	10.10
2	2.00 × 0.06	2.00	Rd 2.76 × ⅙	1.87	10.10
3	3.00 × 0.06	3.00	Rd 3.86 × ⅙	2.86	10.90
4	4.00 × 0.08	4.00	Rd 5.20 × ⅙	3.83	11.30

Surface roughness: Ra_{max} = 31.5 µin, optional order code for "Service", option HJ: Ra_{max} = 15 µin electropolished
Please note the internal diameters of the measuring pipe and process connection (B) when cleaning with pigs.

Thread with O-ring seal



A0027509

External thread according to ISO 228/DIN 2999
1.4404 (316L)
Order code for "Process connection", option I2S

DN [in]	Suitable for internal thread ISO 228/DIN 2999 [in]	A [in]	B [in]	L [in]
1/12 to 3/8	R 3/8	R 0.40 × 3/8	0.39	6.53
1/2	R 1/2	R 0.52 × 1/2	0.63	6.53
1	R 1	R 0.66 × 1	0.98	6.69

Surface roughness: Ra_{max} = 63 μin

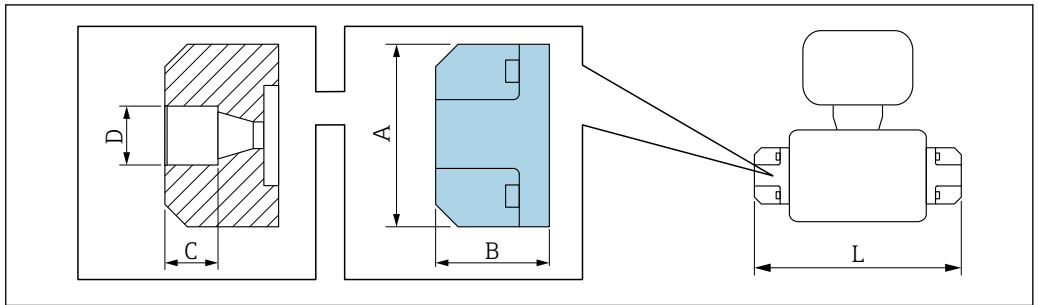
Internal thread according to ISO 228/DIN 2999
1.4404 (316L)
Order code for "Process connection", option I3S

DN [in]	Suitable for external thread ISO 228/DIN 2999 [in]	A [in]	B [in]	L [in]
1/12 to 3/8	Rp 3/8	Rp 0.51 × 3/8	0.35	6.93
1/2	Rp 1/2	Rp 0.55 × 1/2	0.63	6.93
1	Rp 1	Rp 0.67 × 1	1.07	7.41

Surface roughness: Ra_{max} = 63 μin

Adhesive sleeves

Adhesive sleeves with O-ring seal



A0036663

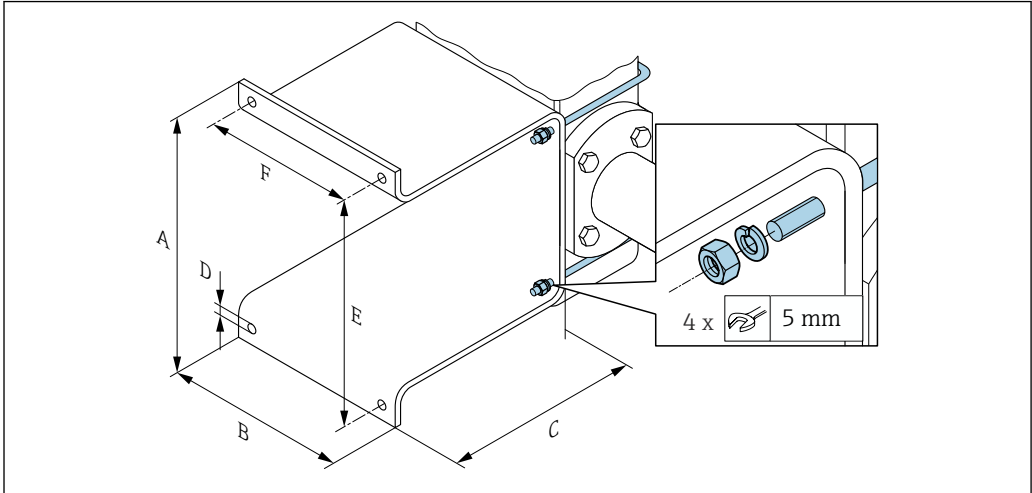
Adhesive sleeve
PVC
Order code for "Process connection", option O1V

DN [in]	Suitable for pipe [in]	A [in]	B [in]	C [in]	D [in]	L [in]
1/12 to 3/8	1/2	2.44	1.52	0.71	0.85	6.42

Surface roughness: Ra_{max} = 63 μin
 The required grounding rings can be ordered as accessories (order code: DK5HR-****).

Mounting kits

Wall mounting kit

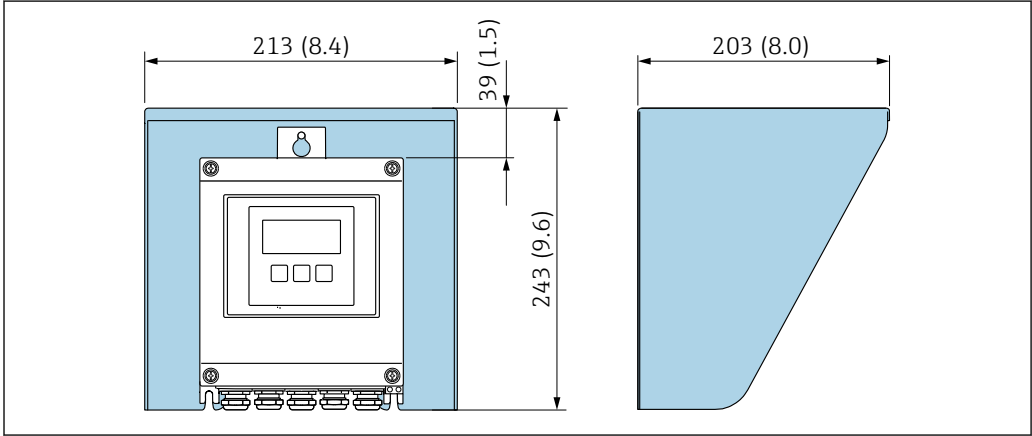


A0054890

A [in]	B [in]	C [in]	Ø D [in]	E [in]	F [in]
5.39	4.33	4.72	0.28	4.92	3.46

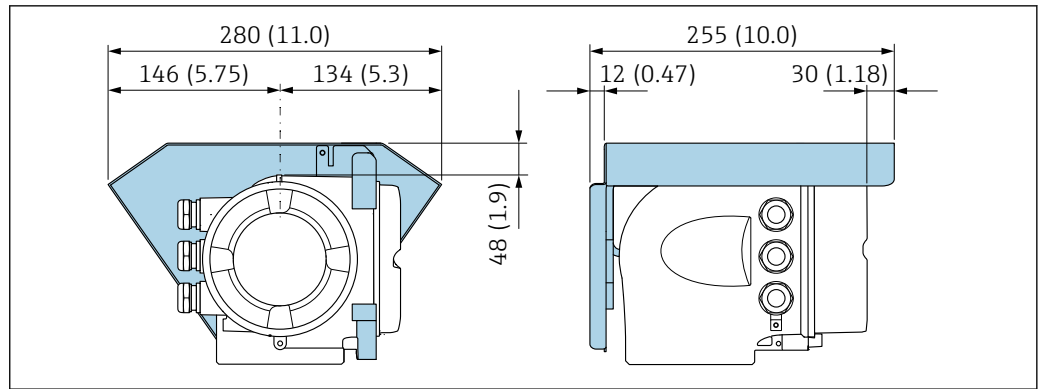
Accessories

Protective cover



A0029552

53 Weather protection cover for Proline 500 – digital; unit mm (in)



A0029553

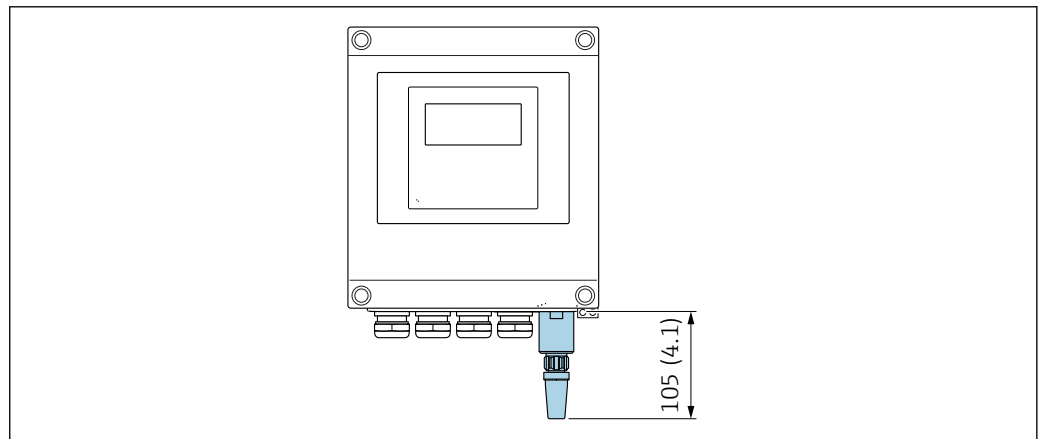
54 Weather protection cover for Proline 500 – unit mm (in)

External WLAN antenna

i The external WLAN antenna is not suitable for use in hygienic applications.

Proline 500 – digital

External WLAN antenna mounted on device

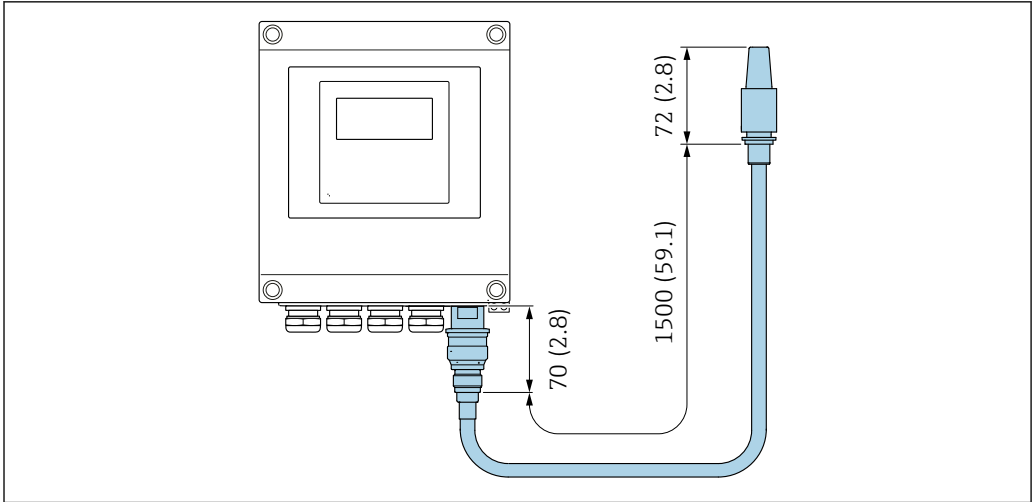


A0033607

55 Unit mm (in)

External WLAN antenna mounted with cable

The external WLAN antenna can be mounted separately from the transmitter if the transmission/reception conditions at the transmitter mounting location are poor.

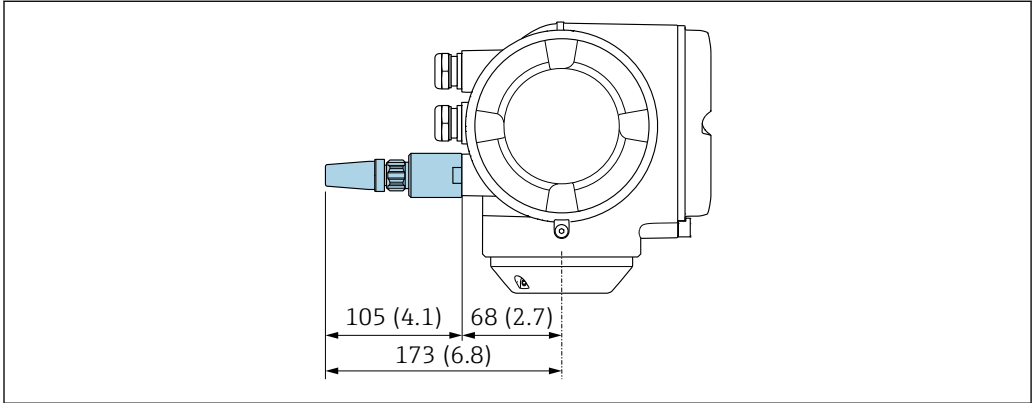


A0033606

56 Unit mm (in)

Proline 500

External WLAN antenna mounted on device

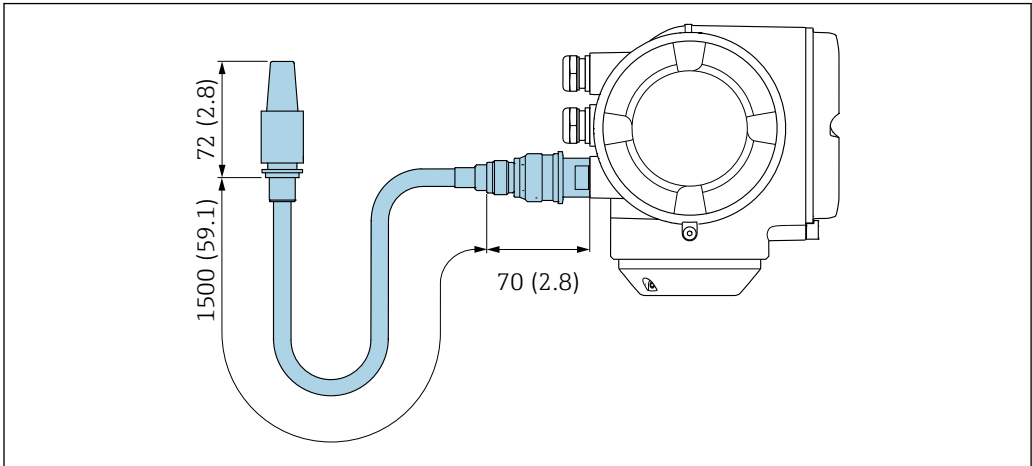


A0028923

57 Unit mm (in)

External WLAN antenna mounted with cable

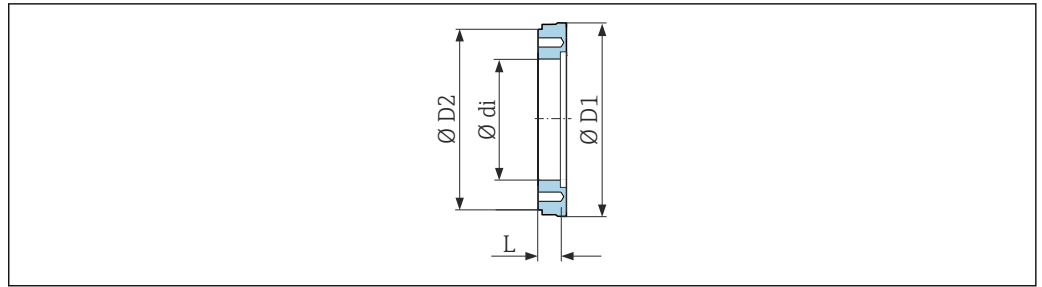
The external WLAN antenna can be mounted separately from the transmitter if the transmission/reception conditions at the transmitter mounting location are poor.



A0033597

58 Unit mm (in)

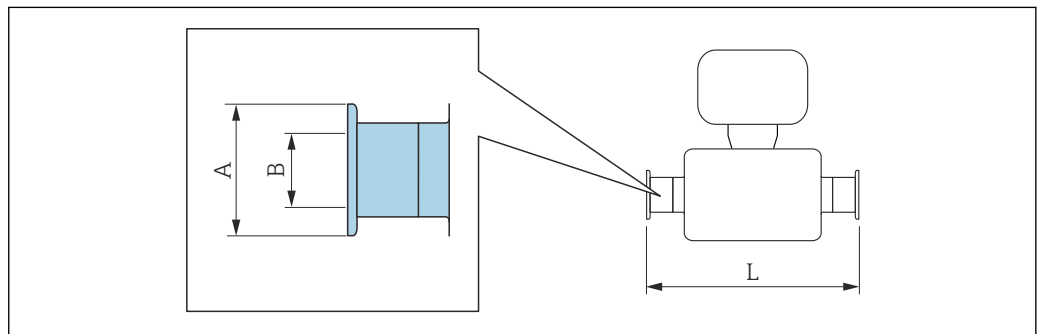
Spacer



A0017294

Order code: DK5HB-****				
DN [in]	di [in]	D1 [in]	D2 [in]	L [in]
3	2.87	5.54	5.55	1.30
4	3.83	6.56	6.38	1.30

Clamp connections with aseptic gasket seal available for order



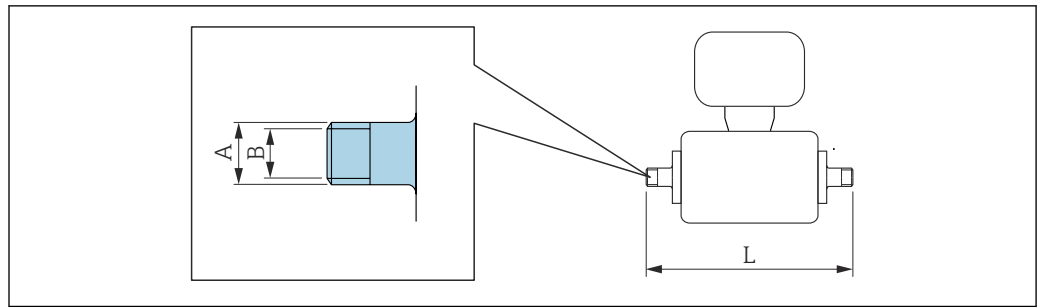
A0015625

59 Hygienic clamp adapter connection suitable for pipes with connection according to ASME BPE (reduction)

Tri-Clamp 1.4404 (316L), suitable for pipe according to ASME BPE and BS 4825, reduction from pipe OD 1" (Tri-Clamp connection) to device DN 15 Order code: DKH**-HF**				
DN [in]	Suitable for pipe according to ASME BPE and BS 4825 (reduction) [in]	A [in]	B [in]	L [in]
½	Pipe OD 1"	2	0.87	5.63

Surface roughness: Ra_{max} = 31.5 µin, optional order code for "Design", option CB: Ra_{max} = 15 µin electropolished
Please note the internal diameters of the measuring pipe and process connection (B) when cleaning with pigs.

Couplings with O-ring seal available for order



A0027509

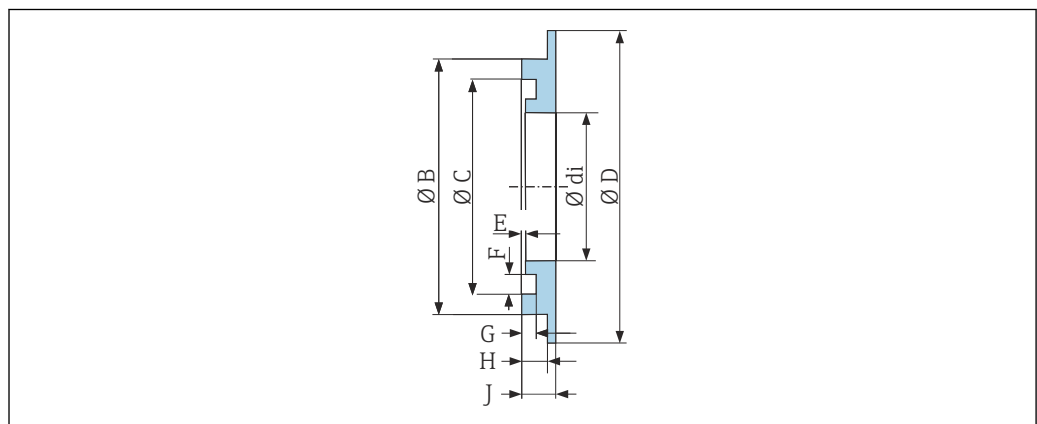
External thread 1.4404 (316L) Order code: DKH**-GD**				
DN [in]	Suitable for internal thread NPT [in]	A [in]	B [in]	L [in]
1/12 to 3/8	NPT 3/8	R 0.61 × 3/8	0.39	7.39
1/2	NPT 1/2	R 0.79 × 1/2	0.63	7.39
1	NPT 1	R 1 × 1	1.00	7.73

Surface roughness: Ra_{max} = 63 µin

Internal thread 1.4404 (316L) Order code: DKH**-GC**				
DN [in]	Suitable for external thread NPT [in]	A [in]	B [in]	L [in]
1/12 to 3/8	NPT 3/8	R 0.51 × 3/8	0.35	6.93
1/2	NPT 1/2	R 0.55 × 1/2	0.63	6.93
1	NPT 1	R 0.67 × 1	1.07	7.41

Surface roughness: Ra_{max} = 63 µin

Grounding rings



A0017673

For lap joint flange made of PVDF and PVC adhesive sleeve
 1.4435 (316L), Alloy C22, tantalum
 Order code: DK5HR-****

DN [in]	di [in]	B [in]	C [in]	D [in]	E [in]	F [in]	G [in]	H [in]	J [in]
1/12 to 3/8	0.35	0.87	0.69	1.33	0.02	0.14	0.07	0.13	0.18
1/2	0.63	1.14	0.97	1.33	0.02	0.14	0.07	0.13	0.18
1	0.89	1.44	1.23	1.73	0.02	0.14	0.07	0.13	0.18

Weight

All values (weight exclusive of packaging material) refer to devices with flanges of the standard pressure rating.

The weight may be lower than indicated depending on the pressure rating and design.

Transmitter

- Proline 500 – digital polycarbonate: 1.4 kg (3.1 lbs)
- Proline 500 – digital aluminum: 2.4 kg (5.3 lbs)
- Proline 500 aluminum: 6.5 kg (14.3 lbs)

Sensor

Sensor with aluminum connection housing version:

Nominal diameter		Weight	
[mm]	[in]	[kg]	[lbs]
2	1/12	2.00	4.41
4	5/32	2.00	4.41
8	5/16	2.00	4.41
15	1/2	1.90	4.19
25	1	2.80	6.17
40	1 1/2	4.10	9.04
50	2	4.60	10.1
65	–	5.40	11.9
80	3	6.00	13.2
100	4	7.30	16.1
125	5	12.7	28.0
150	6	15.1	33.3

Measuring tube specification

Nominal diameter		Pressure rating ¹⁾ EN (DIN) [bar]	Process connection internal diameter	
[mm]	[in]		PFA	
			[mm]	[in]
2	1/12	PN 16/40	2.25	0.09
4	5/32	PN 16/40	4.5	0.18
8	5/16	PN 16/40	9.0	0.35
15	1/2	PN 16/40	16.0	0.63
–	1	PN 16/40	22.6 ²⁾	0.89 ²⁾
25	–	PN 16/40	26.0 ³⁾	1.02 ³⁾
40	1 1/2	PN 16/25/40	34.8	1.37
50	2	PN 16/25	47.5	1.87
65	–	PN 16/25	60.2	2.37
80	3	PN 16/25	72.9	2.87

Nominal diameter		Pressure rating ¹⁾ EN (DIN) [bar]	Process connection internal diameter	
[mm]	[in]		PFA	
			[mm]	[in]
100	4	PN 16/25	97.4	3.83
125	5	PN 10/16	120.0	4.72
150	6	PN 10/16	146.9	5.78

- 1) Depending on process connection and seals used
 2) Order code 5H**22
 3) Order code 5H**26

Materials

Transmitter housing

Housing of Proline 500 – digital transmitter

Order code for "Transmitter housing":

- Option A "Aluminum coated": aluminum, AlSi10Mg, coated
- Option D "Polycarbonate": polycarbonate

Housing of Proline 500 transmitter

Order code for "Transmitter housing":

Option A "Aluminum coated": aluminum, AlSi10Mg, coated

Window material

Order code for "Transmitter housing":

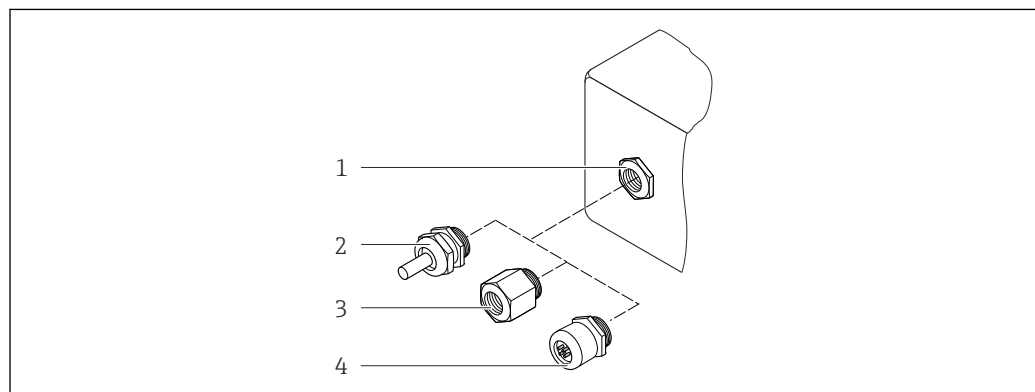
- Option A "Aluminum, coated": glass
- Option D "Polycarbonate": plastic

Sensor connection housing

Order code for "Sensor connection housing":

- Option A "Aluminum coated": aluminum, AlSi10Mg, coated
- Option B "Stainless, hygienic":
Stainless steel 1.4301 (304)
- Option C "Ultra-compact hygienic, stainless":
Stainless steel 1.4301 (304)




Cable entries/cable glands



A0028352

60 Possible cable entries/cable glands


- 1 Internal thread M20 × 1.5
- 2 Cable gland M20 × 1.5
- 3 Adapter for cable entry with internal thread G ½" or NPT ½"
- 4 Device plug

Cable entries and adapters	Material
Cable gland M20 × 1.5	Plastic
<ul style="list-style-type: none"> ▪ Adapter for cable entry with female thread G ½" ▪ Adapter for cable entry with female thread NPT ½" <p> Only available for certain device versions:</p> <ul style="list-style-type: none"> ▪ Order code for "Transmitter housing": <ul style="list-style-type: none"> ▪ Option A "Aluminum, coated" ▪ Option D "Polycarbonate" ▪ Order code for "Sensor connection housing": <ul style="list-style-type: none"> ▪ Proline 500 – digital: <ul style="list-style-type: none"> Option A "Aluminum coated" Option B "Stainless" ▪ Proline 500: <ul style="list-style-type: none"> Option A "Aluminum coated" Option C "Stainless, hygienic" 	Nickel-plated brass
<p>Adapter for device plug</p> <p> Device plug for digital communication: Only available for certain device versions →  40.</p> <ul style="list-style-type: none"> ▪ Device plug for connecting cable: A device plug is always used for the device version, order code for "Sensor connection housing", option C (ultra-compact, hygienic, stainless). 	Stainless steel, 1.4404 (316L)

Device plug

Electrical connection	Material
Plug M12x1	<ul style="list-style-type: none"> ▪ Socket: Stainless steel, 1.4404 (316L) ▪ Contact housing: Polyamide ▪ Contacts: Gold-plated brass

Connecting cable

 UV radiation can impair the cable outer sheath. Protect the cable from exposure to sun as much as possible.

Connecting cable for sensor - Proline 500 – digital transmitter

PVC cable with copper shield

Connecting cable for sensor - Proline 500 transmitter

PVC cable with copper shield

Sensor housing

Stainless steel 1.4301 (304)

Measuring tubes

Stainless steel 1.4301 (304)

Liner

PFA

Process connections

- Stainless steel, 1.4404 (F316L)
- PVDF
- PVC adhesive sleeve

Electrodes

- Standard: stainless steel, 1.4435 (316 L)
- Optional: Alloy C22, 2.4602 (UNS N06022); tantalum (Ta 2.5 W); platinum (Pt/Ir 20%) (only up to DN 25 (1"))

Seals

- O-ring seal, DN 2 to 25 (1/12 to 1"): EPDM, FKM, Kalrez
- Aseptic²⁾ gasket seal, DN 2 to 150 (1/12 to 6"): EPDM, FKM, VMQ (silicone)

Accessories*Protective cover*

Stainless steel, 1.4404 (316L)

External WLAN antenna

- Antenna: ASA plastic (acrylonitrile styrene acrylate) and nickel-plated brass
- Adapter: Stainless steel and nickel-plated brass
- Cable: Polyethylene
- Plug: Nickel-plated brass
- Angle bracket: Stainless steel

Grounding rings

- Standard: 1.4435 (316L)
- Optional: Alloy C22, tantalum

Wall mounting kit

Stainless steel, 1.4301 (304)³⁾

Spacer

1.4435 (F316L)

Fitted electrodes

- Working electrodes for signal detection
- Medium monitoring electrode for empty pipe detection/temperature measurement (DN 15 to 150 (½ to 6") only)

Process connections

With O-ring seal:

- Welding nipple
- Flange
- Male thread
- Female thread
- Hose connection
- PVC adhesive sleeve

With aseptic gasket seal:

- Clamp
- Coupling
- Flange



- For information on the different materials used in the process connections → 119
- For information on the mechanical construction of the process connections → 81

Surface roughness

Electrodes:

- Stainless steel, 1.4435 (316 L) electropolished $\leq 0.5 \mu\text{m}$ (19.7 μin)
- Alloy C22, 2.4602 (UNS N06022); Tantal (Ta 2,5W) $\leq 0.5 \mu\text{m}$ (19.7 μin); Platin (Pt/Ir 20%) $\leq 0.5 \mu\text{m}$ (19.7 μin)

(All data refer to parts in contact with the medium).

Liner with PFA:

$\leq 0.4 \mu\text{m}$ (15.7 μin)

(All data refer to parts in contact with the medium).

2) In this context, aseptic means hygienic design

3) Does not meet the hygienic design installation guidelines.

Stainless steel process connections:

- With O-ring seal: $\leq 1.6 \mu\text{m}$ (63 μin)
- With aseptic seal: $Ra_{\text{max}} = 0.76 \mu\text{m}$ (31.5 μin)
 Optional: $Ra_{\text{max}} = 0.38 \mu\text{m}$ (15 μin) electropolished

(All data refer to parts in contact with the medium).

Display and user interface

Operation concept

Operator-oriented menu structure for user-specific tasks

- Commissioning
- Operation
- Diagnosis
- Expert level

Quick and safe commissioning

- Guided menus ("Make-it-run" wizards) for applications
- Menu guidance with brief descriptions of the individual parameter functions
- Access to the device via web server
- WLAN access to the device via mobile handheld terminal, tablet or smart phone

Reliable operation

- Operation in local language
- Uniform operating philosophy applied to device and operating tools
- If replacing electronic modules, transfer the device configuration via the integrated memory (HistoROM backup) which contains the process and measuring device data and the event logbook. No need to reconfigure.

Efficient diagnostics increase measurement reliability

- Troubleshooting measures can be called up via the device and in the operating tools
 - Diverse simulation options, logbook for events that occur and optional line recorder functions
-

Languages

Can be operated in the following languages:

- Via local operation
 English, German, French, Spanish, Italian, Dutch, Portuguese, Polish, Russian, Turkish, Chinese, Japanese, Korean, Vietnamese, Czech, Swedish
 - Via web browser
 English, German, French, Spanish, Italian, Dutch, Portuguese, Polish, Russian, Turkish, Chinese, Japanese, Vietnamese, Czech, Swedish
 - Via "FieldCare", "DeviceCare" operating tool: English, German, French, Spanish, Italian, Chinese, Japanese
-

Onsite operation

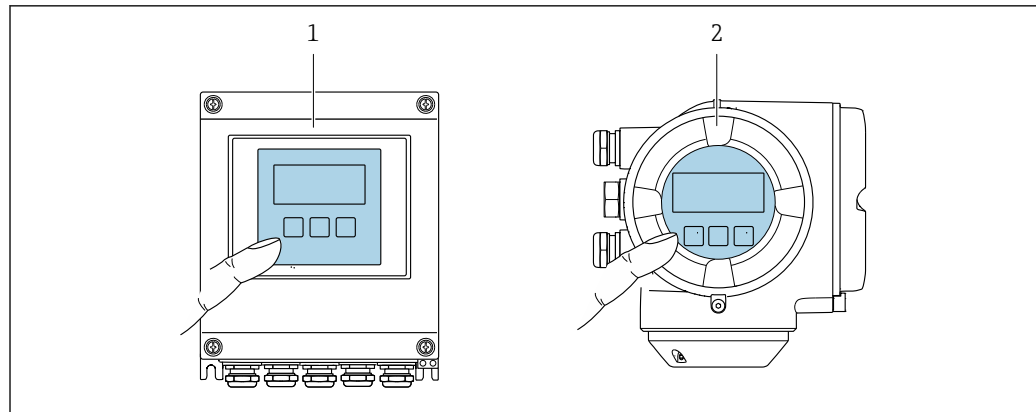
Via display module

Equipment level:

- Order code for "Display; operation", option F "4-line, illuminated, graphic display; touch control"
- Order code for "Display; operation", option G "4-line, illuminated, graphic display; touch control + WLAN"



Information about WLAN interface → 129



A0028232

61 Operation with touch control

- 1 Proline 500 – digital
- 2 Proline 500

Display elements

- 4-line, illuminated, graphic display
- White background lighting; switches to red in event of device errors
- Format for displaying measured variables and status variables can be individually configured

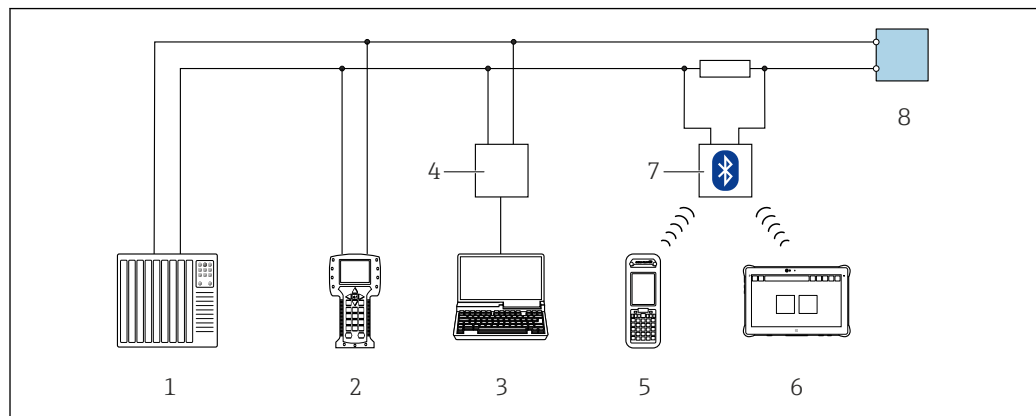
Operating elements

- External operation via touch control (3 optical keys) without opening the housing: \oplus , \ominus , \boxplus
- Operating elements also accessible in the various zones of the hazardous area

Remote operation

Via HART protocol

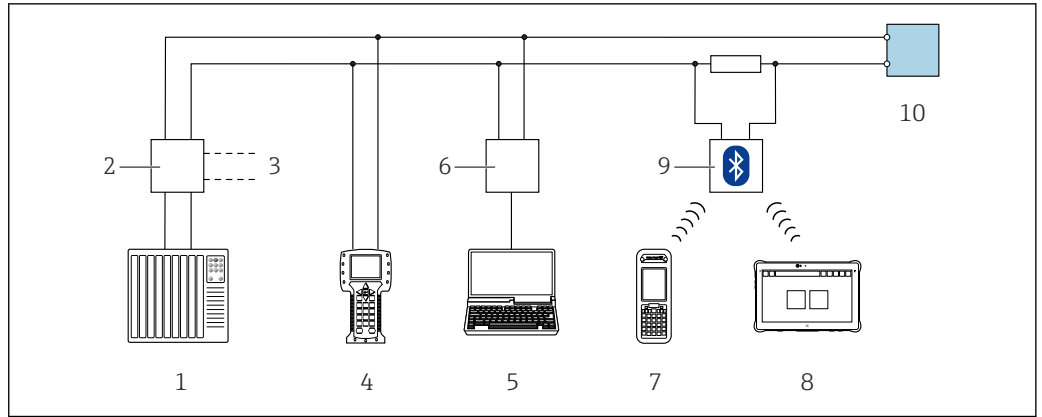
This communication interface is available in device versions with a HART output.



A0028747

62 Options for remote operation via HART protocol (active)

- 1 Automation system (e.g. PLC)
- 2 Field Communicator 475
- 3 Computer with web browser for accessing the integrated device web server or computer with operating tool (e.g. FieldCare, DeviceCare, AMS Device Manager, SIMATIC PDM) with COM DTM "CDI Communication TCP/IP"
- 4 Commubox FXA195 (USB)
- 5 Field Xpert SFX350 or SFX370
- 6 Field Xpert SMT70
- 7 VIATOR Bluetooth modem with connection cable
- 8 Transmitter



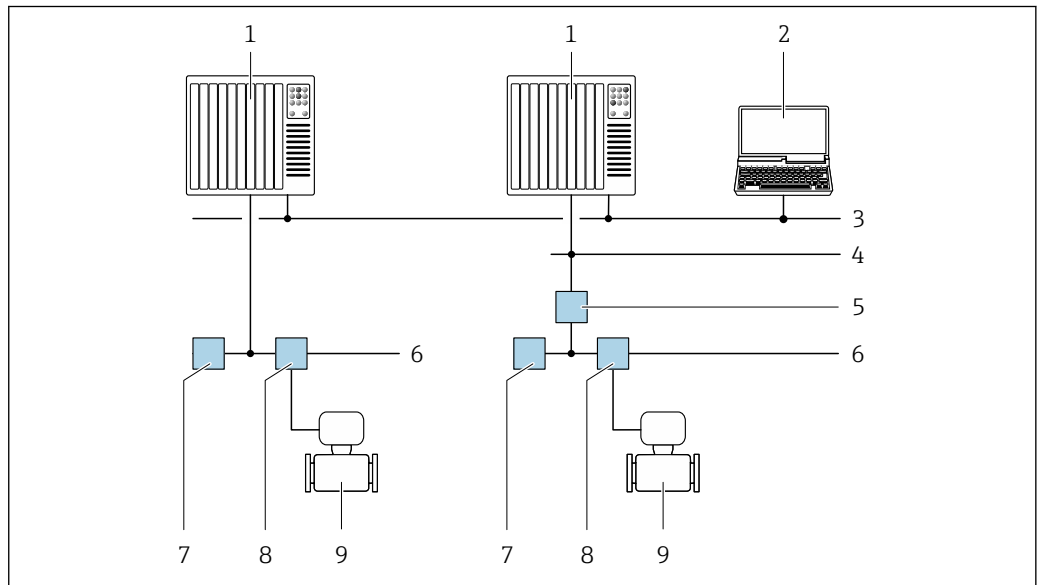
A0028746

63 Options for remote operation via HART protocol (passive)

- 1 Automation system (e.g. PLC)
- 2 Transmitter power supply unit, e.g. RN22 1N (with communication resistor)
- 3 Connection for Commubox FXA195 and Field Communicator 475
- 4 Field Communicator 475
- 5 Computer with web browser for accessing the integrated device web server or computer with operating tool (e.g. FieldCare, DeviceCare, AMS Device Manager, SIMATIC PDM) with COM DTM "CDI Communication TCP/IP"
- 6 Commubox FXA195 (USB)
- 7 Field Xpert SFX350 or SFX370
- 8 Field Xpert SMT70
- 9 VIATOR Bluetooth modem with connection cable
- 10 Transmitter

Via FOUNDATION Fieldbus network

This communication interface is available in device versions with FOUNDATION Fieldbus.



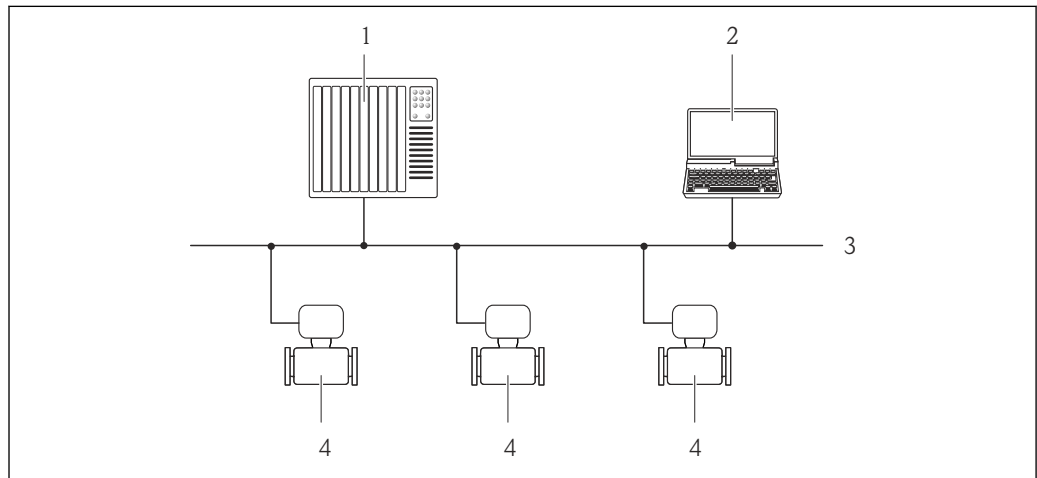
A0028837

64 Options for remote operation via FOUNDATION Fieldbus network

- 1 Automation system
- 2 Computer with FOUNDATION Fieldbus network card
- 3 Industry network
- 4 High Speed Ethernet FF-HSE network
- 5 Segment coupler FF-HSE/FF-H1
- 6 FOUNDATION Fieldbus FF-H1 network
- 7 Power supply FF-H1 network
- 8 T-box
- 9 Measuring instrument

Via PROFIBUS DP network

This communication interface is available in device versions with PROFIBUS DP.



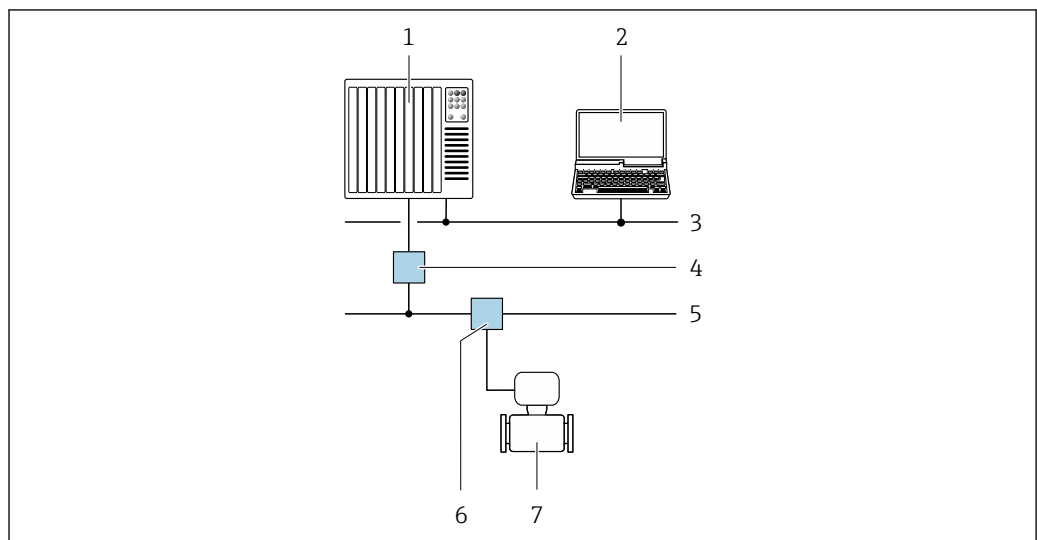
A0020903

65 Options for remote operation via PROFIBUS DP network

- 1 Automation system
- 2 Computer with PROFIBUS network card
- 3 PROFIBUS DP network
- 4 Measuring instrument

Via PROFIBUS PA network

This communication interface is available in device versions with PROFIBUS PA.



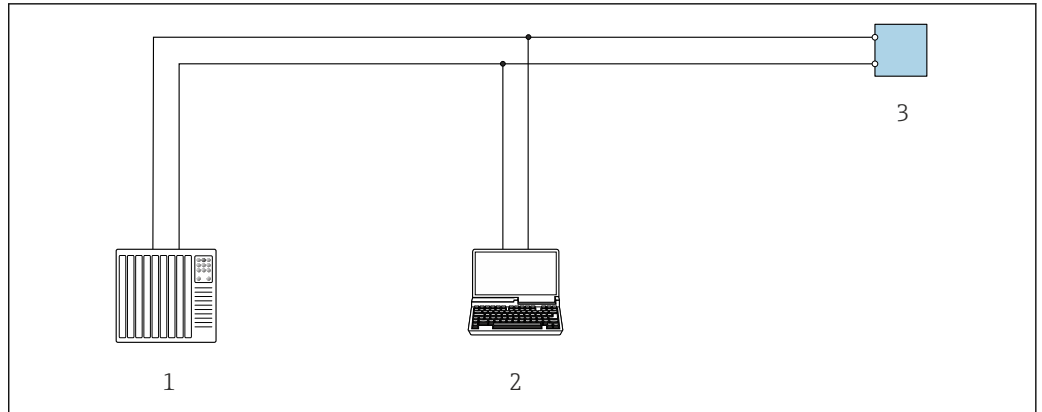
A0028838

66 Options for remote operation via PROFIBUS PA network

- 1 Automation system
- 2 Computer with PROFIBUS network card
- 3 PROFIBUS DP network
- 4 Segment coupler PROFIBUS DP/PA
- 5 PROFIBUS PA network
- 6 T-box
- 7 Measuring instrument

Via Modbus RS485 protocol

This communication interface is available in device versions with a Modbus RS485 output.



A0029437

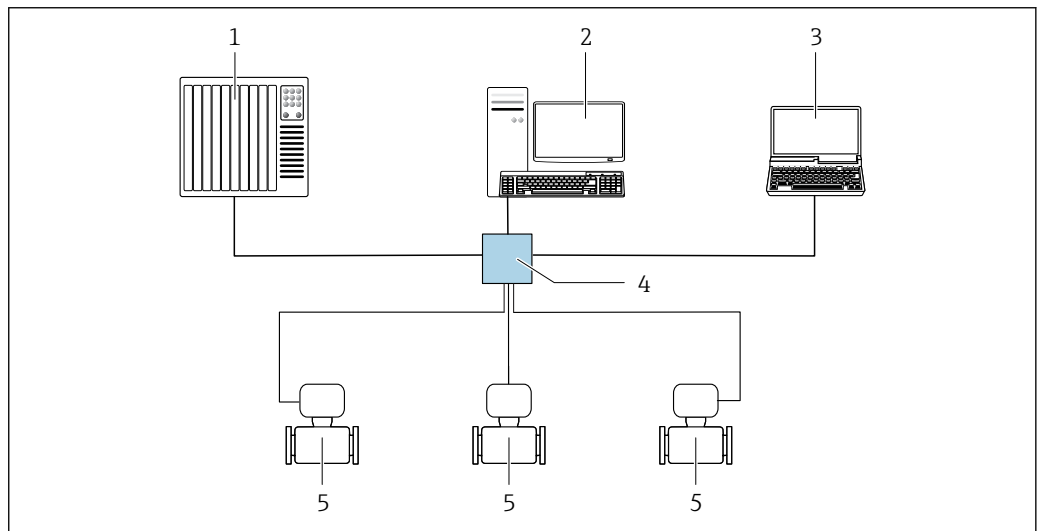
67 Options for remote operation via Modbus RS485 protocol (active)

- 1 Automation system (e.g. PLC)
- 2 Computer with web browser for accessing the integrated device web server or with operating tool (e.g. FieldCare, DeviceCare) with COM DTM "CDI Communication TCP/IP" or Modbus DTM
- 3 Transmitter

Via EtherNet/IP network

This communication interface is available in device versions with EtherNet/IP.

Star topology



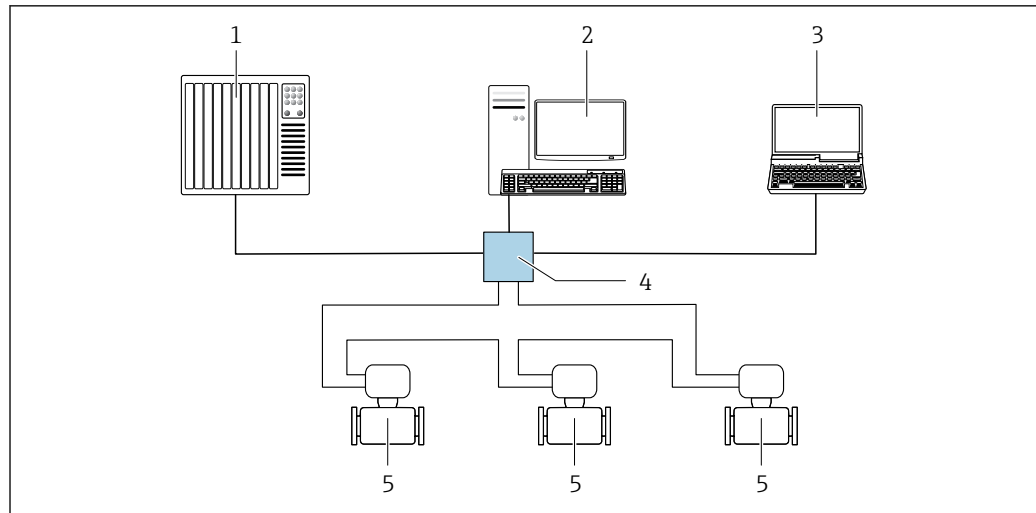
A0032078

68 Options for remote operation via Ethernet/IP network: star topology

- 1 Automation system, z. B. "RSLogix" (Rockwell Automation)
- 2 Workstation for measuring instrument operation: with Custom Add-On Profile for "RSLogix 5000" (Rockwell Automation) or with Electronic Data Sheet (EDS)
- 3 Computer with web browser for accessing the integrated web server or computer with operating tool (e.g. FieldCare, DeviceCare) with COM DTM "CDI Communication TCP/IP"
- 4 Standard Ethernet switch, e.g. Scalance X204 (Siemens)
- 5 Measuring instrument

Ring topology

The device is integrated via the terminal connection for signal transmission (output 1) and the service interface (CDI-RJ45).



A0033725

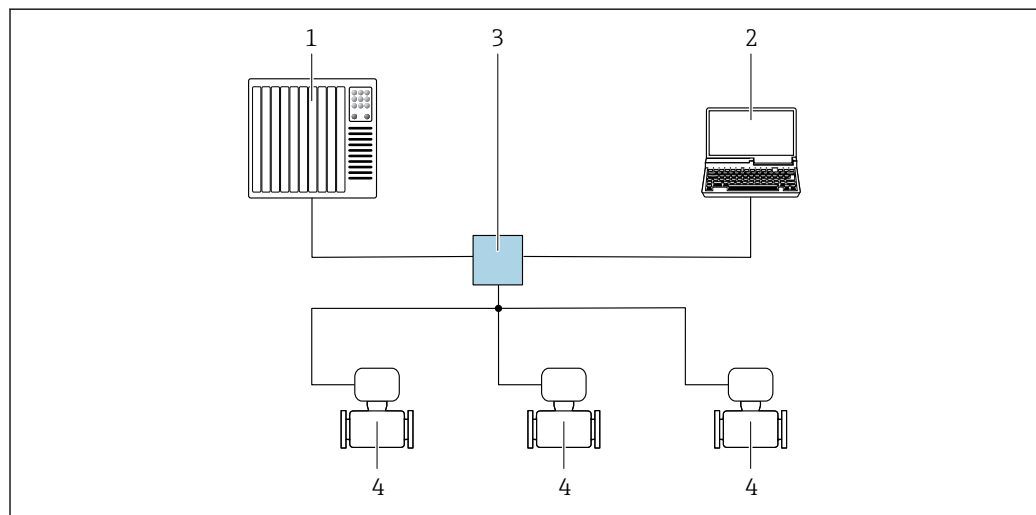
69 Options for remote operation via EtherNet/IP network: ring topology

- 1 Automation system, z. B. "RSLogix" (Rockwell Automation)
- 2 Workstation for measuring instrument operation: with Custom Add-On Profile for RSLogix 5000 (Rockwell Automation) or with Electronic Data Sheet (EDS)
- 3 Computer with web browser for accessing the integrated web server or computer with operating tool (e.g. FieldCare, DeviceCare) with COM DTM "CDI Communication TCP/IP"
- 4 Standard Ethernet switch, e.g. Scalance X204 (Siemens)
- 5 Measuring instrument

Via PROFINET network

This communication interface is available in device versions with PROFINET.

Star topology



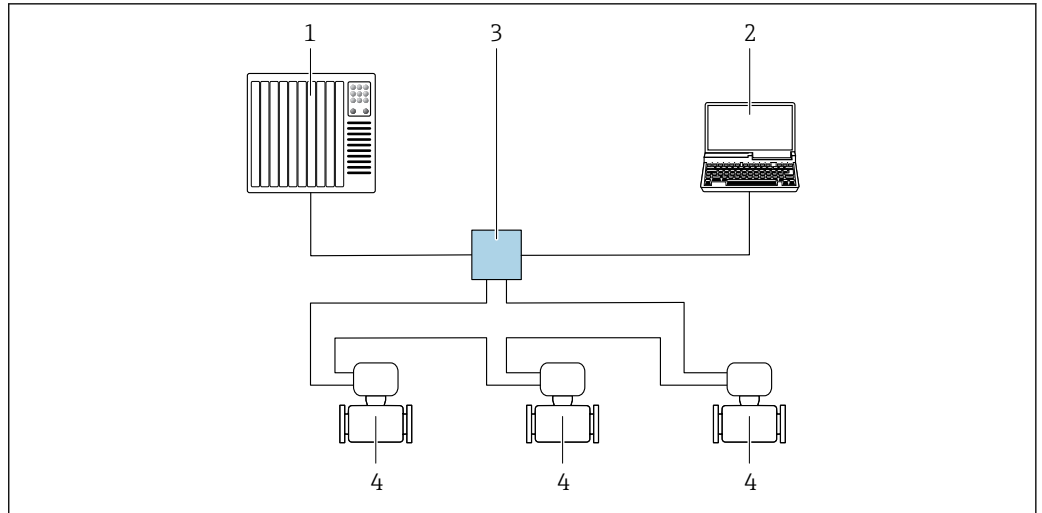
A0026545

70 Options for remote operation via PROFINET network: star topology

- 1 Automation system, e.g. Simatic S7 (Siemens)
- 2 Computer with web browser for accessing integrated web server or computer with operating tool (e.g. FieldCare, DeviceCare, SIMATIC PDM) with COM DTM "CDI Communication TCP/IP"
- 3 Standard Ethernet switch, e.g. Scalance X204 (Siemens)
- 4 Measuring instrument

Ring topology

The device is integrated via the terminal connection for signal transmission (output 1) and the service interface (CDI-RJ45).



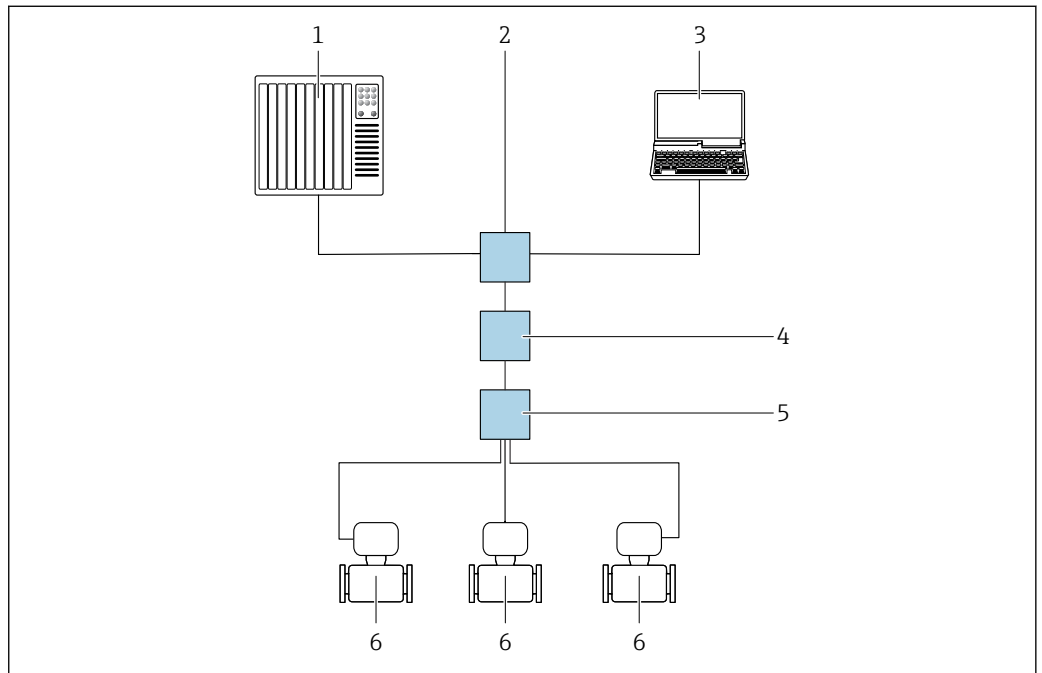
A0033719

71 Options for remote operation via PROFINET network: ring topology

- 1 Automation system, e.g., Simatic S7 (Siemens)
- 2 Computer with web browser for accessing integrated web server or computer with operating tool (e.g. FieldCare, DeviceCare, SIMATIC PDM) with COM DTM "CDI Communication TCP/IP"
- 3 Standard Ethernet switch, e.g. Scalance X204 (Siemens)
- 4 Measuring instrument

Via Modbus TCP over Ethernet-APL 10 Mbit/s, SPE 10 Mbit/s

This communication interface is available on port 1 in device versions with a Modbus TCP over Ethernet-APL output.



A0046117

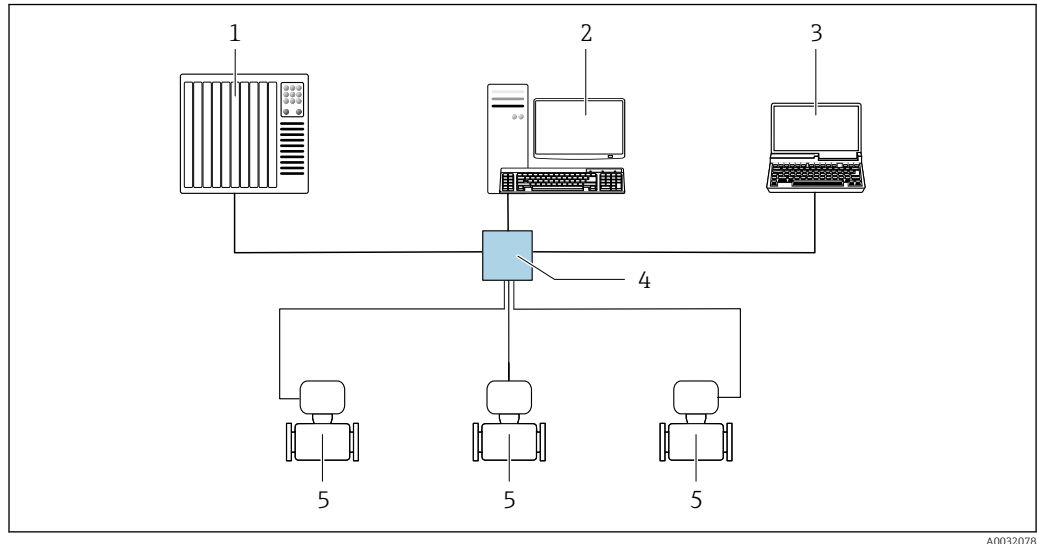
72 Options for remote operation via Modbus TCP over Ethernet-APL protocol (active)


- 1 Automation system, e.g. Simatic S7 (Siemens)
- 2 Ethernet switch, e.g. Scalance X204 (Siemens)
- 3 Computer with web browser or operating tool
- 4 APL power switch/SPE power switch (optional)
- 5 APL field switch/SPE field switch
- 6 Measuring instrument/communication via port 1 (terminal 26 + 27)

Via Modbus TCP over Ethernet 100 Mbit/s

This communication interface is available on port 2 in device versions with a Modbus TCP over Ethernet-APL output.

Star topology



 73 Options for remote operation via Modbus TCP over Ethernet - 100 Mbit/s: Star topology

- 1 Automation system, z. B. RSLogix (Rockwell Automation)
- 2 Workstation for measuring instrument operation: with Custom Add-On Profile for "RSLogix 5000" (Rockwell Automation) or with Electronic Data Sheet (EDS)
- 3 Computer with web browser or operating tool
- 4 Standard Ethernet switch, e.g. Stratix (Rockwell Automation)
- 5 Measuring instrument/communication via port 2 (RJ45 connector)

Service interface

Via service interface (CDI-RJ45)

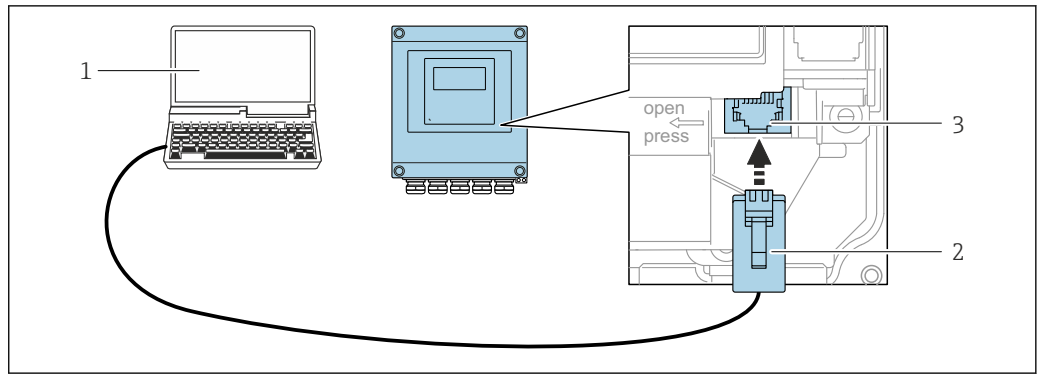
To configure the device on site, a point-to-point connection can be established. Alternatively, a connection via Modbus TCP can be used. The connection is made with the housing open, directly via the device's service interface (CDI-RJ45).

 An adapter for the RJ45 to the M12 connector is optionally available for the non-hazardous area:

Order code for "Accessories", option **NB**: "Adapter RJ45 M12 (service interface)"

The adapter connects the service interface (CDI-RJ45) to an M12 connector mounted in the cable entry. The connection to the service interface can be established via an M12 connector without opening the device.

Proline 500 – digital transmitter

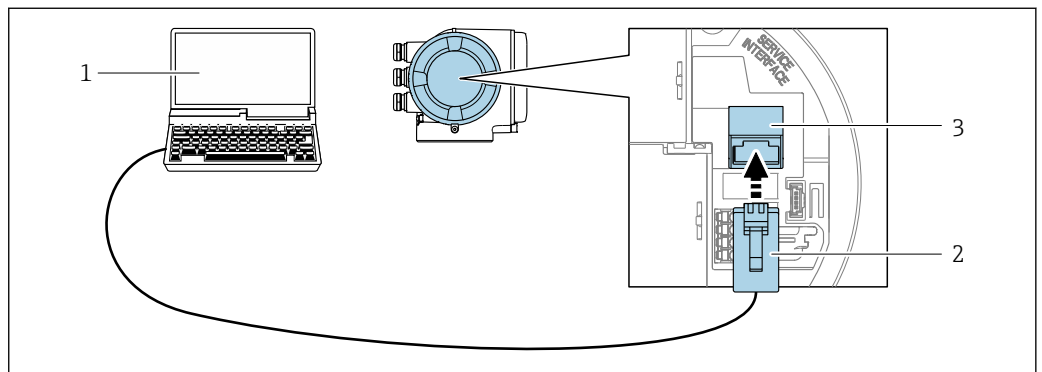


A0029163

74 Connection via service interface (CDI-RJ45)

- 1 Computer with web browser for accessing the integrated web server or computer with operating tool, e.g. "FieldCare", "DeviceCare" with COM DTM "CDI Communication TCP/IP" or operating tool
- 2 Standard Ethernet connecting cable with RJ45 connector
- 3 Service interface (CDI-RJ45) of the measuring instrument with access to the integrated web server

Proline 500 transmitter



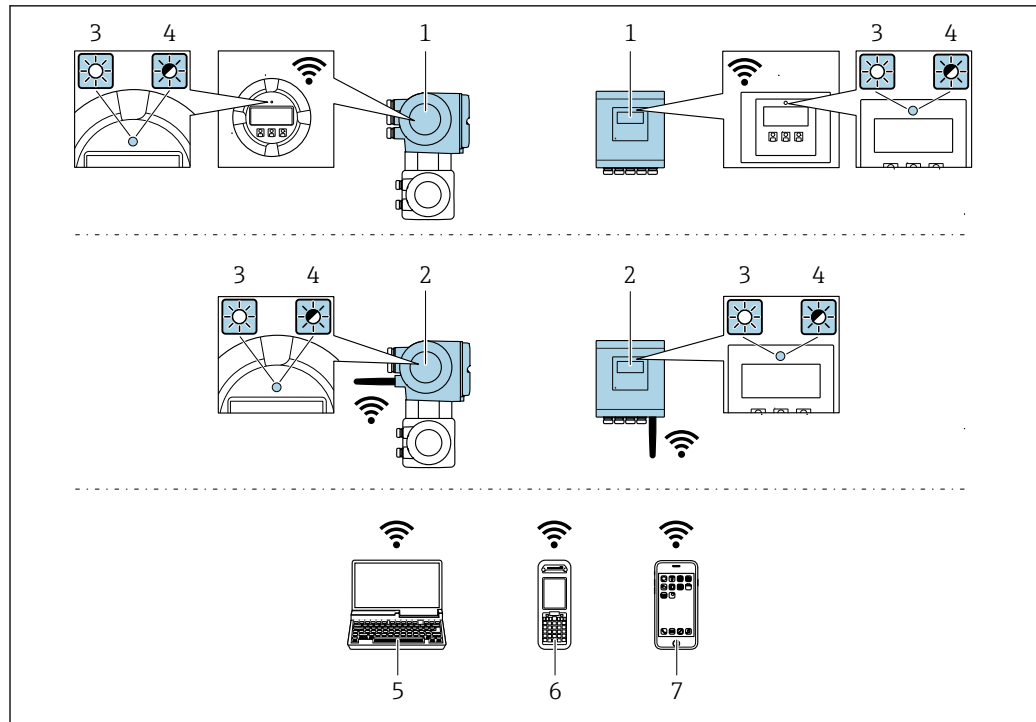
A0027563

75 Connection via service interface (CDI-RJ45)

- 1 Computer with web browser for accessing integrated web server or with operating tool e.g. "FieldCare", "DeviceCare", with COM DTM "CDI Communication TCP/IP" or Modbus DTM or operating tool
- 2 Standard Ethernet connecting cable with RJ45 connector
- 3 Service interface (CDI-RJ45) of the measuring instrument with access to the integrated web server

Via WLAN interface

The optional WLAN interface is available on the following device version:
 Order code for "Display; operation", option G "4-line, illuminated; touch control + WLAN"



A0034569

- 1 Transmitter with integrated WLAN antenna
- 2 Transmitter with external WLAN antenna
- 3 LED lit constantly: WLAN reception is enabled on measuring instrument
- 4 LED flashing: WLAN connection established between operating unit and measuring instrument
- 5 Computer with WLAN interface and web browser for accessing integrated device web server or with operating tool e.g. FieldCare, DeviceCare)
- 6 Mobile handheld terminal with WLAN interface and web browser for accessing integrated device web server or operating tool (e.g. FieldCare, DeviceCare)
- 7 Smartphone or tablet (e.g. Field Xpert SMT70)


Function	WLAN: IEEE 802.11 b/g (2.4 GHz) <ul style="list-style-type: none"> ▪ Access point with DHCP server (factory setting) ▪ Network
Encryption	WPA2-PSK AES-128 (in accordance with IEEE 802.11i)
Configurable WLAN channels	1 to 11
Degree of protection	IP66/67
Available antennas	<ul style="list-style-type: none"> ▪ Internal antenna ▪ External antenna (optional) In the event of poor transmission/reception conditions at the place of installation. Available as an accessory → 139. <p>i Only 1 antenna is active at any one time!</p>
Range	<ul style="list-style-type: none"> ▪ Internal antenna: typically 10 m (32 ft) ▪ External antenna: typically 50 m (164 ft)
Materials (external antenna)	<ul style="list-style-type: none"> ▪ Antenna: ASA plastic (acrylonitrile styrene acrylate) and nickel-plated brass ▪ Adapter: Stainless steel and nickel-plated brass ▪ Cable: Polyethylene ▪ Plug: Nickel-plated brass ▪ Angle bracket: Stainless steel

Network integration

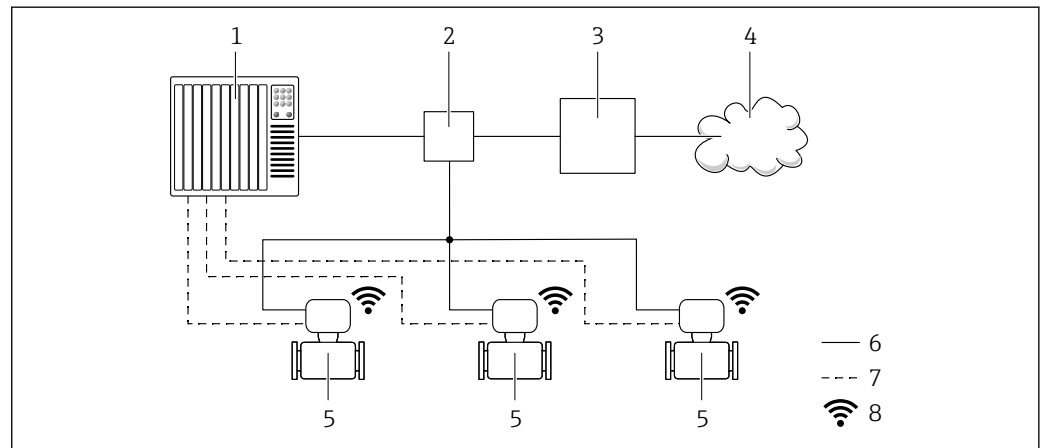


Network integration is only available for the HART communication protocol.

With the optional "OPC UA Server" application package, the device can be integrated into an Ethernet network via the service interface (CDI-RJ45 and WLAN) and communicate with OPC UA clients. If the device is used in this way, IT security must be considered.


 For detailed information on connecting transmitters with an Ex de approval, see separate document "Safety instructions" (XA) for the device.

For permanent access to device data and for device configuration via the web server, the device is incorporated directly in a network via the service interface (CDI-RJ45). In this way, the device can be accessed any time from the control station. The measured values are processed separately via the inputs and outputs through the automation system.



A0033618


- 1 Automation system, e.g. Simatic S7 (Siemens)
- 2 Ethernet switch
- 3 Edge Gateway
- 4 Cloud
- 5 Measuring instrument
- 6 Ethernet network
- 7 Measured values via inputs and outputs
- 8 Optional WLAN interface

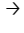
 The optional WLAN interface is available on the following device version:
Order code for "Display; operation", option G "4-line, backlit, graphic display; touch control + WLAN"


 Special Documentation for the OPC UA Server application package →  144.

Supported operating tools

Different operating tools can be used for local or remote access to the measuring device. Depending on the operating tool used, access is possible with different operating units and via a variety of interfaces.

Supported operating tools	Operating unit	Interface	Additional information
Web browser	Notebook, PC or tablet with web browser	<ul style="list-style-type: none"> ■ Service interface CDI-RJ45 ■ WLAN interface ■ Ethernet-based fieldbus (EtherNet/IP, PROFINET, Modbus TCP over Ethernet-APL) 	Special Documentation for device
DeviceCare SFE100	Notebook, PC or tablet with Microsoft Windows system	<ul style="list-style-type: none"> ■ Service interface CDI-RJ45 ■ WLAN interface ■ Fieldbus protocol ■ Modbus TCP over Ethernet-APL 	→  141

Supported operating tools	Operating unit	Interface	Additional information
FieldCare SFE500	Notebook, PC or tablet with Microsoft Windows system	<ul style="list-style-type: none"> ■ Service interface CDI-RJ45 ■ WLAN interface ■ Fieldbus protocol 	→  141
Field Xpert	SMT70/77/50	<ul style="list-style-type: none"> ■ All fieldbus protocols ■ WLAN interface ■ Bluetooth ■ Service interface CDI-RJ45 	Operating Instructions BAO1202S Device description files: Use update function of handheld terminal

 Other operating tools based on FDT technology with a device driver such as DTM/iDTM or DD/EDD can be used for device operation. These operating tools are available from the individual manufacturers. Integration into the following operating tools, among others, is supported:

- FactoryTalk AssetCentre (FTAC) from Rockwell Automation → www.rockwellautomation.com
- Process Device Manager (PDM) from Siemens → www.siemens.com
- Asset Management Solutions (AMS) from Emerson → www.emersonprocess.com
- FieldCommunicator 375/475 from Emerson → www.emersonprocess.com
- Emersons TREX → www.emerson.com
- Field Device Manager (FDM) from Honeywell → www.process.honeywell.com
- FieldMate from Yokogawa → www.yokogawa.com
- PACTWare → www.pactware.com

The related device description files are available: www.endress.com → Download Area



Web server

The integrated web server can be used to operate and configure the device via a web browser via Ethernet-APL, via service interface (CDI-RJ45) or via WLAN interface. The structure of the operating menu is the same as for the local display. In addition to the measured values, status information on the device is displayed and can be used to monitor device health. Furthermore the device data can be managed and the network parameters can be configured.

A device that has a WLAN interface (can be ordered as an option) is required for the WLAN connection: order code for "Display; Operation", option G "4-line, illuminated; touch control + WLAN". The device acts as an Access Point and enables communication by computer or a mobile handheld terminal.


Supported functions

Data exchange between the operating unit (such as a notebook, for example,) and measuring instrument:

- Upload the configuration from the measuring instrument (XML format, configuration backup)
- Save the configuration to the measuring instrument (XML format, restore configuration)
- Export event list (.csv file)
- Export parameter settings (.csv file or PDF file, document the measuring point configuration)
- Export the Heartbeat Technology verification report (PDF file, only available with the **Heartbeat Verification** →  138 application package)
- Flash firmware version for device firmware upgrade, for example
- Download driver for system integration
- Visualize up to 1000 saved measured values (only available with the **Extended HistoROM** application package →  138)

HistoROM data management

The measuring instrument features HistoROM data management. HistoROM data management comprises both the storage and import/export of key device and process data, making operation and servicing far more reliable, secure and efficient.

 When the device is delivered, the factory settings of the configuration data are stored as a backup in the device memory. This memory can be overwritten with an updated data record, for example after commissioning.

Additional information on the data storage concept

There are different types of data storage units in which device data are stored and used by the device:

	HistoROM backup	T-DAT	S-DAT
Available data	<ul style="list-style-type: none"> ▪ Event logbook, e.g. diagnostic events ▪ Parameter data record backup ▪ Device firmware package ▪ Driver for system integration for exporting via web server, e.g.: <ul style="list-style-type: none"> ▪ GSD for PROFIBUS DP ▪ GSD for PROFIBUS PA ▪ GSD for PROFINET ▪ EDS for EtherNet/IP ▪ DD for FOUNDATION Fieldbus 	<ul style="list-style-type: none"> ▪ Measured value logging ("Extended HistoROM" order option) ▪ Current parameter data record (used by firmware at run time) ▪ Indicator (minimum/maximum values) ▪ Totalizer value 	<ul style="list-style-type: none"> ▪ Sensor data: e.g. nominal diameter ▪ Serial number ▪ Calibration data ▪ Device configuration (e.g. SW options, fixed I/O or multi I/O)
Storage location	Fixed on the user interface PC board in the connection compartment	Can be plugged into the user interface PC board in the connection compartment	In the sensor plug in the transmitter neck part

Data backup

Automatic

- The most important device data (sensor and transmitter) are automatically saved in the DAT modules
- If the transmitter or measuring device is replaced: once the T-DAT containing the previous device data has been exchanged, the new measuring device is ready for operation again immediately without any errors
- If the sensor is replaced: once the sensor has been replaced, new sensor data are transferred from the S-DAT in the measuring device and the measuring device is ready for operation again immediately without any errors
- If exchanging the electronics module (e.g. I/O electronics module): Once the electronics module has been replaced, the software of the module is compared against the current device firmware. The module software is upgraded or downgraded where necessary. The electronics module is available for use immediately afterwards and no compatibility problems occur.

Manual

Additional parameter data record (complete parameter settings) in the integrated device memory HistoROM backup for:

- Data backup function
Backup and subsequent restoration of a device configuration in the device memory HistoROM backup
- Data comparison function
Comparison of the current device configuration with the device configuration saved in the device memory HistoROM backup

Data transmission

Manual

- Transfer of a device configuration to another device using the export function of the specific operating tool, e.g. with FieldCare, DeviceCare or web server: to duplicate the configuration or to store in an archive (e.g. for backup purposes)
- Transmission of the drivers for system integration via web server, e.g.:
 - GSD for PROFIBUS DP
 - GSD for PROFIBUS PA
 - GSD for PROFINET
 - EDS for Ethernet/IP
 - DD for FOUNDATION fieldbus

Event list

Automatic

- Chronological display of up to 20 event messages in the events list
- If the **Extended HistoROM** application package (order option) is enabled: up to 100 event messages are displayed in the events list along with a time stamp, plain text description and remedial measures
- The events list can be exported and displayed via a variety of interfaces and operating tools e.g. DeviceCare, FieldCare or Web server

Data logging

Manual


If the **Extended HistoROM** application package (order option) is enabled:

- Recording of 1 to 4 channels of up to 1 000 measured values (up to 250 measured values per channel)
- User configurable recording interval
- Export the measured value log via a variety of interfaces and operating tools e.g. FieldCare, DeviceCare or web server


Certificates and approvals

Current certificates and approvals for the product are available at www.endress.com on the relevant product page:


1. Select the product using the filters and search field.
2. Open the product page.
3. Select **Downloads**.

CE mark	<p>The device meets the legal requirements of the applicable EU Directives. These are listed in the corresponding EU Declaration of Conformity along with the standards applied.</p> <p>Endress+Hauser confirms successful testing of the device by affixing to it the CE mark.</p>
UKCA marking	<p>The device meets the legal requirements of the applicable UK regulations (Statutory Instruments). These are listed in the UKCA Declaration of Conformity along with the designated standards. By selecting the order option for UKCA marking, Endress+Hauser confirms a successful evaluation and testing of the device by affixing the UKCA mark.</p> <p>Contact address Endress+Hauser UK: Endress+Hauser Ltd. Floats Road Manchester M23 9NF United Kingdom www.uk.endress.com</p>
RCM marking	<p>The measuring system meets the EMC requirements of the "Australian Communications and Media Authority (ACMA)".</p>
Ex-approval	<p>The measuring device is certified for use in hazardous areas and the relevant safety instructions are provided in the separate "Safety Instructions" (XA) document. Reference is made to this document on the nameplate.</p> <p> The separate Ex documentation (XA) containing all the relevant explosion protection data is available from your Endress+Hauser sales center.</p>

Sanitary compatibility

- 3-A approval
 - Confirmation by affixing the 3-A symbol for measuring instruments with the order code for "Additional approval", option LP "3-A".
 - When installing the measuring instrument, ensure that no liquid can accumulate on the outside of the measuring instrument.
Remote transmitters must be installed in accordance with the 3-A Standard.
 - Accessories and process connections (e.g. weather protection cover, wall holder unit) must be selected and installed in accordance with the 3-A Standard.
Each accessory can be cleaned. Disassembly may be necessary under certain circumstances.
 - EHEDG-certified (Type EL Class I)
 - Confirmation by affixing the EHEDG symbol for measuring instruments with the order code for "Additional approval", option LT "EHEDG".
 - EPDM is not a suitable seal material for media with a fat content > 8 %.
 - To meet the requirements for EHEDG certification, the device must be used with process connections in accordance with the EHEDG position paper entitled "Easy cleanable Pipe couplings and Process connections" (www.ehedg.org).
 - The EHEDG cleanability test requires a flow velocity of 1.5 m/s in the process line. This velocity must be ensured for EHEDG-compliant cleaning.
 - The requirements of the Food Contact Material Regulations must be observed when selecting the materials used.
 - FDA 21 CFR 177.1550
 - Food Contact Materials Regulation (EC) 1935/2004
 - Food Contact Materials Regulation GB 4806
 - Pasteurized Milk Ordinance (PMO)
-  Binding information on the applicable conformities can be found in the relevant applicable Declaration of Conformity.



Pharmaceutical compatibility

- USP <87>
 - USP <88> Class VI 121 °C
 - TSE/BSE Certificate of Suitability
 - cGMP
Devices with the order code for "Test, certificate", option JG "Conformity with cGMP-derived requirements, declaration" comply with the requirements of cGMP with regard to the surfaces of parts in contact with the medium, design, material conformity, USP Class VI tests and TSE/BSE conformity.
A serial number-specific declaration is generated.
-  Binding information on the applicable conformities can be found in the relevant applicable Declaration of Conformity.

Functional safety

The measuring instrument can be used for flow monitoring systems (min., max., range) up to SIL 2 (single-channel architecture; order code for "Additional approval", option LA) and SIL 3 (multi-channel architecture with homogeneous redundancy) and is independently evaluated and certified in accordance with IEC 61508.

The following types of monitoring in safety equipment are possible:

 Functional safety manual with information for the SIL device →  143

HART certification

HART interface

The measuring device is certified and registered by the FieldComm Group. The measuring system meets all the requirements of the following specifications:

- Certified according to HART 7
- The device can also be operated with certified devices of other manufacturers (interoperability)

FOUNDATION Fieldbus certification

FOUNDATION Fieldbus interface

The measuring device is certified and registered by the FieldComm Group. The measuring system meets all the requirements of the following specifications:

- Certified in accordance with FOUNDATION Fieldbus H1
- Interoperability Test Kit (ITK), revision version 6.2.0 (certificate available on request)
- Physical Layer Conformance Test
- The device can also be operated with certified devices of other manufacturers (interoperability)

Certification PROFIBUS**PROFIBUS interface**

The measuring device is certified and registered by the PNO (PROFIBUS Nutzerorganisation e.V./ PROFIBUS User Organization). The measuring system meets all the requirements of the following specifications:

- Certified according to PA Profile 3.02
- The device can also be operated with certified devices of other manufacturers (interoperability)

EtherNet/IP certification

The measuring device is certified and registered by the ODVA (Open Device Vendor Association). The measuring system meets all the requirements of the following specifications:

- Certified in accordance with the ODVA Conformance Test
- EtherNet/IP Performance Test
- EtherNet/IP PlugFest compliance
- The device can also be operated with certified devices of other manufacturers (interoperability)

Certification PROFINET**PROFINET interface**

The measuring instrument is certified and registered by the PROFIBUS Nutzerorganisation e.V. (PNO). The measuring system meets all the requirements of the following specifications:

- Certified according to:
 - Test specification for PROFINET devices
 - PROFINET Netload Class 2 100 Mbit/s
- The device can also be operated with certified devices of other manufacturers (interoperability).
- The device supports PROFINET S2 system redundancy.

PROFINET over Ethernet-APL certification**PROFINET interface**

The measuring instrument is certified and registered by the PROFIBUS Nutzerorganisation e.V. (PNO). The measuring system meets all the requirements of the following specifications:

- Certified according to:
 - Test specification for PROFINET devices
 - PROFINET PA Profile 4.02
 - PROFINET Netload Robustness Class 2 10 Mbit/s
 - APL conformance test
- The device can also be operated with certified devices of other manufacturers (interoperability)
- The device supports PROFINET S2 system redundancy.

Radio approval

The measuring instrument has radio approval.



For detailed information on the radio approval, see the Special Documentation

Pressure Equipment Directive

The measuring instruments can be ordered with or without PED or PESR. If a device with PED or PESR is required, this must be ordered explicitly. For devices with nominal diameters less than or equal to DN 25 (NPS 1"), this is neither possible nor necessary. A UK order option must be selected for PESR under the order code for "Approvals".

- With the marking
 - a) PED/G1/x (x = category) or
 - b) PESR/G1/x (x = category)
 on the sensor nameplate, Endress+Hauser confirms compliance with the "Essential Safety Requirements"
 - a) specified in Annex I of the Pressure Equipment Directive 2014/68/EU or
 - b) Schedule 2 of Statutory Instruments 2016 No. 1105.
- Devices bearing this marking (PED or PESR) are suitable for the following types of medium: Media in Group 1 and 2 with a vapor pressure greater than, or smaller and equal to 0.5 bar (7.3 psi)
- Devices not bearing this marking (without PED or PESR) are designed and manufactured according to sound engineering practice. They meet the requirements of
 - a) Art. 4, Section 3 of the Pressure Equipment Directive 2014/68/EU or
 - b) Part 1, Section 8 of Statutory Instruments 2016 No. 1105.
 The scope of application is indicated
 - a) in diagrams 6 to 9 in Annex II of the Pressure Equipment Directive 2014/68/EU or
 - b) in Schedule 3, Section 2 of Statutory Instruments 2016 No. 1105.

Additional certification**Marine approval**

Currently valid certificates are available:

- In the Downloads area of the Endress+Hauser website: www.endress.com → Downloads
- Specify the following details:
 - Product root: e.g. 5H5B
 - Search: Approval & Certificates → Marine

PWIS-free

PWIS = paint-wetting impairment substances

Order code for "Service":

- Option **HC**: PWIS-free (version A)
- Option **HD**: PWIS-free (version B)
- Option **HE**: PWIS-free (version C)



For more information on PWIS-free certification, see "Test specification" document TS01028D

Tests and certificates

- EN10204-3.1 material certificate, wetted parts and sensor housing (order code for "Test, certificate", option JA)
- Pressure test, internal process, test report (order code for "Test, certificate", option JB)

External standards and guidelines

- EN 60529
Degrees of protection provided by enclosure (IP code)
- EN 61010-1
Safety requirements for electrical equipment for measurement, control and laboratory use - general requirements
- GB 30439.5
Safety requirements for industrial automation products - Part 5: Flowmeter safety requirements
- EN 61326-1/-2-3
EMC requirements for electrical equipment for measurement, control and laboratory use
- NAMUR NE 21
Electromagnetic compatibility (EMC) of industrial process and laboratory control equipment
- NAMUR NE 32
Data retention in the event of a power failure in field and control instruments with microprocessors
- NAMUR NE 43
Standardization of the signal level for the breakdown information of digital transmitters with analog output signal.
- NAMUR NE 53
Software of field devices and signal-processing devices with digital electronics
- NAMUR NE 105
Specifications for integrating fieldbus devices in engineering tools for field devices
- NAMUR NE 107
Self-monitoring and diagnostics of field devices
- NAMUR NE 131
Requirements for field devices for standard applications
- ETSI EN 300 328
Guidelines for 2.4 GHz radio components.
- EN 301489
Electromagnetic compatibility and radio spectrum matters (ERM).

Ordering information

Detailed ordering information is available from your nearest sales organization www.addresses.endress.com or in the Product Configurator at www.endress.com:

1. Select the product using the filters and search field.
2. Open the product page.

3. Select Configuration.



Product Configurator - the tool for individual product configuration

- Up-to-the-minute configuration data
- Depending on the device: direct input of information specific to the measuring point, such as the measuring range or operating language
- Automatic verification of exclusion criteria
- Automatic creation of the order code and its breakdown in PDF or Excel output format
- Ability to order directly in the Endress+Hauser Online Shop

Application packages

Many different application packages are available to enhance the functionality of the device. Such packages might be needed to address safety aspects or specific application requirements.

The application packages can be ordered with the device or subsequently from Endress+Hauser. Detailed information on the order code in question is available from your local Endress+Hauser sales center or on the product page of the Endress+Hauser website: www.endress.com.

Diagnostic functionality

Order code for "Application package", option EA "Extended HistoROM"

Comprises extended functions concerning the event log and the activation of the measured value memory.

Event log:

Memory volume is extended from 20 message entries (standard version) to up to 100 entries.

Data logging (line recorder):

- Memory capacity for up to 1000 measured values is activated.
- 250 measured values can be output via each of the 4 memory channels. The recording interval can be defined and configured by the user.
- Measured value logs can be accessed via the local display or operating tool e.g. FieldCare, DeviceCare or Web server.



For detailed information, see the Operating Instructions for the device.

Heartbeat Technology

Order code for "Application package", option EB "Heartbeat Verification + Monitoring"

Heartbeat Verification

Meets the requirement for traceable verification in accordance with DIN ISO 9001:2015 Clause 7.6 a) "Control of monitoring and measuring equipment".

- Functional testing in the installed state without interrupting the process.
- Traceable verification results on request, including a report.
- Simple testing process via local operation or other operating interfaces.
- Clear measuring point assessment (pass/fail) with high total test coverage within the framework of manufacturer specifications.
- Extension of calibration intervals according to operator's risk evaluation.

Heartbeat Monitoring

Continuously supplies data, which are characteristic of the measuring principle, to an external condition monitoring system for the purpose of preventive maintenance or process analysis. These data enable the operator to:

- Draw conclusions - using these data and other information - about the impact the process influences (e.g. buildup, magnetic field interferences) have on measuring performance over time.
- Schedule servicing in time.
- Monitor the process or product quality.



Detailed information on Heartbeat Technology:
Special Documentation → 143

Cleaning

Order code for "Application package", option EC "ECC electrode cleaning "

The electrode cleaning circuit (ECC) function has been developed to have a solution for applications where magnetite (Fe_3O_4) deposits frequently occur (e.g. hot water). Since magnetite is highly conductive this build up leads to measuring errors and ultimately to the loss of signal. The

application package is designed to avoid build-up of very conductive matter and thin layers (typical of magnetite).



For detailed information, see the Operating Instructions for the device.

OPC-UA Server

Order code for "Application package", option EL "OPC-UA Server"

The application package provides an integrated OPC-UA server for comprehensive device services for IoT and SCADA applications.



For detailed information, see the Special Documentation for the device.







Accessories

Various accessories, which can be ordered with the device or subsequently from Endress+Hauser, are available for the device. Detailed information on the order code in question is available from your local Endress+Hauser sales center or on the product page of the Endress+Hauser website: www.endress.com.



Device-specific accessories

For the transmitter







Accessory	Description
Transmitter <ul style="list-style-type: none"> ▪ Proline 500 – digital ▪ Proline 500 	Transmitter for replacement or storage. Use the order code to define the following specifications: <ul style="list-style-type: none"> ▪ Approvals ▪ Output ▪ Input ▪ Display/operation ▪ Housing ▪ Software <ul style="list-style-type: none"> ▪ Proline 500 – digital transmitter: Order number: 5X5BXX-*****A ▪ Proline 500 transmitter: Order number: 5X5BXX-*****B <ul style="list-style-type: none"> Proline 500 transmitter for replacement: It is essential to specify the serial number of the current transmitter when ordering. On the basis of the serial number, the device-specific data (e.g. calibration factors) of the replaced device can be used for the new transmitter. <ul style="list-style-type: none"> ▪ Proline 500 – digital transmitter: Installation Instructions EA01151D ▪ Proline 500 transmitter: Installation Instructions EA01152D
External WLAN antenna	External WLAN antenna with 1.5 m (59.1 in) connecting cable and two angle brackets. Order code for "Accessory enclosed", option P8 "Wireless antenna wide area". <ul style="list-style-type: none"> ▪ The external WLAN antenna is not suitable for use in hygienic applications. ▪ Further information on the WLAN interface → 129. <ul style="list-style-type: none"> Order number: 71351317 <ul style="list-style-type: none"> Installation Instructions EA01238D
Pipe mounting set	Pipe mounting set for transmitter. <ul style="list-style-type: none"> Proline 500 – digital transmitter Order number: 71346427 <ul style="list-style-type: none"> Installation Instructions EA01195D <ul style="list-style-type: none"> Proline 500 transmitter Order number: 71346428

Protective cover Transmitter <ul style="list-style-type: none"> ■ Proline 500 – digital ■ Proline 500 	Is used to protect the measuring instrument from the effects of the weather: e.g. rainwater, excess heating from direct sunlight. <ul style="list-style-type: none">  <ul style="list-style-type: none"> ■ Proline 500 – digital transmitter Order number: 71343504 ■ Proline 500 transmitter Order number: 71343505  Installation Instructions EA01191D
Display guard Proline 500 – digital	Is used to protect the display against impact or scoring, for example from sand in desert areas. <ul style="list-style-type: none">  Order number: 71228792  Installation Instructions EA01093D
Connecting cable Proline 500 – digital Sensor – Transmitter	The connecting cable can be ordered directly with the measuring instrument (order code for "Cable, sensor connection") or as an accessory (order number DK5012). The following cable lengths are available: order code for "Cable, sensor connection" <ul style="list-style-type: none"> ■ Option B: 20 m (65 ft) ■ Option E: User-configurable up to max. 50 m ■ Option F: User-configurable up to max. 165 ft <ul style="list-style-type: none">  Maximum possible cable length for a Proline 500 – digital connecting cable: 300 m (1000 ft)
Connecting cable Proline 500 Sensor – Transmitter	The connecting cable can be ordered directly with the measuring instrument (order code for "Cable, sensor connection") or as an accessory (order number DK5012). The following cable lengths are available: order code for "Cable, sensor connection" <ul style="list-style-type: none"> ■ Option 1: 5 m (16 ft) ■ Option 2: 10 m (32 ft) ■ Option 3: 20 m (65 ft) ■ Option 4: User-configurable cable length (m) ■ Option 5: User-configurable cable length (ft) <ul style="list-style-type: none">  Possible cable length for a Proline 500 connecting cable: depending on the medium conductivity, max. 200 m (660 ft)

For the sensor



Accessory	Description
Adapter set	Adapter connections for installing a Promag H instead of a Promag 30/33 A or Promag 30/33 H (DN 25). Scope of delivery: <ul style="list-style-type: none"> ■ 2 process connections ■ Screws ■ Seals
Seal set	For the regular replacement of seals for the sensor.
Spacer	If replacing a DN 80/100 sensor in an existing installation, a spacer is needed if the new sensor is shorter.
Welding jig	Welding nipple as process connection: welding jig for installation in pipe.
Grounding rings	Used to ground the medium in lined measuring tubes to ensure proper measurement. <ul style="list-style-type: none">  Grounding rings can be ordered via the device order structure or configured and ordered as an accessory via the DK5HR order structure.
Ground disks	Used to ground the medium in lined measuring tubes to ensure proper measurement. <ul style="list-style-type: none">  For details, see Installation Instructions EA00070D
Mounting kit	Scope of delivery: <ul style="list-style-type: none"> ■ 2 process connections ■ Screws ■ Seals
Wall mounting kit	Wall mounting kit for measuring instrument (only DN 2 to 25 (1/12 to 1"))

Communication-specific accessories



Accessories	Description
Commubox FXA195 HART	For intrinsically safe HART communication with FieldCare via the USB interface.  Technical Information TI00404F
HART loop converter HMX50	Is used to evaluate and convert dynamic HART process variables to analog current signals or limit values.  <ul style="list-style-type: none"> ▪ Technical Information TI00429F ▪ Operating Instructions BA00371F
Fieldgate FXA42	Transmission of the measured values of connected 4 to 20 mA analog measuring instruments, as well as digital measuring instruments  <ul style="list-style-type: none"> ▪ Technical Information TI01297S ▪ Operating Instructions BA01778S ▪ Product page: www.endress.com/fxa42
Field Xpert SMT50	The Field Xpert SMT50 tablet PC for device configuration enables mobile plant asset management in non-hazardous areas. It is suitable for commissioning and maintenance staff to manage field instruments with a digital communication interface and to record progress. This tablet PC is designed as an all-in-one solution with a preinstalled driver library and is an easy-to-use, touch-sensitive tool which can be used to manage field instruments throughout their entire life cycle.  <ul style="list-style-type: none"> ▪ Technical Information TI01555S ▪ Operating Instructions BA02053S ▪ Product page: www.endress.com/smt50
Field Xpert SMT70	The Field Xpert SMT70 tablet PC for device configuration enables mobile plant asset management in hazardous and non-hazardous areas. It is suitable for commissioning and maintenance staff to manage field instruments with a digital communication interface and to record progress. This tablet PC is designed as an all-in-one solution with a preinstalled driver library and is an easy-to-use, touch-sensitive tool which can be used to manage field instruments throughout their entire life cycle.  <ul style="list-style-type: none"> ▪ Technical Information TI01342S ▪ Operating Instructions BA01709S ▪ Product page: www.endress.com/smt70
Field Xpert SMT77	The Field Xpert SMT77 tablet PC for device configuration enables mobile plant asset management in areas categorized as Ex Zone 1.  <ul style="list-style-type: none"> ▪ Technical Information TI01418S ▪ Operating Instructions BA01923S ▪ Product page: www.endress.com/smt77

Service-specific accessories


Accessories	Description
Applicator	Software for selecting and sizing Endress+Hauser measuring instruments: <ul style="list-style-type: none"> ▪ Choice of measuring instruments for industrial requirements ▪ Calculation of all the necessary data for identifying the optimum flowmeter: e.g. nominal diameter, pressure loss, flow velocity and measurement accuracy. ▪ Graphic display of the calculation results ▪ Determining the partial order code. Administration, documentation and access to all project-related data and parameters over the entire life cycle of a project. Applicator is available: Via the Internet: https://portal.endress.com/webapp/applicator
Netilion	IIoT ecosystem: Unlock knowledge With the Netilion IIoT ecosystem, Endress+Hauser allows you to optimize your plant performance, digitize workflows, share knowledge, and enhance collaboration. Drawing on decades of experience in process automation, Endress+Hauser offers process industries an IIoT ecosystem that provides customers with data-driven insights. These insights can be used to optimize processes, leading to increased plant availability, efficiency, and reliability - ultimately resulting in a more profitable plant. www.netilion.endress.com

Accessories	Description
FieldCare	FDT-based plant asset management tool from Endress+Hauser. It can configure all intelligent field units in your system and helps you manage them. By using the status information, it is also a simple but effective way of checking their status and condition.  Operating Instructions BA00027S and BA00059S
DeviceCare	Tool to connect and configure Endress+Hauser field devices.  <ul style="list-style-type: none"> ▪ Technical Information: TI01134S ▪ Innovation brochure: IN01047S

System components

Accessories	Description
Memograph M graphic data manager	The Memograph M graphic data manager provides information on all the relevant measured variables. Measured values are recorded correctly, limit values are monitored and measuring points analyzed. The data are stored in the 256 MB internal memory and also on a SD card or USB stick.  <ul style="list-style-type: none"> ▪ Technical Information TI00133R ▪ Operating Instructions BA00247R
iTEMP	The temperature transmitters can be used in all applications and are suitable for the measurement of gases, steam and liquids. They can be used to read in the medium temperature.  "Fields of Activity" document FA00006T

Documentation

-  For an overview of the scope of the associated Technical Documentation, refer to the following:
- *Device Viewer* (www.endress.com/deviceviewer): Enter the serial number from the nameplate
 - *Endress+Hauser Operations app*: Enter serial number from nameplate or scan matrix code on nameplate.

Standard documentation

-  Supplementary information on the semi-standard options is available in the relevant Special Documentation in the TSP database.

Brief Operating Instructions

Brief Operating Instructions for the sensor

Measuring device	Documentation code
Proline Promag H	KA01289D

Brief Operating Instructions for the transmitter

Measuring instrument	Documentation code				
	HART	FOUNDATION Fieldbus	PROFIBUS PA	PROFIBUS DP	Modbus RS485
Proline 500 – digital	KA01313D	KA01292D	KA01407D	KA01388D	KA01317D
Proline 500	KA01312D	KA01293D	KA01406D	KA01387D	KA01316D

Brief Operating Instructions for the transmitter

Measuring instrument	Documentation code			
	EtherNet/IP	PROFINET	PROFINET over Ethernet-APL	Modbus TCP
Proline 500 – digital	KA01343D	KA01349D	KA01519D	KA01735D
Proline 500	KA01342D	KA01348D	KA01518D	KA01734D

Operating instructions

Measuring instrument	Documentation code				
	HART	FOUNDATION fieldbus	PROFIBUS PA	PROFIBUS DP	Modbus RS485
Promag H 500	BA01398D	BA01479D	BA01404D	BA01866D	BA01401D

Measuring instrument	Documentation code			
	Ethernet/IP	PROFINET	PROFINET over Ethernet-APL	Modbus TCP
Promag H 500	BA01720D	BA01723D	BA02103D	BA02394D

Description of device parameters

Measuring instrument	Documentation code				
	HART	FOUNDATION fieldbus	PROFIBUS PA	PROFIBUS DP	Modbus RS485
Promag 500	GP01054D	GP01099D	GP01056D	GP01136D	GP01055D

Measuring instrument	Documentation code			
	Ethernet/IP	PROFINET	PROFINET over Ethernet-APL	Modbus TCP
Promag 500	GP01118D	GP01119D	GP01169D	GP01237D

Device-dependent additional documentation

Safety instructions

Safety instructions for electrical equipment for hazardous areas.

Contents	Documentation code
ATEX/IECEX Ex ia	XA01522D
ATEX/IECEX Ex ec	XA01523D
cCSAus IS	XA01524D
cCSAus Ex e ia	XA01525D
cCSAus Ex ec	XA01526D
EAC Ex Ex ia	XA01658D
EAC Ex ec	XA01659D
JPN Ex ia	XA01776D
KCs Ex ia	XA03281D
INMETRO Ex ia	XA01527D
INMETRO Ex ec	XA01528D
NEPSI Ex ia	XA01529D

Contents	Documentation code
NEPSI Ex ec	XA01530D
UKEX Ex ia	XA02560D
UKEX Ex ec	XA02561D

Functional Safety Manual

Contents	Documentation code
Promag 500	SD01741D

Special Documentation


Contents	Documentation code				
	HART	FOUNDATION fieldbus	PROFIBUS PA	PROFIBUS DP	Modbus RS485
Heartbeat Technology	SD01641D	SD01745D	SD01747D	SD02207D	SD01746D
Web server	SD01658D	SD01661D	SD01660D	SD02236D	SD01659D
OPC UA server ¹⁾	SD02044D	-	-	-	-

1) This Special Documentation is only available for device versions with a HART output.

Contents	Documentation code			
	PROFINET	EtherNet/IP	PROFINET over Ethernet-APL	Modbus TCP
Heartbeat Technology	SD01987D	SD01981D	SD02730D	SD03346D
Web server	SD01979D	SD01978D	SD02760D	-

Contents	Documentation code
Information on the Pressure Equipment Directive	SD01614D
Radio approvals for WLAN interface for A309/A310 display module	SD01793D

Installation instructions

Contents	Comment
Installation instructions for spare part sets and accessories	The corresponding documentation code is listed with the relevant accessory. →  139.

Registered trademarks

HART®

Registered trademark of the FieldComm Group, Austin, Texas USA

PROFIBUS®

Registered trademark of the PROFIBUS Nutzerorganisation e.V. (PROFIBUS User Organization), Karlsruhe, Germany

FOUNDATION™ fieldbus

Registration-pending trademark of the FieldComm Group, Austin, Texas, USA

Modbus®

Registered trademark of SCHNEIDER AUTOMATION, INC.

Ethernet/IP™

Trademark of ODVA, Inc.

Ethernet-APL™

Registered trademark of the PROFIBUS Nutzerorganisation e.V. (PROFIBUS User Organization), Karlsruhe, Germany

PROFINET®

Registered trademark of the PROFIBUS Nutzerorganisation e.V. (PROFIBUS User Organization), Karlsruhe, Germany

TRI-CLAMP®

Registered trademark of Ladish & Co., Inc., Kenosha, USA



www.addresses.endress.com
