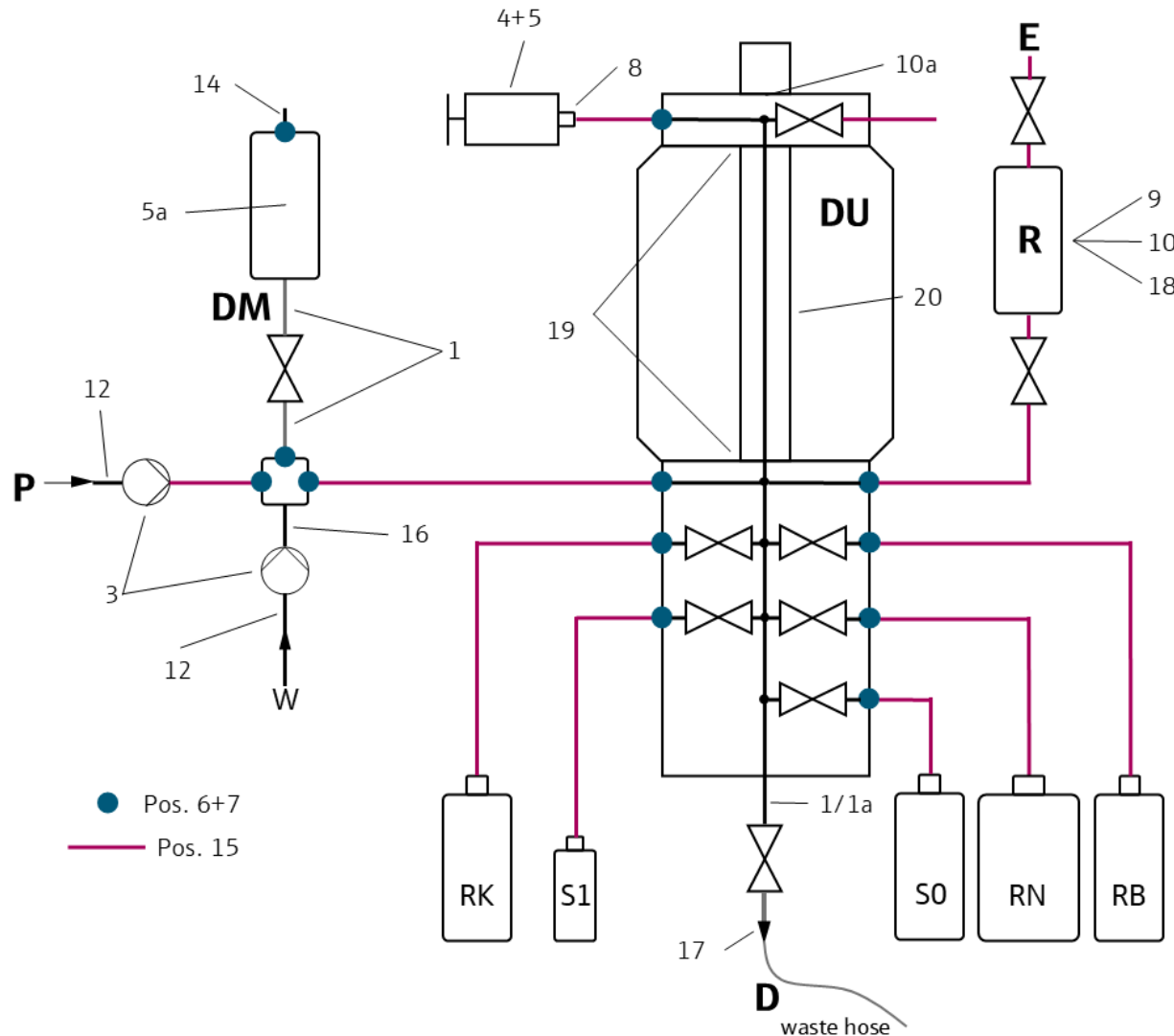


## CAV880: CA80COD Maintenance kit – Position of maintenance parts



The line-item specifications correspond with the tables of contents (see components of the several features below).

- P:** Probe
- DM:** Dilution module
- DU:** Dosing unit
- D:** Drain
- R:** Reactor
- E:** Exhaust

## CAV880-CCC11: CA80COD Maintenance kit – Low measuring range



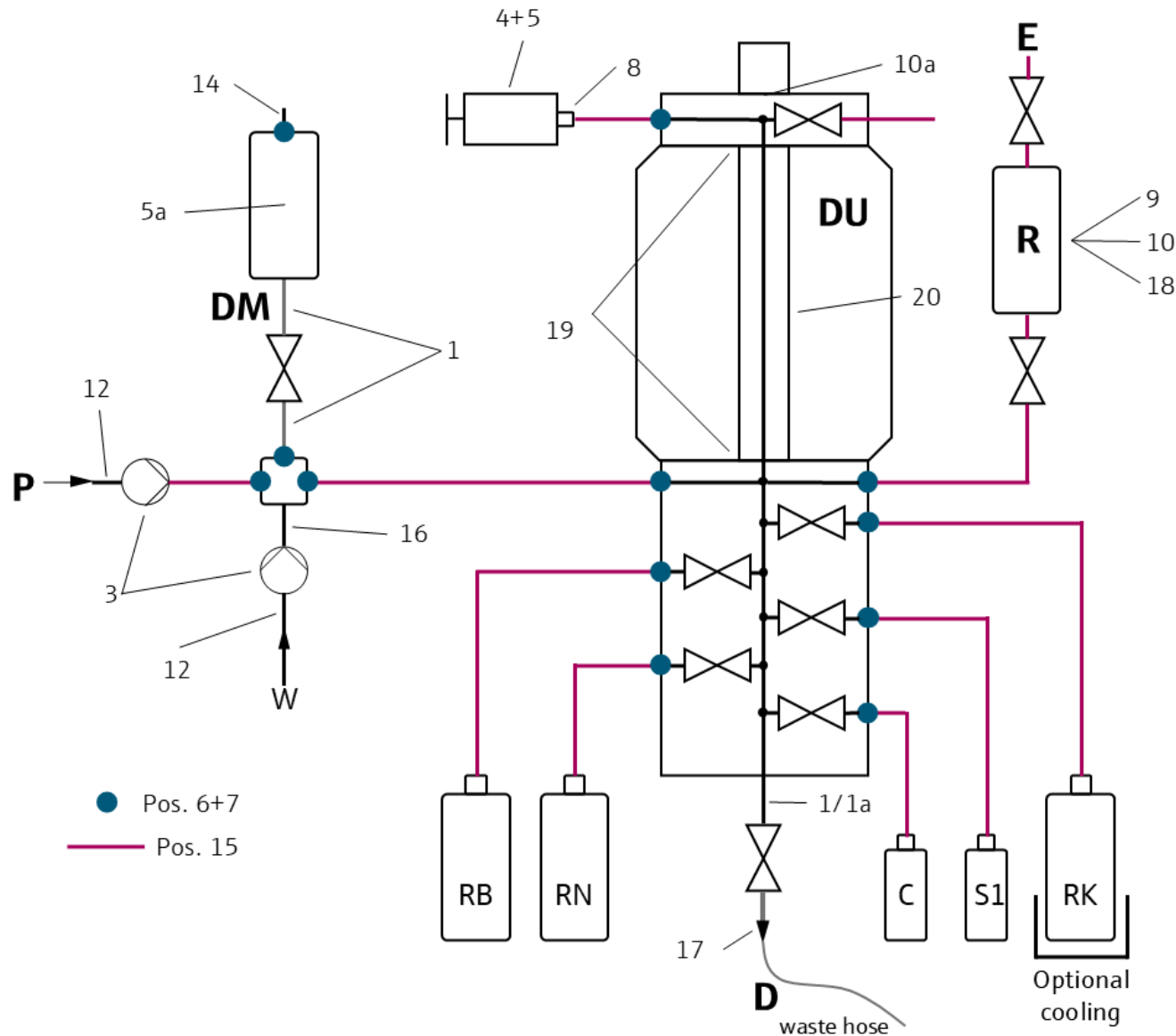
Kit Content	Pcs.	Pos.
Set drain hose PharMed ID3,2 AD6,4	1	1a
Silicon grease medium viscous 3g	1	2
Pumphead complete, w/o motor	2	3
Fitting, hose pump- OD1/8	2	3
Adapter piece 10 ml	4	4
Syringe 10ml greased	2	5
Fitting w. ferrule, 1/4-28UNF PPS/ETFE	2	6+7
Adapter Luer 1/4-28 ETFE	2	8
O-Ring ID4.42 W2.62 OD9.66 FFKM	1	9
O-Ring ID10.77 W2.62 OD16.01 FFKM	1	10
O-Ring ID6.3 W2.4 FKM ShA70	1	10a
Filter mat G2 55x95x10 mm	2	11
Tube 5.5m PTFE cleaned	1	12
Hose cutter SMC TK-3 12mm	1	13

## CAV880-CCC21: CA80COD Maintenance kit – High measuring range



Kit Content	Pcs.	Pos.
Set drain hose PharMed ID3,2 AD4,8	5	1
Set drain hose PharMed ID3,2 AD6,4	1	1a
Silicon grease medium viscous 3g	1	2
Pumphead complete, w/o motor	3	3
Fitting, hose pump- OD1/8	3	3
Adapter piece 10 ml	4	4
Syringe 10ml greased	2	5
Fitting w. ferrule, 1/4-28UNF PPS/ETFE	4	6+7
Adapter Luer 1/4-28 ETFE	2	8
O-Ring ID4.42 W2.62 OD9.66 FFKM	1	9
O-Ring ID10.77 W2.62 OD16.01 FFKM	1	10
O-Ring ID6.3 W2.4 FKM ShA70	1	10a
Filter mat G2 55x95x10 mm	2	11
Tube 5.5m PTFE cleaned	4	12
Hose cutter SMC TK-3 12mm	1	13
Plug for vessel VM	2	14

## CAV880: CA80TP Maintenance kit – Position of maintenance parts



The line-item specifications correspond with the tables of contents (see components of the several features below).

- P:** Probe
- DM:** Dilution module
- DU:** Dosing unit
- D:** Drain
- R:** Reactor
- E:** Exhaust

## CAV880-FFF11: CA80TP Maintenance kit – Low measuring range



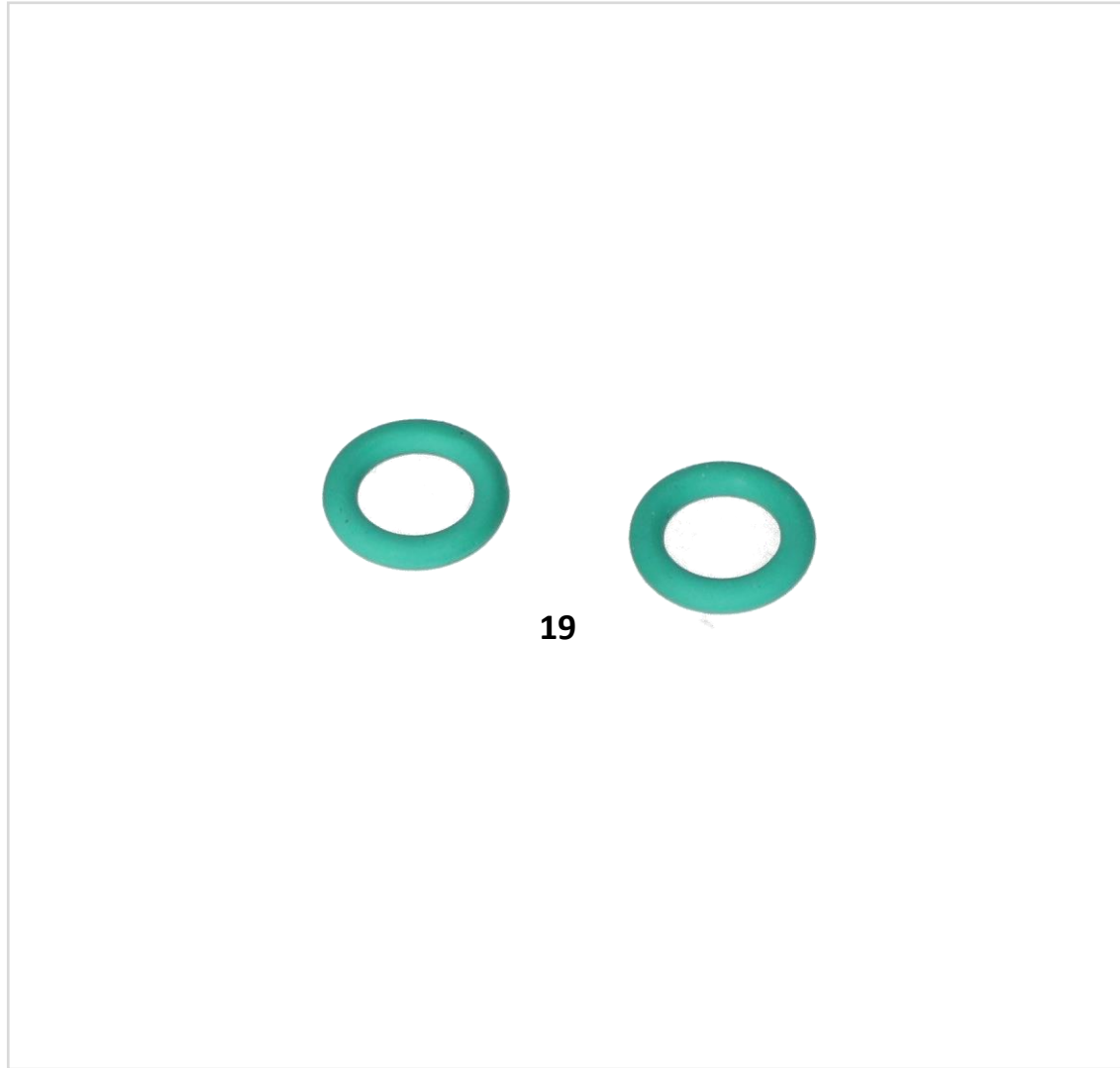
Kit Content	Pcs.	Pos.
Set drain hose PharMed ID3,2 AD4,8	4	1
Set drain hose PharMed ID3,2 AD6,4	1	1a
Silicon grease medium viscous 3g	1	2
Pumphead complete, w/o motor	2	3
Fitting, hose pump- OD1/8	2	3
Adapter piece 10 ml	4	4
Syringe 10ml greased	2	5
Fitting w. ferrule, 1/4-28UNF PPS/ETFE	2	6+7
Adapter Luer 1/4-28 ETFE	2	8
O-Ring ID4.42 W2.62 OD9.66 FFKM	1	9
O-Ring ID10.77 W2.62 OD16.01 FFKM	1	10
O-Ring ID6.3 W2.4 FKM ShA70	1	10a
Filter mat G2 55x95x10 mm	2	11
Tube 5.5m PTFE cleaned	2	12
Hose cutter SMC TK-3 12mm	1	13

# CAV880-FFF41: CA80TP Maintenance kit – High measuring range



Kit Content	Pcs.	Pos.
Set drain hose PharMed ID3,2 AD4,8	5	1
Set drain hose PharMed ID3,2 AD6,4	1	1a
Silicon grease medium viscous 3g	1	2
Pumphead complete, w/o motor	3	3
Fitting, hose pump- OD1/8	3	3
Adapter piece 10 ml	4	4
Syringe 10ml greased	2	5
Fitting w. ferrule, 1/4-28UNF PPS/ETFE	4	6+7
Adapter Luer 1/4-28 ETFE	2	8
O-Ring ID4.42 W2.62 OD9.66 FFKM	1	9
O-Ring ID10.77 W2.62 OD16.01 FFKM	1	10
O-Ring ID6.3 W2.4 FKM ShA70	1	10a
Filter mat G2 55x95x10 mm	2	11
Tube 5.5m PTFE cleaned	4	12
Hose cutter SMC TK-3 12mm	1	13
Plug for vessel VM	2	14

## CAV880-xxxxx+RA: O-rings dosing unit, set



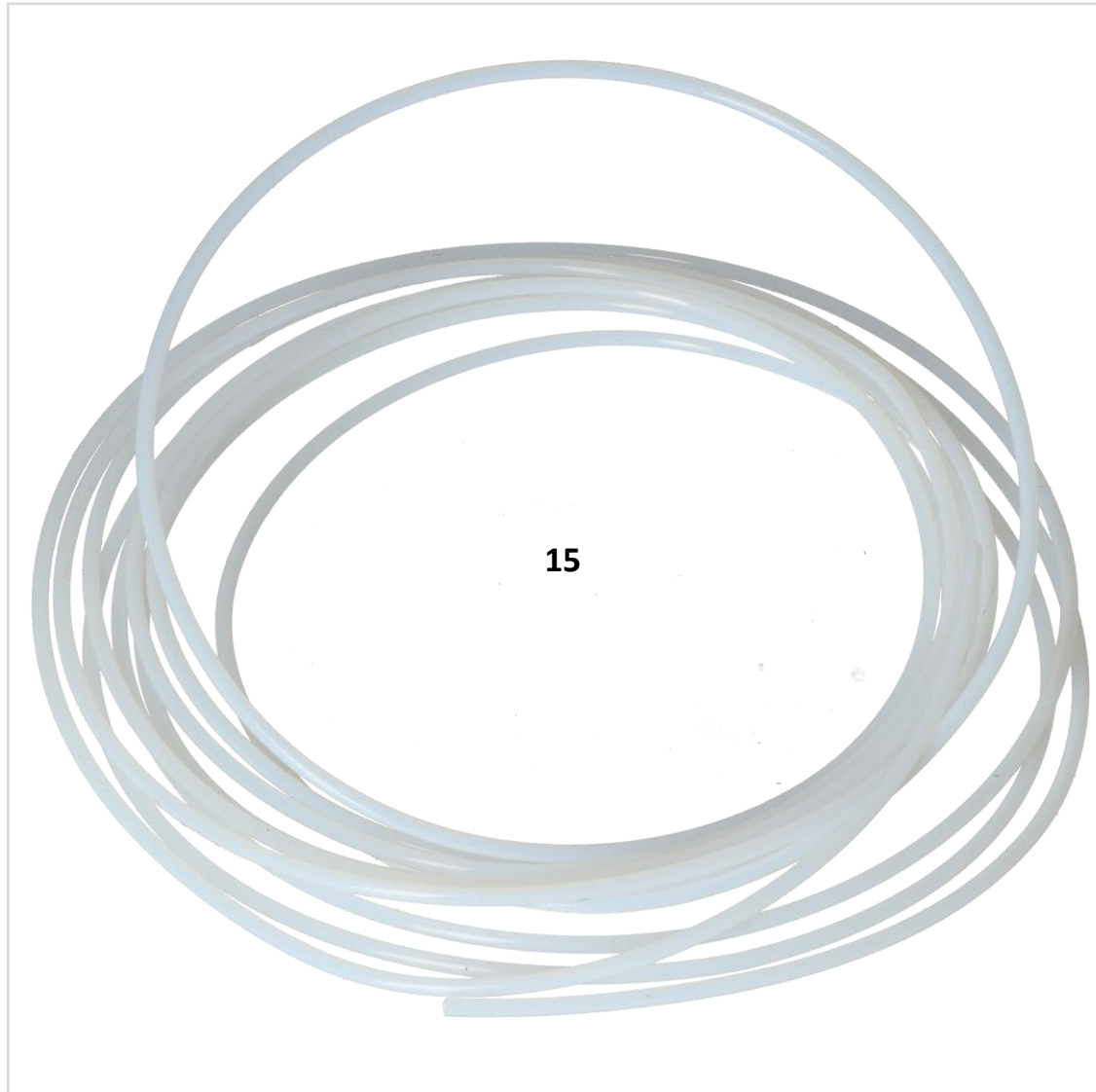
Kit Content	Pcs.	Pos.
O-ring ID 6.07 W 1.78 mm (2-010) Viton	2	19

## CAV880-xxxxx+RD: Sealing adapter cover



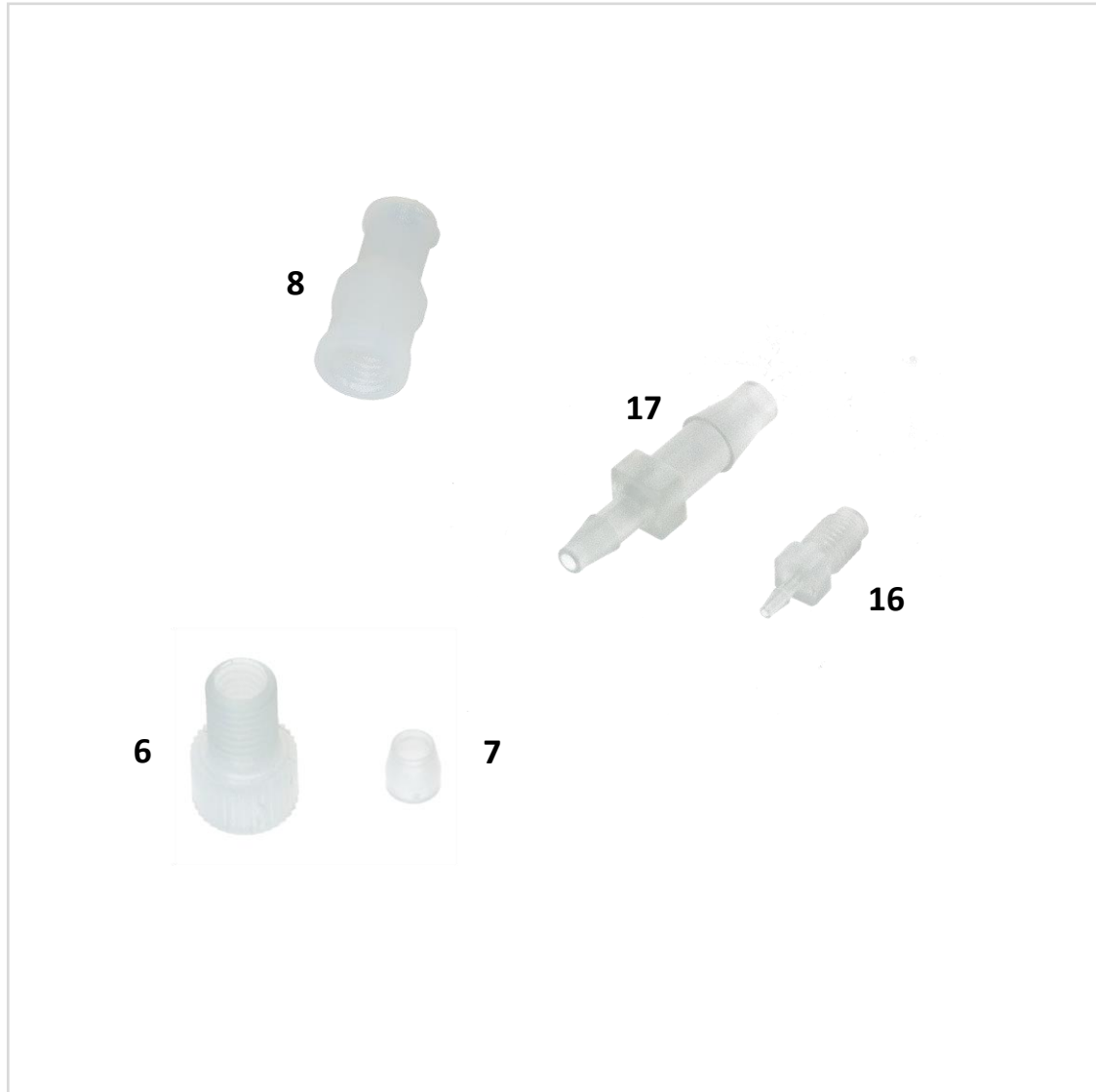
Kit Content	Pcs.	Pos.
Sealing adapter cover L153xW118xH0,5	1	-
Cleaning cloth 60x90, isopropyl alcohol	2	-

## CAV880-xxxxx+R2: Hose PTFE white (5m)



Kit Content	Pcs.	Pos.
Set drain hose PharMed ID3,2 AD4,8	5m	15

## CAV880-xxxxx+R3/R4: Hose connector, low/high measuring range



Kit Content	Pcs.	Pos.
Adapter 1/8"-28UNF ETFE	16/20	6
Cone for adapter 1/8"-28UNF	16/20	7
Adapter Luer 1/4"-28 female ETFE	1	8
Adapter w. boot 1/4"-28 D3.2 ETFE	1/2	16
Adapter rigid/flexible PVDF white	1	17

## CAV880-xxxxxx+R5/R6: Reactor cuvette with heating wire COD/TP O-rings, temperature sensor



Kit Content	Pcs.	Pos.
O-ring ID 4.42 W 2.62 mm (2-106) FFKM	1	9
O-ring ID 16.01 W 2.62 mm FFKM	1	10
Reactor cuvette 10 mm for COD or TP with heating wire and temperature sensor	1	18

## CAV880-xxxxx+R7/R8: Dosing tube COD/TP, O-rings



Kit Content	Pcs.	Pos.
O-ring ID 6.07 W 1.78 mm (2-010) Viton	2	19
Dosing tube COD/TP ID 6 / OD 9 mm	1	20
Installation aid for dosing tube	1	21
Insert for dosing unit	1	22
O-ring ID 4.00 W 1.2 mm Viton	1	23

**Items of pos. 22 and 23 are included in option R8 only!**