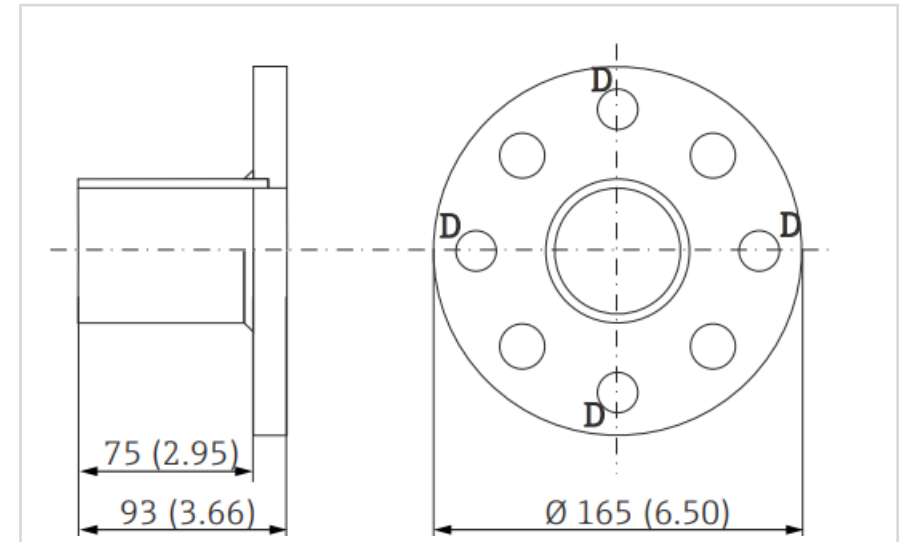
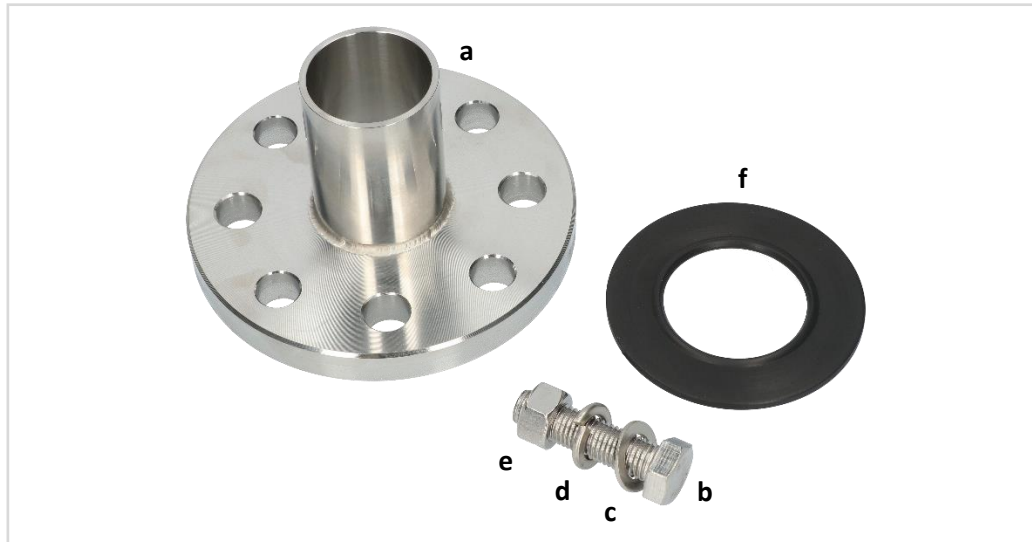


Kit 50080249: CxA451 Welded fitting DN50/ ANSI 2"



Kit Content	Pcs.	Pos.
Welded fitting for flanges DN50 and ANSI 2", 316Ti	1	a
Hexagonal screw M16 × 60 DIN 933	4	b
Washer ID16.2 DIN 433	4	c
Spring ring B16 DIN 127	4	d
Hex nut M16 DIN 934	4	e
Flat gasket AD92 ID 46.5 W2.8 FPM	1	f