

# Installation Instructions

## Replacing amplifier board

Proline 50, 51, 53, 55, 40, 80, 83, 84, 8CN, 8DF,  
90, 93, 65





---

# Replacement of amplifier board

Proline 50, 51, 53, 55, 40, 80, 83, 84, 8CN, 8DF, 90, 93, 65

## Table of contents

1	Overview of spare part sets .....	4
2	Intended use .....	6
3	Personnel authorized to carry out repairs .....	7
4	Safety instructions .....	7
5	Symbols used .....	9
6	Tools list .....	9
7	Backing up device data .....	10
8	Opening the stainless steel field housing, field housing, wall-mount housing .....	10
9	Disposal .....	12

# 1 Overview of spare part sets

The Installation Instructions apply to the following spare part sets:

Order number	Original spare part set	Contents
50106073	Set, amplifier 50, WEA	1 × amplifier board
50106074	Set, amplifier 50, EES	1 × amplifier board
50106075	Set, amplifier 50 SEA	1 × amplifier board
50106076	Set, amplifier 50, WEA, Ex	1 × amplifier board Ex
50106077	Set, amplifier 50, EES, Ex	1 × amplifier board Ex
50106078	Set, amplifier 50, ECC, WEA	1 × amplifier board
50106079	Set, amplifier 50, ECC, WEA	1 × amplifier board
50106080	Set, amplifier EES 50, ECC, EES	1 × amplifier board
50106081	Set, amplifier 50, ECC, SEA	1 × amplifier board
50106082	Set, amplifier 51, WEA	1 × amplifier board
50106083	Set, amplifier 51, EES	1 × amplifier board
50106084	Set, amplifier 51, SEA	1 × amplifier board
50106085	Set, amplifier 53, WEA	1 × amplifier board
50106086	Set, amplifier 53, EES	1 × amplifier board
50106087	Set, amplifier 53, SEA	1 × amplifier board
50106088	Set, amplifier 53, WEA, Ex	1 × amplifier board Ex
50106089	Set, amplifier 53, EES, Ex	1 × amplifier board
50106090	Set, amplifier 53, SEA, Ex	1 × amplifier board
50106091	Set, amplifier 40, WEA, Ex	1 × amplifier board Ex
50106094	Set, amplifier 80, WEA, Ex	1 × amplifier board Ex
50106095	Set, amplifier 80, EES, Ex	1 × amplifier board Ex
50106096	Set, amplifier 80, SEA, Ex	1 × amplifier board Ex
50106097	Set, amplifier 83, 8ME, WEA, Ex	1 × amplifier board Ex
50106098	Set, amplifier 83, EES, Ex	1 × amplifier board Ex
50106099	Set, amplifier 83, SEA, Ex	1 × amplifier board Ex
50106100	Set, amplifier 90, WEA	1 × amplifier board
50106101	Set, amplifier 90, EES	1 × amplifier board
50106102	Set, amplifier 90, SEA	1 × amplifier board
50108133	Set, amplifier 53, CN	1 × amplifier board
50108134	Set, amplifier 53, CN, Ex	1 × amplifier board Ex

Order number	Original spare part set	Contents
50108135	Set, amplifier 83, CN, Ex	1 × amplifier board Ex
50108694	Set, amplifier 84, CN, Ex	1 × amplifier board Ex
50108695	Set, amplifier 84, WEA, Ex	1 × amplifier board Ex
50108696	Set, amplifier 84, EES, Ex	1 × amplifier board Ex
50108697	Set, amplifier 84, SEA, Ex	1 × amplifier board Ex
71008429	Set, amplifier 65 compact version, Ex	1 × amplifier board Ex
71008430	Set, amplifier 65, remote version, Ex	1 × amplifier board Ex
71029343	Set, amplifier 55, WEA	1 × amplifier board
71029344	Set, amplifier 55, ESS	1 × amplifier board
71029345	Set, amplifier 55, SEA	1 × amplifier board
71029346	Set, amplifier Promag 55, CN	1 × amplifier board
71093780	Set, amplifier 93, 1 channel, WEA, Ex	1 × amplifier board Ex
71093781	Set, amplifier 93, 1 channel, EES, Ex	1 × amplifier board Ex
71093783	Set, amplifier 93, 1 channel, SEA, Ex	1 × amplifier board Ex
71093785	Set, amplifier 93, 1 channel, CN, Ex	1 × amplifier board Ex
71093786	Set, amplifier 93, 2 channel, WEA, Ex	1 × amplifier board Ex
71093787	Set, amplifier 93, 2 channel, EES, Ex	1 × amplifier board Ex
71093788	Set, amplifier 93, 2 channel, SEA, Ex	1 × amplifier board Ex
71093789	Set, amplifier 93, 2 channel, CN, Ex	1 × amplifier board Ex
71093790	Set, amplifier 93, 1 channel/2 channel -40 °C/-40 °F, WEA, Ex	1 × amplifier board Ex
71093791	Set, amplifier 93, 1 channel/2 channel -40 °C/-40 °F, EES, Ex	1 × amplifier board Ex
71093792	Set, amplifier 93, 1 channel/2 channel -40 °C/-40 °F, SEA, Ex	1 × amplifier board Ex
71093793	Set, amplifier 93, 1 channel/2 channel -40 °C/-40 °F, CN, Ex	1 × amplifier board Ex
71106645	Set, amplifier Cubemass DCI, WEA, Ex	1 × amplifier board Ex
71106649	Set, amplifier Cubemass DCI, EES, Ex	1 × amplifier board Ex
71106653	Set, amplifier Cubemass DCI, SEA, Ex	1 × amplifier board Ex
71106656	Set, amplifier Cubemass DCI, CN, Ex	1 × amplifier board Ex
71106660	Set, amplifier CNGmass DCI, WEA, Ex	1 × amplifier board Ex
71106662	Set, amplifier CNGmass DCI, EES, Ex	1 × amplifier board Ex
71106664	Set, amplifier CNGmass DCI, SEA, Ex	1 × amplifier board Ex

Order number	Original spare part set	Contents
71106666	Set, amplifier CNGmass DCI, CN, Ex	1 × amplifier board Ex
71261676	Set, amplifier 53, HART 7, DE + FR + IT + ES + EN, Ex	1 × amplifier board Ex
71261680	Set, amplifier 53, HART 7, DE + FR + IT + ES + EN	1 × amplifier board
71261684	Set, amplifier 53, HART 7, RU + NL + PT + CS + EN, Ex	1 × amplifier board Ex
71261686	Set, amplifier 53, HART 7, RU + NL + PT + CS + EN	1 × amplifier board
71261688	Set, amplifier 53, HART 7, ZH + PL + ID + EN, Ex	1 × amplifier board Ex
71261690	Set, amplifier 53, HART 7, ZH + PL + D + EN	1 × amplifier board
71261693	Set, amplifier 53, HART 7, JA + SV + NO + FI + EN	1 × amplifier board
71261695	Set, amplifier 83, HART 7, DE + FR + IT + ES + EN, Ex	1 × amplifier board Ex
71261697	Set, amplifier 83, HART 7, RU + NL + PT + CS + EN, Ex	1 × amplifier board Ex
71261699	Set, amplifier 83, HART 7, ZH + PL + ID + EN, Ex	1 × amplifier board Ex
71261701	Set, amplifier 83, HART 7, JA + SV + NO + FI + EN	1 × amplifier board
71704637	Set, amplifier, 55 S, non-hazardous, WEA	1 × amplifier board
71704638	Set, amplifier, 55 S, non-hazardous, ESS	1 × amplifier board
71704639	Set, amplifier, 55 S, non-hazardous, SEA	1 × amplifier board
71704640	Set, amplifier, 55 S, non-hazardous, CN	1 × amplifier board



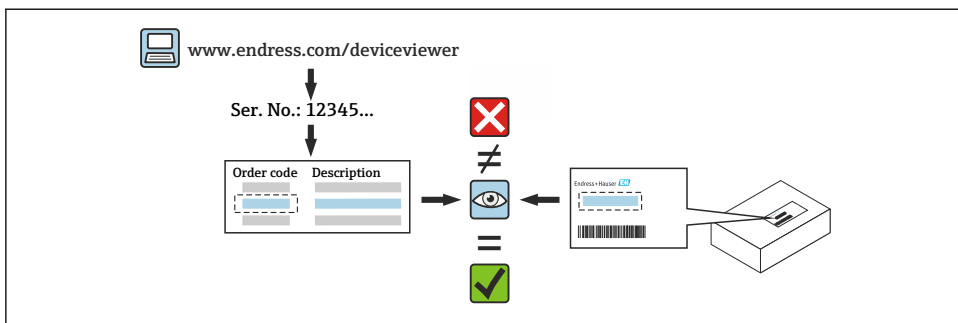
- The order number of the spare part set (on the product label on the package) can differ from the production number (on the label directly on the spare part)!
- You can find the order number of the relevant spare part set by entering the production number of the spare part in the spare part search tool.
- We recommend that you keep the Installation Instructions and packaging together at all times.

## 2 Intended use

- A defective unit can only be replaced with a functioning unit of the same type.
- Only use original parts from Endress+Hauser.
- In the *Device Viewer* ([www.endress.com/deviceviewer](http://www.endress.com/deviceviewer)), check whether the spare part is suitable for the device in question.




In some devices, an overview of spare parts is provided inside the device. If the spare part set is listed in the overview, it is not necessary to check the Device Viewer.



### 3 Personnel authorized to carry out repairs

Authorization to carry out a repair is dependent on the device's approval type. The table below shows the authorized group of people in each case.

 Whoever carries out the repairs has full responsibility to ensure that work is carried out safely and to the required quality standard. He/she must also guarantee the safety of the device following repair.

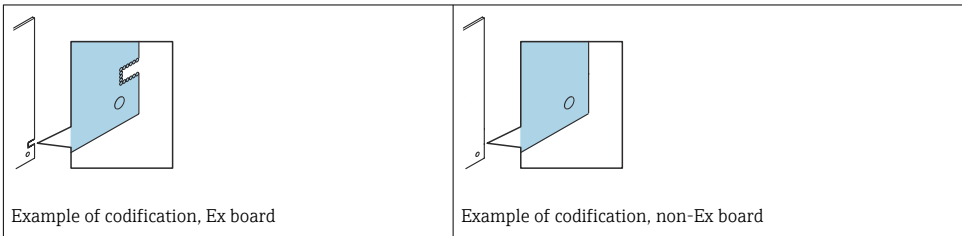
Device approval	Personnel authorized to carry out repairs <sup>1)</sup>
Without approval	1, 2, 3
With approval (e.g. IECEx)	1, 2, 3
For custody transfer	4

- 1) 1 = Qualified specialist on customer side, 2 = Service technician authorized by Endress+Hauser, 3 = Endress+Hauser (return device to manufacturer)  
4 = Check with local approval center if installation/alteration must be performed under supervision.

### 4 Safety instructions

- The Operating Instructions for the device must be followed.
- Comply with national regulations governing mounting, electrical installation, commissioning, maintenance and repair procedures.
- The following requirements must be met with regard to specialized technical staff for the mounting, electrical installation, commissioning, maintenance and repair of the devices:
  - They must be trained in instrument safety.
  - They must be familiar with the individual operating conditions of the devices.
  - In the case of Ex-certified devices, they must also be trained in explosion protection.
- Device is live! Risk of fatal injury from electric shock. Open the device only when the device is deenergized.
- For devices intended for use in hazardous areas, please observe the instructions in the Ex documentation (XA).

- In the case of devices in safety-related applications in accordance with IEC 61508 or IEC 61511: Commission in accordance with Operating Instructions after repair. Document the repair.
- Before removing the device: set the process to a safe state and purge the pipe of dangerous process substances.
- Danger of burns due to heated surfaces! Before commencing work: allow the system and device to cool down to a touchable temperature.
- In the case of devices in custody transfer, the custody transfer status no longer applies once the seal has been removed.
- Risk of damage to electronic components! Ensure that the working environment is protected against electrostatic discharge.
- After removing the electronics compartment cover: risk of electric shock due to removal of contact protection! Switch the device off before removing internal covers.
- Modifications to the device are not permitted.
- Only open the housing for a short period. Prevent the ingress of foreign bodies, moisture or contaminants.
- Printed circuit boards for devices in categories II1G, II1D, II 2G, II 2D, Zone 1 and Class I, Div. 1, Gp. A, B, C, D have a recess / printed circuit board codification. Unauthorized breaking of this codification is not permitted as explosion protection will then no longer apply.



- Replace defective seals only with original seals from Endress+Hauser.
- If threads are damaged or defective, the device must be repaired.
- Threads (z. B. of the electronics compartment cover and connection compartment cover) must be lubricated if an abrasion-proof dry lubricant is not available. Use acid-free, non-hardening lubricant.
- If spacing is reduced or the dielectric strength of the device cannot be guaranteed during repair work: Perform a test on completion of the work (e.g. high-voltage test in accordance with the manufacturer's specifications).
- Service connector:
  - Do not connect in potentially explosive atmospheres.
  - Only connect to Endress+Hauser service devices.
- Observe the instructions for transporting and returning the device outlined in the Operating Instructions.



For information on service and spare parts, contact your Endress+Hauser sales center.

## 5 Symbols used

### 5.1 Safety symbols

#### DANGER

This symbol alerts you to a dangerous situation. Failure to avoid this situation will result in serious or fatal injury.

#### WARNING

This symbol alerts you to a potentially dangerous situation. Failure to avoid this situation can result in serious or fatal injury.




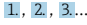
#### CAUTION

This symbol alerts you to a potentially dangerous situation. Failure to avoid this situation can result in minor or medium injury.

#### NOTICE

This symbol alerts you to a potentially harmful situation. Failure to avoid this situation can result in damage to the product or something in its vicinity.

### 5.2 Symbols for certain types of information

Symbol	Meaning
	<b>Permitted</b> Procedures, processes or actions that are permitted.
	<b>Forbidden</b> Procedures, processes or actions that are forbidden.
	<b>Tip</b> Indicates additional information.
	Series of steps


## 6 Tools list

 Allen key 3 mm	 Torx screwdriver T20	 Phillips screwdriver PH2	 Hexagon key 8 mm	Pen/ tool $\varnothing \leq 2 \text{ mm}$ (0.08 in)
--	--	--	--	---

Acid-free, non-hardening lubricant

## 7 Backing up device data

### 7.1 Promag 50, Promass 80

 Read out important device parameters from the application (e.g. using the "Commissioning" quick setup; see the Operating Instructions for the device).

### 7.2 Promag 53, 55, Promass 83, 84

 Save important transmitter parameters to the T-DAT using the "T-DAT SAVE/LOAD" parameter.

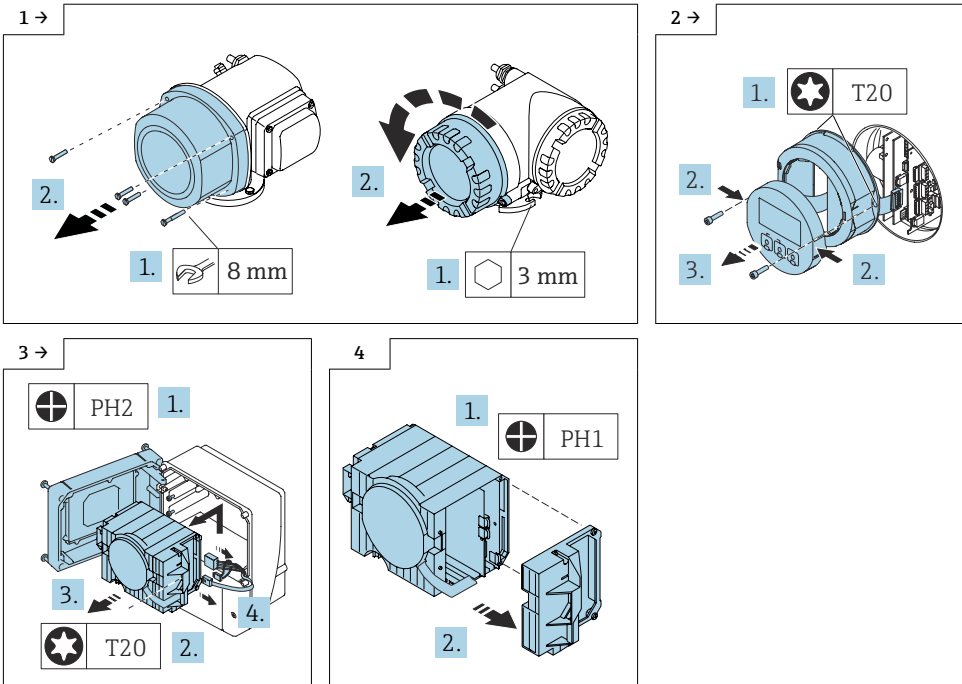
## 8 Opening the stainless steel field housing, field housing, wall-mount housing

### WARNING

**Device is live!**

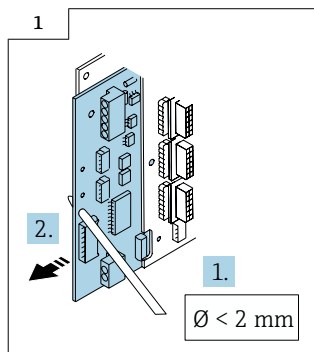
Risk of fatal injury from electric shock.

► Open the device only when the device is deenergized.



## 8.1 Removing the amplifier board

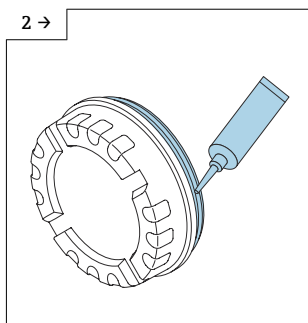
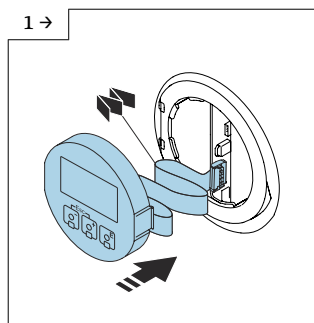
Proceed as described in Section 8 → 10 and as illustrated in the diagram below.



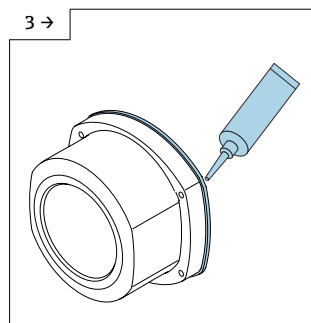
## 8.2 Reassembling the transmitter housing

Reassembly is carried out in reverse order.

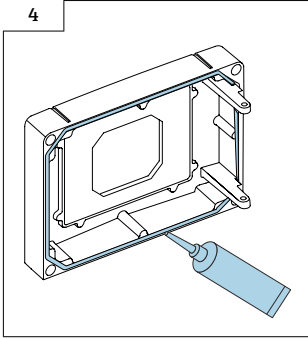
Note the following:



► Acid-free, non-hardening lubricant




► Acid-free, non-hardening lubricant



- ▶ Acid-free, non-hardening lubricant

## 9 Disposal

 If required by the Directive 2012/19/EU on waste electrical and electronic equipment (WEEE), the product is marked with the depicted symbol in order to minimize the disposal of WEEE as unsorted municipal waste. Do not dispose of products bearing this marking as unsorted municipal waste. Instead, return them to the manufacturer for disposal under the applicable conditions.

---

# Austausch Messverstärkerplatine

Proline 50, 51, 53, 55, 40, 80, 83, 84, 8CN, 8DF, 90, 93, 65

## Inhaltsverzeichnis

1	Übersicht Ersatzteilsets .....	14
2	Bestimmungsgemäße Verwendung .....	16
3	Reparaturberechtigte Personen .....	17
4	Sicherheitshinweise .....	17
5	Verwendete Symbole .....	19
6	Werkzeugliste .....	19
7	Gerätedaten sichern .....	20
8	Öffnen Edelstahlfeldgehäuse, Feldgehäuse, Wandaufbaugeschäuse .....	20
9	Entsorgung .....	22

# 1 Übersicht Ersatzteilsets

Die Einbauanleitung ist für folgende Ersatzteilsets gültig:

Bestellnummer	Original Ersatzteilset	Inhalt
50106073	Set Messverstärker 50, WEA	1 × Messverstärkerplatine
50106074	Set Messverstärker 50, EES	1 × Messverstärkerplatine
50106075	Set Messverstärker 50 SEA	1 × Messverstärkerplatine
50106076	Set Messverstärker 50, WEA, Ex	1 × Messverstärkerplatine Ex
50106077	Set Messverstärker 50, EES, Ex	1 × Messverstärkerplatine Ex
50106078	Set Messverstärker 50, ECC, WEA	1 × Messverstärkerplatine
50106079	Set Messverstärker 50, ECC, WEA	1 × Messverstärkerplatine
50106080	Set Messverstärker EES 50, ECC, EES	1 × Messverstärkerplatine
50106081	Set Messverstärker 50, ECC, SEA	1 × Messverstärkerplatine
50106082	Set Messverstärker 51, WEA	1 × Messverstärkerplatine
50106083	Set Messverstärker 51, EES	1 × Messverstärkerplatine
50106084	Set Messverstärker 51, SEA	1 × Messverstärkerplatine
50106085	Set Messverstärker 53, WEA	1 × Messverstärkerplatine
50106086	Set Messverstärker 53, EES	1 × Messverstärkerplatine
50106087	Set Messverstärker 53, SEA	1 × Messverstärkerplatine
50106088	Set Messverstärker53, WEA, Ex	1 × Messverstärkerplatine Ex
50106089	Set Messverstärker 53, EES, Ex	1 × Messverstärkerplatine
50106090	Set Messverstärker 53, SEA, Ex	1 × Messverstärkerplatine
50106091	Set Messverstärker40, WEA, Ex	1 × Messverstärkerplatine Ex
50106094	Set Messverstärker 80, WEA, Ex	1 × Messverstärkerplatine Ex
50106095	Set Messverstärker 80, EES, Ex	1 × Messverstärkerplatine Ex
50106096	Set Messverstärker 80, SEA, Ex	1 × Messverstärkerplatine Ex
50106097	Set Messverstärker 83, 8ME, WEA, Ex	1 × Messverstärkerplatine Ex
50106098	Set Messverstärker 83, EES, Ex	1 × Messverstärkerplatine Ex
50106099	Set Messverstärker 83, SEA, Ex	1 × Messverstärkerplatine Ex
50106100	Set Messverstärker 90, WEA	1 × Messverstärkerplatine
50106101	Set Messverstärker 90, EES	1 × Messverstärkerplatine
50106102	Set Messverstärker 90, SEA	1 × Messverstärkerplatine
50108133	Set Messverstärker 53, CN	1 × Messverstärkerplatine
50108134	Set Messverstärker 53, CN, Ex	1 × Messverstärkerplatine Ex

Bestellnummer	Original Ersatzteilset	Inhalt
50108135	Set Messverstärker 83, CN, Ex	1 × Messverstärkerplatine Ex
50108694	Set Messverstärker 84, CN, Ex	1 × Messverstärkerplatine Ex
50108695	Set Messverstärker 84, WEA, Ex	1 × Messverstärkerplatine Ex
50108696	Set Messverstärker 84, EES, Ex	1 × Messverstärkerplatine Ex
50108697	Set Messverstärker 84, SEA, Ex	1 × Messverstärkerplatine Ex
71008429	Set Messverstärker 65 Kompaktausführung, Ex	1 × Messverstärkerplatine Ex
71008430	Set Messverstärker 65, Getrenntausführung, Ex	1 × Messverstärkerplatine Ex
71029343	Set Messverstärker 55, WEA	1 × Messverstärkerplatine
71029344	Set Messverstärker 55, ESS	1 × Messverstärkerplatine
71029345	Set Messverstärker 55, SEA	1 × Messverstärkerplatine
71029346	Set Messverstärker Promag 55, CN	1 × Messverstärkerplatine
71093780	Set Messverstärker 93, 1 Kanal, WEA, Ex	1 × Messverstärkerplatine Ex
71093781	Set Messverstärker 93, 1 Kanal, EES, Ex	1 × Messverstärkerplatine Ex
71093783	Set Messverstärker 93, 1 Kanal, SEA, Ex	1 × Messverstärkerplatine Ex
71093785	Set Messverstärker 93, 1 Kanal, CN, Ex	1 × Messverstärkerplatine Ex
71093786	Set Messverstärker 93, 2 Kanal, WEA, Ex	1 × Messverstärkerplatine Ex
71093787	Set Messverstärker 93, 2 Kanal, EES, Ex	1 × Messverstärkerplatine Ex
71093788	Set Messverstärker 93, 2 Kanal, SEA, Ex	1 × Messverstärkerplatine Ex
71093789	Set Messverstärker 93, 2 Kanal, CN, Ex	1 × Messverstärkerplatine Ex
71093790	Set Messverstärker 93, 1 Kanal/2 Kanal -40 °C/-40 °F, WEA, Ex	1 × Messverstärkerplatine Ex
71093791	Set Messverstärker 93, 1 Kanal/2 Kanal -40 °C/-40 °F, EES, Ex	1 × Messverstärkerplatine Ex
71093792	Set Messverstärker 93, 1 Kanal/2 Kanal -40 °C/-40 °F, SEA, Ex	1 × Messverstärkerplatine Ex
71093793	Set Messverstärker 93, 1 Kanal/2 Kanal -40 °C/-40 °F, CN, Ex	1 × Messverstärkerplatine Ex
71106645	Set Messverstärker Cubemass DCI, WEA, Ex	1 × Messverstärkerplatine Ex
71106649	Set Messverstärker Cubemass DCI, EES, Ex	1 × Messverstärkerplatine Ex
71106653	Set Messverstärker Cubemass DCI, SEA, Ex	1 × Messverstärkerplatine Ex
71106656	Set Messverstärker Cubemass DCI, CN, Ex	1 × Messverstärkerplatine Ex
71106660	Set Messverstärker CNGmass DCI, WEA, Ex	1 × Messverstärkerplatine Ex
71106662	Set Messverstärker CNGmass DCI, EES, Ex	1 × Messverstärkerplatine Ex
71106664	Set Messverstärker CNGmass DCI, SEA, Ex	1 × Messverstärkerplatine Ex

Bestellnummer	Original Ersatzteilset	Inhalt
71106666	Set Messverstärker CNGmass DCI, CN, Ex	1 × Messverstärkerplatine Ex
71261676	Set Messverstärker 53, HART 7, DE + FR + IT + ES + EN, Ex	1 × Messverstärkerplatine Ex
71261680	Set Messverstärker 53, HART 7, DE + FR + IT + ES + EN	1 × Messverstärkerplatine
71261684	Set Messverstärker 53, HART 7, RU + NL + PT + CS + EN, Ex	1 × Messverstärkerplatine Ex
71261686	Set Messverstärker 53, HART 7, RU + NL + PT + CS + EN	1 × Messverstärkerplatine
71261688	Set Messverstärker 53, HART 7, ZH + PL + ID + EN, Ex	1 × Messverstärkerplatine Ex
71261690	Set Messverstärker 53, HART 7, ZH + PL + D + EN	1 × Messverstärkerplatine
71261693	Set Messverstärker 53, HART 7, JA + SV + NO + FI + EN	1 × Messverstärkerplatine
71261695	Set Messverstärker 83, HART 7, DE + FR + IT + ES + EN, Ex	1 × Messverstärkerplatine Ex
71261697	Set Messverstärker 83, HART 7, RU + NL + PT + CS + EN, Ex	1 × Messverstärkerplatine Ex
71261699	Set Messverstärker 83, HART 7, ZH + PL + ID + EN, Ex	1 × Messverstärkerplatine Ex
71261701	Set Messverstärker 83, HART 7, JA + SV + NO + FI + EN	1 × Messverstärkerplatine
71704637	Set Messverstärker, 55S, Ex-frei, WEA	1 × Messverstärkerplatine
71704638	Set Messverstärker, 55S, Ex-frei, ESS	1 × Messverstärkerplatine
71704639	Set Messverstärker, 55S, Ex-frei, SEA	1 × Messverstärkerplatine
71704640	Set Messverstärker, 55S, Ex-frei, CN	1 × Messverstärkerplatine



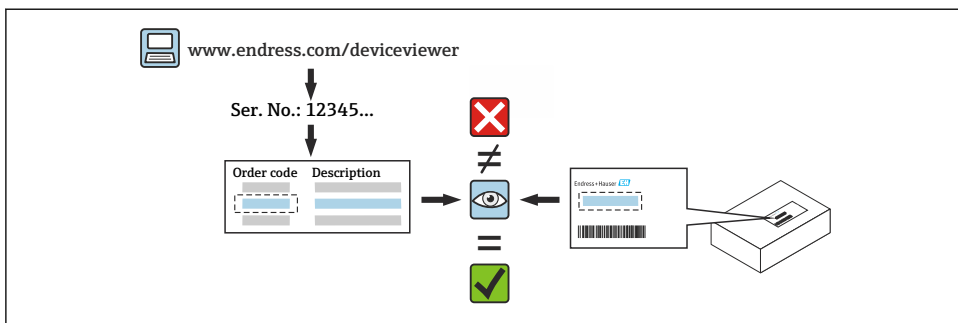
- Die Bestellnummer des Ersatzteilsets (auf dem Produktaufkleber der Verpackung) kann sich von der Produktionsnummer (auf dem Aufkleber direkt auf dem Ersatzteil) unterscheiden!
- Durch Eingabe der Produktionsnummer des Ersatzteiles im Ersatzteilfindetool kann die Bestellnummer des entsprechenden Ersatzteilsets ermittelt werden.
- Wir empfehlen Einbauanleitung und Verpackung immer zusammen aufzubewahren.

## 2 Bestimmungsgemäße Verwendung

- Eine defekte Einheit nur gegen eine funktionierende Einheit des gleichen Typs ersetzen.
- Nur Originalteile von Endress+Hauser verwenden.
- Im *Device Viewer* ([www.endress.com/deviceviewer](http://www.endress.com/deviceviewer)) prüfen, ob das Ersatzteil zum vorliegenden Gerät passt.




Bei einigen Geräten befindet sich im Inneren des Gerätes eine Ersatzteilübersicht. Ist das Ersatzteilset dort aufgelistet, entfällt die Überprüfung.



### 3 Reparaturberechtigte Personen

Die Berechtigung zur Durchführung einer Reparatur ist von der Zulassung des Geräts abhängig. Die Tabelle zeigt den jeweils berechtigten Personenkreis.

 Die Person, die eine Reparatur vornimmt, übernimmt die Verantwortung für die Sicherheit während der Arbeiten, die Qualität der Ausführung und die Sicherheit des Geräts nach der Reparatur.

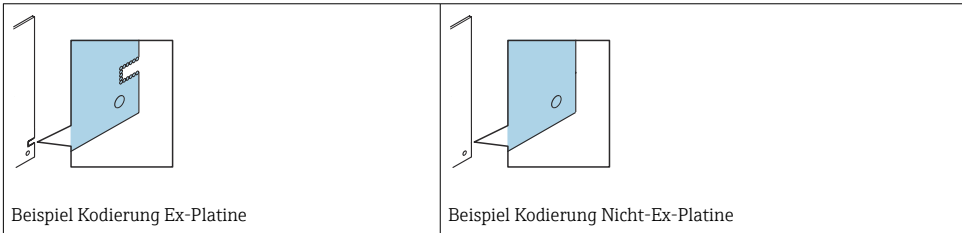
Zulassung des Geräts	Reparaturberechtigter Personenkreis <sup>1)</sup>
Ohne Zulassung	1, 2, 3
Mit Zulassung (z.B. IECEx)	1, 2, 3
Bei eichfähigem Verkehr	4

- 1) 1 = Ausgebildete Fachkraft des Kunden, 2 = Von Endress+Hauser autorisierter Servicetechniker, 3 = Endress+Hauser (Gerät an Hersteller zurücksenden)  
4 = Mit der lokalen Zulassungsstelle prüfen, ob ein Ein-/Umbau unter Aufsicht erfolgen muss.

### 4 Sicherheitshinweise

- Die Betriebsanleitung zum Gerät ist zu beachten.
- Nationale Vorschriften bezüglich der Montage, elektrischen Installation, Inbetriebnahme, Wartung und Reparatur einhalten.
- Folgende Anforderungen an das Fachpersonal für Montage, elektrische Installation, Inbetriebnahme, Wartung und Reparatur der Geräte müssen erfüllt sein:
  - In Gerätesicherheit ausgebildet.
  - Mit den jeweiligen Einsatzbedingungen der Geräte vertraut.
  - Bei Ex-zertifizierten Geräten: zusätzlich im Explosionsschutz ausgebildet.
- Gerät unter Spannung! Lebensgefahr durch Stromschlag. Gerät nur im spannungslosen Zustand öffnen.
- Bei Geräten für den explosionsgefährdeten Bereich: Hinweise in der Ex-Dokumentation (XA) beachten.

- Bei Geräten in sicherheitstechnischen Applikationen gemäß IEC 61508 bzw. IEC 61511: Nach Reparatur Neuinbetriebnahme gemäß Betriebsanleitung durchführen. Reparatur dokumentieren.
- Vor einem Geräteausbau: Prozess in sicheren Zustand bringen und Leitung von gefährlichen Prozessstoffen befreien.
- Verbrennungsgefahr durch heiße Oberflächen! Vor Arbeitsbeginn: Anlage und Gerät auf berührungssichere Temperatur abkühlen.
- Bei Geräten im abrechnungspflichtigen Verkehr: Nach Entfernen der Plombe ist der geeichte Zustand aufgehoben.
- Beschädigungsgefahr elektronischer Bauteile! Eine ESD-geschützte Arbeitsumgebung herstellen.
- Nach Entfernen der Elektronikabdeckung: Stromschlaggefahr durch aufgehobenen Berührungsschutz! Gerät ausschalten, bevor interne Abdeckungen entfernt werden.
- Änderungen am Gerät sind nicht zulässig.
- Gehäuse nur kurzzeitig öffnen. Eindringen von Fremdkörpern, Feuchtigkeit oder Verunreinigung vermeiden.
- Leiterplatten für Geräte der Kategorien II1G, II1D, II 2G, II 2D, Zone 1 und Class I, Div. 1, Gp. A, B, C, D besitzen eine Aussparung / Leiterplattenkodierung. Das eigenmächtige Herausbrechen der Kodierung ist nicht zulässig, weil dadurch der Explosionsschutz aufgehoben wird.



- Defekte Dichtungen nur durch Original-Dichtungen von Endress+Hauser ersetzen.
- Defekte Gewinde erfordern eine Instandsetzung des Geräts.
- Gewinde (z. B. von Elektronikraum- und Anschlussraumdeckel) müssen geschmiert sein, sofern keine abriebfeste Trockenschmierung vorhanden ist. Säurefreies, nicht härtendes Fett verwenden.
- Wenn bei den Reparaturarbeiten Abstände reduziert oder die Spannungsfestigkeit des Geräts nicht sichergestellt werden kann: Prüfung nach Abschluss der Arbeiten durchführen (z. B. Hochspannungstest gemäß Herstellerangaben).
- Servicestecker:
  - Nicht in explosionsfähiger Atmosphäre anschließen.
  - Nur an Servicegeräte von Endress+Hauser anschließen.
- Die in der Betriebsanleitung aufgeführten Hinweise zum Transport und zur Rücksendung beachten.



Bei Fragen über Service und Ersatzteile, Endress+Hauser Vertriebsstelle kontaktieren.

## 5 Verwendete Symbole

### 5.1 Warnhinweissymbole



Bezeichnet eine unmittelbar drohende Gefahr. Wenn sie nicht gemieden wird, sind Tod oder schwerste Verletzungen die Folge.



Bezeichnet eine möglicherweise drohende Gefahr. Wenn sie nicht gemieden wird, können Tod oder schwerste Verletzungen die Folge sein.



Bezeichnet eine möglicherweise drohende Gefahr. Wenn sie nicht gemieden wird, können leichte oder geringfügige Verletzungen die Folge sein.



Bezeichnet eine möglicherweise schädliche Situation. Wenn sie nicht gemieden wird, kann das Produkt oder etwas in seiner Umgebung beschädigt werden.

### 5.2 Symbole für Informationstypen

Symbol	Bedeutung
	<b>Erlaubt</b> Abläufe, Prozesse oder Handlungen, die erlaubt sind.
	<b>Verboten</b> Abläufe, Prozesse oder Handlungen, die verboten sind.
	<b>Tipp</b> Kennzeichnet zusätzliche Informationen.
	Handlungsschritte

## 6 Werkzeugliste

				Stift / Werkzeug Ø ≤ 2 mm (0,08 in)
Innensechskant- schlüssel 3 mm	Torx Schraubenzieher T20	Kreuz Schraubenzieher PH2	Sechskantschlüssel 8 mm	

säurefreies, nicht härtendes Fett
--------------------------------------

## 7 Gerätedaten sichern

### 7.1 Promag 50, Promass 80

**i** Aus der Applikation wichtige Parameter des Gerätes auslesen (z.B. anhand des Quick Setup "Inbetriebnahme", siehe Betriebsanleitung zum Gerät).

### 7.2 Promag 53, 55, Promass 83, 84

**i** Wichtige Parameter des Messumformers auf den T-DAT sichern mit Hilfe des Parameters "T-DAT VERWALTEN".

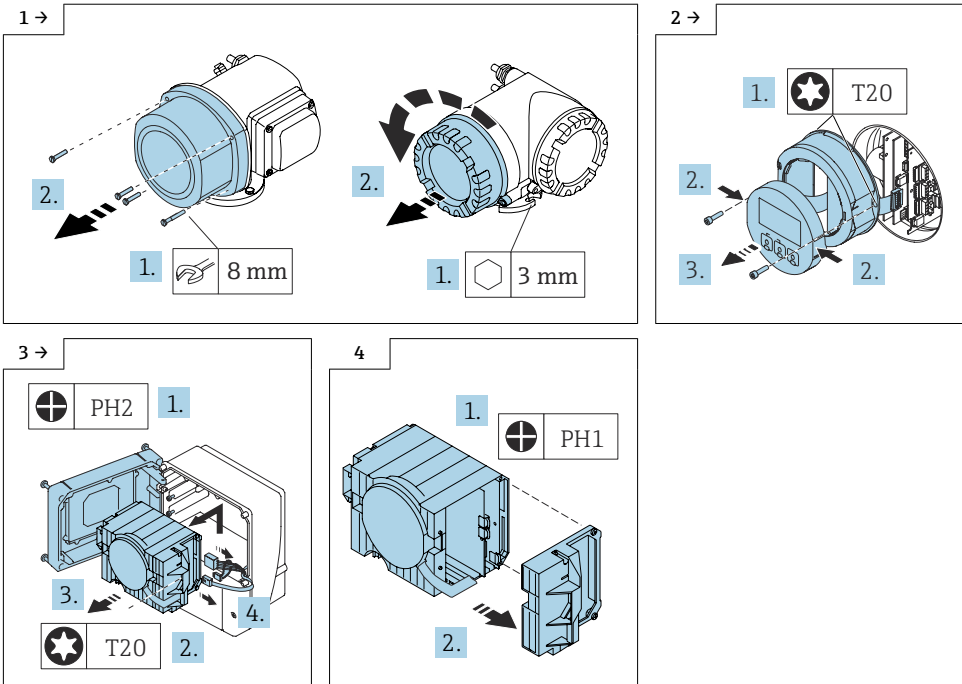
## 8 Öffnen Edelstahlfeldgehäuse, Feldgehäuse, Wandaufbaugehäuse

### ⚠ WARNUNG

**Gerät unter Spannung!**

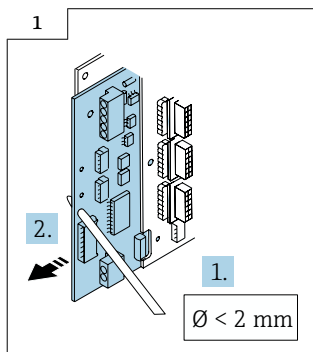
Lebensgefahr durch Stromschlag.

► Gerät nur im spannungslosen Zustand öffnen.



## 8.1 Ausbau der Messverstärkerplatine

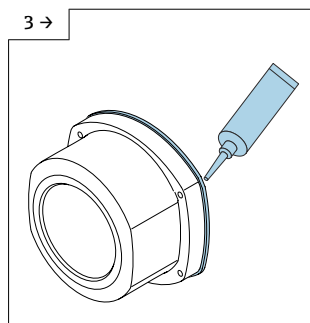
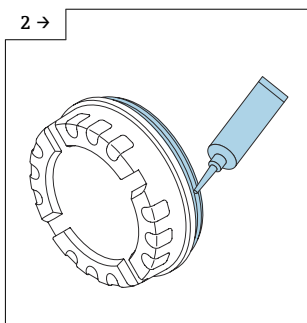
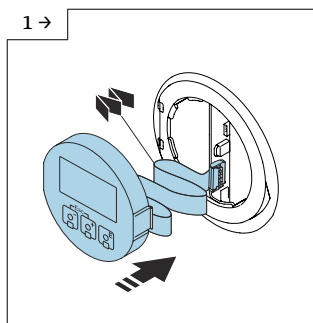
Vorgehen wie in Kap. 8 →  20 und wie im Bild unten.



## 8.2 Zusammenbau Messumformergehäuse

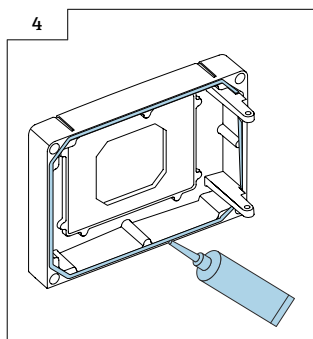
Der Zusammenbau erfolgt in umgekehrter Reihenfolge.

Folgendes ist zu beachten:




► Säurefreies, nicht härtendes Fett

► Säurefreies, nicht härtendes Fett



► Säurefreies, nicht härtendes Fett

## 9 Entsorgung

 Gemäß der Richtlinie 2012/19/EU über Elektro- und Elektronik-Altgeräte (WEEE) ist das Produkt mit dem abgebildeten Symbol gekennzeichnet, um die Entsorgung von WEEE als unsortierten Hausmüll zu minimieren. Gekennzeichnete Produkte nicht als unsortierten Hausmüll entsorgen, sondern zu den gültigen Bedingungen an den Hersteller zurückgeben.





71753524

[www.addresses.endress.com](http://www.addresses.endress.com)

---