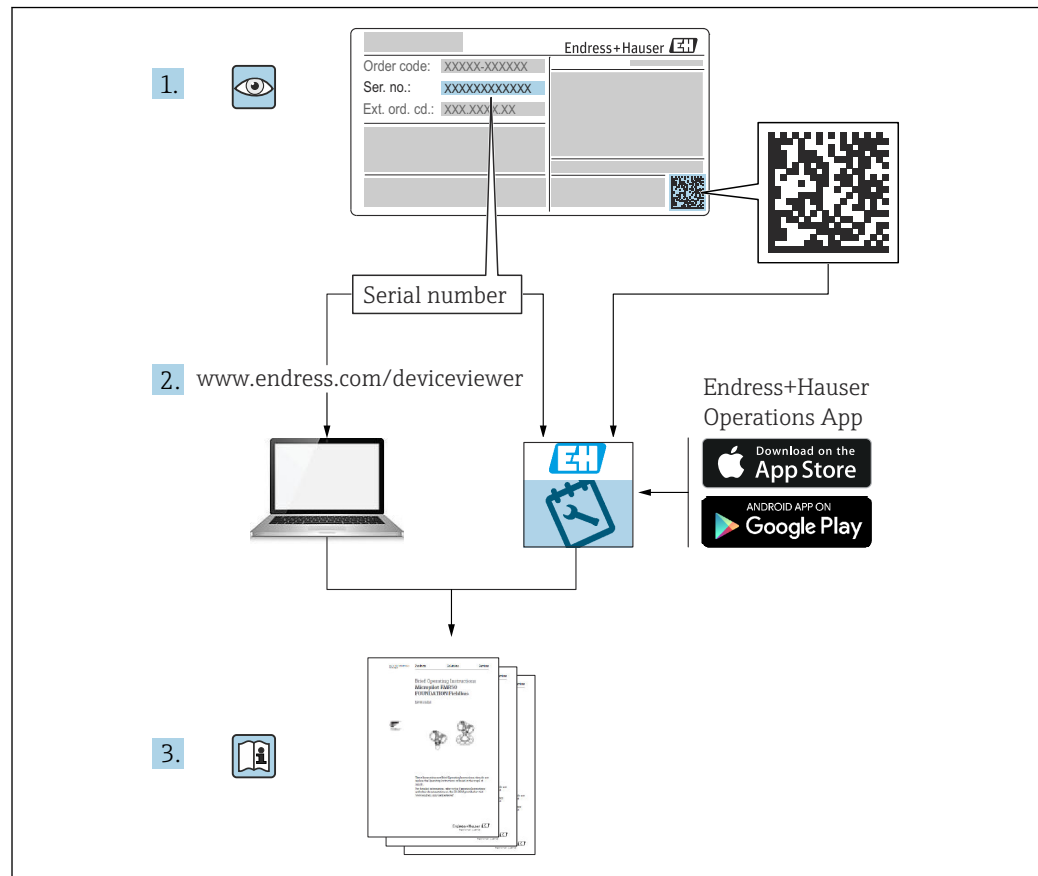


# Operating Instructions

## Liquiphant FTL51B

Vibronic  
Level switch for liquids





A0023555

- Make sure the document is stored in a safe place such that it is always available when working on or with the device
- Avoid danger to individuals or the facility: read the "Basic safety instructions" section carefully, as well as all other safety instructions in the document that are specific to working procedures

The manufacturer reserves the right to modify technical data without prior notice. The Endress+Hauser sales organization will supply you with current information and updates to these instructions.

## Table of contents

<b>1</b>	<b>About this document</b> . . . . .	<b>5</b>	<b>6</b>	<b>Electrical connection</b> . . . . .	<b>18</b>
1.1	Document function . . . . .	5	6.1	Required tool . . . . .	18
1.2	Symbols . . . . .	5	6.2	Connecting requirements . . . . .	18
1.2.1	Safety symbols . . . . .	5	6.2.1	Cover with securing screw . . . . .	18
1.2.2	Electrical symbols . . . . .	5	6.2.2	Connecting protective earth (PE) . . . . .	18
1.2.3	Tool symbols . . . . .	5	6.3	Connecting the device . . . . .	19
1.2.4	Communication-specific symbols . . . . .	5	6.3.1	2-wire AC (electronic insert FEL61) . . . . .	19
1.2.5	Symbols for certain types of Information . . . . .	5	6.3.2	3-wire DC PNP (electronic insert FEL62) . . . . .	21
1.2.6	Symbols in graphics . . . . .	6	6.3.3	Universal current connection with relay output (electronic insert FEL64) . . . . .	24
1.2.7	Registered trademarks . . . . .	6	6.3.4	Relay output DC connection (electronic insert FEL64 DC) . . . . .	26
1.3	Documentation . . . . .	6	6.3.5	PFM output (electronic insert FEL67) . . . . .	28
1.4	Change history . . . . .	6	6.3.6	2-wire NAMUR > 2.2 mA/< 1.0 mA (electronic insert FEL68) . . . . .	30
<b>2</b>	<b>Basic safety instructions</b> . . . . .	<b>6</b>	6.3.7	LED module VU120 (optional) . . . . .	32
2.1	Requirements for the personnel . . . . .	6	6.3.8	Bluetooth® module VU121 (optional) . . . . .	34
2.2	Intended use . . . . .	7	6.3.9	Connecting the cables . . . . .	35
2.3	Workplace safety . . . . .	7	6.4	Post-connection check . . . . .	36
2.4	Operational safety . . . . .	7	<b>7</b>	<b>Operation options</b> . . . . .	<b>37</b>
2.5	Product safety . . . . .	8	7.1	Overview of operation options . . . . .	37
2.6	Functional Safety SIL (optional) . . . . .	8	7.1.1	Operation concept . . . . .	37
2.7	IT security . . . . .	8	7.1.2	Elements on the electronic insert . . . . .	37
<b>3</b>	<b>Product description</b> . . . . .	<b>8</b>	7.1.3	Heartbeat diagnostics and verification with Bluetooth® wireless technology . . . . .	37
3.1	Product design . . . . .	9	7.1.4	LED module VU120 (optional) . . . . .	38
<b>4</b>	<b>Incoming acceptance and product identification</b> . . . . .	<b>9</b>	<b>8</b>	<b>Commissioning</b> . . . . .	<b>38</b>
4.1	Incoming acceptance . . . . .	9	8.1	Post-installation and function check . . . . .	38
4.2	Product identification . . . . .	10	8.2	Functional test using button on electronic insert . . . . .	38
4.2.1	Nameplate . . . . .	10	8.2.1	FEL61 switching behavior and signaling . . . . .	39
4.2.2	Electronic insert . . . . .	10	8.2.2	FEL62 switching behavior and signaling . . . . .	40
4.2.3	Manufacturer address . . . . .	10	8.2.3	FEL64, FEL64DC switching behavior and signaling . . . . .	40
4.3	Storage and transport . . . . .	10	8.2.4	FEL67 switching behavior and signaling . . . . .	40
4.3.1	Storage conditions . . . . .	10	8.2.5	FEL68 switching behavior and signaling . . . . .	42
4.3.2	Transporting the device . . . . .	10	8.3	Functional test of the electronic switch with a test magnet . . . . .	42
<b>5</b>	<b>Installation</b> . . . . .	<b>11</b>	8.4	Switching on the device . . . . .	42
5.1	Installation requirements . . . . .	11	8.5	Establishing a connection via SmartBlue app . . . . .	43
5.1.1	Take switch point into consideration . . . . .	11	8.5.1	Requirements . . . . .	43
5.1.2	Take viscosity into consideration . . . . .	12	8.5.2	Preliminaries . . . . .	43
5.1.3	Avoid buildup . . . . .	13			
5.1.4	Take clearance into consideration . . . . .	13			
5.1.5	Support the device . . . . .	14			
5.1.6	Weld-in adapter with leakage hole . . . . .	14			
5.2	Installing the device . . . . .	15			
5.2.1	Required tool . . . . .	15			
5.2.2	Installation procedure . . . . .	15			
5.3	Sliding sleeves . . . . .	17			
5.4	Post-mounting check . . . . .	17			

8.5.3	Establishing a connection via SmartBlue app .....	43			
<b>9</b>	<b>Operation .....</b>	<b>45</b>			
9.1	Diagnostics menu .....	45			
9.1.1	"Diagnostics" menu .....	45			
9.1.2	"Application" menu .....	45			
9.1.3	"System" menu .....	46			
9.2	Heartbeat Verification .....	47			
9.3	Proof testing for SIL/WHG devices .....	47			
<b>10</b>	<b>Diagnostics and troubleshooting ...</b>	<b>48</b>			
10.1	Diagnostic information via LED .....	48			
10.1.1	LED at electronic insert .....	48			
10.1.2	SmartBlue .....	48			
<b>11</b>	<b>Maintenance .....</b>	<b>49</b>			
11.1	Maintenance tasks .....	49			
11.1.1	Cleaning .....	49			
<b>12</b>	<b>Repair .....</b>	<b>50</b>			
12.1	General notes .....	50			
12.1.1	Repair concept .....	50			
12.1.2	Repairs to Ex-approved devices .....	50			
12.2	Spare parts .....	50			
12.3	Return .....	50			
12.4	Disposal .....	50			
12.5	Battery disposal .....	51			
<b>13</b>	<b>Accessories .....</b>	<b>51</b>			
13.1	Test magnet .....	51			
13.2	Protective cover: 316L, XW112 .....	51			
13.3	Protective cover, plastic, XW111 .....	52			
13.4	M12 socket .....	53			
13.5	Bluetooth® module VU121 (optional) .....	53			
13.6	LED module VU120 (optional) .....	53			
13.7	Sliding sleeves for unpressurized operation ..	54			
13.8	High pressure sliding sleeves .....	55			
13.9	Weld-in adapter .....	56			
<b>14</b>	<b>Technical data .....</b>	<b>57</b>			
14.1	Input .....	57			
14.1.1	Measured variable .....	57			
14.1.2	Measuring range .....	57			
14.2	Output .....	57			
14.2.1	Output and input variants .....	57			
14.2.2	Output signal .....	58			
14.2.3	Ex connection data .....	58			
14.3	Environment .....	58			
14.3.1	Ambient temperature range .....	58			
14.3.2	Storage temperature .....	59			
14.3.3	Humidity .....	59			
14.3.4	Operating altitude .....	59			
14.3.5	Climate class .....	60			
14.3.6	Degree of protection .....	60			
			14.3.7	Vibration resistance .....	60
			14.3.8	Shock resistance .....	60
			14.3.9	Mechanical load .....	60
			14.3.10	Pollution degree .....	60
			14.3.11	Electromagnetic compatibility (EMC) .....	61
		14.4	Process .....	61	
		14.4.1	Process temperature range .....	61	
		14.4.2	Thermal shock .....	61	
		14.4.3	Process pressure range .....	61	
		14.4.4	Overpressure limit .....	62	
		14.4.5	Medium density .....	62	
		14.4.6	Viscosity .....	62	
		14.4.7	Pressure tightness .....	62	
		14.4.8	Solids contents .....	63	
		14.5	Additional technical data .....	63	

# 1 About this document

## 1.1 Document function

These Operating Instructions contain all the information required in the various life cycle phases of the device: from product identification, incoming acceptance and storage, to installation, connection, operation and commissioning, through to troubleshooting, maintenance and disposal.

## 1.2 Symbols

### 1.2.1 Safety symbols

#### DANGER

This symbol alerts you to a dangerous situation. Failure to avoid this situation will result in serious or fatal injury.

#### WARNING

This symbol alerts you to a potentially dangerous situation. Failure to avoid this situation can result in serious or fatal injury.


#### CAUTION

This symbol alerts you to a potentially dangerous situation. Failure to avoid this situation can result in minor or medium injury.

#### NOTICE

This symbol alerts you to a potentially harmful situation. Failure to avoid this situation can result in damage to the product or something in its vicinity.

### 1.2.2 Electrical symbols

 Ground connection

Grounded clamp, which is grounded via a grounding system.


 Protective earth (PE)

Ground terminals, which must be grounded prior to establishing any other connections. The ground terminals are located on the inside and outside of the device.


### 1.2.3 Tool symbols

 Flat-blade screwdriver

 Allen key

 Open-ended wrench

### 1.2.4 Communication-specific symbols

 Bluetooth® wireless technology

Wireless data transmission between devices over a short distance via radio technology.




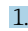
### 1.2.5 Symbols for certain types of Information

 Permitted



Procedures, processes or actions that are permitted.

 Forbidden

Procedures, processes or actions that are forbidden.

-  Tip  
Indicates additional information
-  Reference to documentation
-  Reference to another section
-  1., 2., 3. Series of steps

### 1.2.6 Symbols in graphics

- A, B, C ... View
- 1, 2, 3 ... Item numbers
-  Hazardous area
-  Safe area (non-hazardous area)

### 1.2.7 Registered trademarks

#### Bluetooth®

The *Bluetooth*® word mark and logos are registered trademarks owned by the Bluetooth SIG, Inc. and any use of such marks by Endress+Hauser is under license. Other trademarks and trade names are those of their respective owners.


#### Apple®

Apple, the Apple logo, iPhone, and iPod touch are trademarks of Apple Inc., registered in the U.S. and other countries. App Store is a service mark of Apple Inc.

#### Android®

Android, Google Play and the Google Play logo are trademarks of Google Inc.

## 1.3 Documentation

-  For an overview of the scope of the associated Technical Documentation, refer to the following:
  - *Device Viewer* ([www.endress.com/deviceviewer](http://www.endress.com/deviceviewer)): Enter the serial number from the nameplate
  - *Endress+Hauser Operations app*: Enter serial number from nameplate or scan matrix code on nameplate.

## 1.4 Change history

### V01.01.zz (01.2019)

- Valid for electronic inserts: FEL61, FEL62, FEL64, FEL67, FEL68
- Valid from documentation version: BAO1894F/00/EN/01.19
- Changes: None; first version (original software)

# 2 Basic safety instructions

## 2.1 Requirements for the personnel

The personnel for installation, commissioning, diagnostics and maintenance must fulfill the following requirements:

- ▶ Trained, qualified specialists must have a relevant qualification for this specific function and task.
- ▶ Are authorized by the plant owner/operator.
- ▶ Are familiar with federal/national regulations.

- ▶ Before starting work, read and understand the instructions in the manual and supplementary documentation as well as the certificates (depending on the application).
- ▶ Follow instructions and comply with basic conditions.


The operating personnel must fulfill the following requirements:

- ▶ Are instructed and authorized according to the requirements of the task by the facility's owner-operator.
- ▶ Follow the instructions in this manual.

## 2.2 Intended use

The device described in this manual is intended only for the level measurement of liquids.

Do not exceed or drop below the relevant limit values for the device

 See the Technical Documentation

### Incorrect use

The manufacturer is not liable for damage caused by improper or non-designated use.

Avoid mechanical damage:

- ▶ Do not touch or clean device surfaces with pointed or hard objects.

Clarification for borderline cases:

- ▶ For special media and fluids for cleaning, Endress+Hauser is glad to provide assistance in verifying the corrosion resistance of fluid-wetted materials, but does not accept any warranty or liability.

### Residual risks

Due to the transfer of heat from the process and power dissipation within the electronics, the temperature of the housing may increase to up to 80 °C (176 °F) during operation. When in operation, the sensor can reach a temperature close to the medium temperature.

Danger of burns from contact with surfaces!

- ▶ In the event of elevated fluid temperatures, ensure protection against contact to prevent burns.

## 2.3 Workplace safety

For work on and with the device:

- ▶ Wear the required personal protective equipment according to federal/national regulations.

## 2.4 Operational safety

Damage to the device!

- ▶ Operate the device only if it is in proper technical condition, free from errors and faults.
- ▶ The operator is responsible for the trouble-free operation of the device.

### Modifications to the device

Unauthorized modifications to the device are not permitted and can lead to unforeseeable dangers.

- ▶ If modifications are nevertheless required, consult Endress+Hauser.

### Repair

To ensure continued operational safety and reliability:

- ▶ Only perform repair work on the device if this is expressly permitted.
- ▶ Observe federal/national regulations pertaining to the repair of an electrical device.
- ▶ Use original spare parts and accessories from Endress+Hauser only.

**Hazardous area**

To eliminate danger to persons or the facility when the device is used in the hazardous area (e.g. explosion protection):

- ▶ Check the nameplate to verify if the device ordered can be put to its intended use in the hazardous area.
- ▶ Observe the specifications in the separate supplementary documentation included as an integral part of these instructions.

**2.5 Product safety**

This state-of-the-art device is designed and tested in accordance with good engineering practice to meet operational safety standards. It left the factory in a condition in which it is safe to operate.

It meets general safety standards and legal requirements. It also complies with the EU directives listed in the device-specific EU declaration of conformity. The manufacturer confirms this by affixing the CE mark.

**2.6 Functional Safety SIL (optional)**

The Functional Safety Manual must be strictly observed for devices that are used in functional safety applications.

**2.7 IT security**

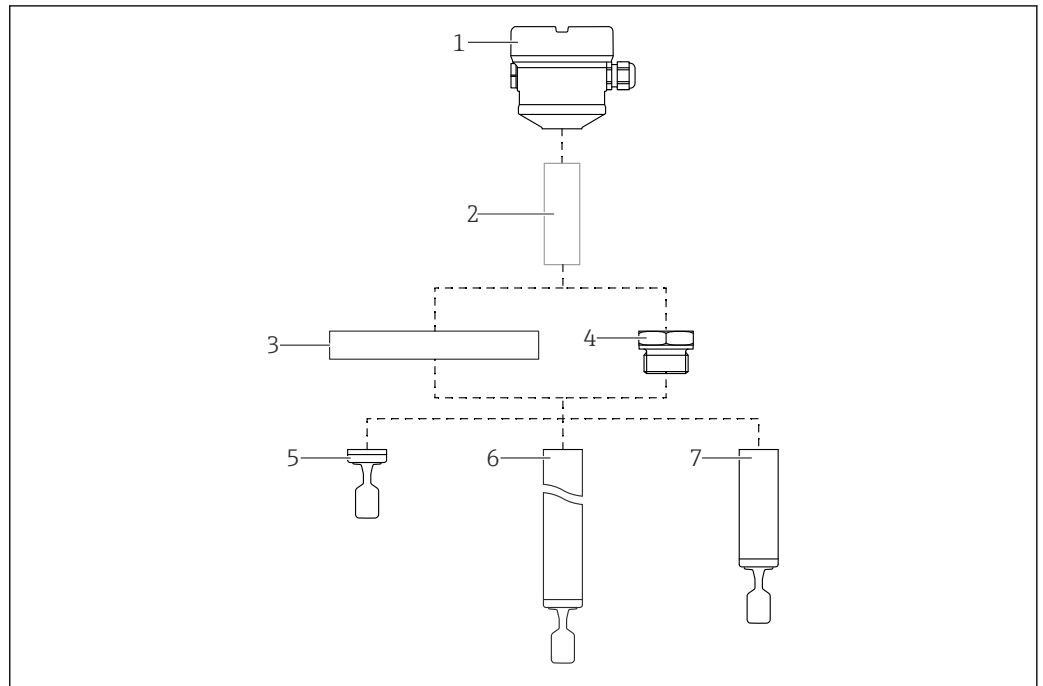
The manufacturer warranty is valid only if the product is installed and used as described in the Operating Instructions. The product is equipped with security mechanisms to protect it against any inadvertent changes to the settings.

IT security measures, which provide additional protection for the product and associated data transfer, must be implemented by the operators themselves in line with their security standards.

**3 Product description**

Level switch for all liquids, for minimum or maximum detection in tanks, vessels and pipes.

## 3.1 Product design



A0046337

### 1 Product design

- 1 Housing with electronic insert and cover; optional Bluetooth® module or LED module
- 2 Temperature spacer, pressure-tight feedthrough (second line of defense), optional
- 3 Process connection with flange (optional)
- 4 Process connection with thread (optional)
- 5 Compact probe version with vibrating fork
- 6 Pipe extension probe with vibrating fork
- 7 Short pipe probe version with vibrating fork

## 4 Incoming acceptance and product identification

### 4.1 Incoming acceptance

On receipt of the delivery:

1. Check the packaging for damage.
  - ↳ Report all damage immediately to the manufacturer.
  - Do not install damaged components.
2. Check the scope of delivery using the delivery note.
3. Compare the data on the nameplate with the order specifications on the delivery note.
4. Check the technical documentation and all other necessary documents, e.g. certificates, to ensure they are complete.

**i** If one of the conditions is not satisfied, contact the manufacturer.

## 4.2 Product identification

The following options are available for identification of the device:

- Nameplate specifications
- Order code with breakdown of the device features on the delivery note
- Enter the serial numbers from the nameplates in *Device Viewer* ([www.endress.com/deviceviewer](http://www.endress.com/deviceviewer)): all the information about the device is displayed.

### 4.2.1 Nameplate


#### Do you have the correct device?

The nameplate provides you with the following information on the device:

- Manufacturer identification, device designation
- Order code
- Extended order code
- Serial number
- Tag name (TAG) (optional)
- Technical values, e.g. supply voltage, current consumption, ambient temperature, communication-specific data (optional)
- Degree of protection
- Approvals with symbols
- Reference to Safety Instructions (XA) (optional)

► Compare the information on the nameplate with the order.

### 4.2.2 Electronic insert

 Identify the electronic insert via the order code on the nameplate.

### 4.2.3 Manufacturer address

Endress+Hauser SE+Co. KG  
Hauptstraße 1  
79689 Maulburg, Germany  
Place of manufacture: See nameplate.

## 4.3 Storage and transport

### 4.3.1 Storage conditions

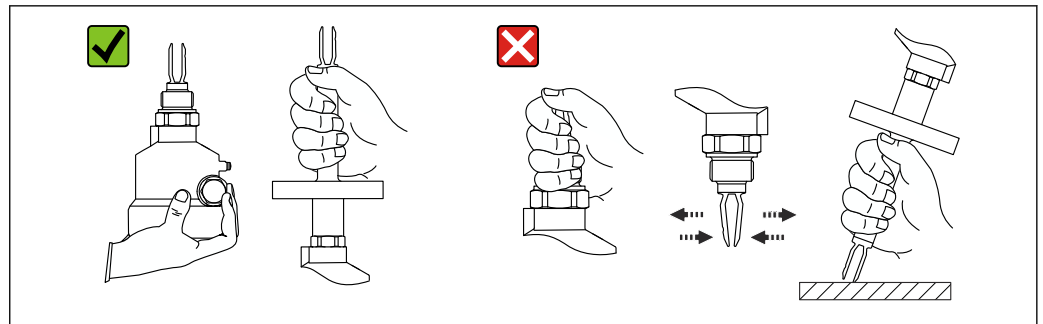
Use original packaging.

#### Storage temperature

-40 to +80 °C (-40 to +176 °F)  
Optional: -50 °C (-58 °F), -60 °C (-76 °F)

### 4.3.2 Transporting the device

- Transport the device to the measuring point in the original packaging
- Hold the device by the housing, temperature spacer, flange or extension pipe
- Do not bend, shorten or extend the tuning fork



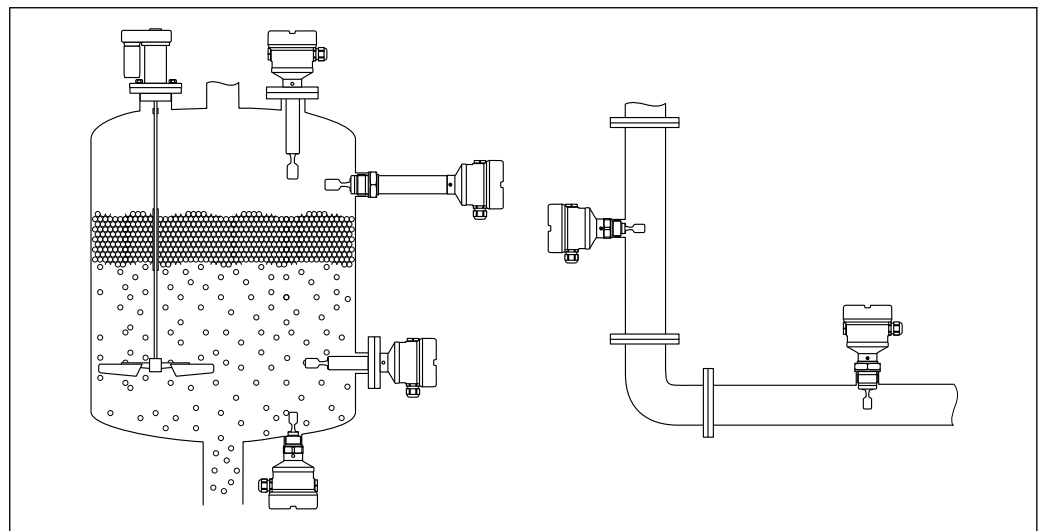
A0034846

2 Handling the device during transportation

## 5 Installation

### Mounting instructions

- Any orientation for compact version or version with a pipe length of up to 500 mm (19.7 in) approx.
- Vertical orientation from above for device with long pipe
- Minimum distance between the tuning fork and the tank wall or pipe wall: 10 mm (0.39 in)



A0037879

3 Installation examples for a vessel, tank or pipe

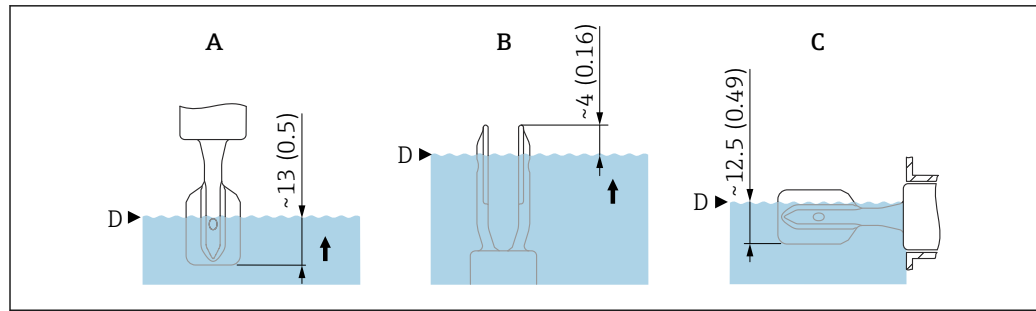
### 5.1 Installation requirements

#### 5.1.1 Take switch point into consideration

The following are typical switch points, depending on the orientation of the level switch.

Water +23 °C (+73 °F)

- i** Minimum distance between the tuning fork and the tank wall or pipe wall: 10 mm (0.39 in)



A0037915

4 Typical switch points. Unit of measurement mm (in)

- A Installation from above  
 B Installation from below  
 C Installation from the side  
 D Switch point

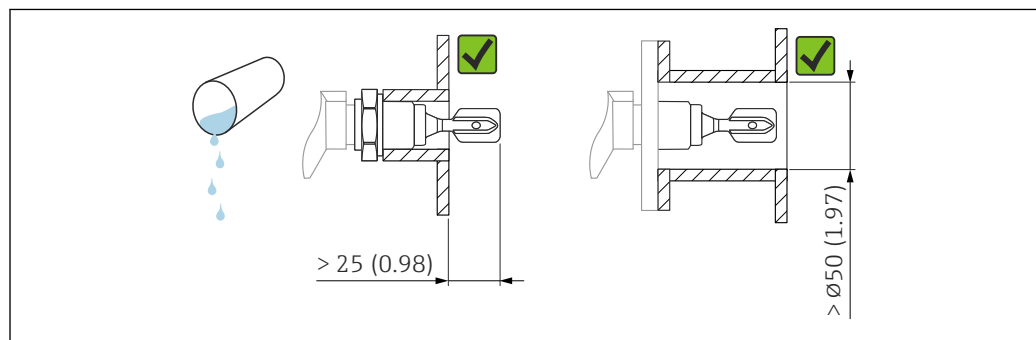
### 5.1.2 Take viscosity into consideration

- i** Viscosity values
- Low viscosity: < 2 000 mPa·s
  - High viscosity: > 2 000 to 10 000 mPa·s

#### Low viscosity

- i** Low viscosity, e.g. water: < 2 000 mPa·s

It is permitted to position the tuning fork within the installation socket.



A0033297

5 Installation example for low-viscosity liquids. Unit of measurement mm (in)

#### High viscosity

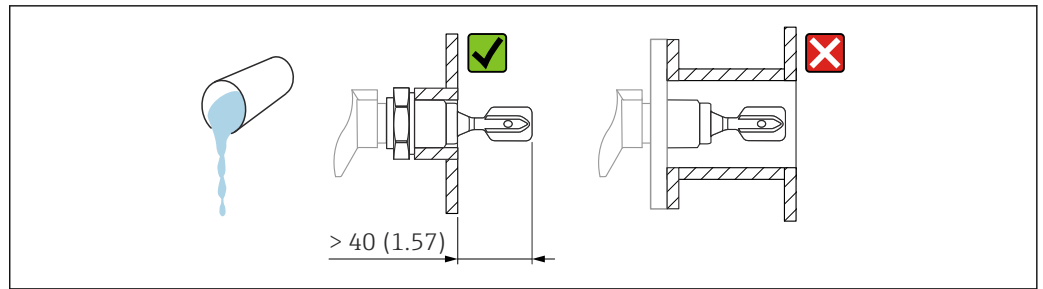
##### NOTICE

#### Highly viscous liquids may cause switching delays.

- ▶ Make sure that the liquid can run off the tuning fork easily.
- ▶ Deburr the socket surface.

- i** High viscosity, e.g. viscous oils: ≤ 10 000 mPa·s

The tuning fork must be located outside the installation socket!

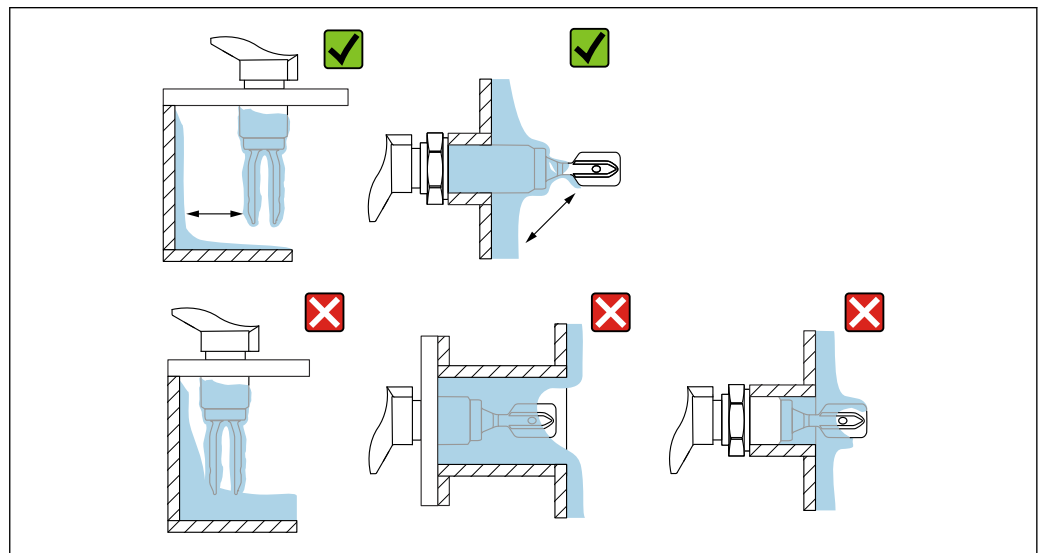


A0037348

6 Installation example for a highly viscous liquid. Unit of measurement mm (in)

### 5.1.3 Avoid buildup

- Use short installation sockets to ensure that the tuning fork projects freely into the vessel
- Leave sufficient distance between the buildup expected on the tank wall and the tuning fork

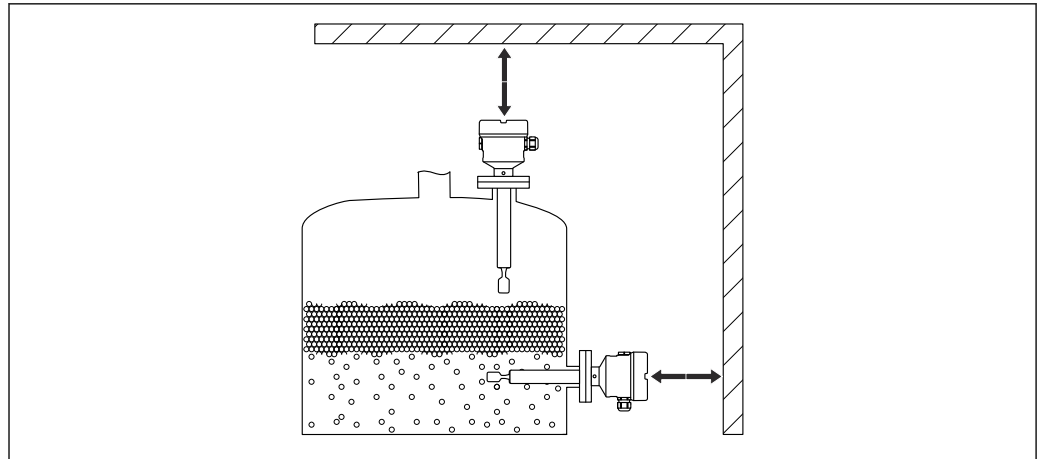


A0033239

7 Installation examples for a highly viscous process medium

### 5.1.4 Take clearance into consideration

Allow sufficient space outside the tank for mounting, connection and settings involving the electronic insert.

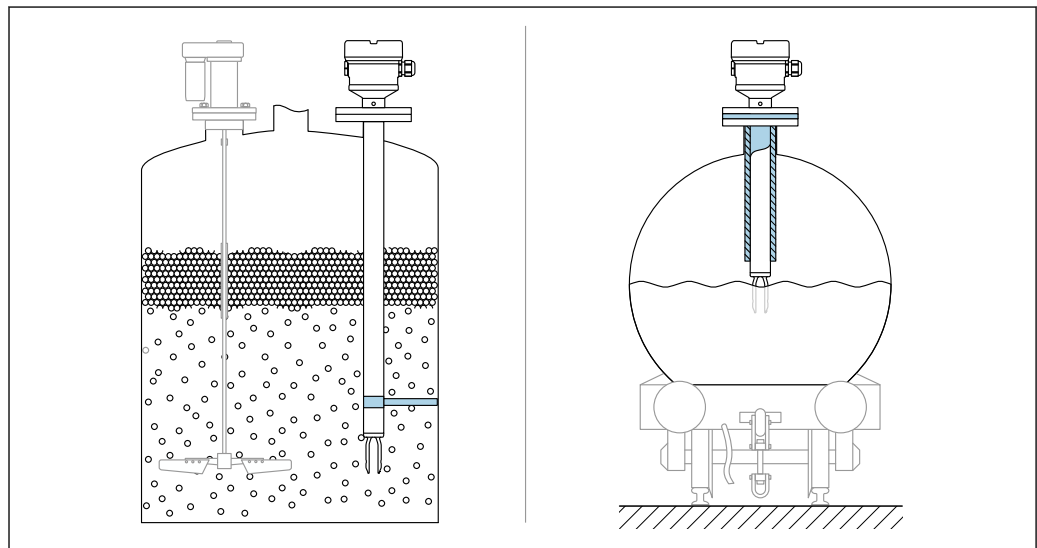


A0033236

8 Take clearance into consideration

### 5.1.5 Support the device

Support the device in the event of severe dynamic load. Maximum lateral loading capacity of the pipe extensions and sensors: 75 Nm (55 lbf ft).



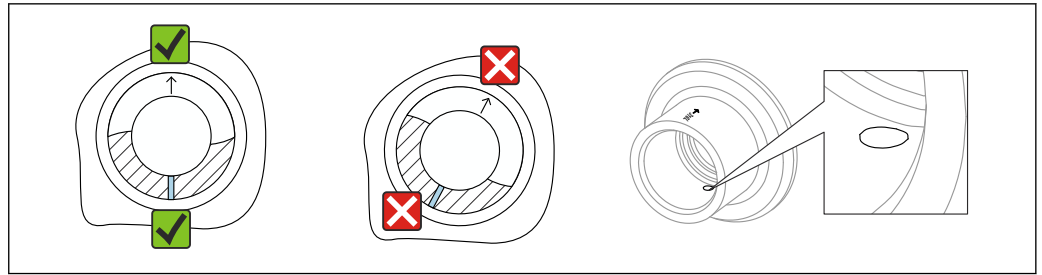
A0031874

9 Examples of support in the event of dynamic load

**i** Marine approval: In the case of pipe extensions or sensors longer than 1 600 mm (63 in), a support is needed at least every 1 600 mm (63 in).

### 5.1.6 Weld-in adapter with leakage hole

Position the weld-in adapter so that the leakage hole points downwards. This allows any leakage to be detected at an early stage, as the escaping medium becomes visible.



10 Weld-in adapter with leakage hole

## 5.2 Installing the device

### 5.2.1 Required tool

- Open-ended wrench for sensor installation
- Allen key for housing locking screw

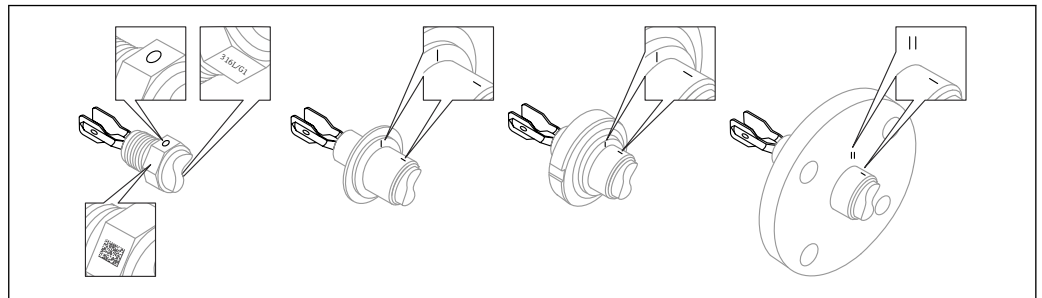
### 5.2.2 Installation procedure

#### Align the vibrating fork using the marking

The vibrating fork can be aligned using the marking in such a way that the medium drains off easily and buildup is avoided.

- Markings for threaded connections: Circle (material specification/thread designation opposite)
- Markings for flange or clamp connections: Line or double line

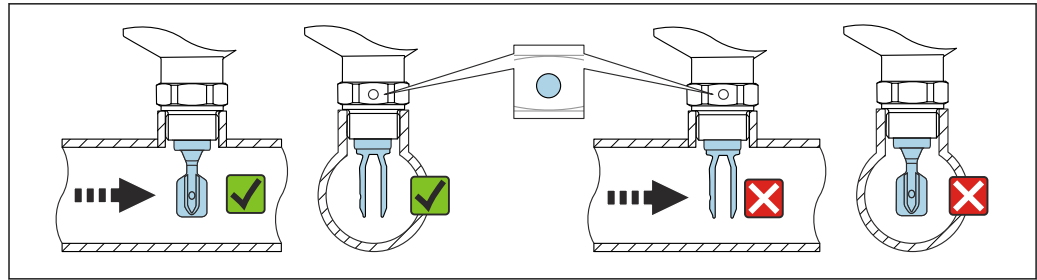
**i** In addition, the threaded connections have a matrix code that is **not** used for alignment.



11 Position of the vibrating fork when installed horizontally in the vessel using the marking

#### Installing the device in piping

- Flow velocity up to 5 m/s with a viscosity of 1 mPa·s and density of 1 g/cm<sup>3</sup> (62.4 lb/ft<sup>3</sup>) (SGU).  
Check for correct functioning in the event of other process medium conditions.
- The flow will not be significantly impeded if the tuning fork is correctly aligned and the marking is pointing in the direction of flow.
- The marking is visible when installed

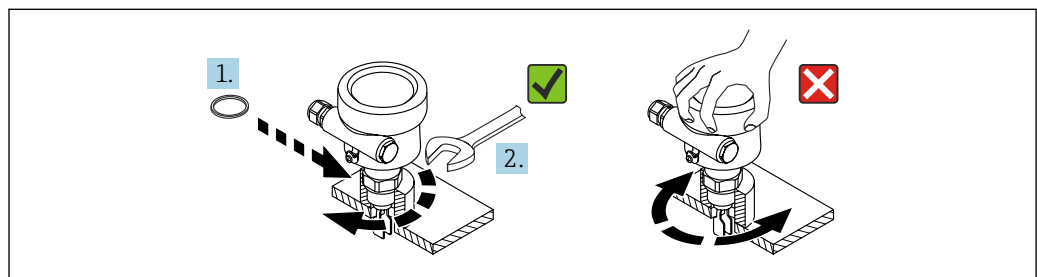


A0034851

12 Installation in pipes (take fork position and marking into consideration)

### Screwing in the device

- Turn by the hex bolt only, 15 to 30 Nm (11 to 22 lbf ft)
- Do not turn at the housing!



A0034852

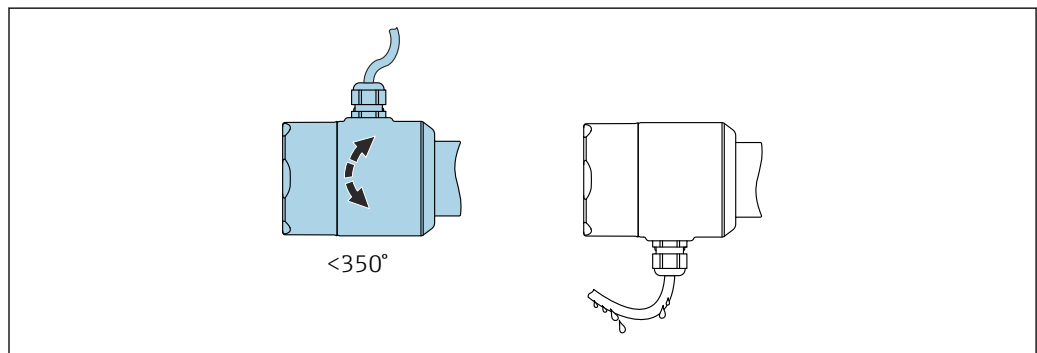
13 Screwing in the device

### Aligning the cable entry

All housings can be aligned. Forming a drip loop on the cable prevents moisture from entering the housing.

#### Housing without set screw

The device housing can be rotated up to 350°.

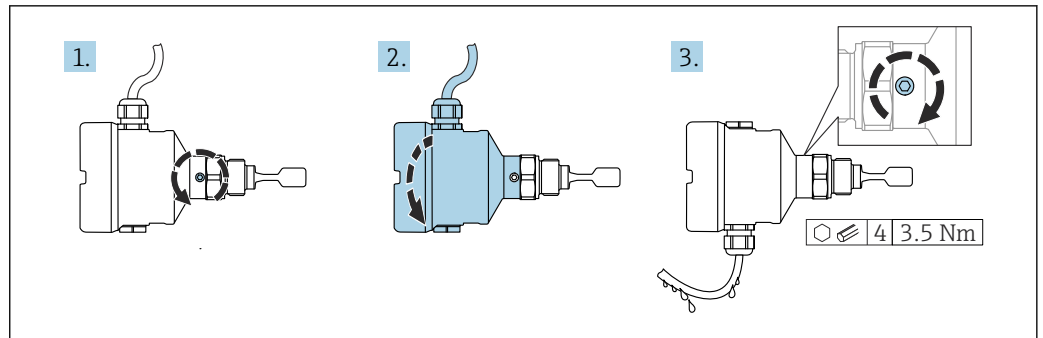


A0052359

14 Housing without set screw; form a drip loop on the cable.

#### Housing with locking screw

- i** In the case of housings with locking screw:
- The housing can be turned and the cable aligned by loosening the locking screw. A cable loop for draining prevents moisture in the housing.
  - The locking screw is not tightened when the device is delivered.



A0037347

15 Housing with external locking screw; form a drip loop on the cable

1. Loosen the external locking screw (maximum 1.5 turns).
2. Turn the housing and align the cable entry.
3. Tighten the external locking screw.

### Turning the housing

The housing can be rotated up to 380° by loosening the locking screw.

#### NOTICE

#### The housing cannot be unscrewed fully.

- ▶ Loosen the external locking screw by a maximum of 1.5 turns. If the screw is unscrewed too much or completely (beyond the screw anchor point), small parts (counter disk) can become loose and fall out.
- ▶ Tighten the securing screw (hexagon socket 4 mm (0.16 in)) with maximum 3.5 Nm (2.58 lbf ft) ± 0.3 Nm (± 0.22 lbf ft).

### Closing the housing covers

#### NOTICE

#### Thread and housing cover damaged from dirt and fouling!

- ▶ Remove dirt (e.g. sand) on the thread of the covers and housing.
- ▶ If you continue to encounter resistance when closing the cover, check the thread again for fouling.

#### **i** Housing thread

The threads of the electronics and connection compartment can be coated with an anti-friction coating.

The following applies for all housing materials:

- ✘ **Do not lubricate the housing threads.**

## 5.3 Sliding sleeves

For more details, see the "Accessories" section.

Special Documentation SD02398F (Installation Instructions)

## 5.4 Post-mounting check

- Is the device undamaged (visual inspection)?
- Are the measuring point number and labeling correct (visual inspection)?
- Is the device adequately protected from precipitation and direct sunlight?
- Is the device properly secured?

- Does the device comply with the measuring point specifications?

For example:

- Process temperature
- Process pressure
- Ambient temperature
- Measuring range

## 6 Electrical connection

### 6.1 Required tool

- Screwdriver for electrical connection
- Allen key for screw of cover lock

### 6.2 Connecting requirements

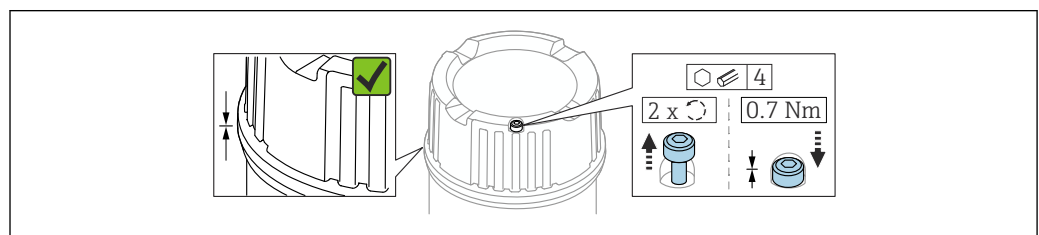
#### 6.2.1 Cover with securing screw

The cover is locked by a securing screw in devices for use in hazardous areas with certain explosion protection.

#### NOTICE

**If the securing screw is not positioned correctly, the cover cannot provide secure sealing.**

- ▶ Open the cover: slacken the screw of the cover lock with a maximum of 2 turns so that the screw does not fall out. Fit the cover and check the cover seal.
- ▶ Close the cover: screw the cover securely onto the housing, making sure that the securing screw is positioned correctly. There should not be any gap between the cover and housing.



16 Cover with securing screw

#### 6.2.2 Connecting protective earth (PE)

The protective earth conductor at the device must only be connected if the device's operating voltage is  $\geq 35 V_{DC}$  or  $\geq 16 V_{ACeff}$ .

When the device is used in hazardous areas, it must always be included in the potential equalization of the system, irrespective of the operating voltage.

- i** The plastic housing is available with or without an external protective earth connection (PE). If the operating voltage of the electronic insert is  $< 35 V$ , the plastic housing has no external protective earth connection.

## 6.3 Connecting the device



### Housing thread

The threads of the electronics and connection compartment can be coated with an anti-friction coating.

The following applies for all housing materials:

**Do not lubricate the housing threads.**

### 6.3.1 2-wire AC (electronic insert FEL61)

- Two-wire alternating current version
- Switches the load directly in the power supply circuit via an electronic switch; always connect in series with a load
- Functional testing without level change  
A functional test can be performed on the device using the test button on the electronic insert.

#### Supply voltage

$U = 19 \text{ to } 253 \text{ V}_{AC}, 50 \text{ Hz}/60 \text{ Hz}$

Residual voltage when switched through: typically 12 V



Observe the following as per IEC/EN61010-1: Provide a suitable circuit breaker for the device, and limit the current to 1 A, e.g. by installing a 1 A fuse (slow-blow) in the phase (not the neutral conductor) of the supply circuit.

#### Power consumption

$S \leq 2 \text{ VA}$

#### Current consumption

Residual current when blocked:  $I \leq 3.8 \text{ mA}$

The red LED flashes in the event of an overload or short-circuit. Check for an overload or short-circuit every 5 s. The test is deactivated after 60 s.

#### Load

- Load with a minimum holding power/rated power of 2.5 VA at 253 V (10 mA) or 0.5 VA at 24 V (20 mA)
- Load with a maximum holding power/rated power of 89 VA at 253 V (350 mA) or 8.4 VA at 24 V (350 mA)
- With overload and short-circuit protection

#### Behavior of output signal

- OK status: Load on (switched through)
- Demand mode: Load off (blocked)
- Alarm: Load off (blocked)

#### Terminals

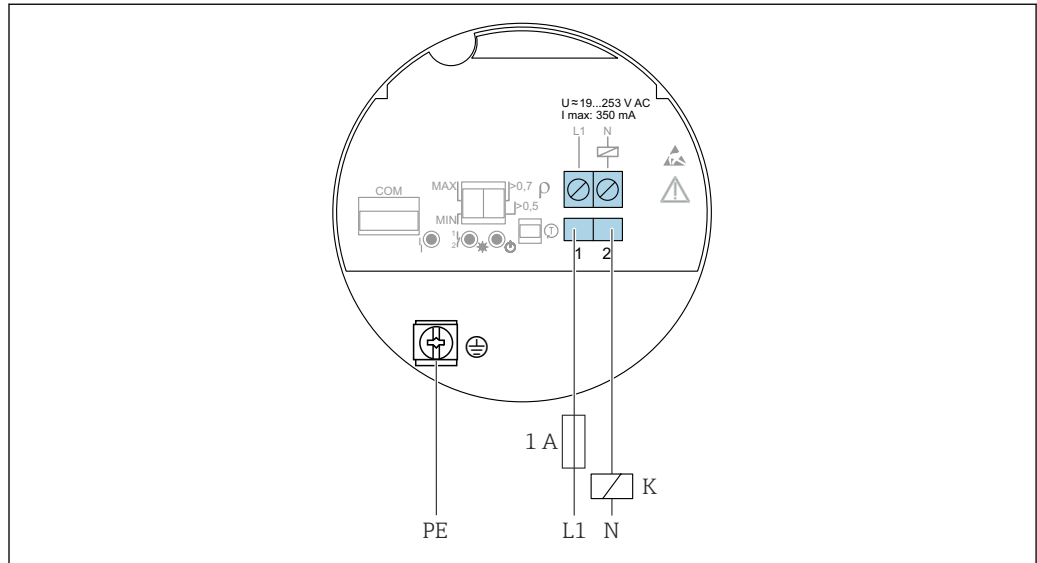
Terminals for cable cross-section up to  $2.5 \text{ mm}^2$  (14 AWG). Use ferrules for the wires.

#### Overvoltage protection

Overvoltage category II

### Terminal assignment

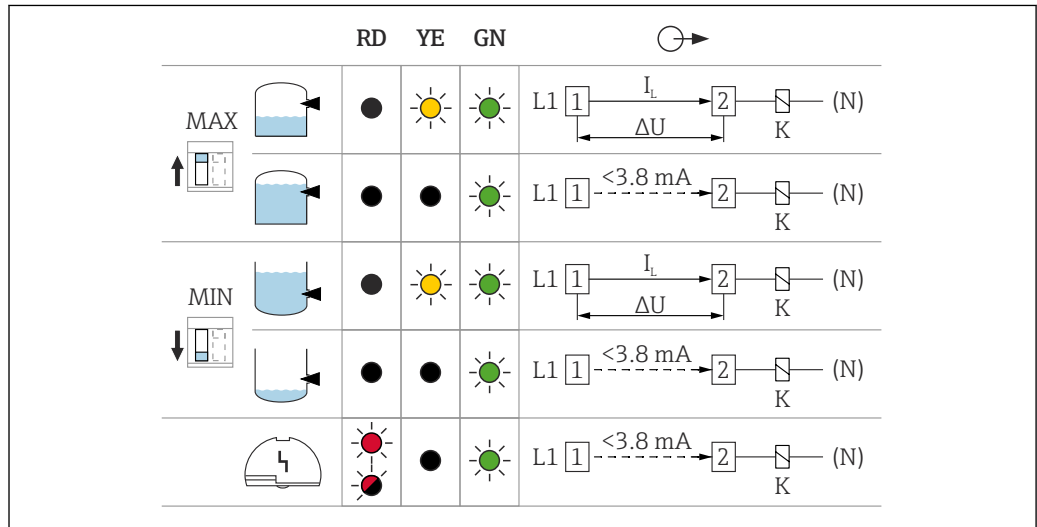
Always connect an external load. The electronic insert has integrated short-circuit protection.



A0036060

17 2-wire AC, electronic insert FEL61

### Behavior of switch output and signaling

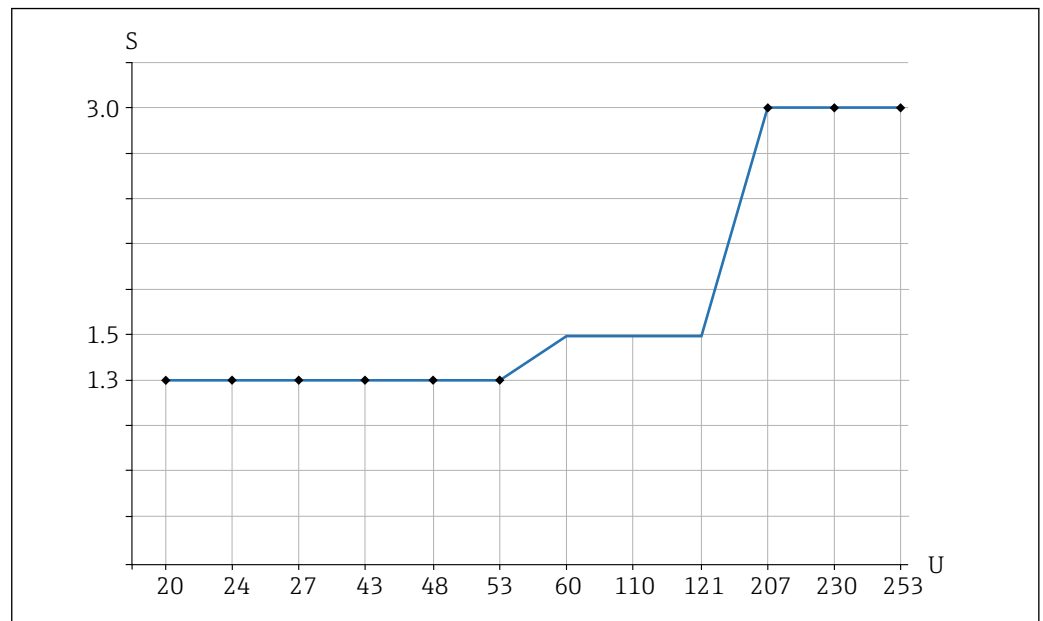


A0031901

18 Behavior of switch output and signaling, electronic insert FEL61

- MAX DIP switch for setting MAX safety mode
- MIN DIP switch for setting MIN safety mode
- RD LED red for warning or alarm
- YE LED yellow, switch status
- GN LED green, operational status, device on
- $I_L$  Load current switched through

## Selection tool for relays



A0042052

19 Recommended minimum holding power/rated power for load

S Holding power/rated power in [VA]

U Operating voltage in [V]

### AC mode

- Operating voltage: 24 V, 50 Hz/60 Hz
- Holding power/rated power: > 0.5 VA, < 8.4 VA
- Operating voltage: 110 V, 50 Hz/60 Hz
- Holding power/rated power: > 1.1 VA, < 38.5 VA
- Operating voltage: 230 V, 50 Hz/60 Hz
- Holding power/rated power: > 2.3 VA, < 80.5 VA

### 6.3.2 3-wire DC PNP (electronic insert FEL62)

- Three-wire direct current version
- Preferably in conjunction with programmable logic controllers (PLC), DI modules as per EN 61131-2. Positive signal at switching output of electronics module (PNP)
- Functional testing without level change  
A functional test can be performed on the device using the test button on the electronic insert or using the test magnet (can be ordered as an option) with the housing closed.

#### Supply voltage



**WARNING**

#### Failure to use the prescribed power supply unit.

Risk of potentially life-threatening electric shock!

- ▶ The FEL62 may only be powered by devices with reliable galvanic isolation in accordance with IEC 61010-1.

$U = 10$  to  $55 V_{DC}$



The device must be powered by a voltage supply categorized as "CLASS 2" or "SELV".



Comply with the following according to IEC 61010-1: Provide a suitable circuit breaker for the device and limit the current to 500 mA, e.g. by installing a 0.5 A fuse (slow-blow) in the power supply circuit.

**Power consumption**

$P \leq 0.5 \text{ W}$

**Current consumption**

$I \leq 10 \text{ mA}$  (without load)

The red LED flashes in the event of an overload or short-circuit. Check for an overload or short-circuit every 5 s.

**Load current**

$I \leq 350 \text{ mA}$  with overload and short-circuit protection

**Capacitance load**

$C \leq 0.5 \text{ }\mu\text{F}$  at 55 V,  $C \leq 1.0 \text{ }\mu\text{F}$  at 24 V

**Residual current**

$I < 100 \text{ }\mu\text{A}$  (for blocked transistor)

**Residual voltage**

$U < 3 \text{ V}$  (for switched through transistor)

**Behavior of output signal**

- OK status: Switched through
- Demand mode: Blocked
- Alarm: Blocked

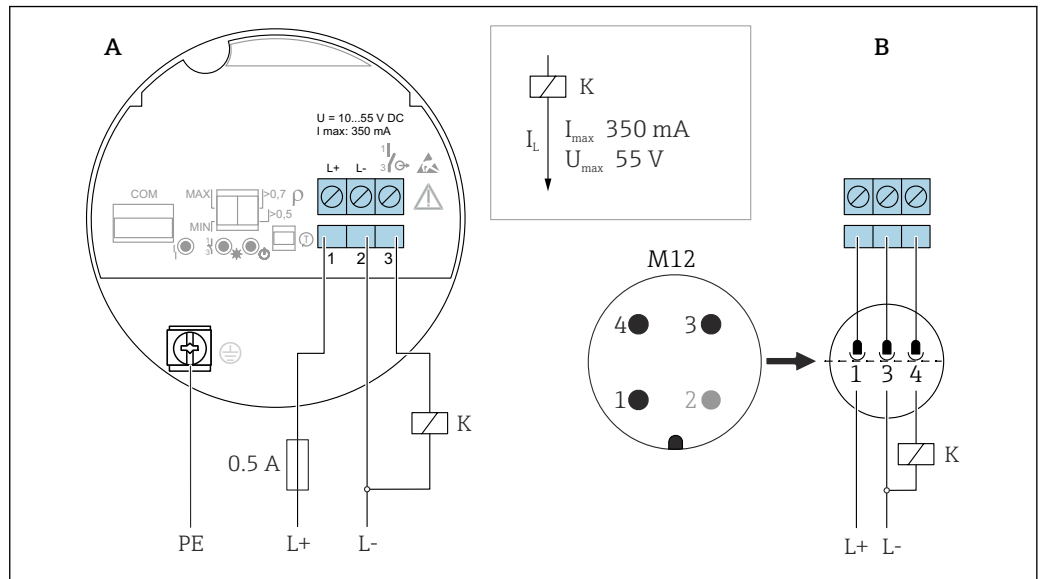
**Terminals**

Terminals for cable cross-section up to  $2.5 \text{ mm}^2$  (14 AWG). Use ferrules for the wires.

**Overvoltage protection**

Overvoltage category I

**Terminal assignment**



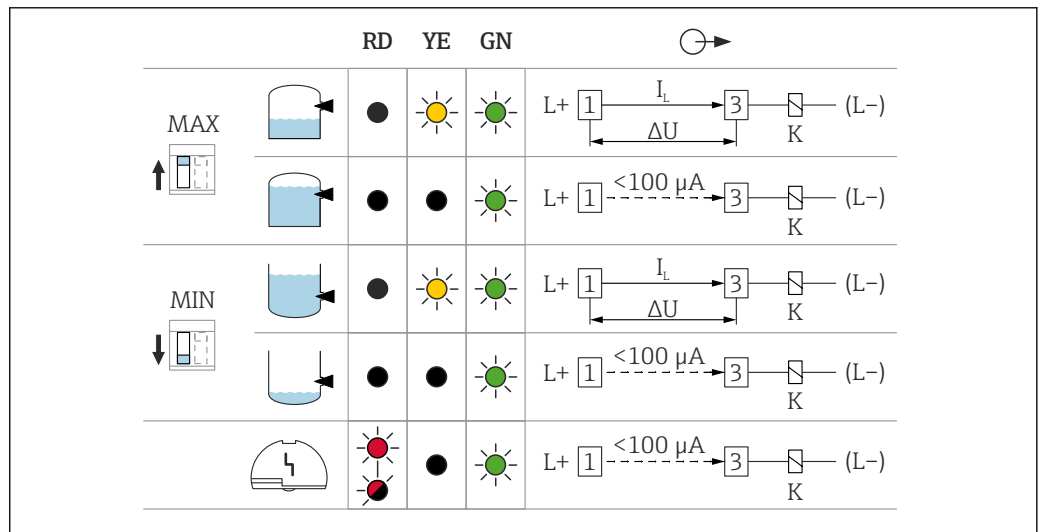
A0036061

20 3-wire DC-PNP, electronic insert FEL62

A Connection wiring with terminals

B Connection wiring with M12 plug in housing according to EN61131-2 standard

**Behavior of switch output and signaling**



A0033508

21 Behavior of switch output and signaling, electronic insert FEL62

MAX DIP switch for setting MAX safety mode

MIN DIP switch for setting MIN safety mode

RD LED red for warning or alarm

YE LED yellow, switch status

GN LED green, operational status, device on

$I_L$  Load current switched through

### 6.3.3 Universal current connection with relay output (electronic insert FEL64)

- Switches the loads via two potential-free change-over contacts
- Two galvanically isolated change-over contacts (DPDT), both change-over contacts switch simultaneously
- Functional testing without level change. A functional test can be performed on the device using the test button on the electronic insert or using the test magnet (can be ordered as an option) with the housing closed.

#### WARNING

**An error at the electronic insert can cause the permitted temperature for touch-safe surfaces to be exceeded. This presents a risk of burns.**

- ▶ Do not touch the electronics in the event of an error!

#### Supply voltage

$U = 19 \text{ to } 253 \text{ V}_{AC}, 50 \text{ Hz}/60 \text{ Hz} / 19 \text{ to } 55 \text{ V}_{DC}$

-  Comply with the following according to IEC 61010-1: Provide a suitable circuit breaker for the device and limit the current to 500 mA, e.g. by installing a 0.5 A fuse (slow-blow) in the power supply circuit.


#### Power consumption

$S < 25 \text{ VA}, P < 1.3 \text{ W}$

#### Connectable load

Loads switched via two potential-free change-over contacts (DPDT)

- $I_{AC} \leq 6 \text{ A}, U \sim \leq AC 253 \text{ V}; P \sim \leq 1500 \text{ VA}, \cos \varphi = 1, P \sim \leq 750 \text{ VA}, \cos \varphi > 0.7$
- $I_{DC} \leq 6 \text{ A to DC } 30 \text{ V}, I_{DC} \leq 0.2 \text{ A to } 125 \text{ V}$

-  Additional restrictions for the connectable load depend on the selected approval. Pay attention to the information in the Safety Instructions (XA).

According to IEC 61010, the following applies: Total voltage from relay outputs and auxiliary power supply  $\leq 300 \text{ V}$ .

Use electronic insert FEL62 DC PNP for small DC load currents, e.g. for connection to a PLC.

Relay contact material: Silver/nickel AgNi 90/10

When connecting a device with high inductance, provide a spark quenching unit to protect the relay contact. A fine-wire fuse (depending on the connected load) protects the relay contact in the event of a short-circuit.

Both relay contacts switch simultaneously.

#### Behavior of output signal

- OK status: Relay energized
- Demand mode: Relay de-energized
- Alarm: Relay de-energized

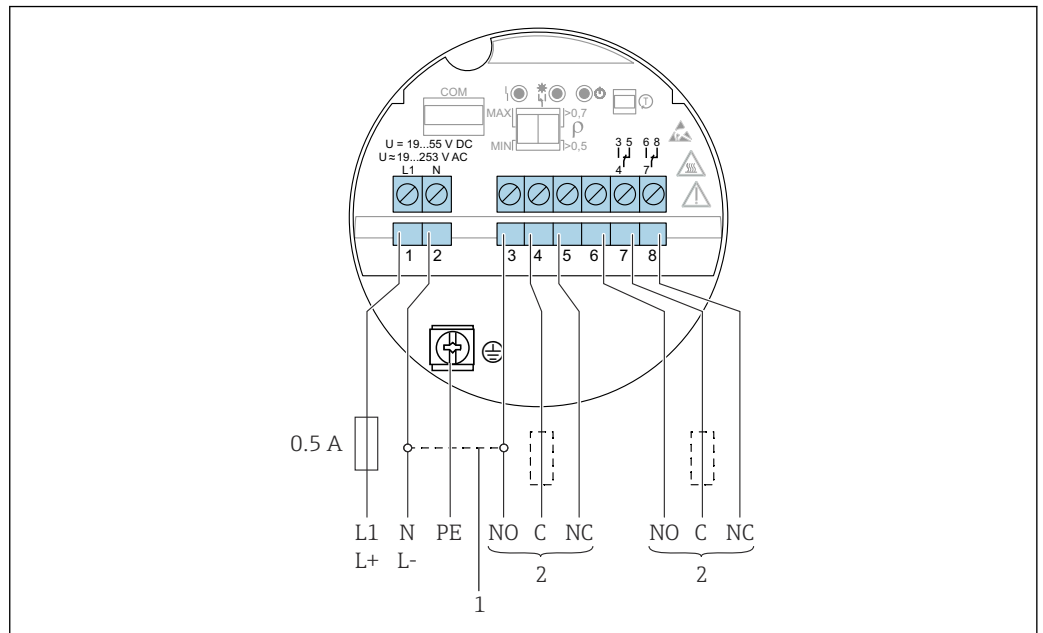
#### Terminals

Terminals for cable cross-section up to  $2.5 \text{ mm}^2$  (14 AWG). Use ferrules for the wires.

#### Overvoltage protection

Overvoltage category II

**Terminal assignment**

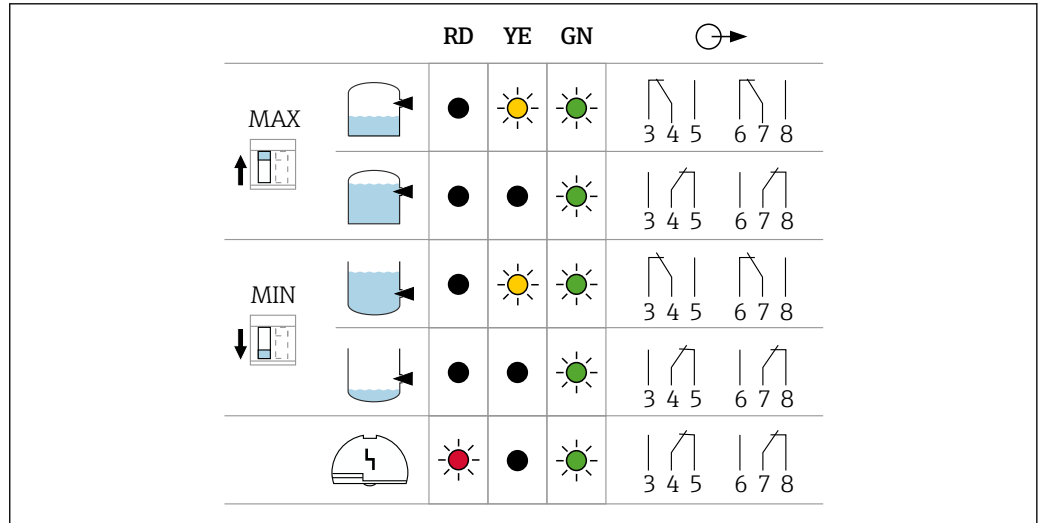


A0036062

22 Universal current connection with relay output, electronic insert FEL64

- 1 When bridged, the relay output works with NPN logic
- 2 Connectable load

**Behavior of switch output and signaling**



A003513

23 Behavior of switch output and signaling, electronic insert FEL64

- MAXDIP switch for setting MAX safety mode
- MIN DIP switch for setting MIN safety mode
- RD LED red for alarm
- YE LED yellow, switch status
- GN LED green, operational status, device on


### 6.3.4 Relay output DC connection (electronic insert FEL64 DC)

- Switches the loads via two potential-free change-over contacts
- Two galvanically isolated change-over contacts (DPDT), both change-over contacts switch simultaneously
- Functional testing without level change. A functional test can be performed on the entire device using the test button on the electronic insert or using the test magnet (can be ordered as an option) with the housing closed.

#### Supply voltage

$U = 9 \text{ to } 20 \text{ V}_{\text{DC}}$

 The device must be powered by a voltage supply categorized as "CLASS 2" or "SELV".

 Comply with the following according to IEC 61010-1: Provide a suitable circuit breaker for the device and limit the current to 500 mA, e.g. by installing a 0.5 A fuse (slow-blow) in the power supply circuit.


#### Power consumption

$P < 1.0 \text{ W}$

#### Connectable load

Loads switched via two potential-free change-over contacts (DPDT)

- $I_{\text{AC}} \leq 6 \text{ A}$ ,  $U_{\sim} \leq \text{AC } 253 \text{ V}$ ;  $P_{\sim} \leq 1500 \text{ VA}$ ,  $\cos \varphi = 1$ ,  $P_{\sim} \leq 750 \text{ VA}$ ,  $\cos \varphi > 0.7$
- $I_{\text{DC}} \leq 6 \text{ A}$  to DC 30 V,  $I_{\text{DC}} \leq 0.2 \text{ A}$  to 125 V

 Additional restrictions for the connectable load depend on the selected approval. Pay attention to the information in the Safety Instructions (XA).

According to IEC 61010, the following applies: Total voltage from relay outputs and auxiliary power supply  $\leq 300 \text{ V}$

Electronic insert FEL62 DC PNP preferred for small DC load currents, e.g. connection to a PLC.

Relay contact material: Silver/nickel AgNi 90/10

When connecting a device with high inductance, fit a spark quenching unit to protect the relay contact. A fine-wire fuse (depending on the connected load) protects the relay contact in the event of a short-circuit.

#### Behavior of output signal

- OK status: Relay energized
- Demand mode: Relay de-energized
- Alarm: Relay de-energized

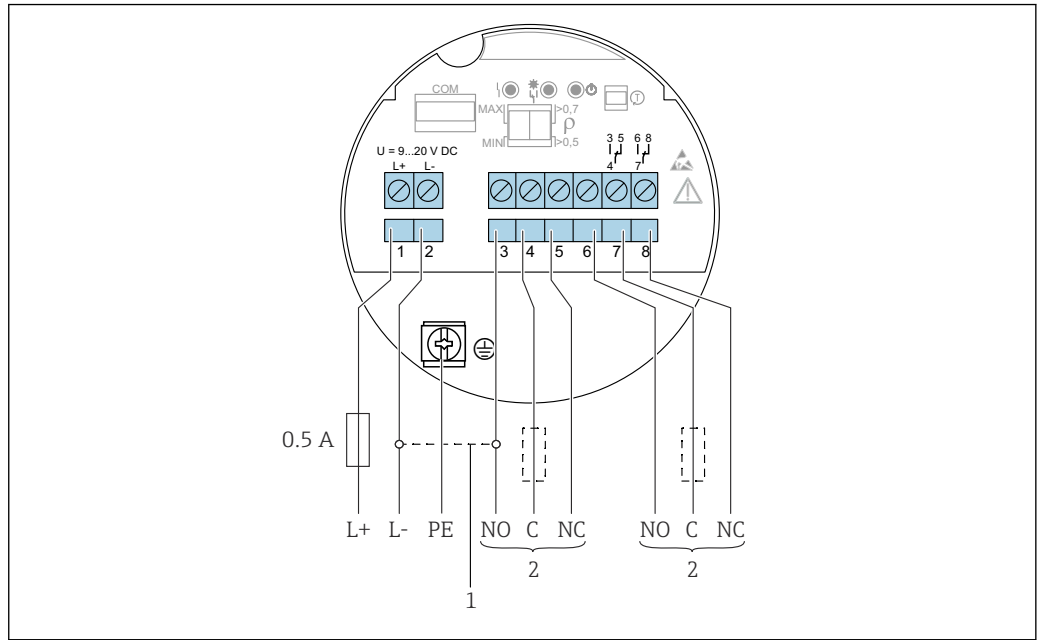
#### Terminals

Terminals for cable cross-section up to  $2.5 \text{ mm}^2$  (14 AWG). Use ferrules for the wires.

#### Overvoltage protection

Overvoltage category I

**Terminal assignment**

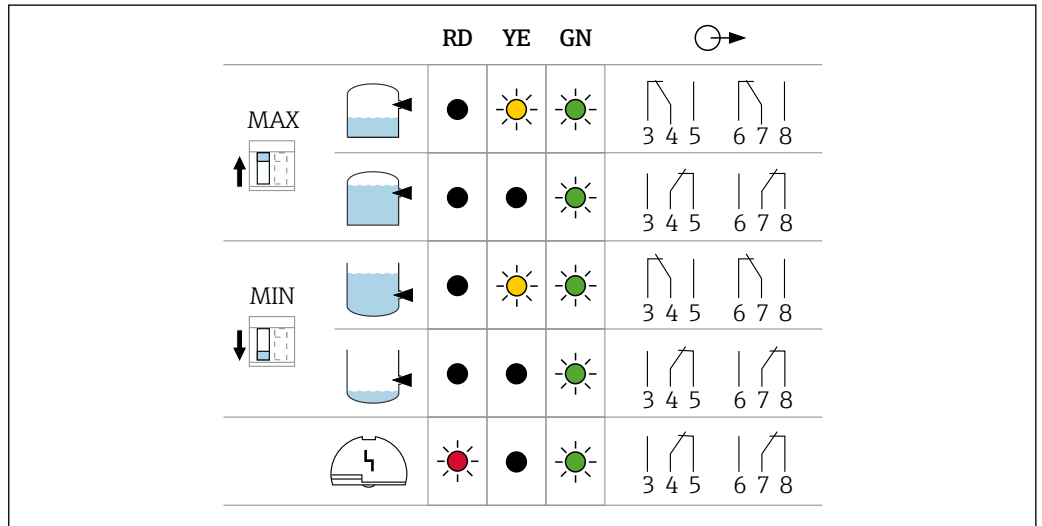


A0037685

24 DC connection with relay output, electronic insert FEL64 DC

- 1 When bridged, the relay output works with NPN logic
- 2 Connectable load

**Behavior of switch output and signaling**



A0033513

25 Behavior of switch output and signaling, electronic insert FEL64 DC

- MAXDIP switch for setting MAX safety mode
- MIN DIP switch for setting MIN safety mode
- RD LED red for alarm
- YE LED yellow, switch status
- GN LED green, operational status, device on

### 6.3.5 PFM output (electronic insert FEL67)

- For connection to Endress+Hauser Nivotester switching units FTL325P and FTL375P
- PFM signal transmission; pulse frequency modulation, superimposed on the power supply along the two-wire cabling
- Functional testing without level change:
  - A functional test can be performed on the device using the test button on the electronic insert.
  - The functional test can also be prompted by disconnecting the supply voltage or triggered directly by the Nivotester FTL325P and FTL375P switching unit.

#### Supply voltage

$U = 9.5 \text{ to } 12.5 \text{ V}_{\text{DC}}$



The device must be powered by a voltage supply categorized as "CLASS 2" or "SELV".



Comply with the following according to IEC 61010-1: Provide a suitable circuit breaker for the device.

#### Power consumption

$P \leq 150 \text{ mW}$  with Nivotester FTL325P or FTL375P

#### Behavior of output signal

- OK status: MAX mode of operation 150 Hz, MIN mode of operation 50 Hz
- Demand mode: MAX mode of operation 50 Hz, MIN mode of operation 150 Hz
- Alarm: MAX/MIN mode of operation 0 Hz

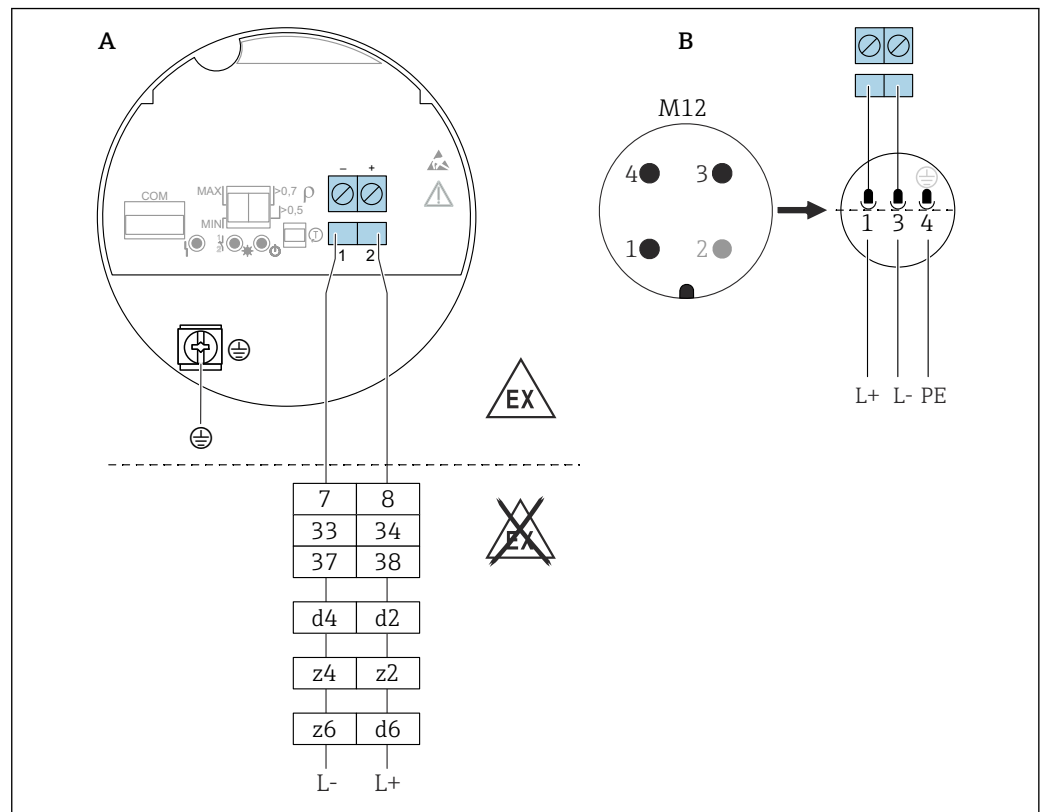
#### Terminals

Terminals for cable cross-section up to  $2.5 \text{ mm}^2$  (14 AWG). Use ferrules for the wires.

#### Overvoltage protection

Overvoltage category I

## Terminal assignment



A0036065

26 PFM output, electronic insert FEL67

A Connection wiring with terminals

B Connection wiring with M12 plug in housing according to EN61131-2 standard

7/ 8: Nivotester FTL325P 1 CH, FTL325P 3 CH input 1

33/ 34: Nivotester FTL325P 3 CH input 2

37/ 38: Nivotester FTL325P 3 CH input 3

d4/ d2: Nivotester FTL375P input 1

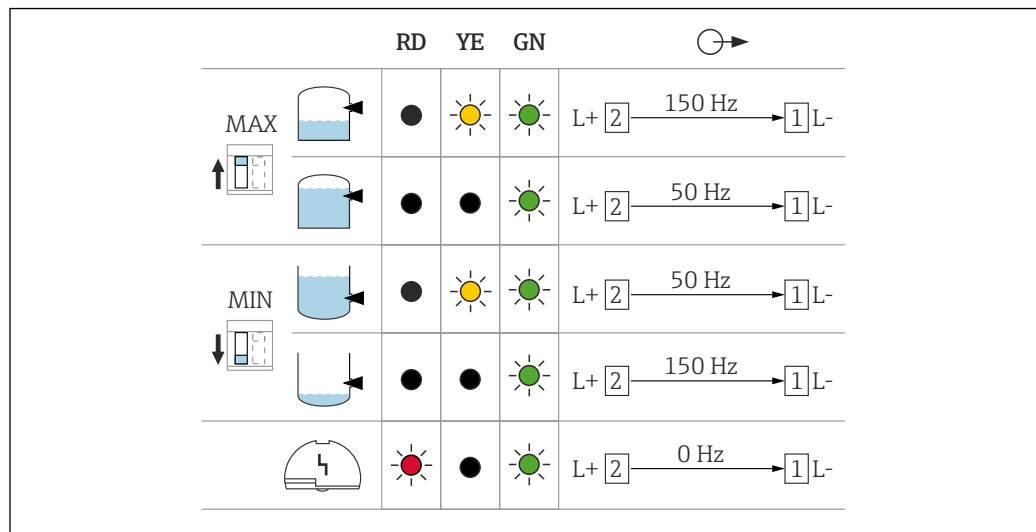
z4/ z2: Nivotester FTL375P input 2

z6/ d6: Nivotester FTL375P input 3

## Connection cable

- Maximum cable resistance: 25 Ω per core
- Maximum cable capacitance: < 100 nF
- Maximum cable length: 1 000 m (3 281 ft)

### Behavior of switch output and signaling



A0037696

27 Switching behavior and signaling, electronic insert FEL67

MAX DIP switch for setting MAX safety mode

MIN DIP switch for setting MIN safety mode

RD LED red for alarm

YE LED yellow, switch status

GN LED green, operational status, device on

**i** The switches for MAX/MIN on the electronic insert and the FTL325P switching unit must be set according to the application. Only then is it possible to perform the functional test correctly.

### 6.3.6 2-wire NAMUR > 2.2 mA / < 1.0 mA (electronic insert FEL68)

- To connect to isolating amplifiers according to NAMUR (IEC 60947-5-6), e.g. Nivotester FTL325N from Endress+Hauser
- To connect to isolating amplifiers of third-party suppliers according to NAMUR (IEC 60947-5-6), a permanent power supply for electronic insert FEL68 must be ensured.
- Signal transmission H-L edge 2.2 to 3.8 mA / 0.4 to 1.0 mA according to NAMUR (IEC 60947-5-6) on two-wire cabling
- Functional testing without level change. A functional test can be performed on the device using the test button on the electronic insert or using the test magnet (can be ordered as an option) with the housing closed.  
The functional test can also be triggered by interrupting the supply voltage or activated directly from the Nivotester FTL325N.

#### Supply voltage

$$U = 8.2 V_{DC} \pm 20\%$$

**i** The device must be powered by a voltage supply categorized as "CLASS 2" or "SELV".

**i** Comply with the following according to IEC 61010-1: Provide a suitable circuit breaker for the device.

#### Power consumption

NAMUR IEC 60947-5-6

< 6 mW with  $I < 1 \text{ mA}$ ; < 38 mW with  $I = 3.5 \text{ mA}$

### Connection data interface

NAMUR IEC 60947-5-6

### Behavior of output signal

- OK status: Output current 2.2 to 3.8 mA
- Demand mode: Output current 0.4 to 1.0 mA
- Alarm: Output current < 1.0 mA

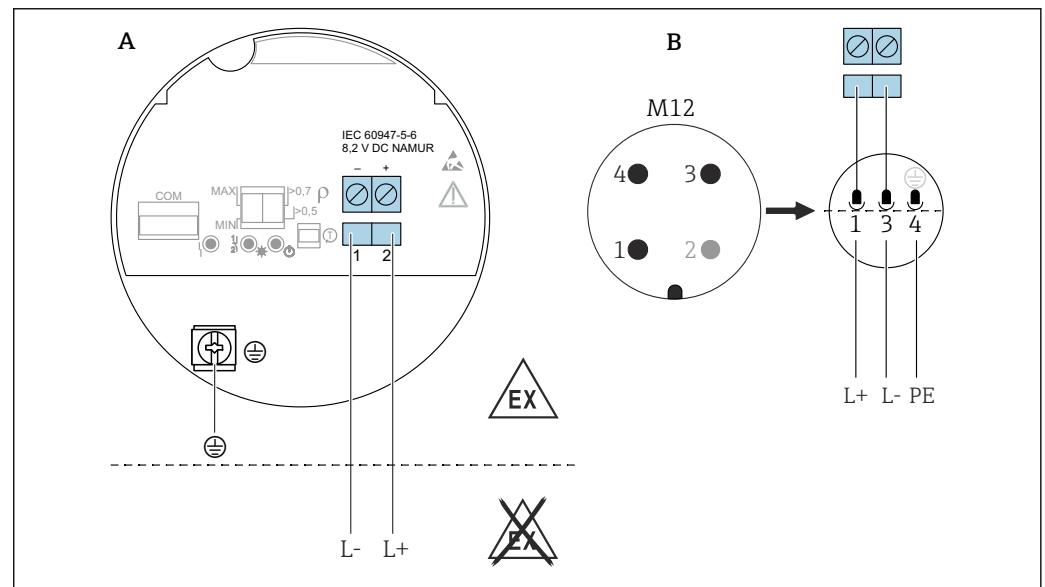
### Terminals

Terminals for cable cross-section up to 2.5 mm<sup>2</sup> (14 AWG). Use ferrules for the wires.

### Overvoltage protection

Overvoltage category I

### Terminal assignment

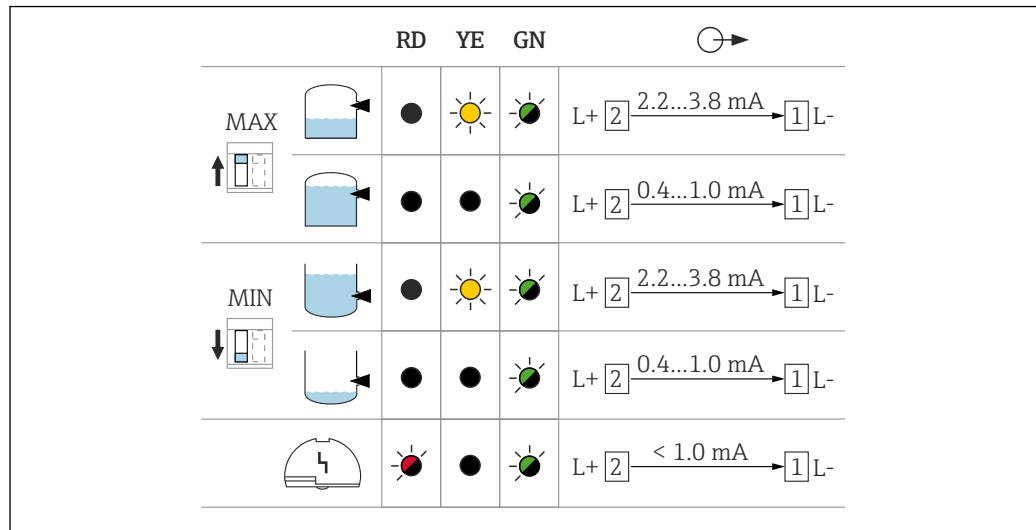


28 2-wire NAMUR  $\geq 2.2 \text{ mA} / \leq 1.0 \text{ mA}$ , electronic insert FEL68

A Connection wiring with terminals

B Connection wiring with M12 plug in housing according to EN61131-2 standard

## Behavior of switching output and signaling



A0037694

29 Behavior of switching output and signaling, electronic insert FEL68

MAX DIP switch, for setting MAX safety mode

MIN DIP switch, for setting MIN safety mode

RD Red LED, for alarm

YE Yellow LED, for switch status

GN Green LED, for operational status, device on

The yellow LED is disabled if the Bluetooth® module is connected.

The Bluetooth® module for use in conjunction with electronic insert FEL68 (2-wire NAMUR) must be ordered separately with the required battery.

### 6.3.7 LED module VU120 (optional)

#### Supply voltage

$$U = 12 \text{ to } 55 \text{ V}_{\text{DC}}$$

$$U = 19 \text{ to } 253 \text{ V}_{\text{AC}}, 50 \text{ Hz}/60 \text{ Hz}$$

#### Power consumption

$$P \leq 0.7 \text{ W}, S < 6 \text{ VA}$$

#### Current consumption

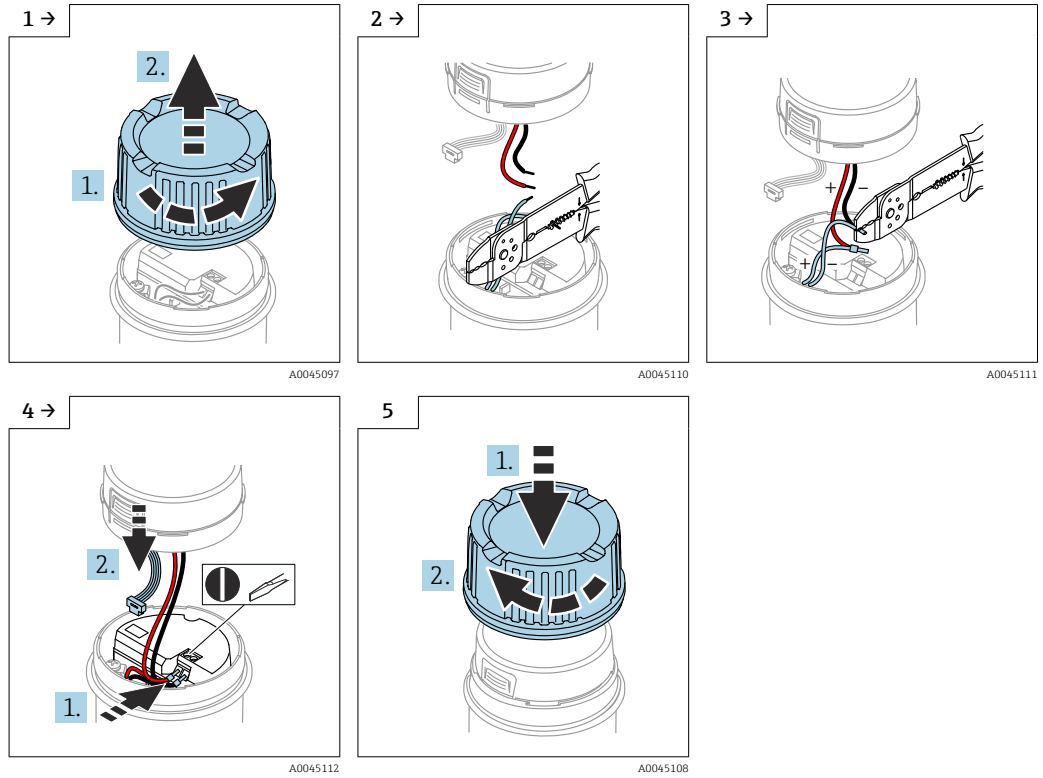
$$I_{\text{max}} = 0.4 \text{ A}$$

#### Connecting the LED module

In the case of devices for use in the hazardous area with a certain type of protection, the cover is sealed by a securing screw.

For more details, see the "Cover with securing screw" section.

- Required tools: crimper, flat-blade screwdriver
- Use the wire end ferrules supplied



**Operational status signaling**

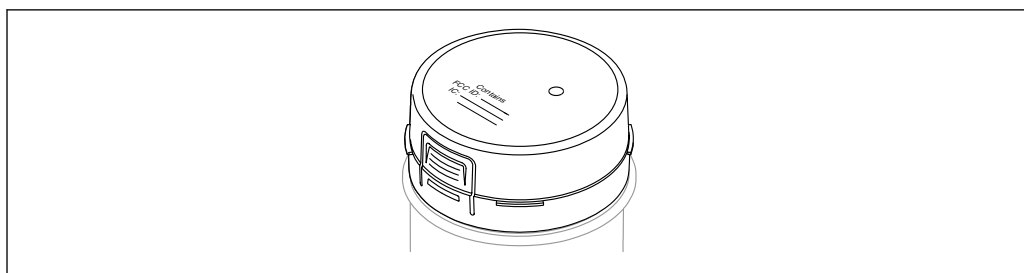
		GN	YE	RD
MAX				
MIN				

30 LED module, the LED lights up in green (GN), yellow (YE) or red (RD)

A brightly lit LED indicates the operational status (switch status or alarm status). The LED module can be connected to the following electronic inserts: FEL62, FEL64, FEL64DC.

The three colors of the LED flash one after another as a chaser light during the functional test.

### 6.3.8 Bluetooth® module VU121 (optional)



A0039257

31 Bluetooth® module VU121

- The Bluetooth® module can be connected via the COM interface to the following electronic inserts: FEL61, FEL62, FEL64, FEL64 DC, FEL67, FEL68 (2-wire NAMUR).
- The Bluetooth® module is only available in conjunction with the Heartbeat Verification + Monitoring application package.
- The Bluetooth® module with battery is suitable for use in hazardous areas.
- In conjunction with electronic insert FEL68 (2-wire NAMUR), the Bluetooth® module must be ordered separately with the required battery.
- The yellow LED on electronic insert FEL68 is disabled if the Bluetooth® module is connected.

#### Batteries – use and handling

For energy-related reasons, Bluetooth® module VU121 requires a special battery when operated with electronics insert FEL68 (2-wire NAMUR).

- i** The battery is categorized as dangerous goods when transported by air and must not be installed in the device when shipped.

Replacement batteries can be purchased from a specialist retailer.

#### Replacement batteries

Only the following types of AA 3.6 V lithium batteries made by the manufacturers listed below are suitable as replacement batteries:

- SAFT LS14500
- TADIRAN SL-360/s
- XENOENERGY XL-060F

#### Isolation lug in battery compartment

##### NOTICE

#### Premature discharge of the battery due to removing the isolation lug

Removing the isolation lug from the battery compartment of the Bluetooth® module will cause the battery to be discharged prematurely, regardless of the sensor power supply.

- ▶ The isolation lug must remain in the battery compartment of the Bluetooth® module for as long as the sensors are in storage.

#### Operating life

- If the batteries are discharged, a Bluetooth® connection is no longer possible
- At ambient temperatures from +10 to +40 °C (+50 to +104 °F), the service life of the Bluetooth® module without replacing the battery is at least five years with a maximum of 60 downloads of complete datasets.


Requirement: The sensor is 99% in the OK status (demand mode requires increased power consumption)

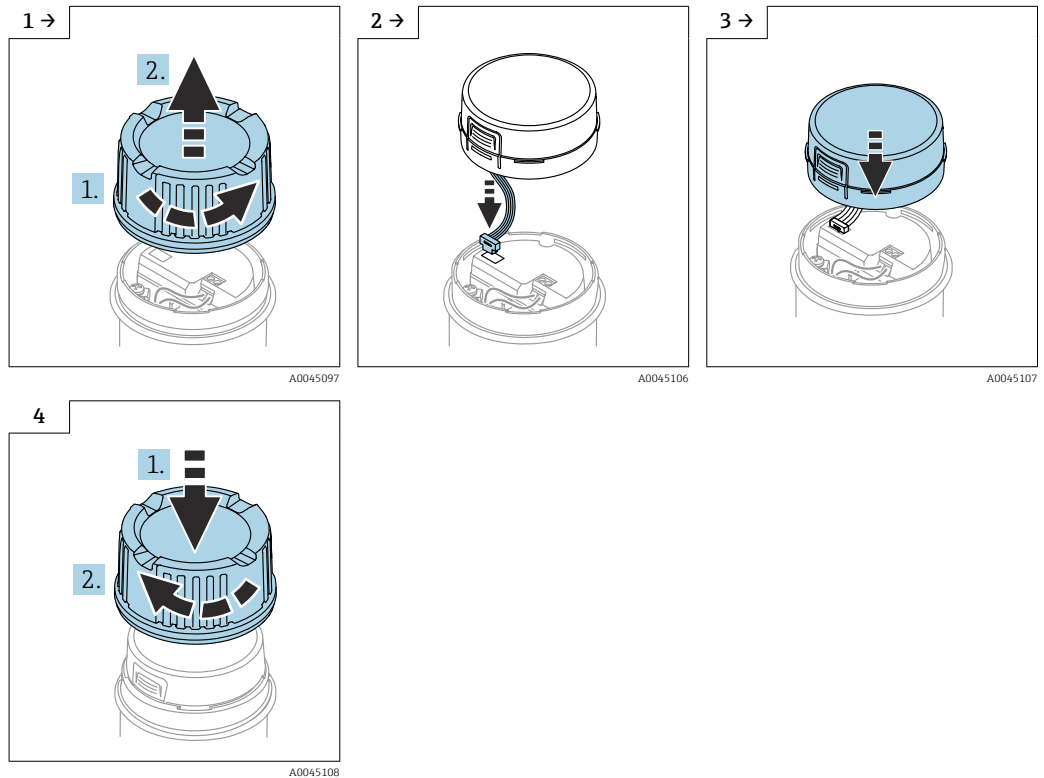
The battery life is based on a scenario where the sensor is connected and powered.

### Replacing the battery

- ▶ Before replacing the battery, the Bluetooth® module must be disconnected from electronic insert FEL68.
  - ↳ Only then will the battery status display be detected correctly.

### Connecting the Bluetooth® module

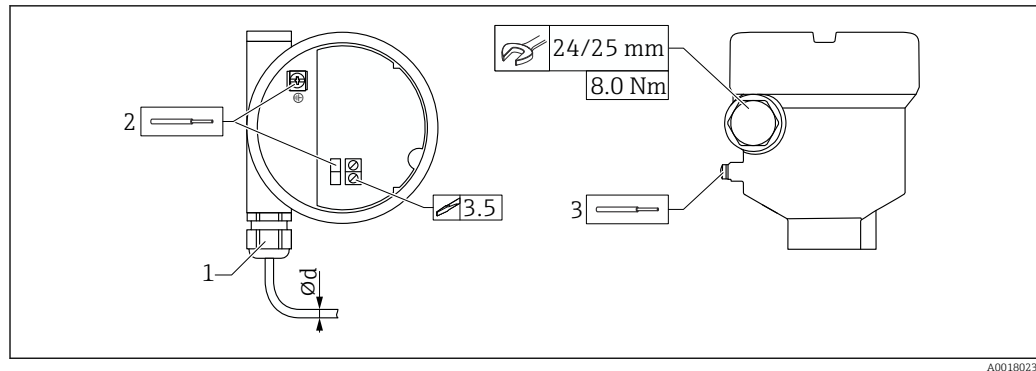
- i** The cover is locked by a securing screw in devices for use in hazardous areas with a certain type of explosion protection.
  -  For more details, see the "Cover with securing screw" section.



## 6.3.9 Connecting the cables

### Required tools

- Flat-blade screwdriver (0.6 mm x 3.5 mm) for terminals
- Suitable tool with width across flats AF24/25 (8 Nm (5.9 lbf ft)) for M20 cable gland



A0018023

**32** Example of coupling with cable entry, electronic insert with terminals

- 1 M20 coupling (with cable entry), example
  - 2 Conductor cross-section maximum  $2.5 \text{ mm}^2$  (AWG14), ground terminal on inside in housing + terminals on the electronics
  - 3 Conductor cross-section maximum  $4.0 \text{ mm}^2$  (AWG12), ground terminal on outside of the housing (example: plastic housing with outer protective ground connection (PE))
- $\varnothing d$  Nickel-plated brass 7 to 10.5 mm (0.28 to 0.41 in),  
 Plastic 5 to 10 mm (0.2 to 0.38 in),  
 Stainless steel 7 to 12 mm (0.28 to 0.47 in)

**i** Pay attention to the following when using the M20 coupling

Following cable entry:

- Counter-tighten the coupling
- Tighten the union nut of the coupling with 8 Nm (5.9 lbf ft)
- Screw the enclosed coupling into the housing with 3.75 Nm (2.76 lbf ft)

## 6.4 Post-connection check

- Is the device or cable undamaged (visual inspection)?
- Do the cables used comply with the requirements?
- Do the mounted cables have adequate strain relief?
- Are the cable glands mounted and firmly tightened?
- Does the supply voltage match the information on the nameplate?
- No reverse polarity, is terminal assignment correct?
- If supply voltage is present, is the green LED lit?
- Are all the housing covers installed and tightened?
- Optional: Is the cover tightened with securing screw?

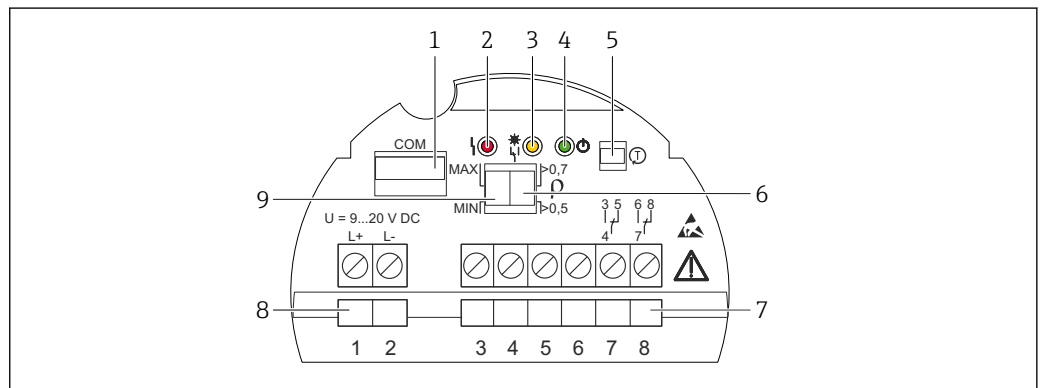
## 7 Operation options

### 7.1 Overview of operation options

#### 7.1.1 Operation concept

- Operation with button and DIP switches on the electronic insert
- Display with optional Bluetooth® module and SmartBlue app via Bluetooth® wireless technology
- Indication of the operational status (switch status or alarm status) with optional LED module (signal lights visible from the outside)  
Observe approvals for plastic housing, aluminum housing and stainless steel housing in hygienic applications (combined with DC PNP (electronic insert FEL62) and relay electronics (electronic inserts FEL64, FEL64DC)

#### 7.1.2 Elements on the electronic insert

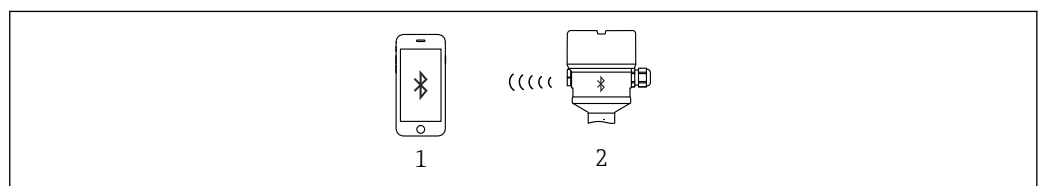


33 Example of electronic insert FEL64DC

- 1 COM interface for additional modules (LED module, Bluetooth® module)
- 2 Red LED, for warning or alarm
- 3 Yellow LED, for switch status
- 4 Green LED, for operational status (device on)
- 5 Test button, for activating function test
- 6 DIP switch, for setting density 0.7 or 0.5
- 7 Terminals (3 to 8), for relay contact
- 8 Terminals (1 to 2), for power supply
- 9 DIP switch, for configuring MAX/MIN safety mode

#### 7.1.3 Heartbeat diagnostics and verification with Bluetooth® wireless technology

##### Access via Bluetooth® wireless technology



34 Remote operation via Bluetooth® wireless technology

- 1 Smartphone or tablet with SmartBlue app
- 2 Device with optional Bluetooth® module

### Bluetooth® module VU121 (optional)

#### Functions

- Connection via COM interface: Bluetooth® module for device diagnostics via a smartphone app or tablet app
- Indication of the battery status via app when used with electronic insert FEL68 (NAMUR)
- Guidance via the **SIL/WHG Prooftest** wizard
- visible in the live list 10 s after the Bluetooth® search commences
- Data can be read out of the Bluetooth® module 60 s after the supply voltage is switched on
- Display of the current oscillation frequency and the switch status of the device

The yellow LED flashes when the Bluetooth® module is connected to another Bluetooth® device, e.g. cell phone.

### Heartbeat Technology modules

Heartbeat Technology comprises 3 modules. These three modules combined check, evaluate and monitor device functionality and process conditions.




- Heartbeat Diagnostics
- Heartbeat Verification
- Heartbeat Monitoring

#### 7.1.4 LED module VU120 (optional)

Depending on the MAX/MIN setting, an LED indicates the operational status (switch status or alarm status) in green, yellow and red. The LED is lit very brightly and is clearly visible from a large distance.

Connection to the following electronic inserts: FEL62, FEL64, FEL64 DC.

 For more details, see the "Electrical connection" section.

## 8 Commissioning

### 8.1 Post-installation and function check

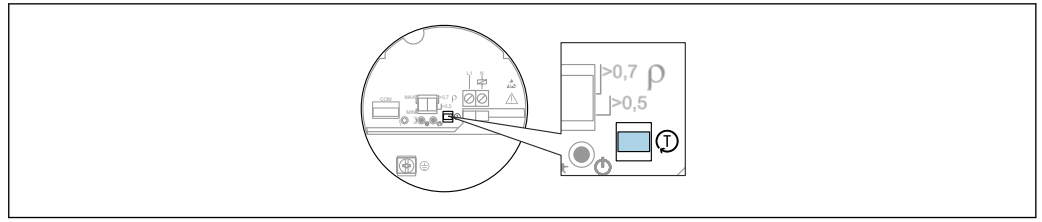
Before commissioning the measuring point, check whether the post-installation and post-connection checks have been performed.

 Post-mounting check

 Post-connection check

### 8.2 Functional test using button on electronic insert

- The functional test must be performed in the OK status: MAX safety and sensor free or MIN safety and sensor covered.
- The LEDs flash one after another as a chaser light during the functional test.
- When performing the proof test in safety instrumented systems according to SIL or WHG: Comply with the instructions in the Safety Manual.



A0037132

35 Button for functional test (electronic inserts FEL61/62/64/64DC/67/68)

1. Make sure that no unintended switching operations are triggered!
2. Press the "T" button on the electronic insert for at least 1 s (e.g. with a screwdriver).
  - ↳ The device functional test is performed. The output changes from the OK status to demand mode.  
Duration of the functional test: At least 10 s or if the button is pressed for > 10 s, the test lasts until the test button is released.

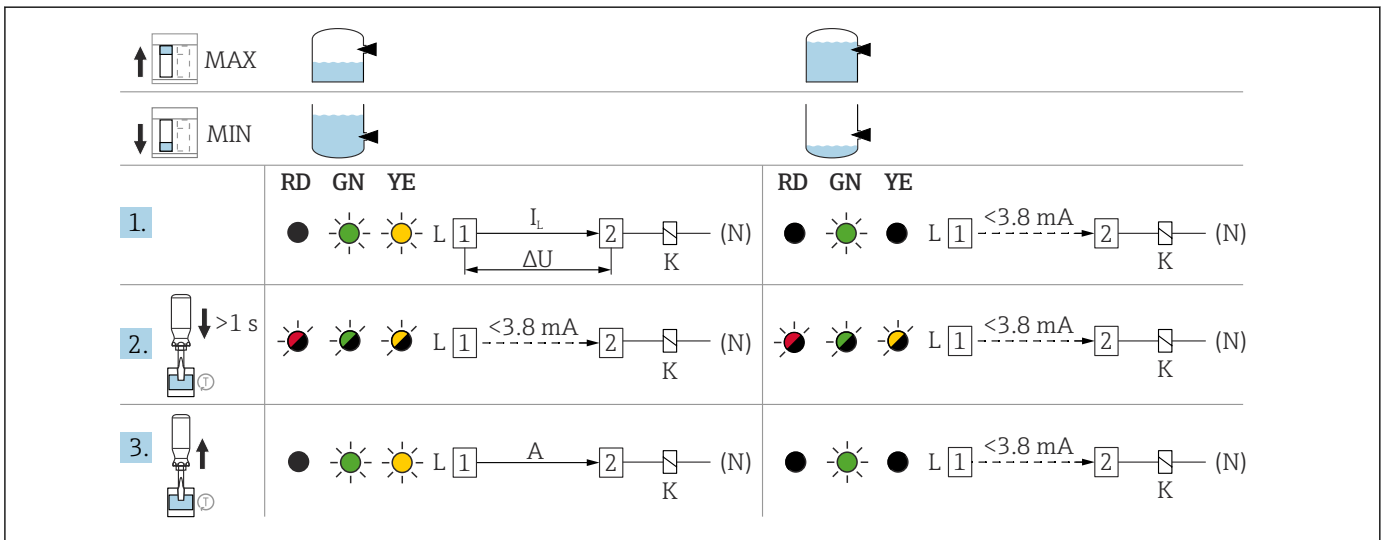
The device returns to normal measurement operation if the internal test is successful.

**i** If the housing may not be opened during operation due to explosion protection requirements, e.g. Ex d /XP, the functional test can also be started from the outside with the test magnet (optionally available), (FEL62, FEL64, FEL64DC, FEL68).

The functional test of the PFM electronics (FEL67) and NAMUR electronics (FEL68) can be started at the Nivotester FTL325P/N.

**A** For more details, see the "Functional test of the electronic switch with a test magnet" section.

### 8.2.1 FEL61 switching behavior and signaling

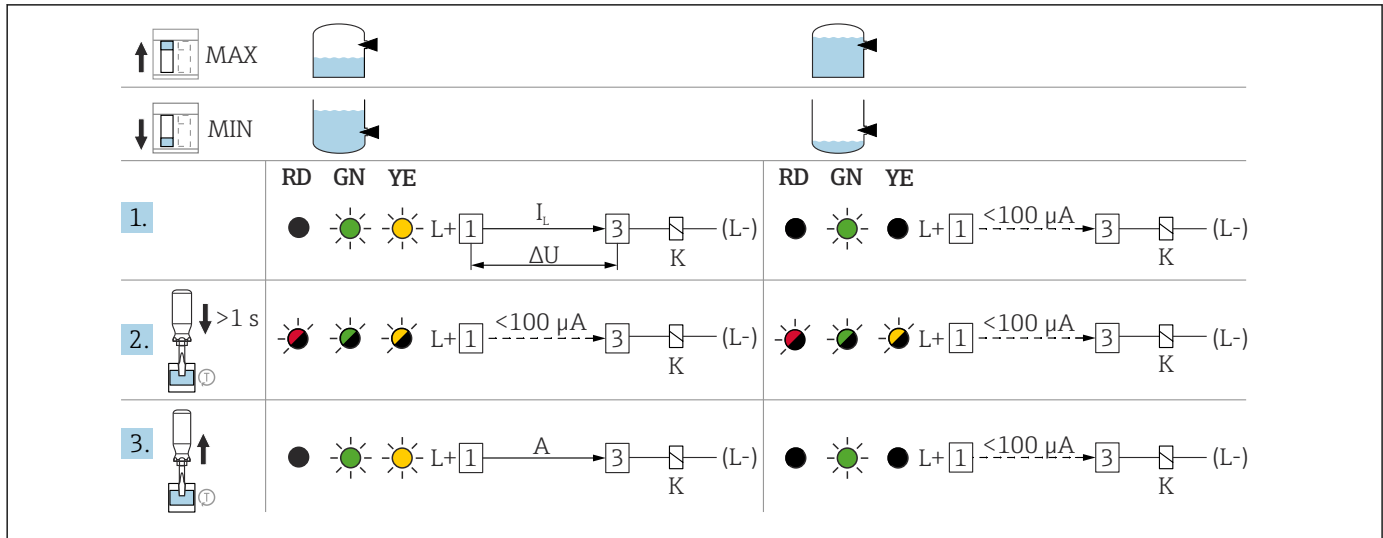


A0039210

36 FEL61 switching behavior and signaling

A After the test button is pressed, the load is switched off for at least 10 s ( $I < 3.8 \text{ mA}$ ) even if the button is pressed for < 10 s. If the test button is pressed for > 10 s the load remains switched off ( $I < 3.8 \text{ mA}$ ) until the test button is released. The load is then switched on again.

### 8.2.2 FEL62 switching behavior and signaling

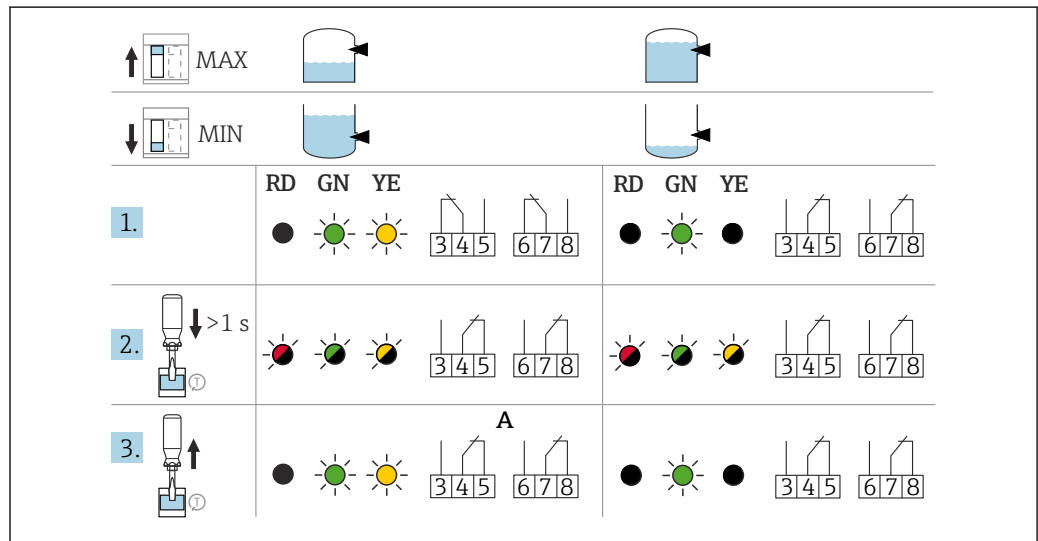


A0039211

37 FEL62 switching behavior and signaling

A After the test button is pressed, the DC-PNP output is switched off for at least 10 s ( $I < 100 \mu A$ ) even if the button is pressed for  $< 10$  s. If the test button is pressed for  $> 10$  s, the DC-PNP output remains switched off ( $I < 100 \mu A$ ) until the test button is released. The DC-PNP output is then switched on again.

### 8.2.3 FEL64, FEL64DC switching behavior and signaling



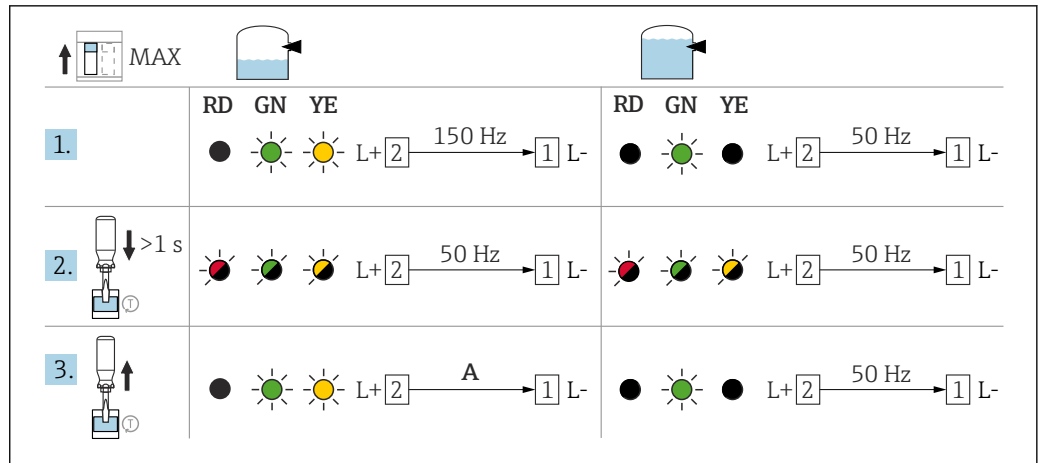
A0039212

38 FEL64, FEL64DC switching behavior and signaling

A After the test button is pressed, the relay is de-energized for at least 10 s even if the button is pressed for  $< 10$  s. If the test button is pressed for  $> 10$  s, the relay remains de-energized until the test button is released. The relay is then energized again.

### 8.2.4 FEL67 switching behavior and signaling

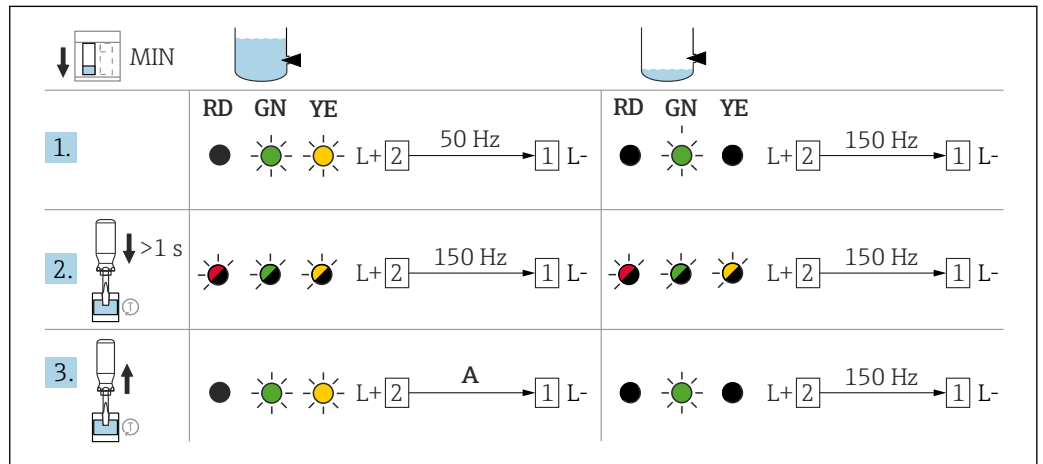
**i** A distinction must be made between MAX and MIN operating modes in the case of the FEL67 electronic insert!



A0039213

39 FEL67 MAX switching behavior and signaling

A After the test button is pressed, the output frequency is switched off (50 Hz) for at least 10 s even if the button is pressed for < 10 s. If the test button is pressed for > 10 s, the output frequency remains at 50 Hz until the test button is released. The output frequency is then 150 Hz again afterwards.



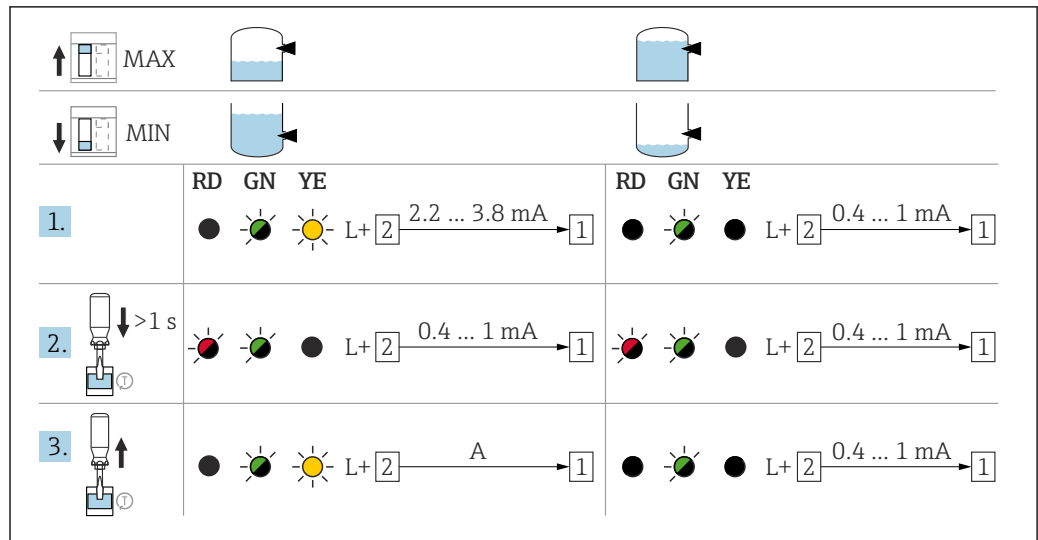
A0039214

40 FEL67 MIN switching behavior and signaling

A After the test button is pressed, the output frequency is switched off (150 Hz) for at least 10 s even if the button is pressed for < 10 s. If the test button is pressed for > 10 s, the output frequency remains at 150 Hz until the test button is released. The output frequency is then 50 Hz again afterwards.

**i** The PFM frequency cannot be measured on site. It is therefore recommended to proof test the functionality at the Nivotester FTL325P/FTL375P.

### 8.2.5 FEL68 switching behavior and signaling



41 NAMUR electronics switching behavior and signaling

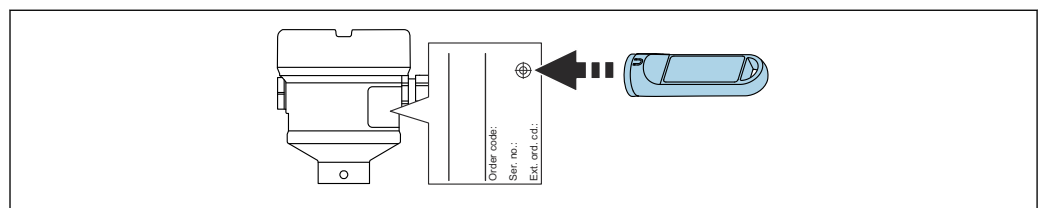
A After the test button is pressed, the current is 0.4 to 1 mA for at least 10 s even if the button is pressed for < 10 s. If the test button is pressed for > 10 s, the current remains at 0.4 to 1 mA until the test button is released. The current is then 2.2 to 3.8 mA again afterwards.

### 8.3 Functional test of the electronic switch with a test magnet

Perform functional test of the electronic switch without opening the device:

- ▶ Hold the test magnet against the marking on the nameplate on the outside.
  - ↳ Simulation is possible in the case of the FEL62, FEL64, FEL64DC, FEL68 electronic inserts.

The functional test with the test magnet acts in the same way as the functional test using the test button on the electronic insert.



42 Functional test with test magnet

### 8.4 Switching on the device

During the power-up time, the device output is in the safety-oriented state, or in the alarm state if available:

- For electronic insert FEL61, the output will be in the correct state after a maximum of 4 s following power-up.
- For electronic inserts FEL62, FEL64, FEL64DC, the output will be in the correct state after a maximum of 3 s following power-up.
- For electronic inserts FEL68 NAMUR and FEL67 PFM, a functional test is always performed upon power-up. The output will be in the correct state after a maximum of 10 s.

## 8.5 Establishing a connection via SmartBlue app

### 8.5.1 Requirements

#### Device requirements

Commissioning via the SmartBlue app is only possible if a Bluetooth® module is installed in the device.

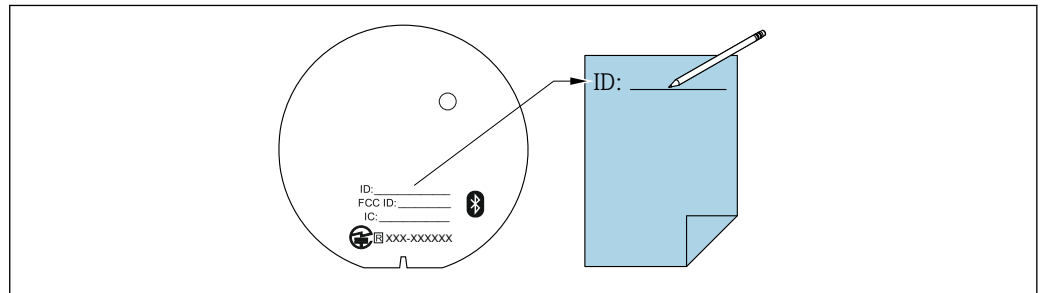
#### System requirements

Please see the "App Store (Apple)" or "Google Play Store" for information regarding the compatibility of the SmartBlue app with mobile devices.

### 8.5.2 Preliminaries

Make a note of the ID number of the Bluetooth® module. The ID number on the nameplate of the Bluetooth® module is used as the initial password when the connection is established for the first time.

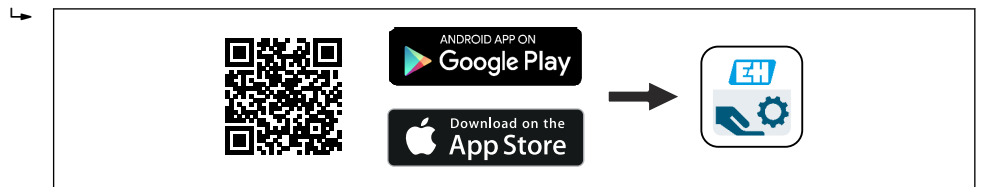
The tall cover with sight glass must be used for devices that are operated with the Bluetooth® module.



A0039040

### 8.5.3 Establishing a connection via SmartBlue app

1. Scan the QR code or enter "SmartBlue" in the search field.



A0039186

 43 [Download link](#)

2. Start SmartBlue.
3. Select device from live list displayed.
4. Log-in:
  - ↳ User name: admin
  - Password: ID number on the Bluetooth® module
5. Tap the icons for more information.




Change the password after logging in for the first time!



It is important to note the following if the Bluetooth® module is removed from one device and installed in another device: All log-in details are only stored in the Bluetooth® module and not in the device. This also applies to the password changed by the user.

**Saving PDF reports**

 The PDF reports generated in the SmartBlue app are not saved automatically and must therefore be actively saved on the smartphone or tablet.

## 9 Operation

### 9.1 Diagnostics menu

The following data can be read out via the optional Bluetooth® module and the associated Endress+Hauser SmartBlue app.

#### 9.1.1 "Diagnostics" menu

Settings and information concerning diagnostics as well as help for troubleshooting

**Diagnostics**

- ▶ **Active diagnostics**
  - Actual diagnostics
  - Timestamp
- ▶ **Diagnostic list**
  - Diagnostics 1
    - Timestamp
  - Diagnostics 2
    - Timestamp
  - Diagnostics 3
    - Timestamp
  - Diagnostics 4
    - Timestamp
  - Diagnostics 5
    - Timestamp

#### 9.1.2 "Application" menu

Functions for detailed process adaptation to integrate the device optimally into your application

**Application**

► Operating mode

MIN/MAX setting

Density setting

Switching delay uncovered to covered

Switching delay covered to uncovered

► Output

Output state

### 9.1.3 "System" menu

System settings concerning device management, user administration or safety

System

Electronic type

► Bluetooth configuration

BLE HW revision

► Information

Device tag

Serial number

Firmware version

Device name

Order code

Manufacturer

Manufacturer ID

ENP version

Operating time

Number of system starts


Time stamp of last proof test
Date of proof test
Frequency at delivery status
Current frequency
Upper alarm frequency
Upper warning frequency
Lower alarm frequency
Battery status
Electronics temperature
Minimum electronics temperature
Maximum electronics temperature

## 9.2 Heartbeat Verification

The "Heartbeat Verification" module contains **Heartbeat Verification** wizard, which verifies the current instrument health and creates the Heartbeat Technology verification report:

- The wizard can be used via the SmartBlue app.
- The wizard guides the user through the entire process for creating the verification report.
- The operating hours counter and minimum/maximum temperature indicator (peakhold) are displayed.
- If the oscillation frequency of the fork increases, a corrosion warning appears.
- The as-delivered state of the oscillation frequency in air is indicated on the verification report. A high oscillation frequency is an indicator of corrosion. A lower oscillation frequency indicates buildup or a sensor covered by the medium. Deviations of the oscillation frequency from the oscillation frequency in the as-delivered state can be caused by the process temperature and process pressure.

## 9.3 Proof testing for SIL/WHG devices

 The proof test is only available for devices with SIL or WHG approval.

The "SIL Proof test" module, the "WHG Proof test" module or the "SIL/WHG Proof test" module contains an **SIL/WHG Prooftest** wizard, which must be performed at appropriate intervals in the following applications: SIL (IEC 61508/IEC 61511), WHG (German Water Resources Act (Gesetz zur Ordnung des Wasserhaushalts)):

- The wizard can be used via the SmartBlue app.
- The wizard guides the user through the entire process for creating the verification report.
- The verification report can be saved as a PDF file.

## 10 Diagnostics and troubleshooting

The device indicates warnings and errors via Bluetooth® wireless technology in the SmartBlue app and via the LEDs on the electronic insert. All the device warnings and errors are for information purposes only and do not have a safety function. The errors diagnosed by the device are displayed in the SmartBlue app in accordance with NE 107. Depending on the diagnostic message, the device behaves in accordance with a warning or error.

The device behaves in accordance with NAMUR Recommendation NE 131 "NAMUR standard device requirements for field devices for standard applications".

If using NAMUR electronics, insert or replace the battery in the Bluetooth® module.

### 10.1 Diagnostic information via LED

#### 10.1.1 LED at electronic insert

##### **LED green not lit**

Possible cause: No power supply

Troubleshooting: Check plug, cable and power supply

##### **LED flashes red**

Possible cause: Overload or short-circuit in load circuit

Troubleshooting: Clear the short-circuit

Reduce maximum load current to below 350 mA

##### **LED red continuously lit**

Possible cause: Internal sensor error or electronic fault

Troubleshooting: Replace device

##### **No LED is lit (only applies for FEL61)**

Possible cause: load current > 3.8 mA in the blocked state

Troubleshooting: replace electronics

#### 10.1.2 SmartBlue

##### **Device is not visible in the live list**

Possible cause: Bluetooth® connection not available

The device is already connected to another smartphone or tablet

Cable for Bluetooth® module not connected

Troubleshooting:

- Connect the Bluetooth® module to the COM interface
- Enable Bluetooth® function on smartphone or tablet
- If using NAMUR electronics, insert or replace the battery in the Bluetooth® module.

##### **Device is visible in the live list but cannot be accessed via SmartBlue**

- Possible cause on Android terminal

Troubleshooting:

- Check whether the location function is enabled for the app
  - Check whether the location function for the app was approved the first time
  - GPS or positioning function must be activated for certain Android versions in conjunction with Bluetooth® wireless technology
  - Activate GPS, close the app fully and restart, enable the positioning function for the app
  - Possible cause on Apple terminal
- Troubleshooting:
- Log in as normal
  - Enter the user name: admin
  - Enter initial password (serial number of Bluetooth® module), paying attention to lower/upper case

**Log-in via SmartBlue not possible**

Possible cause: Device is being put into operation for the first time

Troubleshooting: Enter initial password (ID number of Bluetooth® module) and change it, paying attention to lower/upper case.

**No communication with device via SmartBlue**

- Possible cause: Incorrect password entered  
Troubleshooting: Enter correct password
- Possible cause: Forgotten password  
Troubleshooting: Contact Endress+Hauser Service

## 11 Maintenance


### 11.1 Maintenance tasks

No specific maintenance work is required.

#### 11.1.1 Cleaning

**Cleaning of surfaces not in contact with the medium**

- Recommendation: Use a lint-free cloth that is either dry or slightly dampened using water.
- Do not use any sharp objects or aggressive cleaning agents that corrode the surfaces (displays, housing, for example) and seals.
- Do not use high-pressure steam.
- Observe the degree of protection of the device.

 The cleaning agent used must be compatible with the materials of the device configuration. Do not use cleaning agents with concentrated mineral acids, bases or organic solvents.

**Cleaning of surfaces in contact with the medium**

Note the following for cleaning and sterilization in place (CIP/SIP):

- Use only cleaning agents to which the materials in contact with the medium are sufficiently resistant.
- Observe the permitted maximum medium temperature.

**Cleaning the vibrating fork**

It is not permitted to use the device with abrasive media. Material abrasion on the vibrating fork can result in the device malfunctioning.

- Clean the vibrating fork as necessary
- Cleaning is also possible in the installed state, e.g. CIP Cleaning in Place and SIP Sterilization in Place

## 12 Repair

### 12.1 General notes

#### 12.1.1 Repair concept

Endress+Hauser repair concept

- The devices have a modular design
- Customers can carry out repairs

 For more information on service and spare parts, please contact your Endress+Hauser sales representative.

#### 12.1.2 Repairs to Ex-approved devices

##### **WARNING**

**Incorrect repair can compromise electrical safety!**

Explosion hazard!

- ▶ Only specialist personnel or the manufacturer's service team may carry out repairs on Ex-certified devices in accordance with national regulations.
- ▶ Relevant standards and national regulations on hazardous areas, safety instructions and certificates must be observed.
- ▶ Only use original spare parts from the manufacturer.
- ▶ Please note the device designation on the nameplate. Only identical parts may be used as replacements.
- ▶ Carry out repairs according to the instructions.
- ▶ Only the manufacturer's service team is permitted to modify a certified device and convert it to another certified version.

### 12.2 Spare parts

Product spare parts that are currently available can be found online at:


[www.endress.com/onlinetools](http://www.endress.com/onlinetools)

### 12.3 Return

The requirements for safe device return can vary depending on the device type and national legislation.

1. Refer to the web page for information: <https://www.endress.com>
2. If returning the device, pack the device in such a way that it is reliably protected against impact and external influences. The original packaging provides the best protection.

### 12.4 Disposal

 If required by the Directive 2012/19/EU on waste electrical and electronic equipment (WEEE), the product is marked with the depicted symbol in order to minimize the disposal of WEEE as unsorted municipal waste. Do not dispose of products bearing this marking as unsorted municipal waste. Instead, return them to the manufacturer for disposal under the applicable conditions.

## 12.5 Battery disposal

- The end user is legally obliged to return used batteries
- The end user can return old batteries or electronic assemblies containing these batteries free of charge to Endress+Hauser



In accordance with German law regulating the use of batteries (BattG §28 Para 1 Number 3), this symbol is used to denote electronic assemblies that must not be disposed of as household waste.

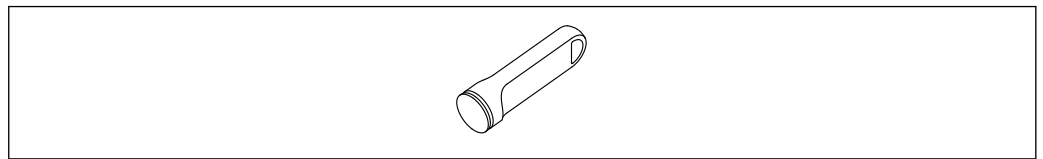
## 13 Accessories

The accessories currently available for the product can be selected at [www.endress.com](http://www.endress.com):

1. Select the product using the filters and search field.
2. Open the product page.
3. Select **Spare parts & Accessories**.

### 13.1 Test magnet

Order number: 71437508



A0039209

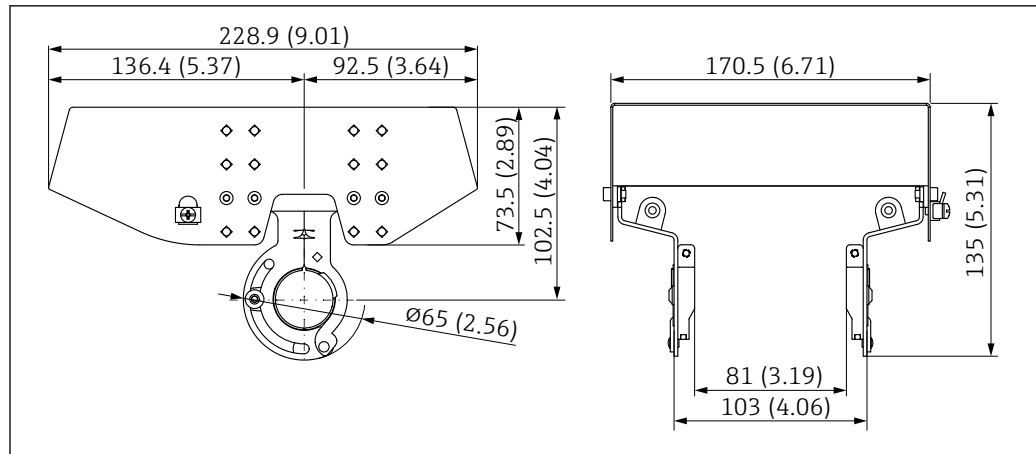
44 Test magnet

### 13.2 Protective cover: 316L, XW112

The weather protection cover can be ordered together with the device via the "Accessory enclosed" product structure.

It is used to protect against direct sunlight, precipitation and ice.

The 316L protective cover is suitable for dual-compartment housings made of aluminum. The delivery includes the holder for direct mounting on the housing



A0039231

45 Dimensions of protective cover, 316 L, XW112. Unit of measurement mm (in)

### Material

- Protective cover: 316L
- Clamping screw: A4
- Holder: 316L

### Accessory order code:

71438303

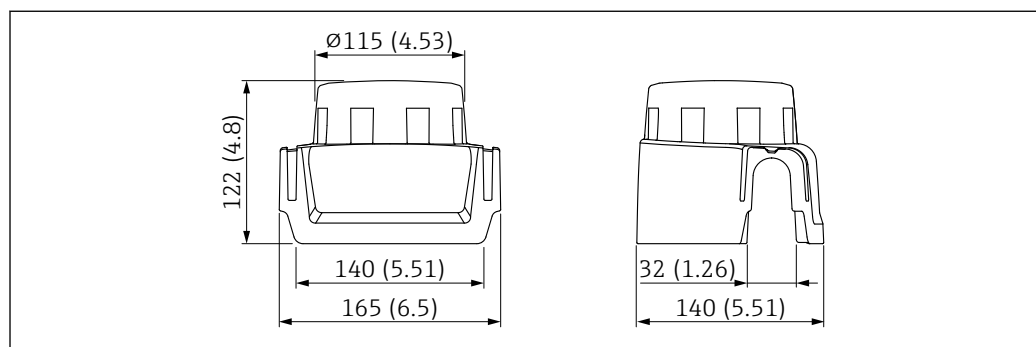
 Special Documentation SD02424F

## 13.3 Protective cover, plastic, XW111

The weather protection cover can be ordered together with the device via the "Accessory enclosed" product structure.

It is used to protect against direct sunlight, precipitation and ice.

The plastic weather protection cover is suitable for single-compartment housings made of aluminum or 316L. The delivery includes the holder for direct mounting on the housing.



A0038280

46 Dimensions of protective cover, plastic, XW111. Unit of measurement mm (in)

### Material

Plastic

### Accessory order code:

71438291

 Special Documentation SD02423F

## 13.4 M12 socket

**i** The M12 sockets listed are suitable for use in the temperature range  $-25$  to  $+70$  °C ( $-13$  to  $+158$  °F).

### M12 socket IP69

- Terminated at one end
- Angled
- 5 m (16 ft) PVC cable (orange)
- Slotted nut 316L (1.4435)
- Body: PVC
- Order number: 52024216

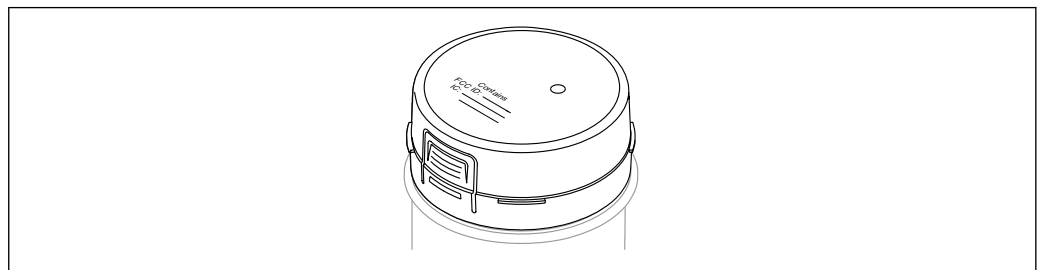
### M12 socket IP67

- Angled
- 5 m (16 ft) PVC cable (gray)
- Slotted nut Cu Sn/Ni
- Body: PUR
- Order number: 52010285

## 13.5 Bluetooth® module VU121 (optional)

The Bluetooth® module can be connected via the COM interface to the following electronic inserts: FEL61, FEL62, FEL64, FEL64DC, FEL67, FEL68 (2-wire NAMUR).

- Bluetooth® module without battery for use in conjunction with electronic inserts FEL61, FEL62, FEL64, FEL64DC and FEL67  
Order number: 71437383
- Bluetooth® module with battery for use in conjunction with electronic insert FEL68 (2-wire NAMUR)  
Order number: 71437381



**i** 47 Bluetooth® module VU121

A0039257

**i** More detailed information and documentation are available:

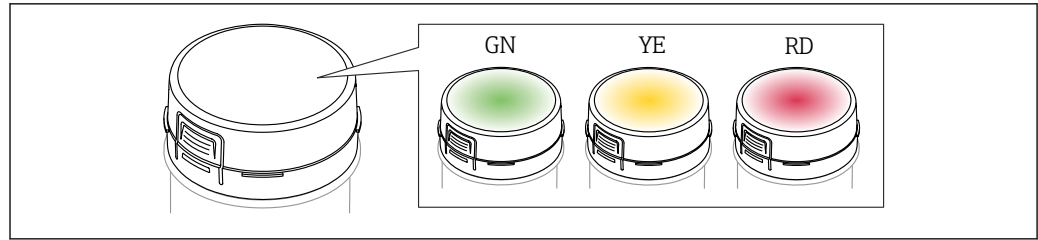
- Product Configurator on the Endress+Hauser website [www.endress.com](http://www.endress.com)
- Endress+Hauser Sales Organization [www.addresses.endress.com](http://www.addresses.endress.com)

**i** A tall cover is required (transparent plastic cover/cover with sight glass or aluminum cover with sight glass) when using or retrofitting the Bluetooth® module. The Bluetooth® module cannot be used in conjunction with the 316L single-compartment housing. The cover depends on the housing and approval of the device.

## 13.6 LED module VU120 (optional)

A brightly lit LED indicates the operational status (switch status or alarm status). The LED module can be connected to the following electronic inserts: FEL62, FEL64, FEL64DC.

Order number: 71437382



A0043925

48 LED module, the LED lights up in green (GN), yellow (YE) or red (RD)

More detailed information and documentation are available:

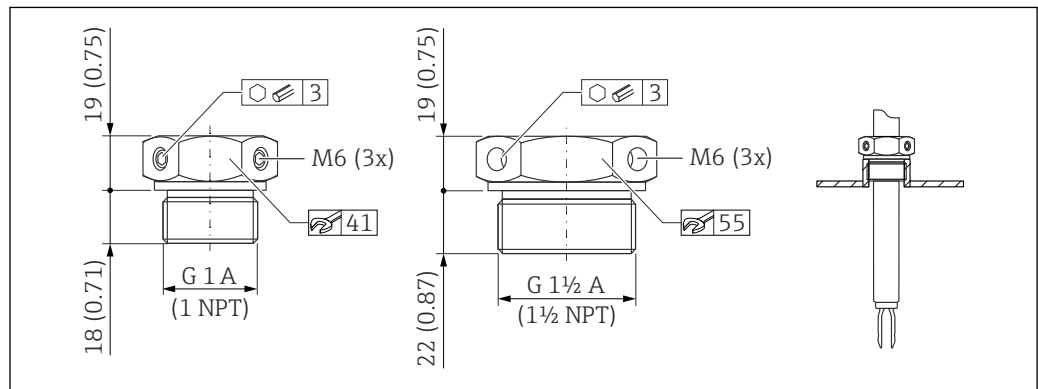
- Product Configurator on the Endress+Hauser website [www.endress.com](http://www.endress.com)
- Endress+Hauser sales organization [www.addresses.endress.com](http://www.addresses.endress.com)

**i** A tall cover is required (transparent plastic cover/cover with sight glass or aluminum cover with sight glass) for using and retrofitting the LED module. The LED module cannot be used in conjunction with the single compartment 316L housing. The cover depends on the housing and approval of the device.

### 13.7 Sliding sleeves for unpressurized operation

**i** Not suitable for use in explosive atmospheres.

Switch point, infinitely adjustable.



A0037666

49 Sliding sleeves for unpressurized operation  $p_e = 0$  bar (0 psi). Unit of measurement mm (in)

G 1, DIN ISO 228/1

- Material: 1.4435 (AISI 316L)
- Weight: 0.21 kg (0.46 lb)
- Order number: 52003978
- Order number: 52011888, approval: with inspection certificate EN 10204 - 3.1 material

NPT 1, ASME B 1.20.1


- Material: 1.4435 (AISI 316L)
- Weight: 0.21 kg (0.46 lb)
- Order number: 52003979
- Order number: 52011889, approval: with inspection certificate EN 10204 - 3.1 material

G 1 1/2, DIN ISO 228/1

- Material: 1.4435 (AISI 316L)
- Weight: 0.54 kg (1.19 lb)
- Order number: 52003980
- Order number: 52011890, approval: with inspection certificate EN 10204 - 3.1 material


NPT 1½, ASME B 1.20.1

- Material: 1.4435 (AISI 316L)
- Weight: 0.54 kg (1.19 lb)
- Order number: 52003981
- Order number: 52011891, approval: with inspection certificate EN 10204 - 3.1 material

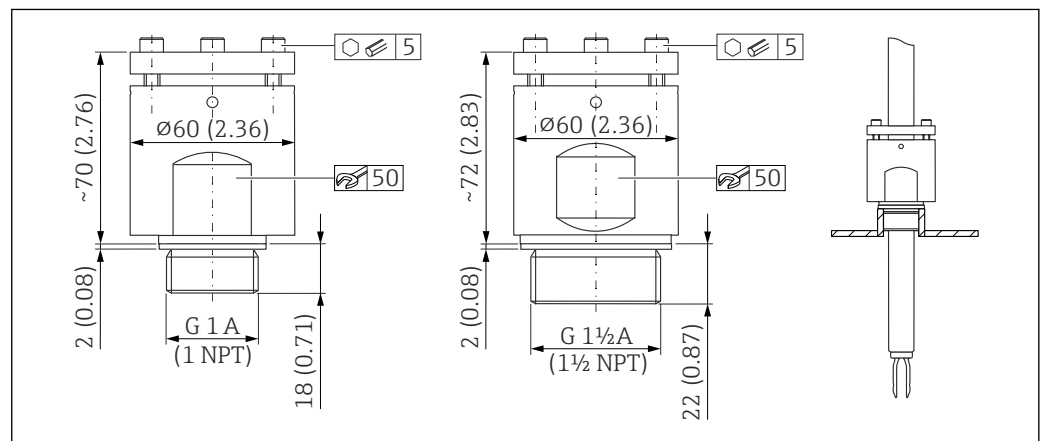
 More detailed information and documentation are available:

- Product Configurator on the Endress+Hauser website [www.endress.com](http://www.endress.com)
- Endress+Hauser Sales Organization [www.addresses.endress.com](http://www.addresses.endress.com)

## 13.8 High pressure sliding sleeves

 Suitable for use in explosive atmospheres.

- Switch point, infinitely adjustable
- Seal package made of graphite
- Graphite seal available as spare part 71078875
- For G 1, G 1½: seal is included in the delivery



 50 High pressure sliding sleeves. Unit of measurement mm (in)

G 1, DIN ISO 228/I

- Material: 1.4435 (AISI 316L)
- Weight: 1.13 kg (2.49 lb)
- Order number: 52003663
- Order number: 52011880, approval: with inspection certificate EN 10204 - 3.1 material

G 1, DIN ISO 228/I

- Material: AlloyC22
- Weight: 1.13 kg (2.49 lb)
- Approval: with inspection certificate EN 10204 - 3.1 material
- Order number: 71118691

NPT 1, ASME B 1.20.1

- Material: 1.4435 (AISI 316L)
- Weight: 1.13 kg (2.49 lb)
- Order number: 52003667
- Order number: 52011881, approval: with inspection certificate EN 10204 - 3.1 material

NPT 1, ASME B 1.20.1

- Material: AlloyC22
- Weight: 1.13 kg (2.49 lb)
- Approval: with inspection certificate EN 10204 - 3.1 material
- Order number: 71118694

G 1½, DIN ISO 228/1

- Material: 1.4435 (AISI 316L)
- Weight: 1.32 kg (2.91 lb)
- Order number: 52003665
- Order number: 52011882, approval: with inspection certificate EN 10204 - 3.1 material

G 1½, DIN ISO 228/1


- Material: AlloyC22
- Weight: 1.32 kg (2.91 lb)
- Approval: with inspection certificate EN 10204 - 3.1 material
- Order number: 71118693

NPT 1½, ASME B 1.20.1

- Material: 1.4435 (AISI 316L)
- Weight: 1.32 kg (2.91 lb)
- Order number: 52003669
- Order number: 52011883, approval: with inspection certificate EN 10204 - 3.1 material

NPT 1½, ASME B 1.20.1

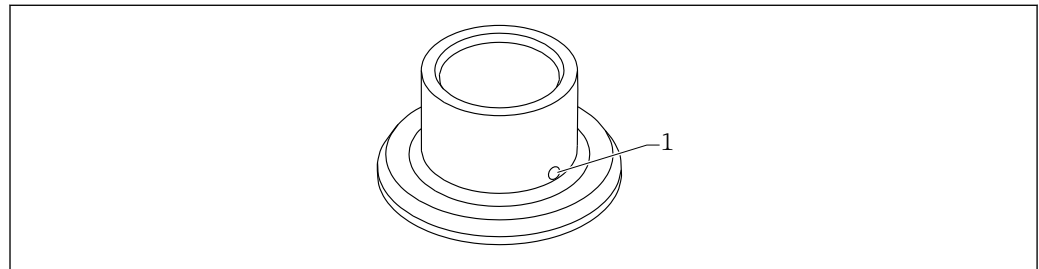
- Material: AlloyC22
- Weight: 1.32 kg (2.91 lb)
- Approval: with inspection certificate EN 10204 - 3.1 material
- Order number: 71118695

 More detailed information and documentation are available:


- Product Configurator on the Endress+Hauser website [www.endress.com](http://www.endress.com)
- Endress+Hauser sales organization [www.addresses.endress.com](http://www.addresses.endress.com)

## 13.9 Weld-in adapter

Various weld-in adapters are available for installation in vessels or pipes. The adapters are optionally available with inspection certificate 3.1 EN 10204.




A0023557

 51 *Weld-in adapter (sample view)*

1 *Leakage hole*

Weld in the weld-in adapter in such a way that the leakage hole is pointing downwards. This enables any leaks to be detected quickly.

- G 1, Ø53 mounting on the pipe
- G 1, Ø60 flush mount on the vessel
- G ¾, Ø55 flush mount
- G 1 sensor adjustable

 For detailed information, see "Technical Information" TI00426F (Weld-in adapters, process adapters and flanges)

Available in the Downloads area of the Endress+Hauser website ([www.endress.com/downloads](http://www.endress.com/downloads)).

## 14 Technical data

### 14.1 Input

#### 14.1.1 Measured variable

The point level signal is triggered according to the operating mode (minimum or maximum detection) when the level exceeds or falls below the relevant point level.

#### 14.1.2 Measuring range

Depends on the installation location and the pipe extension ordered  
Maximum sensor length 6 m (20 ft)

### 14.2 Output

#### 14.2.1 Output and input variants

##### Electronic inserts

##### 2-wire AC (FEL61)

- Two-wire alternating current version
- Switches the load directly in the power supply circuit via an electronic switch

##### 3-wire DC PNP (FEL62)

- Three-wire direct current version
- Switches the load via the transistor (PNP) and separate connection, e.g. in conjunction with programmable logical controllers (PLC)
- Ambient temperature  $-60\text{ °C}$  ( $-76\text{ °F}$ ), optionally available to order  
Low-temperature electronic inserts are marked LT

##### Universal current connection, relay output (FEL64)

- Switches the loads via two potential-free change-over contacts
- Ambient temperature  $-60\text{ °C}$  ( $-76\text{ °F}$ ), optionally available to order  
Low-temperature electronic inserts are marked LT

##### Direct current connection, relay output (FEL64DC)

- Switches the load via two potential-free change-over contacts
- Ambient temperature  $-60\text{ °C}$  ( $-76\text{ °F}$ ), optionally available to order  
Low-temperature electronic inserts are marked LT

##### PFM output (FEL67)

- For separate switching unit (Nivotester FTL325P, FTL375P)
- PFM signal transmission; current pulses are superimposed on the power supply along the two-wire cabling
- Ambient temperature  $-50\text{ °C}$  ( $-58\text{ °F}$ ), optionally available to order  
The low-temperature electronic inserts are marked LT

##### 2-wire NAMUR $> 2.2\text{ mA}/< 1.0\text{ mA}$ (FEL68)

- For separate switching unit, e.g. Nivotester FTL325N
- Signal transmission H-L edge  $2.2$  to  $3.8/0.4$  to  $1.0\text{ mA}$  as per IEC 60917-5-6 (NAMUR) on two-wire cable
- Ambient temperature  $-50\text{ °C}$  ( $-58\text{ °F}$ ), optionally available to order  
Low-temperature electronic inserts are marked LT

## 14.2.2 Output signal

### Switching output

Preset switching delay times can be ordered:

- 0.5 s when the vibrating fork is covered and 1.0 s when it is uncovered (factory setting)
- 0.25 s when the vibrating fork is covered and 0.25 s when it is uncovered
- 1.5 s when the vibrating fork is covered and 1.5 s when it is uncovered
- 5.0 s when the vibrating fork is covered and 5.0 s when it is uncovered

### COM interface

For connecting to modules VU120 or VU121 (no modifying effect)

*Bluetooth® wireless technology (optional)*

The device has a Bluetooth® interface. Device data and diagnostic data can be read out using the free SmartBlue app.

## 14.2.3 Ex connection data

See safety instructions (XA): All data relating to explosion protection are provided in separate Ex documentation and are available from the Downloads area of the Endress+Hauser website. The Ex documentation is supplied as standard with all devices approved for use in explosion hazardous areas.

## 14.3 Environment

### 14.3.1 Ambient temperature range

#### **WARNING**

#### **Permitted connection voltage exceeded!**

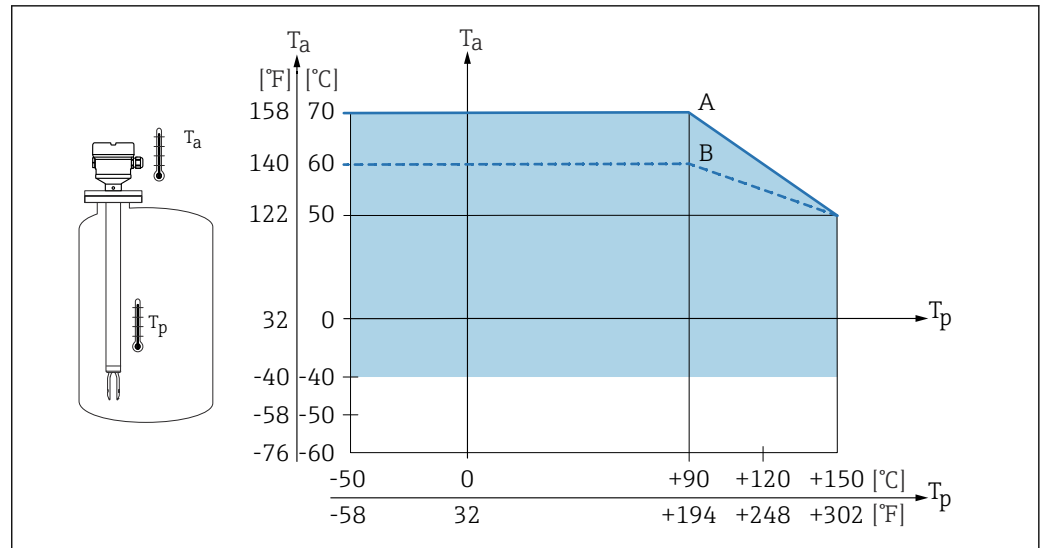
- ▶ For electrical safety reasons, the maximum connection voltage for all electronic inserts at ambient temperatures below  $-40\text{ °C}$  ( $-40\text{ °F}$ ) is limited to a maximum of 35 V DC.

$-40\text{ to }+70\text{ °C}$  ( $-40\text{ to }+158\text{ °F}$ )

Optionally available to order::

- $-50\text{ °C}$  ( $-58\text{ °F}$ ) with restricted operating life and performance
- $-60\text{ °C}$  ( $-76\text{ °F}$ ) with restricted operating life and performance
- 📘 Below  $-50\text{ °C}$  ( $-58\text{ °F}$ ): Devices can be permanently damaged

The minimum permitted ambient temperature of the plastic housing is limited to  $-20\text{ °C}$  ( $-4\text{ °F}$ ); 'indoor use' applies to North America.



52 Permitted ambient temperature  $T_a$  at the housing as a function of the process temperature  $T_p$  in the vessel:

A Device without LED module; at FEL64 and process temperature  $T_p > 90$  °C: Max. load current 4 A

B Device with LED module; at FEL64 and process temperature  $T_p > 90$  °C: Max. load current 2 A

For devices with a temperature spacer, the following ambient temperatures apply across the entire process temperature range:

A: 70 °C (158 °F)

B: 60 °C (140 °F)

- Low temperatures are not possible for SIL
- Bluetooth® module:
  - -50 °C (-58 °F) for non-Ex, Ex ia and Ex d
  - -60 °C (-76 °F) for non-Ex
- LED module:
  - -50 °C (-58 °F) for non-Ex, Ex ia and Ex d
  - -60 °C (-76 °F) for non-Ex

Outdoor operation in strong sunlight:

- Mount the device in a shaded location
- Avoid direct sunlight, particularly in warmer climatic regions
- Use a protective cover, which can be ordered as an accessory

#### Hazardous area

In the hazardous area, the permitted ambient temperature can be limited depending on the zones and gas groups. Pay attention to the information in the Ex documentation (XA).

#### 14.3.2 Storage temperature

-40 to +80 °C (-40 to +176 °F)

Optional: -50 °C (-58 °F), -60 °C (-76 °F)

#### 14.3.3 Humidity

Operation up to 100 %. Do not open in a condensing atmosphere.

#### 14.3.4 Operating altitude

As per IEC 61010-1 Ed.3:

- Up to 2 000 m (6 600 ft) above sea level
- Can be extended to 3 000 m (9 800 ft) above sea level if overvoltage protection is used

### 14.3.5 Climate class

As per IEC 60068-2-38 test Z/AD

### 14.3.6 Degree of protection

Testing according to IEC 60529 and NEMA 250

IP68 test condition: 1.83 m H<sub>2</sub>O for 24 h

#### Housing

See cable entries

#### Cable entries

- M20 coupling, plastic, IP66/68 NEMA Type 4X/6P
- M20 coupling, nickel-plated brass, IP66/68 NEMA Type 4X/6P
- M20 coupling, 316L, IP66/68 NEMA Type 4X/6P
- M20 thread, IP66/68 NEMA Type 4X/6P
- G ½ thread, NPT ½, NPT ¾ IP66/68 NEMA Type 4X/6P


Degree of protection for M12 plug

- When housing is closed and connection cable is plugged in: IP66/67 NEMA Type 4X
- When housing is open or connection cable is not plugged in: IP20, NEMA Type 1

#### NOTICE

#### M12 plug: Loss of IP protection class due to incorrect installation!

- ▶ The degree of protection only applies if the connecting cable used is plugged in and screwed tight.
- ▶ The degree of protection only applies if the connecting cable used is specified according to IP67 NEMA Type 4X.

 If the "M12 plug" option is selected as the electrical connection, **IP66/67 NEMA Type 4X** applies for all housing types.

### 14.3.7 Vibration resistance

As per IEC 60068-2-64-2008

$a(\text{RMS}) = 50 \text{ m/s}^2$ ,  $f = 5 \text{ to } 2\,000 \text{ Hz}$ ,  $t = 3 \text{ axes} \times 2 \text{ h}$

For increased oscillations or vibrations, the following additional option is recommended: feature "Application", version "B" 100 bar (1 450 psi) process pressure.

### 14.3.8 Shock resistance

As per IEC 60068-2-27-2008:  $300 \text{ m/s}^2 [= 30 g_n] + 18 \text{ ms}$

$g_n$ : standard acceleration of gravity

### 14.3.9 Mechanical load


Support the device in the event of severe dynamic load. Maximum lateral loading capacity of the pipe extensions and sensors: 75 Nm (55 lbf ft).

 For more details, see the "Supporting the device" section.

### 14.3.10 Pollution degree

Pollution degree 2


### 14.3.11 Electromagnetic compatibility (EMC)

- Electromagnetic compatibility as per the EN 61326 series and NAMUR Recommendation EMC (NE 21)  
Interference immunity according to Table 2 (Industrial), interference radiation according to Group 1 Class B
  - Fulfills the requirements of functional safety (SIL) in accordance with EN 61326-3-1-x
-  For more details, refer to the EU Declaration of Conformity.

## 14.4 Process

### 14.4.1 Process temperature range

−50 to +150 °C (−58 to +302 °F)

Observe pressure and temperature dependency,  see the "Process pressure range of the sensors" section.

### 14.4.2 Thermal shock

≤ 120 K/s

### 14.4.3 Process pressure range

−1 to +64 bar (−14.5 to 928 psi) for a maximum of 150 °C (302 °F)

Optionally available for pipe extension and short pipe version:  
100 bar (1 450 psi) for a maximum of 150 °C (302 °F)

-  The maximum pressure for the device depends on the lowest-rated element with regard to pressure.

Components are: process connection, optional mounting parts, or accessories.


#### WARNING

#### **Incorrect design or use of the device may lead to bursting parts!**

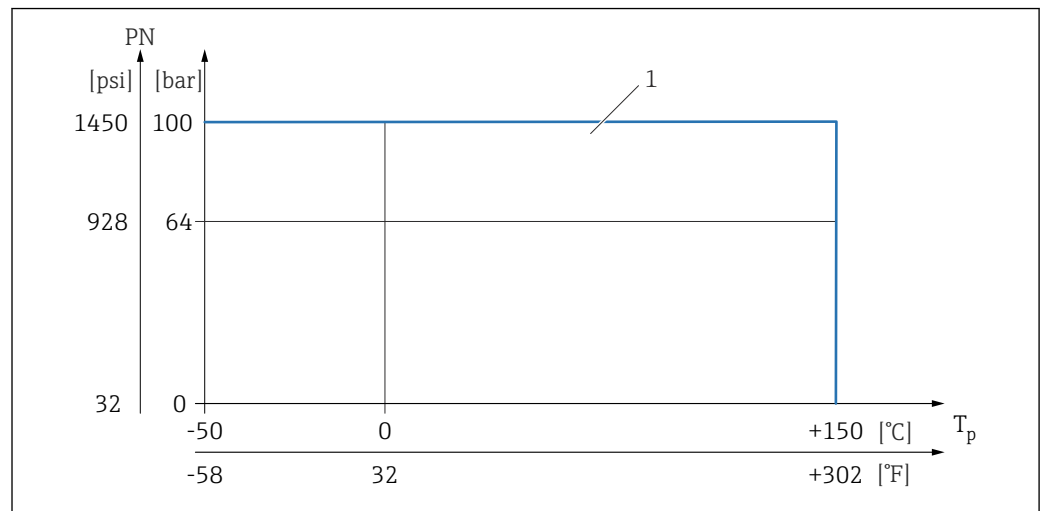
This may result in severe, possibly irreversible injury to persons and environmental hazards.

- ▶ Only operate the device within the specified limits for the components!
- ▶ MWP (maximum working pressure): The maximum working pressure is specified on the nameplate. This value refers to a reference temperature of +20 °C (+68 °F) and may be applied to the device for an unlimited time. Observe the temperature dependency of the maximum working pressure. For higher temperatures, refer to the following standards for the permitted pressure values for flanges: EN 1092-1 (materials 1.4435 and 1.4404 are identical with regard to their stability/temperature property and are grouped together in under 13E0 in EN 1092-1 Tab. 18; the chemical composition of the two materials can be identical), ASME B 16.5a, JIS B 2220 (the latest version of the standard applies in each case).
- ▶ The Pressure Equipment Directive (2014/68/EU) uses the abbreviation "PS". The abbreviation "PS" corresponds to the maximum working pressure of the device.
- ▶ MWP data that deviate from this are provided in the relevant sections of the Technical Information.

The lowest value from the derating curves of the device and of the selected flange applies in each case.

-  Devices with CRN approval: maximum 90 bar (1 305 psi) for devices with a pipe extension Information on the Endress+Hauser website: [www.endress.com](http://www.endress.com) → Downloads.

### Process pressure range of the sensors



1 Permissible pressure rating with the "Application" feature selected in the Product Configurator, version "100 bar (1 450 psi)". Exceptions: see "Process connections" section. Canadian CRN approval: The maximum permitted process pressure is limited to 90 bar (1 305 psi) only in combination with the CRN approval. More details on the maximum pressure values are available in the download area of the product page under "www.endress.com".

#### 14.4.4 Overpressure limit

- PN = 64 bar (928 psi): overpressure limit = 1.5·PN maximum 100 bar (1 450 psi) depending on process connection selected
- Membrane burst pressure at 200 bar (2 900 psi)
- PN = 100 bar (1 450 psi): overpressure limit = 1.5·PN maximum 150 bar (2 175 psi) depending on process connection selected
- Membrane burst pressure at 400 bar (5 800 psi)

The device function is limited during the pressure test.

The mechanical integrity is guaranteed at pressures up to 1.5 times the process nominal pressure (PN).

#### 14.4.5 Medium density

##### Liquids with density > 0.7 g/cm<sup>3</sup> (43.7 lb/ft<sup>3</sup>)

Switch position > 0.7 g/cm<sup>3</sup> (43.7 lb/ft<sup>3</sup>), as-delivered state

##### Liquids with density 0.5 g/cm<sup>3</sup> (31.2 lb/ft<sup>3</sup>)

Switch position > 0.5 g/cm<sup>3</sup> (31.2 lb/ft<sup>3</sup>), can be configured via DIP switch

##### Liquids with density > 0.4 g/cm<sup>3</sup> (25.0 lb/ft<sup>3</sup>)


- Optionally available to order
  - SIL for defined media and process parameters on request
  - Fixed value that cannot be changed
- The function of the DIP switch is interrupted

#### 14.4.6 Viscosity

≤ 10 000 mPa·s

#### 14.4.7 Pressure tightness

Up to vacuum

 In vacuum evaporation plants, select the 0.4 g/cm<sup>3</sup> (25.0 lb/ft<sup>3</sup>)/ density setting.

### 14.4.8 Solids contents

$\varnothing \leq 5 \text{ mm}$  (0.2 in)

## 14.5 Additional technical data



Technical Information TI01403F.

Current Technical Information: Endress+Hauser website: [www.endress.com](http://www.endress.com) → Downloads.



71726572

[www.addresses.endress.com](http://www.addresses.endress.com)

---