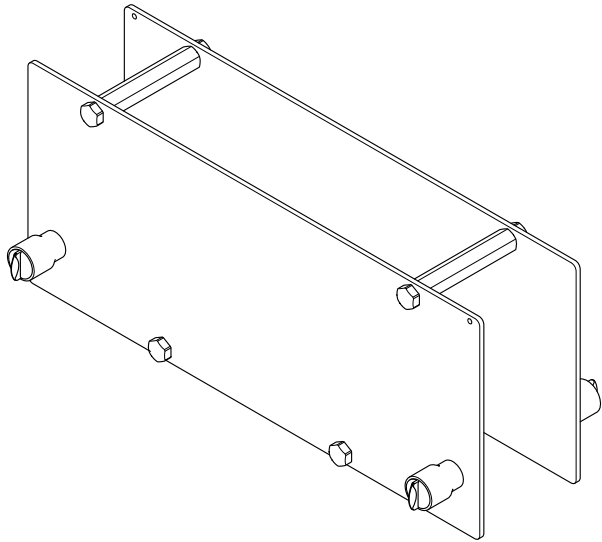


Special Documentation

Heating jacket

For Promass H Coriolis flowmeters



- Make sure the document is stored in a safe place such that it is always available when working on or with the device.
- To avoid danger to individuals or the facility, read the "Basic safety instructions" section carefully, as well as all other safety instructions in the document that are specific to working procedures.
- The manufacturer reserves the right to modify technical data without prior notice. Your Endress+Hauser Sales Center will supply you with current information and updates to these instructions.

Table of contents

| | | |
|----------|---|-----------|
| 1 | Document information | 4 |
| 1.1 | Document function | 4 |
| 1.2 | Symbols used | 4 |
| 1.3 | Documentation | 5 |
| 2 | Basic safety instructions | 6 |
| 3 | Product description | 7 |
| 3.1 | Product design | 7 |
| 3.2 | Can be used for the following sensors ... | 7 |
| 3.3 | Availability | 7 |
| 4 | Incoming acceptance and product identification | 8 |
| 4.1 | Incoming acceptance | 8 |
| 4.2 | Product identification | 9 |
| 5 | Storage and transport | 10 |
| 5.1 | Storage conditions | 10 |
| 5.2 | Transporting the product | 11 |
| 5.3 | Packaging disposal | 11 |
| 6 | Installation | 11 |
| 6.1 | Installation conditions | 11 |
| 6.2 | Installing the heating jacket | 12 |
| 6.3 | Post-installation check | 14 |
| 7 | Connecting to the heating system | 14 |
| 7.1 | Connecting the heating jacket | 15 |
| 7.2 | Installing the valve | 15 |
| 8 | Repair | 16 |
| 8.1 | General notes | 16 |
| 8.2 | Spare parts | 17 |
| 8.3 | Endress+Hauser services | 17 |
| 8.4 | Return | 17 |
| 8.5 | Disposal | 17 |
| 9 | Technical data | 18 |





1 Document information

1.1 Document function


This manual is Special Documentation and describes how to install the heating jacket (device).

1.2 Symbols used






1.2.1 Safety symbols

| Symbol | Meaning |
|---|--|
|  | DANGER! This symbol alerts you to a dangerous situation. Failure to avoid this situation will result in serious or fatal injury. |
|  | WARNING! This symbol alerts you to a dangerous situation. Failure to avoid this situation can result in serious or fatal injury. |
|  | CAUTION! This symbol alerts you to a dangerous situation. Failure to avoid this situation can result in minor or medium injury. |
|  | NOTE! This symbol contains information on procedures and other facts which do not result in personal injury. |

1.2.2 Tool symbols

| Symbol | Meaning |
|---|-------------------|
|  | Open-ended wrench |

1.2.3 Symbols for certain types of Information

| Symbol | Meaning |
|--|---|
|  | Tip Indicates additional information. |
|  | Reference to documentation |
|  | Reference to page |
|  | Reference to graphic |
|  | Notice or individual step to be observed |

| Symbol | Meaning |
|------------|------------------|
| 1, 2, 3... | Series of steps |
| ↳ | Result of a step |

1.2.4 Symbols in graphics

| Symbol | Meaning |
|--------------|---------------------------------|
| 1, 2, 3, ... | Item numbers |
| 1, 2, 3, ... | Series of steps within an image |

1.3 Documentation

Detailed information about the measuring device can be found in the Operating Instructions and other documentation:

- On the CD-ROM supplied (not included in the delivery for all device versions).
- Available for all device versions via:
 - Internet: www.endress.com/deviceviewer
 - Smart phone/tablet: *Endress+Hauser Operations App*

1.3.1 Standard documentation

Technical Information

| Measuring device | Product root | Documentation code |
|------------------|----------------|--------------------|
| Promass 80H, 83H | 80H**-, 83H**- | TI00074D |
| Promass H 100 | 8H1B**- | TI01106D |
| Promass H 300 | 8H3B**- | TI01273D |
| Promass H 500 | 8H5B**- | TI01283D |

Operating Instructions

| Measuring device | Product root | Documentation code | |
|------------------|--------------|--------------------|-------------|
| | | HART | PROFIBUS PA |
| Promass 80H | 80H**- | BA00057D | BA00072D |

| Measuring device | Product root | Documentation code | | | |
|------------------|--------------|--------------------|---------------------|----------------|--------------|
| | | HART | FOUNDATION Fieldbus | PROFIBUS DP/PA | Modbus RS485 |
| Promass 83H | 83H**- | BA00059D | BA00065D | BA00063D | BA00107D |

| Measuring device | Product root | Documentation code | | | | |
|------------------|--------------|--------------------|-------------|--------------|-------------|----------|
| | | HART | PROFIBUS DP | Modbus RS485 | EtherNet/IP | PROFINET |
| Promass H 100 | 8H1B**- | BA01189D | BA01250D | BA01177D | BA01184D | BA01428D |

| Measuring device | Product root | Documentation code | | | | | |
|------------------|--------------|--------------------|---------------------|-------------|--------------|-------------|----------|
| | | HART | FOUNDATION Fieldbus | PROFIBUS PA | Modbus RS485 | EtherNet/IP | PROFINET |
| Promass H 300 | 8H3B**- | BA01486D | BA01519D | BA01508D | BA01497D | BA01729D | BA01740D |
| Promass H 500 | 8H5B**- | BA01530D | BA01563D | BA01552D | BA01541D | BA01751D | BA01762D |

2 Basic safety instructions

The heating jacket described in this manual is an accessory.

The heating jacket is designed to maintain a stable temperature in the sensor.

Application

To ensure that the heating jacket remains in proper condition for the operating time:

- ▶ Keep within the specified pressure and temperature range.
- ▶ Check the range of application on the nameplate of the heating jacket and measuring device.
- ▶ Keep within the range of application specified on the nameplates.
- ▶ Observe the technical data in accordance with this manual and the measuring device documentation.

Combination with measuring devices

- ▶ Do not combine the heating jacket with sensors that are fitted with a rupture disk or rinse connections.
- ▶ Use preferably a remote version of the transmitter and sensor.
- ▶ In hazardous areas, take precautions to ensure that the maximum permitted ambient temperature is not exceeded.

Heating medium

- ▶ If the temperature of the fluid and of the heating medium are very high, use the high-temperature version of the remote version.
- ▶ Use water, water vapor and other non-corrosive liquids as the heating medium.
- ▶ If using oil as the heating medium, please contact your Sales Center.
- ▶ Avoid using polluted heating media or calciferous water.

⚠ CAUTION**Hot surfaces!**

Touching hot surfaces on the heating jacket and on the supply and discharge lines will cause burns.

- ▶ Wear protective equipment.
- ▶ Insulate the heating jacket and the supply and discharge lines.
- ▶ When removing insulation, observe cooling time.

Incorrect use

Non-designated use can compromise safety. The manufacturer is not liable for damage caused by improper or non-designated use.

Product safety

This device is designed in accordance with good engineering practice to meet state-of-the-art safety requirements, has been tested, and left the factory in a condition in which it is safe to operate.

The device fulfills general safety requirements and legal requirements. It also complies with the EU directives listed in the device-specific EU Declaration of Conformity.

3 Product description

3.1 Product design

The heating jacket comprises two half-shells.

3.2 Can be used for the following sensors

Option HA, "Promass H"

- Promass 80H
- Promass 83H
- Promass H 100
- Promass H 300
- Promass H 500

3.3 Availability

The accessory is optionally available to order with the measuring device.

3.3.1 Ordering with measuring device

Order code for measuring device

Different options can be ordered using order code 620 for "Accessory enclosed":

- Option RB "Heating jacket, R 1/2" internal thread"
- Option RC "Heating jacket, R 3/4" internal thread"
- Option RD "Heating jacket, NPT 1/2" internal thread"
- Option RE "Heating jacket, NPT 3/4" internal thread"

3.3.2 Upgrade without measuring device

The accessory can also be ordered separately and at a later stage without the measuring device.




Order code DK8003

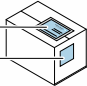
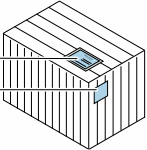
Different options can be ordered using order code 020 for "Sensor":

Option HA "Promass H"

4 Incoming acceptance and product identification

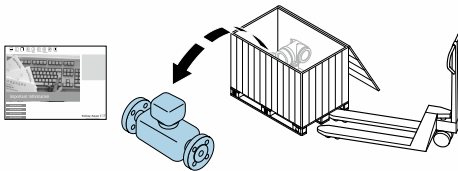
4.1 Incoming acceptance



  

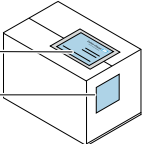
1 —  

2 —

Are the order codes on the delivery note (1) and the product sticker (2) identical?




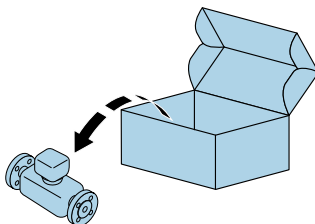
 

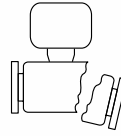
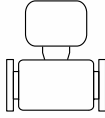
1 — 

2 —

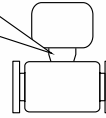
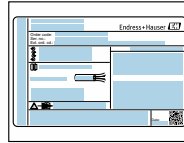
Are the order codes on the delivery note (1) and the product sticker (2) identical?







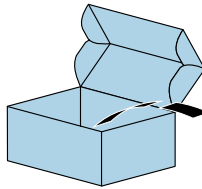
Are the goods undamaged?



Do the nameplate data match the ordering information on the delivery note?



Is the document folder present with accompanying documents?
Is the optional CD-ROM with the Technical Documentation present?



Is the accompanying safety data sheet present?

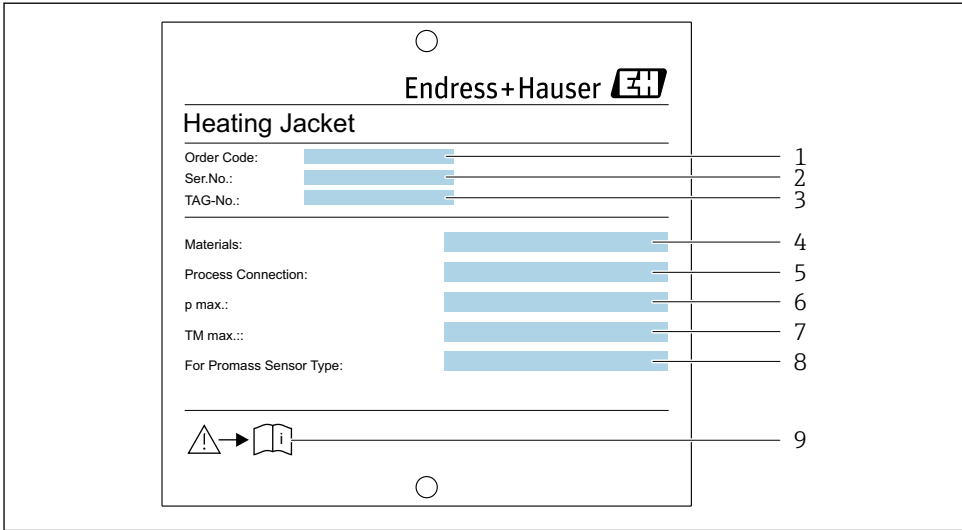


- If one of the conditions is not satisfied, contact your Endress+Hauser Sales Center.
- Depending on the device version, the CD-ROM might not be part of the delivery! The Technical Documentation is available via the Internet or via the *Endress+Hauser Operations App*.

4.2 Product identification

The following options are available for identification of the device:

- Nameplate specifications
- Order code with breakdown of the device features on the delivery note
- Enter serial numbers from nameplates in the *W@M Device Viewer* (www.endress.com/deviceviewer): All information about the device is displayed.
- Enter the serial number from nameplates in the *Endress+Hauser Operations App* or scan the 2-D matrix code (QR code) on the nameplate using the *Endress+Hauser Operations App*: All information about the device is displayed.



A0035574

1 Nameplate

- 1 Order code
- 2 Serial number (ser. no.)
- 3 Device tag
- 4 Material
- 5 Process connection
- 6 Maximum permitted pressure (heating fluid)
- 7 Maximum permitted temperature (heating fluid): Observe maximum permitted temperature of sensor.
- 8 Associated sensor
- 9 Approval information regarding explosion protection and document number of safety-related supplementary documentation

5 Storage and transport

5.1 Storage conditions

Observe the following notes for storage:

- ▶ Store in the original packaging to ensure protection from shock.
- ▶ Do not remove protection caps mounted on couplings. They prevent dirt from entering the pipe of the heating jacket.
- ▶ Store in a dry and dust-free place.
- ▶ Do not store outdoors.

Storage temperature: -50 to +80 °C (-58 to +176 °F)

5.2 Transporting the product

Transport the device to the measuring point in the original packaging.

- ▶ Do not remove protection caps mounted on couplings.
 - ↳ They prevent dirt from entering the pipe of the heating jacket.

5.3 Packaging disposal

All packaging materials are environmentally friendly and 100 % recyclable:

- Outer packaging of device
 - Polymer stretch film that conforms to EC Directive 2002/95/EC (RoHS)
- Packaging
 - Wooden crate treated in accordance with ISPM 15 standard, confirmed by IPPC logo
 - Cardboard box in accordance with European packaging guideline 94/62EC, recyclability confirmed by Resy symbol
- Carrying and securing materials
 - Disposable plastic pallet
 - Plastic straps
 - Plastic adhesive strips
- Filler material
 - Paper pads

6 Installation

6.1 Installation conditions

6.1.1 Mounting position

The mounting location of the heating jacket depends on the mounting location of the measuring device.



For detailed information on the mounting location, see the Operating Instructions for the measuring device.

6.1.2 Requirements from environment and process

Ambient temperature range

NOTICE


The measuring electronics will overheat if the maximum permitted ambient temperatures are not observed!

- ▶ Choose an orientation for the sensor and heating jacket that ensures that the maximum permitted ambient temperature for the measuring electronics is not exceeded.
- ▶ Depending on the version of the measuring device, observe the following ambient temperatures:

| Measuring device version | Maximum ambient temperatures |
|--|--|
| Compact version | Transmitter+60 °C (+140 °F) |
| Remote version (standard version) | Sensor connection housing +60 °C (+140 °F) Connecting cable+105 °C (+221 °F) |
| Remote version for heating (neck extension for insulation) | If the maximum ambient temperature of +60 °C (+140 °F) cannot be observed when using the standard version of the measuring device. |

Medium pressure range (nominal pressure)

Heating jackets for all sensors

- ▶ Medium pressure range: Observe maximum nominal pressure of 25 bar (363 psi)
→  19.

Thermal insulation

- ▶ If the heating jacket has additional insulation, observe the minimum safety distance of 20 mm (0.79 in) to the measuring device.

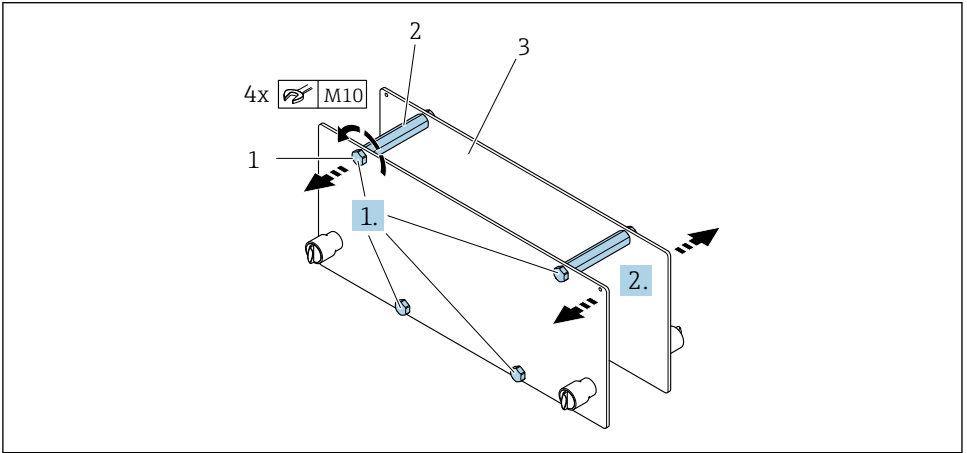
6.2 Installing the heating jacket

NOTICE

For large nominal diameters: Risk of breakage of supply and discharge lines in case of overload!

- ▶ Due to the heavy weight involved in the case of large nominal diameters, the pipe must be supported.
- ▶ Do not use the heating system's supply and discharge lines to support the heating jacket.
- ▶ Note the weight of the measuring device: see associated Operating Instructions.

Preparing for installation



A0035780

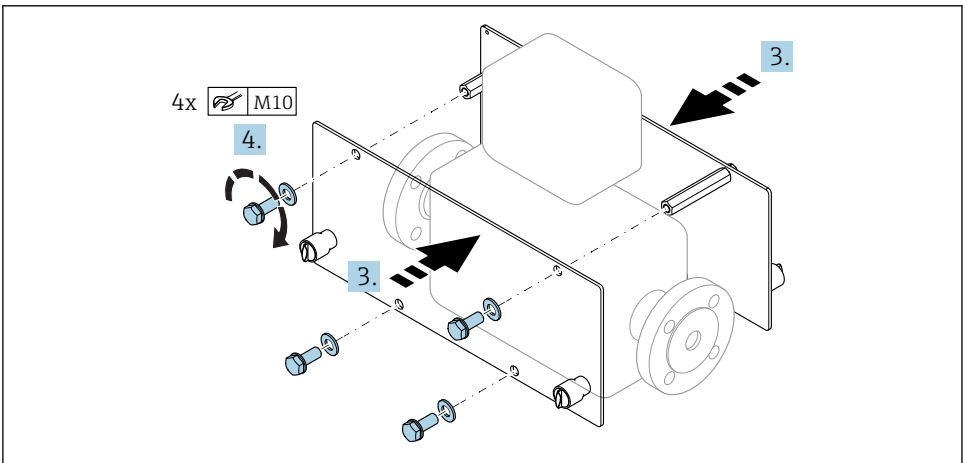
2 Sample graphic

- 1 Fixing screws
- 2 Spacer
- 3 Half-shells

1. Release the securing screws on one side.

2. Pull the half-shells apart.

Installing the heating jacket







A0035781

3 Sample graphic

3. Place the half-shells on the sensor.

4. Tighten the securing screws.

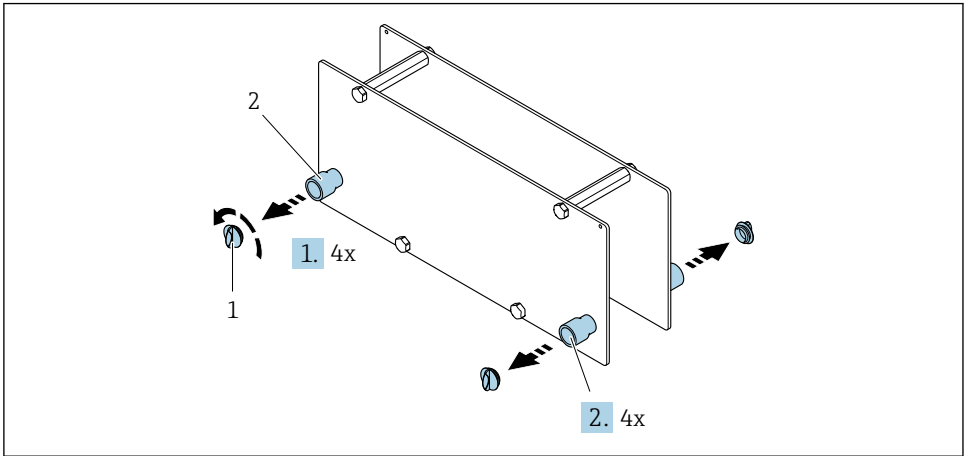
6.3 Post-installation check

| | |
|---|--------------------------|
| Is the device undamaged (visual inspection)? | <input type="checkbox"/> |
| Does the device comply with the measuring point specifications? For example: <ul style="list-style-type: none"> ▪ Ambient temperature range →  11 ▪ Measuring range pressure (nominal pressure) →  12 ▪ Flow limit | <input type="checkbox"/> |
| Has the correct mounting location been selected for the heating jacket →  11? | <input type="checkbox"/> |
| Are the measuring point identification and labeling correct (visual inspection)? | <input type="checkbox"/> |
| Has the maximum permitted insulation height been observed →  12? Safety distance of 20 mm (0.79 in) between customer's insulation and sensor | <input type="checkbox"/> |
| Is the pipe to the connections on the heating jacket positioned correctly? (connections sealed) | <input type="checkbox"/> |
| Is the heating jacket adequately protected against vibrations? | <input type="checkbox"/> |
| Is there a guaranteed flow of heating medium? | <input type="checkbox"/> |

7 Connecting to the heating system

The design and calculation of a temperature-controlled heating system is based on the maximum heat requirement. The design of the pipe network is based on the permitted flow velocities of the heating media (steam, water, oil) and on losses due to pipe friction. The pump capacity and the design point are derived from the sum of all resistances in the heating system and the quantity of heating media required. Part load operation always means an increase in differential pressure in the overall system. With normal (non-regulated pumps), this effect is amplified by the increasing pump characteristic curve. In the case of regulated pumps ($D_p = \text{constant}$), the pump pressure is maintained even if the flow rate is reduced. However, due to significantly reduced pipe losses, the pump pressure transfers primarily to pipe bottlenecks or existing valves that are still open.

7.1 Connecting the heating jacket



A0035783

4 Sample graphic

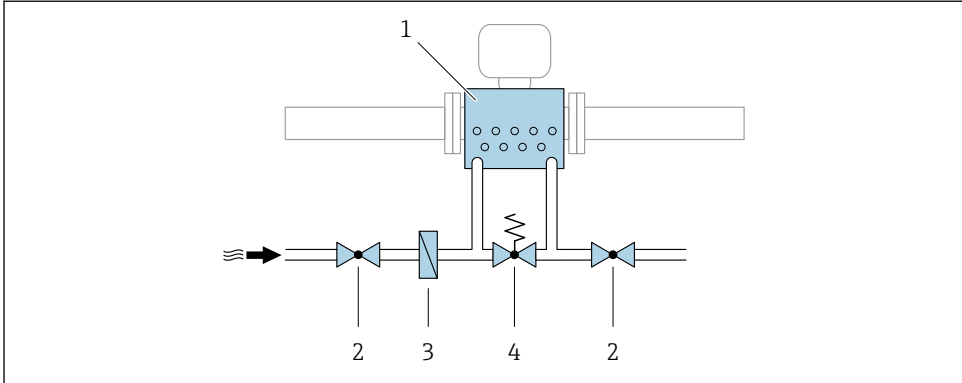
1 Protection cap

2 Connection for heating medium

1. Unscrew the protection caps from the connection thread.
2. Connect the system's heating system to the threaded connection of the heating jacket.

7.2 Installing the valve

When using thermal oils, high differential pressure can occur when the system starts up. This is due to the high viscosity of thermal oils at low temperatures → 20.



A0035579

5 Sample graphic

- 1 Heating jacket
- 2 Shut-off valve
- 3 Dirt trap
- 4 Overflow valve

1. To reduce the increase in high pressure differentials, use a differential pressure regulator or overflow valve.
2. Install an overflow valve between the infeed and return lines of the heating jacket.
 - ↳ The valve limits the delivery pressure of the circulation pump and ensures a minimum volume flow in the boiler circuit. The valve opens as soon as the delivery pressure exceeds the value configured at the valve.
3. The set pressure value must not exceed the maximum permitted nominal pressure of the heating jacket.

After the heating jacket and the oil contained therein have heated up, a pressure differential establishes itself.

8 Repair

8.1 General notes

8.1.1 Repair and conversion concept

The Endress+Hauser repair and conversion concept provides for the following:

- The measuring devices have a modular design.
- Spare parts are grouped into logical kits with the associated Installation Instructions.
- Repairs are carried out by Endress+Hauser Service or by appropriately trained customers.
- Certified devices can only be converted to other certified devices by Endress+Hauser Service or at the factory.

8.1.2 Notes for repair and conversion

For repair and modification of a measuring device, observe the following notes:

- ▶ Use only original Endress+Hauser spare parts.
- ▶ Carry out the repair according to the Installation Instructions.
- ▶ Observe the applicable standards, federal/national regulations, Ex documentation (XA) and certificates.
- ▶ Document every repair and each conversion and enter them into the *W@M* life cycle management database.

8.2 Spare parts

W@M Device Viewer (www.endress.com/deviceviewer):

All of the spare parts for the device, along with the order code, are listed here and can be ordered. If available, users can also download the associated Installation Instructions.



The serial number of the device can be found on the nameplate.

8.3 Endress+Hauser services

Endress+Hauser offers a wide range of services.



Your Endress+Hauser Sales Center can provide detailed information on the services.

8.4 Return

The measuring device must be returned if it is need of repair or a factory calibration, or if the wrong measuring device has been delivered or ordered. Legal specifications require Endress +Hauser, as an ISO-certified company, to follow certain procedures when handling products that are in contact with the medium.

To ensure safe, swift and professional device returns, please refer to the procedure and conditions for returning devices provided on the Endress+Hauser website at

<http://www.endress.com/support/return-material>

8.5 Disposal

8.5.1 Removing the measuring device

1. Switch off the device.



Danger to persons from process conditions.

- ▶ Beware of hazardous process conditions such as pressure in the measuring device, high temperatures or aggressive fluids.

2. Carry out the mounting and connection steps from the "Mounting the measuring device" and "Connecting the measuring device" sections in reverse order. Observe the safety instructions.

8.5.2 Disposing of the measuring device

WARNING

Danger to personnel and environment from fluids that are hazardous to health.

- ▶ Ensure that the measuring device and all cavities are free of fluid residues that are hazardous to health or the environment, e.g. substances that have permeated into crevices or diffused through plastic.

Observe the following notes during disposal:

- ▶ Observe valid federal/national regulations.
- ▶ Ensure proper separation and reuse of the device components.

9 Technical data

9.1 Application

The heating jacket is designed to maintain a stable temperature in the sensor.

Fluids such as:

- chocolate, condensed milk, liquid sugar
- oils, grease
- varnishes
- pharmaceuticals, catalytic converters, inhibitors
- suspensions

9.2 Environment

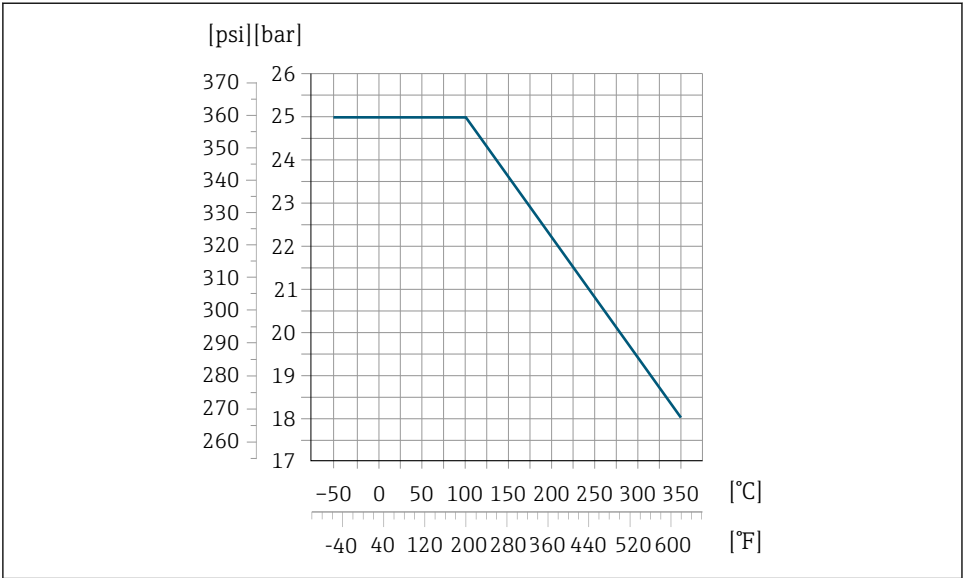
9.2.1 Ambient temperature range

→  11

9.3 Process

9.3.1 Pressure- temperature rating

The following diagram contains a pressure-temperature rating (reference curve) for a temperature range of -50 to $+350$ °C (-58 to $+662$ °F). However, the maximum permitted fluid temperatures are always dependent on the sensor.



A0035588

6 Stainless steel, 1.4571/316 Ti

9.3.2 Flow limit

 Flow rate when differential pressure = 1 bar


| | |
|----------------|-----------|
| DN 8 (3/8") | 1600 kg/h |
| DN 15 (1/2") | 1560 kg/h |
| DN 25 (1") | 1520 kg/h |
| DN 40 (1 1/2") | 1410 kg/h |
| DN 50 (2") | 1200 kg/h |

9.3.3 Medium pressure range (nominal pressure)

→  12

9.3.4 Temperature range of heating medium

► Note fluid temperature range of sensor.

 For detailed information on the fluid temperature range of the sensor, see the Technical Information and Operating Instructions for the measuring device.

9.3.5 Viscosity of heating medium

| | |
|------------------|-------------------|
| At 20 °C (68 °F) | 0.001 to 30 mPa·s |
|------------------|-------------------|

9.3.6 Heat transfer coefficient

i Data for heat transfer coefficient without heat insulation.

| | |
|----------------|----------|
| DN 8 (3/8") | 210 °C/h |
| DN 15 (1/2") | 205 °C/h |
| DN 25 (1") | 200 °C/h |
| DN 40 (1 1/2") | 180 °C/h |
| DN 50 (2") | 160 °C/h |

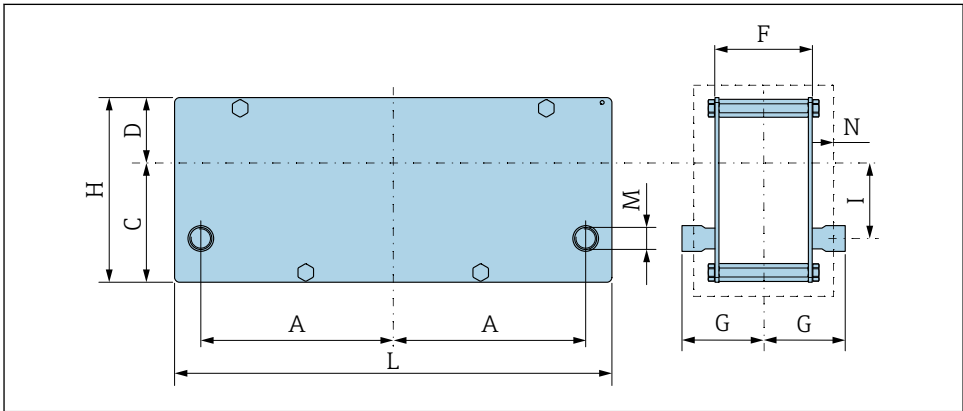
9.3.7 Vibrations

Acceleration up to 2 g based on IEC 68-2-6

9.4 Mechanical construction

9.4.1 Dimensions in SI units

Heating jacket



A0035796

7 Sample graphic

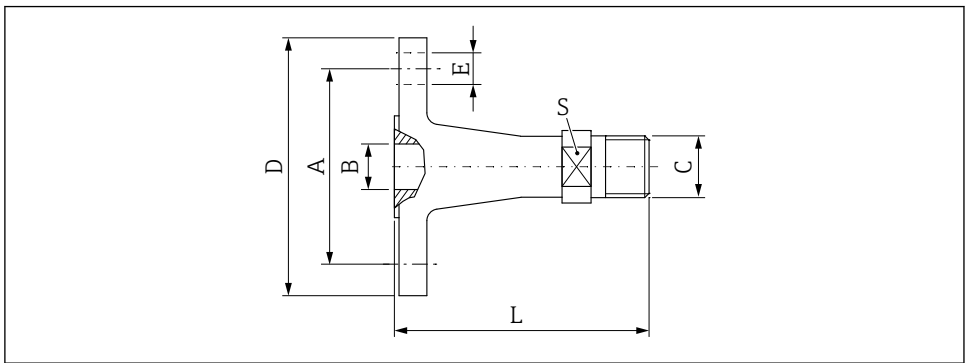
M Dependent on adapter → 21

N Dependent on customer's insulation thickness

| DN [mm] | Adapter | A [mm] | C [mm] | D [mm] | F [mm] | G [mm] | H [mm] | I [mm] | L [mm] |
|---------|---------|--------|--------|--------|--------|--------|--------|--------|--------|
| 8 | R½ | 70 | 101 | 60 | 100 | 84 | 160 | 59 | 189 |
| 15 | R½ | 134 | 109 | 62 | 100 | 84 | 170 | 66 | 320 |
| 25 | R½ | 198 | 129 | 62 | 100 | 84 | 190 | 84 | 450 |
| 40 | R½ | 292 | 170 | 86 | 140 | 104 | 255 | 121 | 640 |
| 50 | R¾ | 419 | 244 | 97 | 175 | 124 | 340 | 192 | 900 |

Connecting the heating medium

Flange adapter



A003586

Flange according to ASME B16.5
 Stainless steel, 1.4404/316L/316
 Order code for "Heating medium connection", option RF/RG

| Pressure rating | A [mm] | B [mm] | C ¹⁾ | D [mm] | E [mm] | L [mm] | S |
|-----------------|--------|--------|-----------------|--------|------------|--------|----------------|
| Class 150 | 60.5 | 15.7 | R½ | 88.9 | 4 × Ø 15.7 | 87.8 | 21 AF (7/8 AF) |
| | 60.5 | 15.7 | R¾ | 88.9 | 4 × Ø 15.7 | 87.8 | |
| Class 300 | 66.5 | 15.7 | R½ | 95.2 | 4 × Ø 15.7 | 92.3 | |
| | 66.5 | 15.7 | R¾ | 95.2 | 4 × Ø 15.7 | 92.3 | |

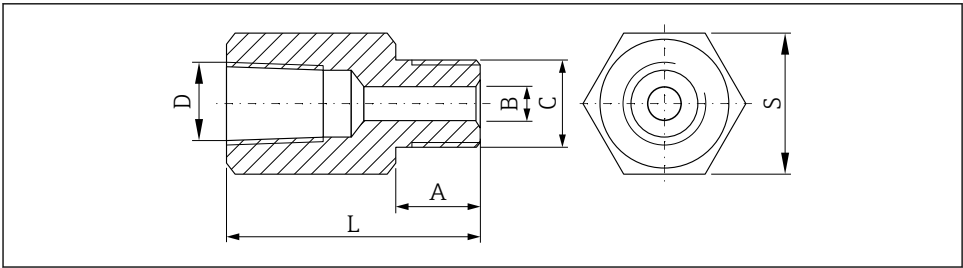
1) DIN EN ISO 7/1

Flange according to EN1092-1-B1
Stainless steel, 1.4404/316L/316
Order code for "Heating medium connection", option RH

| Pressure rating | A [mm] | B [mm] | C ¹⁾ | D [mm] | E [mm] | L [mm] | S |
|-----------------|--------|--------|-----------------|--------|----------|--------|----------------|
| PN 40 | 65 | 17.3 | R½ | 95 | 4 × Ø 14 | 78 | 21 AF (7/8 AF) |
| | 65 | 17.3 | R¾ | 95 | 4 × Ø 14 | 78 | |

1) DIN EN ISO 7/1

NPT adapter



A0035585

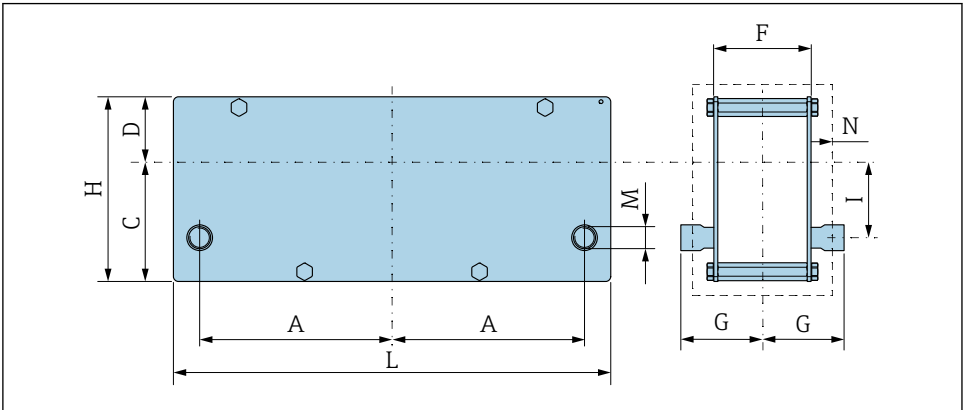
Stainless steel ,1.4404/316
Order code for "Heating medium connection", option RB/RC/RD/RE

| A [mm] | B [mm] | C ¹⁾ | D | L [mm] | S |
|--------|--------|-----------------|---|--------|--------------------|
| 19.1 | 11.9 | R½ | ½ | 49.3 | 1 1/16 AF (27 AF) |
| 19.1 | 15.7 | R¾ | ¾ | 51.3 | 1 15/16 AF (33 AF) |

1) DIN EN ISO 7/1

9.4.2 Dimensions in US units

Heating jacket



A0035796

8 Sample graphic

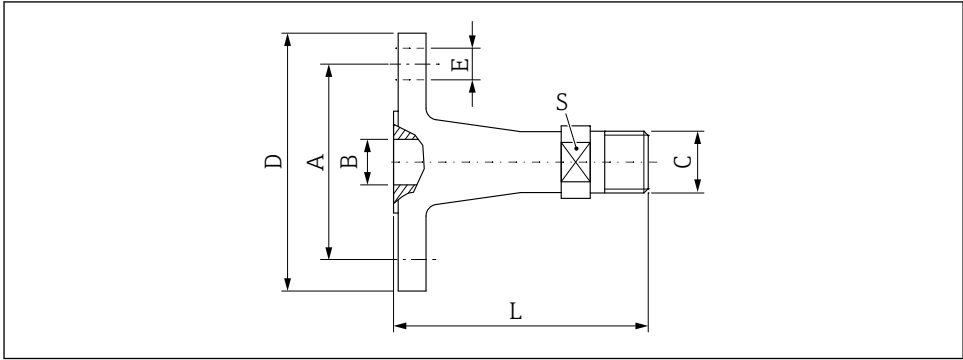
M Dependent on adapter → 24

N Dependent on customer's insulation thickness

| DN [in] | Adapter | A [in] | C [in] | D [in] | F [in] | G [in] | H [in] | I [in] | L [in] |
|---------|---------|--------|--------|--------|--------|--------|--------|--------|--------|
| 3/8 | R1/2 | 2.76 | 3.98 | 2.36 | 3.94 | 3.31 | 6.3 | 2.32 | 7.44 |
| 1/2 | R1/2 | 5.28 | 4.29 | 2.44 | 3.94 | 3.31 | 6.69 | 2.6 | 12.6 |
| 1 | R1/2 | 7.8 | 5.08 | 2.44 | 3.94 | 3.31 | 7.48 | 3.31 | 17.72 |
| 1 1/2 | R1/2 | 11.5 | 6.69 | 3.39 | 5.51 | 4.09 | 10.04 | 4.76 | 25.2 |
| 2 | R3/4 | 16.5 | 9.61 | 3.82 | 6.89 | 4.88 | 13.39 | 7.56 | 35.43 |

Connecting the heating medium

Flange adapter



A0035586

Flange according to ASME B16.5
Stainless steel, 1.4404/316L/316
Order code for "Heating medium connection", option RF/RG

| Pressure rating | A [in] | B [in] | C ¹⁾ | D [in] | E [in] | L [in] | S |
|-----------------|--------|--------|-----------------|--------|------------|--------|--------|
| Class 150 | 2.38 | 0.62 | R½ | 3.5 | 4 × Ø 0.62 | 3.46 | 7/8 AF |
| | 2.38 | 0.62 | R¾ | 3.5 | 4 × Ø 0.62 | 3.46 | |
| Class 300 | 2.62 | 0.62 | R½ | 3.75 | 4 × Ø 0.62 | 3.63 | |
| | 2.62 | 0.62 | R¾ | 3.75 | 4 × Ø 0.62 | 3.63 | |

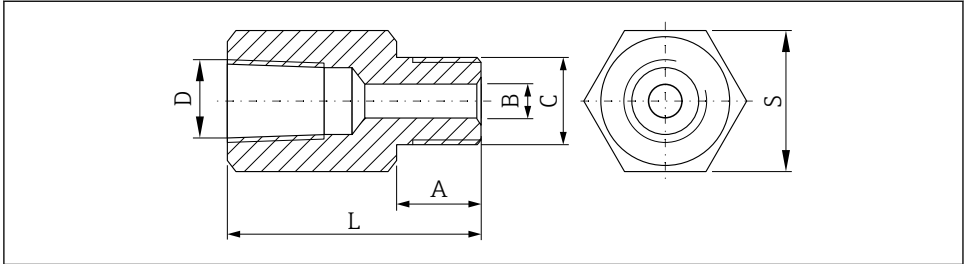
1) DIN EN ISO 7/1

Flange according to EN1092-1-B1
Stainless steel, 1.4404/316L/316
Order code for "Heating medium connection", option RH

| Pressure rating | A [in] | B [in] | C ¹⁾ | D [in] | E [in] | L [in] | S |
|-----------------|--------|--------|-----------------|--------|------------|--------|--------|
| PN 40 | 2.56 | 0.68 | R½ | 3.74 | 4 × Ø 0.55 | 3.07 | 7/8 AF |
| | 2.56 | 0.68 | R¾ | 3.74 | 4 × Ø 0.55 | 3.07 | |

1) DIN EN ISO 7/1

NPT adapter



A0035585

Stainless steel, 1.4404/316

Order code for "Heating medium connection", option RB/RC/RD/RE

| A [in] | B [in] | C ¹⁾ | D | L [in] | S |
|-----------|-----------|-----------------|---|-----------|------------|
| 0.75 | 0.47 | R½ | ½ | 1.94 | 1 1/16 AF |
| 0.75 | 0.62 | R¾ | ¾ | 2.02 | 1 15/16 AF |

1) DIN EN ISO 7/1

9.4.3 Weight

Weight in SI units



Weight and volume specifications per half-shell.

| DN [mm] | Weight [kg] | Volume [l] |
|------------|----------------|---------------|
| 8 | 1 | 0.05 |
| 15 | 1.7 | 0.1 |
| 25 | 2.7 | 0.15 |
| 40 | 5 | 0.3 |
| 50 | 10 | 0.6 |

Weight in US units



Weight and volume specifications per half-shell.

| DN [in] | Weight [lb] | Volume [gal] |
|----------------|-------------|--------------|
| $\frac{3}{8}$ | 2.21 | 0.01 |
| $\frac{1}{2}$ | 3.75 | 0.03 |
| 1 | 5.95 | 0.04 |
| $1\frac{1}{2}$ | 11.03 | 0.08 |
| 2 | 22.05 | 0.16 |

9.4.4 Materials

| | |
|------------------------|----------------------------------|
| Heating jacket housing | Stainless steel, 1.4571 (316Ti) |
| Flange adapter | Stainless steel, 1.4404/316L/316 |
| NPT adapter | Stainless steel ,1.4404/316 |

9.5 Certificates and approvals

9.5.1 Pressure Equipment Directive

Devices not bearing this marking (PED) are designed and manufactured according to good engineering practice. They comply with the requirements of Art. 4 Para. 3 of the Pressure Equipment Directive 2014/68/EU.

www.addresses.endress.com
