

# Safety Instructions

## **Gammapilot M FMG60**


PROFIBUS PA, FOUNDATION Fieldbus (Ex d, Ex e)

EAC: 1Ex d e [ia Ga] IIC T6, T5 Gb X

1Ex d [ia Ga] IIC T6, T5 Gb X



Document: XA01588F-C

Safety instructions for electrical apparatus for explosion-hazardous areas →  3

---

# Gammapilot M FMG60

PROFIBUS PA, FOUNDATION Fieldbus (Ex d, Ex e)

## Table of contents

Associated documentation . . . . .	4
Supplementary documentation . . . . .	4
Manufacturer's certificates . . . . .	4
Manufacturer address . . . . .	4
Extended order code . . . . .	4
Safety instructions: General . . . . .	6
Safety instructions: Special conditions . . . . .	6
Safety instructions: Installation . . . . .	6
Temperature tables . . . . .	9
Connection data . . . . .	10

<b>Associated documentation</b>	<p>This document is an integral part of the following Operating Instructions:</p> <p>PROFIBUS PA: BA00329F/00</p> <p>FOUNDATION Fieldbus: BA00330F/00</p>										
<b>Supplementary documentation</b>	<p>Explosion-protection brochure: CP00021Z/11</p> <p>The Explosion-protection brochure is available:</p> <ul style="list-style-type: none"> <li>■ In the download area of the Endress+Hauser website: <a href="http://www.endress.com">www.endress.com</a> -&gt; Downloads -&gt; Media Type: Documentation -&gt; Documentation Type: Brochures and catalogs -&gt; Text Search: CP00021Z</li> <li>■ On the CD for devices with CD-based documentation</li> </ul>										
<b>Manufacturer's certificates</b>	<p><b>Certificate of Conformity TP TC 012/2011</b></p> <p>Inspection authority: LLC NANIO CCVE (ООО «НАНИО ЦСВЭ»)</p> <p>Certificate number: TC RU C-DE.AA87.B.01172</p> <p>Affixing the certificate number certifies conformity with the following standards (depending on the device version):</p> <ul style="list-style-type: none"> <li>■ GOST 31610.0-2014 (IEC 60079-0:2011)</li> <li>■ GOST 31610.7-2012/IEC 60079-7:2006</li> <li>■ GOST 31610.11-2014 (IEC 60079-11:2011)</li> <li>■ GOST IEC 60079-1-2011</li> </ul>										
<b>Manufacturer address</b>	<p>Endress+Hauser SE+Co. KG Hauptstraße 1 79689 Maulburg, Germany Address of the manufacturing plant: See nameplate.</p>										
<b>Extended order code</b>	<p>The extended order code is indicated on the nameplate, which is affixed to the device in such a way that it is clearly visible. Additional information about the nameplate is provided in the associated Operating Instructions.</p> <p><b>Structure of the extended order code</b></p> <table border="0" style="margin-left: 40px;"> <tr> <td style="text-align: center;">FMG60</td> <td style="text-align: center;">–</td> <td style="text-align: center;">*****</td> <td style="text-align: center;">+</td> <td style="text-align: center;">A*B*C*D*E*F*G*..</td> </tr> <tr> <td style="text-align: center;"><i>(Device type)</i></td> <td></td> <td style="text-align: center;"><i>(Basic specifications)</i></td> <td></td> <td style="text-align: center;"><i>(Optional specifications)</i></td> </tr> </table> <p>* = Placeholder At this position, an option (number or letter) selected from the specification is displayed instead of the placeholders.</p> <p><i>Basic specifications</i></p> <p>The features that are absolutely essential for the device (mandatory features) are specified in the basic specifications. The number of positions depends on the number of features available. The selected option of a feature can consist of several positions.</p>	FMG60	–	*****	+	A*B*C*D*E*F*G*..	<i>(Device type)</i>		<i>(Basic specifications)</i>		<i>(Optional specifications)</i>
FMG60	–	*****	+	A*B*C*D*E*F*G*..							
<i>(Device type)</i>		<i>(Basic specifications)</i>		<i>(Optional specifications)</i>							

*Optional specifications*

The optional specifications describe additional features for the device (optional features). The number of positions depends on the number of features available. The features have a 2-digit structure to aid identification (e.g. JA). The first digit (ID) stands for the feature group and consists of a number or a letter (e.g. J = Test, Certificate). The second digit constitutes the value that stands for the feature within the group (e.g. A = 3.1 material (wetted parts), inspection certificate).

More detailed information about the device is provided in the following tables. These tables describe the individual positions and IDs in the extended order code which are relevant to hazardous locations.

**Extended order code: Gammapilot M***Device type*

FMG60

*Basic specifications*

Position 1 (Approval)		
Selected option		Description
FMG60	Q	EAC 1Ex d e [ia Ga] IIC T6, T5 Gb X
	R	EAC 1Ex d [ia Ga] IIC T6, T5 Gb X

Position 2 (Power Supply)		
Selected option		Description
FMG60	1	90-253 VAC
	2	18-35 VDC

Position 3 (Connect. Power Supply; Connect. Output)		
Selected option		Description
FMG60	C	Ex e; Ex e
	D	Ex d (XP); Ex d (XP)

Position 4 (Output)		
Selected option		Description
FMG60	2	PROFIBUS PA
	3	FOUNDATION Fieldbus

Position 5 (Scintillator; Measuring Range)		
Selected option		Description
FMG60	A-D	NaJ-Crystal
	G-T	PVT

*Optional specifications*

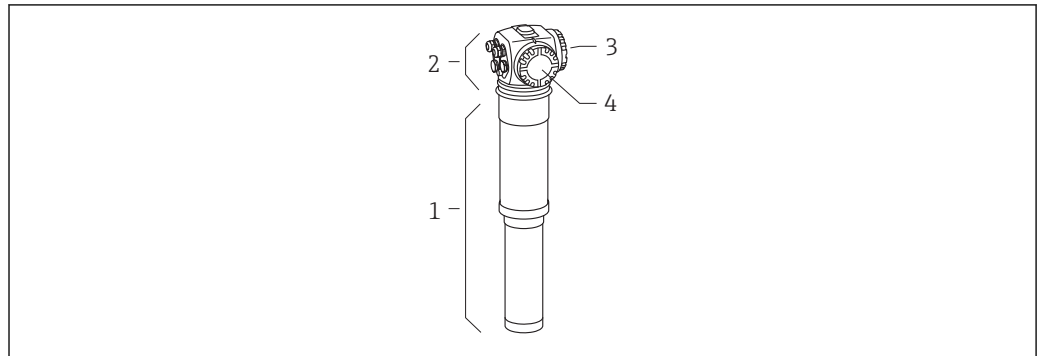
No options specific to hazardous locations are available.

**Safety instructions: General**

- Comply with the installation and safety instructions in the Operating Instructions.
- Staff must meet the following conditions for mounting, electrical installation, commissioning and maintenance of the device:
  - Be suitably qualified for their role and the tasks they perform
  - Be trained in explosion protection
  - Be familiar with national regulations
- Install the device according to the manufacturer's instructions and national regulations.
- Do not operate the device outside the specified electrical, thermal and mechanical parameters.
- Avoid electrostatic charging:
  - Of plastic surfaces (e.g. housing, sensor element, special varnishing, attached additional plates, ..)
  - Of isolated capacities (e.g. isolated metallic plates)

**Safety instructions:  
Special conditions**

- In the event of additional or alternative special varnishing on the housing or other metal parts:
- Observe the danger of electrostatic charging and discharge.
  - Do not rub surfaces with a dry cloth.
  - Do not install in the vicinity of processes generating strong electrostatic charges.

**Safety instructions:  
Installation**

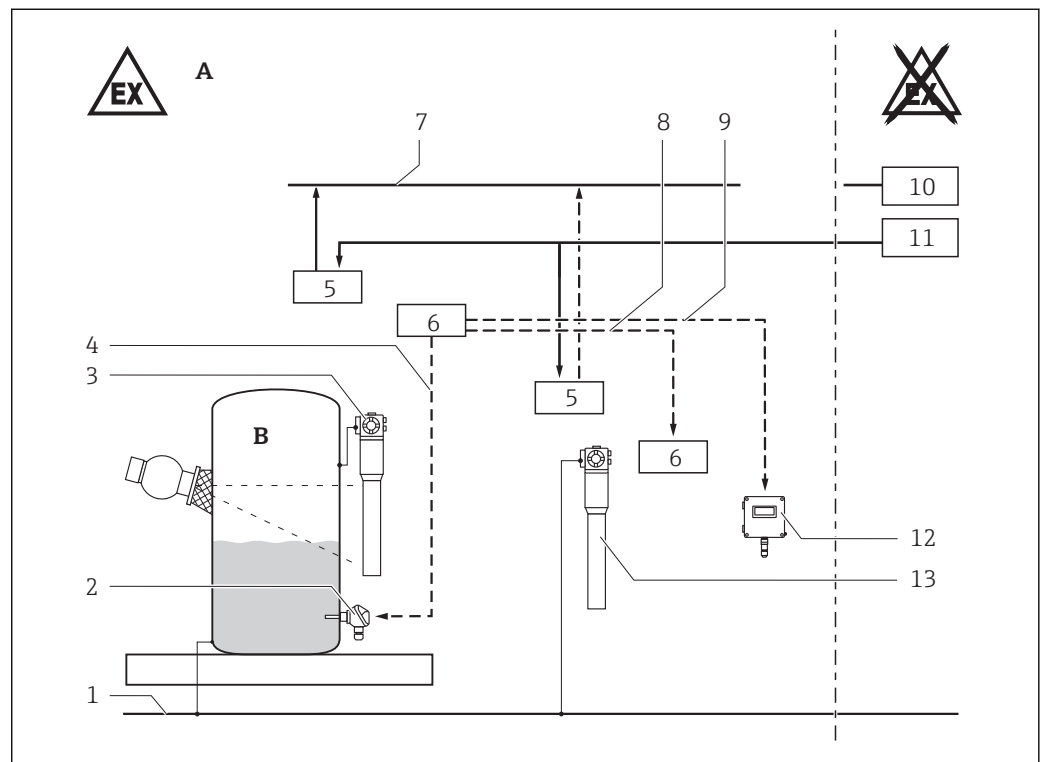
A0031753

 1

- 1 Pipe housing
- 2 Compartment housing
- 3 Terminal compartment A
- 4 Terminal compartment B

**Communication PROFIBUS PA, FOUNDATION Fieldbus in type of protection Increased safety (Ex e) or Flameproof enclosure (Ex d)**

Basic specification, Position 3 (Connect. Power Supply; Connect. Output) = C, D



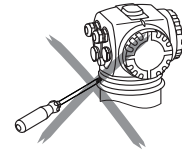
A0031786

2

- A Zone 1 or Zone 2  
 B Zone 0, Zone 1 or Zone 2  
 1 Local potential equalization line  
 2 PT100; approved Ex ia equipment  
 3 Gammapilot with NaJ crystal scintillator, PVT plastic scintillator  
 4 [Ex ia] circuit  
 5 Terminal compartment A (Ex d or Ex e)  
 6 Terminal compartment B (Ex i)  
 7 Communication: PROFIBUS PA or FOUNDATION Fieldbus  
 8 [Ex ia] circuit; Cascade in, out  
 9 [Ex ia] circuit  
 10 Supply unit/Segment coupler  
 11 Power supply  
 12 Remote display FHX40  
 13 Gammapilot with NaJ crystal scintillator, PVT plastic scintillator

- To maintain the ingress protection of the housing IP66/67: Install the housing cover, cable glands and blind plugs correctly.
- Cable glands as well as sealing plugs of the terminal compartment A must not be exchanged with those of the terminal compartment B.
- Do not open the terminal compartment A when energized.
- In an explosive atmosphere: Minimum waiting time before opening the terminal compartment A after switching off the power supply: 3 minutes.
- Before operation:
  - Screw in the cover all the way.
  - Tighten the securing clamp on the cover.
- Continuous service temperature of the connecting cable:  $\geq T_a + 20 \text{ K}$ .

The safety screws at the pipe housing must not be loosened:



A0031759

#### *When using the water cooling*

To avoid damages at the detector or at the cooling jacket if the cooling water freezes: Empty cooling jacket or protect against freezing.

#### **Intrinsic safety**

- Observe the pertinent guidelines when interconnecting intrinsically safe circuits.
- The intrinsically-safe input circuits are galvanically isolated from other circuits up to a peak value of the nominal voltage of 375 V.
- The intrinsically safe circuits of the device are isolated from ground and have a dielectric strength of at least 500 V<sub>rms</sub>.
- When the device is connected to an intrinsically safe circuit Ex ib, the type of protection changes to Ex ib. Do not operate the temperature sensor in Zone 0 if the device is connected to an intrinsically safe circuit of Category Ex ib.
- When the device is connected to an intrinsically safe circuit Ex ic, the type of protection changes to Ex ic. Do not operate the temperature sensor in Zone 0 or Zone 1 if the device is connected to an intrinsically safe circuit of Category Ex ic.

#### **Increased safety (Ex e)**

- Only use suitable certified Ex e cable glands providing an ingress protection of at least IP66/67. The cable glands must be suitable for the intended ambient temperature range.
- Replace cable glands and sealing plugs only with identical parts.

#### **Flameproof enclosure (Ex d)**

- Connect the device:
  - Using suitable cable and wire entries of protection type "Flameproof Enclosure (Ex d)".
  - Using piping systems of protection type "Flameproof Enclosure (Ex d)".
- Seal unused entry glands with approved Ex d sealing plugs.

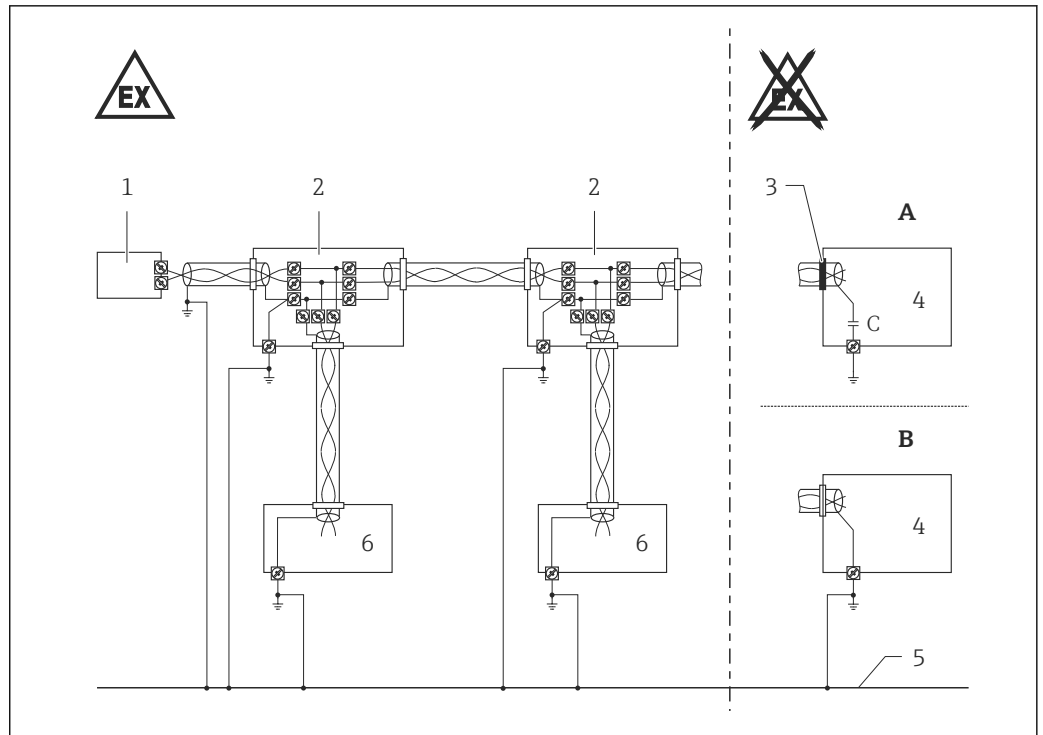
*Safety instructions: Ex d joints*

If required or if in doubt: ask manufacturer for specifications.

#### **Potential equalization**

- Integrate the device into the local potential equalization.
- Grounding the screen, see the following figure.





A0022352

3

A Version 1: Use small capacitors (e.g. 1 nF, 1 500 V dielectric strength, ceramic). Total capacitance connected to the screen may not exceed 10 nF.

B Version 2

1 Terminating resistor

2 Distributor/T box

3 Screen insulated

4 Supply unit/Segment coupler

5 Potential equalization (secured in high degree)

6 Field device

Temperature tables

Temperature class
T6

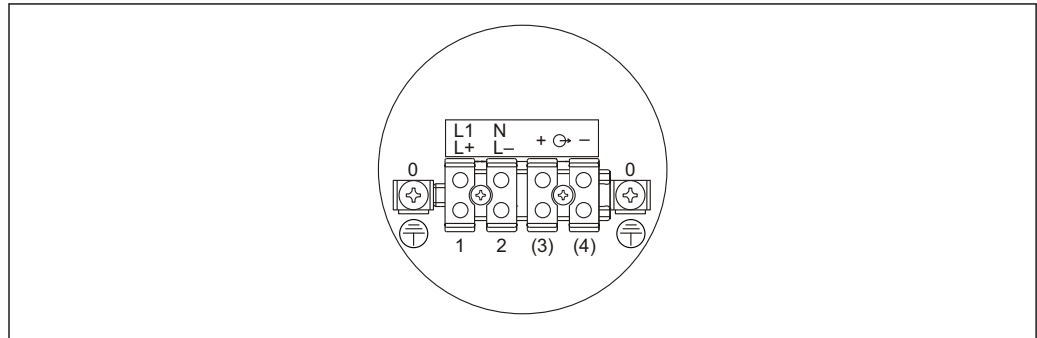
Basic specification, Position 5 (Scintillator; Measuring Range) = A-D, G-T

Ambient temperature	
Detector without water cooling or detector with water cooling out of operation:	Temperature class T6
<ul style="list-style-type: none"> <li>▪ Devices with NaJ crystal scintillator:</li> <li>▪ Devices with PVT plastic scintillator:</li> </ul>	$-40\text{ °C} \leq T_a \leq +60\text{ °C}$ $-40\text{ °C} \leq T_a \leq +50\text{ °C}$
Detector with water cooling in operation:	Temperature class T6
At the pipe housing (within the water cooling):	
<ul style="list-style-type: none"> <li>▪ Devices with NaJ crystal scintillator:</li> <li>▪ Devices with PVT plastic scintillator:</li> </ul>	$-40\text{ °C} \leq T_a \leq +60\text{ °C}$ $-40\text{ °C} \leq T_a \leq +60\text{ °C}$
At the compartment housing:	$-40\text{ °C} \leq T_a \leq +75\text{ °C}$

Type of protection	
Power supply circuit and communication circuit (Terminal compartment A)	Ex e or Ex d
Signal circuits (Terminal compartment B)	Ex ia

**Connection data**

- Tightening torque of the terminal screws: max. 0.4 Nm.
- Strip the insulation of the connection wires with suitable length. Bare parts of the wires must not emerge from the terminal.
- Ensure that the wires are securely clamped.

**Terminal compartment A****Increased safety (Ex e) or Flameproof enclosure (Ex d)**

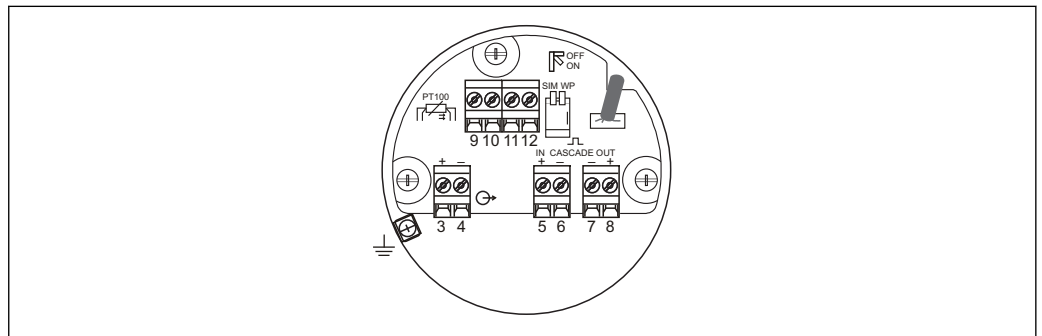
A0031763

4

Power supply circuit		
Basic specification, Position 2 (Power Supply) = 1	L1 N	$U_e = 90 \text{ to } 253 \text{ V}_{AC}, 50/60 \text{ Hz}, 8.5 \text{ VA}$
Basic specification, Position 2 (Power Supply) = 2	L+ L-	$U_e = 18 \text{ to } 35 \text{ V}_{DC}, 3.5 \text{ W}$ $U_m = 253 \text{ V}_{AC}$
Signal circuit		
Basic specification, Position 3 (Connect. Power Supply; Connect. Output) = C, D	⊖  + -	$U_e \leq 32 \text{ V}_{DC}$ $I = 10 \text{ mA}$ (nominal current) $U_m = 253 \text{ V}_{AC}$ The detector ensures galvanic isolation up to a maximum of $253 \text{ V}_{AC}$ between the fieldbus circuit and any other circuit.

**Terminal compartment B**

**Intrinsic safety (Ex ia)**



A0031764

5

Signal circuit			Ex ia IIC	Ex ia IIB	Ex ib IIC	Ex ib IIB
Terminals 3, 4 not connected						
	+ -					
PT100		$U_o = 8.4\text{ V}$ $I_o = 8.3\text{ mA}$ $P_o = 17.5\text{ mW}$ $R_i = 1\,012\ \Omega$ $C_i = 0$ $L_i = 0$ Characteristic curve: linear	$C_o = 1\,200\text{ nF}$ at $L_o = 1\text{ mH}$ $C_o = 1\,800\text{ nF}$ at $L_o = 0.15\text{ mH}$	$C_o = 6\ \mu\text{F}$ at $L_o = 1\text{ mH}$ $C_o = 5.2\ \mu\text{F}$ at $L_o = 2\text{ mH}$	$C_o = 5.2\ \mu\text{F}$ $L_o = 400\text{ mH}$	$C_o = 43\ \mu\text{F}$ $L_o = 400\text{ mH}$
Cascade out <sup>1)</sup>		$U_o = 8.4\text{ V}$ $I_o = 19.2\text{ mA}$ $P_o = 40.3\text{ mW}$ $R_i = 439\ \Omega$ $C_i = 5.3\text{ nF}$ $L_i = 67\ \mu\text{H}$ Characteristic curve: linear	$C_o = 5.1\ \mu\text{F}$ $L_o = 69\text{ mH}$	$C_o = 42\ \mu\text{F}$ $L_o = 199\text{ mH}$	$C_o = 5.1\ \mu\text{F}$ $L_o = 69\text{ mH}$	$C_o = 42\ \mu\text{F}$ $L_o = 199\text{ mH}$
Cascade in <sup>2)</sup>		$U_i = 8.4\text{ V}$ $I_i = 19.2\text{ mA}$ $P_i = 40.3\text{ mW}$ $C_i = 0$ $L_i = 67\ \mu\text{H}$				
Connection for FHX40		$U_o = 4.7\text{ V}$ $I_o = 37.7\text{ mA}$ $P_o = 44.3\text{ mW}$ $R_i = 125\ \Omega$ $C_i = 12.7\text{ nF}$ $L_i = 0$ Characteristic curve: linear	For connection to the approved display FHX40 with associated cable (TC RU C-DE.GB05.B.00535) in type of protection intrinsic safety Ex ia IIC. Observe associated Safety Instructions! $C_o = 150\ \mu\text{F}$ $L_o = 25\text{ mH}$			

- 1) Only for connection to FMG60 signal circuit Cascade in
- 2) Only for connection to FMG60 signal circuit Cascade out



[www.addresses.endress.com](http://www.addresses.endress.com)

---