

# Brief Operating Instructions

## Flowmeter


### Proline 500

EtherNet/IP transmitter  
with electromagnetic sensor



These instructions are Brief Operating Instructions; they are **not** a substitute for the Operating Instructions pertaining to the device.

**Brief Operating Instructions part 2 of 2: Transmitter**  
Contain information about the transmitter.

Brief Operating Instructions part 1 of 2: Sensor →  3



A0023555

## Brief Operating Instructions for the flowmeter

The device consists of a transmitter and a sensor.

The process of commissioning these two components is described in two separate manuals, that form the Brief Operating Instructions of the flowmeter:

- Brief Operating Instructions part 1: Sensor
- Brief Operating Instructions part 2: Transmitter

Please refer to both Brief Operating Instructions when commissioning the flowmeter as the contents complement one another:

### Brief Operating Instructions part 1: Sensor

The Sensor Brief Operating Instructions are aimed at specialists with responsibility for installing the measuring device.

- Incoming acceptance and product identification
- Storage and transport
- Installation

### Brief Operating Instructions part 2: Transmitter

The Transmitter Brief Operating Instructions are aimed at specialists with responsibility for commissioning, configuring and parameterizing the measuring device (until the first measured value).

- Product description
- Installation
- Electrical connection
- Operation options
- System integration
- Commissioning
- Diagnostic information

## Additional device documentation



These Brief Operating Instructions are the **Brief Operating Instructions part 2: Transmitter**.

The "Brief Operating Instructions part 1: Sensor" are available via:

- Internet: [www.endress.com/deviceviewer](http://www.endress.com/deviceviewer)
- Smart phone/tablet: *Endress+Hauser Operations App*

Detailed information about the device can be found in the Operating Instructions and the other documentation:

- Internet: [www.endress.com/deviceviewer](http://www.endress.com/deviceviewer)
- Smart phone/tablet: *Endress+Hauser Operations App*





# Table of contents

<b>1</b>	<b>About this document</b>	<b>5</b>
1.1	Symbols used	5
<b>2</b>	<b>Basic safety instructions</b>	<b>7</b>
2.1	Requirements for the personnel	7
2.2	Designated use	7
2.3	Workplace safety	8
2.4	Operational safety	8
2.5	Product safety	8
2.6	IT security	8
2.7	Device-specific IT security	9
<b>3</b>	<b>Product description</b>	<b>10</b>
<b>4</b>	<b>Installation</b>	<b>11</b>
4.1	Mounting the transmitter housing	11
4.2	Turning the transmitter housing	13
4.3	Turning the display module	14
4.4	Cover locking	15
4.5	Transmitter post-installation check	16
<b>5</b>	<b>Electrical connection</b>	<b>17</b>
5.1	Connection conditions	17
5.2	Connecting the measuring device	26
5.3	Hardware settings	37
5.4	Ensuring potential equalization	38
5.5	Ensuring the degree of protection	42
5.6	Post-connection check	43
<b>6</b>	<b>Operation options</b>	<b>44</b>
6.1	Overview of operation options	44
6.2	Structure and function of the operating menu	45
6.3	Access to the operating menu via the local display	46
6.4	Access to the operating menu via the operating tool	49
6.5	Access to the operating menu via the Web server	49
<b>7</b>	<b>System integration</b>	<b>49</b>
<b>8</b>	<b>Commissioning</b>	<b>49</b>
8.1	Function check	49
8.2	Setting the operating language	50
8.3	Configuring the measuring device	50
8.4	Protecting settings from unauthorized access	51
<b>9</b>	<b>Diagnostic information</b>	<b>51</b>








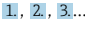


# 1 About this document

## 1.1 Symbols used





### 1.1.1 Safety symbols


Symbol	Meaning
	<b>DANGER!</b> This symbol alerts you to a dangerous situation. Failure to avoid this situation will result in serious or fatal injury.
	<b>WARNING!</b> This symbol alerts you to a dangerous situation. Failure to avoid this situation can result in serious or fatal injury.
	<b>CAUTION!</b> This symbol alerts you to a dangerous situation. Failure to avoid this situation can result in minor or medium injury.
	<b>NOTE!</b> This symbol contains information on procedures and other facts which do not result in personal injury.

### 1.1.2 Symbols for certain types of information





Symbol	Meaning	Symbol	Meaning
	<b>Permitted</b> Procedures, processes or actions that are permitted.		<b>Preferred</b> Procedures, processes or actions that are preferred.
	<b>Forbidden</b> Procedures, processes or actions that are forbidden.		<b>Tip</b> Indicates additional information.
	Reference to documentation		Reference to page
	Reference to graphic		Series of steps
	Result of a step		Visual inspection

### 1.1.3 Electrical symbols




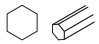

Symbol	Meaning	Symbol	Meaning
	Direct current		Alternating current
	Direct current and alternating current		<b>Ground connection</b> A grounded terminal which, as far as the operator is concerned, is grounded via a grounding system.

Symbol	Meaning
	<p><b>Protective Earth (PE)</b>                      A terminal which must be connected to ground prior to establishing any other connections.</p> <p>The ground terminals are situated inside and outside the device:</p> <ul style="list-style-type: none"> <li>▪ Inner ground terminal: Connects the protective earth to the mains supply.</li> <li>▪ Outer ground terminal: Connects the device to the plant grounding system.</li> </ul>

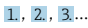



### 1.1.4 Communication symbols

Symbol	Meaning	Symbol	Meaning
	<p><b>Wireless Local Area Network (WLAN)</b>                      Communication via a wireless, local network.</p>		<p><b>LED</b>                      Light emitting diode is off.</p>
	<p><b>LED</b>                      Light emitting diode is on.</p>		<p><b>LED</b>                      Light emitting diode is flashing.</p>

### 1.1.5 Tool symbols

Symbol	Meaning	Symbol	Meaning
	Torx screwdriver		Flat blade screwdriver
	Cross-head screwdriver		Allen key
	Open-ended wrench		

### 1.1.6 Symbols in graphics

Symbol	Meaning	Symbol	Meaning
1, 2, 3,...	Item numbers		Series of steps
A, B, C, ...	Views	A-A, B-B, C-C, ...	Sections
	Hazardous area		Safe area (non-hazardous area)
	Flow direction		

## 2 Basic safety instructions

### 2.1 Requirements for the personnel

The personnel must fulfill the following requirements for its tasks:

- ▶ Trained, qualified specialists must have a relevant qualification for this specific function and task.
- ▶ Are authorized by the plant owner/operator.
- ▶ Are familiar with federal/national regulations.
- ▶ Before starting work, read and understand the instructions in the manual and supplementary documentation as well as the certificates (depending on the application).
- ▶ Follow instructions and comply with basic conditions.

### 2.2 Designated use

#### Application and media

The measuring device described in these Brief Operating Instructions is intended only for flow measurement of liquids with a minimum conductivity of 5  $\mu\text{S}/\text{cm}$ .

Depending on the version ordered, the measuring device can also measure potentially explosive, flammable, poisonous and oxidizing media.

Measuring devices for use in hazardous areas, in hygienic applications or where there is an increased risk due to process pressure, are labeled accordingly on the nameplate.

To ensure that the measuring device remains in proper condition for the operation time:

- ▶ Keep within the specified pressure and temperature range.
- ▶ Only use the measuring device in full compliance with the data on the nameplate and the general conditions listed in the Operating Instructions and supplementary documentation.
- ▶ Based on the nameplate, check whether the ordered device is permitted for the intended use in the hazardous area (e.g. explosion protection, pressure vessel safety).
- ▶ Use the measuring device only for media to which the process-wetted materials are sufficiently resistant.
- ▶ If the ambient temperature of the measuring device is outside the atmospheric temperature, it is absolutely essential to comply with the relevant basic conditions as specified in the device documentation.
- ▶ Protect the measuring device permanently against corrosion from environmental influences.

#### Incorrect use

Non-designated use can compromise safety. The manufacturer is not liable for damage caused by improper or non-designated use.

#### **WARNING**

#### **Danger of breakage due to corrosive or abrasive fluids and ambient conditions!**

- ▶ Verify the compatibility of the process fluid with the sensor material.
- ▶ Ensure the resistance of all fluid-wetted materials in the process.
- ▶ Keep within the specified pressure and temperature range.

**NOTICE****Verification for borderline cases:**

- ▶ For special fluids and fluids for cleaning, Endress+Hauser is glad to provide assistance in verifying the corrosion resistance of fluid-wetted materials, but does not accept any warranty or liability as minute changes in the temperature, concentration or level of contamination in the process can alter the corrosion resistance properties.

**Residual risks****⚠ WARNING**

**The electronics and the medium may cause the surfaces to heat up. This presents a burn hazard!**

- ▶ For elevated fluid temperatures, ensure protection against contact to prevent burns.

## 2.3 Workplace safety

For work on and with the device:

- ▶ Wear the required personal protective equipment according to federal/national regulations.

For welding work on the piping:

- ▶ Do not ground the welding unit via the measuring device.

If working on and with the device with wet hands:

- ▶ Due to the increased risk of electric shock, gloves must be worn.

## 2.4 Operational safety

Risk of injury.

- ▶ Operate the device in proper technical condition and fail-safe condition only.
- ▶ The operator is responsible for interference-free operation of the device.

## 2.5 Product safety

This measuring device is designed in accordance with good engineering practice to meet state-of-the-art safety requirements, has been tested, and left the factory in a condition in which it is safe to operate.

It meets general safety standards and legal requirements. It also complies with the EU directives listed in the device-specific EU Declaration of Conformity. Endress+Hauser confirms this by affixing the CE mark to the device.

## 2.6 IT security

Our warranty is valid only if the device is installed and used as described in the Operating Instructions. The device is equipped with security mechanisms to protect it against any inadvertent changes to the settings.

IT security measures, which provide additional protection for the device and associated data transfer, must be implemented by the operators themselves in line with their security standards.



## 2.7 Device-specific IT security

The device offers a range of specific functions to support protective measures on the operator's side. These functions can be configured by the user and guarantee greater in-operation safety if used correctly.



For detailed information on device-specific IT security, see the Operating Instructions for the device.

### 2.7.1 Access via service interface (CDI-RJ45)

The device can be connected to a network via the service interface (CDI-RJ45). Device-specific functions guarantee the secure operation of the device in a network.

The use of relevant industrial standards and guidelines that have been defined by national and international safety committees, such as IEC/ISA62443 or the IEEE, is recommended. This includes organizational security measures such as the assignment of access authorization as well as technical measures such as network segmentation.

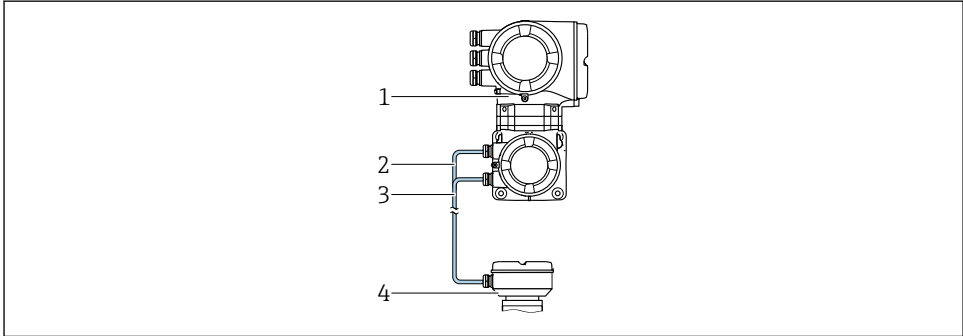


The device can be integrated in a ring topology. The device is integrated via the terminal connection for signal transmission (output 1) and the connection to the service interface (CDI-RJ45) .

### 3 Product description

The measuring system consists of a Proline 500 transmitter and an electromagnetic Proline Promag sensor.

The transmitter and sensor are mounted in physically separate locations. They are interconnected via two connecting cable.



- 1 Transmitter with integrated ISEM (intelligent sensor electronics module)
- 2 Coil current cable
- 3 Signal cable
- 4 Sensor connection housing



For detailed information on the product description, see the Operating Instructions for the device

## 4 Installation



For detailed information about mounting the sensor, see the Sensor Brief Operating Instructions → 3

### 4.1 Mounting the transmitter housing

#### **CAUTION**

#### Ambient temperature too high!

Danger of electronics overheating and housing deformation.

- ▶ Do not exceed the permitted maximum ambient temperature .
- ▶ If operating outdoors: Avoid direct sunlight and exposure to weathering, particularly in warm climatic regions.

#### **CAUTION**

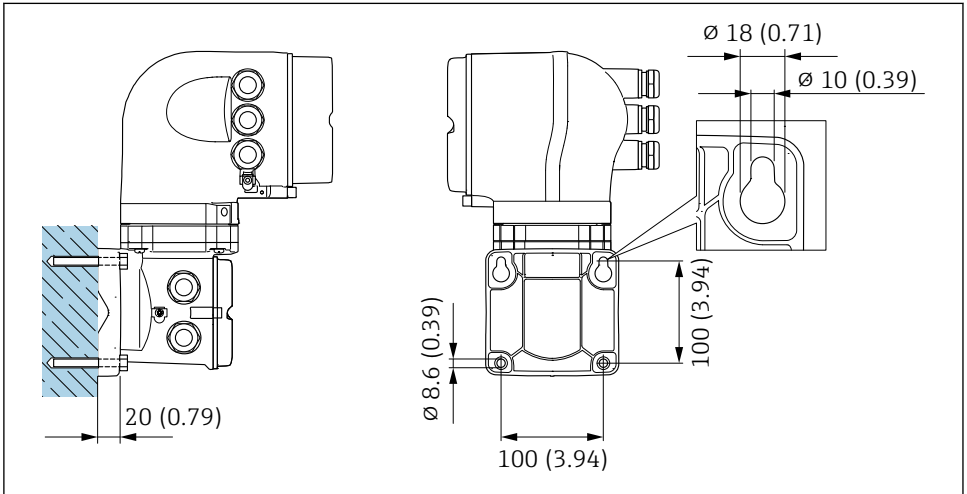
#### Excessive force can damage the housing!

- ▶ Avoid excessive mechanical stress.

The transmitter can be mounted in the following ways:

- Post mounting
- Wall mounting

#### 4.1.1 Wall mounting



1 Engineering unit mm (in)

A0029068

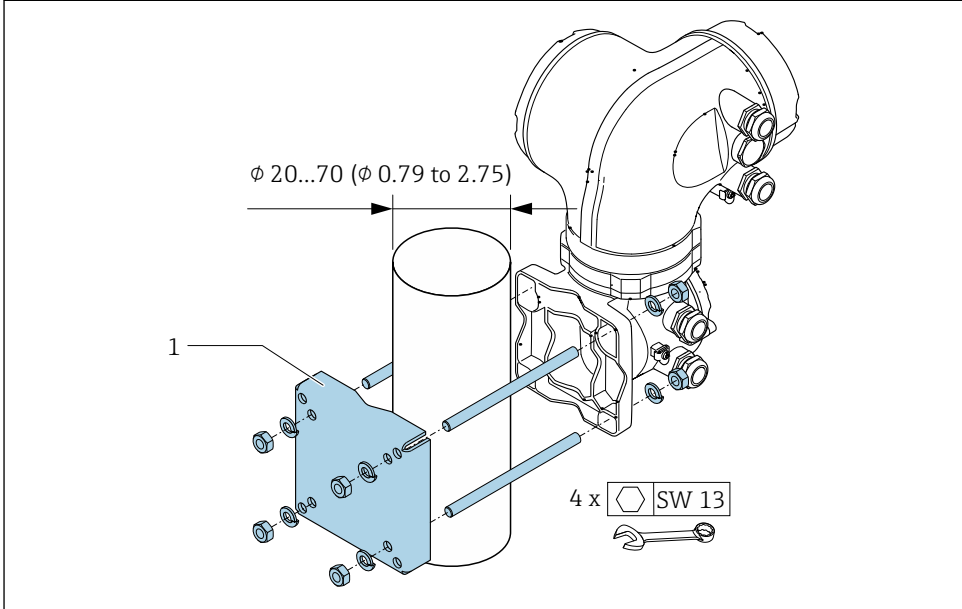
### 4.1.2 Post mounting

#### **⚠ WARNING**

Order code for "Transmitter housing", option L "Cast, stainless": cast transmitters are very heavy.

They are unstable if they are not mounted on a secure, fixed post.

- ▶ Only mount the transmitter on a secure, fixed post on a stable surface.

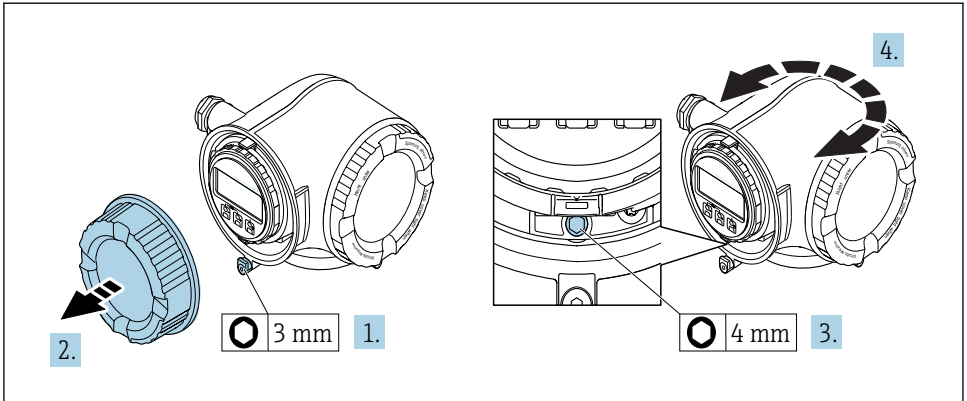


A0029057

2 Engineering unit mm (in)

## 4.2 Turning the transmitter housing

To provide easier access to the connection compartment or display module, the transmitter housing can be turned.

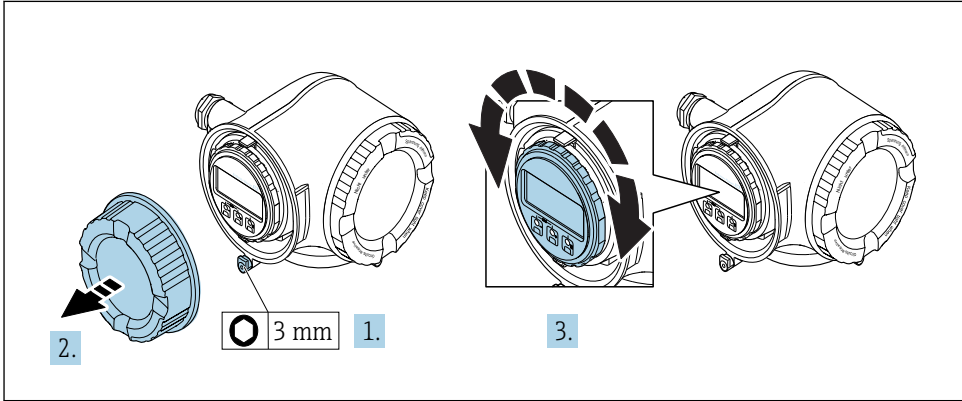


A0029993

1. Depending on the device version: Loosen the securing clamp of the connection compartment cover.
2. Unscrew the connection compartment cover.
3. Release the fixing screw.
4. Turn the housing to the desired position.
5. Firmly tighten the securing screw.
6. Screw on the connection compartment cover
7. Depending on the device version: Attach the securing clamp of the connection compartment cover.

### 4.3 Turning the display module

The display module can be turned to optimize display readability and operability.



A0030035

1. Depending on the device version: Loosen the securing clamp of the connection compartment cover.
2. Unscrew the connection compartment cover.
3. Turn the display module to the desired position: max.  $8 \times 45^\circ$  in each direction.
4. Screw on the connection compartment cover.
5. Depending on the device version: Attach the securing clamp of the connection compartment cover.

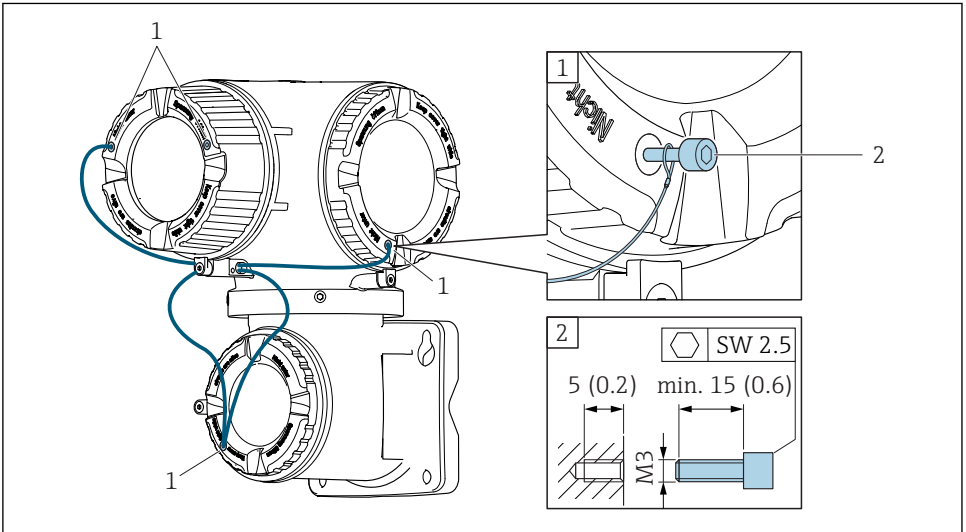
## 4.4 Cover locking

### NOTICE

Order code for , option L "Cast, stainless": The covers of the transmitter housing are provided with a borehole to lock the cover.

The cover can be locked using screws and a chain or cable provided by the customer.

- ▶ It is recommended to use stainless steel cables or chains.
- ▶ If a protective coating is applied, it is recommended to use a heat shrink tube to protect the housing paint.



- 1 Cover borehole for the securing screw  
 2 Securing screw to lock the cover

A0029799

## 4.5 Transmitter post-installation check

The post-installation check must always be performed after the following tasks:

- Mounting the transmitter housing:
  - Post mounting
  - Wall mounting
- Turning the transmitter housing
- Turning the display module

Is the device undamaged (visual inspection)?	<input type="checkbox"/>
Turning the transmitter housing: <ul style="list-style-type: none"> <li>■ Is the securing screw firmly tightened?</li> <li>■ Is the connection compartment cover screwed on tightly?</li> <li>■ Is the securing clamp firmly tightened?</li> </ul>	<input type="checkbox"/>
Turning the display module: <ul style="list-style-type: none"> <li>■ Is the connection compartment cover screwed on tightly?</li> <li>■ Is the securing clamp firmly tightened?</li> </ul>	<input type="checkbox"/>
Post and wall mounting: Are the securing screws firmly tightened?	<input type="checkbox"/>



## 5 Electrical connection

### NOTICE

**The measuring device does not have an internal circuit breaker.**

- ▶ For this reason, assign the measuring device a switch or power-circuit breaker so that the power supply line can be easily disconnected from the mains.
- ▶ Although the measuring device is equipped with a fuse, additional overcurrent protection (maximum 10 A) should be integrated into the system installation.

### 5.1 Connection conditions

#### 5.1.1 Required tools

- For cable entries: Use corresponding tools
- For securing clamp: Allen key 3 mm
- Wire stripper
- When using stranded cables: crimper for wire end ferrule
- For removing cables from terminal: Flat blade screwdriver  $\leq 3$  mm (0.12 in)

#### 5.1.2 Requirements for connecting cables

The connecting cables provided by the customer must fulfill the following requirements.

#### Electrical safety

In accordance with applicable federal/national regulations.

#### Protective ground cable

Cable  $\geq 2.08$  mm<sup>2</sup> (14 AWG)

The grounding impedance must be less than 1  $\Omega$ .

#### Permitted temperature range

- The installation guidelines that apply in the country of installation must be observed.
- The cables must be suitable for the minimum and maximum temperatures to be expected.

#### Power supply cable

Standard installation cable is sufficient.

#### Cable diameter

- Cable glands supplied:  
M20  $\times$  1.5 with cable  $\varnothing$  6 to 12 mm (0.24 to 0.47 in)
- Spring-loaded terminals: Suitable for strands and strands with ferrules.  
Conductor cross-section 0.2 to 2.5 mm<sup>2</sup> (24 to 12 AWG).

## Signal cable

### *EtherNet/IP*

The standard ANSI/TIA/EIA-568-B.2 Annex specifies CAT 5 as the minimum category for a cable used for EtherNet/IP. CAT 5e and CAT 6 are recommended.



For more information on planning and installing EtherNet/IP networks, please refer to the "Media Planning and Installation Manual, EtherNet/IP" of ODVA Organization

### *Current output 0/4 to 20 mA*

Standard installation cable is sufficient.

### *Pulse/frequency/switch output*

Standard installation cable is sufficient.

### *Relay output*

Standard installation cable is sufficient.

### *Current input 0/4 to 20 mA*

Standard installation cable is sufficient.

### *Status input*

Standard installation cable is sufficient.

## 5.1.3 Connecting cable

### Signal cable

<b>Standard cable</b>	3 × 0.38 mm <sup>2</sup> (20 AWG) with common, braided copper shield (∅ ~ 9.5 mm (0.37 in)) and individual shielded cores
<b>Cable for empty pipe detection (EPD)</b>	4 × 0.38 mm <sup>2</sup> (20 AWG) with common, braided copper shield (∅ ~ 9.5 mm (0.37 in)) and individual shielded cores
<b>Conductor resistance</b>	≤ 50 Ω/km (0.015 Ω/ft)
<b>Capacitance: core/shield</b>	≤ 420 pF/m (128 pF/ft)
<b>Cable length (max.)</b>	Depends on the medium conductivity, max. 200 m (656 ft)
<b>Cable lengths (available for order)</b>	5 m (15 ft), 10 m (32 ft), 20 m (65 ft) or variable length up to max. 200 m (656 ft)
<b>Operating temperature</b>	-20 to +80 °C (-68 to +176 °F)

### Coil current cable

<b>Standard cable</b>	3 × 0.75 mm <sup>2</sup> (18 AWG) with common, braided copper shield (∅ ~ 9 mm (0.35 in)) and individual shielded cores
<b>Conductor resistance</b>	≤ 37 Ω/km (0.011 Ω/ft)
<b>Capacitance: core/core, shield grounded</b>	≤ 120 pF/m (37 pF/ft)

<b>Cable length (max.)</b>	Depends on the medium conductivity, max. 200 m (656 ft)
<b>Cable lengths (available for order)</b>	5 m (15 ft), 10 m (32 ft), 20 m (65 ft) or variable length up to max. 200 m (656 ft)
<b>Operating temperature</b>	-20 to +80 °C (-68 to +176 °F)
<b>Test voltage for cable insulation</b>	≤ AC 1433 V rms 50/60 Hz or ≥ DC 2026 V

### 5.1.4 Terminal assignment

#### Transmitter: supply voltage, input/outputs

The terminal assignment of the inputs and outputs depends on the individual order version of the device. The device-specific terminal assignment is documented on an adhesive label in the terminal cover.

Supply voltage		Input/output 1	Input/output 2		Input/output 3	
1 (+)	2 (-)	EtherNet/IP (RJ45 connector)	24 (+)	25 (-)	22 (+)	23 (-)
Device-specific terminal assignment: adhesive label in terminal cover.						

#### Transmitter and sensor connection housing: connecting cable

The sensor and transmitter, which are mounted in separate locations, are interconnected by a connecting cable. The cable is connected via the sensor connection housing and the transmitter housing.



Terminal assignment and connection of the connecting cable → 26.

### 5.1.5 Device plugs available



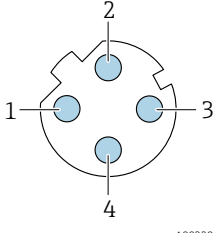
Device plugs may not be used in hazardous areas!

#### Order code for "Input; output 1", option NA "EtherNet/IP"

Order code for "Electrical connection"	Cable entry/connection	
	2	3
L, N, P, U	Connector M12 × 1	-
R <sup>1) 2)</sup> , S <sup>1) 2)</sup> , T <sup>1) 2)</sup> , V <sup>1) 2)</sup>	Connector M12 × 1	Connector M12 × 1

- Cannot be combined with an external WLAN antenna (order code for "Enclosed accessories", option P8) of an RJ45 M12 adapter for the service interface (order code for "Accessories mounted", option NB) or of the remote display and operating module DKX001
- Suitable for integrating the device in a ring topology.

### 5.1.6 Pin assignment of device plug

	<b>Pin</b>	<b>Assignment</b>	
	1	+	Tx
	2	+	Rx
	3	-	Tx
	4	-	Rx
<b>Coding</b>		<b>Plug/socket</b>	
D		Socket	

### 5.1.7 Preparing the measuring device

Carry out the steps in the following order:


1. Mount the sensor and transmitter.
2. Connection housing, sensor: Connect connecting cable.
3. Transmitter: Connect connecting cable.
4. Transmitter: Connect signal cable and cable for supply voltage.

#### NOTICE

#### Insufficient sealing of the housing!

Operational reliability of the measuring device could be compromised.

- ▶ Use suitable cable glands corresponding to the degree of protection.

1. Remove dummy plug if present.
2. If the measuring device is supplied without cable glands:  
Provide suitable cable gland for corresponding connecting cable.
3. If the measuring device is supplied with cable glands:  
Observe requirements for connecting cables →  17.

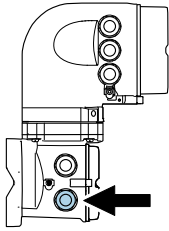
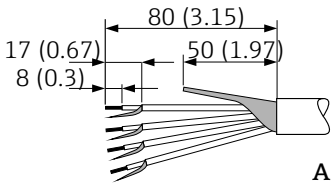
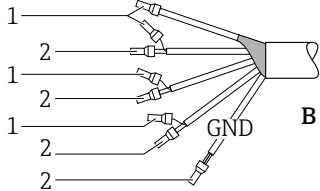
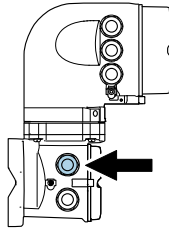
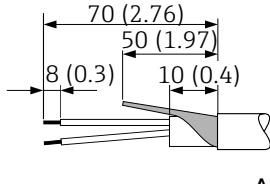
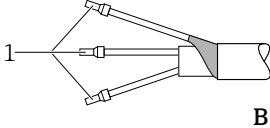
### 5.1.8 Preparing the connecting cable

When terminating the connecting cable, pay attention to the following points:

1. In the case of the electrode cable:  
Make sure that the ferrules do not touch the core shields on the sensor side. Minimum distance = 1 mm (exception: green "GND" cable)
2. In the case of the coil current cable:  
Insulate one core of the three-core cable at the level of the core reinforcement. You only require two cores for the connection.
3. For cables with fine-wire cores (stranded cables):  
Fit the cores with ferrules.

### Preparing the connecting cable: Promag H

#### Transmitter

Electrode cable	Coil current cable
   <p style="text-align: right;">A</p> <p style="text-align: right;">B</p> <p style="text-align: right;">A0029543</p>	   <p style="text-align: right;">A</p> <p style="text-align: right;">B</p> <p style="text-align: right;">A0029544</p>
<p>Engineering unit mm (in)</p> <p>A = Terminate the cable</p> <p>B = Fit ferrules on cables with fine-wire cores (stranded cables)</p> <p>1 = Red ferrules, <math>\phi</math> 1.0 mm (0.04 in)</p> <p>2 = White ferrules, <math>\phi</math> 0.5 mm (0.02 in)</p>	

Sensor

Electrode cable	Coil current cable
<p style="text-align: right;">A0029438</p>	<p style="text-align: right;">A0029439</p>
<p>Engineering unit mm (in)</p> <p>A = Terminate the cable</p> <p>B = Fit ferrules on cables with fine-wire cores (stranded cables)</p> <p>1 = Red ferrules, <math>\phi</math> 1.0 mm (0.04 in)</p> <p>2 = White ferrules, <math>\phi</math> 0.5 mm (0.02 in)</p>	

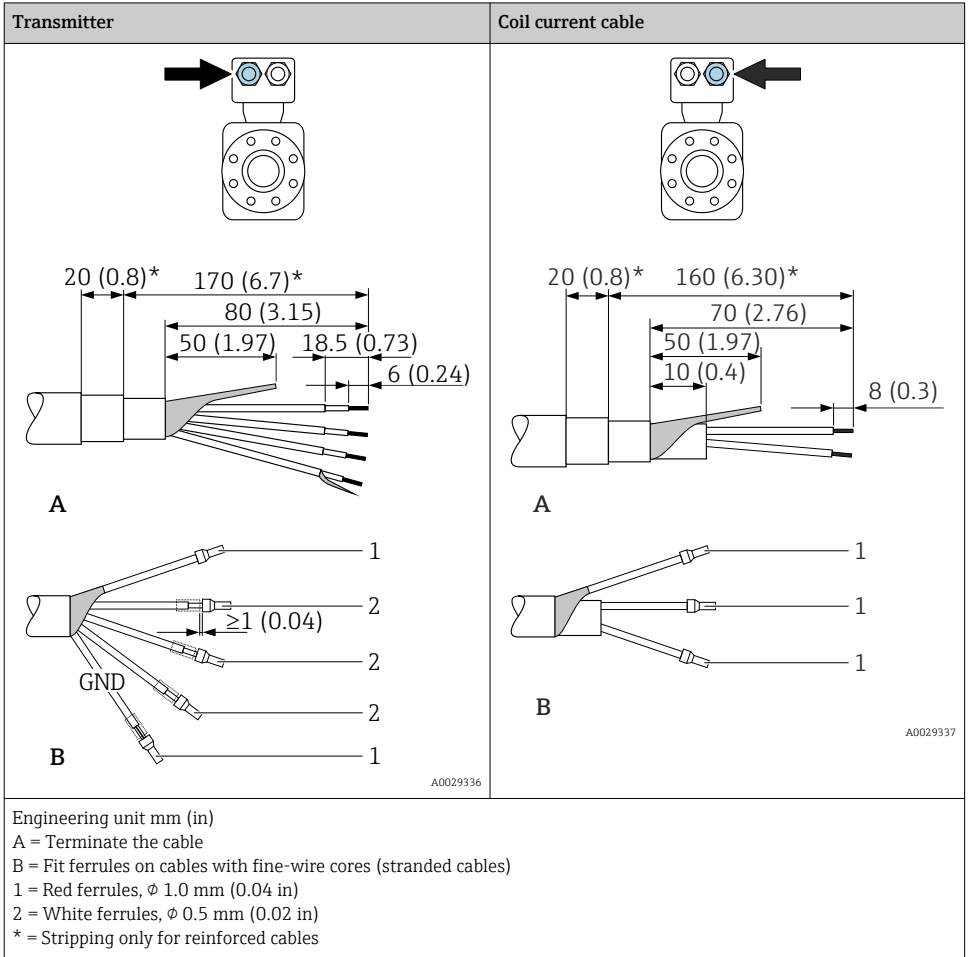
### Preparing the connecting cable: Promag P and Promag W

#### Transmitter

Electrode cable	Coil current cable
<p style="text-align: right;">A</p> <p style="text-align: right;">B</p> <p style="text-align: right;">A0029326</p>	<p style="text-align: right;">A</p> <p style="text-align: right;">B</p> <p style="text-align: right;">A0029329</p>
<p>Engineering unit mm (in)</p> <p>A = Terminate the cable</p> <p>B = Fit ferrules on cables with fine-wire cores (stranded cables)</p> <p>1 = Red ferrules, <math>\phi</math> 1.0 mm (0.04 in)</p> <p>2 = White ferrules, <math>\phi</math> 0.5 mm (0.02 in)</p> <p>* = Stripping only for reinforced cables</p>	



Sensor



## 5.2 Connecting the measuring device

### NOTICE

#### Limitation of electrical safety due to incorrect connection!

- ▶ Have electrical connection work carried out by appropriately trained specialists only.
- ▶ Observe applicable federal/national installation codes and regulations.
- ▶ Comply with local workplace safety regulations.
- ▶ Always connect the protective ground cable  $\ominus$  before connecting additional cables.
- ▶ For use in potentially explosive atmospheres, observe the information in the device-specific Ex documentation.

### 5.2.1 Connecting the connecting cable

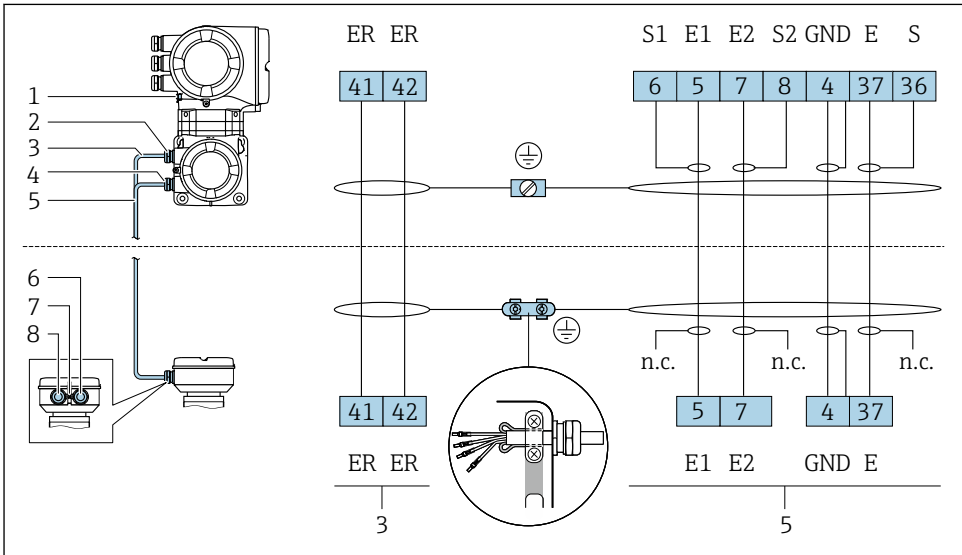
#### ⚠ WARNING

#### Risk of damaging the electronic components!

- ▶ Connect the sensor and transmitter to the same potential equalization.
- ▶ Only connect the sensor to a transmitter with the same serial number.
- ▶ Ground the connection housing of the sensor via the external screw terminal.

#### Connecting cable terminal assignment

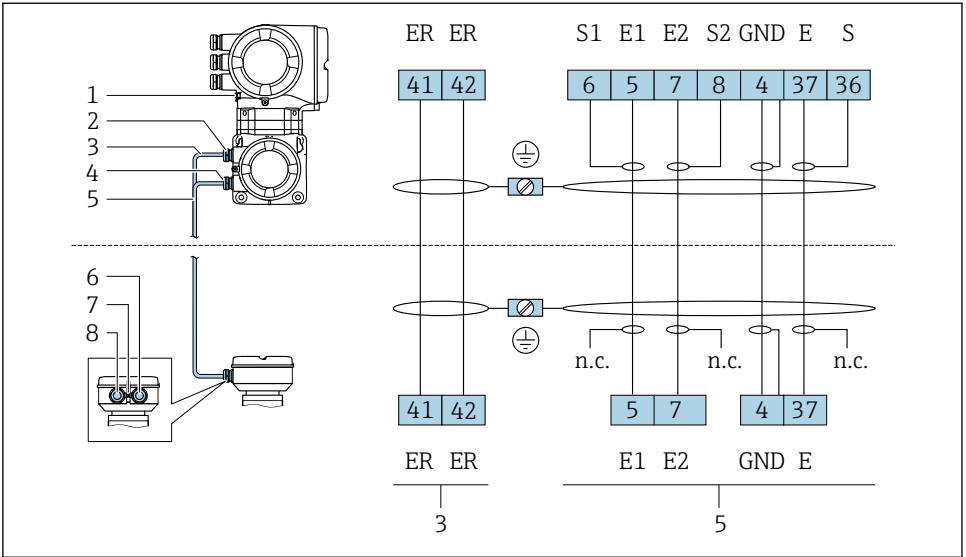
*Proline Promag H*



A0029444

- 1 Coil current cable
- 2 Signal cable

*Proline Promag P and Promag W*



A0029145

- 1 Coil current cable
- 2 Signal cable

**Connecting the connecting cable to the sensor connection housing**

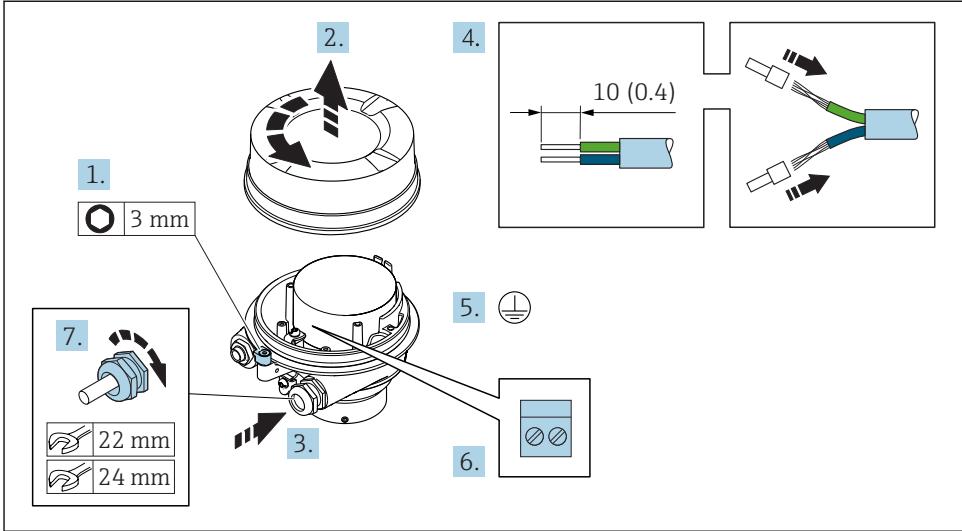
Connection via terminals with order code for "Housing"		Available for sensor
Option A "Aluminum coated"	→ ☰ 28	Promag P, W
Option D "Polycarbonate"	→ ☰ 28	Promag W
Option L "Cast, stainless"	→ ☰ 28	Promag P

Connection via terminals with order code for "Housing"		Available for sensor
Option B "Stainless, hygienic"	→ ☰ 29	Promag H

**Connecting the connecting cable to the transmitter**

The cable is connected to the transmitter via terminals → ☰ 30.

## Connecting the sensor connection housing via terminals



A0029612

1. Loosen the securing clamp of the housing cover.
2. Unscrew the housing cover.
3. Push the cable through the cable entry . To ensure tight sealing, do not remove the sealing ring from the cable entry.
4. Strip the cable and cable ends. In the case of stranded cables, fit ferrules.
5. Connect the protective ground.
6. Connect the cable in accordance with the connecting cable terminal assignment  
→ 26.
7. Firmly tighten the cable glands.
  - ↳ This concludes the process for connecting the connecting cables.

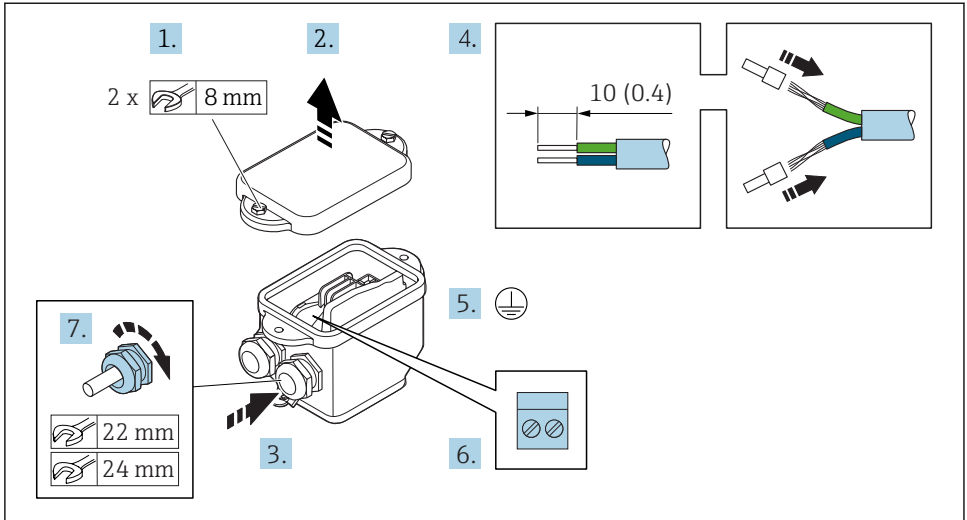
### **⚠ WARNING**

#### **Housing degree of protection voided due to insufficient sealing of the housing.**

- ▶ Screw in the thread on the cover without using any lubricant. The thread on the cover is coated with a dry lubricant.

8. Screw on the housing cover.
9. Tighten the securing clamp of the housing cover.

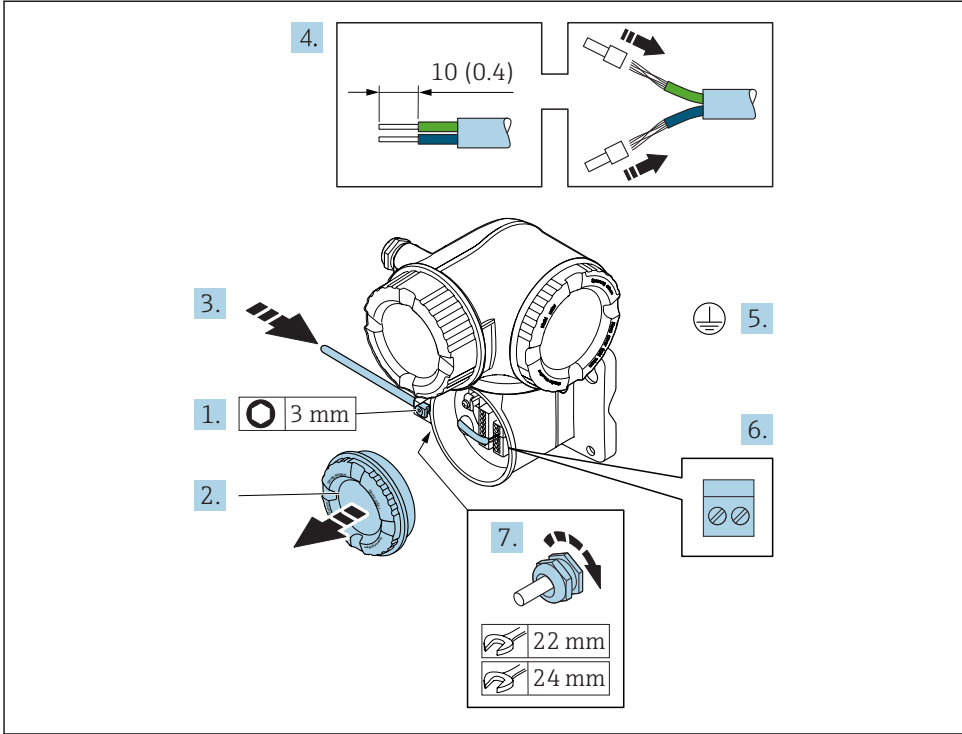
## Connecting the sensor connection housing via terminals



A0029617

1. Release the securing screw of the housing cover.
2. Open the housing cover.
3. Push the cable through the cable entry . To ensure tight sealing, do not remove the sealing ring from the cable entry.
4. Strip the cable and cable ends. In the case of stranded cables, fit ferrules.
5. Connect the protective ground.
6. Connect the cable in accordance with the connecting cable terminal assignment → 26.
7. Firmly tighten the cable glands.
  - ↳ This concludes the process for connecting the connecting cables.
8. Close the housing cover.
9. Tighten the securing screw of the housing cover.

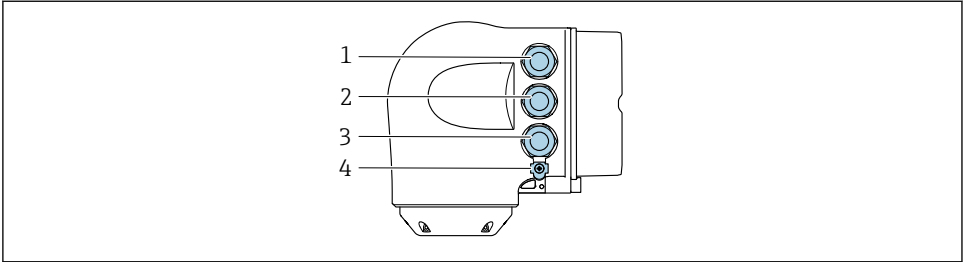
## Connecting the connecting cable to the transmitter



A0029592

1. Loosen the securing clamp of the connection compartment cover.
2. Unscrew the connection compartment cover.
3. Push the cable through the cable entry. To ensure tight sealing, do not remove the sealing ring from the cable entry.
4. Strip the cable and cable ends. In the case of stranded cables, also fit ferrules.
5. Connect the protective ground.
6. Connect the cable in accordance with the terminal assignment → 26.
7. Firmly tighten the cable glands.
  - ↳ This concludes the process for connecting the connecting cables.
8. Screw on the connection compartment cover.
9. Tighten the securing clamp of the connection compartment cover.
10. After connecting the connecting cables:
  - Connect the signal cable and the supply voltage cable → 31.

## 5.2.2 Connecting the transmitter



A0026781

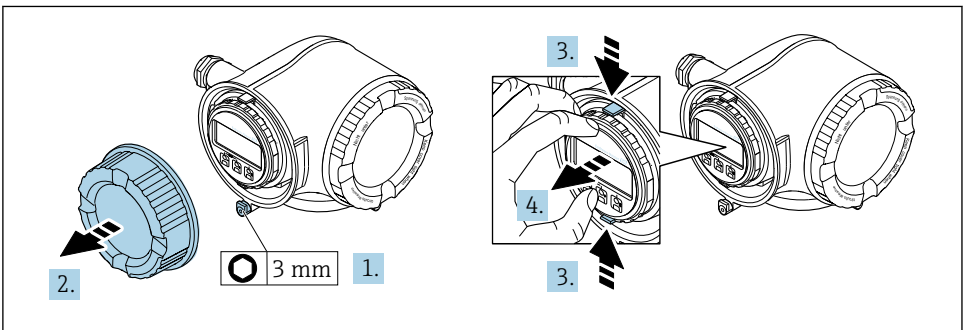
- 1 Terminal connection for supply voltage
- 2 Terminal connection for signal transmission, input/output
- 3 Terminal connection for signal transmission, input/output or terminal connection for network connection via service interface (CDI-RJ45)
- 4 Protective earth (PE)



In addition to connecting the device via EtherNet/IP and the available inputs/outputs, additional connection options are also available:

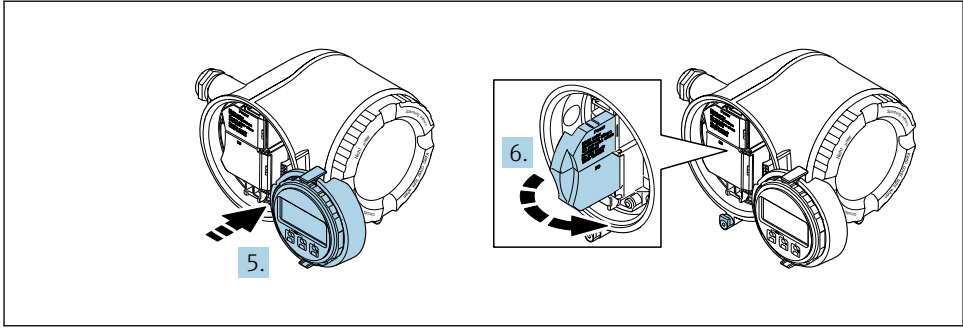
- Integrate into a network via the service interface (CDI-RJ45) → 35.
- Integrate the device into a ring topology → 36.

## Connecting the EtherNet/IP connector



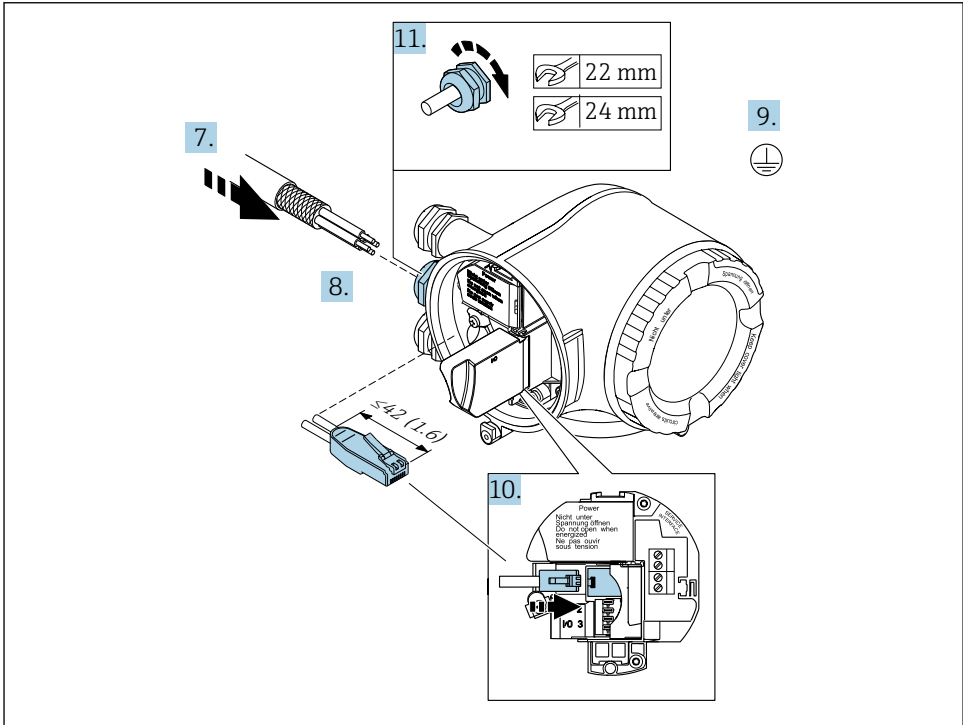
A0029813

1. Loosen the securing clamp of the connection compartment cover.
2. Unscrew the connection compartment cover.
3. Squeeze the tabs of the display module holder together.
4. Remove the display module holder.



A0029814

- 5. Attach the holder to the edge of the electronics compartment.
- 6. Open the terminal cover.



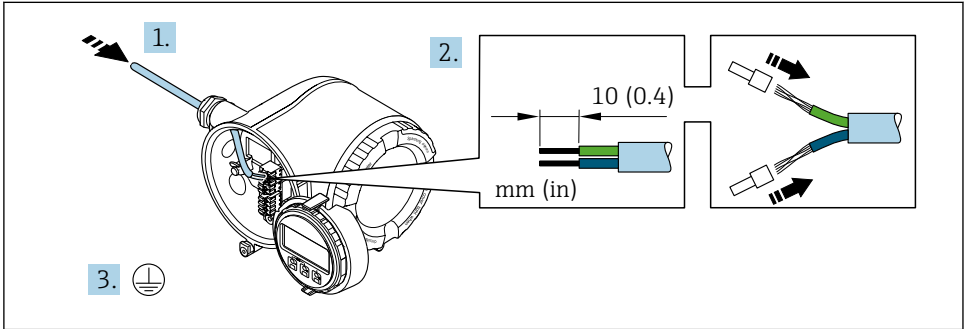
A0033722

- 7. Push the cable through the cable entry . To ensure tight sealing, do not remove the sealing ring from the cable entry.
- 8. Strip the cable and cable ends and connect to the RJ45 connector.
- 9. Connect the protective ground.



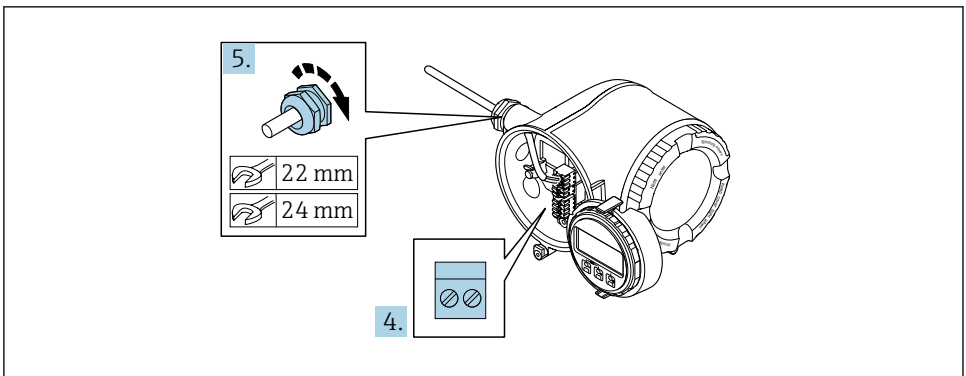
10. Plug in the RJ45 connector.
11. Firmly tighten the cable glands.
  - ↳ This concludes the EtherNet/IP connection process.

### Connecting the supply voltage and additional inputs/outputs



A0033983

1. Push the cable through the cable entry . To ensure tight sealing, do not remove the sealing ring from the cable entry.
2. Strip the cable and cable ends. In the case of stranded cables, also fit ferrules.
3. Connect the protective ground.

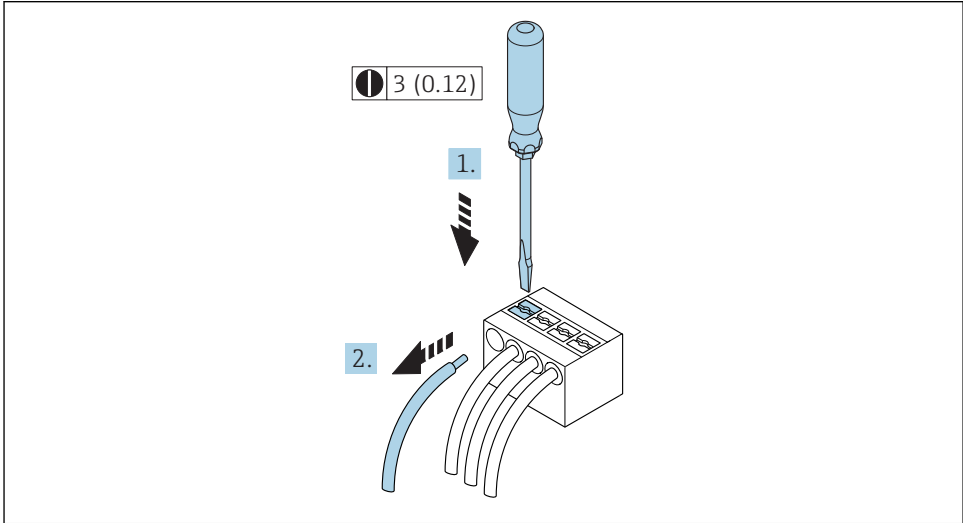


A0033984

4. Connect the cable in accordance with the terminal assignment .
  - ↳ **Signal cable terminal assignment:** The device-specific terminal assignment is documented on an adhesive label in the terminal cover.
  - Supply voltage terminal assignment:** Adhesive label in the terminal cover or → 20.
5. Firmly tighten the cable glands.
  - ↳ This concludes the cable connection process.
6. Close the terminal cover.

7. Fit the display module holder in the electronics compartment.
8. Screw on the connection compartment cover.
9. Secure the securing clamp of the connection compartment cover.

### Removing a cable



A0029598

 3 Engineering unit mm (in)

1. To remove a cable from the terminal, use a flat-blade screwdriver to push the slot between the two terminal holes
2. while simultaneously pulling the cable end out of the terminal.

### 5.2.3 Integrating the transmitter into a network

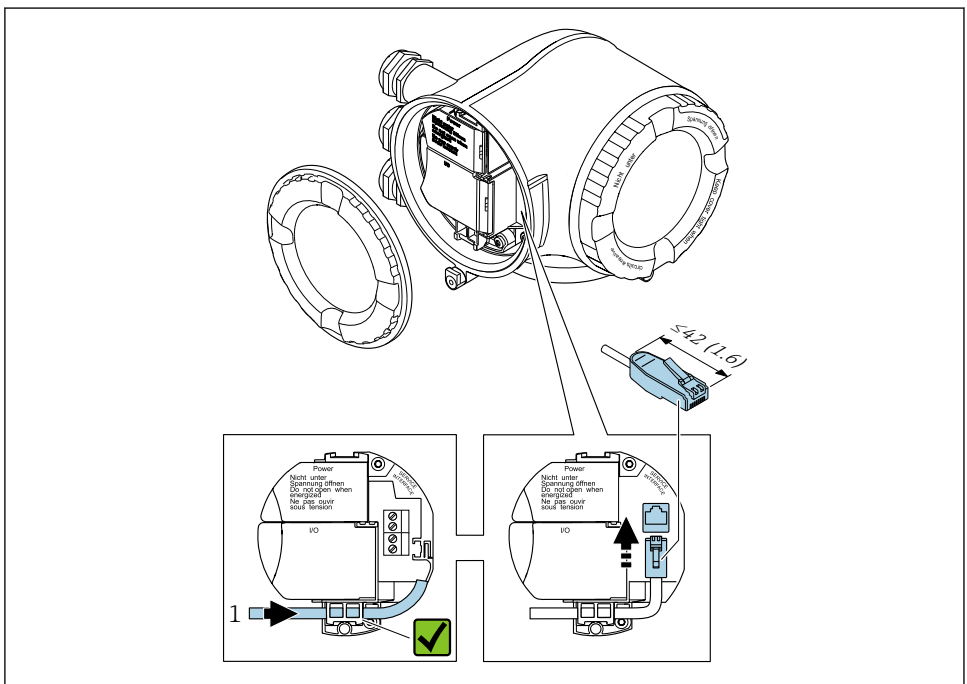
This section only presents the basic options for integrating the device into a network.

#### Integrating via the service interface

The device is integrated via the connection to the service interface (CDI-RJ45).

Note the following when connecting:

- Recommended cable: CAT 5e, CAT 6 or CAT 7, with shielded connector (e.g. brand: YAMAICHI ; Part No Y-ConProfixPlug63 / Prod. ID: 82-006660)
- Maximum cable thickness: 6 mm
- Length of connector including bend protection: 42 mm
- Bending radius: 5 x cable thickness



A0033703

1 Service interface (CDI-RJ45)



An adapter for RJ45 and the M12 connector is optionally available:  
Order code for "Accessories", option **NB**: "Adapter RJ45 M12 (service interface)"

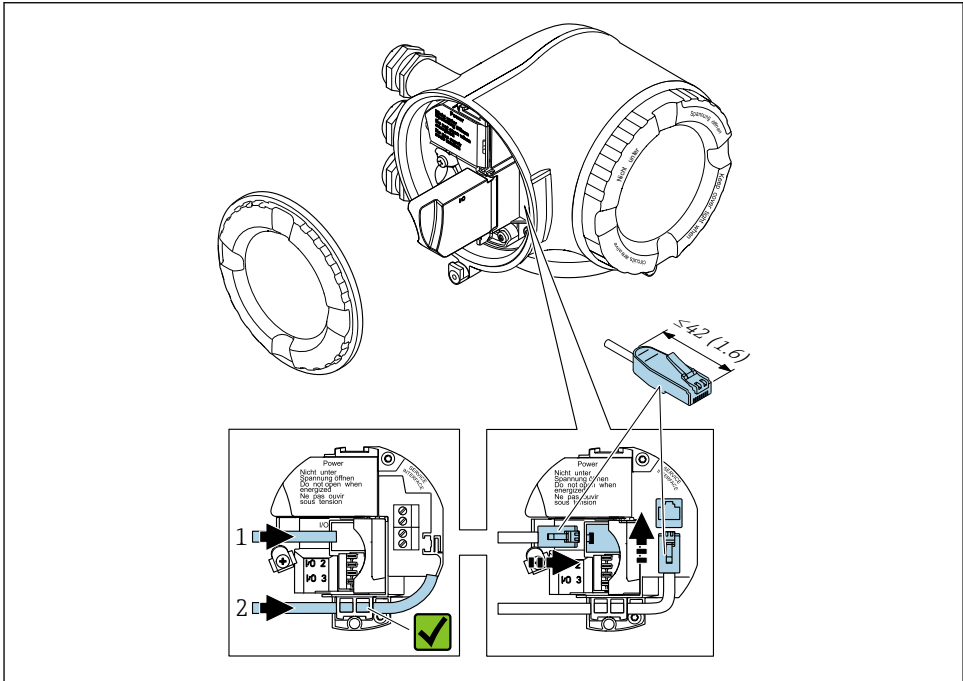
The adapter connects the service interface (CDI-RJ45) to an M12 connector mounted in the cable entry. Therefore the connection to the service interface can be established via an M12 connector without opening the device.

## Integrating into a ring topology

The device is integrated via the terminal connection for signal transmission (output 1) and the connection to the service interface (CDI-RJ45).

Note the following when connecting:

- Recommended cable: CAT5e, CAT6 or CAT7, with shielded connector (e.g. brand: YAMAICHI ; Part No Y-ConProfixPlug63 / Prod. ID: 82-006660)
- Maximum cable thickness: 6 mm
- Length of connector including bend protection: 42 mm
- Bending radius: 2.5 x cable thickness



A0033717

- 1 EtherNet/IP connection
- 2 Service interface (CDI-RJ45)



An adapter for RJ45 and the M12 connector is optionally available:

Order code for "Accessories", option **NB**: "Adapter RJ45 M12 (service interface)"

The adapter connects the service interface (CDI-RJ45) to an M12 connector mounted in the cable entry. Therefore the connection to the service interface can be established via an M12 connector without opening the device.

## 5.3 Hardware settings

### 5.3.1 Setting the device address

The IP address of the measuring device can be configured for the network via DIP switches.

#### Addressing data

IP address and configuration options			
1st octet	2nd octet	3rd octet	4th octet
192.	168.	1.	XXX
↓		↓	
Can only be configured via software addressing		Can be configured via software addressing and hardware addressing	


IP address range	1 to 254 (4th octet)
IP address broadcast	255
Addressing mode ex works	Software addressing; all DIP switches for hardware addressing are set to OFF.
IP address ex works	DHCP server active

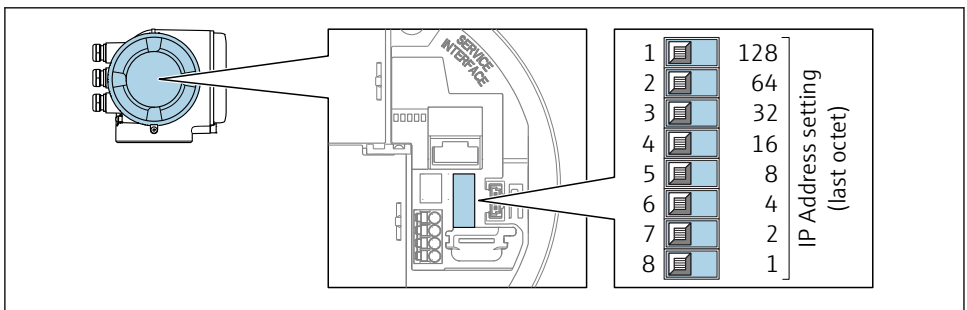
**i** Software addressing: The IP address is entered via the **IP address** parameter.

#### Setting the IP address

Risk of electric shock when opening the transmitter housing.

- ▶ Before opening the transmitter housing:
- ▶ Disconnect the device from the power supply.

**i** The default IP address may **not** be activated →  38.



A0029635

- ▶ Set the desired IP address using the corresponding DIP switches on the I/O electronics module.

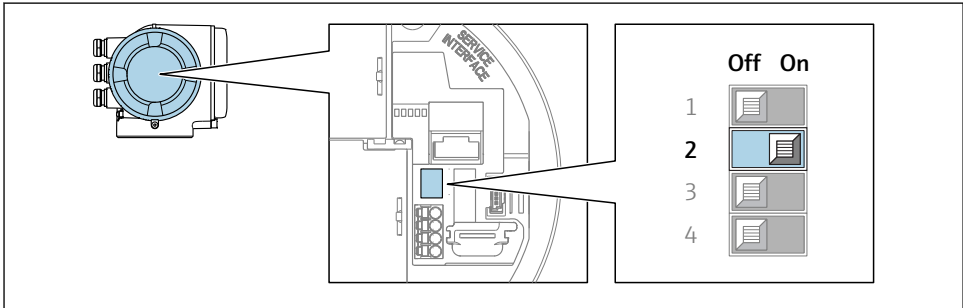
### 5.3.2 Activating the default IP address

The DHCP function is enabled in the device at the factory, i.e. the device expects an IP address to be assigned by the network. This function can be disabled and the device can be set to the default IP address 192.168.1.212 by DIP switch.

#### Activating the default IP address via the DIP switch

Risk of electric shock when opening the transmitter housing.

- ▶ Before opening the transmitter housing:
- ▶ Disconnect the device from the power supply.



A0034499

- ▶ Set DIP switch No. 2 on the I/O electronics module from **OFF** → **ON**.

## 5.4 Ensuring potential equalization

### 5.4.1 Proline Promag H



For devices intended for use in hazardous locations, please observe the guidelines in the Ex documentation (XA).

#### Metal process connections

Potential equalization is generally via the metal process connections that are in contact with the medium and mounted directly on the sensor. Therefore there is generally no need for additional potential equalization measures.

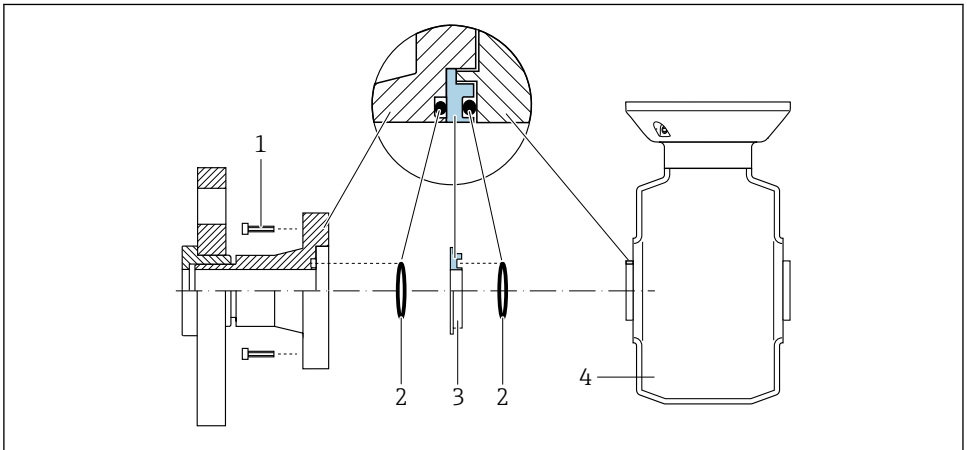
#### Plastic process connections

In the case of plastic process connections, additional grounding rings or process connections with an integrated grounding electrode must be used to ensure potential matching between the sensor and the fluid. If there is no potential matching, this can affect the measuring accuracy or cause the destruction of the sensor as a result of the electrochemical decomposition of the electrodes.

Note the following when using grounding rings:

- Depending on the option ordered, plastic disks are used instead of grounding rings on some process connections. These plastic disks only act as "spacers" and do not have any potential matching function. Furthermore, they also perform a significant sealing function at the sensor/connection interface. Therefore, in the case of process connections without metal grounding rings, these plastic disks/seals should never be removed and should always be installed!
- Grounding rings can be ordered separately as an accessory from Endress+Hauser . When ordering make sure that the grounding rings are compatible with the material used for the electrodes, as otherwise there is the danger that the electrodes could be destroyed by electrochemical corrosion!
- Grounding rings, including seals, are mounted inside the process connections. Therefore the installation length is not affected.

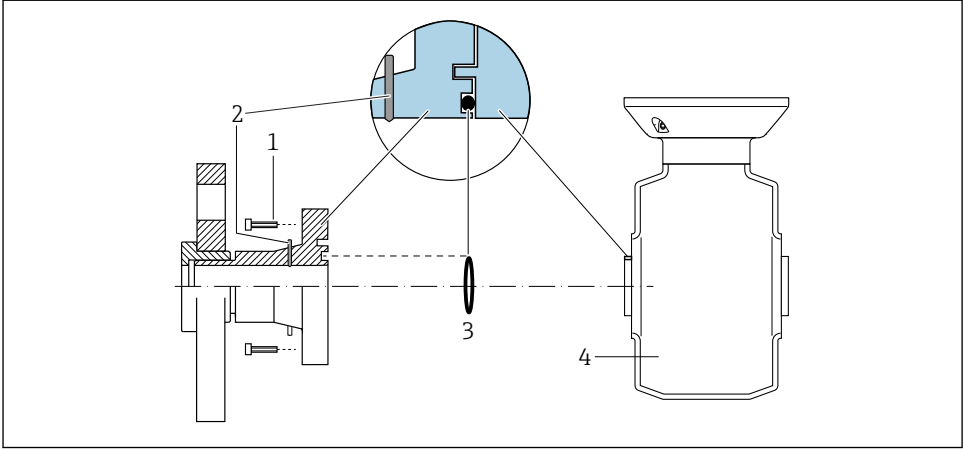
#### *Potential equalization via additional grounding ring*



A0028971

- 1 *Hexagonal-headed bolts of process connection*
- 2 *O-ring seals*
- 3 *Plastic disk (spacer) or grounding ring*
- 4 *Sensor*


### Potential equalization via grounding electrodes on process connection



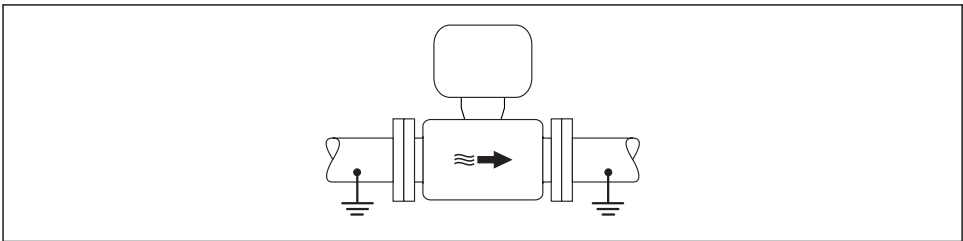
A0028972

- 1 Hexagonal-headed bolts of process connection
- 2 Integrated grounding electrodes
- 3 O-ring seal
- 4 Sensor


### 5.4.2 Promag P and Promag W

 For devices intended for use in hazardous locations, please observe the guidelines in the Ex documentation (XA).

#### Metal, grounded pipe



A0016315

-  4 Potential equalization via measuring tube

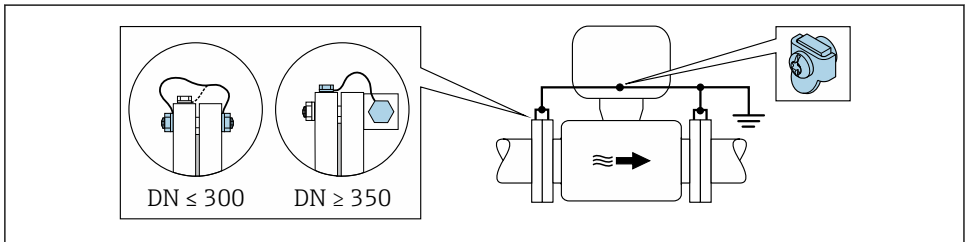
#### Unlined and ungrounded metal pipe

This connection method also applies in situations where:

- The customary potential equalization is not used
- Equalizing currents are present



<b>Ground cable</b>	Copper wire, at least 6 mm <sup>2</sup> (0.0093 in <sup>2</sup> )
---------------------	---



A0029338

#### 5 Potential equalization via ground terminal and pipe flanges

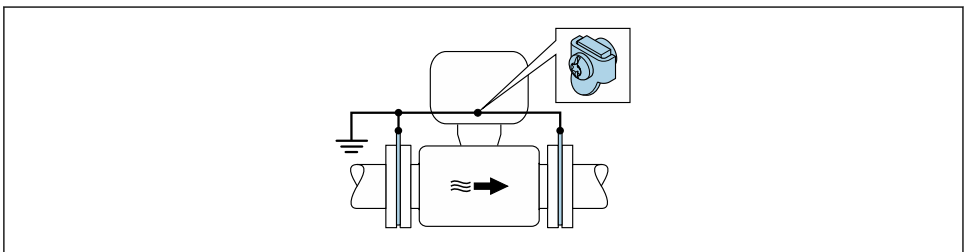
1. Connect both sensor flanges to the pipe flange via a ground cable and ground them.
2. If DN ≤ 300 (12"): Mount the ground cable directly on the conductive flange coating of the sensor with the flange screws.
3. If DN ≥ 350 (14"): Mount the ground cable directly on the metal transport bracket. Observe screw tightening torques: see the Sensor Brief Operating Instructions.
4. Connect the connection housing of the transmitter or sensor to ground potential by means of the ground terminal provided for the purpose.

#### Plastic pipe or pipe with insulating liner

This connection method also applies in situations where:

- The customary potential equalization is not used
- Equalizing currents are present

<b>Ground cable</b>	Copper wire, at least 6 mm <sup>2</sup> (0.0093 in <sup>2</sup> )
---------------------	---



A0029339

#### 6 Potential equalization via ground terminal and ground disks

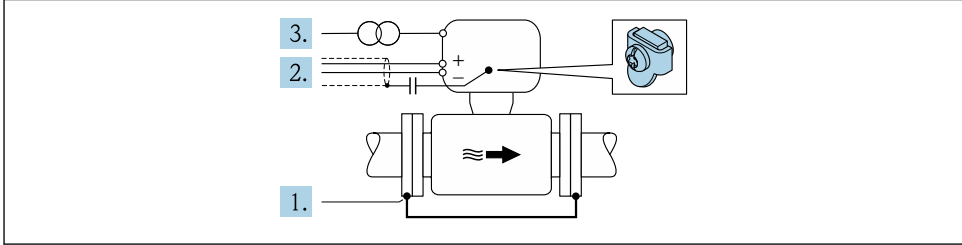
1. Connect the ground disks to the ground terminal via the ground cable.
2. Connect the ground disks to ground potential.

## Pipe with a cathodic protection unit

This connection method is only used if the following two conditions are met:

- Metal pipe without liner or pipe with electrically conductive liner
- Cathodic protection is integrated in the personal protection equipment

<b>Ground cable</b>	Copper wire, at least 6 mm <sup>2</sup> (0.0093 in <sup>2</sup> )
---------------------	---



A0029340

Prerequisite: The sensor is installed in the pipe in a way that provides electrical insulation.

1. Connect the two flanges of the pipe to one another via a ground cable.
2. Guide the shield of the signal lines through a capacitor.
3. Connect the measuring device to the power supply such that it is floating in relation to the protective ground (isolation transformer).

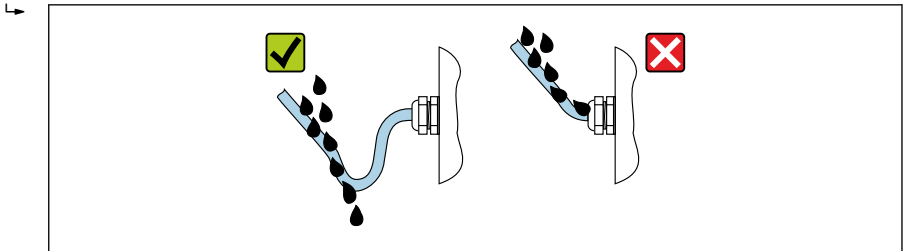
## 5.5 Ensuring the degree of protection

The measuring device fulfills all the requirements for the IP66/67 degree of protection, Type 4X enclosure.

To guarantee IP66/67 degree of protection, Type 4X enclosure, carry out the following steps after the electrical connection:

1. Check that the housing seals are clean and fitted correctly.
2. Dry, clean or replace the seals if necessary.
3. Tighten all housing screws and screw covers.
4. Firmly tighten the cable glands.

- 5. To ensure that moisture does not enter the cable entry:  
Route the cable so that it loops down before the cable entry ("water trap").



A0029278

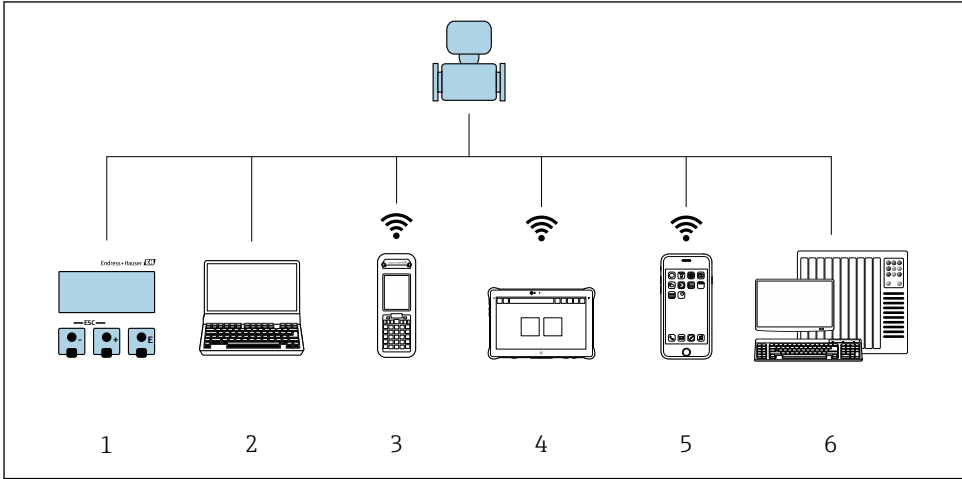
- 6. Insert dummy plugs into unused cable entries.

### 5.6 Post-connection check

Are cables or the device undamaged (visual inspection)?	<input type="checkbox"/>
Do the cables used meet the requirements?	<input type="checkbox"/>
Do the cables have adequate strain relief?	<input type="checkbox"/>
Are all the cable glands installed, firmly tightened and leak-tight? Cable run with "water trap" → 42?	<input type="checkbox"/>
Is the potential equalization established correctly ?	<input type="checkbox"/>

## 6 Operation options

### 6.1 Overview of operation options

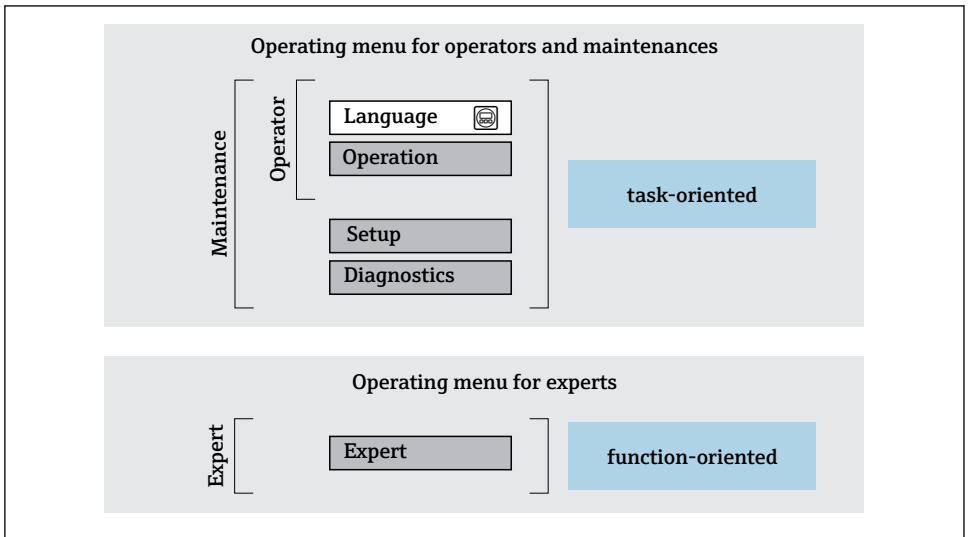


A0034513

- 1 Local operation via display module
- 2 Computer with Web browser (e.g. Internet Explorer) or with operating tool (e.g. FieldCare, DeviceCare, AMS Device Manager, SIMATIC PDM)
- 3 Field Xpert SFX350 or SFX370
- 4 Field Xpert SMT70
- 5 Mobile handheld terminal
- 6 Control system (e.g. PLC)

## 6.2 Structure and function of the operating menu

### 6.2.1 Structure of the operating menu



A0014058-EN

7 Schematic structure of the operating menu

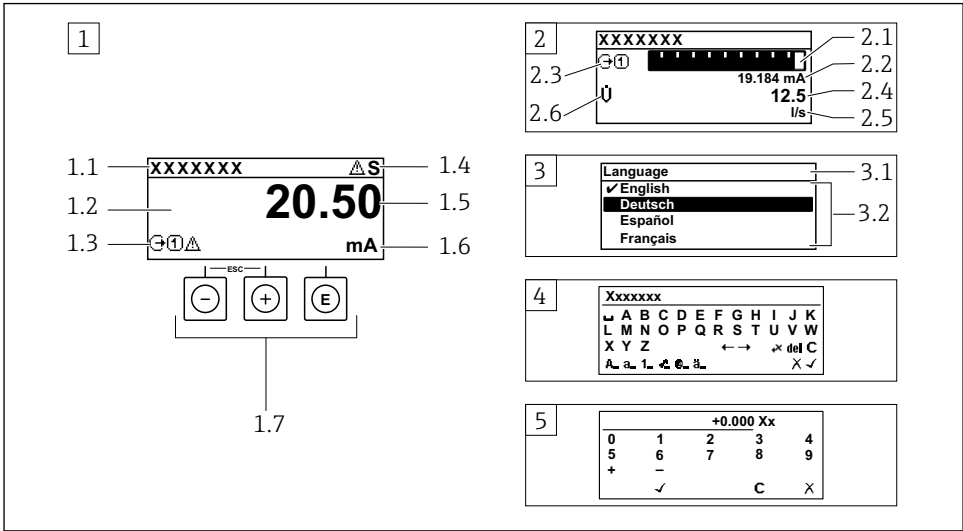
### 6.2.2 Operating philosophy

The individual parts of the operating menu are assigned to certain user roles (operator, maintenance etc.). Each user role contains typical tasks within the device lifecycle.



For detailed information on the operating philosophy, see the Operating Instructions for the device.

### 6.3 Access to the operating menu via the local display



A0014013

- 1 Operational display with measured value shown as "1 value, max." (example)
  - 1.1 Device tag
  - 1.2 Display area for measured values (4-line)
  - 1.3 Explanatory symbols for measured value: Measured value type, measuring channel number, symbol for diagnostic behavior
  - 1.4 Status area
  - 1.5 Measured value
  - 1.6 Unit for the measured value
  - 1.7 Operating elements
- 2 Operational display with measured value shown as "1 bar graph + 1 value" (example)
  - 2.1 Bar graph display for measured value 1
  - 2.2 Measured value 1 with unit
  - 2.3 Explanatory symbols for measured value 1: measured value type, measuring channel number
  - 2.4 Measured value 2
  - 2.5 Unit for measured value 2
  - 2.6 Explanatory symbols for measured value 2: measured value type, measuring channel number
- 3 Navigation view: picklist of a parameter
  - 3.1 Navigation path and status area
  - 3.2 Display area for navigation: ✓ designates the current parameter value
- 4 Editing view: text editor with input mask
- 5 Editing view: numeric editor with input mask

### 6.3.1 Operational display

Explanatory symbols for the measured value	Status area
<ul style="list-style-type: none"> <li>▪ Depends on the device version, e.g.:                             <ul style="list-style-type: none"> <li>- : Volume flow</li> <li>- : Mass flow</li> <li>- : Density</li> <li>- : Conductivity</li> <li>- : Temperature</li> </ul> </li> <li>▪ : Totalizer</li> <li>▪ : Output</li> <li>▪ : Input</li> <li>▪  ... : Measurement channel number <sup>1)</sup></li> <li>▪ Diagnostic behavior <sup>2)</sup> <ul style="list-style-type: none"> <li>- : Alarm</li> <li>- : Warning</li> </ul> </li> </ul>	<p>The following symbols appear in the status area of the operational display at the top right:</p> <ul style="list-style-type: none"> <li>▪ Status signals                             <ul style="list-style-type: none"> <li>- <b>F</b>: Failure</li> <li>- <b>C</b>: Function check</li> <li>- <b>S</b>: Out of specification</li> <li>- <b>M</b>: Maintenance required</li> </ul> </li> <li>▪ Diagnostic behavior                             <ul style="list-style-type: none"> <li>- : Alarm</li> <li>- : Warning</li> </ul> </li> <li>▪ : Locking (locked via hardware))</li> <li>▪ : Communication via remote operation is active.</li> </ul>

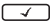
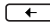
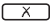


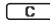
- 1) If there is more than one channel for the same measured variable type (totalizer, output etc.).
- 2) For a diagnostic event that concerns the displayed measured variable.

### 6.3.2 Navigation view




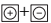
Status area	Display area
<p>The following appears in the status area of the navigation view in the top right corner:</p> <ul style="list-style-type: none"> <li>▪ In the submenu                             <ul style="list-style-type: none"> <li>- The direct access code for the parameter you are navigating to (e.g. 0022-1)</li> <li>- If a diagnostic event is present, the diagnostic behavior and status signal</li> </ul> </li> <li>▪ In the wizard                             <ul style="list-style-type: none"> <li>- If a diagnostic event is present, the diagnostic behavior and status signal</li> </ul> </li> </ul>	<ul style="list-style-type: none"> <li>▪ Icons for menus                             <ul style="list-style-type: none"> <li>- : Operation</li> <li>- : Setup</li> <li>- : Diagnostics</li> <li>- : Expert</li> </ul> </li> <li>▪ : Submenus</li> <li>▪ : Wizards</li> <li>▪ : Parameters within a wizard</li> <li>▪ : Parameter locked</li> </ul>

### 6.3.3 Editing view

Text editor	Correction symbols under
Confirms selection.	Clears all entered characters.
Exits the input without applying the changes.	Moves the input position one position to the right.
Clears all entered characters.	Moves the input position one position to the left.
Switches to the selection of the correction tools.	Deletes one character immediately to the left of the input position.
Toggle <ul style="list-style-type: none"> <li>▪ Between upper-case and lower-case letters</li> <li>▪ For entering numbers</li> <li>▪ For entering special characters</li> </ul>	

Numeric editor	
 Confirms selection.	 Moves the input position one position to the left.
 Exits the input without applying the changes.	 Inserts decimal separator at the input position.
 Inserts minus sign at the input position.	 Clears all entered characters.

### 6.3.4 Operating elements

Keys and meaning
<p> <b>Enter key</b></p> <p><i>With an operational display</i> Pressing the key briefly opens the operating menu.</p> <p><i>In a menu, submenu</i></p> <ul style="list-style-type: none"> <li>■ Pressing the key briefly:                     <ul style="list-style-type: none"> <li>- Opens the selected menu, submenu or parameter.</li> <li>- Starts the wizard.</li> <li>- If help text is open:                             <ul style="list-style-type: none"> <li>Closes the help text of the parameter.</li> </ul> </li> </ul> </li> <li>■ Pressing the key for 2 s in the case of a parameter: If present, opens the help text for the function of the parameter.</li> </ul> <p><i>With a wizard:</i> Opens the editing view of the parameter.</p> <p><i>With a text and numeric editor</i></p> <ul style="list-style-type: none"> <li>■ Press the key briefly: confirm your selection.</li> <li>■ Press the key for 2 s: confirm the entry.</li> </ul>
<p> <b>Minus key</b></p> <ul style="list-style-type: none"> <li>■ <i>In a menu, submenu:</i> Moves the selection bar upwards in a picklist.</li> <li>■ <i>With a wizard:</i> Confirms the parameter value and goes to the previous parameter.</li> <li>■ <i>With a text and numeric editor:</i> Moves the cursor position to the left.</li> </ul>
<p> <b>Plus key</b></p> <ul style="list-style-type: none"> <li>■ <i>In a menu, submenu:</i> Moves the selection bar downwards in a picklist.</li> <li>■ <i>With a wizard:</i> Confirms the parameter value and goes to the next parameter.</li> <li>■ <i>With a text and numeric editor:</i> Moves the cursor position to the right.</li> </ul>
<p> <b>Escape key combination (press keys simultaneously)</b></p> <p><i>In a menu, submenu</i></p> <ul style="list-style-type: none"> <li>■ Pressing the key briefly:                     <ul style="list-style-type: none"> <li>- Exits the current menu level and takes you to the next higher level.</li> <li>- If help text is open, closes the help text of the parameter.</li> </ul> </li> <li>■ Pressing the key for 2 s in the case of a parameter: Returns you to the operational display ("home position").</li> </ul> <p><i>With a wizard:</i> Exits the wizard and takes you to the next higher level.</p> <p><i>With a text and numeric editor:</i> Closes the editor view without applying any changes.</p>



**Keys and meaning****Minus/Enter key combination (press the keys simultaneously)**

*With an operational display:*

- If keypad lock is active:  
Press the key for 3 s: Deactivates the keypad lock.
- If keypad lock is not active:  
Press the key for 3 s: Opens the context menu including the option for activating the keypad lock.

**6.3.5 Further information**

For further information on the following topics, see the Operating Instructions for the device

- Calling up help text
- User roles and related access authorization
- Disabling write protection via access code
- Enabling and disabling the keypad lock

**6.4 Access to the operating menu via the operating tool**

The operating menu can also be accessed via the FieldCare and DeviceCare operating tools. See the Operating Instructions for the device.

**6.5 Access to the operating menu via the Web server**

The operating menu can also be accessed via the Web server. See the Operating Instructions for the device.

**7 System integration**

A detailed description of how to integrate the device into an automation system (e.g. from Rockwell Automation) is available as a separate document: [www.endress.com](http://www.endress.com) → Select country → Automation → Digital communication → Fieldbus device integration → EtherNet/IP

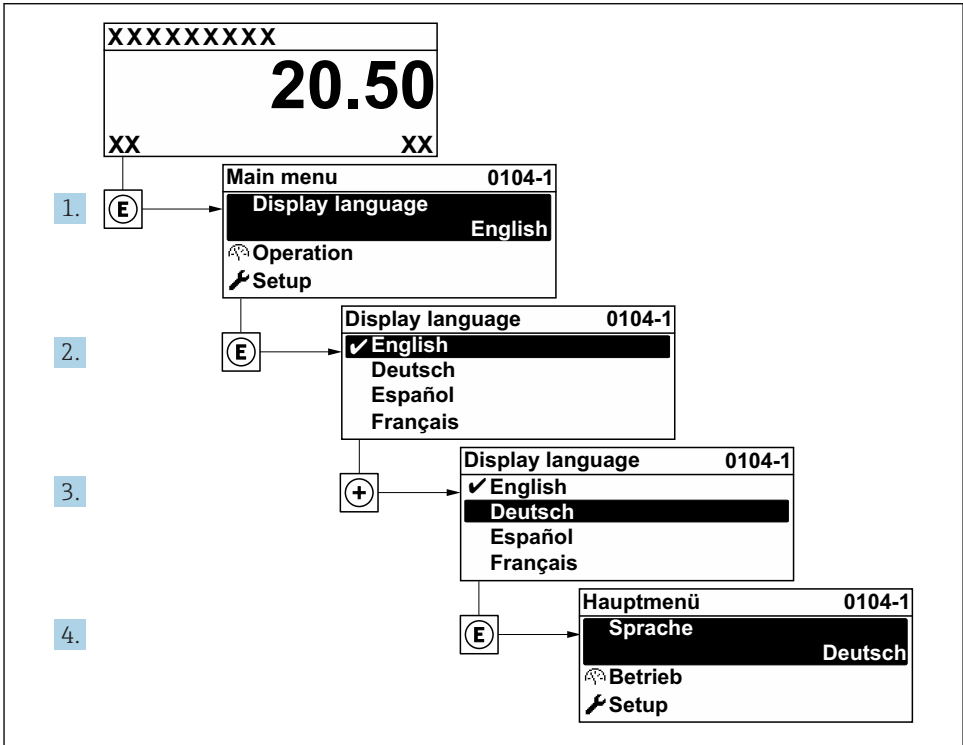
**8 Commissioning****8.1 Function check**

Before commissioning the measuring device:

- ▶ Make sure that the post-installation and post-connection checks have been performed.
  - "Post-installation check" checklist → 16
  - "Post-connection check" checklist → 43

## 8.2 Setting the operating language

Factory setting: English or ordered local language



A0029420

8 Taking the example of the local display

## 8.3 Configuring the measuring device

The **Setup** menu with its submenus and guided wizards is used for fast commissioning of the device. They contain all the parameters required for configuration, such as for measurement or communication.

Depending on the device version, not all submenus and parameters are available in every device. The selection can vary depending on the order code.

Example: Available submenus, wizards	Meaning
System units	Configure the units for all measured values
User interface	Configure the display format on the local display
Low flow cut off	Set the low flow cut off

Example: Available submenus, wizards	Meaning
Empty pipe detection	Configure empty pipe detection
Advanced setup	Additional parameters for configuration: <ul style="list-style-type: none"> <li>▪ Sensor adjustment</li> <li>▪ Totalizer</li> <li>▪ User interface</li> <li>▪ Electrode cleaning circuit</li> <li>▪ WLAN settings</li> <li>▪ Data backup</li> <li>▪ Administration</li> </ul>

## 8.4 Protecting settings from unauthorized access

The following write protection options exist in order to protect the configuration of the measuring device from unintentional modification:

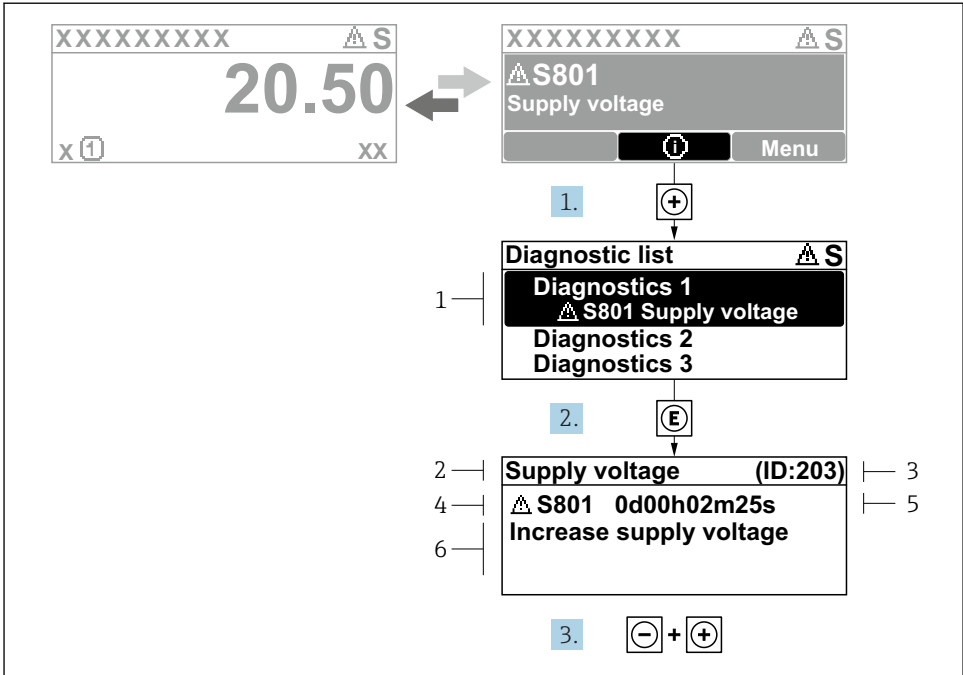
- Protect access to parameters via access code
- Protect access to local operation via key locking
- Protect access to measuring device via write protection switch



For detailed information on protecting the settings against unauthorized access, see the Operating Instructions for the device.

## 9 Diagnostic information

Faults detected by the self-monitoring system of the measuring device are displayed as a diagnostic message in alternation with the operational display. The message about remedial measures can be called up from the diagnostic message, and contains important information on the fault.



A0029431-EN

9 Message about remedial measures

- 1 Diagnostic information
- 2 Short text
- 3 Service ID
- 4 Diagnostic behavior with diagnostic code
- 5 Operation time of occurrence
- 6 Remedial measures

1. The user is in the diagnostic message.  
Press  $\oplus$  (ⓘ symbol).  
↳ The **Diagnostic list** submenu opens.
2. Select the desired diagnostic event with  $\oplus$  or  $\ominus$  and press  $\text{E}$  .  
↳ The message about the remedial measures opens.
3. Press  $\ominus + \oplus$  simultaneously.  
↳ The message about the remedial measures closes.







[www.addresses.endress.com](http://www.addresses.endress.com)

---