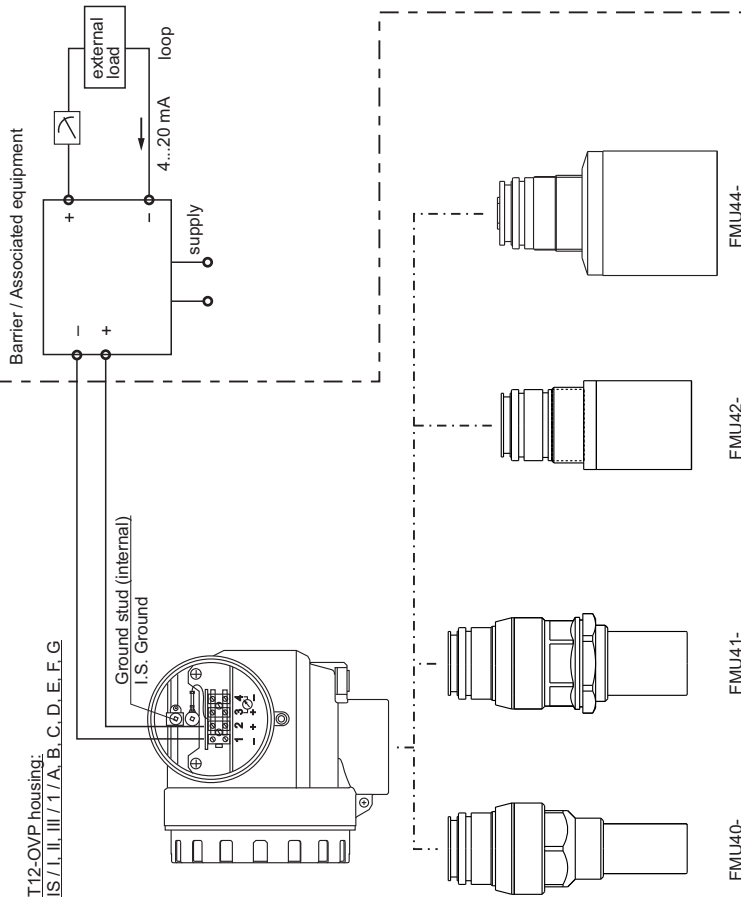


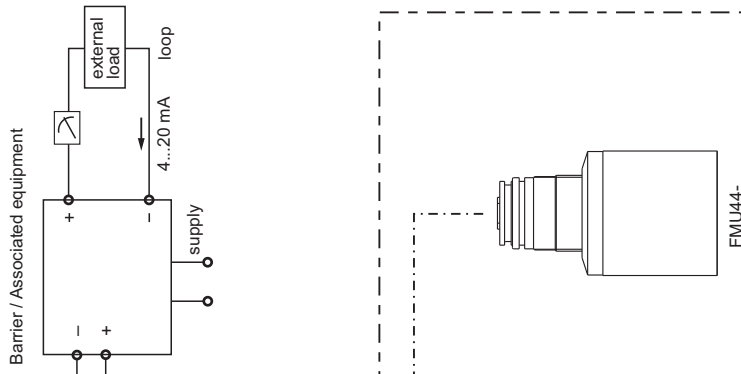
HAZARDOUS LOCATION

Class I, Div. 1, Groups A, B, C, D
 Class I, Zone 0, Ex ia IIC Ga
 Class II, Div. 1, Groups E, F, G
 Class III

T12-OVP housing:
 IS / I, II, III / T / A, B, C, D, E, F, G



NON HAZARDOUS LOCATION



Notes:

Intrinsically safe installation

Intrinsically Safe (Ex ia), Class I, Div. 1, Groups A, B, C, D, Class II, Div. 1, Groups E, F, G, Class III or Ex ia IIC Ga Hazardous Location Installation

- Control room equipment may not use or generate over 250 V_{RMS}.
 - The installation must be in accordance with the Canadian Electrical Code (CEC).
 - Warning: Substitution of components may impair intrinsic safety.
 Avertissement: La substitution de composants peut compromettre la sécurité intrinsèque.
 - For entity installation use CSA certified safety barrier or other associated equipment that satisfy the following conditions: with $U_o / V_{oc} \leq U_i / V_{max}$, $I_o / I_{sc} \leq I_i / I_{max}$, $C_o / C_g \geq C_i + C_{cable}$, $L_o / L_g \geq L_i + L_{cable}$
- | | | | | |
|---------------------|----------------------|---------------------|------------------|------------------|
| U_o / V_{max} [V] | I_o / I_{max} [mA] | P_o / P_{max} [W] | C_o / C_g [nF] | L_o / L_g [µH] |
| 30 | 273 | 1.0 | ≤ 13 | negligible |
- Caution: Use only supply wires suitable for 5K above surrounding temperature.
 Utiliser des fils de l'alimentation qui conviennent à une température de 5 K au-dessus de la température ambiante.
 - Install barrier / associated apparatus in accordance with manufacturer's instructions.
 - Internal CDI connector provides intrinsically safe circuits for connection to CSA certified Endress+Hauser Service Interface, type Commbox FXA193 with ToF-Cable from Endress+Hauser. FXA193 must be located in the non-hazardous area. Refer to safety instructions of the Commbox FXA193.

Non-Intrinsically safe installation

- Class I, Div. 2, Groups A, B, C, D and Class II, III, Div. 1, Groups E, F, G Hazardous Location Installation
- Install per Canadian Electrical Code (CEC) using wiring methods described in the applicable Rules of Appendix J for the location of installation. Intrinsic safety barrier not required. Max. supply voltage 30 V. For T-code see table.
 - Warning: Explosion Hazard - Do not disconnect equipment unless power has been switched off or the area is known to be non-hazardous.
 Avertissement: Risque d'explosion - Avant de déconnecter l'équipement, couper le courant ou s'assurer que l'emplacement est désigné non dangereux.
 Warning: Explosion hazard - Substitution of components may impair suitability for Class I, Div. 2.
 Avertissement: Risque d'explosion - La substitution de composants peut rendre ce matériel inacceptable pour les emplacements de Class I, Div. 2.
 - Internal CDI connector provides non-incendive field wiring circuits for connection to CSA certified Endress+Hauser Service Interface, type Commbox FXA193 with ToF-Cable from Endress+Hauser. FXA193 must be located in the non-hazardous area. Refer to safety instructions of the Commbox FXA193.

Area of application

The compact instruments are suitable for use in areas subject to explosion caused by gases, vapours or mists.

Permissible ambient temperature:

Electronics: intrinsically safe, T12-OVP enclosure: -40...+80 °C (-40...+176 °F)
 Sensors: (FMU40, FMU41, FMU42, FMU44): -40...+80 °C (-40...+176 °F)

Permissible process / ambient temperature and temperature code:

Temperature code of FMU40/41/42/44	Permissible medium temperature (flange)	Permissible ambient temperature of electronics compartment as a function of medium temperature (sensor)
T6	+60 °C	+60 °C
T5	+80 °C	+75 °C
T4	+80 °C	+80 °C

In case of FMU44 avoid electrostatic charge at the sensor (e.g. do not rub with dry cloth; do not install within the filling curtain).

For Class II and III, Div. 1:

Warning: Keep covers tight when explosive dust atmosphere is present.

Avertissement: Garder les couvercles bien fermés en présence d'une atmosphère poussiéreuse explosive.

XA02002F-D/00/EN/01.19
 CCS/FM10
 CSA/D 29.05.19



71463318

CSA Control Drawing 960006282 D

Prosonic M
 FMU40, FMU41, FMU42, FMU44
 HART
 IS / T12-OVP

Endress + Hauser
 People for Process Automation

