


Installation Instructions

Replacing transmitter parts

Prowirl 72, 73, Prosonic Flow 92

EN Installation Instructions: EA00043D →  3

DE Einbauanleitung: EA00043D →  15

Replacement of transmitter parts

Prowirl 72, 73, Prosonic Flow 92

Table of contents

1	Overview of spare part sets	4
2	Designated use	6
3	Personnel authorized to carry out repairs	7
4	Safety instructions	8
5	Symbols used	10
6	Tools list	10
7	Preparatory steps	11
8	Replacing the cover seal, display, terminal, display carrier, I/O board, amplifier, board carrier for non-Ex /Ex-i version, Ex-and Ex-d version	12
9	Replacing the connection board for Ex-d version	13
10	Disposal	14

1 Overview of spare part sets

The Installation Instructions apply to the following spare part sets:

Order number	Original spare part set	Content
50103472	Display kit, Prowirl 72, 73, Prosonic Flow 92 F with keyboard (HART)	1 × display module, mechanical keyboard, complete
50103473	Display kit Prowirl 72, 73, Prosonic Flow 92 F without keyboard (FF/PA)	1 × display module, without keyboard, complete
50103475	Amplifier kit Prowirl 72 Ex	1 × amplifier Prowirl 72
50103476	I/O board kit Prowirl 72, 73 HART Exi	1 × Communication Module C08 2L HART EEx-i 1 × 2-pin plug-in terminal
50103477	I/O board kit Prowirl 72, 73 HART/pulse Exi	1 × Communication Module C08 2L HART/P EEx-i 1 × 2-pin plug-in terminal 1 × 2-pin plug-in terminal
50103478	I/O board kit Prowirl 72, 73 Profibus PA Exi	1 × Communication Module C08 2L HART/P EEx-i 1 × 2-pin plug-in terminal
50103528	Board carrier kit Prowirl 72, 73 field housing	1 × board carrier Prowirl
50103529	Display carrier kit, complete, Prowirl 72, 73, Prosonic Flow 92F field housing	1 × display holder, 1 × cover for electronics module 1 × cover plate, connection compartment 2 × screw M4 × 4/4.5 3 × washer M4 1 × screw M4 × 12/4.5
50106027	Amplifier kit Prowirl 73 Ex	1 × amplifier board Prowirl 73 Ex
71109321	Amplifier kit, Prowirl 73 ProfibusPA/FF Exl	1 × amplifier board V04 Prowirl 73 Ex
50106382	I/O board kit Prowirl 72, 73 HART Exd	1 × Communication Module C11 2L Hart EEx-d 1 × 2-pin plug-in terminal
50106383	I/O board kit Prowirl 72, 73 Profibus PA Exd	1 × Communication Module C09 2L PA EEx-d
50106384	I/O board kit Prowirl 72, 73 HART/pulse Exd	1 × Communication Module C11 2L Hart/pulse EEx-d 1 × 2-pin plug-in terminal 1 × 2-pin plug-in terminal
50106385	Connection board kit, Prowirl 72, 73 Profibus PA/FF Exd	1 × Communication Module C12 PA/FF I EEx-d 1 × 2-pin plug-in terminal
50107084	I/O board kit Prowirl 72, 73 Foundation Fieldbus Exi	1 × Communication Module C09 2L FF EEx-i 1 × 2-pin plug-in terminal
50107085	I/O board kit, Prowirl 72, 73 Foundation Fieldbus Exd	1 × Communication Module C09 2L FF EEx-d
50108141	Terminal kit, Prowirl 72, 73, Prosonic Flow 92F	1 × 2-pin plug-in terminal 1 × 2-pin plug-in terminal
71026978	Amplifier kit, Prosonic Flow 92F HART Ex	1 × amplifier board, V08 HART 2L Ex

Order number	Original spare part set	Content
71026979	I/O board kit Prosonic Flow 92F HART Exi	1 × Communication Module C08 2L HART EEx-i 1 × 2-pin plug-in terminal
71026980	I/O board kit Prosonic Flow 92F HART/pulse Exi	1 × Communication Module C08 2L HART/P EEx-i 1 × 2-pin plug-in terminal 1 × 2-pin plug-in terminal
71026981	I/O board kit Prosonic Flow 92F Profibus PA Exi	1 × Communication Module C09 2L PA EEx-i 1 × 2-pin plug-in terminal
71026982	I/O board kit, Prosonic Flow 92F Foundation Fieldbus Exi	1 × Communication Module C09 2L FF EEx-i 1 × 2-pin plug-in terminal
71026984	I/O board kit Prosonic Flow 92F HART Exd	1 × Communication Module C11 2L Hart EEx-d 1 × 2-pin plug-in terminal
71026985	I/O board kit Prosonic Flow 92F HART/pulse Exd	1 × Communication Module C11 2L Hart/pulse EEx-d 1 × 2-pin plug-in terminal 1 × 2-pin plug-in terminal
71026986	I/O board kit Prosonic Flow 92F Profibus PA Exd	1 × Communication Module C12 PA/FF EEx-d 1 × 2-pin plug-in terminal
71026987	I/O board kit Prosonic Flow 92F Foundation Fieldbus Exd	1 × Communication Module C12 PA/FF EEx-d 1 × 2-pin plug-in terminal
71028092	Amplifier kit Prosonic Flow 92 F Profibus PA Ex	1 × amplifier board V08 Profibus 2L Ex
71031256	Board carrier Prosonic Flow 92 F field housing	1 × board carrier
71064584	Amplifier kit Prosonic Flow 92F Foundation Fieldbus Ex	1 × amplifier board V08 Foundation Fieldbus 2L Ex
71123423	Display kit 72, 73 (HART) 15 languages Language: EN, DE, FR, ES, IT, NL, NO, SV, FI, PT, PL, CS, ZH, JA, RU	1 × display module, mechanical keyboard, complete
71123425	Display kit 72, 73 (FF, PA) 15 languages Language: EN, DE, FR, ES, IT, NL, NO, SV, FI, PT, PL, CS, ZH, JA, RU	1 × display module, without keyboard, complete
71126042	Amplifier kit 92F HART Ex, V1.01.01	1 × amplifier board V08 HART 2-wire Ex
71126043	Amplifier kit 92F FOUNDATION Fieldbus Ex, V1.01.01	1 × amplifier board V08 FOUNDATION Fieldbus 2-wire Ex
71126044	Amplifier kit 92F PROFIBUS PA Ex V1.01.01	1 × amplifier board V08 PROFIBUS 2-wire Ex




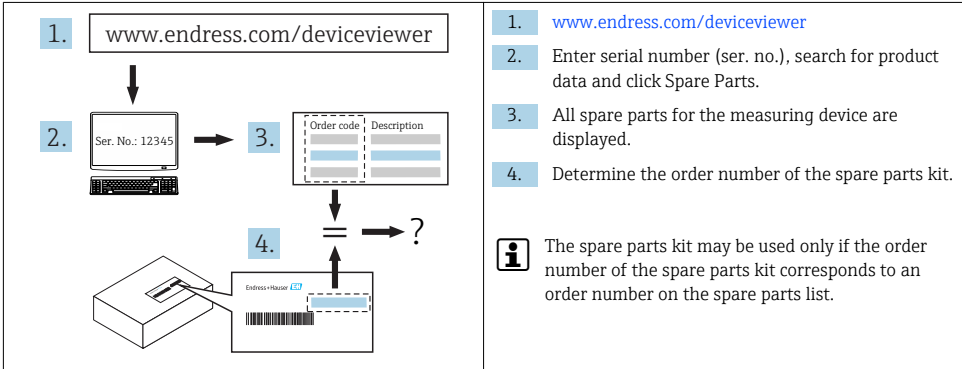
- The order number of the spare part set (on the product label on the package) can differ from the production number (on the label directly on the spare part)!
- You can find the order number of the relevant spare part set by entering the production number of the spare part in the spare part search tool.
- We recommend that you keep the Installation Instructions and packaging together at all times.

2 Designated use

The spare part sets and Installation Instructions are used to replace a faulty unit with a functioning unit of the same type. Only original parts from Endress+Hauser may be used. Only spare parts kits designed by Endress+Hauser for the measuring device can be used at any time.


Inspection is performed using the W@M Device Viewer. The procedure involved is described as follows.

 A spare parts overview is located in the interior of some measuring devices. If the spare parts kit is specified on this list, no inspection is required.



3 Personnel authorized to carry out repairs

Authorization to carry out repairs depends on the measuring device's approval type. The table below shows the authorized group of people in each case.

 Whoever carries out the repairs has full responsibility to ensure that work is carried out safely and to the required quality standard. He/she must also guarantee the safety of the device following repair.

Measuring device approval	Spare part set	Personnel authorized to perform repairs ¹⁾
Without approval With approval (e.g. IECEx)	50103472 50103473 71123423 71123425	1, 2, 3
Without approval With approval (e.g. IECEx)	50103475 50103476 50103477 50103478 50103528 50103529 50106027 71109321 50107084 71028092 71031256 71064584 71126042 71126043 71126044	2, 3
Without approval	50106382	not permitted
With approval ATEX II2G, II1G, II1/2G, II2D, FM/CSA Div. 1, TIS Zone 1	50106382	1, 2, 3
Without approval	50106383 50107085	not permitted
With approval ATEX II2G, II1G, II1/2G, II2D, FM/CSA Div. 1, TIS Zone 1	50106383 50107085	2, 3
Without approval	50106384 50106385	not permitted
With approval ATEX II2G, II1G, II1/2G, II2D, FM/CSA Div. 1, TIS Zone 1	50106384 50106385	1, 2, 3
Without approval With approval (e.g. IECEx)	50108141	1, 2, 3
Without approval With approval (e.g. IECEx)	71026978 71026979 71026980 71026981 71026982	2, 3

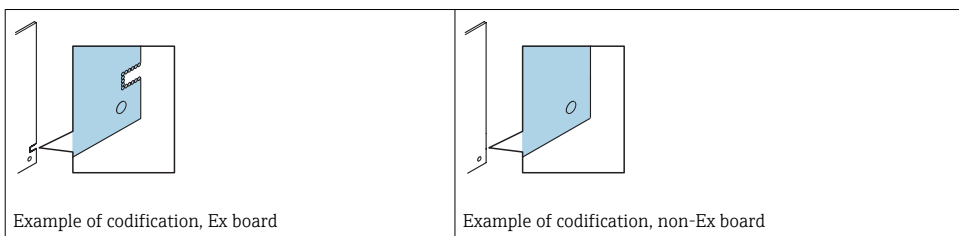
Measuring device approval	Spare part set	Personnel authorized to perform repairs ¹⁾
With approval TIIS Zone 1	71026978 71026979 71026980 71026981 71026982	not permitted
Without approval	71026984 71026985 71026986 71026987	not permitted
With approval ATEX II2G, II1G, II1/2G, II2D, FM/CSA Div. 1, TIIS Zone 1	71026984 71026985 71026986 71026987	1, 2, 3
For custody transfer	All spare parts	4

- 1) 1 = Qualified specialist on customer side, 2 = Service technician authorized by Endress+Hauser,
3 = Endress+Hauser (return measuring device to manufacturer)
4 = Check with local approval center if installation/modification must be performed under supervision.

4 Safety instructions

- Check whether the spare part matches the labeling on the measuring device as described on the cover page.
- The spare part sets and Installation Instructions are used to replace a faulty unit with a functioning unit of the same type.
Only use original parts from Endress+Hauser.
- Comply with national regulations governing mounting, electrical installation, commissioning, maintenance and repair procedures.
- The following requirements must be met with regard to specialized technical staff for the mounting, electrical installation, commissioning, maintenance and repair of the measuring devices:
 - Specialized technical staff must be trained in instrument safety.
 - They must be familiar with the individual operating conditions of the devices.
 - In the case of Ex-certified measuring devices, they must also be trained in explosion protection.
- The measuring device is energized! Risk of fatal injury from electric shock. Open the measuring device only when the device is deenergized.
- For measuring devices intended for use in hazardous locations, please observe the guidelines in the Ex documentation (XA).
- In the case of measuring devices in safety-related applications in accordance with IEC 61508 or IEC 61511: Commission in accordance with Operating Instructions after repair. Document the repair procedure.
- Before removing the device: set the process to a safe state and purge the pipe of dangerous process substances.

- Hot surfaces! Risk of injury! Before commencing work: Allow the system and measuring device to cool down to a touchable temperature.
- In the case of devices in custody transfer, the custody transfer status no longer applies once the seal has been removed.
- The Operating Instructions for the device must be followed.
- Risk of damaging the electronic components! Ensure you have a working environment protected from electrostatic discharge.
- After removal of the electronics compartment cover: risk of electrical shock due to missing touch protection!
Turn instrument off before removing internal covers.
- Modifications to the measuring device are not permitted.
- Only open housing for a brief period. Avoid the penetration of foreign bodies, moisture or contaminants.
- Printed circuit boards for devices in categories II1G, II1D, II 2G, II 2D, Zone 1 and Class I, Div. 1, Gp. A, B, C, D have a recess / printed circuit board codification. Unauthorized breaking of this codification is not permitted as explosion protection will then no longer apply.



- Caution! When replacing the amplifier board, I/O board or submodules, ensure compatibility with the installed software. The procedure for reading out the software version number is described in the Operating Instructions (device functions). If the printed circuit board's software is not compatible, an update must be performed using an operating software tool (e.g. Field Care). Notify the plant operator in the event of functional changes.
- Replace defect seals only with original seals from Endress+Hauser.
- If threads are damaged or defective, the measuring device must be repaired.
- Threads (e.g. of the electronics compartment cover and connection compartment cover) must be lubricated if an abrasion-proof dry lubricant is not available. Use acid-free, non-hardening lubricant.
- If spacing is reduced or the dielectric strength of the measuring device cannot be guaranteed during repair work, perform a test on completion of the work (e.g. high-voltage test in accordance with the manufacturer's instructions).
- Service plug:
 - Do not connect in explosive atmospheres.
 - Only connect to Endress+Hauser service devices.
- Observe the instructions for transporting and returning the device outlined in the Operating Instructions.



If you have any questions, please contact your [Endress+Hauser service organization](#).

5 Symbols used

5.1 Safety symbols

DANGER

This symbol alerts you to a dangerous situation. Failure to avoid this situation will result in serious or fatal injury.

WARNING

This symbol alerts you to a dangerous situation. Failure to avoid this situation can result in serious or fatal injury.




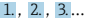
CAUTION

This symbol alerts you to a dangerous situation. Failure to avoid this situation can result in minor or medium injury.

NOTICE

This symbol contains information on procedures and other facts which do not result in personal injury.

5.2 Symbols for certain types of information

Symbol	Meaning
	Permitted Procedures, processes or actions that are permitted.
	Forbidden Procedures, processes or actions that are forbidden.
	Tip Indicates additional information.
	Series of steps


6 Tools list

			Acid-free, non-hardening lubricant
3 mm	T20, T20	PH2	

7 Preparatory steps

7.1 Backing up device data

7.2 Prosonic Flow 92

 Save important transmitter parameters to the T-DAT using the "T-DAT SAVE/LOAD" parameter. (Description of device functions or Operating Instructions, "Commissioning" section → Data backup with "T-DAT SAVE/LOAD"). Measuring pipe data are not transferred automatically. Manual transfer via the following functions: SUPERVISION → SYSTEM RESET → Option: MEASURING PIPE DATA

7.3 Prowirl 72, 73

When replacing the amplifier, enter these parameters again:

Parameter	Prowirl 72	Prowirl 73	Specifications in
Quick Setup	x	x	as per Operating Instructions
K-factor	x	x	Nameplate
MB type	x	x	Nameplate
Serial number	x	x	Nameplate
Activation code, natural gas	/	x	Activation code in electronics compartment cover
Advanced diagnostics	/	x	Activation code in electronics compartment cover

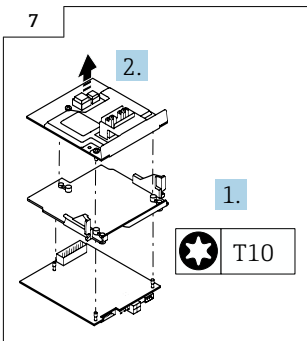
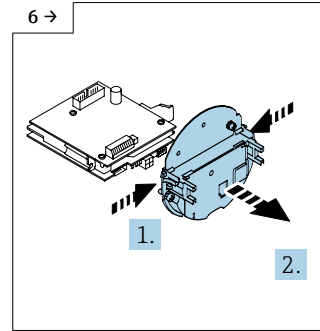
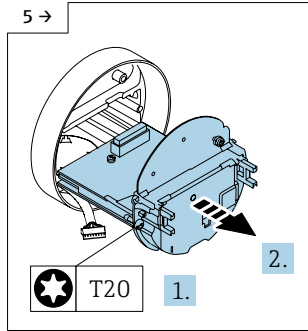
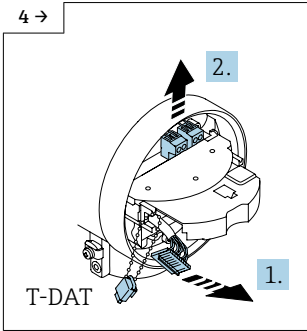
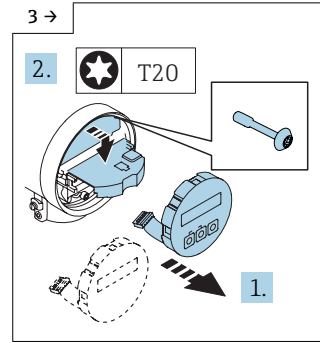
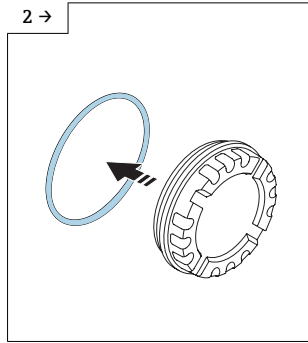
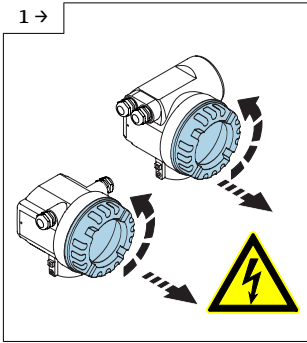
8 Replacing the cover seal, display, terminal, display carrier, I/O board, amplifier, board carrier for non-Ex /Ex-i version, Ex-and Ex-d version

⚠ WARNING

The measuring device is energized!

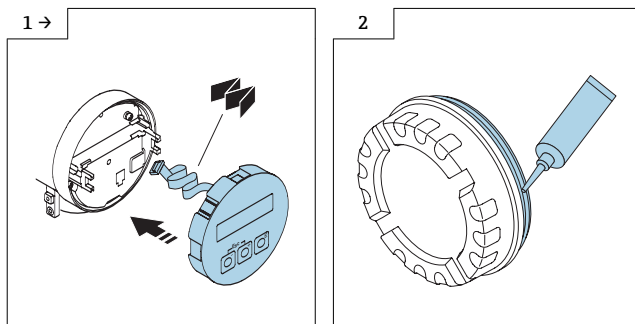
Risk of fatal injury from electric shock.

- Open the measuring device only when the device is de-energized.



8.1 Assembling the transmitter housing, non-Ex /Ex-i version, Ex and Ex-d version

Reassembly is carried out in reverse order. Note the following:



► Acid-free, non-hardening lubricant

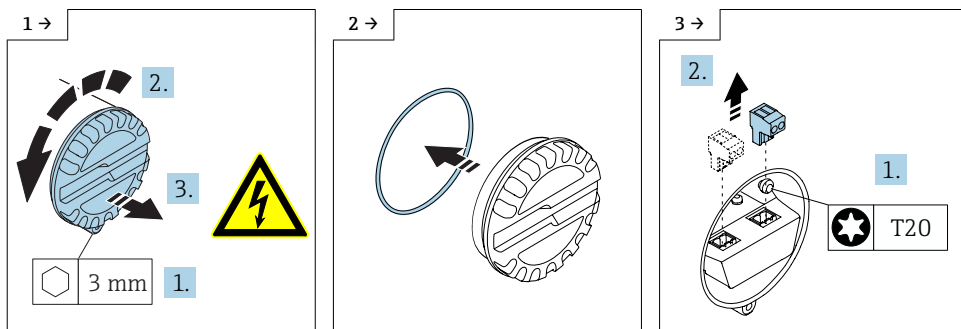
9 Replacing the connection board for Ex-d version

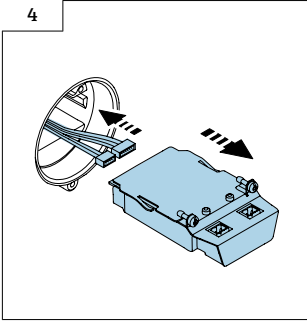
⚠ WARNING

The measuring device is energized!

Risk of fatal injury from electric shock.

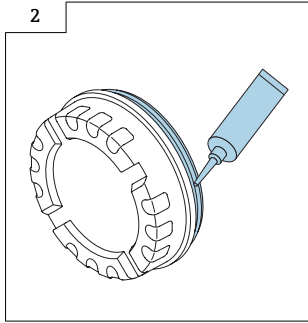
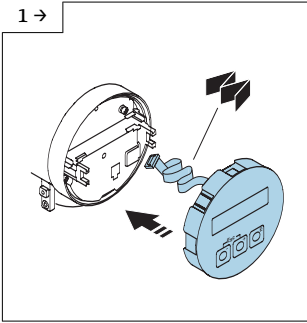
► Open the measuring device only when the device is de-energized.





9.1 Assembling the transmitter housing, Ex-d version

Reassembly is carried out in reverse order. Note the following:



► Acid-free, non-hardening lubricant

10 Disposal



If required by the Directive 2012/19/EU on waste electrical and electronic equipment (WEEE), the product is marked with the depicted symbol in order to minimize the disposal of WEEE as unsorted municipal waste. Do not dispose of products bearing this marking as unsorted municipal waste. Instead, return them to Endress+Hauser for disposal under the applicable conditions.

Austausch Messumformerteile

Prowirl 72, 73, Prosonic Flow 92

Inhaltsverzeichnis

1	Übersicht Ersatzteilsets	16
2	Bestimmungsgemäße Verwendung	18
3	Reparaturberechtigte Personen	19
4	Sicherheitshinweise	20
5	Verwendete Symbole	22
6	Werkzeugliste	22
7	Vorbereitende Arbeiten	23
8	Austausch Dichtung Deckel, Anzeige, Anschlussklemme, Anzeigeträger, I/O-Board, Messverstärker, Printrträger für Nicht Ex /Ex-i Ausführung, Ex- und Ex-d Ausführung	24
9	Austausch Anschlussprint für Ex-d Ausführung	25
10	Entsorgung	26

1 Übersicht Ersatzteilsets

Die Einbauanleitung ist für folgende Ersatzteilsets gültig:

Bestellnummer	Original Ersatzteilset	Inhalt
50103472	Set Anzeige Prowirl 72, 73, Prosonic Flow 92 F mit Tastatur (HART)	1 × Anzeigemodul mechanisch Tastatur komplett
50103473	Set Anzeige Prowirl 72, 73, Prosonic Flow 92 F ohne Tastatur (FF/PA)	1 × Anzeigemodul ohne Tastatur komplett
50103475	Set Messverstärker Prowirl 72 Ex	1 × Messverstärker Prowirl 72
50103476	Set I/O-Board Prowirl 72, 73 HART Exi	1 × Comodul C08 2L HART EEx-i 1 × Klemme steckbar 2 Pol
50103477	Set I/O-Board Prowirl 72, 73 HART/Impuls Exi	1 × Comodul C08 2L HART/P EEx-i 1 × Klemme steckbar 2 Pol, 1 × Klemme steckbar 2 Pol
50103478	Set I/O-Board Prowirl 72, 73 Profibus PA Exi	1 × Comodul C08 2L HART/P EEx-i 1 × Klemme steckbar 2 Pol
50103528	Set Printräger Prowirl 72, 73 Feldgehäuse	1 × Printbefestigungsträger Prowirl
50103529	Set Displayträger komplett Prowirl 72, 73, Prosonic Flow 92F Feldgehäuse	1 × Displayhalter, 1 × Abdeckung Elektronik 1 × Abdeckblech Anschlussraum 2 × Schraube M4 × 4/4,5 3 × Scheibe M4 1 × Schraube M4 × 12/4,5
50106027	Set Messverstärker Prowirl 73 Ex	1 × Messverstärkerpr Prowirl 73 Ex
71109321	Set Messverstärker Prowirl 73 ProfibusPA/FF Exl	1 × Verstärkerprint V04 Prowirl 73 Ex
50106382	Set I/O-Board Prowirl 72, 73 HART Exd	1 × Comodul C11 2L Hart EEx-d 1 × Klemme steckbar 2 Pol
50106383	Set I/O-Board Prowirl 72, 73 Profibus PA Exd	1 × Comodul C09 2L PA EEx-d
50106384	Set I/O-Board Prowirl 72, 73 HART/Impuls Exd	1 × Comodul C11 2L Hart/Puls EEx-d 1 × Klemme steckbar 2 Pol 1 × Klemme steckbar 2 Pol
50106385	Set Anschlussprint Prowirl 72, 73 Profibus PA/FF Exd	1 × Comodul C12 PA/FF I EEx-d 1 × Klemme steckbar 2 Pol
50107084	Set I/O-Board Prowirl 72, 73 Foundation Fieldbus Exi	1 × Comodul C09 2L FF EEx-i 1 × Klemme steckbar 2 Pol
50107085	Set I/O-Board Prowirl 72, 73 Foundation Fieldbus Exd	1 × Comodul C09 2L FF EEx-d
50108141	Set Anschlussklemme Prowirl 72, 73, Prosonic Flow 92F	1 × Klemme steckbar 2 Pol 1 × Klemme steckbar 2 Pol
71026978	Set Messverstärker Prosonic Flow 92F HART Ex	1 × Verstärkerprint V08 HART 2L Ex

Bestellnummer	Original Ersatzteilset	Inhalt
71026979	Set I/O-Board Prosonic Flow 92F HART Exi	1 × Comodul C08 2L HART EEx-i 1 × Klemme steckbar 2 Pol
71026980	Set I/O-Board Prosonic Flow 92F HART/ Impuls Exi	1 × Comodul C08 2L HART/P EEx-i 1 × Klemme steckbar 2 Pol 1 × Klemme steckbar 2 Pol
71026981	Set I/O-Board Prosonic Flow 92F Profibus PA Exi	1 × Comodul C09 2L PA EEx-i 1 × Klemme steckbar 2 Pol
71026982	Set I/O-Board Prosonic Flow 92F Foundation Fieldbus Exi	1 × Comodul C09 2L FF EEx-i 1 × Klemme steckbar 2 Pol
71026984	Set I/O-Board Prosonic Flow 92F HART Exd	1 × Comodul C11 2L Hart EEx-d 1 × Klemme steckbar 2 Pol
71026985	Set I/O-Board Prosonic Flow 92F HART/ Impuls Exd	1 × Comodul C11 2L Hart/Puls EEx-d 1 × Klemme steckbar 2 Pol 1 × Klemme steckbar 2 Pol
71026986	Set I/O-Board Prosonic Flow 92F Profibus PA Exd	1 × Comodul C12 PA/FF EEx-d 1 × Klemme steckbar 2 Pol
71026987	Set I/O-Board Prosonic Flow 92F Foundation Fieldbus Exd	1 × Comodul C12 PA/FF EEx-d 1 × Klemme steckbar 2 Pol
71028092	Set Messverstärker Prosonic Flow 92 F Profibus PA Ex	1 × Verstärkerprint V08 Profibus 2L Ex
71031256	Set Printträger Prosonic Flow 92 F Feldgehäuse	1 × Printbefestigungsträger
71064584	Set Messverstärker Prosonic Flow 92F Foundation Fieldbus Ex	1 × Verstärkerprint V08 Foundation Fieldbus 2L Ex
71123423	Set Anzeige 72, 73 (HART) 15 Sprachen Sprache: EN, DE, FR, ES, IT, NL, NO, SV, FI, PT, PL, CS, ZH, JA, RU	1 × Anzeigemodul mechanische Tastatur komplett
71123425	Set Anzeige 72, 73 (FF, PA) 15 Sprachen Sprache: EN, DE, FR, ES, IT, NL, NO, SV, FI, PT, PL, CS, ZH, JA, RU	1 × Anzeigemodul ohne Tastatur komplett
71126042	Set Verstärker 92F HART Ex, V1.01.01	1 × Verstärkerprint V08 HART 2-Leiter Ex
71126043	Set Verstärker 92F FOUNDATION Fieldbus Ex, V1.01.01	1 × Verstärkerprint V08 FOUNDATION Fieldbus 2-Leiter Ex
71126044	Set Verstärker 92F PROFIBUS PA Ex V1.01.01	1 × Verstärkerprint V08 PROFIBUS 2-Leiter Ex




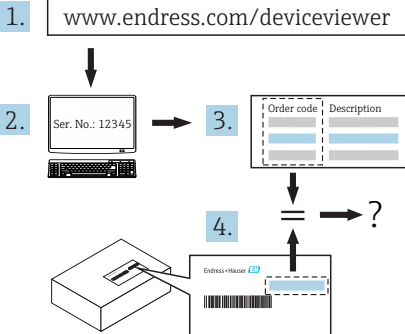
- Die Bestellnummer des Ersatzteilsets (auf dem Produktaufkleber der Verpackung) kann sich von der Produktionsnummer (auf dem Aufkleber direkt auf dem Ersatzteil) unterscheiden!
- Durch Eingabe der Produktionsnummer des Ersatzteiles im Ersatzteilfindetool kann die Bestellnummer des entsprechenden Ersatzteilsets ermittelt werden.
- Wir empfehlen Einbauanleitung und Verpackung immer zusammen aufzubewahren.

2 Bestimmungsgemäße Verwendung


Ersatzteilset und Einbauanleitung dienen dazu, eine defekte Einheit gegen eine funktionierende Einheit des gleichen Typs zu ersetzen. Es dürfen nur Originalteile von Endress+Hauser verwendet werden. Grundsätzlich dürfen nur Ersatzteilsets verwendet werden, die von Endress+Hauser für das Messgerät vorgesehen sind.

Die Überprüfung ist via W@M Device Viewer durchzuführen, die Vorgehensweise dazu ist nachfolgend beschrieben.

 Bei einigen Messgeräten befindet sich im Inneren des Gerätes eine Ersatzteilübersicht. Ist das Ersatzteilset dort aufgelistet, entfällt die Überprüfung.




1. www.endress.com/deviceviewer
2. Seriennummer (Ser. No.) eingeben, Produktdaten suchen und auf Ersatzteile klicken.
3. Anzeige aller Ersatzteile zum Messgerät.
4. Die Bestellnummer des Ersatzteilsets ermitteln.

 Nur wenn die Bestellnummer des Ersatzteilsets mit einer Bestellnummer in der Ersatzteilliste übereinstimmt, darf das Ersatzteilset verwendet werden.

3 Reparaturberechtigte Personen

Die Berechtigung zur Durchführung einer Reparatur ist von der Zulassung des Messgeräts abhängig. Die Tabelle zeigt den jeweils berechtigten Personenkreis.

 Die Person, die eine Reparatur vornimmt, übernimmt die Verantwortung für die Sicherheit während der Arbeiten, die Qualität der Ausführung und die Sicherheit des Geräts nach der Reparatur.

Zulassung des Messgeräts	Ersatzteilset	Reparaturberechtigter Personenkreis ¹⁾
ohne Zulassung mit Zulassung (z.B. IECEx)	50103472 50103473 71123423 71123425	1, 2, 3
ohne Zulassung mit Zulassung (z.B. IECEx)	50103475 50103476 50103477 50103478 50103528 50103529 50106027 71109321 50107084 71028092 71031256 71064584 71126042 71126043 71126044	2, 3
ohne Zulassung	50106382	nicht erlaubt
mit Zulassung ATEX II2G, II1G, II1/2G, II2D, FM/CSA Div. 1, TIS Zone 1	50106382	1, 2, 3
ohne Zulassung	50106383 50107085	nicht erlaubt
mit Zulassung ATEX II2G, II1G, II1/2G, II2D, FM/CSA Div. 1, TIS Zone 1	50106383 50107085	2, 3
ohne Zulassung	50106384 50106385	nicht erlaubt
mit Zulassung ATEX II2G, II1G, II1/2G, II2D, FM/CSA Div. 1, TIS Zone 1	50106384 50106385	1, 2, 3
ohne Zulassung mit Zulassung (z.B. IECEx)	50108141	1, 2, 3
ohne Zulassung mit Zulassung (z.B. IECEx)	71026978 71026979 71026980 71026981 71026982	2, 3

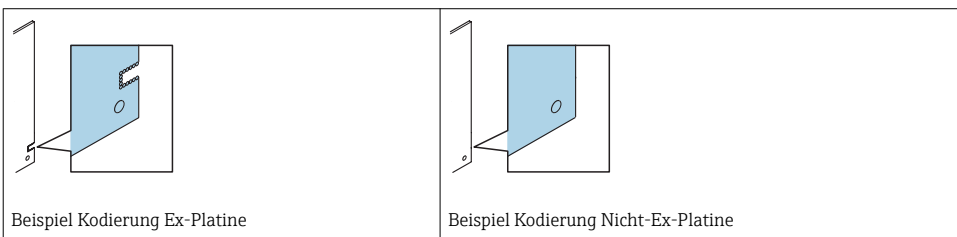
Zulassung des Messgeräts	Ersatzteilset	Reparaturberechtigter Personenkreis ¹⁾
mit Zulassung TIIS Zone 1	71026978 71026979 71026980 71026981 71026982	nicht erlaubt
ohne Zulassung	71026984 71026985 71026986 71026987	nicht erlaubt
mit Zulassung ATEX II2G, II1G, II1/2G, II2D, FM/CSA Div. 1, TIIS Zone 1	71026984 71026985 71026986 71026987	1, 2, 3
Bei eichfähigem Verkehr	alle Ersatzteile	4

- 1) 1 = Ausgebildete Fachkraft des Kunden, 2 = Von Endress+Hauser autorisierter Servicetechniker,
3 = Endress+Hauser (Messgerät an Hersteller zurücksenden)
4 = Mit der lokalen Zulassungsstelle prüfen, ob ein Ein-/Umbau unter Aufsicht erfolgen muss.

4 Sicherheitshinweise

- Prüfen, ob das vorliegende Ersatzteil zur Kennzeichnung auf dem Messgerät passt, wie auf der Titelseite beschrieben.
- Ersatzteilset und Einbauanleitung dienen dazu, eine defekte Einheit gegen eine funktionierende Einheit des gleichen Typs zu ersetzen.
Nur Originalteile von Endress+Hauser verwenden.
- Nationale Vorschriften bezüglich der Montage, elektrischen Installation, Inbetriebnahme, Wartung und Reparatur einhalten.
- Folgende Anforderungen an das Fachpersonal für Montage, elektrische Installation, Inbetriebnahme, Wartung und Reparatur der Messgeräte müssen erfüllt sein:
 - In Gerätesicherheit ausgebildet.
 - Mit den jeweiligen Einsatzbedingungen der Geräte vertraut.
 - Bei Ex-zertifizierten Messgeräten: zusätzlich im Explosionsschutz ausgebildet.
- Messgerät unter Spannung! Lebensgefahr durch Stromschlag. Messgerät nur im spannungslosen Zustand öffnen.
- Bei Messgeräten für den explosionsgefährdeten Bereich: Hinweise in der Ex-Dokumentation (XA) beachten.
- Bei Messgeräten in sicherheitstechnischen Applikationen gemäß IEC 61508 bzw. IEC 61511: Nach Reparatur Neuinbetriebnahme gemäß Betriebsanleitung durchführen. Reparatur dokumentieren.
- Vor einem Geräteausbau: Prozess in sicheren Zustand bringen und Leitung von gefährlichen Prozessstoffen befreien.
- Verbrennungsgefahr durch heiße Oberflächen! Vor Arbeitsbeginn: Anlage und Messgerät auf berührungssichere Temperatur abkühlen.

- Bei Messgeräten im abrechnungspflichtigen Verkehr: Nach Entfernen der Plombe ist der geeichte Zustand aufgehoben.
- Die Betriebsanleitung zum Messgerät ist zu beachten.
- Beschädigungsgefahr elektronischer Bauteile! Eine ESD-geschützte Arbeitsumgebung herstellen.
- Nach Entfernen der Elektronikabdeckung: Stromschlaggefahr durch aufgehobenen Berührungsschutz!
Messgerät ausschalten, bevor interne Abdeckungen entfernt werden.
- Änderungen am Messgerät sind nicht zulässig.
- Gehäuse nur kurzzeitig öffnen. Eindringen von Fremdkörpern, Feuchtigkeit oder Verunreinigung vermeiden.
- Leiterplatten für Geräte der Kategorien II1G, II1D, II 2G, II 2D, Zone 1 und Class I, Div. 1, Gp. A, B, C, D besitzen eine Aussparung / Leiterplattenkodierung. Das eigenmächtige Herausbrechen der Kodierung ist nicht zulässig, weil dadurch der Explosionsschutz aufgehoben wird.



- Achtung! Beim Auswechseln von Messverstärker-, I/O-Platine oder Submodulen: Kompatibilität mit der vorhandenen Software sicherstellen. Der Auslesevorgang der Software Revisionsnummer ist in der Betriebsanleitung (Gerätefunktionen) beschrieben. Wenn die Software der Platine nicht kompatibel ist, muss mit Hilfe einer Bediensoftware (z. B. Field Care) ein Update durchgeführt werden. Bei funktionalen Änderungen Anlagenbetreiber informieren.
- Defekte Dichtungen nur durch Original-Dichtungen von Endress+Hauser ersetzen.
- Defekte Gewinde erfordern eine Instandsetzung des Messgeräts.
- Gewinde (z.B. von Elektronikraum- und Anschlussraumdeckel) müssen geschmiert sein, sofern keine abriebfeste Trockenschmierung vorhanden ist. Säurefreies, nicht härtendes Fett verwenden.
- Wenn bei den Reparaturarbeiten Abstände reduziert oder die Spannungsfestigkeit des Messgeräts nicht sichergestellt werden kann: Prüfung nach Abschluss der Arbeiten durchführen (z.B. Hochspannungstest gemäß Herstellerangaben).
- Servicestecker:
 - Nicht in explosionsfähiger Atmosphäre anschließen.
 - Nur an Servicegeräte von Endress+Hauser anschließen.
- Die in der Betriebsanleitung aufgeführten Hinweise zum Transport und zur Rücksendung beachten.



Bei Fragen kontaktieren Sie bitte Ihre zuständige [Endress+Hauser Serviceorganisation](#).

5 Verwendete Symbole

5.1 Warnhinweissymbole

GEFAHR

Dieser Hinweis macht auf eine gefährliche Situation aufmerksam, die, wenn sie nicht vermieden wird, zu Tod oder schwerer Körperverletzung führen wird.

WARNUNG

Dieser Hinweis macht auf eine gefährliche Situation aufmerksam, die, wenn sie nicht vermieden wird, zu Tod oder schwerer Körperverletzung führen kann.




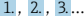
VORSICHT

Dieser Hinweis macht auf eine gefährliche Situation aufmerksam, die, wenn sie nicht vermieden wird, zu leichter oder mittelschwerer Körperverletzung führen kann.

HINWEIS

Dieser Hinweis enthält Informationen zu Vorgehensweisen und weiterführenden Sachverhalten, die keine Körperverletzung nach sich ziehen.

5.2 Symbole für Informationstypen

Symbol	Bedeutung
	Erlaubt Abläufe, Prozesse oder Handlungen, die erlaubt sind.
	Verboten Abläufe, Prozesse oder Handlungen, die verboten sind.
	Tipp Kennzeichnet zusätzliche Informationen.
	Handlungsschritte

6 Werkzeugliste

			säurefreies, nicht härtendes Fett
3 mm	T20, T20	PH2	

7 Vorbereitende Arbeiten

7.1 Gerätedaten sichern

7.2 Prosonic Flow 92



Wichtige Parameter des Messumformers auf den T-DAT sichern mit Hilfe des Parameters "T-DAT VERWALTEN". (Beschreibung Gerätefunktionen oder Betriebsanleitung Kapitel "Inbetriebnahme" → Datensicherung mit "T-DAT VERWALTEN"). Messrohrdaten werden nicht automatisch übernommen. Manuelle Übernahme über folgende Funktionen : ÜBERWACHUNG → SYSTEM RESET → Auswahl : MESSROHRDATEN

7.3 Prowirl 72, 73

Beim Messverstärkeraustausch diese Parameter neu eingeben:

Parameter	Prowirl 72	Prowirl 73	Angaben in
Quick setup	x	x	gemäss BA
K-factor	x	x	Typenschild
MB-Ttyp	x	x	Typenschild
Seriennummr	x	x	Typenschild
Freischalte-Code Erdgas	/	x	Freischaltcode in Elektronikraumdeckel
Erweiterte Diagnostik	/	x	Freischaltcode in Elektronikraumdeckel

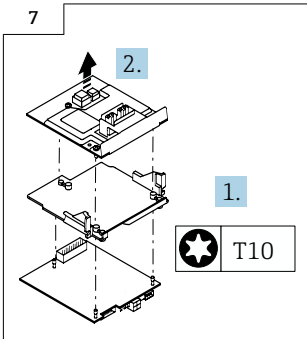
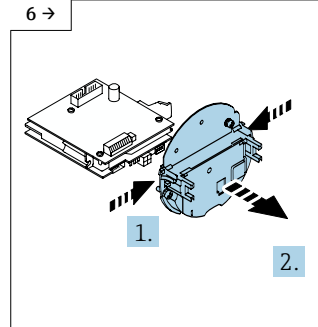
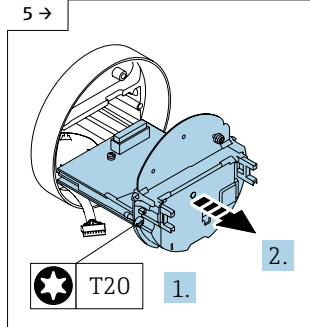
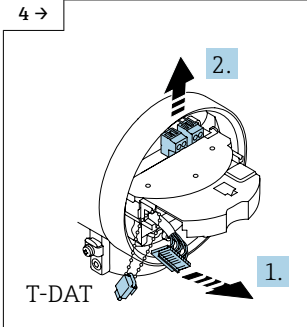
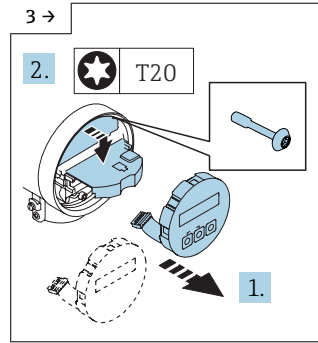
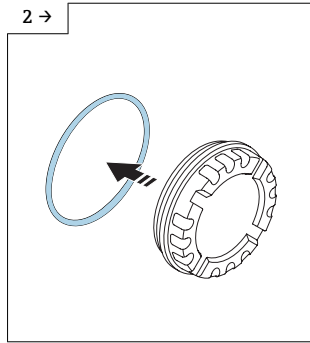
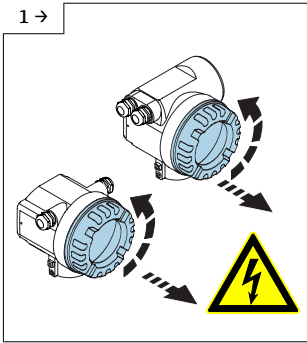
8 Austausch Dichtung Deckel, Anzeige, Anschlussklemme, Anzeigeträger, I/O-Board, Messverstärker, Printräger für Nicht Ex /Ex-i Ausführung, Ex-und Ex-d Ausführung

⚠️ WARNUNG

Messgerät unter Spannung!

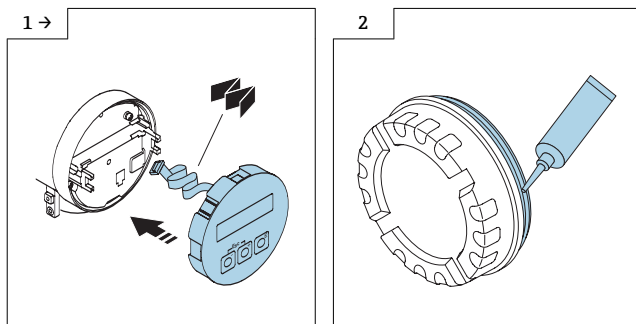
Lebensgefahr durch Stromschlag.

- Messgerät nur im spannungslosen Zustand öffnen.



8.1 Zusammenbau Messumformergehäuse nicht Ex /Ex-i Ausführung, Ex- und Ex-d Ausführung

Der Zusammenbau erfolgt in umgekehrter Reihenfolge. Folgendes ist zu beachten:



► säurefreies, nicht härtendes Fett

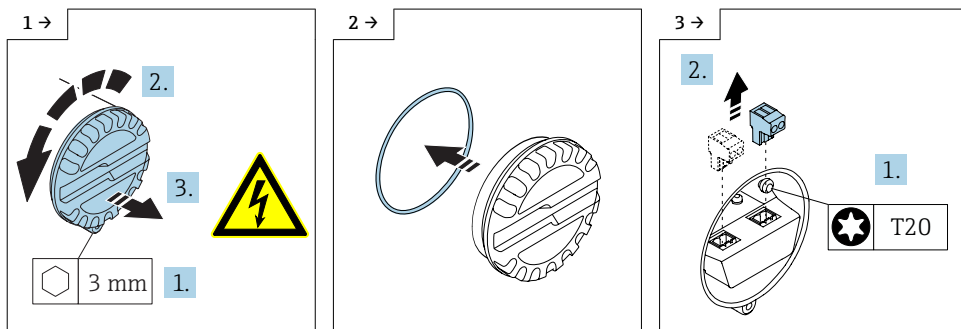
9 Austausch Anschlussprint für Ex-d Ausführung

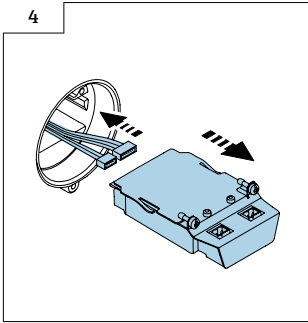
⚠️ WARNUNG

Messgerät unter Spannung!

Lebensgefahr durch Stromschlag.

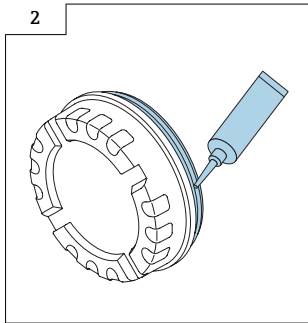
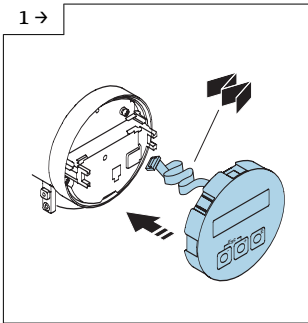
► Messgerät nur im spannungslosen Zustand öffnen.





9.1 Zusammenbau Messumformergehäuse Ex-d Ausführung

Der Zusammenbau erfolgt in umgekehrter Reihenfolge. Folgendes ist zu beachten:



► säurefreies, nicht härtendes Fett

10 Entsorgung



Gemäß der Richtlinie 2012/19/EG über Elektro- und Elektronik-Altgeräte (WEEE) ist das Produkt mit dem abgebildeten Symbol gekennzeichnet, um die Entsorgung von WEEE als unsortierten Hausmüll zu minimieren. Gekennzeichnete Produkte nicht als unsortierter Hausmüll entsorgen, sondern zu den gültigen Bedingungen an Endress+Hauser zurückgeben.



71466980

www.addresses.endress.com
