

Safety Instructions

RID14

PROFIBUS® PA, FOUNDATION Fieldbus™

ATEX: II 3G Ex ic IIC T6...T4 Gc

Safety instructions for electrical apparatus in
explosion-hazardous areas



RID14

PROFIBUS® PA, FOUNDATION Fieldbus™

Table of contents

About this document	4
Associated documentation	4
Supplementary documentation	4
Manufacturer´s certificates	5
Manufacturer address	5
Safety instructions:	6
Safety instructions: Installation	6
Temperature tables	7
Electrical connection data	7

About this document



This document has been translated into several languages. Legally determined is solely the English source text.

The document translated into EU languages is available:

- In the download area of the Endress+Hauser website:
www.endress.com -> Downloads -> Manuals and Datasheets -> Type: Ex Safety Instruction (XA) -> Text Search: ...
- In the Device Viewer: www.endress.com -> Product tools -> Access device specific information -> Check device features



If not yet available, the document can be ordered.

Associated documentation

This document is an integral part of the following Operating Instructions:

- Operating instructions: BA00282R and BA01267K
- Brief operating instructions: KA00281R and KA01156K
- Technical information: TI00145R

Supplementary documentation

Explosion-protection brochure: CP00021Z/11

The Explosion-protection brochure is available:

- In the download area of the Endress+Hauser website:
www.endress.com -> Downloads -> Brochures and Catalogs -> Text Search: CP00021Z
- On the CD for devices with CD-based documentation

**Manufacturer's
certificates****EU Declaration of Conformity**

Certificate number: EC_00170

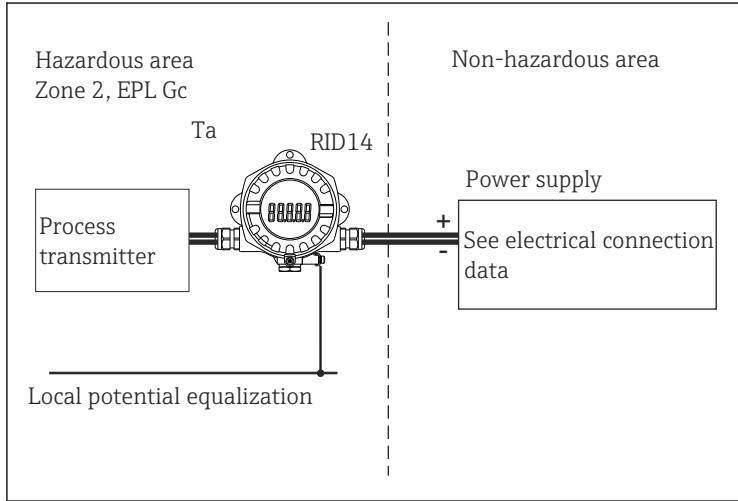
Affixing the certificate number certifies conformity with the following standards (depending on the device version)

- EN IEC 60079-0 : 2018
- EN 60079-11 : 2012


**Manufacturer
address**

Endress+Hauser Wetzer GmbH + Co. KG
Obere Wank 1
87484 Nesselwang, Germany

Safety instructions:



A0048971

 1 Installation of the field indicator

Safety instructions: Installation

- Comply with the installation and safety instructions in the Operating Instructions.
- Install the device according to the manufacturer's instructions and any other valid standards and regulations (e.g. EN/IEC 60079-14).
- The device is only suitable for connection to certified, intrinsically safe equipment with explosion protection of at least Ex ic.
- If the conditions $U_i > U_o$, ($I_i > I_o$), $C_a > C_i + C_{cable}$ and $L_a > L_i + L_{cable}$ are met, the energy-limited installation concept (Ex ic) allows energy-limited devices or associated energy-limited devices to be connected according to the entity concept.
- Observe the pertinent guidelines when interconnecting intrinsically safe circuits (e.g. EN/IEC 60079-14, Proof of Intrinsic Safety).
- The housing of field indicator must be connected to the potential matching line.
- The circuits of indicator are isolated from its enclosure in conformance with EN/IEC 60079-11 chapter 6.3.13.
- The field indicator must be installed and maintained so, that even in the event of rare incidents, an ignition source due to impact or friction between the enclosure and iron/steel is excluded.

Temperature tables

Type	Temperature class	Ambient temperature
RID14	T6	$-40\text{ °C} \leq T_a \leq +55\text{ °C}$
	T5	$-40\text{ °C} \leq T_a \leq +70\text{ °C}$
	T4	$-40\text{ °C} \leq T_a \leq +85\text{ °C}$

Electrical connection data

Type	Electrical Data		
RID14 PROFIBUS® PA RID14 FOUNDATION Fieldbus™	Supply	$U_i \leq 17.5\text{ V}_{DC}$ or	$U_i \leq 32\text{ V}_{DC}$
	(terminals + and -)	$I_i \leq$ not applicable (current controlled circuit)	$I_i \leq 11\text{ mA}$ (nominal)
		$P_i \leq$ not applicable	$P_i \leq$ not applicable
		$C_i \leq 5\text{ nF}$ $L_i = 10\text{ }\mu\text{H}$	
Applicable for connection to a Fieldbus system according to FISCO-model			

Category	Type of protection	Type
II 3G	Ex ic IIC T6...T4 Gc	RID14



71568567

www.addresses.endress.com
