

Installation Instructions

Alarm relay kit

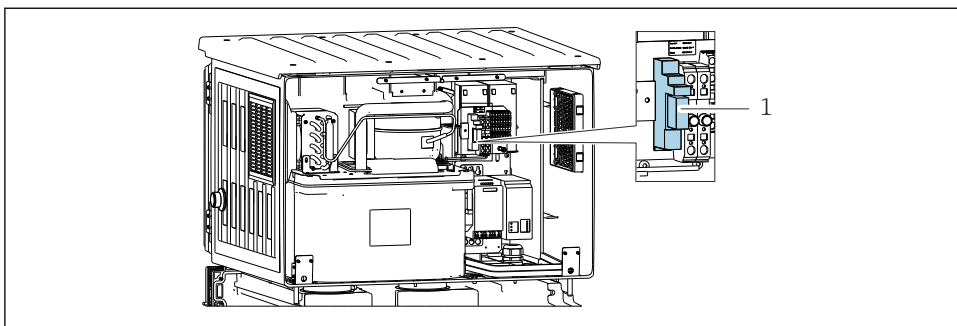
Replacement for sampler Liquistation CSF28



Table of contents

1	Overview of CSF28	3
2	Intended use	3
3	Authorized installation personnel	3
4	Safety instructions	4
5	Scope of delivery	5
6	Additional documentation	5
7	Tools list	6
8	Replacing the spare part	6
9	Disposal	12

1 Overview of CSF28



A0049012

1 *Liquistation CSF28 (rear, without rear panel)*

1 *Alarm relay*

2 Intended use

- The parts of the kit must only be used as retrofit parts or replacement parts for automatic samplers CSF28. Any other use is not permitted!
- Only use original parts from Endress+Hauser.
- In the W@M Device Viewer, check if the spare part is suitable for the existing device.

3 Authorized installation personnel

- Installation, commissioning, operation and maintenance of the measuring system may be carried out only by specially trained technical personnel.
- The technical personnel must be authorized by the plant operator to carry out the specified activities.
- The electrical connection may be performed only by an electrical technician.
- The technical personnel must have read and understood these Installation Instructions and must follow the instructions they contain.
- Faults at the measuring point may only be rectified by authorized and specially trained personnel.

i Repairs not described in the Operating Instructions provided must only be carried out directly at the manufacturer's site or by the service organization.

4 Safety instructions

WARNING

Danger! Electric voltage!

- ▶ The replacement of assemblies connected to the power supply may only be performed by specially trained electrotechnical staff.
- ▶ All work must be carried out according to applicable safety standards.
- ▶ Built-in protective measures must be restored.

WARNING

Danger from connected mains voltage!

- ▶ Stop active sampling programs.
- ▶ Disconnect the sampler from the mains voltage.
- ▶ Make sure the sampler is properly disconnected from the mains voltage when performing replacement work.

CAUTION

Contact with the medium poses a health hazard!

- ▶ Wear protective gloves, protective goggles and protective clothing, particularly when working with reagents, chemicals or process solutions.
- ▶ In case of contact with eyes or skin, rinse the affected area with plenty of water and then seek medical advice. Show the relevant safety data sheet to the physician.

CAUTION

Risk of injury if medium escapes.

- ▶ Stop active sampling programs.



Impact on the process

Before decommissioning an active device, the potential impact on the overall process must be taken into account! This particularly applies if using the switching contacts, the analog signal outputs or the communication interface of the associated measuring device to control process variables. Discuss service work with the operator!

5 Scope of delivery

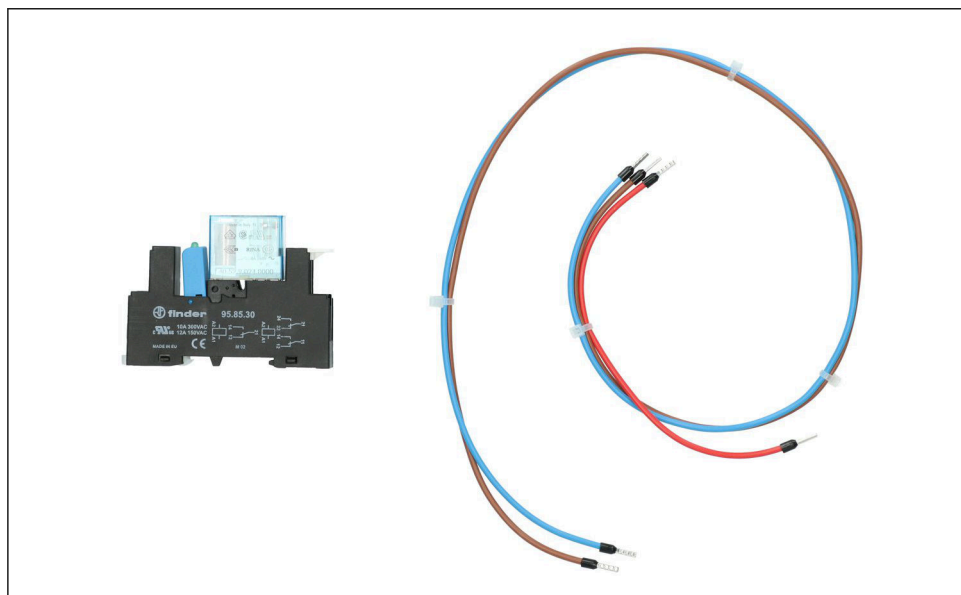
5.1 71560715 kit CSF28 alarm relay

The kit contains the following parts →  2,  5:

1 x Alarm relay

1 x Installation Instructions

1 x Cable set



A0048976

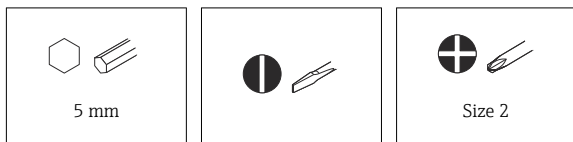
 2 71560715 kit CSF28 alarm relay

6 Additional documentation

Detailed information on the device can be found in the Operating Instructions for the sampler and in the other documentation, available via:

- www.endress.com/device-viewer
- Smartphone/tablet: Endress+Hauser Operations app

7 Tools list

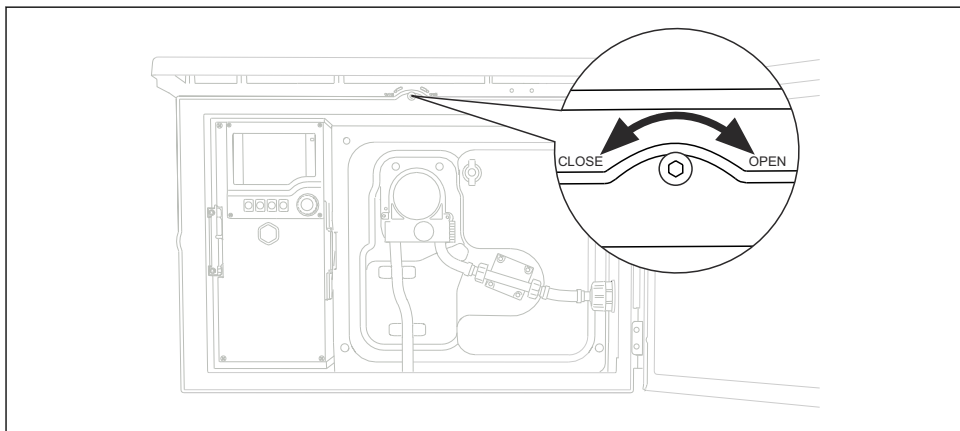


8 Replacing the spare part

- Pay attention to the installation instructions provided in the Operating Instructions of the sampler used.

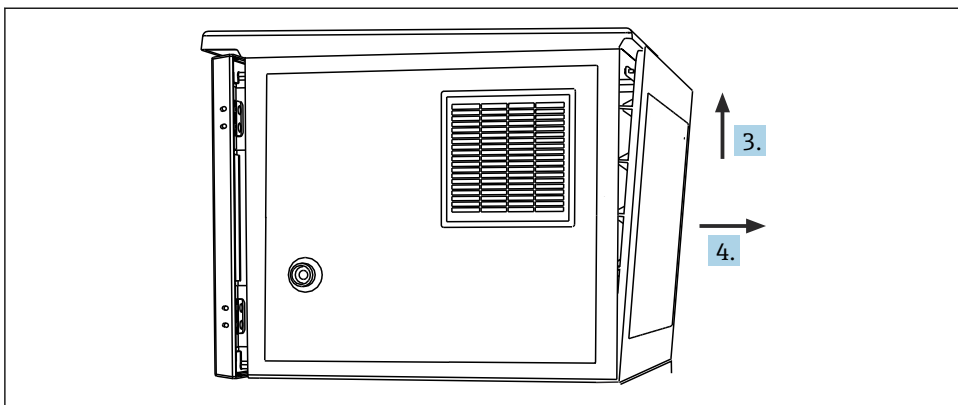
Removing the rear panel of the dosing compartment and the power supply cover

1. Stop active sampling programs.
2. Disconnect the sampler from the mains voltage and make sure it cannot be switched back on.
3. Open the dosing compartment door.
4. Loosen the screw above the dosing compartment using an Allen key in order to release the rear panel of the dosing compartment.



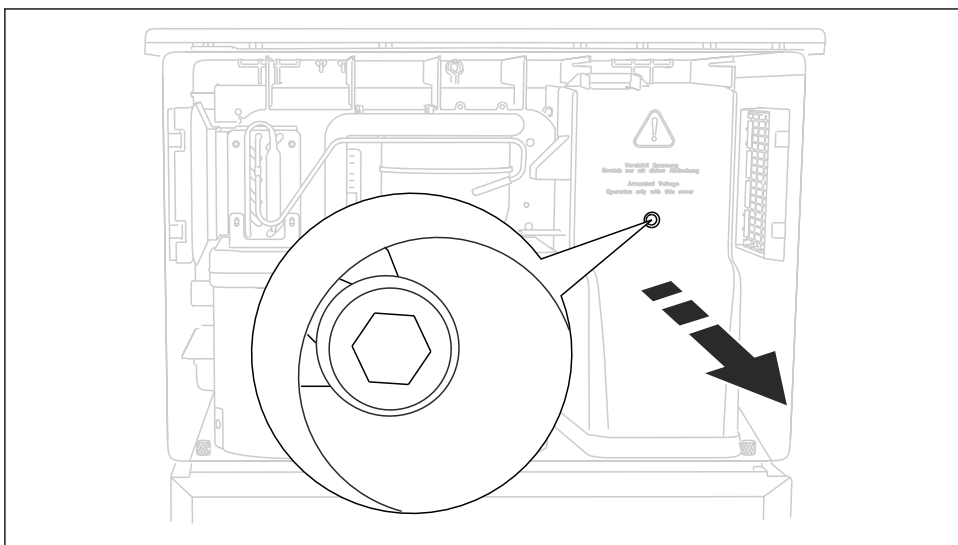
A0046976

5. Lift up the rear panel.



A0048979

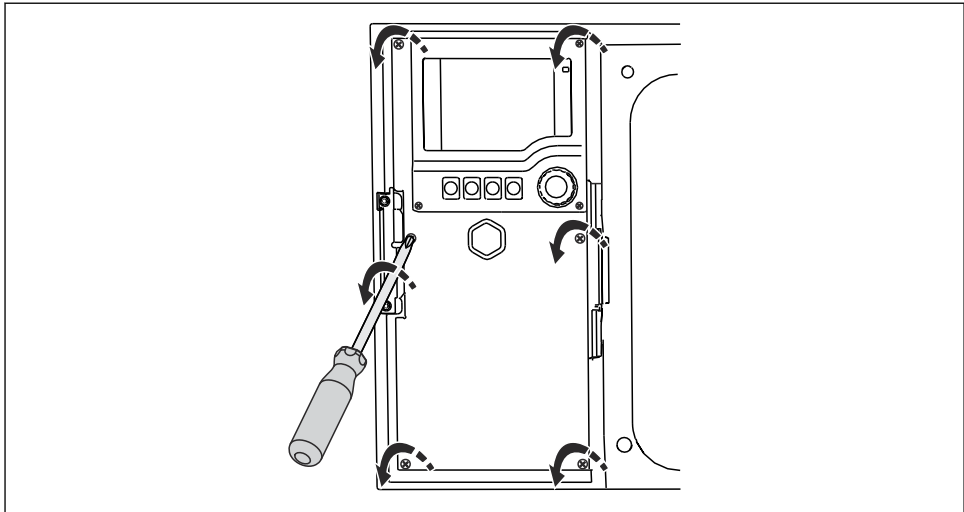
6. Now remove the rear panel towards the back and put it in a safe place.
7. Loosen the screw of the power supply cover using an Allen key and remove the power supply cover.



A0049004

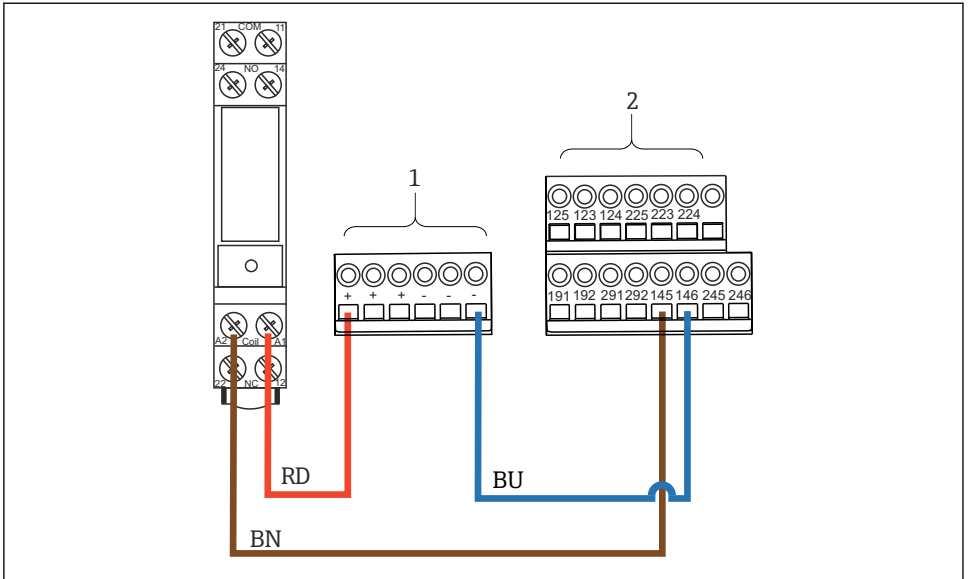
Replacing the alarm relay

1. Loosen the screws (x 6) on the controller housing using a Phillips screwdriver and open the housing cover to the right.



A0049006

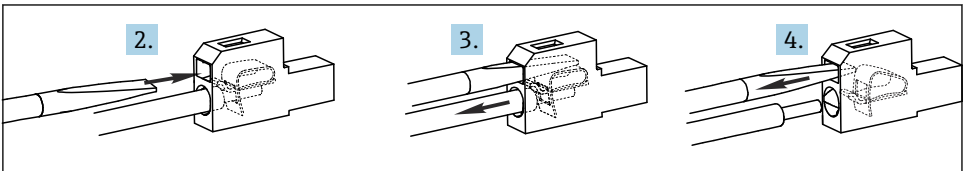
2. Disconnect the wiring (brown cable and blue cable) of the existing alarm relay. To do so, insert a suitable screwdriver into the opening of the terminal spring (square opening) as far as the limit stop.



A0049008

3 Disconnecting the wiring

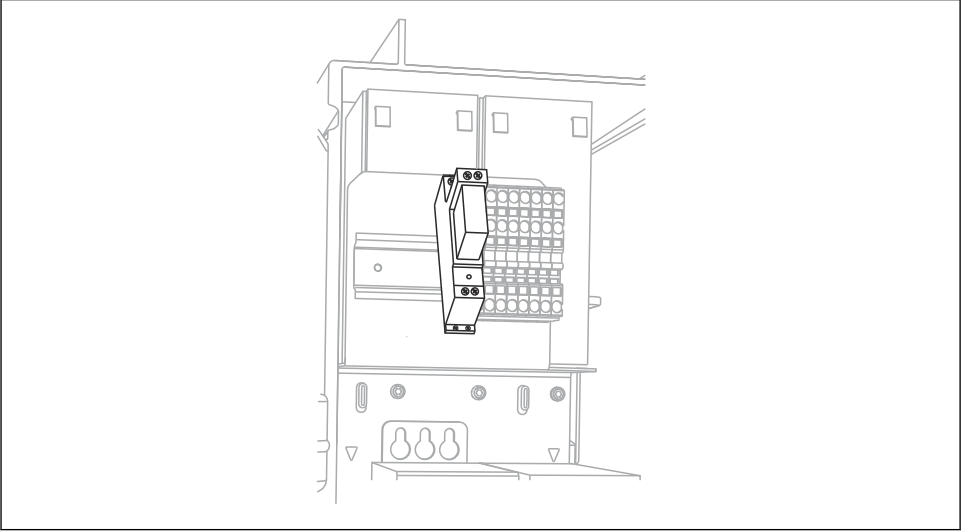
- 1 Rear terminal block
- 2 Front terminal block (FMSY1 control module)
- BN Brown cable
- RD Red cable
- BU Blue cable



A0049115

3. Pull the cable end out of the terminal opening (round opening).
4. Remove the screwdriver.
5. Route the loose cables of the existing alarm relay along the right inner wall of the dosing compartment towards the back.
6. Remove the existing alarm relay from the DIN rail. To do so, pull the alarm relay off the lower edge of the DIN rail towards the front and then remove it from the upper edge of the DIN rail towards the top.

7. Fix the new alarm relay on the DIN rail. To do so, hook the new alarm relay onto the upper edge of the DIN rail, then press the entire alarm relay onto the DIN rail until it locks into place.

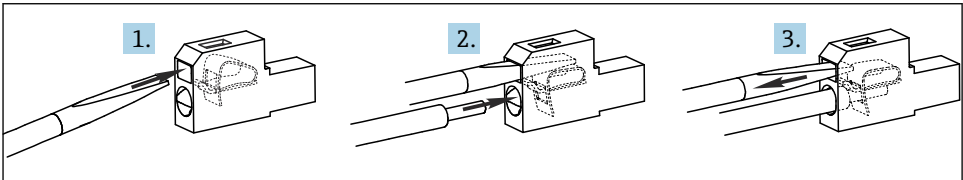


A0049005

8. Route the loose cables of the new alarm relay along the right inner wall of the dosing compartment towards the front.

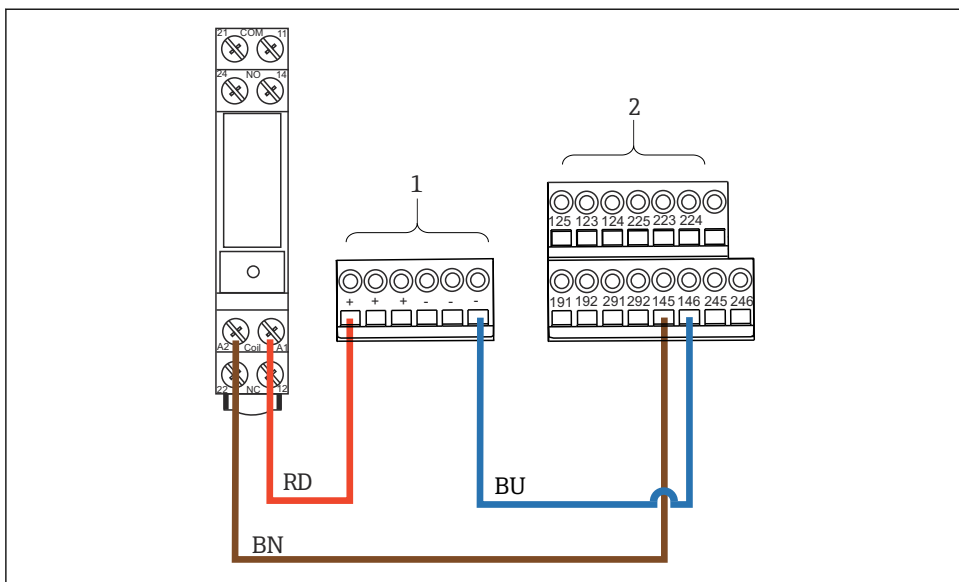
Wiring

1. Insert a suitable screwdriver into the opening of the terminal spring (square opening) as far as the limit stop.



A0049007

2. Insert the terminated cable end into the terminal opening (round opening).
3. Remove the screwdriver and check that the cable is securely seated in the terminal.



A0049008

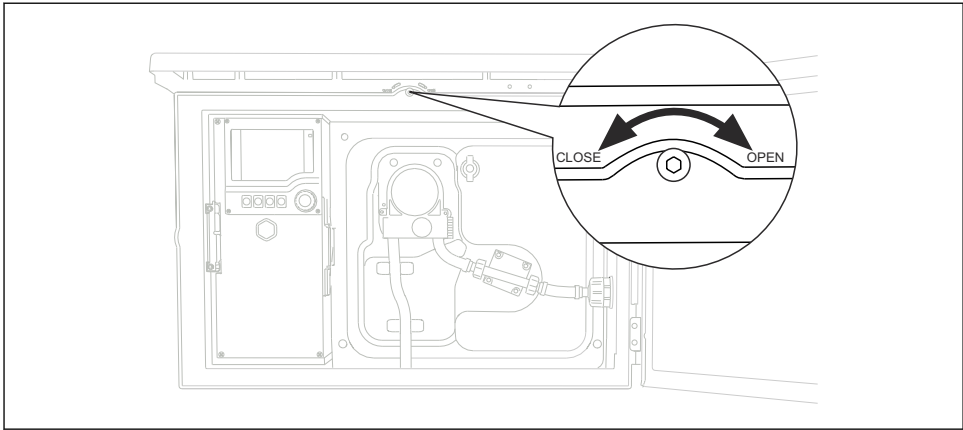
4 Wiring

- 1 Rear terminal block
- 2 Front terminal block (FMSY1 control module)
- BN Brown cable
- RD Red cable
- BU Blue cable

4. Insert the power supply cover and screw the cover on with an Allen key.
5. Insert the controller housing and screw in and tighten the 6 screws using a Phillips screwdriver.

Inserting the rear panel of the dosing compartment

1. Slide the rear panel into the holder from below and then guide the metal tabs into the slot provided for this purpose.
2. Tighten the screw above the dosing compartment using an Allen key in order to fix the rear panel of the dosing compartment in place.



A0048978

3. Close the dosing compartment door.
4. Reconnect the sampler to the mains voltage and start the sampling program.
5. Perform a function test with the sampler.

9 Disposal

- ▶ Please observe local regulations!



71572550

www.addresses.endress.com
