



Special Documentation

Weather protection cover for dual compartment housing

Accessories

Intended use

The weather protection cover is designed for the following types of housing:

- Dual compartment housing; aluminum, coated
- Dual compartment housing, L-form; aluminum, coated
- Dual compartment housing; 316L
- Dual compartment L-shape; 316L

Safety instructions

⚠ WARNING

Hazardous area: Risk of explosion due to static charge on weather protection cover!

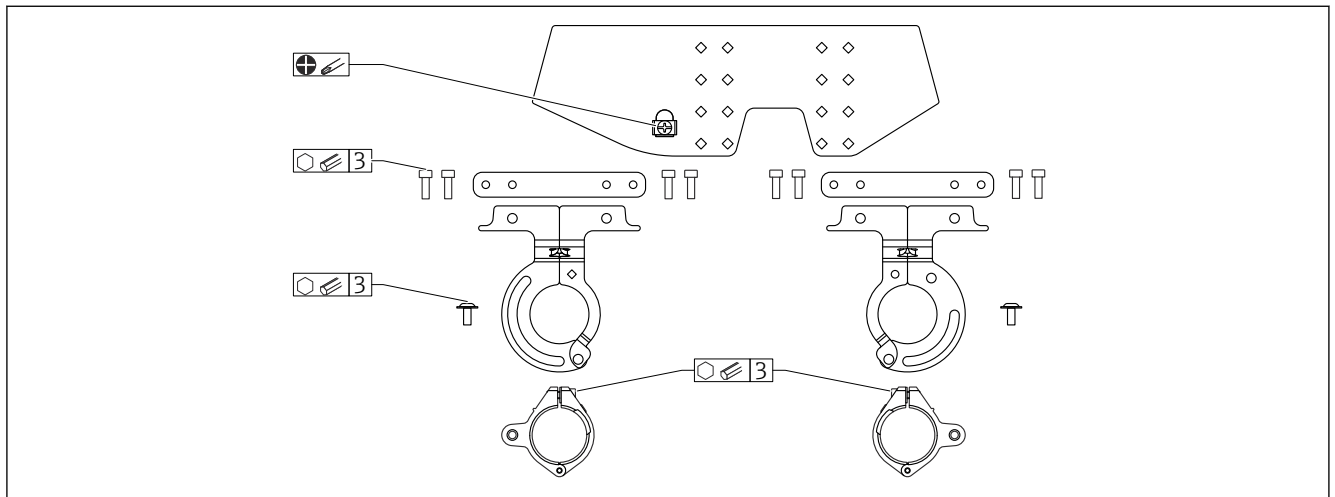
- ▶ Connect the weather protection cover to local potential equalization!

⚠ CAUTION

Risk of injury due to mechanical damage!

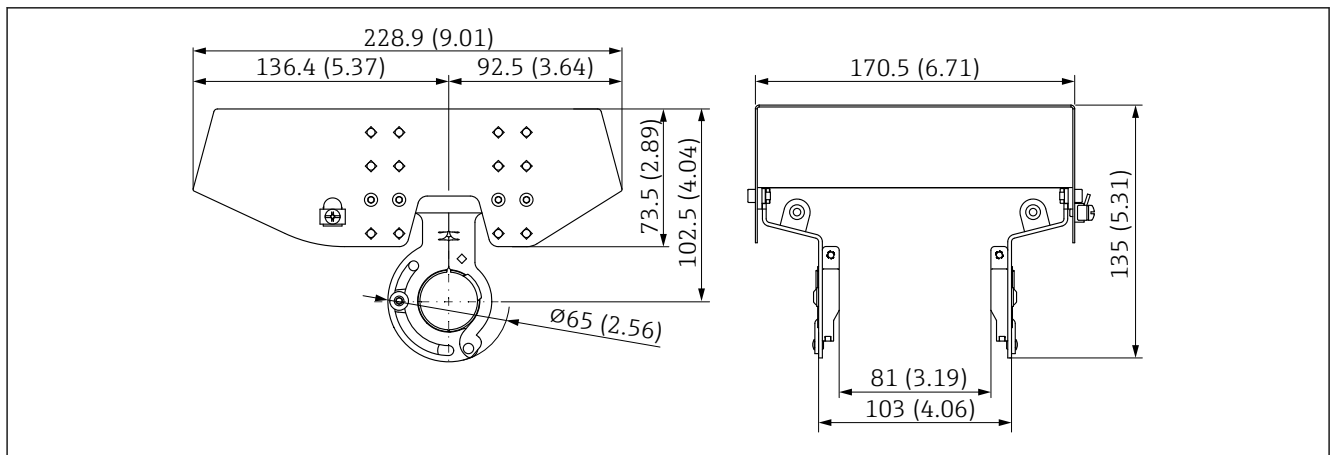
- ▶ Do not step or climb on the weather protection cover!

Scope of delivery



A0041820

Dimensions

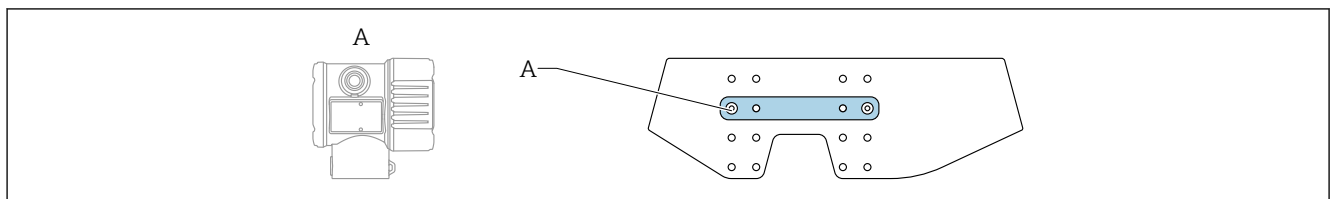


A0039231

Unit of measurement mm (in)

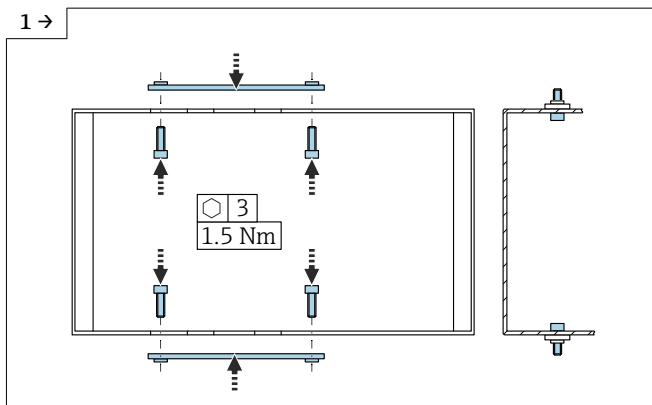
Installation

Dual compartment housing, aluminum/316L

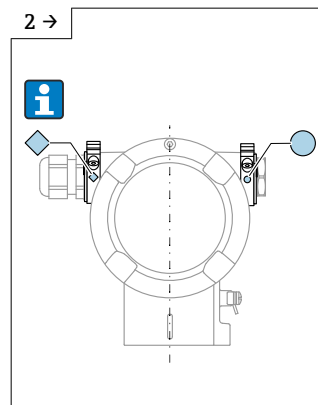


A0050533

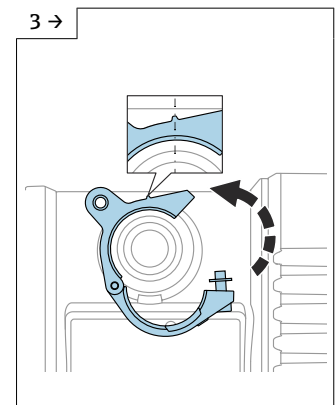
1 Installation height of dual compartment housing Alu/316L



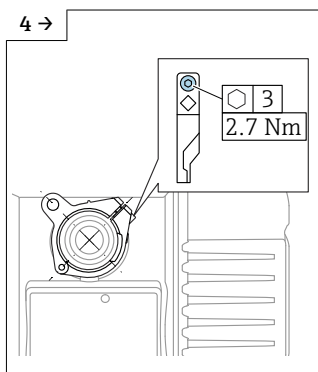
A0041777



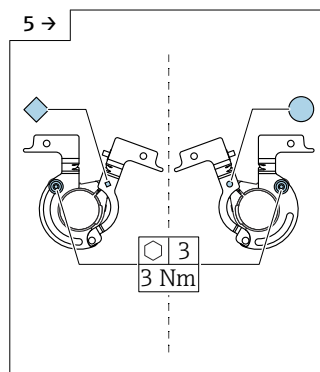
A0039751



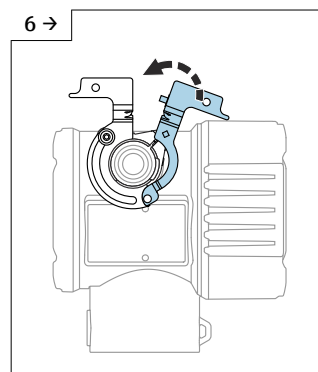
A0041575



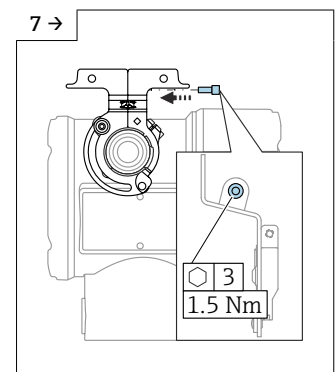
A0041740



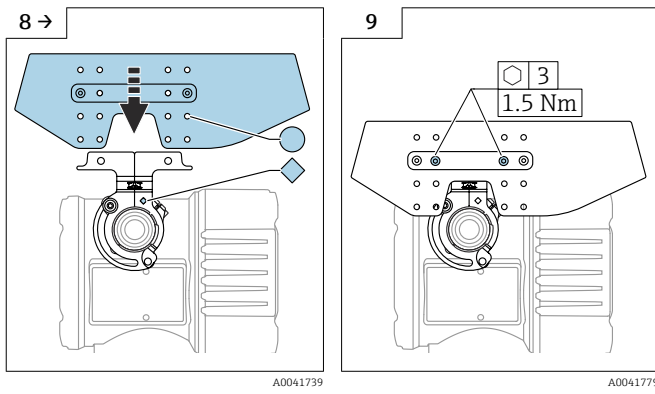
A0041741



A0041742

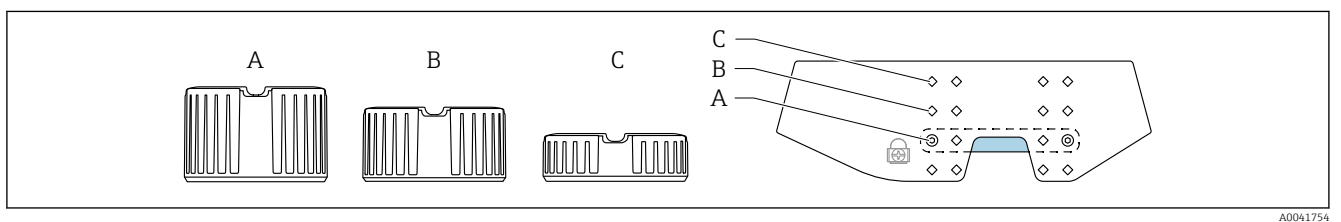


A0041743



Dual-compartment housing, L-form

The weather protection cover is mounted as follows depending on the cover height:



2 Installation height of dual compartment housing, L-form

