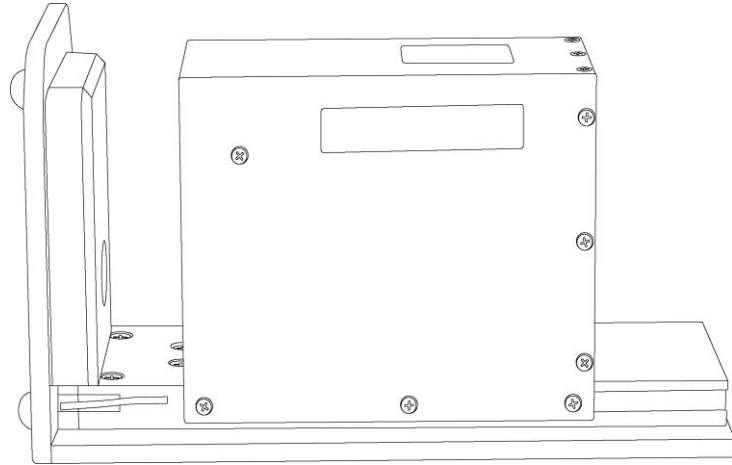


# Technical Information

## Enclosed Sample Compartment



## Table of Contents

### **Function and system design ..... 3**

Introduction.....3

Accessories .....3

### **Specifications.....4**

Dimensions ..... 4

General specifications..... 5

---

## Function and system design

---

### Introduction

The Enclosed sample compartment (ESC) helps reduce the interference of ambient light to get accurate spectra for samples. The ESC is compatible with Endress+Hauser non-contact optics including the Rxn-10 and Rxn-20 probes with non-contact optics.

---

### Accessories

The following sampling kits are available for use with the Enclosed Sample Compartment.

- **Cuvette Holder.** Use this item for liquid samples.
- **Tablet Holder.** Use this item for tablet samples.
- **Powder Holder.** Use this item for powder samples.

## Specifications

### Dimensions

The height, width, and length of the Enclosed Sample Compartment are shown below:

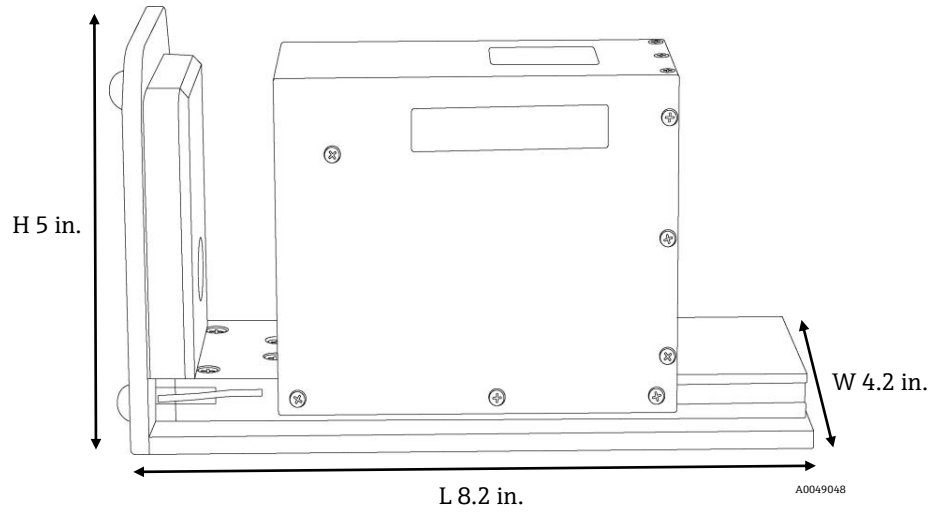


Figure 1. Enclosed Sample Compartment dimensions

Name	Description
Height	12.7 cm (5 in.)
Width	10.67 cm (4.2 in.)
Length	20.8 cm (8.2 in.)

Table 1. Enclosed Sample Compartment dimensions

**General specifications**

The Enclosed Sample Compartment specifications are listed below:

<b>Item</b>	<b>Description</b>
Dimensions	20.8 cm × 10.67 cm × 12.7 cm (8.2 in. × 4.2 in. × 5.0 in.)
Probe Compatibility	Rxn-10 Rxn-20 Rxn-40
Sampling Kits	Cuvette holder (1-cm) Powder holder Tablet holder
Safety Features	Electrical interlock
Alternate Configuration	No interlock, no electrical configuration

*Table 2. General specifications*

[www.addresses.endress.com](http://www.addresses.endress.com)

---