

Installation Instructions

Kit CLS12/CLS13 outer sleeve

For the replacement of the outer sleeve of conductivity sensors CLS12/CLS13



Table of contents

1	Overview of spare part set	3
2	Intended use	3
3	Authorized installation personnel	3
4	Safety instructions	3
5	Symbols	5
6	Scope of delivery	6
7	Replacing the spare part	7
8	Disposal	8

1 Overview of spare part set

Order number	Original spare part set
71603556	Kit CLS12/CLS13 outer sleeve

2 Intended use

The spare part set and the Installation Instructions are used to replace a defective unit with a functioning unit of the same type. Only original parts from Endress+Hauser may be used. As a matter of principle, only spare part sets that Endress+Hauser has intended for the measuring device may be used.


The manufacturer is not liable for damage caused by improper or non-intended use.

Use of the device for any purpose other than that described poses a threat to the safety of people and of the entire measuring system, and is therefore not permitted.

The manufacturer is not liable for damage caused by improper or non-intended use.


3 Authorized installation personnel

- Installation, commissioning, operation and maintenance of the measuring system may be carried out only by specially trained technical personnel.
- The technical personnel must be authorized by the plant operator to perform the stated tasks.
- The electrical connection may only be established by an electrical technician.
- The technical personnel must have read and understood the Operating Instructions and must follow the instructions contained therein.
- Measuring point faults may be repaired only by authorized and specially trained personnel.

 Repairs not described in the Operating Instructions provided must only be carried out directly at the manufacturer's site or by the service organization.

4 Safety instructions

- ▶ Pay attention to the following safety instructions.

 Follow the Operating Instructions for the device.

4.1 Workplace safety

As the user, you are responsible for complying with the following safety conditions:

- Installation guidelines
- Local standards and regulations
- Regulations for explosion protection

WARNING

Process pressure and temperature, contamination, electrical voltage

Risk of serious or fatal injury

- ▶ If a sensor has to be removed during maintenance work, avoid hazards posed by pressure, temperature and contamination.
- ▶ Make sure the device is de-energized before it is opened.
- ▶ Power can be supplied to switching contacts from separate circuits. Also de-energize these circuits before work is performed on the terminals.

4.2 Operational safety

Before recommissioning the entire measuring point:

1. Verify that all connections are correct.
2. Ensure that electrical cables and hose connections are undamaged.
3. Do not operate damaged products, and protect them against unintentional operation.
4. Label damaged products as defective.

During operation:

- ▶ If faults cannot be rectified:
Products must be taken out of service and protected against unintentional operation.

4.3 Product safety





The product is designed to meet state-of-the-art safety requirements, has been tested, and left the factory in a condition in which it is safe to operate. The relevant regulations and international standards have been observed.

4.4 Electrical safety









The replacement of assemblies for the power supply may only be performed by specially trained electrotechnical staff. All work must be carried out according to applicable safety standards. Built-in protective measures must be restored

5 Symbols

5.1 Warnings

Structure of information	Meaning
<p> DANGER</p> <p>Causes (/consequences) If necessary, Consequences of non-compliance (if applicable)</p> <ul style="list-style-type: none"> ▶ Corrective action 	<p>This symbol alerts you to a dangerous situation. Failure to avoid the dangerous situation will result in a fatal or serious injury.</p>
<p> WARNING</p> <p>Causes (/consequences) If necessary, Consequences of non-compliance (if applicable)</p> <ul style="list-style-type: none"> ▶ Corrective action 	<p>This symbol alerts you to a dangerous situation. Failure to avoid the dangerous situation can result in a fatal or serious injury.</p>
<p> CAUTION</p> <p>Causes (/consequences) If necessary, Consequences of non-compliance (if applicable)</p> <ul style="list-style-type: none"> ▶ Corrective action 	<p>This symbol alerts you to a dangerous situation. Failure to avoid this situation can result in minor or more serious injuries.</p>
<p> NOTICE</p> <p>Cause/situation If necessary, Consequences of non-compliance (if applicable)</p> <ul style="list-style-type: none"> ▶ Action/note 	<p>This symbol alerts you to situations which may result in damage to property.</p>

5.2 Symbols used

	Additional information, tips
	Permitted
	Recommended
	Forbidden or not recommended
	Reference to device documentation
	Reference to page
	Reference to graphic
	Result of a step

6 Scope of delivery

71603556 Kit CLS12/CLS13 outer sleeve

Item	Description	Quantity	Base unit
a	Outer sleeve	1	Piece
	Service kit instructions	1	Piece



A0052077

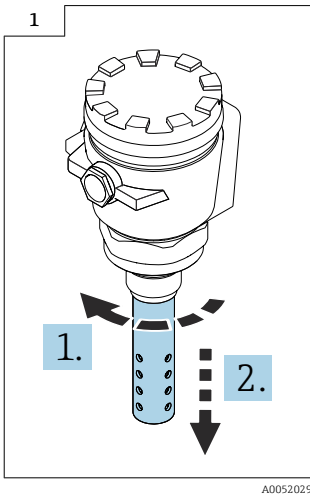


1

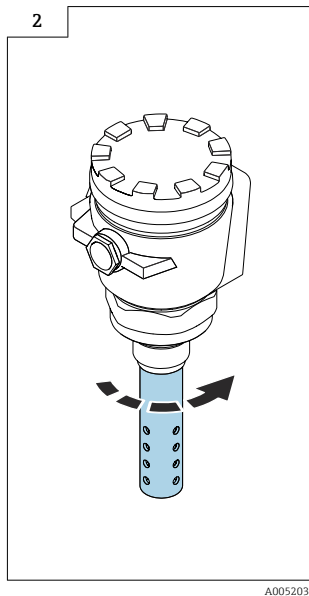
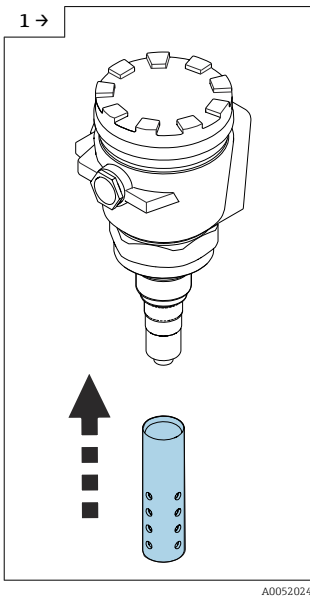
Outer sleeve CLS12/CLS13

7 Replacing the spare part

7.1 Replacing the outer sleeve



► Replace the old outer sleeve with a new outer sleeve from the kit.



8 Disposal

- ▶ Observe the local regulations.



If required by the Directive 2012/19/EU on waste electrical and electronic equipment (WEEE), the product is marked with the depicted symbol in order to minimize the disposal of WEEE as unsorted municipal waste. Do not dispose of products bearing this marking as unsorted municipal waste. Instead, return them to the manufacturer for disposal under the applicable conditions.



71604907

www.addresses.endress.com
