

Installation Instructions

Kit XPC0002, XPC0004 ... 0008

Spare parts dependent on the assembly material

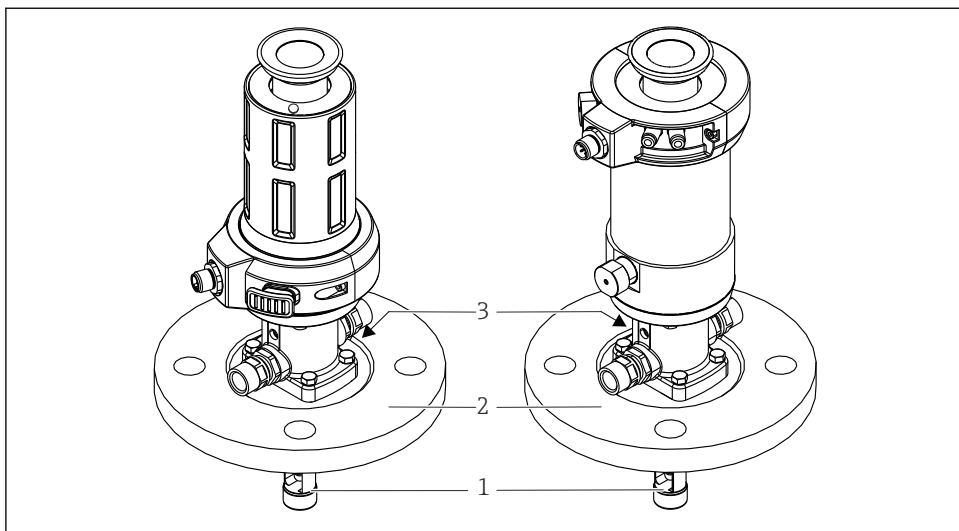
Replacement for Cleanfit CPA871 process retractable assembly



Table of contents

1	Overview	3
2	Intended use	3
3	Authorized installation personnel	4
4	Safety instructions	4
5	Scope of delivery	5
6	Additional documentation	10
7	Disposal	10

1 Overview



A0050382

1 Cleanfit CPA871 process retractable assembly


- 1 Sensor holder (various versions)
- 2 Process connections and raised faces
- 3 Service chamber (various versions)

2 Intended use

- The parts of the kits must only be used as retrofit parts or replacement parts for Cleanfit CPA871 retractable assemblies. Any other use is not permitted!
- Only use original parts from Endress+Hauser.
- In the W@M Device Viewer, check if the spare part is suitable for the existing device.

3 Authorized installation personnel

- Installation, commissioning, operation and maintenance of the measuring system may be carried out only by specially trained technical personnel.
- The technical personnel must be authorized by the plant operator to carry out the specified activities.
- The electrical connection may be performed only by an electrical technician.
- The technical personnel must have read and understood these Installation Instructions and must follow the instructions they contain.
- Faults at the measuring point may only be rectified by authorized and specially trained personnel.

 Repairs not described in the Operating Instructions provided must only be carried out directly at the manufacturer's site or by the service organization.

4 Safety instructions

WARNING

Risk of injury from high pressure, high temperature or chemical hazards if process medium escapes!

- ▶ Before installing or removing an assembly, depressurize the system, drain the system and clean it.

WARNING

Danger due to compressed air in the case of pneumatically operated assemblies!

- ▶ Before starting work on the assembly, switch off the compressed air supply and vent the compressed air lines.

CAUTION

Contact with the medium poses a health hazard!

- ▶ Wear protective gloves, protective goggles and protective clothing, particularly when working with reagents, chemicals or process solutions.
- ▶ In case of contact with eyes or skin, rinse the affected area with plenty of water and then seek medical advice. Show the relevant safety data sheet to the physician.

NOTICE

Material damage due to solvents!

- ▶ Do not use any halogen-containing organic solvents or acetone. These solvents could destroy plastic components of the assembly.

Impact on the process

Before decommissioning an active device, the potential impact on the overall process must be taken into account! This applies in particular to the use of the switching contacts, analog signal outputs or the communication interface of the associated measuring device to control process variables. Coordinate service tasks with the operator!

5 Scope of delivery

5.1 Kits: Sensor holder (immersion tube)

The kits contain the following parts →  2,  5:

- 1 x Sensor holder (version depends on the order code)
- 1 x Kit instructions



A0050277

 2 Kit: Sensor holder

- 1 Steel sensor holder (XPC0002, XPC0004 + 0005), for length and material, see kit contents
- 2 Plastic sensor holder (XPC0006 - 0008), for length and material, see kit contents

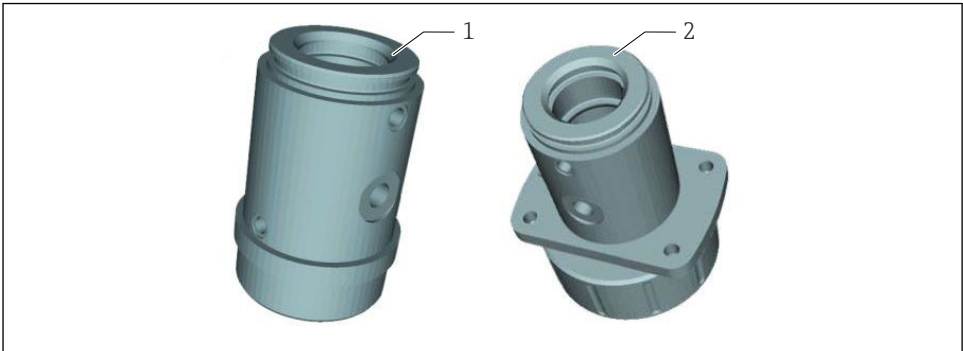
Material	Sensor holder length	Order code		Sensor holder length	Order code
1.4404	119.7 mm	0004-A+C1		220.1 mm	0004-A+C3
	161.2 mm	0004-A+C2		272.1 mm	0004-A+C4
2.4602	119.7 mm	0005-B+C1		220.1 mm	0005-B+C3
	161.2 mm	0005-B+C2			
PEEK	119.7 mm	0006-C+C1		220.1 mm	0006-C+C3
	161.2 mm	0006-C+C2			
PVDF	119.7 mm	0007-D+C1		220.1 mm	0007-D+C3
	161.2 mm	0007-D+C2			
PVDF-LF	119.7 mm	0008-E+C1		220.1 mm	0008-E+C3
	161.2 mm	0008-E+C2			
PP	119.7 mm	0002-C+C1		161.2 mm	0002-C+C2

Order codes:	
XPC0004-A+C1 / +C2 / +C3 / +C4: 1.4404	XPC0007-D+C1 / +C2 / +C3: PVDF
XPC0005-B+C1 / +C2 / +C3: 2.4602 (Alloy C-22)	XPC0008-D+C1 / +C2 / +C3: PVDF conductive
XPC0006-C+C1 / +C2 / +C3: PEEK	XPC0002-C+C1 / +C2: PP
+C1: Basic version with 36 mm stroke +C3: Immersion version 99 mm with 36 mm stroke +C2: Basic version with 78 mm stroke and DN25 +C4: Immersion version 151 mm with 36 mm stroke	


5.2 Kits: Service chamber basic version and DN25

The kits contain the following parts →  3,  6:

- 1 x Service chamber (version depends on the order code)
- 1 x Kit instructions



A0050278

 3 Kit: Service chamber, standard and DN25

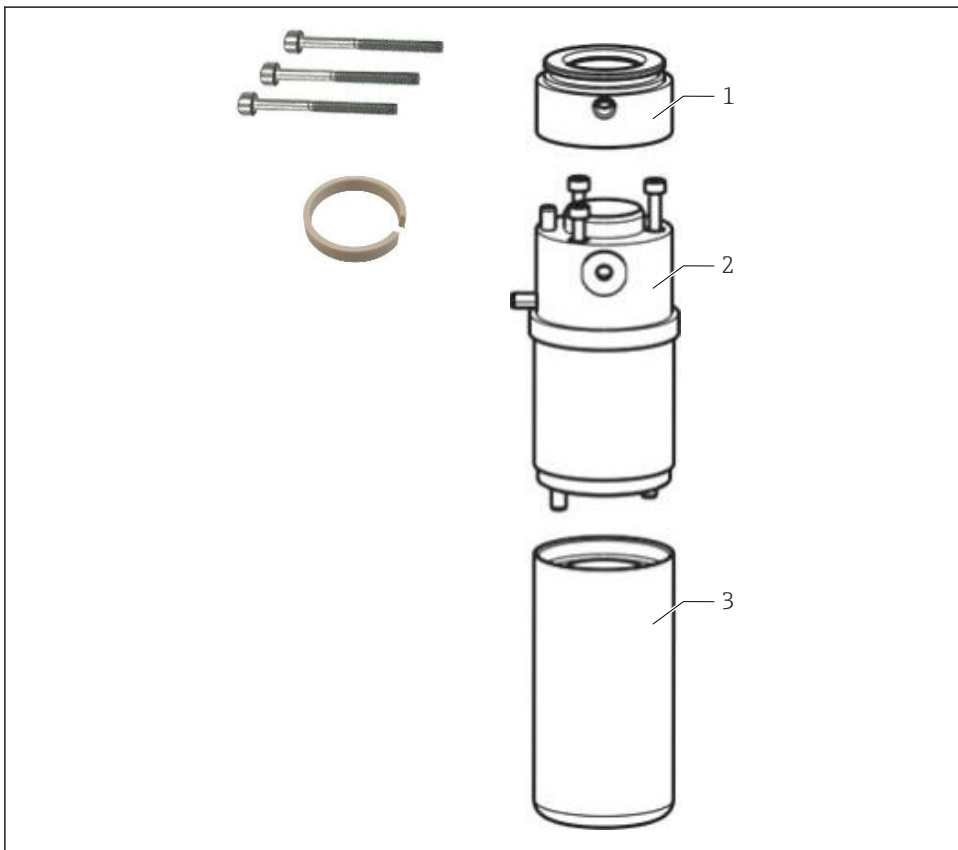
- 1 Standard service chamber (not DN25), material depends on the order code
- 2 Service chamber for DN25, material 1.4404

Order codes:	
XPC0004-A+D1 / +D2 / +D3: 1.4404	XPC0007-D+D1 / +D2 / +D3: PVDF
XPC0005-B+D1 / +D2 / +D3: 2.4602 (C-22)	XPC0008-E+D1 / +D2 / +D3: PVDF conductive
XPC0006-C+D1 / +D2 / +D3: PEEK	XPC0002-C+D1 / +D2: PP
+D1: Basic version with 36 mm stroke (not for DN25) +D2: Basic version with 78 mm stroke (not for DN25) +D3: Basic version with 78 mm stroke (not for DN25)	

5.3 Kits: Service chamber for immersion version

The kits contain the following parts →  4,  7:

1 x	Service chamber end (always 1.4404)	1 x	PEEK slide bushing (for service chamber, only for +
1 x	Service chamber top part (material depends on the order code)	3 x	Allen screw M3 x 30, 1.4401, DIN 912
1 x	Service chamber rinse part (material depends on the order code)	1 x	Kit instructions



A0050279

 4 *Kit: Service chamber immersion version*


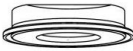




- 1 *End, material always 1.4404*
- 2 *Top part, material depends on the order code*
- 3 *Rinse part, material depends on the order code*






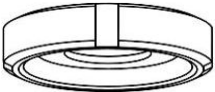
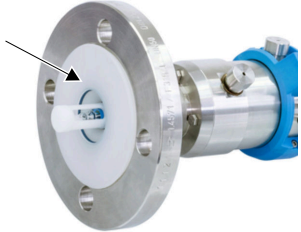
Order codes:	
XPC0004-A+D4 / +D5: 1.4404	XPC0007-D+D4: PVDF
XPC0005-B+D4: 2.4602 (C-22)	XPC0008-E+D4: PVDF conductive
XPC0006-C+D4: PEEK	
+D4: Immersion version 99 mm with 36 mm stroke +D5: Immersion version 151 mm with 36 mm stroke	
Note Service chambers +D4 and +D5 are not suitable for DN25 with G¼".	

5.4 Kits: Process connections and raised faces

The kits contain the following parts →  8:

- 1 x Process connection or raised face (depending on the order code)
- 1 x Kit instructions

Process connection	View of process connections	Spare part order codes
FA Clamp ISO 2852, 2"	 A0050280	XPC0004-A+FA
FB Clamp ISO 2852, 2½"	 A0050281	XPC0004-A+FB
FC Flange DN40, EN 1092-1	 A0050282	XPC0002-C+FC XPC0004-A+FC XPC0006-C+FC XPC0007-D+FC XPC0008-E+FC
FE Flange DN 50, EN 1092-1	 A0050283	XPC0002-C+FE XPC0004-A+FE XPC0005-B+FE XPC0006-C+FE XPC0007-D+FE XPC0008-E+FE
FG Flange DN 80, EN 1092-1	 A0050284	XPC0002-C+FG XPC0004-A+FG XPC0005-B+FG XPC0006-C+FG XPC0007-D+FG XPC0008-E+FG
FI Flange 2" 150 lbs, ASME B16.5	 A0050285	XPC0002-C+FI XPC0004-A+FI XPC0005-B+FI XPC0006-C+FI XPC0007-D+FI XPC0008-E+FI

Process connection	View of process connections	Spare part order codes
FL Flange 3" 150 lbs, ASME B16.5	 <small>A0050286</small>	XPC0002-C+FL XPC0004-A+FL XPC0006-C+FL XPC0007-D+FL XPC0008-E+FL
FN Flange 10K50, JIS B2220	 <small>A0050287</small>	XPC0002-C+FN XPC0004-A+FN, XPC0005-B+FN XPC0006-C+FN, XPC0007-D+FN XPC0008-E+FN
FP Flange 10K80, JIS B2220	 <small>A0050288</small>	XPC0002-C+FP XPC0004-A+FP XPC0006-C+FP XPC0007-D+FP XPC0008-E+FP
FR Thread NPT 1½" (male)	 <small>A0050289</small>	XPC0004-A+FR
FS Dairy fitting DN 50, DIN 11851	 <small>A0050290</small>	XPC0004-A+FS
FT Dairy fitting DN 65, DIN 11851	 <small>A0050291</small>	XPC0004-A+FT
FD, FF, FH, FK, FM, FO, FQ Raised face for process connection with flange	 <small>A0050434</small> Illustrative graphic, design depends on version ordered	XPC0004-A +FD/FF/FH/FK/FM/FO/FQ XPC0005-B+FF/FH/FK/FO XPC0006-C +FD/FF/FH/FK/FM/FO/FQ XPC0007-D +FD/FF/FH/FK/FM/FO/FQ XPC0008-E +FD/FF/FH/FK/FM/FO/FQ

Order codes:	
XPC0004- A +FA ... FT: 1.4404	XPC0007- D +FC ... FQ: PVDF
XPC0005- B +FE ... FO: 2.4602 (C-22)	XPC0008- E +FC ... FQ: PVDF conductive
XPC0006- C +FC ... FQ: PEEK	XPC0002- C +FC ... FQ: PP

6 Additional documentation

Detailed information on the device can be found in the Operating Instructions for the sensor and in the other documentation available via:

- www.endress.com/device-viewer
- Smartphone / tablet: Endress+Hauser Operations app



Detailed service instructions CPA871

The purpose of these instructions is to provide an overview of the spare parts kits and accessories generally available for CPA871 and the scope of delivery of these kits.

Information on the use of these spare parts is not included in these instructions,

but can be found in the detailed repair and maintenance instructions CPA871 (document number 71269404). These are available in the spare parts finder tool on the Endress+Hauser website or directly via

https://portal.endress.com/picpool/sft/advicpdfs/71269404_service.pdf

7 Disposal

7.1 Sensors



If required by the Directive 2012/19/EU on waste electrical and electronic equipment (WEEE), the product is marked with the depicted symbol in order to minimize the disposal of WEEE as unsorted municipal waste. Do not dispose of products bearing this marking as unsorted municipal waste. Instead, return them to the manufacturer for disposal under the applicable conditions.



71604917

www.addresses.endress.com
