

Installation Instructions

Cover, cover seal

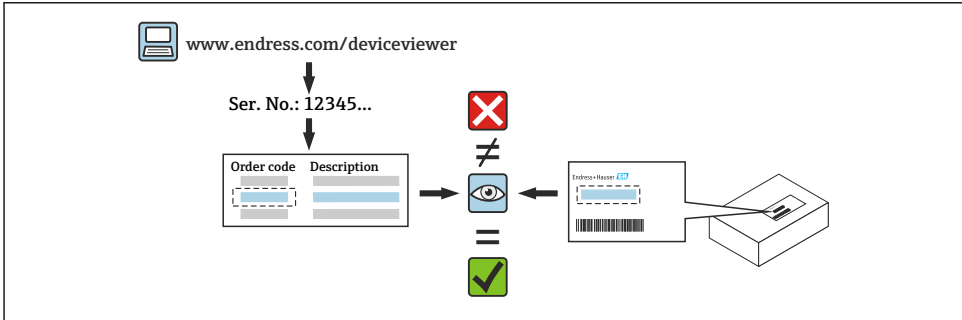
Gammapilot, Liquiphant, Micropilot, Prothermo
Cerabar, Deltabar
Remote display FHX50B



1 Intended use

- A defective unit can only be replaced with a functioning unit of the same type.
- Use only original parts from Endress+Hauser.
- Check in the W@M Device Viewer if the spare part is suitable for the existing measuring device.

i In some measuring devices, an overview of spare parts is provided inside the device. If the spare part set is listed in the overview, it is not necessary to check the Device Viewer.



2 Personnel authorized to carry out repairs

Technical staff must comply with the following requirements for repair, mounting, electrical installation and commissioning of the measuring devices:


- Specialized technical staff must be trained in instrument safety.
- They must be familiar with the individual operating conditions of the devices.
- In the case of Ex-certified measuring devices, they must also be trained in explosion protection.

i Technical staff carrying out work are responsible for ensuring that the work is carried out safely and to the required quality standard. They must also guarantee the safety of the device following repair.

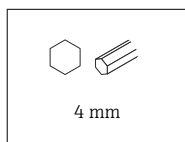
3 Safety instructions

- Comply with national regulations governing mounting, electrical installation, commissioning, maintenance and repair procedures.
- For devices intended for use in hazardous locations, please observe the instructions in the Ex documentation (XA).
- In the case of devices in safety-related applications in accordance with IEC 61508 or IEC 61511: Commission in accordance with Operating Instructions after repair.
- Before removing the device: set the process to a safe state and purge the pipe of dangerous process substances.

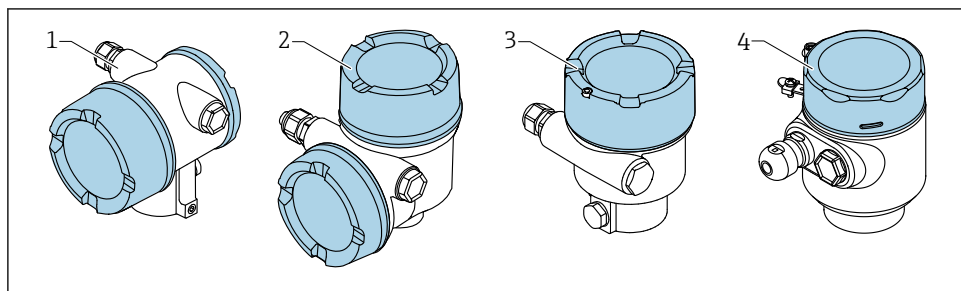
- Risk of injury from hot surfaces! Before commencing work: allow the system and device to cool down to a touchable temperature.
- Observe the Operating Instructions for the device.
- Risk of damage to electronic components! Ensure that the working environment is protected against electrostatic discharge.
- Modifications to the device are not permitted.
- Observe the instructions for transporting and returning the device outlined in the Operating Instructions.

 Contact Endress+Hauser Service if you have questions: www.addresses.endress.com

4 Tool list



5 Housing version



- 1 Dual-compartment housing
- 2 Dual-compartment housing, L-form
- 3 Single-compartment housing
- 4 Single-compartment housing, 316L stainless steel, hygienic

6 Removal

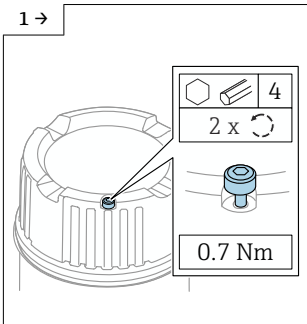


For devices with a cover lock, please note the following:

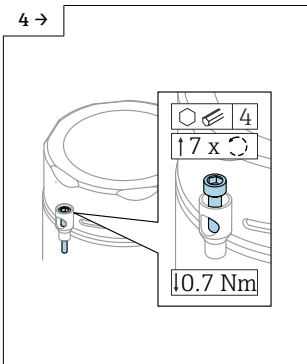
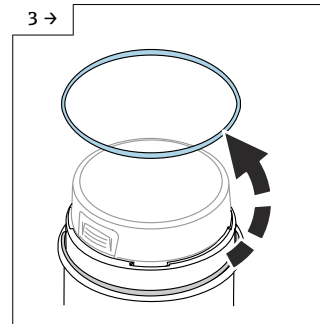
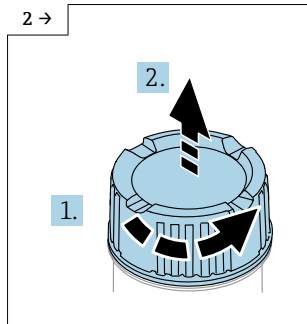
The securing screw must not protrude beyond the lower edge of the cover (does not apply to 316L hygienic single-compartment housing). Pay attention to the position of the securing screw before and while screwing down the cover.

6.1 Single-compartment housing and dual-compartment housing

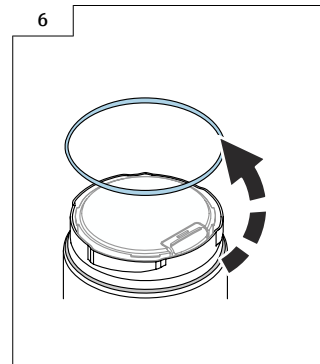
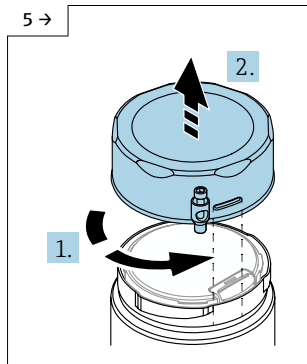
6.1.1 Disassembling the cover and seal



► Optional: cover lock

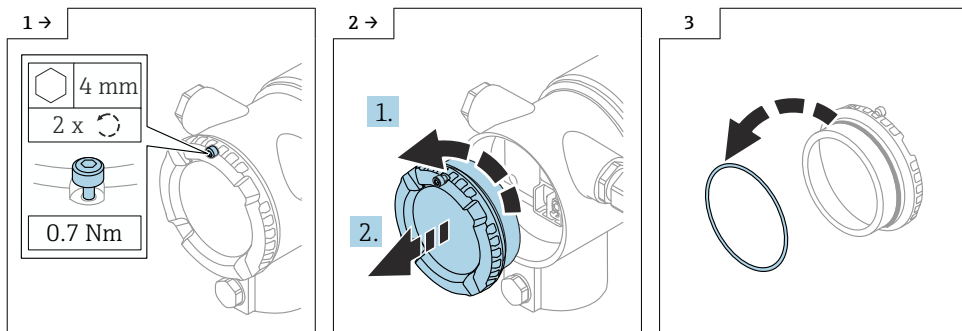


► Optional: cover lock on single-compartment housing, 316L hygienic



6.1.2 Dual-compartment housing (not L-form)

Disassembling the cover and seal



7 Installation

7.1 General installation instructions

Installation is performed by following the removal procedure in reverse order.



71606924

www.addresses.endress.com
