

Safety Instructions

iTHERM TM211, TPx100, TSx310

RTD/TC inserts and cable thermometers

ATEX/IECEX: Ex ia IIC T6 Ga
Ex ia IIC T6 Ga/Gb
Ex ia IIC Txxx °C Da



iTHERM TM211, TPx100, TSx310

RTD/TC inserts and cable thermometers

Table of contents

Associated documentation	4
Supplementary documentation	4
Certificates and declarations	4
Manufacturer address	4
Safety instructions:	5
Safety instructions: General	5
Safety instructions: Installation in equipment of Group III	6
Safety instructions: Intrinsic safety	6
Safety instructions: Zone 0	7
Safety instructions: Special conditions	7
Safety instructions: Partition wall	7
Temperature tables	7
Electrical connection data	10

Associated documentation

All documentation is available on the Internet:
www.endress.com/Deviceviewer
 (enter the serial number from the nameplate).



If not yet available, a translation into EU languages can be ordered.

To commission the device, please observe the Operating Instructions pertaining to the device:

www.endress.com/<product code>, e.g. TPR100

Supplementary documentation

Explosion protection brochure: CP00021Z

The explosion protection brochure is available on the Internet:

www.endress.com/Downloads

Certificates and declarations**IECEX certificate**

Certificate number: IECEX DEK 12.0049X

Affixing the certificate number certifies conformity with the following standards (depending on the device version)

- IEC 60079-0 : 2017
- IEC 60079-11 : 2011
- IEC 60079-26 : 2014

ATEX certificate

Certificate number: DEKRA 12ATEX0161 X

EU Declaration of Conformity

Declaration number: EC_00177

The EU Declaration of Conformity is available on the Internet:

www.endress.com/Downloads

UKCA certificate

Certificate number: CML 21UKEX21239X

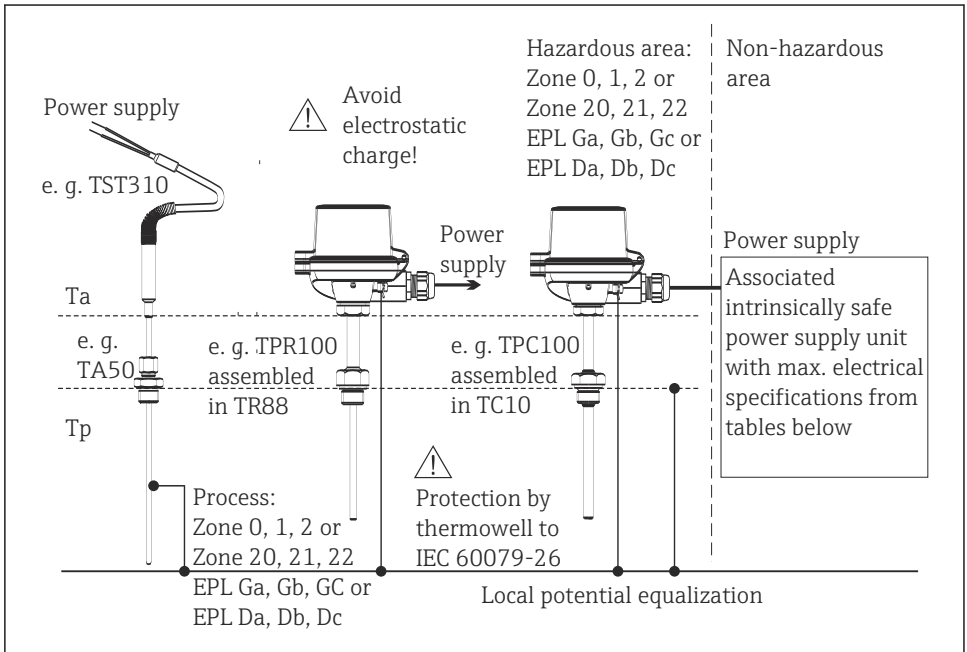
UKCA Declaration of Conformity

Declaration number: UK_00428

Manufacturer address

Endress+Hauser Wetzler GmbH + Co. KG
 Obere Wank 1
 87484 Nesselwang, Germany

Safety instructions:



A0050333

Safety instructions: General

- Comply with the installation and safety instructions in the Operating Instructions.
- Install the device according to the manufacturer's instructions and any other valid standards and regulations (e.g. EN/IEC 60079-14).
- The sensor/housing of the thermometer must be connected to the local potential equalization or installed in a grounded metallic piping or tank respectively.
- It cannot be taken for granted that when using compression fittings (e.g. TA50, TA60, TA70) with non metallic olives that there is a secure grounding when installing in a metal system. This means that an additional safe connection to the local potential equalization needs to be used.

Safety instructions:
Installation in equipment of Group III

- Install the sensor in thermometer/enclosure providing a degree of protection of at least IP5X and in compliance with the enclosure requirements to EN/IEC 60079-0.
- Seal the cable entries tight with certified cable glands (min. IP6X) IP6X according to EN/IEC 60529.
- For operating the thermometer at an ambient temperature under $-20\text{ }^{\circ}\text{C}$ appropriate cables, cable entries and sealing facilities permitted for this application must be used.
- For ambient temperatures higher than $+70\text{ }^{\circ}\text{C}$, use suitable heat-resisting cables or wires, cable entries and sealing facilities for Ta +5 K above surrounding.
- For using of a plug-in connector (e.g. PA-connector by Weidmüller) is to be observed that the requirements for the respective category and the operating temperature are followed.
- The thermometer must be installed and maintained so, that even in the event of rare incidents, an ignition source due to impact or friction between the terminal head and iron/steel is excluded.

⚠ WARNING

Explosive atmosphere

- ▶ In an explosive atmosphere, do not open the device when voltage is supplied (ensure that the IP6x housing protection is maintained during operation).

Safety instructions:
Intrinsic safety

- Comply with the installation and safety instructions in the Operating Instructions.
- Install the device according to the manufacturer's instructions and any other valid standards and regulations (e.g. EN/IEC 60079-14).
- Install the sensor in a thermometer/housing suitable for its marking with a IP rating of at least IP20 according to EN/IEC 60529.
- Observe the safety instructions for the used transmitters.
- The display, type TID10, may only be installed in Zone 1 (EPL Gb) or Zone 2 (EPL Gc).
- The type of protection changes as follows when the devices are connected to certified intrinsically safe circuits of Category ib: Ex ib IIC.
- When connecting to an intrinsically safe ib circuit, do not operate the sensor at Zone 0 without any thermowell according to EN/IEC 60079-26.
- The inserts with dual circuits (3 and 6 mm diameter) and 3 mm diameter are not isolated to the metallic sheath in conformance with EN/IEC 60079-11 chapter 6.3.13.

- When connecting dual sensors make sure that the potential equalizations are at the same local potential equalization.
- Inserts with 3 mm diameter or grounded inserts, e.g. type TPC100 must be connected to the local potential equalization.
- For inserts with 3 mm diameter or grounded inserts, e.g. type TPC100 an intrinsically safe supply with galvanic isolation must be used.

Safety instructions:
Zone 0

- Only operate devices in potentially explosive vapour/air mixtures under atmospheric conditions:
 - $-40\text{ °C} \leq T_a \leq +130\text{ °C}$ (see table Ta housing)
 - $-0.8\text{ bar} \leq p \leq 1.1\text{ bar}$
- If no potentially explosive mixtures are present, or if additional protective measures have been taken, according to EN 1127-1, the transmitters may be operated under other atmospheric conditions in accordance with the manufacturer's specifications.
- Associated apparatus with galvanic isolation between the intrinsically safe and non-intrinsically safe circuits are preferred.

Safety instructions:
Special conditions

For Temperature Sensors Type TST310-..., TSC310-... and TM211, if intended for use in explosive gas atmospheres where the use of apparatus of Equipment Protection Level Ga is required, electrostatic charges on the cable shall be avoided.

Safety instructions:
Partition wall

Install the thermometer in a partition wall which is in compliance with EN/IEC 60079-26 in reference to its ultimate application.

Temperature tables

The dependency of the ambient and process temperatures upon the temperature class for assembly with transmitters:

Type	Assembled transmitter	Temperature class	Ambient temperature range (housing)	Maximum surface temperature (housing)
TPR100, TPC100	TMT84/TMT85	T6	$-40\text{ °C} \leq T_a \leq +55\text{ °C}$	T85 °C
		T5	$-40\text{ °C} \leq T_a \leq +70\text{ °C}$	T100 °C
		T4	$-40\text{ °C} \leq T_a \leq +85\text{ °C}$	T135 °C
	TMT71, TMT72, TMT86 ¹⁾	T6	$-50\text{ °C} \leq T_a \leq +55\text{ °C}$	T85 °C

Type	Assembled transmitter	Temperature class	Ambient temperature range (housing)	Maximum surface temperature (housing)
		T5	$-50\text{ °C} \leq T_a \leq +70\text{ °C}$	T100 °C
		T4	$-50\text{ °C} \leq T_a \leq +85\text{ °C}$	T135 °C
	TMT82 ¹⁾	T6	$-50\text{ °C} \leq T_a \leq +58\text{ °C}$	T85 °C
		T5	$-50\text{ °C} \leq T_a \leq +75\text{ °C}$	T100 °C
		T4	$-50\text{ °C} \leq T_a \leq +85\text{ °C}$	T135 °C
	TMT8x, TMT7x with display	T6	$-40\text{ °C} \leq T_a \leq +55\text{ °C}$	T85 °C
		T5	$-40\text{ °C} \leq T_a \leq +70\text{ °C}$	T100 °C
		T4	$-40\text{ °C} \leq T_a \leq +85\text{ °C}$	T135 °C

1) lower temperature of -52°C is possible with marking Ex ia IIC Ga/Gb only

Type	Assembled transmitter	Insert diameter	Process temperature range	Temperature class/maximum surface temperature(sensor)
TPR100 TPC100	TMT8x TMT7x	3 mm, 3 mm dual or 6 mm dual	$-50\text{ °C} \leq T_p \leq +66\text{ °C}$	T6/T85 °C
			$-50\text{ °C} \leq T_p \leq +81\text{ °C}$	T5/T100 °C
			$-50\text{ °C} \leq T_p \leq +116\text{ °C}$	T4/T135 °C
			$-50\text{ °C} \leq T_p \leq +181\text{ °C}$	T3/T200 °C
			$-50\text{ °C} \leq T_p \leq +276\text{ °C}$	T2/T300 °C
			$-50\text{ °C} \leq T_p \leq +426\text{ °C}$	T1/T450 °C
		6 mm	$-50\text{ °C} \leq T_p \leq +73\text{ °C}$	T6/T85 °C
			$-50\text{ °C} \leq T_p \leq +88\text{ °C}$	T5/T100 °C
			$-50\text{ °C} \leq T_p \leq +123\text{ °C}$	T4/T135 °C
			$-50\text{ °C} \leq T_p \leq +188\text{ °C}$	T3/T200 °C
			$-50\text{ °C} \leq T_p \leq +283\text{ °C}$	T2/T300 °C
			$-50\text{ °C} \leq T_p \leq +433\text{ °C}$	T1/T450 °C



For thermocouple inserts, the temperature class T6...T1 and the maximum surface temperature $T_{200}85\text{ °C} \dots T_{200}450\text{ °C}$ are equal to the process temperature.

The dependency of the ambient and process temperatures upon the temperature class for sensors (terminal block, flying leads or cable sensors):

Insert diameter	Temperature class/Maximum surface temperature	Tp (process) - maximum allowed process temperature (sensor)				
		Pi ≤ 50 mW	Pi ≤ 100 mW	Pi ≤ 200 mW	Pi ≤ 500 mW	Pi ≤ 650 mW
3 mm, 3 mm dual or 6 mm dual	T1/T450 °C	426 °C	415 °C	396 °C	343 °C	333 °C
	T2/T300 °C	276 °C	265 °C	246 °C	193 °C	183 °C
	T3/T200 °C	181 °C	170 °C	151 °C	98 °C	88 °C
	T4/T135 °C	116 °C	105 °C	86 °C	33 °C	23 °C
	T5/T100 °C	81 °C	70 °C	51 °C	-2 °C	-12 °C
	T6/T85 °C	66 °C	55 °C	36 °C	-17 °C	-27 °C
6 mm	T1/T450 °C	433 °C	428 °C	420 °C	398 °C	388 °C
	T2/T300 °C	283 °C	278 °C	270 °C	248 °C	238 °C
	T3/T200 °C	188 °C	183 °C	175 °C	153 °C	143 °C
	T4/T135 °C	123 °C	118 °C	110 °C	88 °C	78 °C
	T5/T100 °C	88 °C	83 °C	75 °C	53 °C	43 °C
	T6/T85 °C	73 °C	68 °C	60 °C	38 °C	28 °C

Insert diameter	Temperature class/Maximum surface temperature	Tp (process) - maximum allowed process temperature (sensor)			Ta - ambient temperature (housing) ¹⁾
		Pi ≤ 750 mW	Pi ≤ 800 mW	Pi ≤ 1000 mW	
3 mm, 3 mm dual or 6 mm dual	T1/T450 °C	320 °C	312 °C	280 °C	-40 °C ≤ Ta ≤ +130 °C
	T2/T300 °C	170 °C	162 °C	130 °C	
	T3/T200 °C	75 °C	62 °C	30 °C	
	T4/T135 °C	10 °C	2 °C	-30 °C	-40 °C ≤ Ta ≤ +116 °C
	T5/T100 °C	-25 °C	-33 °C	-	-40 °C ≤ Ta ≤ +81 °C
	T6/T85 °C	-40 °C	-	-	-40 °C ≤ Ta ≤ +66 °C
6 mm	T1/T450 °C	381 °C	377 °C	361 °C	-40 °C ≤ Ta ≤ +130 °C
	T2/T300 °C	231 °C	227 °C	211 °C	
	T3/T200 °C	136 °C	127 °C	111 °C	
	T4/T135 °C	71 °C	67 °C	51 °C	-40 °C ≤ Ta ≤ +123 °C

Insert diameter	Temperature class/ Maximum surface temperature	Tp (process) - maximum allowed process temperature (sensor)			Ta - ambient temperature (housing) ¹⁾
		Pi ≤ 750 mW	Pi ≤ 800 mW	Pi ≤ 1000 mW	
	T5/T100 °C	36 °C	32 °C	16 °C	-40 °C ≤ Ta ≤ +88 °C
	T6/T85 °C	21 °C	17 °C	1 °C	-40 °C ≤ Ta ≤ +73 °C

- 1) The ambient temperature at the terminal head may be directly influenced by the process temperature, but is restricted to the range -50° C ... +130°C.



For thermocouple inserts, the temperature class T6...T1 and the maximum surface temperature $T_{200}85^{\circ}\text{C} \dots T_{200}450^{\circ}\text{C}$ are equal to the process temperature.

Determination of process temperature for $P_i \leq 50 \text{ mW}$:

Insert diameter	Thermal resistance (Rth) for $P_i \leq 50 \text{ mW}$	Formula for calculating process temperature (Tp)
3 mm, 3 mm dual or 6 mm dual	274 K/W	$T_p < T_{\text{class}}^{1)} - \text{Tol.}^{2)} - (\text{Rth} \cdot \text{Po})^{3)}$
6 mm	144 K/W	

- 1) Inserting of temperature class, e. g. 85 °C(K) for T6
 2) Inserting of tolerances to EN/IEC 60079-0, chapter 26.5.1.3: 5 K for T6, T5, T4 and T3. 10 K for T2 and T1.
 3) Po of intrinsic safe temperature input (e. g. measurement circuit TMT72, Po = 5.2 mW)

Calculation example for 6 mm insert:

$$T_p < T_{\text{class}} - \text{Tol.} - (\text{Rth} \times \text{Po})$$

$$T_p < 85^{\circ}\text{C(K)} - 5 \text{ K} - (144 \text{ K/W} \times 5.2 \text{ mW})$$

$$T_p < 79.25^{\circ}\text{C}$$

Electrical connection data

Associated intrinsically safe power supply unit with maximum electrical specifications below the characteristic values of the assembled transmitter:

Transmitter	Ui	Ii	Pi	Ci	Li
TMT71, TMT72	30 V	100 mA	800 mW	0	0
TMT82		130 mA			
TMT84, TMT85	FISCO field device				
TMT86	FISCO field device				

Transmitter	Ui	Ii	Pi	Ci	Li
Terminal block	30 V	140 mA	1000 mW	See tables below	
Flying leads					

TSx310:

Sensor type	Insertion length NL		Connection		Length extension L	
	C _i /F/m	L _i /H/m	C _i /F	L _i /H	C _i /F/m	L _i /H/m
Single	2,00E-10	1,00E-06	2,50E-11	1,25E-07	2,00E-10	1,00E-06
Dual	4,00E-10	2,00E-06	5,00E-11	2,50E-07	4,00E-10	2,00E-06

Calculation formula for cable thermometer:

- $C_i = C_{i \text{ Sensor length NL}} \times NL + C_{i \text{ connection}} + C_{i \text{ cable L}} \times L$
- $L_i = L_{i \text{ Sensor length NL}} \times NL + L_{i \text{ connection}} + L_{i \text{ cable L}} \times L$

TPx100

Sensor type	Insertion length IL		Flying leads		Terminal block	
	C _i /F/m	L _i /H/m	C _i /F	L _i /H	C _i /F	L _i /H
Single	2,00E-10	1,00E-06	1,96E-11	9,80E-08	4,60E-12	2,30E-08
Dual	4,00E-10	2,00E-06	3,92E-11	1,96E-07	9,20E-12	4,60E-08

Calculation formula for options with flying leads and terminal block only:

- $C_i = C_{i \text{ insertion length IL}} \times IL + C_{i \text{ flying leads}}$
- $L_i = L_{i \text{ insertion length IL}} \times IL + L_{i \text{ flying leads}}$
- $C_i = C_{i \text{ insertion length IL}} \times IL + C_{i \text{ terminal block}}$
- $L_i = L_{i \text{ insertion length IL}} \times IL + L_{i \text{ terminal block}}$

Category	Type of protection (ATEX/IECEx)	Type
II1D	Ex ia IIIC T ₂₀₀ 85 °C...T ₂₀₀ 450 °C Da	iTHERM TM211 TPR100, TPC100 TST310, TSC310
II1G	Ex ia IIC T6...T1 Ga	



71608334

www.addresses.endress.com
