

Safety Instructions

Liquicap M

FMI51, FMI52, FTI51, FTI52

Ex ia IIC T6...T3 Ga/Gb

Ex ia IIC T6...T3 Gb



Liquicap M FMI51, FMI52, FTI51, FTI52

Table of contents

Associated documentation	4
Supplementary documentation	4
Certificates and declarations	4
Certificate holder	4
Extended order code	4
Safety instructions: General	12
Safety instructions: Special conditions	12
Safety instructions: Installation	13
Temperature tables	15
Connection data	17

Associated documentation

To commission the device, please observe the Operating Instructions pertaining to the device:

FMI51
BA01978F, BA01989F

FMI52
BA01986F, BA02021F

FTI51
BA02031F

FTI52
BA02032F

Supplementary documentation

Explosion protection brochure: CP00021Z

The explosion protection brochure is available on the Internet:
www.endress.com/Downloads

Certificates and declarations**Certificate of Conformity**

Certificate number:
CML 23JPN2053X

Affixing the certificate number certifies conformity with the following standards (depending on the device version):

- JNIO SH-TR-46-1:2020
- JNIO SH-TR-46-6:2015
- IEC 60079-26:2021

Certificate holder

Endress+Hauser SE+Co. KG
Hauptstraße 1
79689 Maulburg, Germany

Address of the manufacturing plant: See nameplate.

Extended order code

The extended order code is indicated on the nameplate, which is affixed to the device in such a way that it is clearly visible. Additional information about the nameplate is provided in the associated Operating Instructions.

Structure of the extended order code

FMI5x, FTI5x	-	*****	+	A*B*C*D*E*F*G*..
<i>(Device type)</i>		<i>(Basic specifications)</i>		<i>(Optional specifications)</i>

* = Placeholder

At this position, an option (number or letter) selected from the specification is displayed instead of the placeholders.

Basic specifications

The features that are absolutely essential for the device (mandatory features) are specified in the basic specifications. The number of positions depends on the number of features available.

The selected option of a feature can consist of several positions.

Optional specifications

The optional specifications describe additional features for the device (optional features). The number of positions depends on the number of features available. The features have a 2-digit structure to aid identification (e.g. JA). The first digit (ID) stands for the feature group and consists of a number or a letter (e.g. J = Test, Certificate). The second digit constitutes the value that stands for the feature within the group (e.g. A = 3.1 material (wetted parts), inspection certificate).

More detailed information about the device is provided in the following tables. These tables describe the individual positions and IDs in the extended order code which are relevant to hazardous locations.

Extended order code: Liquicap M



The following specifications reproduce an extract from the product structure and are used to assign:

- This documentation to the device (using the extended order code on the nameplate).
- The device options cited in the document.

Device type

FMI51, FMI52

Basic specifications

Position 1 (Approval)	
Selected option	Description
FMI5x S	JPN Ex ia IIC T6...T3 Ga/Gb

Position 3 (Active Probe length L1; Insulation)		
Selected option	Description	
FMI51	A, H mm/in, 10mm/0.4" rod, 316L ¹⁾
	B, D, K, N mm/in, 16mm/0.6" rod, 316L
	C, M mm/in, 22mm/0.9" rod, 316L
	E, P mm/in, 10mm/0.4" rod, 316L + ground tube ¹⁾
	F, G, R, S mm/in, 16mm/0.6" rod, 316L + ground tube
FMI52	A, B, C, D mm/in, 316

- 1) Only suitable for installation in the less critical zone Gb or Db. Not suitable for zone separation.

Position 4-6 (Process Connection)		
Selected option		Description
FMI52	ACx, AEx, ANx, AQx	NPS 1/1-1/2", 316/316L ¹⁾
	AFx, AGx, AHx, AJJ, ARx, ASJ, ATJ, AUJ	NPS 2/3/4/6", 316/316L
	BOx, B1x, B2x	DN25/32/40, 316L ¹⁾
	BSx, BTx, B3x, CGJ, CHJ, CRJ, DGJ, DRJ, EGJ, ERJ	DN50/80/100, 316L
	GDJ, GEJ, GWJ	Thread ISO228 G3/4 / G1, 316L ¹⁾
	GGJ	Thread ISO228 G1-1/2, 316L
	KCx, KEx	10K 25A/40A, 316L ¹⁾
	KFx, KGx, KHx	10K 50A/80A/100A, 316L
	KRJ	20K 50A, 316L ¹⁾
	MRJ	DIN11851 DN50 PN40, 316L ¹⁾
	RDJ, REJ	Thread ANSI NPT3/4 / NPT1, 316L ¹⁾
	RGJ	Thread ANSI NPT1-1/2, 316L
	Txx	Tri-Clamp ISO2852, 316L ¹⁾
	UPJ	Universal adapter 44mm 316L ¹⁾

1) Not suitable for zone separation.

Position 7 (Electronics, Output)		
Selected option		Description
FMI5x	A	FEI50H; 4-20mA HART + display
	B	FEI50H; 4-20mA HART
	C	FEI57C; 2-wire PFM

Position 8 (Housing)		
Selected option		Description
FMI5x	1	F15 316L hygiene IP66/67 NEMA4X
	2	F16 Polyester IP66/67 NEMA4X
	3	F17 Alu IP66/67 NEMA4X
	4	F13 Alu IP66 NEMA4X + gas-tight probe seal
	5	T13 Alu IP66 NEMA4X + gas-tight probe seal + separate conn. compartment
	6	F27 316L IP66/67 NEMA6P + gas-tight probe seal

Position 9 (Cable Entry)		
Selected option		Description
FMI5x	A	Gland M20
	B	Thread G1/2
	C	Thread NPT1/2
	D	Thread NPT3/4
	E	Plug M12

Position 10 (Type of Probe)		
Selected option		Description
FMI5x	1	Compact
	2, 3, 4, 5 mm/in, L4 cable > separate enclosure

Optional specifications

No options specific to hazardous locations are available.



The following specifications reproduce an extract from the product structure and are used to assign:

- This documentation to the device (using the extended order code on the nameplate).
- The device options cited in the document.

Device type

FTI51, FTI52

Basic specifications

Position 1 (Approval)		
Selected option		Description
FTI5x	S	JPN Ex ia IIC T6...T3 Ga/Gb

Position 3 (Active Probe length L1; Insulation)		
Selected option		Description
FTI51	A, H mm/in, 10mm/0.4" rod, 316L ¹⁾
	B, D, K, N mm/in, 16mm/0.6" rod, 316L
	C, M mm/in, 22mm/0.9" rod, 316L
	E, P mm/in, 10mm/0.4" rod, 316L + ground tube ¹⁾
	F, G, R, S mm/in, 16mm/0.6" rod, 316L + ground tube
	T, 1 mm/in, 14mm/0.55" rod, 316L
FTI52	A, B, C, D mm/in, 316

- 1) Only suitable for installation in the less critical zone Gb or Db. Not suitable for zone separation.

Position 5-7 (Process Connection)		
Selected option		Description
FTI52	ACx, AEx, ANx, AQx	NPS 1/1-1/2", 316/316L ¹⁾
	AFx, AGx, AHx, AJJ, ARx, ASJ, ATJ, AUJ	NPS 2/3/4/6", 316/316L
	BOx, B1x, B2x	DN25/32/40, 316L ¹⁾
	BSx, BTx, B3x, CGJ, CHJ, CRJ, DGJ, DRJ, EGJ, ERJ	DN50/80/100, 316L
	GDJ, GEJ, GWJ	Thread ISO228 G3/4 / G1, 316L ¹⁾
	GGJ	Thread ISO228 G1-1/2, 316L
	KCx, KEx	10K 25A/40A, 316L ¹⁾
	KFx, KGx, KHx	10K 50A/80A/100A, 316L
	KRJ	20K 50A, 316L ¹⁾
	MRJ	DIN11851 DN50 PN40, 316L ¹⁾
	RDJ, REJ	Thread ANSI NPT3/4 / NPT1, 316L ¹⁾
	RGJ	Thread ANSI NPT1-1/2, 316L
	Txx	Tri-Clamp ISO2852, 316L ¹⁾
	UPJ	Universal adapter 44mm 316L ¹⁾

1) Not suitable for zone separation.

Position 8 (Electronics, Output)		
Selected option		Description
FTI5x	5	FEI55; 8/16 mA, 11-35 VDC
	7	FEI57S; 2-wire PFM
	8	FEI58; NAMUR + test button (H-L signal)

Position 9 (Housing)		
Selected option		Description
FTI5x	1	F15 316L hygiene IP66/67 NEMA4X
	2	F16 Polyester IP66/67 NEMA4X
	3	F17 Alu IP66/67 NEMA4X
	4	F13 Alu IP66 NEMA4X + gas-tight probe seal
	5	T13 Alu IP66 NEMA4X + gas-tight probe seal + separate conn. compartment
	6	F27 316L IP66/67 NEMA6P + gas-tight probe seal

Position 10 (Cable Entry)		
Selected option		Description
FTI5x	A	Gland M20
	B	Thread G1/2
	C	Thread NPT1/2
	D	Thread NPT3/4
	E	Plug M12

Position 11 (Type of probe)		
Selected option		Description
FTI5x	1	Compact
	2, 3, 4, 5 mm/in, L4 cable > separate enclosure

Optional specifications

No options specific to hazardous locations are available.

**Safety
instructions:
General**

- Devices suitable for zone separation (marked Ga/Gb or Da/Db) are always suitable for installation in the less critical zone (Gb or Db). Due to space limitations the corresponding marking maybe not indicated on the nameplate.
- The device is intended to be used in explosive atmospheres as defined in the scope of IEC 60079-0 or equivalent national standards. If no potentially explosive atmospheres are present or if additional protective measures have been taken: The device may be operated according to the manufacturer's specifications.
- Staff must meet the following conditions for mounting, electrical installation, commissioning and maintenance of the device:
 - Be suitably qualified for their role and the tasks they perform
 - Be trained in explosion protection
 - Be familiar with national regulations
- Install the device according to the manufacturer's instructions and national regulations.
- Only use the device in media to which the wetted materials have sufficient durability.
- Avoid electrostatic charging:
 - Of plastic surfaces (e.g. enclosure, sensor element, special varnishing, attached additional plates, ...)
 - Of isolated capacities (e.g. isolated metallic plates)

**Safety
instructions:
Special conditions**

- Avoid electrostatic charging of the probe (e.g. do not rub dry and install outside the filling flow).
- Do not use in areas where electrostatic charge caused by the process can occur.
- To avoid electrostatic charging: Do not rub surfaces with a dry cloth.
- In the event of additional or alternative special varnishing on the enclosure or other metal parts or for adhesive plates:
 - Observe the danger of electrostatic charging and discharge.
 - Do not install in the vicinity of processes (≤ 0.5 m) generating strong electrostatic charges.
- The sensors can be installed in the boundary wall between Zone 0 and the less hazardous area Zone 1. In this configuration, the process connection is installed in Zone 0, while the sensor enclosure is installed in Zone 1.
- Material specification of the separating element: A permanently compressed joint with PTFE or PFA bushing with a cone length of ≥ 17 mm and a thickness between 2 mm and 1.7 mm on stainless steel rod.

Basic specification, Position 8 (FMI5x), 9 (FTI5x) = 2

- Only suitable for use in Zone 1!
- Avoid electrostatic charging of the enclosure (e.g. friction, cleaning, maintenance, strong medium flow).
- Do not clean the transparent cover in an explosive atmosphere.
- Application of a plug is only suitable for gas group IIB.

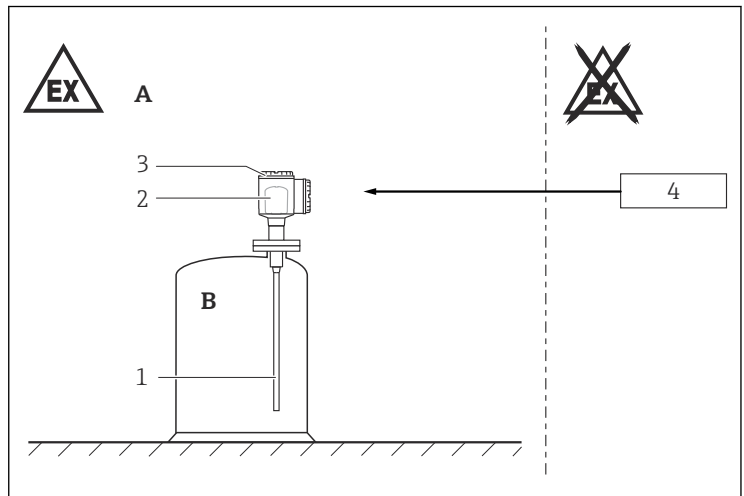
Basic specification, Position 8 (FMI5x), 9 (FTI5x) = 3, 4, 5

Avoid sparks caused by impact and friction.

Basic specification, Position 8 (FMI5x), 9 (FTI5x) = 4, 5, 6

Material specification of the separating element: > 10 mm glass feed-through, edged with > 1 mm stainless steel.

Safety instructions: Installation



A0033811

1

- A Zone 1
- B Zone 0
- 1 Rope or rod probes
- 2 Electronic insert
- 3 Enclosure
- 4 Certified associated apparatus

- Observe the maximum process conditions according to the manufacturer's Operating Instructions.
- At high medium temperatures, note flange pressure load capacity as a factor of temperature.
- Replace cable glands and sealing plugs only with identical parts.

- Perform the following to achieve the degree of protection:
 - Screw the cover tight.
 - Mount the cable entry correctly.
- Mechanically fix probes which are more than 3 m (e.g. using guy ropes).
- Level probes with ground tubes: Suitable for use in Group IIC, IIB, IIA.
- Level probes without ground tubes: Suitable for use in Group IIC, IIB, IIA, if avoiding electrostatic charging of the probe.
Designation of the device with warning sign: "Avoid electrostatic charging".

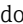

Basic specification, Position 8 (FMI5x), 9 (FTI5x) = 1

Tightening torque of the securing screw: max. 1 Nm.

Intrinsic safety

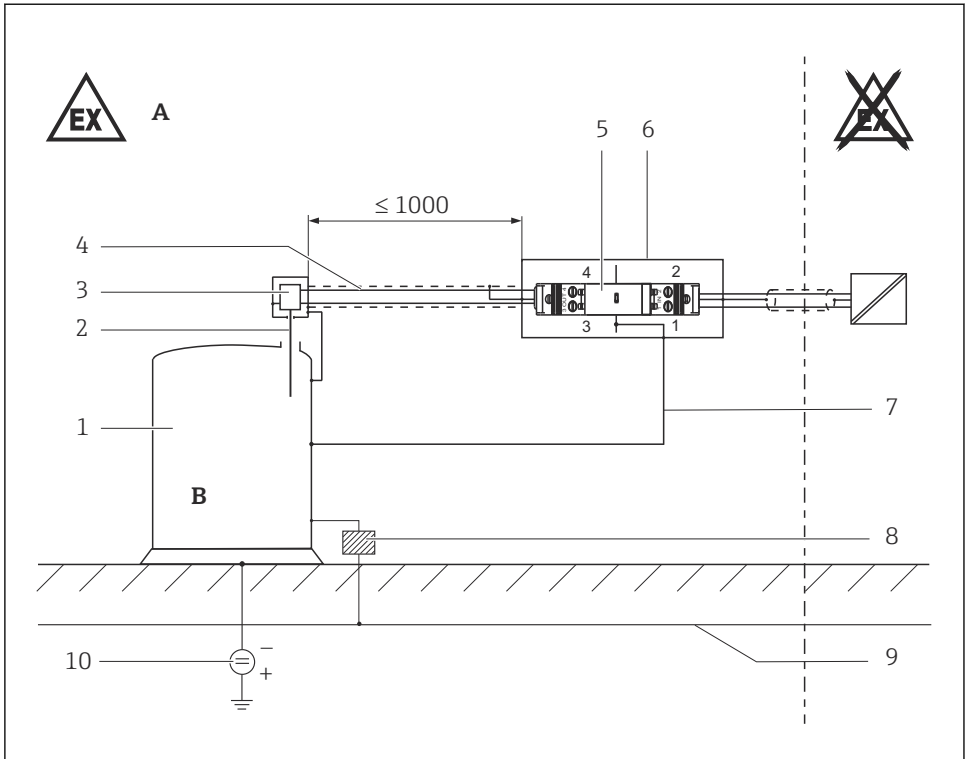
Observe the pertinent guidelines when interconnecting intrinsically safe circuits.

Potential equalization

Install potential equalization between the certified associated apparatus (non-hazardous area, ) and the device (explosion-hazardous area, )

Overvoltage protection

For installations which require overvoltage protection to comply with national regulations or standards, install the device using overvoltage protection (e.g. HAW56x from Endress+Hauser).



A0032138

2 Dimensions in mm

- A Zone 1
- B Zone 0
- 1 Tank
- 2 Probe
- 3 Electronic insert
- 4 e.g. metal hose, metal pipe
- 5 Overvoltage protection, e.g. HAW56xZ
- 6 Grounding via top-hat rail or 51003750 metallic protective enclosure
- 7 Potential equalization line $\geq 4 \text{ mm}^2 \text{ Cu}$
- 8 Insulator (optional)
- 9 Potential equalization
- 10 Cathodic protection (Object voltage $\leq 24 \text{ V}$), (optional)

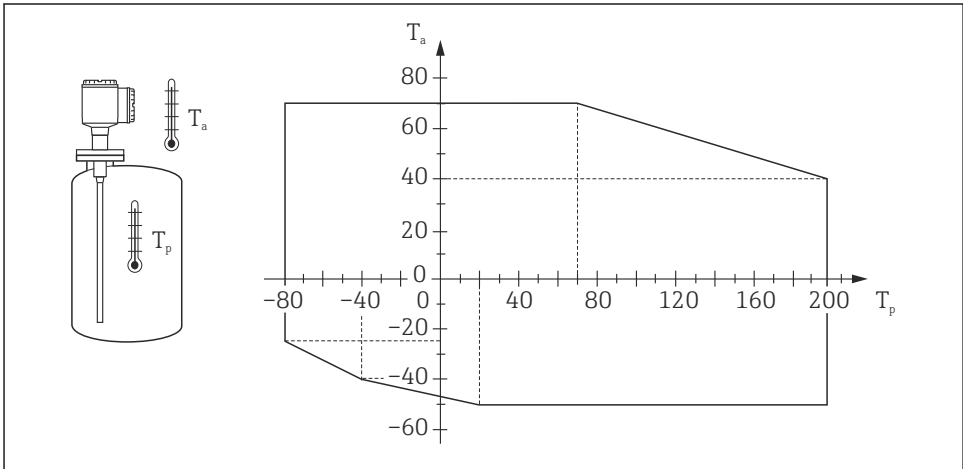
Temperature tables

Basic specification, Position 7 (FMI5x), 8 (FTI5x)	Ambient temperature T_a (ambient): electronics	Temperature class
A, B	$-50 \text{ }^\circ\text{C} \leq T_a \leq +60 \text{ }^\circ\text{C}$	T6
	$-50 \text{ }^\circ\text{C} \leq T_a \leq +70 \text{ }^\circ\text{C}$	T3...T5

Basic specification, Position 7 (FMI5x), 8 (FTI5x)	Ambient temperature T_a (ambient): electronics	Temperature class
C	$-50\text{ }^\circ\text{C} \leq T_a \leq +60\text{ }^\circ\text{C}$	T6
	$-50\text{ }^\circ\text{C} \leq T_a \leq +70\text{ }^\circ\text{C}$	T3...T5
5	$-50\text{ }^\circ\text{C} \leq T_a \leq +55\text{ }^\circ\text{C}$	T6
	$-50\text{ }^\circ\text{C} \leq T_a \leq +70\text{ }^\circ\text{C}$	T3...T5
7	$-50\text{ }^\circ\text{C} \leq T_a \leq +55\text{ }^\circ\text{C}$	T6
	$-50\text{ }^\circ\text{C} \leq T_a \leq +70\text{ }^\circ\text{C}$	T3...T5
8	$-50\text{ }^\circ\text{C} \leq T_a \leq +60\text{ }^\circ\text{C}$	T3...T6

	Ambient temperature T_a (ambient): electronics	Temperature class
Restrictions for Basic specification, Position 8 (FMI5x), 9 (FTI5x) = 2	$-40\text{ }^\circ\text{C} \leq T_a \leq +55\text{ }^\circ\text{C}$ or $+60\text{ }^\circ\text{C}$	T6
	$-40\text{ }^\circ\text{C} \leq T_a \leq +60\text{ }^\circ\text{C}$ or $+70\text{ }^\circ\text{C}$, respectively	T3...T5

Compact version

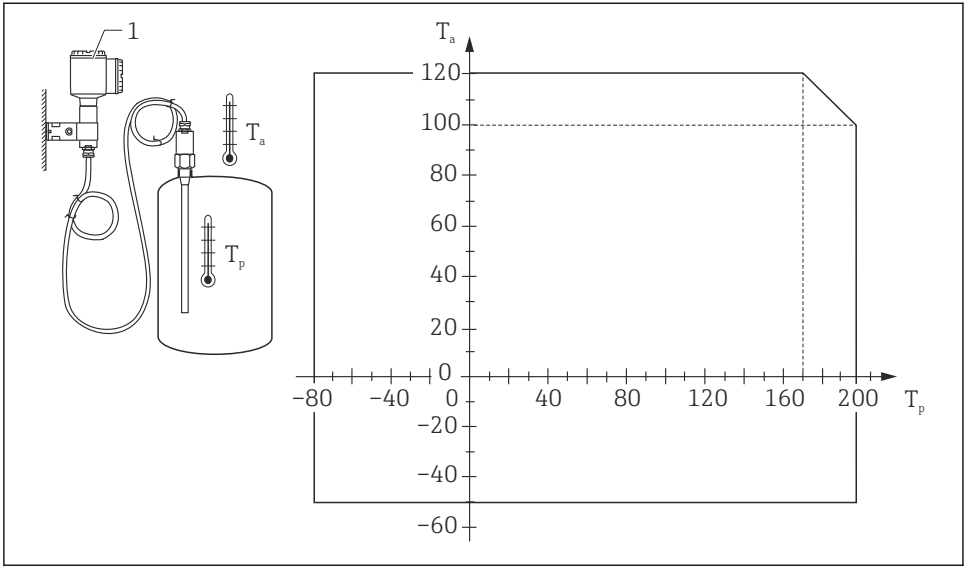


A0032139



T_a Ambient temperature in $^\circ\text{C}$
 T_p Process temperature in $^\circ\text{C}$

Version with separate enclosure



A0039507

4

T_a Ambient temperature in °C

T_p Process temperature in °C

1 Temperature at Basic specification, Position 10 (FMI5x), 11 (FTI5x) = 2, 3, 4, 5: ≤70 °C

Connection data

Basic specification, Position 7 (FMI5x), 8 (FTI5x)	Electrical data
A, B	$U_i \leq 30 \text{ V}$ $I_i \leq 120 \text{ mA}$ $P_i \leq 1 \text{ W}$ $L_i = \text{negligible}$ $C_i \leq 2.4 \text{ nF}$
C	$U_i \leq 19.2 \text{ V}$ $I_i \leq 108 \text{ mA}$ $P_i \leq 1 \text{ W}$ $L_i = \text{negligible}$ $C_i \leq 2.4 \text{ nF}$
5	$U_i \leq 35 \text{ V}$ $I_i \leq 100 \text{ mA}$ $P_i \leq 1 \text{ W}$ $L_i = \text{negligible}$ $C_i \leq 2.4 \text{ nF}$

<i>Basic specification, Position 7 (FMI5x), 8 (FTI5x)</i>	Electrical data
7	$U_i \leq 16.1 \text{ V}$ $I_i \leq 100 \text{ mA}$ $P_i \leq 1 \text{ W}$ $L_i = \text{negligible}$ $C_i \leq 2.4 \text{ nF}$
8	$U_i \leq 18 \text{ V}$ $I_i \leq 52 \text{ mA}$ $P_i \leq 170 \text{ mW}$ $L_i = \text{negligible}$ $C_i = \text{negligible}$



71611851

www.addresses.endress.com
