



Special Documentation

Weather protection cover for single compartment housing

Accessories

Intended use

The weather protection cover is designed for the following types of housing:

- Single compartment; aluminum, coated
- Single compartment; 316L stainless steel

Safety instructions

⚠ WARNING

Hazardous areas: Risk of explosion due to electrostatic charge on weather protection cover!

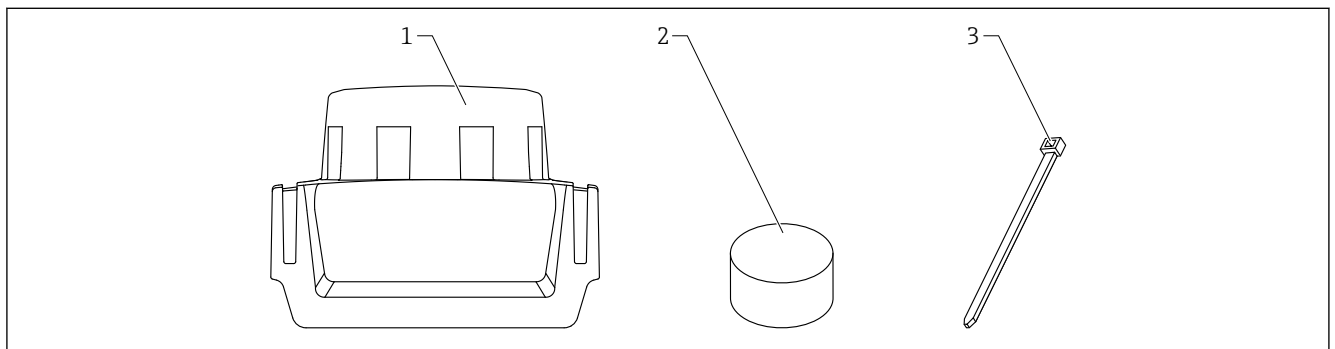
- ▶ Avoid electrostatic charge on weather protection cover!

⚠ CAUTION

Risk of injury due to mechanical damage!

- ▶ Do not step or climb on the weather protection cover!

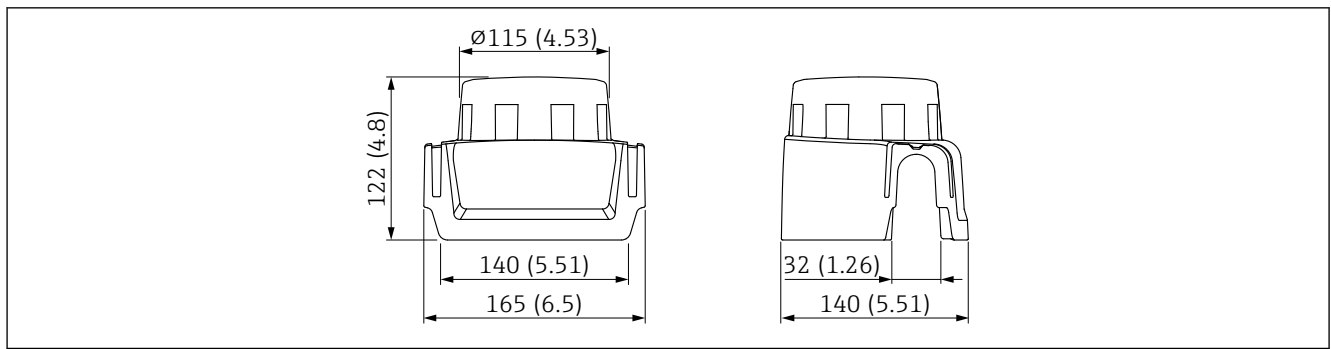
Scope of delivery



- 1 Plastic weather protection cover
- 2 Spacer for devices with a low cover
- 3 2 × cable tie

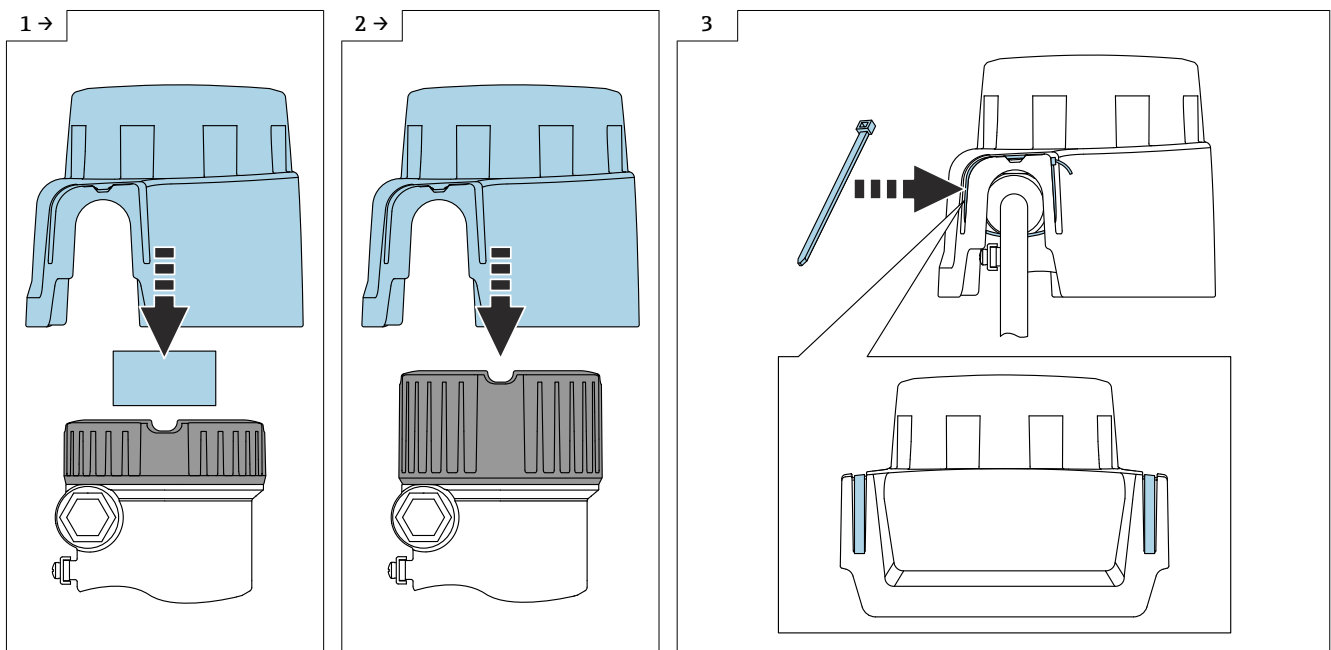
A0050484

Dimensions



A0038280

Installation



► Installation on devices with a low cover

► Installation on devices with a high cover

► Push cable ties through openings and tighten.