

Safety Instructions

Condumax CLS12, CLS13, CLS15, CLS16B, CLS21

Conductivity sensors with conductive measurement of
conductivity

ATEX II 1G Ex ia IIC T6 ... T2 Ga



Condumax CLS12, CLS13, CLS15, CLS16B, CLS21

Conductivity sensors with conductive measurement of conductivity

Table of contents

Related documentation	4
Supplemental documentation	4
Certifications	4
Identification	4
Safety instructions	5
Temperature tables	5
Installation conditions	6
Connection	6

Related documentation

The technical documentation for the device is available on the Internet:

www.endress.com

- ▶ Enter the serial number from the nameplate into the search screen (magnifying glass).



Operating Instructions for Condumax CLS12/CLS13, BA01641C



Operating instructions for Condumax CLS16B, BA02334C



Operating instructions for Condumax CLS15/CLS21/(CLS16), BA01148C

Supplemental documentation

Competence Brochure CP00021Z

- Explosion Protection: Guidelines and General Principles
- www.endress.com

Certifications

EU Declaration of Conformity EC_00317

EU type-examination certificate TÜV 15 ATEX 7778 X

Identification

The nameplate provides you with the following information on your device:

- Manufacturer identification
- Extended order code
- Serial number
- Safety information and warnings
- Ex marking on hazardous area versions

- ▶ Compare the information on the nameplate with the order.

Type code

Type	Version					
CLS12	A/B ¹⁾	** 3)	* 5)	A ⁶⁾		
CLS13	A/B ¹⁾	** 3)	* 5)	A ⁶⁾		
CLS15	A/B/L ¹⁾	** 3)	* 5)	A ⁶⁾		
CLS16B-	BA ²⁾	** 3)	** 4)	* 5)	A/B ⁶⁾	+ (optional) ⁷⁾
CLS21	C/L ¹⁾	** 3)	*	A/D ⁶⁾		

- 1) Measuring range, cell constant (not Ex-relevant), A: k = 0.01/cm, B: k = 0.1/cm, C: k = 1/cm, L: PWIS-free version of B (CLS15) or C (CLS21)
- 2) ATEX II 1G Ex ia IIC T3/T4/T6 Ga
- 3) Process connection (not Ex-relevant)
- 4) Material (not Ex-relevant)
- 5) Cable connection (not Ex-relevant)
- 6) Temperature sensor, A: Pt100, B: Pt1000
- 7) Optional features (not Ex-relevant)

Certificates and approvals

- CLS12: II 1G Ex ia IIC T6 ... T3 Ga
- CLS13: II 1G Ex ia IIC T6 ... T2 Ga
- CLS15: II 1G Ex ia IIC T6 ... T3 Ga
- CLS16B: II 1G Ex ia IIC T6 ... T3 Ga
- CLS21: II 1G Ex ia IIC T6 ... T3 Ga

Ex inspection authority

TÜV Rheinland Industrie Service GmbH


Safety instructions

- ▶ The sensors have been developed and manufactured in accordance with the applicable European standards and guidelines and are suitable for use in hazardous areas.
- ▶ The EU type-examination certificate confirms compliance with the harmonized European standards for using the sensors in hazardous areas.
- ▶ The electrical connection of the sensors must be carried out in accordance with the Operating Instructions.
- ▶ The sensors may only be operated on suitable intrinsically safe circuits. Make sure that the maximum permissible sensor input characteristic values, the maximum permissible inductance L_i and capacitance values C_i in these circuits and the ambient temperature ranges indicated are not exceeded.
- ▶ The maximum permissible cable length is limited by the maximum permissible characteristic values of the transmitter. The total of the maximum permissible inductance L_i and capacitance values C_i for the sensor and measuring cable may not exceed the maximum permissible inductance L_o and capacitance values C_o for the transmitter.
- ▶ When connected to the Liquiline M CM42 transmitter, the maximum permissible length of measuring cables CYK71 or CYK71-Ex is 50 m.
- ▶ The CLS21 sensor may only be used for measurement in liquids with a minimum conductivity > 10 nS/cm.
- ▶ Pay attention to the regulations for electrical installations in explosive atmospheres (EN 60079-14) when using the devices and sensors.
- ▶ Do not operate type CLS15 sensors with non-metallic process connections and type CLS21 sensors under process conditions in which electrostatic charging of the sensor, particularly of the electrically insulated outer electrode, is likely to occur.
- ▶ The sensor heads of types CLS12 and CLS13 have to be protectively installed against impacts and friction.
- ▶ The ambient temperature range of the sensor head is $-20\text{ °C} \leq T_a \leq 60\text{ °C}$.

Temperature tables

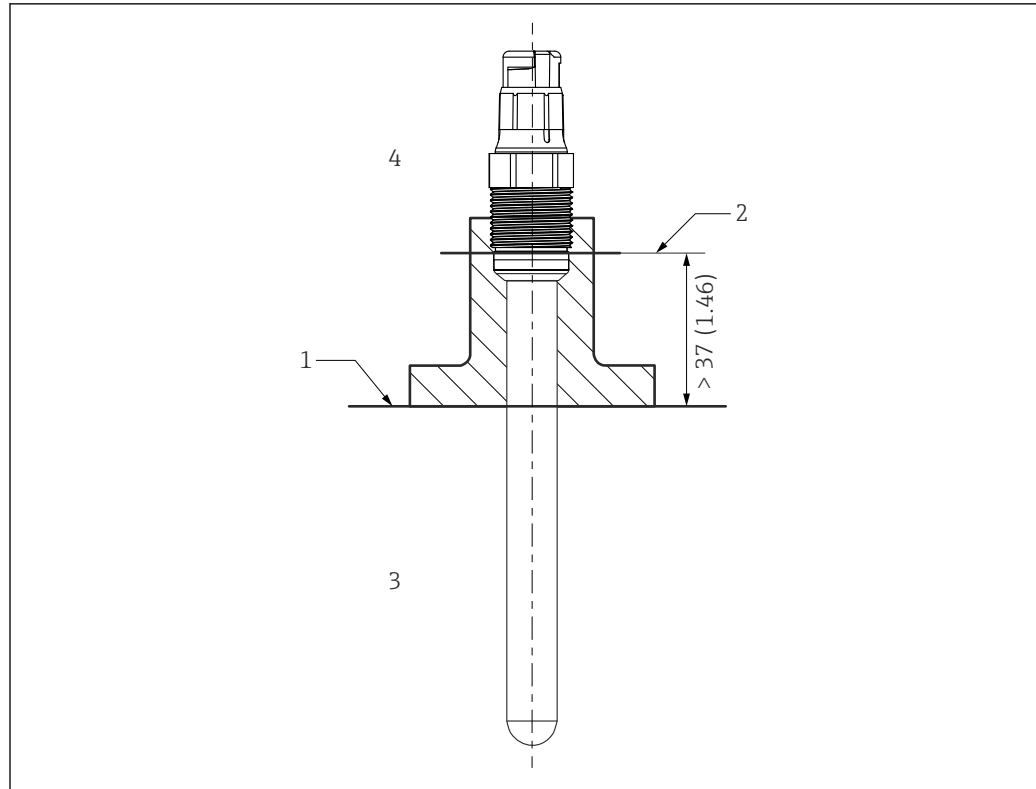
Type	Temperature class			
	T2	T3	T4	T6
CLS12	- ¹⁾	$-20\text{ °C} \leq T_a \leq 160\text{ °C}$	$-20\text{ °C} \leq T_a \leq 125\text{ °C}$	$-20\text{ °C} \leq T_a \leq 75\text{ °C}$
CLS13	$-20\text{ °C} \leq T_a \leq +250\text{ °C}$	$-20\text{ °C} \leq T_a \leq 190\text{ °C}$	$-20\text{ °C} \leq T_a \leq 125\text{ °C}$	$-20\text{ °C} \leq T_a \leq 75\text{ °C}$
CLS15	- ¹⁾	$-20\text{ °C} \leq T_a \leq 140\text{ °C}$	$-20\text{ °C} \leq T_a \leq 115\text{ °C}$	$-20\text{ °C} \leq T_a \leq 65\text{ °C}$
CLS16B	- ¹⁾	$-5\text{ °C} \leq T_a \leq 150\text{ °C}$	$-5\text{ °C} \leq T_a \leq 115\text{ °C}$	$-5\text{ °C} \leq T_a \leq 65\text{ °C}$
CLS21-****A	- ¹⁾	$-20\text{ °C} \leq T_a \leq 135\text{ °C}$	$-20\text{ °C} \leq T_a \leq 115\text{ °C}$	$-20\text{ °C} \leq T_a \leq 65\text{ °C}$
CLS21-****D	- ¹⁾	$-20\text{ °C} \leq T_a \leq 135\text{ °C}$	$-20\text{ °C} \leq T_a \leq 130\text{ °C}$	$-20\text{ °C} \leq T_a \leq 80\text{ °C}$

1) not applicable

The temperature tables apply only under the installation conditions described in the following graphic →  1. If the installation conditions cannot be met, the maximum process temperature T_p must not exceed the maximum ambient temperature T_a .

- For functional reasons, the CLS15 sensors may only be operated up to 120 °C (248 °F) during continuous operation/and up to 140 °C (284 °F) for short periods.
- For functional reasons, the CLS16 sensors may only be operated up to 120 °C (248 °F) during continuous operation/and up to 150 °C (302 °F) for short periods.

Installation conditions



A0041281

1 Installation conditions

- 1 Limit
- 2 Distance between plug-in head (lower edge) and process medium, without ring and thrust collar
- 3 Process temperature T_p
- 4 Ambient temperature T_a

Connection

Ex specification

The following connection data refer to safety-related limit values which must not be exceeded.

Associated transmitter

Characteristic	Connection data
Power supply circuit	Intrinsically safe
Maximum output voltage U_o	15 V
Maximum output current I_o	30 mA
Maximum output power P_o	130 mW

Sensor

Characteristic	Connection data
Maximum internal capacitance C_i	Negligible
Maximum internal inductance L_i	Negligible

Cables

Characteristic	Connection data
Maximum internal capacitance C_i	1 nF/m
Maximum internal inductance L_i	6 μ H/m



71639256

www.addresses.endress.com
