

Safety Instructions

Proline Cubemass 500

ATEX: II1/2G
II2D

IECEX: Zone 0/1
Zone 21



- BG - Правила за техниката на безопасност за електрически средства за производство във взривоопасни зони. Ако не разбирате езика на това ръководство има възможност да спорьчате при нас едно ръководство, преведено на езика на Вашата страна.
ЕС декларация за съответствие
Производителят Endress+Hauser декларира с това заявление за съответствие и с предявяването на сертификата CE, че този продукт отговаря на изискванията на съответните европейски директиви. Прилаганите директиви, норми и документи са указани в заявлението за съответствие.
- CS - Bezpečnostní pokyny pro elektrické přístroje v místech s nebezpečím výbuchu. Pokud nemáte možnost přečíst si tento návod, můžete si u nás objednat návod přeložený do svého jazyka.
EU prohlášení o shodě
Společnost Endress+Hauser prohlašuje prostřednictvím tohoto prohlášení a použitím značky CE, že tento výrobek vyhovuje příslušným evropským směrnícím. Zmíněné směrnice, normy a dokumenty jsou uvedeny v Prohlášení o shodě.
- DA - Sikkerhedsforskrifter for elektriske apparater certificeret til brug i eksplosionsfarlige områder. Hvis du ikke forstår denne manual, kan en oversat kopi af den på dit eget sprog bestilles fra os.
EU-overensstemmelseserklæring
Med denne overensstemmelseserklæring og tilføjelsen af CE-mærket sikrer producenten Endress+Hauser, at produktet er i overensstemmelse med relevante europæiske direktiver. Dokumentation for overensstemmelsen gives i de anførte direktiver, standarder og dokumenter.
- EL - Οδηγίες ασφαλείας ηλεκτρικών συσκευών για επικίνδυνες για έκρηξη περιοχές. Σε περίπτωση που δεν μπορείτε να διαβάσετε αυτές τις οδηγίες, τότε μπορείτε να παραγγείλετε ένα αντίτυπο μεταφρασμένο στη γλώσσα σας.
Δήλωση συμμόρφωσης ΕΕ
Με αυτή τη δήλωση πιστότητας και την τοποθέτηση του σήματος CE ο κατασκευαστής Endress+Hauser δηλώνει, ότι αυτό το προϊόν συμμορφώνεται με τις ευρωπαϊκές οδηγίες που πρέπει να εφαρμοστούν. Οι οδηγίες, τα πρότυπα και τα έγγραφα που εφαρμόστηκαν αναφέρονται στη δήλωση πιστότητας.
- ES - Instrucciones de seguridad de aparatos eléctricos homologados para su utilización en áreas expuestas a riesgos de deflagración. Si no entiende este manual, puede pedir un ejemplar en su idioma.
Declaración UE de conformidad
Por la presente declaración y la inclusión de la marca CE, el fabricante Endress+Hauser, declara que el producto cumple con las directivas europeas pertinentes. Las directivas, normas y documentos de aplicación se indican en la declaración de conformidad.
- ET - Ohutusjuhised plahvatusohtlikus keskkonnas kasutatavate elektriseadmete kohta. Kui Te ei saa käesolevast juhendist aru, võite meilt tellida Teie riigikeelde tõlgitud juhendi.
EL i vastavusdeklaratsioon
Tootja Endress+Hauser kinnitab juurdelisatud vastavusdeklaratsiooni esitamisega ja CE-märgise kandmisega tootele, et käesolev toode vastab kohaldatavale Euroopa Liidu direktiivide nõuetele. Kohaldatavad direktiivid, standardid ja dokumendid on ära toodud vastavusdeklaratsioonis.
- FI - Turvallisuusohjeita sähkölaitteille, jotka on vahvistettu käytettäväksi räjähdysvaarallisilla alueilla. Jos et ymmärrä tätä käsikirjaa, voit tilata meiltä käännöksen omalla kansallisella kielelläsi.
EU-vaatimustenmukaisuusvakuutus
Valmistaja Endress+Hauser vakuuttaa täällä vaatimustenmukaisuustodistuksella ja CE-merkin kiinnittämisellä, että tämä tuote täyttää sovellettavien EU-direktiivien määräykset. Sovellettavat direktiivit, normit ja dokumentit on merkitty vaatimustenmukaisuustodistukseen.
- HR - Sigurnosni naputci za elektromaterijal u sredini u kojoj prijete opasnost od eksplozije. Ako Vam nije moguće čitati ovaj naputak, onda imate mogućnost da kod nas naručite naputak sastavljen na Vašem materninskom jeziku.
EU izjava o sukladnosti
Dobavljajući Endress+Hauser jamči ovom izjavom i stavljanjem oznake CE da ovaj proizvod udovoljava zahtjevima europskih direktiva koje su na snazi. U izjavi o usuglašenosti se navode direktive, norme i dokumenti koji su na snazi.
- HU - Biztonsági információk robbanásveszélyes területre való elektromos eszközökhöz. Amennyiben nem tudja elolvasni ezt az útmutatót, akkor megrendelheti az Ön anyanyelvére lefordítva is.
EU-megfelelőségi nyilatkozat
Az Endress+Hauser mint gyártó jelen megfeleléségi nyilatkozattal és a CE-jelzés felhelyezésével kijelenti, hogy ez a termék megfelel az alkalmazandó európai irányelveknek. Az alkalmazott irányelvek, szabványok és dokumentumok a megfeleléségi nyilatkozatban fel vannak tüntetve.

- IT - Istruzioni di sicurezza per apparecchiature elettriche certificate per l'utilizzo in aree con pericolo di esplosione. Se il presente manuale non risulta comprensibile potete ordinarne una copia tradotta nella vostra lingua.
Dichiarazione di conformità UE
 Con questa dichiarazione e con l'applicazione del marchio CE, il costruttore Endress+Hauser, assicura che il prodotto è conforme alle direttive europee vigenti. Prova della conformità è fornita dall'osservanza delle direttive, delle norme e dei documenti elencati.
- LT - Elektros įrenginio saugumo nurodymai, susiję su sprogimo zonomis. Jeigu negalite perskaityti šios instrukcijos, kreipkitės į mus, kad užsisakytumėte į jūsų gimtąją kalbą išverstą instrukciją.
ES atitikties deklaracija
 Gamintojas Endress+Hauser šia atitikties deklaracija ir CE ženkliniu patvirtina, kad gaminys atitinka taikytinas ES direktyvas. Taikomos direktyvos, normos ir dokumentai yra pateikiami atitikties deklaracijoje.
- LV - Drošības norādījumi elektrisko darba instrumentu lietošanai apgabalos, kas pakļauti sprādzienbīstamībai. Ja Jums nav iespēju izlasīt šos norādījumus, Jūs varat pasūtīt pie mums tulkojumus Jūsu valsts valodā.
ES atbilstības deklarācija
 Ražotājs Endress+Hauser ar šo atbilstības apliecinājumu un CE zīmola lietojumu apstiprina, ka produkts izgatavots saskaņā ar atbilstošajām Eiropas vadlīnijām. Piemērotās vadlīnijas, normas un dokumenti atrunāti atbilstības apliecinājumā.
- NL - Veiligheidsinstructies voor elektrisch materieel in explosiegevaarlijke omgeving. Wanneer u deze handleiding niet kunt lezen, kunt u een in uw landstaal vertaalde handleiding bij ons bestellen.
EU-conformiteitsverklaring
 De leverancier Endress+Hauser waarborgt met deze verklaring en het aanbrengen van het CE-teken, dat dit product overeenstemt met de geldende Europese richtlijnen. De geldende richtlijnen, normen en documenten zijn aangegeven in de conformiteitsverklaring.
- PL - Wskazówki dot. bezpieczeństwa dla urządzeń elektrycznych stosowanych w obszarze zagrożonym wybuchem. Jeśli niniejsza instrukcja napisana jest w języku, którym się nie posługujesz, możesz zamówić u nas przetłumaczony dokument.
Deklaracja zgodności UE
 Producent Endress+Hauser w niniejszej deklaracji zgodności wraz z nadaniem znaku CE oświadcza, że produkt ten jest zgodny z obowiązującą Europejską Dyrektywą. Zastosowane wytyczne, normy oraz dokumenty podane są w deklaracji zgodności.
- PT - Instruções de segurança para dispositivos eléctricos certificados para utilização em áreas de risco de incêndio. Se não compreender este manual, pode encomendar-nos directamente uma cópia na sua língua.
Declaração UE de conformidade
 Com esta declaração de conformidade e a aplicação da marca CE, o fabricante Endress+Hauser, garante que o produto obedece às directivas europeias a aplicar. As directivas, normas e documentos são apresentadas na declaração de conformidade.
- RO - Indicații de siguranță pentru mijloacele de producție electrice pentru zonele periclitare de explozie. Dacă nu puteți citi aceste instrucțiuni, atunci puteți comanda la noi instrucțiunile traduse în limba țării dumneavoastră.
Declarația UE de conformitate
 Producătorul Endress+Hauser declară prin declarația de conformitate alăturată și prin aplicarea semnelui CE că acest produs corespunde directivelor europene aplicabile. Directivele, normele aplicate și documentele sunt menționate în declarația de conformitate.
- SK - Bezpečnostné pokyny pre elektrické zariadenie prevádzkované v priestoroch s nebezpečenstvom výbuchu. Ak nemáte možnosť 'prečítať' si tento návod, môžete si u nás objednať 'návod preložený do svojho jazyka'.
EÚ vyhlásenie o zhode
 Spoločnosť Endress+Hauser vyhlasuje prostredníctvom tohto vyhlásenia o konformite a použitím značky CE, že tento výrobok vyhovuje príslušným európskym smerniciam. Zmieňované smernice, normy a dokumenty sú uvedené vo Vyhlásení o konformite.
- SL - Varnostni napotki glede električne opreme, namenjene za uporabo veksplodivnih območjih. Če teh navodil ne morete razumeti, lahko pri nas naročite prevod v vaš jezik.
Izjava EU o skladnosti
 Proizvajalec Endress+Hauser s to izjavo o skladnosti in navedbo oznake CE izjavlja, da je ta izdelek skladen s predpisanimi evropskimi smernicami. Upoštewane smernice, standardi in dokumenti so navedeni v izjavi o skladnosti.
- SV - Säkerhetsföreskrifter för elektrisk utrustning certifierad för användning i explosionsfarliga områden. Om du inte förstår denna manual, kan en översatt kopia på ditt eget språk beställas från oss.
EU-försäkran om överensstämmelse
 Endress+Hauser försäkras med vidstående försäkran om överensstämmelse och med CE-märkningen att denna produkt överensstämmer med de tillämpbara europeiska riktlinjerna. De tillämpade riktlinjerna, normerna och dokumenten anges i försäkran om överensstämmelse.

Proline Cubemass 500

Table of contents

About this document	6
Associated documentation	6
Certificates and declarations	6
Manufacturer address	7
Extended order code	7
Safety instructions: General	11
Safety instructions: Installation	12
Safety instructions: Zone 0	15
Safety instructions: Zone 21	15
Temperature tables	15
Explosion hazards arising from gas and dust	22
Connection values: Signal circuits	24

About this document



The document number of these Safety Instructions (XA) must match the information on the nameplate.

Associated documentation

For an overview of the scope of the associated Technical Documentation, refer to the following:

- *Device Viewer* (www.endress.com/deviceviewer): Enter serial number from nameplate.
- *Endress+Hauser Operations app*: Enter serial number from nameplate or scan matrix code on nameplate.

To commission the device, please observe the Operating Instructions pertaining to the device:

Measuring device	Documentation code			
	HART	FOUNDATION Fieldbus	PROFIBUS PA	PROFIBUS DP
Cubemass C 500	BA01527 D	BA01560D	BA01549D	BA01871D

Measuring device	Documentation code		
	Modbus RS485	EtherNet/IP	PROFINET
Cubemass C 500	BA01538D	BA01748D	BA01759D

Additional documentation

Contents	Document type	Documentation code
Explosion Protection	Brochure	CP00021Z/11
Ethernet-APL Installation Drawing	Installation Drawing	HE_01622

Please note the documentation associated with the device.

Certificates and declarations

EU Declaration of conformity

Documentation code: EC_00407

EU type-examination certificate

Certificate number:

SIRA 16ATEX22 19X

IEC Certificate of Conformity

Certificate number:

IECEX CSA 16.0034X

Affixing the certificate number certifies conformity with the standards under www.IECEx.com (depending on the device version).

- IEC 60079-0: 2017
- IEC 60079-1: 2014
- IEC 60079-7: 2017
- IEC 60079-11: 2011
- IEC 60079-15: 2017
- IEC 60079-26: 2014
- IEC 60079-31: 2013
- IEC TS 60079-47: 2021

Manufacturer address

Endress+Hauser Flowtec AG
Kägenstrasse 7
4153 Reinach BL
Switzerland

Extended order code

The extended order code is indicated on the nameplate, which is affixed to the device in such a way that it is clearly visible. Additional information about the nameplate is provided in the associated Operating Instructions.

Structure of the extended order code

*****	-	***** ... *****	+	A*B*C*D*E*F*G*...
<i>(Device type)</i>		<i>(Basic specifications)</i>		<i>(Optional specifications)</i>

* = Placeholder
At this position, an option (number or letter) selected from the specification is displayed instead of the placeholders.

Device type

The device and the device design is defined in the "Device type" section (Product root).

Basic specifications

The features that are absolutely essential for the device (mandatory features) are specified in the basic specifications. The number of positions depends on the number of features available.

The selected option of a feature can consist of several positions.

Optional specifications

The optional specifications describe additional features for the device (optional features). The number of positions depends on the number of

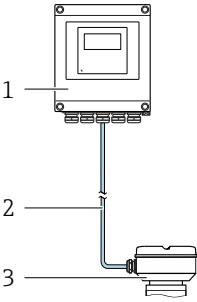
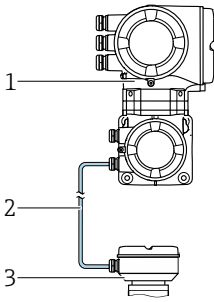
features available. The features have a 2-digit structure to aid identification (e.g. JA). The first digit (ID) stands for the feature group and consists of a number or a letter (e.g. J = Test, Certificate). The second digit constitutes the value that stands for the feature within the group (e.g. A = 3.1 material (wetted parts), inspection certificate).

More detailed information about the device is provided in the following tables. These tables describe the individual positions and IDs in the extended order code which are relevant to hazardous locations.

Device type

Position	Order code for	Option selected	Description
1	Instrument family	8	Coriolis flowmeter
2	Sensor	C ¹⁾	Sensor type
3	Transmitter	5	Transmitter type: 4-wire, remote version
4	Generation index	B	Platform generation
5, 6	Nominal diameter	Examples: 02, 04, 40, 50, 1H, 3E ^{2) 3)}	Nominal diameter of sensor

- 1) For replacement transmitter only: X
- 2) For the exact specification of the nominal diameter, see nameplate
- 3) For replacement transmitter only: XX

Proline 500 – digital	Proline 500
Order code for "Integrated ISEM Electronic", option A "Sensor"	Order code for "Integrated ISEM Electronic", option B "Transmitter"
	
<ul style="list-style-type: none"> 1 Transmitter 2 Connecting cable 3 Sensor connection housing with integrated ISEM 	<ul style="list-style-type: none"> 1 Transmitter with integrated ISEM 2 Connecting cable 3 Sensor connection housing

Basic specifications

Position 1, 2 Order code for "Approval" Option selected	Position 10 Order code for "Integrated ISEM electronics" Option selected	Type of protection	
		Transmitter	Sensor
BB	B	Ex db eb ia ia Ga IIC T6...T5 Gb Ex tb ia Da IIIC T85°C Db	Ex ia IIC T6...T1 Ga/Gb Ex ia tb IIIC T** °C Db
BD	B	Ex db ia ia Ga IIC T6...T5 Gb Ex tb ia Da IIIC T85°C Db	Ex ia IIC T6...T1 Ga/Gb Ex ia tb IIIC T** °C Db
BJ	A	Ex ia IIC Ex ia IIIC	Ex ia IIC T6...T1 Ga/Gb Ex ia tb IIIC T** °C Db
BN	A	Ex ec nC ia Ga IIC T5...T4 Gc ¹⁾ Ex ia Da IIIC	Ex ia IIC T6...T1 Ga/Gb Ex ia tb IIIC T** °C Db

1) The marking changes with order code "Output; input 1", option HA, MC, RC or TA: Ex ec nC |ic| IIC T5...T4 Gc

Position	Order code for	Option selected	Description
4, 5	Output, input 1	BA	4-20mA HART
		CA	4-20mA Ex-i passive
		CC	4-20mA HART Ex-i active
		GA	PROFIBUS PA
		HA	PROFIBUS PA Ex-i
		LA	PROFIBUS DP
		MA	Modbus RS485
		MB	Modbus TCP with Ethernet-APL
		MC	Modbus TCP with Ethernet-APL Ex i
		NA	EtherNet/IP 2-port switch integrated
		RA	PROFINET IO 2-port switch integrated
		RB	PROFINET with Ethernet-APL
		RC	PROFINET with Ethernet-APL Ex i
		SA	FOUNDATION Fieldbus
TA	FOUNDATION Fieldbus Ex-i		
6	Output, input 2	A	W/o
		B	4-20mA
		C	4-20mA Ex-i passive
		D	Configurable I/O initial setting off

Position	Order code for	Option selected	Description
		E	Pulse/frequency/switch output
		F	Pulse output, phase-shifted
		G	Pulse/frequency/switch output Ex-i passive
		H	Relay
		I	4-20mA input
		J	Status input
7	Output, input 3	A	W/o
		B	4-20mA
		C	4-20mA Ex-i passive
		D	Configurable I/O initial setting off
		E	Pulse/frequency/switch output
		F	Pulse output, phase-shifted
		G	Pulse/frequency/switch output Ex-i passive
		H	Relay
		I	4-20mA input
		J	Status input
8	Output; input 4 ¹⁾	A	W/o
		B	4-20mA
		C	4-20mA Ex-i passive
		D	Configurable I/O initial setting off
		E	Pulse/frequency/switch output
		G	Pulse/frequency/switch output Ex-i passive
		H	Relay
		I	4-20mA input
		J	Status input
9	Display; Operation	F	4-line, illuminated; touch control
		G	4-line, illuminated; touch control + WLAN
10	Integrated ISEM Electronic	A	Sensor
		B	Transmitter
11	Transmitter Housing	A	Alu, coated
		D	Polycarbonate
		L	Cast, stainless
12	Sensor junction Housing	A	Alu, coated

Position	Order code for	Option selected	Description
		B	Stainless
		C	Ultra compact hygienic, stainless
		L	Cast, stainless
21, 22	Device Model	A1	1
		A2	2

1) The order code "Output; input 4" is only available for the Proline 500 – digital transmitter.

Optional specifications

ID	Order code for	Option selected	Description
Jx	Test, certificate	JP	Ambient temperature measuring device –50 °C
Px	Enclosed accessories	P8	Wireless antenna, wide area (external WLAN antenna) ¹⁾

1) The external WLAN antenna is available with the order code for "Accessory Enclosed", option P8.

Safety instructions: General

- Staff must meet the following conditions for mounting, electrical installation, commissioning and maintenance of the device:
 - Be suitably qualified for their role and the tasks they perform
 - Be trained in explosion protection
 - Be familiar with national regulations or guidelines (e.g. IEC/EN 60079-14)
- Install the device according to the manufacturer's instructions and national regulations.
- Do not operate the device outside the specified electrical, thermal and mechanical parameters.
- Only use the device in media to which the wetted materials have sufficient durability.
- Refer to the temperature tables for the relationship between the permitted ambient temperature for the sensor and/or transmitter, depending on the range of application, and the temperature classes.
- Alterations to the device can affect the explosion protection and must be carried out by staff authorized to perform such work by Endress+Hauser.
- When using in hybrid mixtures (gas and dust occurring simultaneously), observe additional measures for explosion protection.

- Open the housing cover of the transmitter housing in explosion protection Ex db only if one of the following conditions is met:
 - An explosive atmosphere is not present.
 - A waiting time of 10 minutes is observed after switching off the power supply.
The following warning notice is on the device:
WARNING – AFTER DE-ENERGIZING, DELAY 10 MINUTES
BEFORE OPENING ENCLOSURE IN TYPE OF PROTECTION EX D
- In devices with damaged Ex d threads:
 - Use in hazardous areas is not permitted.
 - Repair of Ex d threads is not permitted.
- Observe all the technical data of the device (see nameplate).
- Avoid electrostatic charge (e.g. caused by friction, cleaning, maintenance, strong currents in the medium):
On the attached stainless steel nameplate and on painted metallic housings that are not integrated into the local potential equalization system.

Safety instructions: Installation

- Continuous service temperature of the connecting cable: -40 to +80 °C (-50 to +80 °C for optional specification, ID Jx (Test, certificate) = JP); but at least according to the operating temperature range of the application plus allowance for process conditions ($T_{a, \min}$ and $T_{a, \max} + 20$ K).
- Only use certified cable glands suitable for the application. Observe selection criteria as per IEC/EN 60079-14.
- The following applies when connecting the transmitter with a connection compartment in Ex db:
Only use separately certified cables and wire entries (Ex db IIC) which are suitable for operating temperatures up to 85 °C and for IP 66/67. If using conduit entries, the associated sealing mechanisms must be mounted directly on the housing.
Plastic sealing plugs act as transport protection and have to be replaced by suitable, individually approved installation material. The mounted metal thread extensions and blind plugs are tested and certified as part of the housing for type of protection Ex db IIC. The thread extension or the blind plug labeled as follows for identification purposes:
 - Md: M20 x 1.5
 - d: NPT ½"
 - Gd: G ½"

- The following applies when connecting the transmitter with a connection compartment in Ex eb:
Only use separately certified cable and wire entries and sealing plugs (Ex eb IIC) which are suitable for operating temperatures up to 85 °C and for IP 66/67. The cables must be routed such that they are securely seated, and sufficient strain relief must be ensured. The mounted metal thread extensions and blind plugs supplied are tested and certified as part of the housing for type of protection Ex eb IIC. Plastic sealing plugs act as transport protection and have to be replaced by suitable, individually approved installation material. Supplied cable glands are separately certified and marked as components and meet device specification requirements.
- When the measuring device is connected, attention must be paid to the type of protection at the transmitter.
- In potentially explosive atmospheres:
 - Do not disconnect the electrical connection of the power supply circuit when energized.
 - Do not open the connection compartment cover when the device is energized.
Exception for the Ex eb connection compartment with intrinsically safe inputs and outputs: opening of the connection compartment is permitted for short period to perform live maintenance of intrinsically safe circuits. Internal non-intrinsically safe circuits are protected by an additional IP30 cover.
- For measuring devices with order code "Approval", option BJ the transmitter housing (plastic) is allowed to be installed at most in a Pollution Degree 2 environment.
- Basic specification, order code for "Sensor connection housing", option B:
To protect the housing of stainless steel housings: Ensure that the housing gasket is flat and not bent when closing the housing cover. Replace bent gaskets.
- When connecting through a conduit entry approved for this purpose, mount the associated sealing unit directly at the enclosure.
- Seal unused entry glands with approved sealing plugs that correspond to the type of protection. The plastic transport sealing plug does not meet this requirement and must therefore be replaced during installation.
- Only use certified sealing plugs. The metal sealing plugs supplied meet this requirement.
- Transmitters with Ex db eb approval must not be connected via the service interface (CDI-RJ45)! Order code "Approval; Transmitter + Sensor", options (Ex de): BB

Optional external WLAN antenna

- The external WLAN antenna can be used only in conjunction with an Ex eb or Ex ec connection compartment.
Order code for "Integrated ISEM Electronic", option B:
Use with an Ex db connection compartment is not permitted.
- Connect the antenna bushing H337 to the transmitter housing and tighten by hand.
- Use only external antennas supplied by Endress+Hauser.
- Connect antenna or antenna cable with plug-in connector type N (MIL-STD-348) to antenna bushing H337.

Optional RFID TAG

- In the case of high electromagnetic field intensities in accordance with IEC/EN 60079-14: Use is not permitted.
- Avoid electrostatic charging.
- Ensure sufficient distance from processes generating high charges.

Intrinsic safety

- Observe the guidelines for interconnecting intrinsically safe circuits (e.g. IEC/EN 60079-14 , proof of intrinsic safety).
- When the intrinsically safe Ex ia circuits of the device are connected to certified intrinsically safe circuits of Category Ex ib for Equipment Groups IIC or IIB, the type of protection changes to Ex ib IIC or Ex ib IIB.
- Proline 500 - digital (Order code for "Integrated ISEM electronics", option A)
The connecting cables between the transmitter and sensor must meet the following requirements:
 - Group IIC: $L/R \leq 0.0089 \text{ mH}/\Omega$ or $L_{\text{cable}} \leq 26 \mu\text{H}$ and $C_{\text{cable}} \leq 760 \text{ nF}$
 - Group IIB: $L/R \leq 0.0356 \text{ mH}/\Omega$ or $L_{\text{cable}} \leq 104 \mu\text{H}$ and $C_{\text{cable}} \leq 4.2 \mu\text{F}$
- Proline 500 (Order code for "Integrated ISEM electronics", option B)
Connecting cables with a maximum length of 120 m must meet the following requirements:
 - Core/shield capacitance: maximum 0.5 pF/m
(Inductance: maximum 0.5 $\mu\text{H}/\text{m}$)
 - The connecting cables supplied meet this requirement.

Potential equalization

- Integrate the device into the potential equalization .
- If the ground connection has been established via the pipe as specified, it is also possible to integrate the sensor into the potential equalization system via the pipe.
- The antenna bushing H337 of the external antenna must be integrated into the potential equalization system. This is the case if the sensor is connected in accordance with the regulations via the coupling.

Safety instructions: Zone 0

For sensors with EPL Ga/Gb the zone 0 is permitted in the measuring tube.

Safety instructions: Zone 21

- To ensure dust-tightness, securely seal all housing openings, cable entries and sealing plugs.
- Only open all housing briefly, ensuring that no dust or moisture enters the housing.
- Cable routing shall be arranged so that the cables are not exposed to friction effects and static buildup due to the passage of dust. Precautions shall be taken to prevent the build-up of static on surfaces of cables.

Temperature tables

NOTICE

In case of heating, risk of overheating.

- ▶ On devices with Heating jacket the corresponding temperature tables for isolated sensor, are to be observed.
- ▶ Make sure that the heating medium, may not exceeded the maximum specified medium temperature of the exact used temperature classes of the device.

Ambient temperature

Minimum ambient temperature

- $T_{a, \min} = -40 \text{ °C}$ depending on the device version selected (see nameplate)
- *Optional specification, ID Jx (Test, Certificate) = JP*
 $T_{a, \min} = -50 \text{ °C}$ depending on the selected device variant (see nameplate)

Maximum ambient temperature

$T_{a, \max} = +60 \text{ °C}$ depending on the medium temperature and temperature class.

Proline 500 – digital transmitter

Non-hazardous area, Zone 2

Transmitter housing material	$T_{a, \max}$ [°C]			
	Non-hazardous area	T6 [85 °C]	T5 [100 °C]	T4 [135 °C]
Aluminum	60	-	45	60
Polycarbonate	60	-	-	-

Proline 500 transmitter

Zone 1, Zone 21

$T_{a, \max}$ [°C]	
T6 [85 °C]	T5 [100 °C]
55	60

Medium temperature

Minimum medium temperature

$$T_{m, \min} = -50 \text{ °C}$$

Maximum medium temperature

- $T_{m, \max}$ for T6...T1 depending on the maximum ambient temperature $T_{a, \max}$.
- () = The maximum permitted medium temperatures in brackets only apply if the sensor is installed in such a way that the connection housing is not mounted above the sensor and free convection can occur on all sides.

Proline 500 – digital

Order code for "Integrated ISEM electronics", option A "Sensor"

Maximum medium temperature without thermal insulation according to Endress+Hauser specifications

Cubemass C

DN	T _{m, max range} [°C]	T _{a, max} [°C]	T _{m, max} [°C]					
			T6 [85 °C]	T5 [100 °C]	T4 [135 °C]	T3 [200 °C]	T2 [300 °C]	T1 [450 °C]
1 to 6	205	35	40	75	130	150	205	205
		50	–	75	130	150	205	205
		55	–	–	130	150	205	205
		60	–	–	130	150	160	160

Maximum medium temperature with thermal insulation according to Endress+Hauser specifications



For information on the thermal insulation of the device, see the "Thermal insulation" section of the "Operating instructions" document .

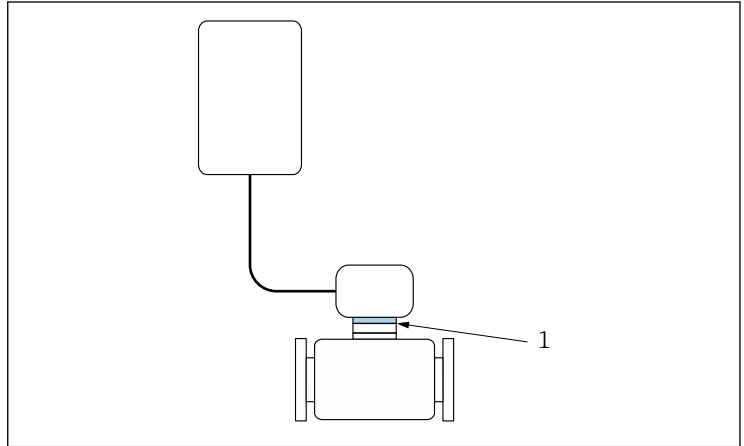
Cubemass C

DN	T _{m, max range} [°C]	T _{a, max} [°C]	T _{m, max} [°C]					
			T6 [85 °C]	T5 [100 °C]	T4 [135 °C]	T3 [200 °C]	T2 [300 °C]	T1 [450 °C]
1 to 6	205	35	40	90	100	150	150	150
		40	-	90	100	150	150	150
		45	-	-	100	150	150	150
		50	-	-	100	120	120	120


With thermal insulation without Endress+Hauser specifications

The specified reference temperature T_{ref} and the maximum medium temperature $T_{m, max}$ for each temperature class must not be exceeded.

→  18



A0031668

 1 Position of reference point for temperature measurement

1 Reference point (T_{ref})

Reference temperature T_{ref}

T6 [85 °C]	T5 [100 °C]	T4 [135 °C]	T3 [200 °C]	T2 [300 °C]	T1 [450 °C]
45	64	82	82	85	85

Proline 500

Order code for "Integrated ISEM electronics", option B "Transmitter"

Maximum medium temperature without thermal insulation according to Endress+Hauser specifications

Cubemass C

DN	T _{m, max range} [°C]	T _{a, max} [°C]	T _{m, max} [°C]					
			T6 [85 °C]	T5 [100 °C]	T4 [135 °C]	T3 [200 °C]	T2 [300 °C]	T1 [450 °C]
1 to 6	205	50	50	95	130	150	205	205
		60	-	95	130	150	205	205

Maximum medium temperature with thermal insulation according to Endress+Hauser specifications



For information on the thermal insulation of the device, see the "Thermal insulation" section of the "Operating instructions" document .

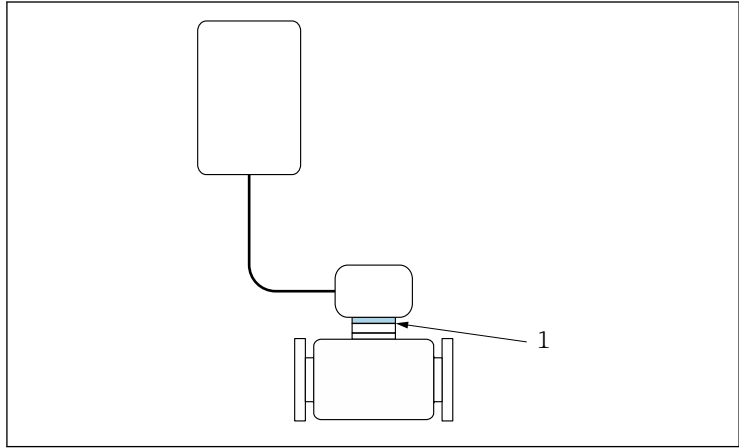
Cubemass C

DN	T _{m, max range} [°C]	T _{a, max} [°C]	T _{m, max} [°C]					
			T6 [85 °C]	T5 [100 °C]	T4 [135 °C]	T3 [200 °C]	T2 [300 °C]	T1 [450 °C]
1 to 6	205	50	60	95	130	150	(180)	(180)
		60	-	95	130	150	150	150


With thermal insulation without Endress+Hauser specifications

The specified reference temperature T_{ref} and the maximum medium temperature $T_{m, max}$ for each temperature class must not be exceeded.

→  21



A0031668

 2 Position of reference point for temperature measurement

1 Reference point (T_{ref})

Reference temperature T_{ref}

T6 [85 °C]	T5 [100 °C]	T4 [135 °C]	T3 [200 °C]	T2 [300 °C]	T1 [450 °C]
63	72	84	91	91	91

Explosion hazards arising from gas and dust

Determining the temperature class and surface temperature with the temperature table

- In the case of gas: Determine the temperature class as a function of the maximum ambient temperature $T_{a, max}$ and the maximum medium temperature $T_{m, max}$.
- In the case of dust: Determine the maximum surface temperature as a function of the maximum ambient temperature $T_{a, max}$ and the maximum medium temperature $T_{m, max}$.

Example

- Measured maximum ambient temperature: $T_{a, max} = 47\text{ °C}$
- Measured maximum medium temperature: $T_{m, max} = 108\text{ °C}$

	Ta [°C]	T6 [85°C]	T5 [100°C]	T4 [135°C]	T3 [200°C]	T2 [300°C]	T1 [450°C]
	35	50	85	120	140	140	140
	50	-	85	120	140	140	140
	60	-	-	120	140	140	140
	35	50	85	120	140	140	140
	45	-	85	120	140	140	140
	50	-	-	120	140	140	140

Diagram annotations: 1. points to the 50 in the last row, Ta column. 2. points to the 50 in the first row, Ta column. 3. points to the 120 in the last row, T4 column. 4. points to the 135°C in the T4 header.

A0031223

3 Procedure for determining the temperature class and surface temperature

1. Select device (optional).
2. In the column for the maximum ambient temperature $T_{a, \max}$ select the temperature that is immediately greater than or equal to the maximum ambient temperature $T_{a, \max}$ that is present.
 - ↳ $T_{a, \max} = 50^\circ\text{C}$.
The row showing the maximum medium temperature is determined.
3. Select the maximum medium temperature $T_{m, \max}$ of this row, which is immediately greater than or equal to the maximum medium temperature $T_{m, \max}$ that is present.
 - ↳ The column with the temperature class for gas is determined:
 $108^\circ\text{C} \leq 120^\circ\text{C} \rightarrow T_4$.
4. The maximum temperature of the temperature class determined corresponds to the maximum surface temperature for dust: $T_4 = 135^\circ\text{C}$.

Connection values: Signal circuits

The following tables contain specifications which are dependent on the transmitter type and its input and output assignment. Compare the following specifications with those on the nameplate of the transmitter.

Terminal assignment

Transmitter: supply voltage, input/outputs

HART

Supply voltage		Input/output 1		Input/output 2		Input/output 3		Input/output 4	
1 (+)	2 (-)	26 (+)	27 (-)	24 (+)	25 (-)	22 (+)	23 (-)	20 (+)	21 (-)
Device-specific terminal assignment: adhesive label in terminal cover.									

FOUNDATION Fieldbus

Supply voltage		Input/output 1		Input/output 2		Input/output 3		Input/output 4	
1 (+)	2 (-)	26 (A)	27 (B)	24 (+)	25 (-)	22 (+)	23 (-)	20 (+)	21 (-)
Device-specific terminal assignment: adhesive label in terminal cover.									

PROFIBUS DP

Supply voltage		Input/output 1		Input/output 2		Input/output 3		Input/output 4	
1 (+)	2 (-)	26 (B)	27 (A)	24 (+)	25 (-)	22 (+)	23 (-)	20 (+)	21 (-)
Device-specific terminal assignment: adhesive label in terminal cover.									

PROFIBUS PA

Supply voltage		Input/output 1		Input/output 2		Input/output 3		Input/output 4	
1 (+)	2 (-)	26 (B)	27 (A)	24 (+)	25 (-)	22 (+)	23 (-)	20 (+)	21 (-)
Device-specific terminal assignment: adhesive label in terminal cover.									

Modbus RS485

Supply voltage		Input/output 1		Input/output 2		Input/output 3		Input/output 4	
1 (+)	2 (-)	26 (B)	27 (A)	24 (+)	25 (-)	22 (+)	23 (-)	20 (+)	21 (-)
Device-specific terminal assignment: adhesive label in terminal cover.									

Modbus TCP with Ethernet-APL

Supply voltage		Input/output 1		Input/output 2		Input/output 3		Input/output 4	
1 (+)	2 (-)	26 (B)	27 (A)	24 (+)	25 (-)	22 (+)	23 (-)	20 (+)	21 (-)
Device-specific terminal assignment: adhesive label in terminal cover.									

EtherNet/IP

Supply voltage		Input/output 1		Input/output 2		Input/output 3		Input/output 4	
1 (+)	2 (-)	EtherNet/IP (RJ45 connector)		24 (+)	25 (-)	22 (+)	23 (-)	20 (+)	21 (-)
Device-specific terminal assignment: adhesive label in terminal cover.									

PROFINET

Supply voltage		Input/output 1		Input/output 2		Input/output 3		Input/output 4	
1 (+)	2 (-)	PROFINET (RJ45 connector)		24 (+)	25 (-)	22 (+)	23 (-)	20 (+)	21 (-)
Device-specific terminal assignment: adhesive label in terminal cover.									

PROFINET with Ethernet-APL

Supply voltage		Input/output 1		Input/output 2		Input/output 3		Input/output 4	
1 (+)	2 (-)	26 (+)	27 (-)	24 (+)	25 (-)	22 (+)	23 (-)	20 (+)	21 (-)
Device-specific terminal assignment: adhesive label in terminal cover.									

Safety-related values

Order code "Output; input 1"	Output type	Safety-related values "Output; input 1"	
		26 (+)	27 (-)
Option BA	Current output 4 to 20 mA HART	$U_N = 30 V_{DC}$ $U_M = 250 V_{AC}$	
Option GA	PROFIBUS PA	$U_N = 32 V_{DC}$ $U_M = 250 V_{AC}$	
Option LA	PROFIBUS DP	$U_N = 32 V_{DC}$ $U_M = 250 V_{AC}$	
Option MA	Modbus RS485	$U_N = 30 V_{DC}$ $U_M = 250 V_{AC}$	

Order code "Output; input 1"	Output type	Safety-related values "Output; input 1"	
		26 (+)	27 (-)
Option MB	Modbus TCP with Ethernet-APL	APL port profile SLAX SPE PoDL classes 10, 11, 12 $U_N = 30 V_{DC}$ $U_M = 250 V_{AC}$	
Option SA	FOUNDATION Fieldbus	$U_N = 32 V_{DC}$ $U_M = 250 V_{AC}$	
Option NA	EtherNet/IP	$U_N = 30 V_{DC}$ $U_M = 250 V_{AC}$	
Option RA	PROFINET	$U_N = 30 V_{DC}$ $U_M = 250 V_{AC}$	
Option RB	PROFINET with Ethernet-APL	APL port profile SLAX SPE PoDL classes 10, 11, 12 $U_N = 30 V_{DC}$ $U_M = 250 V_{AC}$	

Order code "Output; input 2"; "Output; input 3"; "Output; input 4"	Output type	Safety-related values					
		Output; input 2		Output; input 3		Output; input 4 ¹⁾	
		24 (+)	25 (-)	22 (+)	23 (-)	20 (+)	21 (-)
Option B	Current output 4 to 20 mA	$U_N = 30 V_{DC}$ $U_M = 250 V_{AC}$					
Option D	User-configurable input/output	$U_N = 30 V_{DC}$ $U_M = 250 V_{AC}$					
Option E	Pulse/frequency/switch output	$U_N = 30 V_{DC}$ $U_M = 250 V_{AC}$					
Option F	Double pulse output	$U_N = 30 V_{DC}$ $U_M = 250 V_{AC}$					
Option H	Relay output	$U_N = 30 V_{DC}$ $I_N = 100 mA_{DC}/500 mA_{AC}$ $U_M = 250 V_{AC}$					
Option I	Current input 4 to 20 mA	$U_N = 30 V_{DC}$ $U_M = 250 V_{AC}$					
Option J	Status input	$U_N = 30 V_{DC}$ $U_M = 250 V_{AC}$					

- 1) The order code "Output; input 4" is only available for the Proline 500 – digital transmitter.

Intrinsically safe values

Order code for "Output; input 1"	Output type	Intrinsically safe values "Output; input 1"	
		26 (+)	27 (-)
Option CA	Current output 4-20mA HART Ex-i passive	$U_i = 30 \text{ V}$ $I_i = 100 \text{ mA}$ $P_i = 1.25 \text{ W}$ $L_i = 0 \text{ } \mu\text{H}$ $C_i = 6 \text{ nF}$	
Option CC	Current output 4-20mA HART Ex-i active	Ex ia ¹⁾ $U_0 = 21.8 \text{ V}$ $I_0 = 90 \text{ mA}$ $P_0 = 491 \text{ mW}$ $L_0 = 4.1 \text{ mH(IIC)}/$ 15 mH(IIB) $C_0 = 160 \text{ nF(IIC)}/$ 1160 nF(IIB) $U_i = 30 \text{ V}$ $I_i = 10 \text{ mA}$ $P_i = 0.3 \text{ W}$ $L_i = 5 \text{ } \mu\text{H}$ $C_i = 6 \text{ nF}$	Ex ic ²⁾ $U_0 = 21.8 \text{ V}$ $I_0 = 90 \text{ mA}$ $P_i = 491 \text{ mW}$ $L_0 = 9 \text{ mH(IIC)}/$ 39 mH(IIB) $C_0 = 600 \text{ nF(IIC)}/$ 4000 nF(IIB)
Option HA	PROFIBUS PA Ex i (STANDARD + FISCO)	Ex ia ¹⁾ $U_i = 30 \text{ V}$ $I_i = 570 \text{ mA}$ $P_i = 8.5 \text{ W}$ $L_i = 10 \text{ } \mu\text{H}$ $C_i = 5 \text{ nF}$	Ex ic ²⁾ $U_i = 32 \text{ V}$ $I_i = 570 \text{ mA}$ $P_i = 8.5 \text{ W}$ $L_i = 10 \text{ } \mu\text{H}$ $C_i = 5 \text{ nF}$

Order code for "Output; input 1"	Output type	Intrinsically safe values "Output; input 1"	
		26 (+)	27 (-)
Option MC	Modbus TCP with Ethernet-APL Ex i	2-WISE power load, APL port profile SLAA³⁾ Ex ia $U_i = 17,5 \text{ V}$ $I_i = 380 \text{ mA}$ $P_i = 5,32 \text{ W}$ $L_i = 10 \mu\text{H}$ $C_i = 5 \text{ nF}$ Cable specifications according to 2-WISE: $R_c = 15 \text{ to } 150 \Omega/\text{km}$ $L_c = 0.4 \text{ to } 1 \text{ mH}/\text{km}$ $C_c = 45 \text{ to } 200 \text{ nF}/\text{km}$ $C_c = C_c \text{ line}/\text{line} + 0,5 C_c \text{ line}/\text{screen}$, if both lines are floating, or $C_c = C_c \text{ line}/\text{line} + C_c \text{ line}/\text{screen}$, if the screen is connected to one line Length of cable (not including cable stubs) $\leq 200 \text{ m}$ (656.2) Length of cable stubs: $\leq 1 \text{ m}$ (3.3 ft)	
Option RC	PROFINET with Ethernet-APL Ex i		
Option TA	FOUNDATION Fieldbus Ex i (STANDARD + FISCO)	Ex ia¹⁾ $U_i = 30 \text{ V}$ $I_i = 570 \text{ mA}$ $P_i = 8,5 \text{ W}$ $L_i = 10 \mu\text{H}$ $C_i = 5 \text{ nF}$	Ex ic²⁾ $U_i = 32 \text{ V}$ $I_i = 570 \text{ mA}$ $P_i = 8,5 \text{ W}$ $L_i = 10 \mu\text{H}$ $C_i = 5 \text{ nF}$

- 1) Only for the order code for "Approval", option BB, BD
- 2) Only for the order code for "Approval", option BN
- 3) For further options see Ethernet-APL Installation Drawing HE_01622.

Order code "Output; input 2"; "Output; input 3"; "Output; input 4"	Output type	Intrinsically safe values					
		Output; input 2		Output; input 3		Output; input 4 ¹⁾	
		24 (+)	25 (-)	22 (+)	23 (-)	20 (+)	21 (-)
Option C	Current output 4 to 20 mA Ex i passive	$U_i = 30 \text{ V}$ $I_i = 100 \text{ mA}$ $P_i = 1.25 \text{ W}$ $L_i = 0$ $C_i = 0$					
Option G	Pulse/frequency/switch output Ex-i passive	$U_i = 30 \text{ V}$ $I_i = 100 \text{ mA}$ $P_i = 1.25 \text{ W}$ $L_i = 0$ $C_i = 0$					

- 1) The order code "Output; input 4" is only available for the Proline 500 – digital transmitter.



71649736

www.addresses.endress.com
