

# Technical Information

## Compact thermometer

### TMR31, TMR35

For general (TMR31) or hygienic applications (TMR35), with Pt100, class A sensor and 4-wire connection

Optionally with integrated 4 to 20 mA transmitter, PC programmable



#### Applications

- Designed for universal use in general or hygienic applications in the Food & Beverages and Life Sciences industries. Preferred installation locations include compact vessels and pipes - anywhere a compact thermometer design with short immersion lengths and reliable measurement offers additional advantages.
- Measuring range: -50 to +150 °C (-58 to +302 °F), with extension neck up to 200 °C (392 °F)
- Pressure range: up to 100 bar (1 450 psi)
- Protection class: IP69K
- Output
  - Without electronics: Pt100 (4-wire connection)
  - With electronics: 4 to 20 mA

#### Your benefits

Quick installation and easy commissioning:

- Small, compact design, made entirely of stainless steel
- M12 connection with IP69K protection for easy electrical connection
- Pt100, 4-wire connection or PC-programmable transmitter with 4 to 20 mA output
- Can also be ordered with preconfigured measuring range
- Variable installed lengths from 40 to 600 mm (1.57 to 23.6 in)

Outstanding measurement properties thanks to innovative sensor technology:

- Extremely short response times
- Very accurate even with short immersion lengths
- Thinfilm sensor element Pt100, accuracy class A (IEC 60751)

Safe operation with certificates and approvals:

- Device safety according to EN 61010-1
- Electromagnetic compatibility as per NAMUR NE21
- Failure information in the event of sensor break or sensor short circuit, configurable according to NAMUR NE43
- TMR35: hygiene-compliant design with 3-A mark, EHEDG certification, ASME BPE conformity, FDA, EC 1935/2004, EN 2023/2006, TSE/ADI
- Marine approval according to DNV GL









## Table of contents

<b>Document information</b> . . . . .	<b>3</b>	<b>Mechanical construction</b> . . . . .	<b>13</b>
Symbols . . . . .	3	Design, dimensions . . . . .	13
<b>Function and system design</b> . . . . .	<b>3</b>	esign, dimensions . . . . .	15
Measuring principle . . . . .	3	Weight . . . . .	16
Measuring system . . . . .	3	Material . . . . .	16
Equipment architecture . . . . .	4	Surface roughness . . . . .	16
<b>Input</b> . . . . .	<b>4</b>	Process connections for hygienic applications . . . . .	16
Measuring range . . . . .	4	Thermowell design, dimensions . . . . .	20
<b>Output</b> . . . . .	<b>5</b>	<b>Human interface</b> . . . . .	<b>20</b>
Output signal . . . . .	5	Local operation . . . . .	20
Signal on alarm . . . . .	5	Local display . . . . .	21
Load . . . . .	5	Remote operation . . . . .	21
Linearization/transmission behavior . . . . .	5	<b>Certificates and approvals</b> . . . . .	<b>21</b>
<b>Power supply</b> . . . . .	<b>5</b>	CE mark . . . . .	21
Supply voltage . . . . .	5	EAC mark . . . . .	21
Power supply failure . . . . .	5	Hygiene standard . . . . .	21
Electrical connection . . . . .	5	Materials in contact with food/product (FCM) . . . . .	21
Input current required . . . . .	6	Marine approval . . . . .	21
Maximum current consumption . . . . .	6	Other standards and guidelines . . . . .	21
Switch-on delay . . . . .	6	Material certification . . . . .	21
Overvoltage protection . . . . .	6	Calibration . . . . .	21
<b>Performance characteristics</b> . . . . .	<b>6</b>	UL approval . . . . .	21
Reference operating conditions . . . . .	6	<b>Ordering information</b> . . . . .	<b>22</b>
Maximum measured error . . . . .	7	<b>Accessories</b> . . . . .	<b>22</b>
Long-term drift . . . . .	7	Device-specific accessories . . . . .	22
Operating influences . . . . .	7	Communication-specific accessories . . . . .	25
Sensor response time . . . . .	7	Service-specific accessories . . . . .	26
Electronics response time . . . . .	7	System components . . . . .	26
Sensor current . . . . .	7	<b>Documentation</b> . . . . .	<b>27</b>
Calibration . . . . .	8		
<b>Installation</b> . . . . .	<b>8</b>		
Orientation . . . . .	8		
Installation instructions . . . . .	8		
<b>Environment</b> . . . . .	<b>11</b>		
Ambient temperature range . . . . .	11		
Storage temperature . . . . .	11		
Operating altitude . . . . .	11		
Climate class . . . . .	11		
Degree of protection . . . . .	11		
Shock and vibration resistance . . . . .	11		
Electromagnetic compatibility (EMC) . . . . .	11		
Electrical safety . . . . .	11		
<b>Process</b> . . . . .	<b>11</b>		
Process temperature range . . . . .	11		
Process pressure range . . . . .	12		
Medium - state of aggregation . . . . .	13		




## Document information

### Symbols

#### Symbols for certain types of information

Symbol	Meaning
	<b>Permitted</b> Procedures, processes or actions that are permitted.
	<b>Preferred</b> Procedures, processes or actions that are preferred.
	<b>Forbidden</b> Procedures, processes or actions that are forbidden.
	<b>Tip</b> Indicates additional information.
	Reference to documentation
	Reference to page
	Reference to graphic
	Visual inspection

#### Symbols in graphics

Symbol	Meaning	Symbol	Meaning
1, 2, 3,...	Item numbers		Series of steps
A, B, C, ...	Views	A-A, B-B, C-C, ...	Sections
	Hazardous area		Safe area (non-hazardous area)

## Function and system design

### Measuring principle

#### Resistance thermometer (RTD):

This insert uses a Pt100 according to IEC 60751 as the temperature sensor. The temperature sensor is a temperature-sensitive platinum resistor with a resistance of 100  $\Omega$  at 0 °C (32 °F) and a temperature coefficient  $\alpha = 0.003851 \text{ } ^\circ\text{C}^{-1}$ .

#### Thin film resistance sensors (TF):


A very thin, ultrapure platinum layer, approx. 1  $\mu\text{m}$  thick, is vaporized in a vacuum on a ceramic substrate and then structured photolithographically. The platinum conductor paths formed in this way create the measuring resistance. Additional covering and passivation layers are applied and reliably protect the thin platinum layer from contamination and oxidation, even at high temperatures. The primary advantages of thin film temperature sensors are their smaller sizes and better vibration resistance.

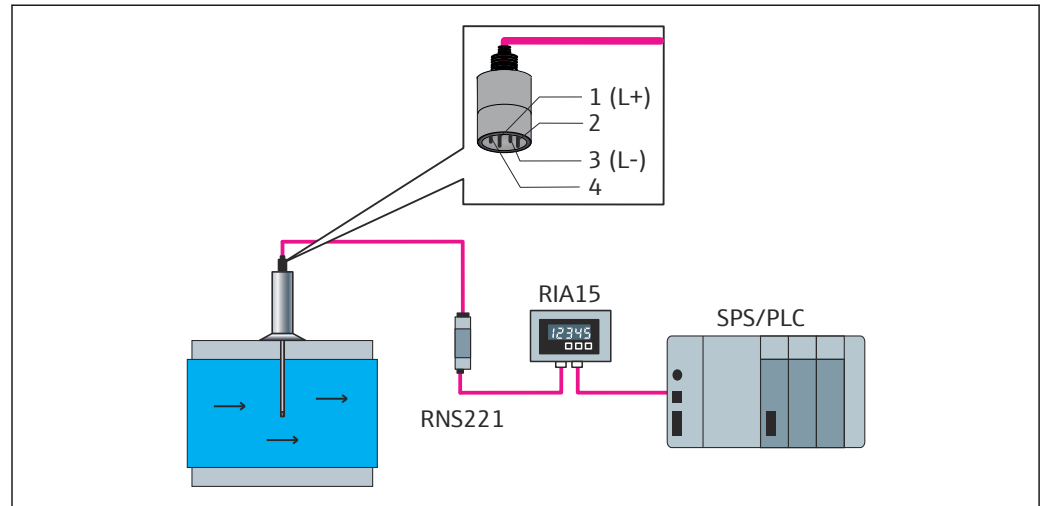
### Measuring system


The compact thermometer measures the process temperature with a Pt100 sensor element (class A, 4-wire). An optional built-in transmitter converts the Pt100 input signal to an 4 to 20 mA output signal.

A broad portfolio of optimized components for the temperature measuring point is available to ensure seamless integration of the measuring point:

- Power supply unit/barrier
- Display units
- Overvoltage protection


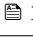

 For more detailed information, see the brochure "System Products and Data Managers - Solutions for the loop (FA00016K/EN)."



 1 M12 connection with 4 to 20 mA analog output

A0045087

### Equipment architecture

Design	Options	
	1: Electrical connection, output signal	 <b>Your benefits:</b> <ul style="list-style-type: none"> <li>■ M12, 4-pin connector, reduced cost and effort, incorrect wiring is prevented</li> <li>■ Optimum protection, IP69K as standard</li> <li>■ Compact, integrated transmitter (4 to 20 mA)</li> </ul>
	2: Transmitter housing	
	3: Extension neck	Optionally available if process temperature is too high for the electronics
	4: Process connection →  16	Over 25 different versions for industrial and hygienic applications.
	5: Thermowell	<ul style="list-style-type: none"> <li>■ Versions with and without thermowell (insert in direct contact with process)</li> <li>■ Thermowell diameter 6 mm (0.25 in)</li> </ul>
	6: Insert with Pt100 (TF):	 <b>Your benefits:</b> <ul style="list-style-type: none"> <li>■ Minimization of necessary immersion length: better product protection thanks to improved process flow</li> <li>■ Excellent cost-performance ratio</li> <li>■ Insert: Ø3 mm (1/8 in) or Ø6 mm (1/4 in)</li> </ul>

A0044946

## Input

**Measuring range** Pt100 (TF) according to IEC 60751

Without extension neck	-50 to +150 °C (-58 to +302 °F)
With extension neck	-50 to +200 °C (-58 to +392 °F)

Min. span = 10 K (18 °F)

## Output

Output signal	Sensor output	Pt100, 4-wire connection, class A
	Analog output	4 to 20 mA; variable measuring range

**Signal on alarm** The signal on alarm is generated if the measuring information is missing or not valid. In the 4 to 20 mA mode, the device transmits the failure information according to NAMUR NE43:

Underranging	Linear drop from 4.0 to 3.8 mA
Overranging	Linear increase from 20.0 to 20.5 mA
Failure e.g. sensor defective	<p>≤ 3.6 mA (<b>low</b>) or ≥ 21 mA (<b>high</b>) can be selected</p> <p>The <b>high</b> alarm setting can be set between 21.5 mA and 23 mA, thus providing the flexibility needed to meet the requirements of various control systems.</p>

**Load**

$R_{b \max} = (U_b \max. - 10 \text{ V}) / 0.023 \text{ A}$  (current output)

A0048582

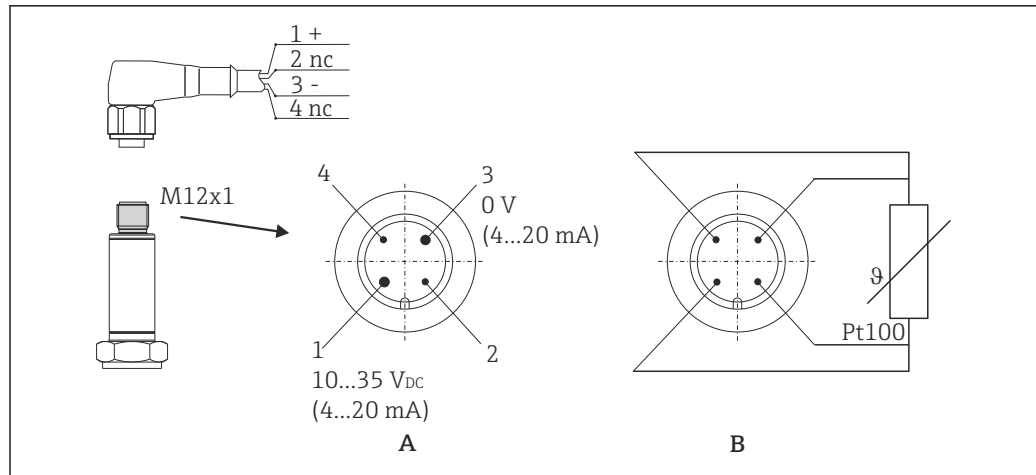
**Linearization/transmission behavior** Temperature - linear

## Power supply

Supply voltage	$U_b$	10 to 35 V <sub>DC</sub>
----------------	-------	--------------------------

- Power supply failure**
- To meet electrical safety according to CAN/CSA-C22.2 No. 61010-1 or UL 61010-1, the device may only be powered by a power supply unit with a limited energy electric circuit in accordance with UL/EN/IEC 61010-1 chapter 9.4 or Class 2 according to UL 1310, "SELV or Class 2 circuit".
  - Behavior in the event of overvoltage (> 30 V)  
The device works continuously up to 35 V<sub>DC</sub> without any damage. If the supply voltage is exceeded, the specified characteristics are no longer guaranteed.
  - Behavior in the event of undervoltage  
If the supply voltage falls below the minimum value ~ 7 V, the device switches off in a defined manner (status as if not supplied with power).

**Electrical connection** According to the 3-A Sanitary Standard and the EHEDG, electrical connecting cables must be smooth, corrosion-resistant and easy to clean.



A0020176

2 Pin assignment, device plug

A Version with transmitter, M12 plug, 4-pin

B Version without transmitter, Pt100, 4-wire connection

1: Pin 1	Power supply 10 to 35 V <sub>DC</sub> Current output 4 to 20 Cable connection, wire color brown = BN
2: Pin 2	Connection of PC configuration cable - shortened pin Cable connection, wire color white = WH
3: Pin 3	Power supply 0 V <sub>DC</sub> Current output 4 to 20 Cable connection, wire color blue = BU
4: Pin 4	Connection of PC configuration cable - shortened pin Cable connection, wire color black = BK

**Input current required** ≤ 3.5 mA for 4 to 20 mA

**Maximum current consumption** ≤ 23 mA for 4 to 20 mA

**Switch-on delay** 2 s

**Overvoltage protection** To protect against overvoltage in the power supply and signal/communication cables for the thermometer electronics, the manufacturer offers the HAW562 surge arrester for DIN rail mounting.

 For more detailed information, see Technical Information HAW562 surge arrester (TI01012K).

## Performance characteristics

<b>Reference operating conditions</b>	<b>Adjustment temperature (ice bath)</b>	0 °C (32 °F) for sensor
	<b>Ambient temperature range</b>	25 °C ± 3 °C (77 °F ± 5 °F) for electronics
	<b>Supply voltage</b>	24 V <sub>DC</sub> ± 10 %
	<b>Relative humidity</b>	< 95 %

**Maximum measured error**

According to DIN EN 60770 and the reference conditions specified above. The measured error data correspond to  $\pm 2 \sigma$  (Gaussian distribution). The data include non-linearities and repeatability.

 |T| = Numerical value of the temperature in °C without regard to algebraic sign.

*Thermometer without electronics*

Standard	Designation	Measuring range	Measured error ME ( $\pm$ )	
			Maximum <sup>1)</sup>	Based on measured value <sup>2)</sup>
IEC 60751	Pt100 Cl. A	-50 to +200 °C (-58 to +392 °F)	0.55 K (0.99 °F)	ME = $\pm$ (0.15 K (0.27 °F) + 0.002 *  T )

- 1) Maximum measured error for the specified measuring range.
- 2) Deviations from maximum measured error possible due to rounding.

*Thermometer with electronics*

Standard	Designation	Measuring range	Measured error ( $\pm$ ) <sup>1)</sup>
IEC 60751	Pt100 Cl. A	-50 to +200 °C (-58 to +392 °F)	0.1 K (0.18 °F) or 0.08 %

- 1) Percentage refers to the set span. The larger value is valid.

*Total measured error of thermometer (sensor + electronics)*

Standard	Designation	Measuring range	Measured error ME ( $\pm$ ) <sup>1)</sup>
IEC 60751	Pt100 Cl. A	<ul style="list-style-type: none"> <li>▪ -50 to +150 °C (-58 to +302 °F) without extension neck</li> <li>▪ -50 to +200 °C (-58 to +392 °F) with extension neck</li> </ul>	ME = $\pm$ (0.25 K (0.48 °F) + 0.002 *  T )

- 1) Deviations from maximum measured error possible due to rounding.

**Long-term drift**

Electronics:  
 $\leq 0.1 \text{ K (0.18 °F)/year}$  or  $0.05 \text{ %/year}$

Data under reference operating conditions. % refers to the set span. The larger value is valid.

**Operating influences**

*The measured error data correspond to  $\pm 2 \sigma$  (Gaussian distribution).*

Ambient temperature	$T = \pm(15 \text{ ppm/K} * (\text{full scale value} + 200) + 50 \text{ ppm/K} * \text{set measuring range}) * \text{DT}$ DT = deviation of ambient temperature from the reference operating conditions
Supply voltage	$\leq \pm 0.01\%/V$ deviation from 24 V <sup>1)</sup>
Load	$\pm 0.02\%/100 \Omega$ <sup>1)</sup>

- 1) Specifications in percent refer to the full scale value of the measuring range

**Sensor response time**

Tests in water at 0.4 m/s (1.3 ft/s) according to IEC 60751; temperature changes in increments of 10 K. Response times measured for the version without electronics.

$t_{50}$	$t_{90}$
< 1 s	< 2 s

**Electronics response time**

Max. 1 s

 When recording step responses, it is important to bear in mind that the response times of the sensor might be added to the specified times.

**Sensor current**

$\leq 0.6 \text{ mA}$

**Calibration****Calibration of thermometers**

Calibration involves comparing the measured values of a device under test (DUT) with those of a more precise calibration standard using a defined and reproducible measurement method. The aim is to determine the deviation of the DUT's measured values from the true value of the measured variable. Two different methods are used for thermometers:

- Calibration at fixed-point temperatures, e.g. at the freezing point of water at 0 °C
- Calibration compared against a precise reference thermometer

The thermometer to be calibrated must display the fixed point temperature or the temperature of the reference thermometer as accurately as possible. Temperature-controlled calibration baths with very homogeneous thermal values, or special calibration furnaces into which the DUT and the reference thermometer, where necessary, can project to a sufficient degree, are typically used for thermometer calibrations.

**Sensor-transmitter-matching**

The resistance/temperature curve of platinum resistance thermometers is standardized but in practice it is rarely possible to keep to the values precisely over the entire operating temperature range. For this reason, platinum resistance sensors are divided into tolerance classes, such as class A, AA or B as per IEC 60751. These tolerance classes describe the maximum permissible deviation of the specific sensor characteristic curve from the standard curve, i.e. the maximum temperature-dependent characteristic error that is permitted. The conversion of measured sensor resistance values at temperatures in temperature transmitters or other meter electronics is often susceptible to considerable errors as the conversion is generally based on the standard characteristic curve.

When temperature transmitters are used, this conversion error can be reduced significantly by sensor-transmitter-matching:

- Calibration at least at three temperatures and determination of the actual temperature sensor characteristic curve
- Adjustment of the sensor-specific polynomial function using appropriate Calendar-van-Dusen (CvD) coefficients
- Configuration of the temperature transmitter with the sensor-specific CvD coefficients for resistance/temperature conversion, and
- another calibration of the reconfigured temperature transmitter with the connected resistance thermometer

The manufacturer offers this sensor-transmitter-matching as a separate service. Furthermore, the sensor-specific polynomial coefficients of platinum resistance thermometers are indicated on every calibration protocol where possible, e.g. at least three calibration points.

For the device, the manufacturer offers standard calibrations at a reference temperature of -50 to +200 °C (-58 to +392 °F) based on the ITS90 (International Temperature Scale). Calibrations in other temperature ranges are available from your local sales center on request. Calibrations are traceable to national and international standards. The calibration certificate is referenced to the serial number of the device.

**Installation****Orientation**

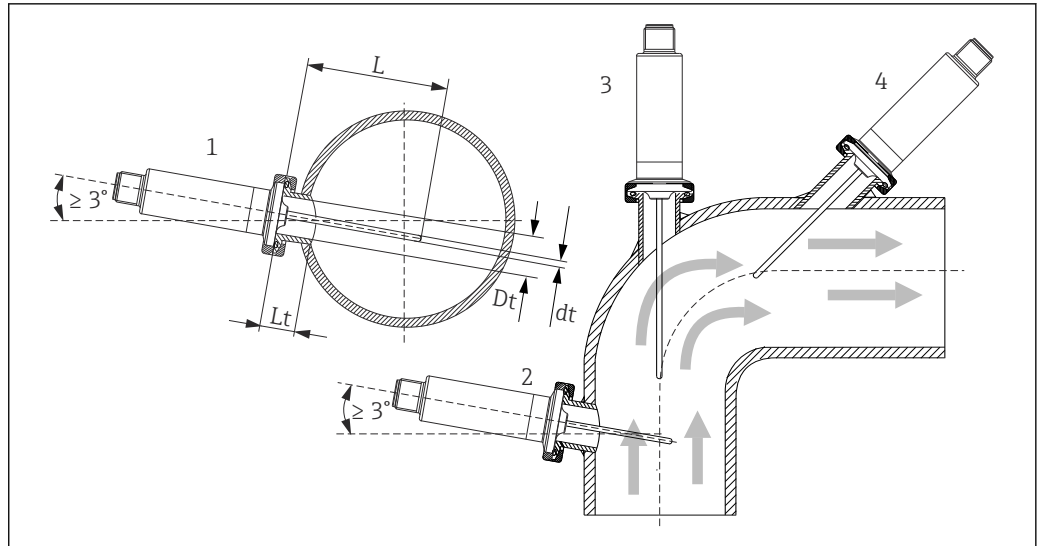
No restrictions. However, self-draining in the process must be guaranteed. If there is an opening to detect leaks at the process connection, this opening must be at the lowest possible point.

**Installation instructions**

The immersion length of the compact thermometer can considerably influence the accuracy. If the immersion length is too short, measurement errors can occur as a result of heat conduction via the process connection and the vessel wall. Therefore, if installing in a pipe, the immersion length should ideally correspond to half of the pipe diameter.

Installation possibilities: pipes, tanks or other plant components.





A0012591

**3** Installation examples

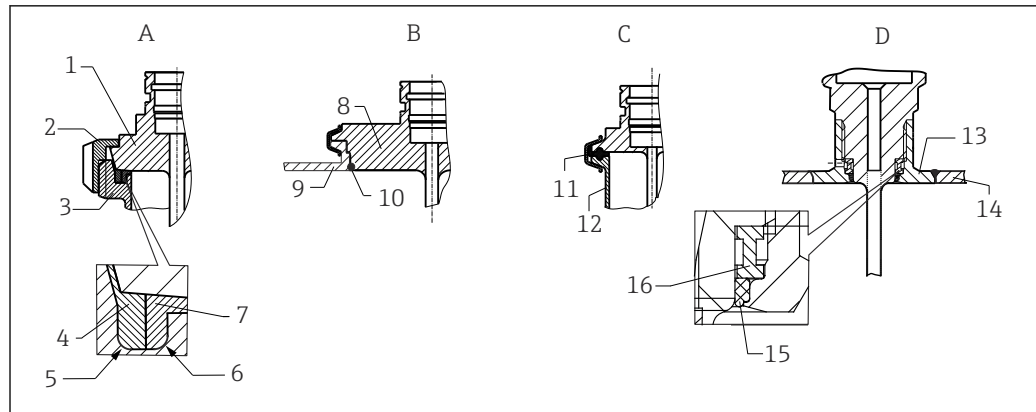
- 1, 2 Perpendicular to flow direction, installed at a minimum angle of  $3^\circ$ , to ensure self-draining
- 3 On elbows
- 4 Inclined installation in pipes with a small nominal diameter
- L Insertion length

**i** The requirements of the EHEDG and the 3-A Sanitary Standard must be adhered to.

Installation instruction EHEDG/cleanability:  $L_t \leq (D_t - d_t)$

Installation instruction 3-A/cleanability:  $L_t \leq 2(D_t - d_t)$

**i** In the case of pipes with a small nominal diameter, it is advisable for the tip of the thermometer to project well into the process so that it extends past the pipe axis. Installation at an angle (4) could be another solution. When determining the immersion or insertion length, all the parameters of the thermometer and of the medium to be measured must be taken into account (e.g. Flow velocity, process pressure).



4 Detailed installation instructions for hygiene-compliant installation

A Milk pipe connection according to DIN 11851, only in conjunction with EHEDG-certified, self-centering sealing ring

1 Sensor with milk pipe connection

2 Groove slip-on nut

3 Counterpart connection

4 Centering ring

5 R0.4

6 R0.4

7 Sealing ring

B Varivent® process connection for VARINLINE® housing

8 Sensor with Varivent connection

9 Counterpart connection

10 O-ring

C Clamp according to ISO 2852

11 Molded seal

12 Counterpart connection

D Process connection Liquiphant-M G1", horizontal installation

13 Weld-in adapter

14 Vessel wall

15 O-ring

16 Thrust collar

#### NOTICE

The following actions must be taken if a sealing ring (O-ring) or seal fails:

- ▶ The thermometer must be removed.
- ▶ The thread and the O-ring joint/sealing surface must be cleaned.
- ▶ The sealing ring or seal must be replaced.
- ▶ CIP must be performed after installation.


In the case of weld-in connections, exercise the necessary degree of care when performing the welding work on the process side:

1. Use suitable welding material.
2. Flush-weld or weld with welding radius  $\geq 3.2$  mm (0.13 in).
3. Avoid crevices, folds or gaps.
4. Ensure the surface is honed and mechanically polished,  $R_a \leq 0.76$   $\mu\text{m}$  (30  $\mu\text{in}$ ).

Pay attention to the following when installing the thermometer to ensure that the cleanability is not affected:

1. The installed sensor is suitable for CIP (cleaning in place). Cleaning is performed together with the pipe or tank. In the case of internal tank fixtures using process connection nozzles, it is important to ensure that the cleaning assembly sprays this area directly so that it is cleaned properly.
2. The Varivent® connections enable flush-mounted installation.

## Environment

<b>Ambient temperature range</b>	$T_a$	-40 to +85 °C (-40 to +185 °F)
<b>Storage temperature</b>	$T_s$	-40 to +85 °C (-40 to +185 °F)
<b>Operating altitude</b>	Up to 2 000 m (6 600 ft) above sea level	
<b>Climate class</b>	In accordance with IEC/EN 60654-1, class C	
<b>Degree of protection</b>	As per IEC/EN 60529: IP67 with coupling and connecting cable (not evaluated by UL). Depends on the degree of protection of the connection cable. →  25	
<b>Shock and vibration resistance</b>	4g in the range from 2 to 150 Hz as per DIN EN 60068-2-6	
<b>Electromagnetic compatibility (EMC)</b>	<p>EMC to all relevant requirements of the IEC/EN 61326-series and NAMUR Recommendation EMC (NE21). For details, refer to the Declaration of Conformity.</p> <p>Maximum fluctuations during EMC-tests: &lt; 1 % of measuring span.</p> <p>Interference immunity to IEC/EN 61326-series, requirements for industrial areas</p> <p>Interference emission to IEC/EN 61326-series, electrical equipment Class B</p>	
<b>Electrical safety</b>	<ul style="list-style-type: none"> <li>■ Protection class III</li> <li>■ Overvoltage category II</li> <li>■ Pollution level 2</li> </ul>	

## Process

**Process temperature range** The thermometer electronics must be protected against temperatures over 85 °C (185 °F) by an extension neck of the appropriate length.


### Device version without electronics

<b>Independent of the extension neck</b>	-50 to +200 °C (-58 to +392 °F)
--	---------------------------------

### Device version with electronics

<b>Without extension neck</b>	-50 to +150 °C (-58 to +302 °F)
<b>With extension neck</b>	-50 to +200 °C (-58 to +392 °F)


The following restrictions apply for the thermometer for general applications with a process connection, depending on the process connection and ambient temperature:

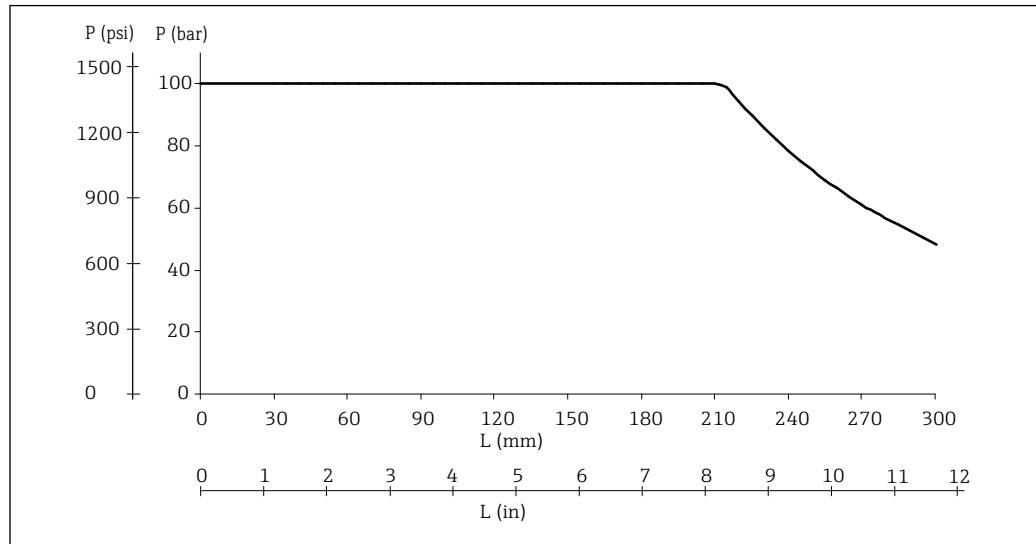
- If mounting with process connections with an adjustable insertion length, e.g. compression fitting with sealing taper, a corresponding extension neck length must be taken into consideration when installing. →  22
- Ambient temperatures must be taken into consideration

Maximum ambient temperature	Maximum process temperature	
	Without extension neck	With extension neck length 35 mm (1.38 in)
≤ 25 °C (77 °F)	150 °C (302 °F)	200 °C (392 °F)
≤ 40 °C (104 °F)	135 °C (275 °F)	180 °C (356 °F)

Maximum ambient temperature	Maximum process temperature	
	Without extension neck	With extension neck length 35 mm (1.38 in)
≤ 60 °C (140 °F)	120 °C (248 °F)	160 °C (320 °F)
≤ 85 °C (185 °F)	100 °C (212 °F)	133 °C (271 °F)

**Process pressure range**

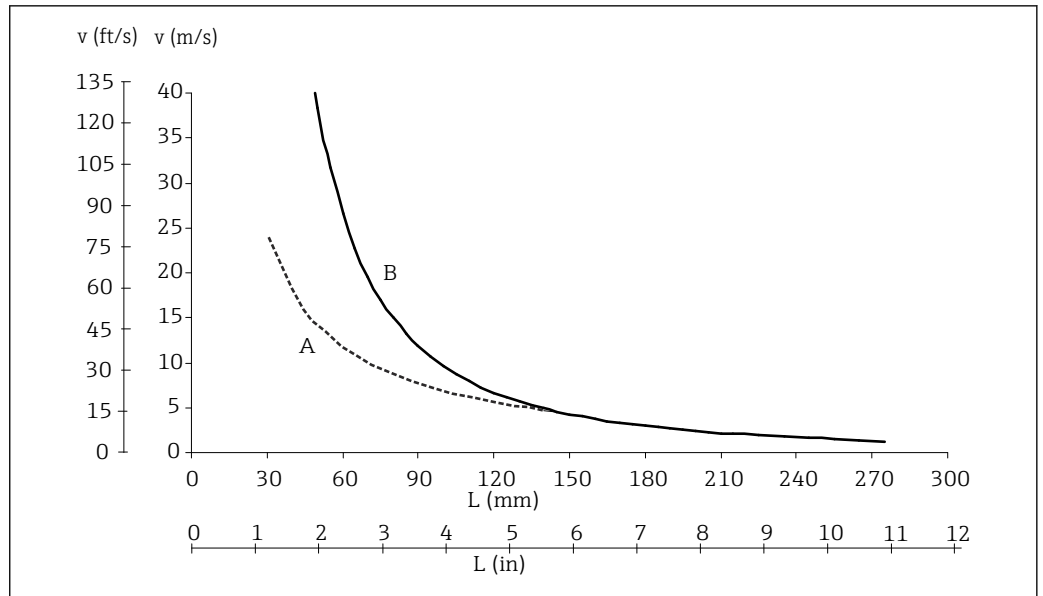
The maximum possible process pressure depends on various influencing factors, such as the design, process connection and process temperature. Maximum possible process pressures for the individual process connections. →  16



 5 Maximum permitted process pressure

*L* Insertion length  
*p* Process pressure

The diagram not only considers the overpressure but also the pressure load caused by the flow, wherein a safety factor of 1.9 has been specified for operation with flow. The maximum permitted static operating pressure is lower for longer insertion lengths due to the increased bending load caused by the flow. The calculation assumes the maximum permitted flow velocity for the respective insertion length (see the diagram below).



6 Permitted flow velocity depending on the insertion length

*L* Insertion length during flow

*v* Flow velocity

A Medium: water at  $T = 50\text{ °C}$  ( $122\text{ °F}$ )

B Medium: superheated steam at  $T = 200\text{ °C}$  ( $392\text{ °F}$ )

The permitted flow velocity is the minimum from the resonance velocity (resonance distance 80%) and the load or buckling caused by flow, which would result in the failure of the thermometer tube or the undershooting of the safety factor (1.9). The calculation was performed for the specified limit operating conditions of  $T = 200\text{ °C}$  ( $392\text{ °F}$ ) and process pressure  $p \leq 100\text{ bar}$  ( $1450\text{ psi}$ ).

**i** It is possible to verify the mechanical loading capacity as a function of the installation and process conditions using the online TW Sizing Module for thermowells in the Endress+Hauser Applicator software. → 22

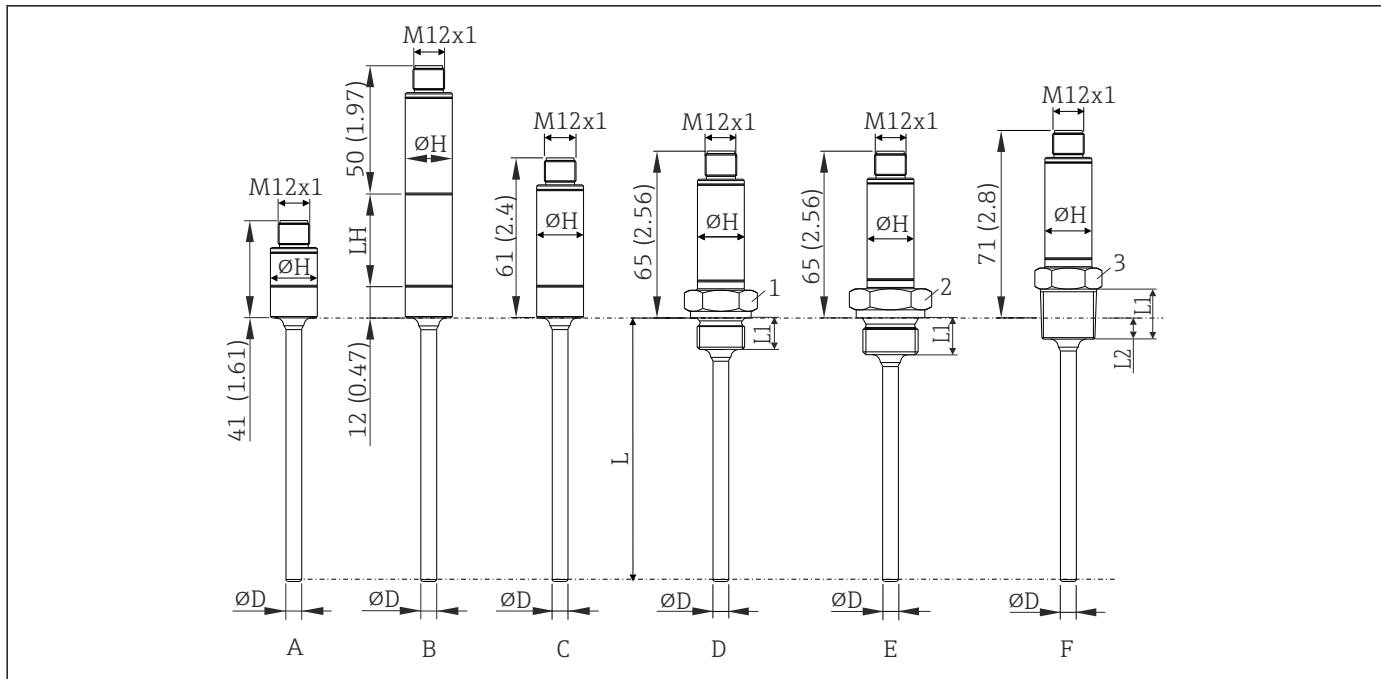
**Medium - state of aggregation**

Gaseous or liquid (also with high viscosity, e.g. yogurt).

## Mechanical construction

**Design, dimensions**

Thermometer for general applications



A0020192

7 Dimensions in mm (in)

$L$  Insertion length  $L$ , variable 40 to 600 mm (1.6 to 23.6 in)

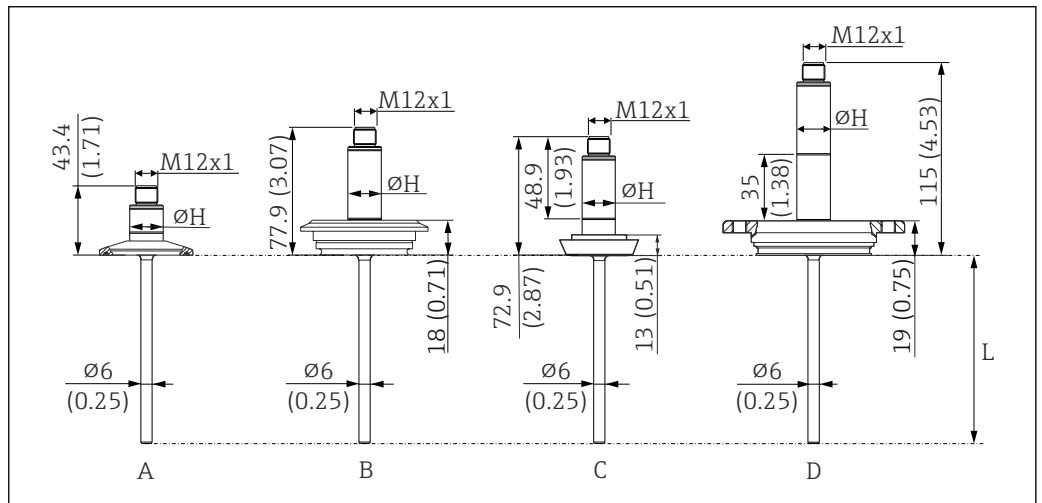
$\varnothing D$  Diameter  $D$  6 mm (0.25 in)

$\varnothing H$  Sleeve diameter 18 mm (0.71 in)

Item	Version	Thread length $L_1$	Thread length $L_2$	$P_{max.}$
A	Shortened sleeve (without built-in transmitter, without extension neck, without process connection). For suitable welding bosses and compression fittings, see the Accessories section.	-	-	-
B	With extension neck; $L_H$ = Extension neck length 35 mm or 50 mm (1.38 in or 1.97 in), without process connection. For suitable welding bosses and compression fittings, see the Accessories section.	-	-	-
C	Without extension neck, without process connection. For suitable welding bosses and compression fittings, see the Accessories section.	-	-	-
D	Without extension neck, metric threaded process connection: <ul style="list-style-type: none"> <li>■ M14x1.5 (1 = SW/AF19)</li> <li>■ M18x1.5 (1 = SW/AF24)</li> </ul>	12 mm (0.47 in)	-	100 bar (1450 psi)
E	Without extension neck, threaded process connection, cylindrical as per ISO 228: <ul style="list-style-type: none"> <li>■ G<math>\frac{1}{4}</math>" (2 = SW/AF19)</li> <li>■ G<math>\frac{1}{2}</math>" (2 = SW/AF27)</li> </ul>	12 mm (0.47 in) 14 mm (0.55 in)	- -	
F	Without extension neck, threaded process connection in inches, conical: <ul style="list-style-type: none"> <li>■ ANSI NPT <math>\frac{1}{4}</math>" (3 = SW/AF19)</li> <li>■ ANSI NPT <math>\frac{1}{2}</math>" (3 = SW/AF27)</li> <li>■ BSPT R <math>\frac{1}{2}</math>" (3 = SW/AF/22)</li> </ul>	14.3 mm (0.56 in) 19 mm (0.75 in) 19 mm (0.75 in)	5.8 mm (0.23 in) 8.1 mm (0.32 in) 8.1 mm (0.32 in)	

Design, dimensions

Thermometer for hygienic applications

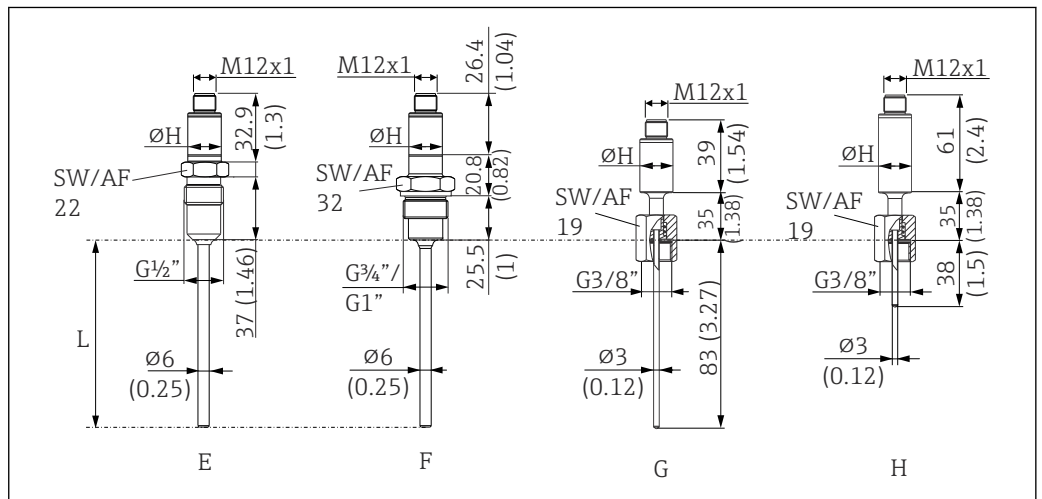


A0018283

8 Dimensions in mm (in)

L Insertion length L, variable 40 to 600 mm (1.6 to 23.6 in)

ØH Sleeve diameter 18 mm (0.71 in)



A0044938

9 Dimensions in mm (in)

L Insertion length L, variable 40 to 600 mm (1.6 to 23.6 in)

ØH Sleeve diameter 18 mm (0.71 in)

Item	Version
A	Shortened sleeve (without built-in transmitter, without extension neck), with 1" clamp process connection (example for minimum length)
B	Without extension neck, process connection Varivent F
C	Without extension neck, process connection according to DIN 11851
D	With extension neck 35 mm (1.38 in), with APV-INLINE process connection (example for maximum length)
E	Shortened sleeve (without built-in transmitter, without extension neck), process connection metal sealing system for hygienic processes, G½" thread. Suitable welding boss available as an accessory.
F	Shortened sleeve (without built-in transmitter, without extension neck), process connection for hygienic processes, G¾" or G1" thread, material 316L (1.4404). Suitable Liquiphant weld-in adapter available as an accessory.

Item	Version
G	Shortened sleeve (without built-in transmitter), with extension neck, insertion length 83 mm (3.27 in)
H	With extension neck, insertion length 38 mm (1.5 in)

**Weight** 0.2 to 2.5 kg (0.44 to 5.5 lbs) for standard versions

**Material** The temperatures for continuous operation specified in the following table are only intended as reference values for use of the various materials in air and without any significant compressive load. The maximum operating temperatures can be reduced considerably in cases where abnormal conditions such as high mechanical load occur or in aggressive media.

Description	Short form	Recommended max. temperature for continuous use in air	Properties
AISI 316L (corresponds to 1.4404 or 1.4435)	X2CrNiMo17-13-2, X2CrNiMo18-14-3	650 °C (1 202 °F) <sup>1)</sup>	<ul style="list-style-type: none"> <li>■ Austenitic, stainless steel</li> <li>■ High corrosion resistance in general</li> <li>■ Particularly high corrosion resistance in chlorine-based and acidic, non-oxidizing atmospheres through the addition of molybdenum (e.g. phosphoric and sulfuric acids, acetic and tartaric acids with a low concentration)</li> <li>■ Increased resistance to intergranular corrosion and pitting</li> </ul>

1) Can be used to a limited extent up to 800 °C (1472 °F) for low compressive loads and in non-corrosive media. More information is available from the sales organization.

#### Surface roughness

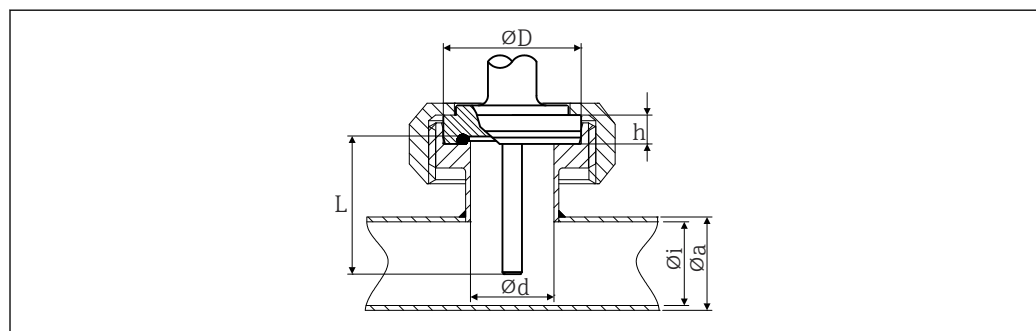
Values for wetted surfaces:

Standard surface, mechanically polished <sup>1)</sup>	$R_a \leq 0.76 \mu\text{m}$ (30 $\mu\text{in}$ )
Mechanically polished <sup>1)</sup> , buffed <sup>2)</sup>	$R_a \leq 0.38 \mu\text{m}$ (15 $\mu\text{in}$ )
Mechanically polished <sup>1)</sup> , buffed and electropolished	$R_a \leq 0.38 \mu\text{m}$ (15 $\mu\text{in}$ ) + electropolished

- 1) Or equivalent treatment that guarantees  $R_a$  max  
2) Not compliant with ASME BPE

#### Process connections for hygienic applications

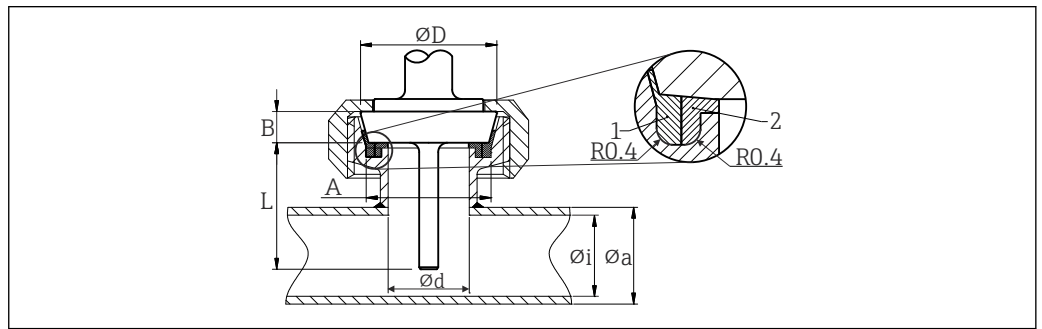
All dimensions in mm (in).



10 Aseptic pipe union according to DIN 11864-1, Form A

Version	Dimensions					Technical properties
	$\phi d$	$\phi D$	$\phi i$	$\phi a$	h	
DN25	26 mm (1.02 in)	42.9 mm (1.7 in)	26 mm (1.02 in)	29 mm (1.14 in)	9 mm (0.35 in)	<ul style="list-style-type: none"> <li>■ <math>P_{\text{max.}} = 40 \text{ bar}</math> (580 psi)</li> <li>■ 3-A<sup>®</sup> marked and EHEDG certified</li> <li>■ ASME BPE compliance</li> </ul>





A0045090

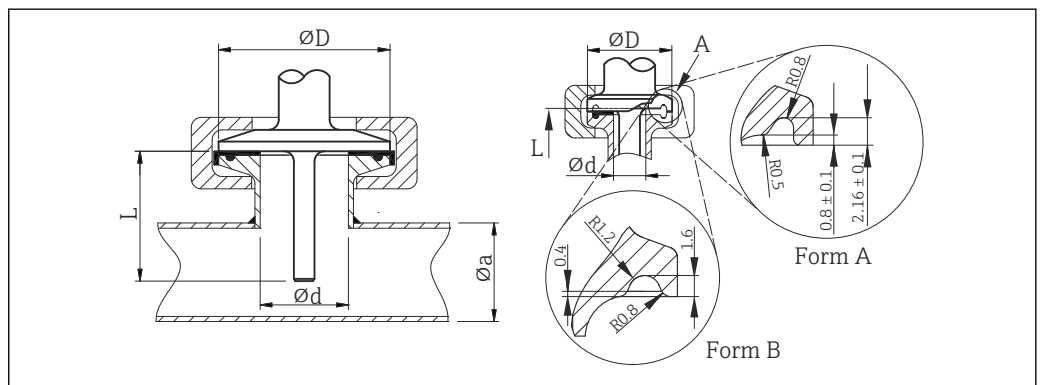
11 Milk pipe connection according to DIN 11851

- 1 Centering ring
- 2 Sealing ring

- 3-A® marked and EHEDG certified (only with EHEDG-certified and self-centering sealing ring).
- ASME BPE compliance

Version <sup>1)</sup>	Type					Technical properties
	Dimensions					
	$\varnothing D$	A	B	$\varnothing i$	$\varnothing a$	$P_{max.}$
DN25	44 mm (1.73 in)	30 mm (1.18 in)	10 mm (0.39 in)	26 mm (1.02 in)	29 mm (1.14 in)	40 bar (580 psi)
DN40	56 mm (2.2 in)	42 mm (1.65 in)	10 mm (0.39 in)	38 mm (1.5 in)	41 mm (1.61 in)	40 bar (580 psi)
DN50	68 mm (2.68 in)	54 mm (2.13 in)	11 mm (0.43 in)	50 mm (1.97 in)	53 mm (2.1 in)	25 bar (363 psi)

1) Pipes in accordance with DIN 11850



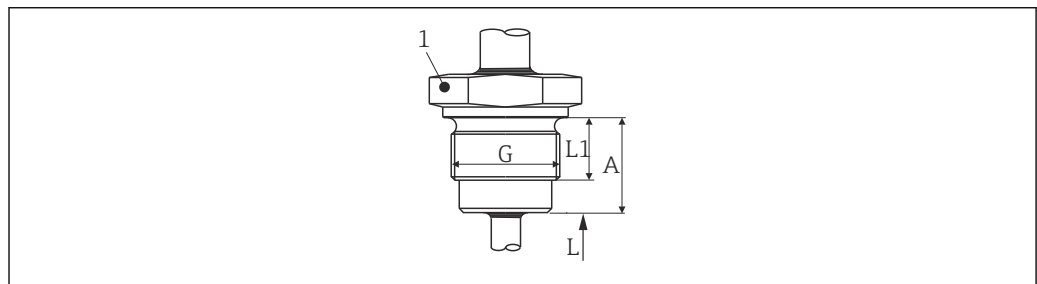
A0045091

12 Clamp according to ISO 2852

- A Form A: in compliance with ASME BPE Type A and Form B: in compliance with ASME BPE Type B and ISO 2852

Version	Dimensions		Technical properties	Conformity	
	$\phi d$ : <sup>1)</sup>	$\phi D$			$\phi a$
Microclamp <sup>2)</sup> DN8-18 (0.5"-0.75") <sup>3)</sup> , Form A	25 mm (0.98 in)	-	<ul style="list-style-type: none"> <li>■ <math>P_{max.} = 16</math> bar (232 psi), depends on clamp ring and suitable seal</li> <li>■ 3-A® marked</li> </ul>	ASME BPE Type A	
Clamp DN25-38 (1"-1.5"), Form B	50.5 mm (1.99 in)	29 to 42.4 mm (1.14 to 1.67 in)		<ul style="list-style-type: none"> <li>■ <math>P_{max.} = 16</math> bar (232 psi), depends on clamp ring and suitable seal</li> <li>■ 3-A® marked and EHEDG certified (combined with Combifit seal)</li> <li>■ Can be used with "Novaseptic Connect (NA Connect)" which enables flush-mount installation</li> </ul>	ASME BPE Type B; ISO 2852
Clamp DN40-51 (2"), Form B	64 mm (2.52 in)	44.8 to 55.8 mm (1.76 to 2.2 in)			ASME BPE Type B; ISO 2852
Clamp DN63,5 (2.5"), Form B	77.5 mm (3.05 in)	68.9 to 75.8 mm (2.71 to 2.98 in)			ASME BPE Type B; ISO 2852

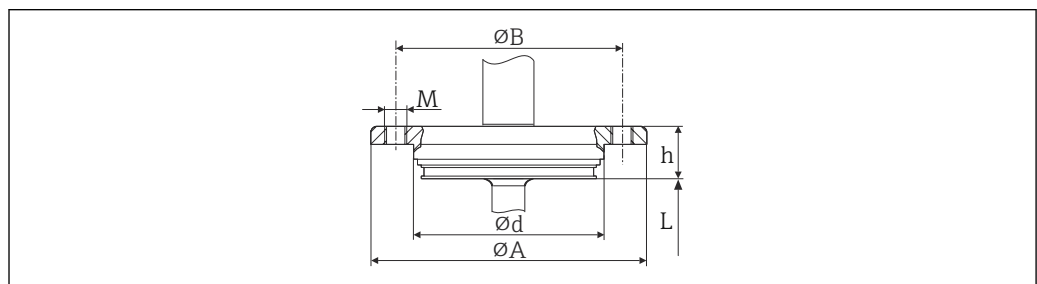
- 1) Pipes in accordance with ISO 2037 and BS 4825 Part 1
- 2) Microclamp (not in ISO 2852); no standard pipes
- 3) DN8 (0.5") only possible with thermowell diameter = 6 mm (¼ in)



A0045092

13 Thread according to ISO 228 for weld-in adapter Liquiphant

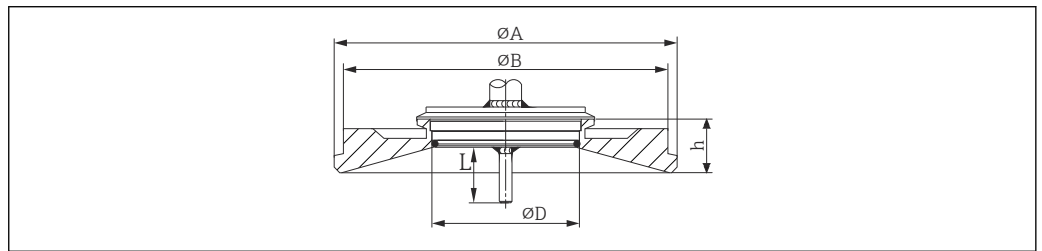
Version G	Dimensions			Technical properties
	L1 thread length	A	1 (SW/AF)	
G¾" for FTL20/31/33 adapter	16 mm (0.63 in)	25.5 mm (1 in)	32	<ul style="list-style-type: none"> <li>■ <math>P_{max.} = 25</math> bar (362 psi) at max. 150 °C (302 °F)</li> <li>■ <math>P_{max.} = 40</math> bar (580 psi) at max. 100 °C (212 °F)</li> <li>■ 3-A® marked and EHEDG certified in conjunction with FTL31/33/50 adapter</li> <li>■ ASME BPE compliance</li> </ul>
G¾" for FTL50 adapter				
G1" for FTL50 adapter	18.6 mm (0.73 in)	29.5 mm (1.16 in)	41	



A0045093

14 APV inline

Version	Dimensions					Technical properties
	$\phi d$	$\phi A$	$\phi B$	M	h	
DN50	69 mm (2.72 in)	99.5 mm (3.92 in)	82 mm (3.23 in)	2xM8	19 mm (0.75 in)	<ul style="list-style-type: none"> <li>■ <math>P_{max.} = 25 \text{ bar (362 psi)}</math></li> <li>■ 3-A® marked and EHEDG certified</li> <li>■ ASME BPE compliance</li> </ul>



A0045094

15 Varivent®

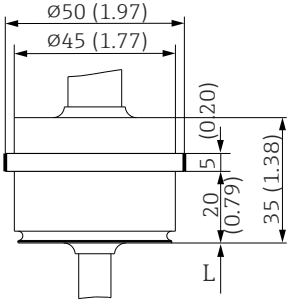
Version	Dimensions				Technical properties	
	$\phi D$	$\phi A$	$\phi B$	h	$P_{max.}$	
Type F	50 mm (1.97 in)	145 mm (5.71 in)	135 mm (5.31 in)	24 mm (0.95 in)	10 bar (145 psi)	<ul style="list-style-type: none"> <li>■ 3-A® marked and EHEDG certified</li> <li>■ ASME BPE compliance</li> </ul>
Type N	68 mm (2.67 in)	165 mm (6.5 in)	155 mm (6.1 in)	24.5 mm (0.96 in)		

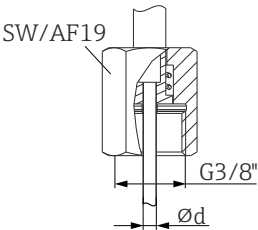
**i** The VARINLINE® housing connection flange is suitable for weld-in into the conical or torispherical head in tanks or vessels with a small diameter ( $\leq 1.6 \text{ m (5.25 ft)}$ ) and up to a wall thickness of 8 mm (0.31 in).

Varivent® Type F cannot be used for installations in pipes in combination with the VARINLINE® housing connection flange.

Type	Version	Technical properties
Metal sealing system <b>G½"</b> 	Thermowell diameter 6 mm (¼ in)	$P_{max.} = 16 \text{ bar (232 psi)}$ <b>i</b> Maximum torque = 10 Nm (7.38 lbf ft)

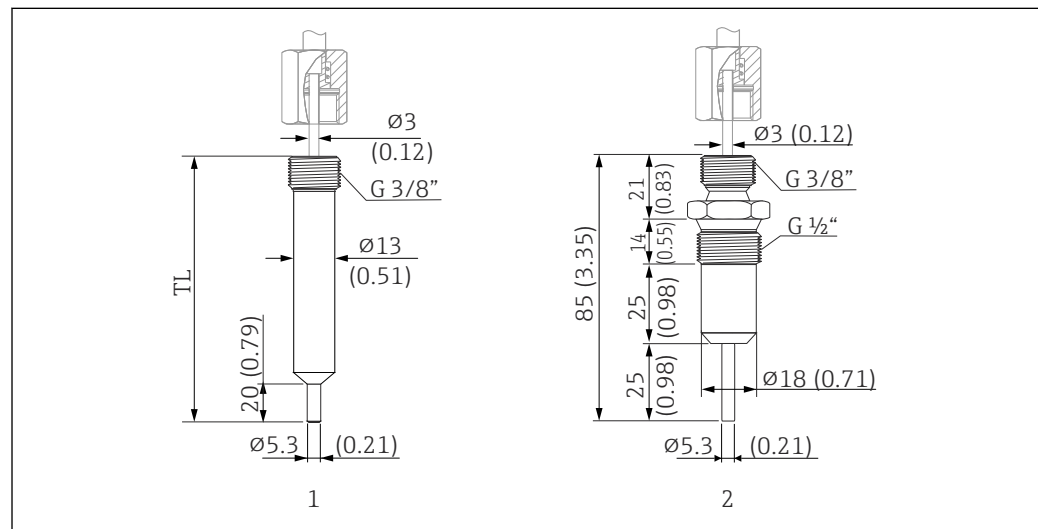
A0045095

Type	Version	Technical properties
Process adapter  <small>A0045096</small>	D45	-

Type	Version	Technical properties
Spring-loaded cap-nut  <small>A0044937</small>	G3/8" thread for mounting in a thermowell	-

### Thermowell design, dimensions

Thermometer for hygienic applications



16 Thermowell for connection to the compact thermometer with spring-loaded cap-nut and G3/8" thread. Dimensions in mm (in)

- Cylindrical thermowell, TL = 70 mm (2.76 in), option WA or 85 mm (3.35 in), option WB, with 3-A<sup>®</sup> symbol,  $P_{max.} = 250$  bar (3 626 psi) with maximum flow velocity of 40 m/s (131 ft/s)
- Thermowell, metal-to-metal seal,  $P_{max.} = 16$  bar (232 psi)



## Human interface

### Local operation

There are no operating elements directly on the device. The temperature transmitter is configured via remote operation.

<b>Local display</b>	There are no display elements directly on the device. The measured value and diagnostic messages, for instance, can be accessed via the interface with PC software.
<b>Remote operation</b>	Configuration via configuration set TXU10, for PC-programmable thermometer - with setup software (ReadWin 2000) and interface for PC with USB port. The software can be downloaded free of charge from the following website: <a href="http://www.endress.com/readwin">www.endress.com/readwin</a>

## Certificates and approvals

<b>CE mark</b>	The product meets the requirements of the harmonized European standards. As such, it complies with the legal specifications of the EC directives. The manufacturer confirms successful testing of the product by affixing to it the CE-mark.
<b>EAC mark</b>	The product meets the legal requirements of the EEU guidelines. The manufacturer confirms the successful testing of the product by affixing the EAC mark.
<b>Hygiene standard</b>	<ul style="list-style-type: none"> <li>▪ EHEDG certification, type EL CLASS I. EHEDG-certified/tested process connections. →  16</li> <li>▪ 3-A Authorization No. 1144, 3-A Sanitary Standard 74-07. Listed process connections. →  16</li> <li>▪ ASME BPE, declaration of conformity can be ordered for options indicated</li> <li>▪ FDA-compliant</li> <li>▪ All surfaces in contact with the medium are free from materials derived from bovine animals or other livestock (ADI/TSE)</li> </ul>
<b>Materials in contact with food/product (FCM)</b>	The materials of the thermometer in contact with food/product (FCM) comply with the following European regulations: <ul style="list-style-type: none"> <li>▪ (EC) No. 1935/2004, Article 3, paragraph 1, Articles 5 and 17 on materials and articles intended to come into contact with food.</li> <li>▪ (EC) No. 2023/2006 on good manufacturing practice for materials and articles intended to come into contact with food.</li> <li>▪ (EU) No. 10/2011 on plastic materials and articles intended to come into contact with food.</li> </ul>
<b>Marine approval</b>	Information on the Type Approval Certificates currently available (DNVGL, BV, etc.) can be obtained from the sales organization.
<b>Other standards and guidelines</b>	<ul style="list-style-type: none"> <li>▪ IEC 60529: Degrees of protection provided by enclosures (IP code)</li> <li>▪ IEC/EN 61010-1: Safety requirements for electrical equipment for measurement, control, and laboratory use</li> <li>▪ IEC/EN 61326 series: Electromagnetic compatibility (EMC requirements)</li> </ul>
<b>Material certification</b>	The material certificate 3.1 (according to EN 10204) can be requested separately. The short form certificate includes a simplified declaration with no enclosures of documents related to the materials used in the design of the individual sensor, but guarantees the traceability of the materials through the identification number of the thermometer. The data regarding the origin of the materials can subsequently be requested by the client if necessary.
<b>Calibration</b>	The factory calibration is performed according to an internal procedure in a laboratory of the manufacturer that is accredited by the European Accreditation Organization (EA) according to ISO/IEC 17025. A calibration which is performed according to EA guidelines (SIT/Accredia or DKD/DAKKS) can be requested separately. The calibration is performed on the replaceable insert of the thermometer. In the case of thermometers without a replaceable insert, the entire thermometer - from the process connection to the tip of the thermometer - is calibrated.
<b>UL approval</b>	More information under UL Product iq™, search for keyword "E225237")

## Ordering information

Detailed ordering information is available from your nearest sales organization [www.addresses.endress.com](http://www.addresses.endress.com) or in the Product Configurator at [www.endress.com](http://www.endress.com):

1. Select the product using the filters and search field.
2. Open the product page.
3. Select **Configuration**.

### Product Configurator - the tool for individual product configuration

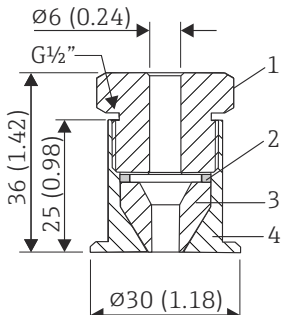
- Up-to-the-minute configuration data
- Depending on the device: Direct input of measuring point-specific information such as measuring range or operating language
- Automatic verification of exclusion criteria
- Automatic creation of the order code and its breakdown in PDF or Excel output format
- Ability to order directly in the Endress+Hauser Online Shop

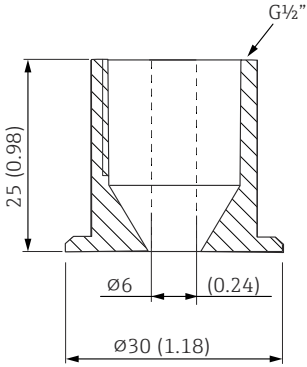
## Accessories

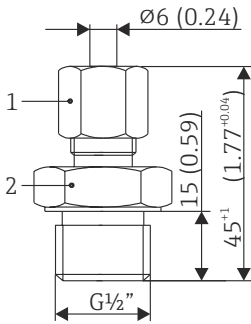
Various accessories, which can be ordered with the device or subsequently from Endress+Hauser, are available for the device. Detailed information on the order code in question is available from your local Endress+Hauser sales center or on the product page of the Endress+Hauser website: [www.endress.com](http://www.endress.com).

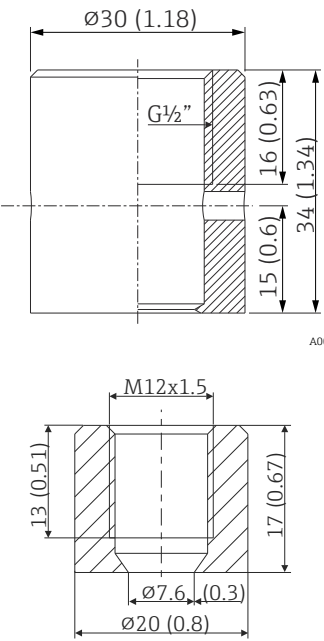
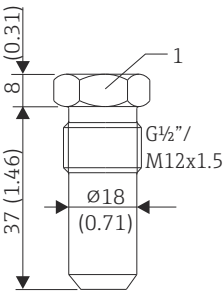
All dimensions in mm (in).

### Device-specific accessories


Accessories	Description
<p>Welding boss with sealing taper</p>  <p style="text-align: right;">A0048610</p> <ol style="list-style-type: none"> <li>1 Pressure screw, 303/304, width across flats 24 mm</li> <li>2 Washer, 303/304</li> <li>3 Sealing taper, PEEK</li> <li>4 Collar welding boss, 316L</li> </ol>	<ul style="list-style-type: none"> <li>▪ Collar welding boss movable with sealing taper, washer and pressure screw G<math>\frac{1}{2}</math>"</li> <li>▪ Material of parts in contact with the process 316L, PEEK</li> <li>▪ Max. process pressure 10 bar (145 psi)</li> <li>▪ Order number with pressure screw 51004751</li> <li>▪ Order number without pressure screw 51004752</li> </ul>

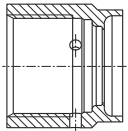
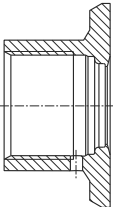
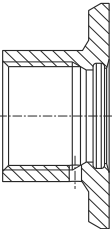
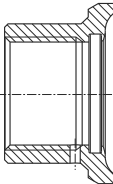
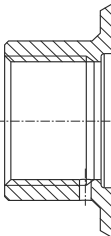
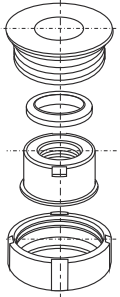
Accessories	Description
<p style="text-align: center;">Collar welding boss</p>  <p style="text-align: right; font-size: small;">A0020710</p>	<ul style="list-style-type: none"> <li>■ Material of parts in contact with the process 316L</li> <li>■ Order number without pressure screw 51004752</li> </ul>

Accessories	Description
<p style="text-align: center;">Compression fitting</p>  <p style="margin-top: 10px;">1 AF14 2 AF27</p> <p style="text-align: right; font-size: small;">A0048609</p>	<ul style="list-style-type: none"> <li>■ Adjustable clamping ring, for process connections G<math>\frac{1}{2}</math>", G<math>\frac{3}{4}</math>", G1", NPT <math>\frac{1}{2}</math>", etc.</li> <li>■ Material of compression fitting and parts in contact with the process, 316L</li> <li>■ Order number TA50-HB (other versions can be configured in the TA50 structure)</li> </ul>

Accessories	Description
<p>Welding boss with sealing taper (metal-metal)</p>  <p style="text-align: right; font-size: small;">A0006621 A0018236</p>	<ul style="list-style-type: none"> <li>■ Welding boss for G<math>\frac{1}{2}</math>" or M12x1.5 thread</li> <li>■ Metal-sealing; conical</li> <li>■ Material of parts in contact with the process 316L/1.4435</li> <li>■ Max. process pressure 16 bar (232 PSI)</li> <li>■ Order number 71424800 (G<math>\frac{1}{2}</math>" )</li> </ul>
<p>Dummy plug</p>  <p style="text-align: right; font-size: small;">A0045726</p> <p>1 AF22</p>	<ul style="list-style-type: none"> <li>■ Dummy plug for G<math>\frac{1}{2}</math>" or M12x1.5 conical metal-sealing welding boss</li> <li>■ Material: SS 316L/1.4435</li> <li>■ Order number 60022519 (G<math>\frac{1}{2}</math>" )</li> </ul>


**Weld-in adapter**

 For more information about order codes and hygienic compliance of the adapters and spare parts, see Technical Information (TI00426F).

<p>Weld-in adapter</p>	 <p style="text-align: center; font-size: x-small;">A0008246</p>	 <p style="text-align: center; font-size: x-small;">A0008251</p>	 <p style="text-align: center; font-size: x-small;">A0008256</p>	 <p style="text-align: center; font-size: x-small;">A0011924</p>	 <p style="text-align: center; font-size: x-small;">A0008248</p>	 <p style="text-align: center; font-size: x-small;">A0008253</p>
	<p>G <math>\frac{3}{4}</math>", d=29 for pipe-mounting</p>	<p>G <math>\frac{3}{4}</math>", d=50 for vessel-mounting</p>	<p>G <math>\frac{3}{4}</math>", d=55 with flange</p>	<p>G 1", d=53 without flange</p>	<p>G 1", d=60 with flange</p>	<p>G 1" adjustable</p>

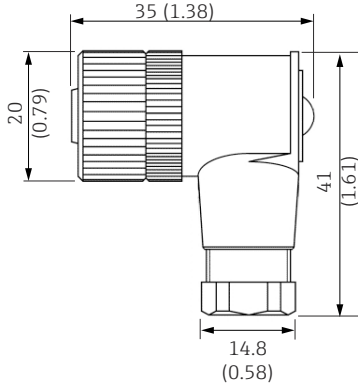


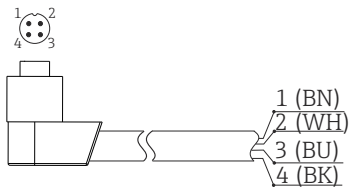
Material	316L (1.4435)	316L (1.4435)	316L (1.4435)	316L (1.4435)	316L (1.4435)	316L (1.4435)
Roughness $\mu\text{m}$ ( $\mu\text{in}$ ) process side	$\leq 1.5$ (59.1)	$\leq 0.8$ (31.5)	$\leq 0.8$ (31.5)	$\leq 0.8$ (31.5)	$\leq 0.8$ (31.5)	$\leq 0.8$ (31.5)

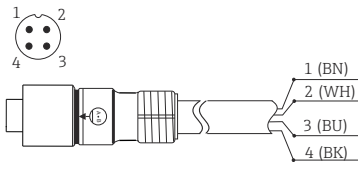
-  Maximum process pressure for the weld-in adapters:
- 25 bar (362 PSI) at maximum 150 °C (302 °F)
  - 40 bar (580 PSI) at maximum 100 °C (212 °F)

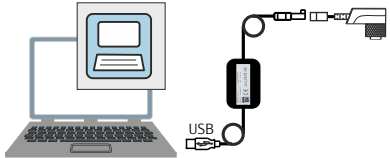
**Communication-specific accessories**

**Coupling**

Accessories	Description
<ul style="list-style-type: none"> <li>■ M12x1 coupling; elbowed, for termination of connecting cable by user</li> <li>■ Connection to M12x1 housing connector</li> <li>■ Body materials PBT/PA</li> <li>■ Cap-nut GD-Zn, nickel-plated</li> <li>■ IP67 degree of protection (fully locked)</li> <li>■ Order number 51006327</li> <li>■ Voltage: max. 250 V</li> <li>■ Current carrying capacity: max. 4 A</li> <li>■ Temperature: -40 to 85 °C</li> </ul>	 <p style="text-align: right;">A0020722</p>

Accessories	Description
<ul style="list-style-type: none"> <li>■ PVC cable, 4 x 0.34 mm<sup>2</sup> (22 AWG) with M12x1 coupling, elbow plug, screw plug, length 5 m (16.4 ft)</li> <li>■ IP69K protection (optional)</li> <li>■ Order number 71387767</li> <li>■ Voltage: max. 250 V</li> <li>■ Current carrying capacity: max. 4 A</li> <li>■ Temperature: -25 to 70 °C</li> </ul> <p>Wire colors:</p> <ul style="list-style-type: none"> <li>■ 1 = BN brown</li> <li>■ 2 = WH white</li> <li>■ 3 = BU blue</li> <li>■ 4 = BK black</li> </ul>	 <p style="text-align: right;">A0020723</p>

Accessories	Description
<ul style="list-style-type: none"> <li>■ PVC cable, 4 x 0.34 mm<sup>2</sup> (22 AWG) with M12x1 coupling nut made of epoxy coated zinc, straight socket contact, screw plug, 5 m (16.4 ft)</li> <li>■ IP69K protection (optional)</li> <li>■ Order number 71217708</li> <li>■ Voltage: max. 250 V</li> <li>■ Current carrying capacity: max. 4 A</li> <li>■ Temperature: -20 to 105 °C</li> </ul> <p>Wire colors:</p> <ul style="list-style-type: none"> <li>■ 1 = BN brown</li> <li>■ 2 = WH white</li> <li>■ 3 = BU blue</li> <li>■ 4 = BK black</li> </ul>	 <p style="text-align: right;">A0020725</p>

Accessories	Description
Configuration kit for PC-programmable transmitters - setup program and interface cable (4-pin connector) for PC with USB port + adapter for compact thermometer with M12x1 thread Order code: TXU10	 <p style="text-align: right;">A0028635</p>


## Service-specific accessories


Accessories	Description
Applicator	<p>Software for selecting and sizing Endress+Hauser measuring devices:</p> <ul style="list-style-type: none"> <li>■ Calculation of all the necessary data for identifying the optimum measuring device: e.g. pressure loss, accuracy or process connections.</li> <li>■ Graphic illustration of the calculation results</li> </ul> <p>Administration, documentation and access to all project-related data and parameters over the entire life cycle of a project.</p> <p>Applicator is available: Via the Internet: <a href="https://portal.endress.com/webapp/applicator">https://portal.endress.com/webapp/applicator</a></p>



Accessories	Description
Configurator	<p>Product Configurator - the tool for individual product configuration</p> <ul style="list-style-type: none"> <li>■ Up-to-the-minute configuration data</li> <li>■ Depending on the device: Direct input of measuring point-specific information such as measuring range or operating language</li> <li>■ Automatic verification of exclusion criteria</li> <li>■ Automatic creation of the order code and its breakdown in PDF or Excel output format</li> <li>■ Ability to order directly in the Endress+Hauser Online Shop</li> </ul> <p>The Configurator is available on the Endress+Hauser website at: <a href="http://www.endress.com">www.endress.com</a> -&gt; Click "Corporate" -&gt; Select your country -&gt; Click "Products" -&gt; Select the product using the filters and search field -&gt; Open product page -&gt; The "Configure" button to the right of the product image opens the Product Configurator.</p>

Accessories	Description
W@M	<p>Life cycle management for your plant</p> <p>W@M offers assistance with a wide range of software applications over the entire process: from planning and procurement to the installation, commissioning and operation of the measuring devices. All the relevant information is available for every measuring device over the entire life cycle, such as the device status, device-specific documentation, spare parts etc.</p> <p>The application already contains the data of your Endress+Hauser device. Endress+Hauser also takes care of maintaining and updating the data records.</p> <p>W@M is available: Via the Internet: <a href="http://www.endress.com/lifecyclemanagement">www.endress.com/lifecyclemanagement</a></p>


## System components

Accessories	Description
RIA16 field indicator	<p>The field indicator presents the analog measuring signal on the display. The LC display shows the current measured value in digital form and as a bar graph indicating a limit value violation. The indicator is looped into the 4 to 20 mA circuit and gets the required energy from there.</p> <p> For details, see Technical Information TI00144R</p>


Accessories	Description
RIA15 field indicator	<p>Field indicator for looping into 4 to 20 mA, panel mounting</p> <p> For details, see Technical Information TI00143K</p>

Accessories	Description
RIA14 field indicator	Field indicator for looping into 4 to 20 mA, optionally available with Ex d approval.  For details, see document TI00143R
Accessories	Description
RN22/RN42	RN221: 1- or 2-channel active barrier for separation of 0/4 to 20 mA standard signal circuits, optionally available as a signal duplicator, 24 V DC. HART-transparent RN42: 1-channel active barrier with wide range power supply for safe separation of 0/4 to 20 mA standard signal circuits, HART-transparent  For details <ul style="list-style-type: none"> <li>▪ Technical Information RN22 -&gt; TI01515K</li> <li>▪ Technical Information RN42 -&gt; TI01584K</li> </ul>

## Documentation

-  For an overview of the scope of the associated Technical Documentation, refer to the following:
- *Device Viewer* ([www.endress.com/deviceviewer](http://www.endress.com/deviceviewer)): Enter the serial number from the nameplate
  - *Endress+Hauser Operations app*: Enter serial number from nameplate or scan matrix code on nameplate.

The following documentation may be available depending on the device version ordered:

Document type	Purpose and content of the document
Technical Information (TI)	<b>Planning aid for your device</b> The document contains all the technical data on the device and provides an overview of the accessories and other products that can be ordered for the device.
Brief Operating Instructions (KA)	<b>Guide that takes you quickly to the 1st measured value</b> The Brief Operating Instructions contain all the essential information from incoming acceptance to initial commissioning.
Operating Instructions (BA)	<b>Your reference document</b> These Operating Instructions contain all the information that is required in the various life cycle phases of the device: from product identification, incoming acceptance and storage, to mounting, connection, operation and commissioning, through to troubleshooting, maintenance and disposal.
Description of Device Parameters (GP)	<b>Reference for your parameters</b> The document provides a detailed explanation of each individual parameter. The description is aimed at those who work with the device over the entire life cycle and perform specific configurations.
Safety Instructions (XA)	Depending on the approval, safety instructions for electrical equipment in hazardous areas are also supplied with the device. The Safety Instructions are a constituent part of the Operating Instructions.  Information on the Safety Instructions (XA) that are relevant for the device is provided on the nameplate.
Supplementary device-dependent documentation (SD/FY)	Always comply strictly with the instructions in the relevant supplementary documentation. The supplementary documentation is a constituent part of the device documentation.



[www.addresses.endress.com](http://www.addresses.endress.com)

---