

# Technical Information

## Unifit CPA842

Hygienic process assembly for safe installation of 12 mm sensors (Pg 13.5) in the food, beverage and life sciences industries

Simple - Safe - Hygienic - Reliable

### Application

- Permanently installed assembly for 12 mm sensors such as pH glass electrodes, conductivity, pH-ISFET and oxygen sensors, etc.
- Food and beverage industry
- Life sciences
- Chemical industry

### Your benefits

- Robust assembly
- Meets the criteria of 3-A standard 74-05, the European Hygienic Engineering and Design Group (EHEDG) and ASME BPE
- Suitable for in-place cleanability and in-line steam sterilizability
- Flush-mounted, gap-free electrode seal (sealing ring)
- Electropolished surface  $R_a = 0.38 \mu\text{m}$  or  $0.76 \mu\text{m}$  (stainless steel 1.4435 (AISI 316 L))
- Hygienic process connections
- A range of process connection versions for easy adaptation to existing processes



## Table of contents

<b>Function and system design</b> .....	<b>3</b>
Operating principle .....	3
Measuring system .....	3
Dependability .....	3
<b>Mounting</b> .....	<b>4</b>
<b>Mechanical construction</b> .....	<b>5</b>
Dimensions .....	5
Design .....	6
Process connections .....	6
Immersion depth .....	8
Leakage monitoring .....	9
Weight .....	9
Materials .....	10
<b>Environment</b> .....	<b>10</b>
Ambient temperature .....	10
Storage temperature .....	10
<b>Process</b> .....	<b>10</b>
Process temperature .....	10
Pressure .....	10
Flow velocity .....	10
Pressure-temperature diagram .....	11
<b>Certificates and approvals</b> .....	<b>11</b>
<b>Ordering information</b> .....	<b>13</b>
Product page .....	13
Product Configurator .....	13
Scope of delivery .....	13
<b>Accessories</b> .....	<b>13</b>
Installation accessories .....	13
Seals .....	14
Sensors (selection) .....	14

## Function and system design

### Operating principle

The assembly is used as a stationary holder for installing 12mm sensors. It can be installed either vertically or at an angle in pipes or reactors. The assembly protects the sensor and seals it off from the process. It is suitable for:

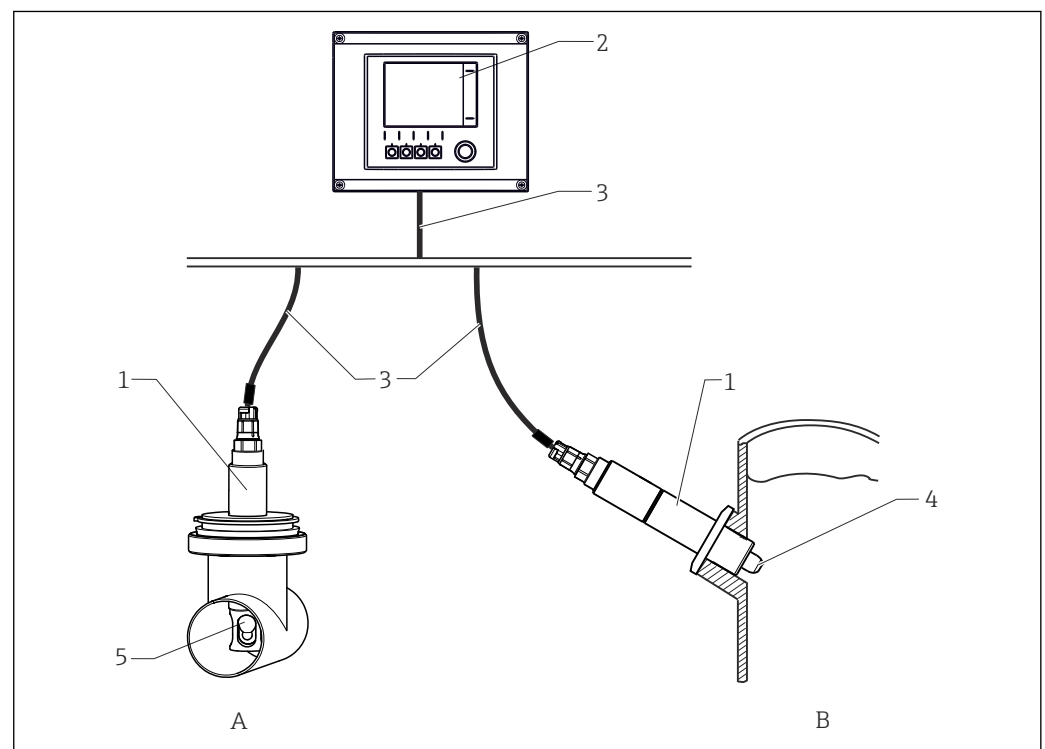
- CIP (cleaning in place)
- SIP (sterilization in place)

The versions in stainless steel 1.4435 (AISI 316 L) and Alloy C22 are autoclavable.

### Measuring system

A complete measuring system comprises:

- Unifit CPA842 assembly
- 12 mm sensor (with shaft length 120 mm), e.g. pH Memosens CPS61E, conductivity Memosens CLS82E or oxygen COS81E
- Transmitter, e.g. Liquiline CM44x
- Measuring cable, e.g. CYK10



1 Measuring system (example)

- 1 Unifit CPA842 assembly
- 2 Liquiline CM44x transmitter
- 3 Measuring cable CYK10
- 4 Sensor COS81E
- 5 Sensor CPS61E
- A Installation in pipe
- B Installation in tank

### Dependability

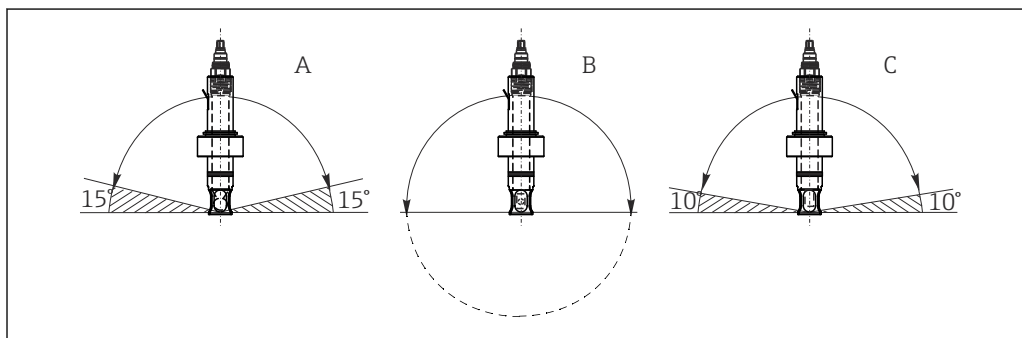
- The assemblies are manufactured in accordance with Endress+Hauser's certified quality criteria.
- The fixed assembly is manufactured from high-grade materials:
  - Stainless steel 1.4435 as per BN2 (AISI 316 L)
  - Only these materials and the relevant seal are in contact with the process medium.
- The assembly can be cleaned and sterilized inline in accordance with EHEDG criteria.
- Certified versions and certificates are available, depending on the version.

## Mounting

- ▶ The assembly is designed for installation on vessels and pipes. Suitable process connections must be available at the customer site for this purpose.
- ▶ The mounting seal, which seals the adapter from the process nozzle, must be provided by the customer (except in the versions DN25 standard and DN25 B. Braun port).
- ▶ Install the assembly only if the vessel is empty and the process is unpressurized.

The assembly can be mounted at any angle from 0° to 360°. The installation conditions of the sensor used must be complied with.

Example:



A0034731

### 2 Permitted angle of installation depending on sensor

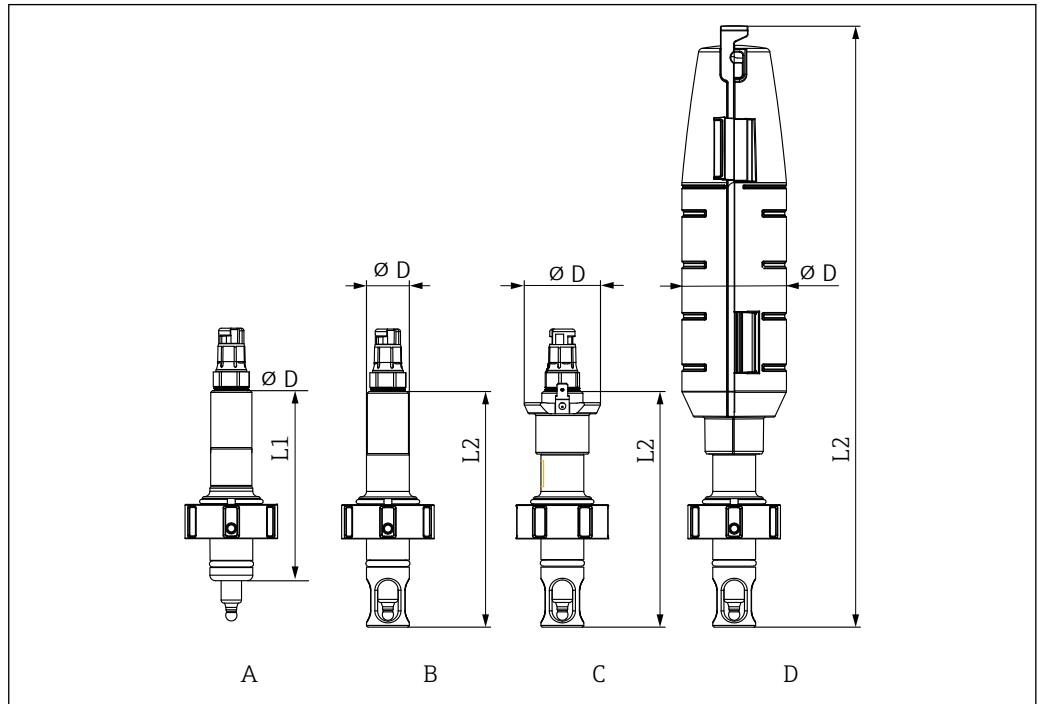
- |   |  |  |
|---|--|--|
| A | Glass pH sensor:   | Installation angle at least 15° from the horizontal              |
| B | ISFET pH sensor, conductivity sensor, oxygen sensor (optical): | No restrictions, recommended 0 to 180°, where buildup can occur. |
| C | Oxygen sensor (amperometric):                                  | Installation angle at least 10° from the horizontal              |

**i** Only operate the CLS82E conductivity sensor with an assembly without sensor protection, to avoid influencing the measuring signal.

**i** COS81E-\*\*\*\*U\*\*\* oxygen sensor (u-shaped spot cap)  
Installation angle is limited to 0° to 180°

## Mechanical construction

### Dimensions

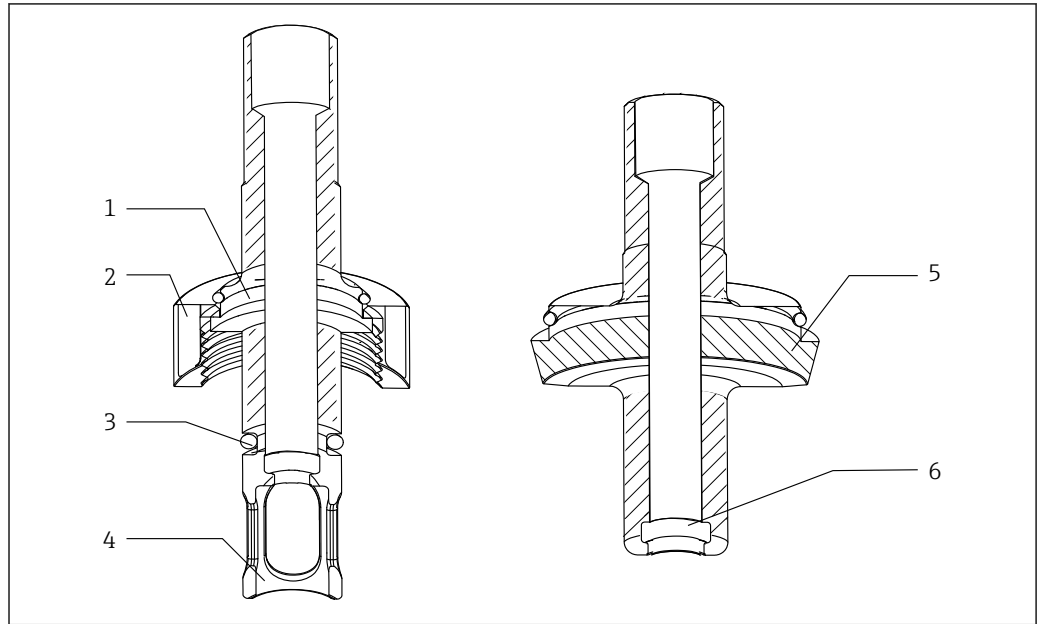


A0034653

3 Dimensions in mm (in)

	A	B	C	D
	Standard	Sensor protection	Sensor protection with PAL	Sensor protection with protection cover
	CPA842-XXXXXX1	CPA842-XXXXXX1+NB	CPA842-XXXXXX1+NANB	CPA842-XXXXXX1+NBNC
no sensor protection L1	110 (4.33)	-	-	-
with sensor protection L2	-	137.5 (5.41)	137.5 (5.41)	351 (13.81)
Diameter D	25 (1)	25 (1)	44.5 (1.75)	61 (2.40)

Design



A0035050

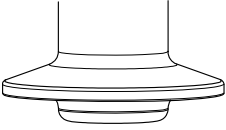
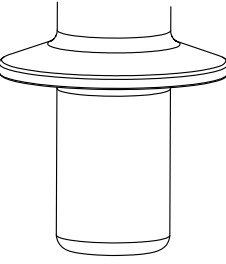
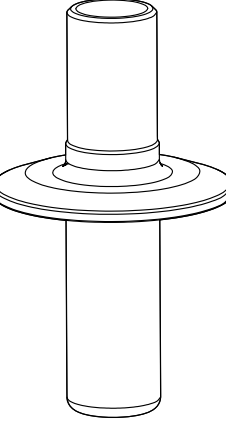
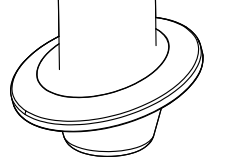
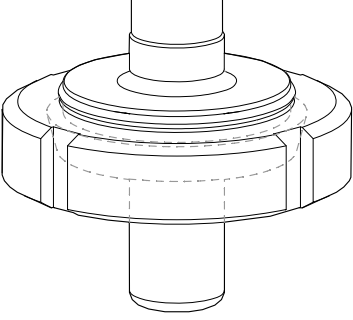
4 Design

- 1 Process connection
- 2 Coupling nut
- 3 O-ring
- 4 Sensor protection
- 5 Process connection
- 6 Molded seal

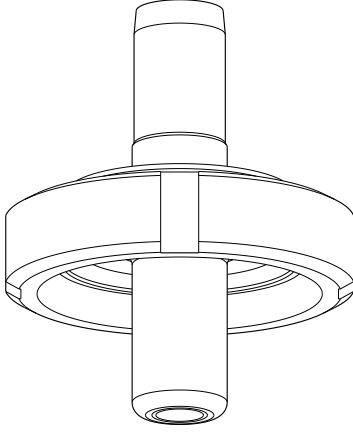
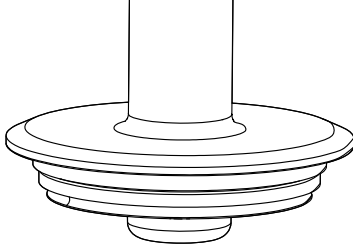
Process connections

Process connection	
DN25 standard	
DN25 B.Braun port	

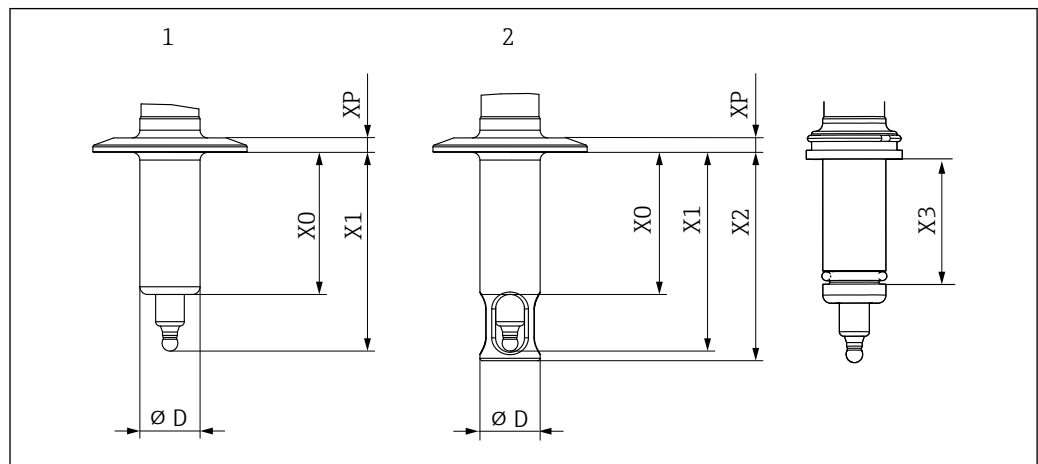
A0043028

Process connection	
<p>Clamp 1.5" short with OD of 50.5 mm (1.99 in)</p> <ul style="list-style-type: none"> <li>▪ Corresponds to NW 38 DIN 32676/ISO 2852</li> <li>▪ Compatible with NovAseptic process connections, pay attention to immersion depths</li> <li>▪ The (pipe) internal diameter of the counterpiece must be greater than 28 mm (1.10 in).</li> </ul>	
<p>Clamp 1.5" long with OD of 50.5 mm (1.99 in)</p> <ul style="list-style-type: none"> <li>▪ Complies with ASME-BPE 2009</li> <li>▪ Complies with DN40 DIN 32676 2001</li> <li>▪ Corresponds to NW 38 DIN 32676/ISO 2852</li> <li>▪ Compatible with NovAseptic process connections, pay attention to immersion depths</li> <li>▪ The (pipe) internal diameter of the counterpiece must be greater than 28 mm (1.10 in).</li> </ul>	
<p>Clamp 2" with OD of 64 mm (2.52 in)</p> <ul style="list-style-type: none"> <li>▪ Complies with ASME-BPE 2009</li> <li>▪ Complies with DN50 DIN 32676 2001</li> <li>▪ Corresponds to NW 51-40 DIN 32676/ISO 2852</li> <li>▪ Compatible with NovAseptic process connections, pay attention to immersion depths</li> </ul>	
<p>Clamp 1.5" angled at 15° with OD of 50.5 mm (1.99 in)</p>	
<p>Dairy fitting DN50 DIN 11851 (EHEDG approval only with seal from Siersema)</p>	

A0043050

<p><b>Process connection</b></p>	
<p>Aseptic DN50 threaded DIN11864-1A (suitable for DIN 11866 Series A pipes)</p>	 <p style="text-align: right;">A0046280</p>
<p>Varivent flange N (DN40 to 125)</p>	 <p style="text-align: right;">A0034979</p>

**Immersion depth**



5 Immersion depth in mm (in)

Process connection	Feature 40	X0	X1	X2	D	XP	X3
DN25 standard	AA	37.5 (1.46)	61 (2.4)	65 (2.6)	25 (1)	11 (0.43)	29 (0.1)
DN25 B.Braun port	AB	57 (2.24)	80.5 (3.17)	84.5 (3.33)	25 (1)	11 (0.43)	49 (0.16)
Clamp 1.5" short	AC	6 (0.24)	29.5 (1.16)	33.5 (1.32)	25 (1)	7 (0.27)	
Clamp 1.5" long	OD	39 (1.53)	62.5 (2.46)	66.5 (2.61)	25 (1)	7 (0.27)	
Clamp 2"	AE	59 (2.23)	82.5 (3.25)	86.5 (3.4)	25 (1)	6 (0.24)	



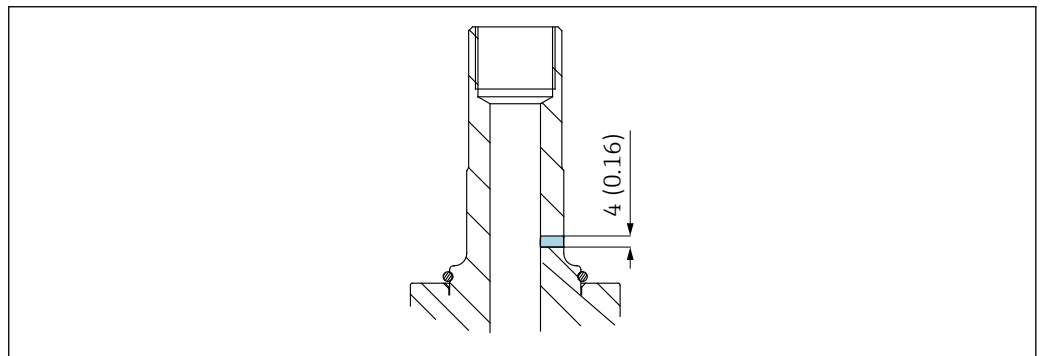
Process connection	Feature 40	X0	X1	X2	D	XP	X3
Clamp 1.5" - angled at 15°	AF	17.8 (0.7)	41.3 (1.63)	--	25 (1)	6 (0.24)	
Dairy fitting DN50	AG	41 (1.61)	64.5 (2.53)	68.5 (2.7)	25 (1)	19.5 (0.77)	
Aseptic DN50 threaded DIN11864-1A	AK	41 (1.61)	64.5 (2.53)	68.5 (2.7)	25 (1)	19.5 (0.77)	
Varivent N 68mm DN40-125	AH	6 (0.24)	29.5 (1.16)	33.5 (1.32)	25 (1)	16.5 (0.65)	

**Leakage monitoring**

Leakage monitoring is part of the order specification for the following variants:

- 3-A (CPA842-\*\*\*\*\*+LB)
- EHEDG (CPA42-\*\*\*\*\*+LC)

It can also be ordered separately (CPA842-\*\*\*\*\* + ND).



A0034691

6 Leakage monitoring

Leakage monitoring (a hole above the process connection) indicates a possible defect in the molded seal that causes medium to escape in small quantities from the monitoring opening. The molded seal must then be replaced.

**i** Leakage monitoring is part of Option 3-A and EHEDG.


**Weight**

Assembly with process connection AA ... 0.3 to 1.4 kg (0.7 to 3.1 lbs) depending on version

AK:

Protection cover: approx. 0.2 kg (0.4 lbs)

**Materials***In contact with medium*

Seals:	Molded seal made of EPDM, FDA-compliant as per 21CFR 177.2600, USP Class VI Molded seal made of FKM, FDA-compliant as per 21CFR 177.2600, USP Class VI O-ring made of silicone, FDA-compliant as per 21CFR 177.2600, USP Class VI Molded seal made of FFKM, FDA-compliant as per 21CFR 177.2600, USP Class VI
Assembly:	Stainless steel 1.4435 (AISI 316 L) (versions available with surface roughness $Ra \leq 0.76 \mu\text{m}$ or $Ra \leq 0.38 \mu\text{m}$ )
Lubricant for seals	Klüber Paraliq GTE703 USP87 Class VI, FDA 21CFR 178.3570, USDA-H1, NSF51, NSF61
 Versions with silicone seals are not greased	

*Not in contact with medium*

Mounted parts:	stainless steel 1.4308 (AISI 304H) or 1.4404 (AISI 316L)
Pal connection:	1.4301
Protection cover:	PP137 conductive

**Environment**

<b>Ambient temperature</b>	-15 to 70 °C (5 to 158 °F)
----------------------------	----------------------------

<b>Storage temperature</b>	-15 to 70 °C (5 to 158 °F)
----------------------------	----------------------------

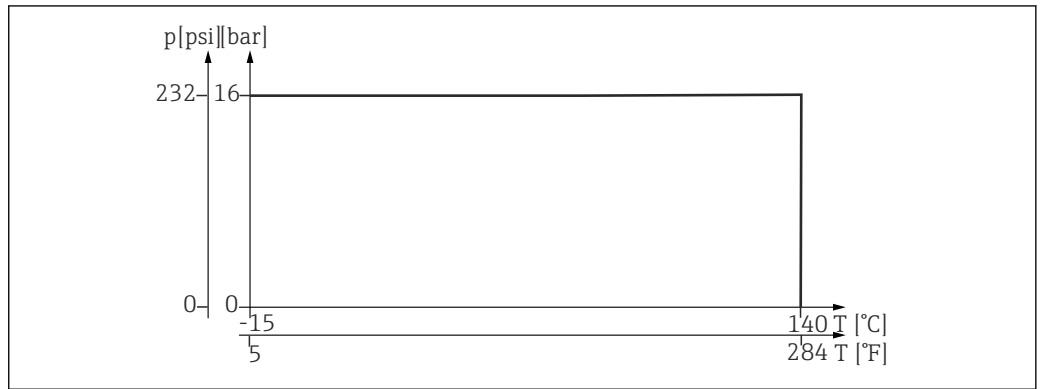
**Process**

<b>Process temperature</b>	Pay attention to electrode specification. -15 to 140 °C (+5 to 280 °F)
----------------------------	---

<b>Pressure</b>	Pay attention to electrode specification. 16 bar (232 psi) up to 140 °C (284 °F)
-----------------	---

<b>Flow velocity</b>	<p><b>NOTICE</b></p> <p><b>Excessively high flow velocities may damage or destroy the sensors.</b></p> <p>► Pay attention to the specification of the installed sensor.</p> <p>To avoid cavitation, flow velocities in the process should be <math>&lt; 7.5 \text{ m/s}</math> (24.6 ft/s) at 1 bar and 20°C (68°F).</p>
----------------------	--

### Pressure-temperature diagram



7 Temperature values for stainless steel 1.4435 (AISI 316 L)

## Certificates and approvals

Current certificates and approvals for the product are available at [www.endress.com](http://www.endress.com) on the relevant product page:

1. Select the product using the filters and search field.
2. Open the product page.
3. Select **Downloads**.

#### ADI-free

No materials or ingredients derived from animals are used during the entire production of all the parts in contact with the process. (certified in pharmaceutical CoC )

#### Biological reactivity (USP Class VI)

The plastic and elastomer product components that are in contact with the medium have passed the biological reactivity tests as per USP <87> and <88> Class VI. (certified in pharmaceutical CoC )

#### EHEDG (optional)

The assembly has been certified in accordance with the requirements of EHEDG TYPE EL Class I (cleanability).

#### ASME BPE

The assembly has been developed according to the ASME BPE 2016 Standard and meets the relevant requirements that are important for an assembly.

#### FDA


All seals in contact with the medium comply with the relevant regulations of the U.S. Food and Drug Administration (FDA). (certified in FDA declaration of conformity and pharmaceutical CoC )

#### Regulation (EC) 1935/2004

The assembly meets the requirements for materials that come into contact with food.

#### 3-A Sanitary (optional)

Meets the requirements of 3-A Sanitary Standards.

 Suitable process connections and seals must be used for hygienic designs as per EHEDG, ASME BPE or 3-A.

#### 3.1 Inspection certificate as per EN 10204 (optional)

This certificate certifies the traceability of the materials used including the pipe material. In addition, if the relevant option is selected when ordering, the delta-ferrite content and the surface roughness are checked from a metrology point of view and specified in the certificate. .

#### cGMP

Compliance with the requirements derived from cGMP

#### DGRL- 2014/68/EU / PED- 2014/68/EU

The assembly has been manufactured according to good engineering practice as per Article 4, Paragraph 3 of the Pressure Equipment Directive 2014/68/EU and is therefore not required to bear the CE label.

#### CRN (optional)

As the assembly can be operated with a nominal pressure greater than 15 psi (approx. 1 bar), it has been registered with a CRN (Canadian Registration Number) in all Canadian provinces in accordance

with CSA B51 ("Boiler, pressure vessel, and pressure piping code"; category F). The CRN can be found on the nameplate.

## Ordering information

Product page [www.endress.com/cpa842](http://www.endress.com/cpa842)

### Product Configurator

1. **Configure:** Click this button on the product page.
  2. Select **Extended selection**.
    - ↳ The Configurator opens in a separate window.
  3. Configure the device according to your requirements by selecting the desired option for each feature.
    - ↳ In this way, you receive a valid and complete order code for the device.
  4. **Accept:** Add the configured product to the shopping cart.
- i** For many products, you also have the option of downloading CAD or 2D drawings of the selected product version.
5. **CAD:** Open this tab.
    - ↳ The drawing window is displayed. You have a choice between different views. You can download these in selectable formats.

### Scope of delivery

The scope of delivery comprises:

- Assembly in the version ordered
- Sensor seal (mounted)
- Process seal (mounted) for process connections: DN25 standard, DN25 B. and Braun port
- Dust caps to protect the Pg 13.5 thread
- Operating Instructions

## Accessories

The following are the most important accessories available at the time this documentation was issued.

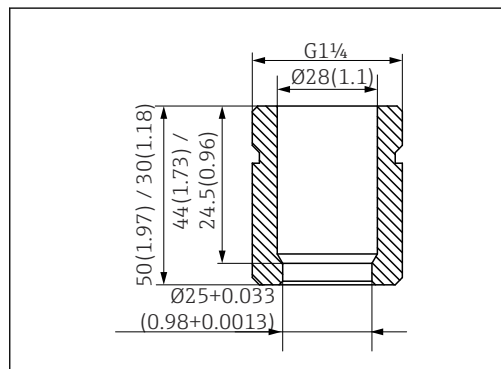
- ▶ For accessories not listed here, please contact your Service or Sales Center.

For more detailed information on the accessories, please refer to the "Spare Part Finding Tool" on the Internet:

[www.endress.com/spareparts\\_consumables](http://www.endress.com/spareparts_consumables)

- i** The product-specific accessories can be ordered via the order structure for CPA842 and the spare parts order structure "XPC0017".

### Installation accessories



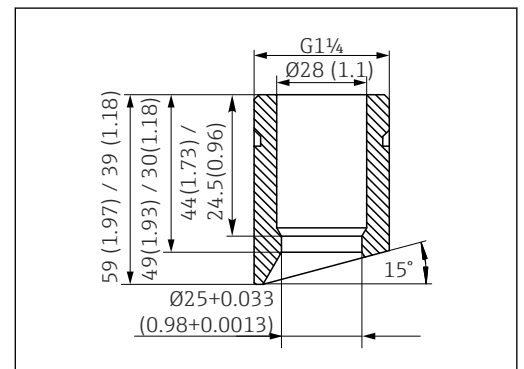
**8** Welding socket, straight, in mm (in)

#### Safety welding socket DN25 (B. Braun)

- Straight, stainless steel 1.4435, L=50
- CPA842-\*\*\*\*\*AB+PL

#### Safety welding socket DN25 (B. Braun)

- Angled, stainless steel 1.4435, L=50/60
- CPA842-\*\*\*\*\*AB+PM



**9** Welding socket, angled, in mm (in)

**Safety welding socket DN25 (standard)**

- Straight, stainless steel 1.4435, L=30
- CPA842-\*\*\*\*\*AA+PI

**Safety welding socket DN25 (standard)**

- Angled, stainless steel 1.4435, L=30/40
- CPA842-\*\*\*\*\*AA+PK

**Dummy plug**

- Dummy plug G1 1/4 DN25 (standard), 316L, FKM-FDA  
CPA842-\*\*\*\*\*AA+PN
- Dummy plug G1 1/4 DN25 (B. Braun), 316L, FKM-FDA  
CPA842-\*\*\*\*\*AB+PO

**Protection cover**

Bend guard for sensor cable, PP conductive

**Sensor**

- Sensor dummy 120mm, 316L, Ra=0.38
- CPA842-\*\*\*\*\*+PQ

**Grease**

- Klüber Paraliq GTE 703 grease (60g)
- CPA842-\*\*\*\*\*+R8

**Seals**

- Kit, seal, wetted, EPDM
- Kit, seal, wetted, FKM
- Kit, FKM seals, DN25 G1 1/4, wetted parts
- Kit, FFKM seals, excl. G1 1/4, wetted parts
- Kit, silicone seals (O-ring)

**Sensors (selection)****Memosens CPS61E**

- pH sensor for bioreactors in life sciences and for the food industry
- Digital with Memosens 2.0 technology
- Product Configurator on the product page: [www.endress.com/cps61e](http://www.endress.com/cps61e)



Technical Information TI01566C

**Memosens CPS11E**

- pH sensor for standard applications in process and environmental engineering
- Digital with Memosens 2.0 technology
- Product Configurator on the product page: [www.endress.com/cps11e](http://www.endress.com/cps11e)



Technical Information TI01493C

**Memosens CPS12E**

- ORP sensor for standard applications in process and environmental engineering
- Digital with Memosens 2.0 technology
- Product Configurator on the product page: [www.endress.com/cps12e](http://www.endress.com/cps12e)



Technical Information TI01494C

**Memosens CPS41E**

- pH sensor for process technology
- With ceramic junction and KCl liquid electrolyte
- Digital with Memosens 2.0 technology
- Product Configurator on the product page: [www.endress.com/cps41e](http://www.endress.com/cps41e)



Technical Information TI01495C

**Memosens CPS76E**

- pH/ORP sensor for process technology
- Digital with Memosens 2.0 technology
- Product Configurator on the product page: [www.endress.com/cps76e](http://www.endress.com/cps76e)



Technical Information TI01601C

**Memosens CPS16E**

- pH/ORP sensor for standard applications in process technology and environmental engineering
- Digital with Memosens 2.0 technology
- Product Configurator on the product page: [www.endress.com/cps16e](http://www.endress.com/cps16e)



Technical Information TI01600C

**Memosens CPS96E**

- pH/ORP sensor for heavily polluted media and suspended solids
- Digital with Memosens 2.0 technology
- Product Configurator on the product page: [www.endress.com/cps96e](http://www.endress.com/cps96e)



Technical Information TI01602C

**Memosens CPS77D**

- Sterilizable and autoclavable ISFET sensor for pH measurement
- Product Configurator on the product page: [www.endress.com/cps77d](http://www.endress.com/cps77d)



Technical Information TI01396

**Memosens COS81E**

- Hygienic optical oxygen sensor with maximum measurement stability over multiple sterilization cycles
- Digital with Memosens 2.0 technology
- Product Configurator on the product page: [www.endress.com/cos81e](http://www.endress.com/cos81e)



Technical Information TI01558C

**Memosens COS22E**

- Hygienic amperometric oxygen sensor with maximum measurement stability over multiple sterilization cycles
- Digital with Memosens 2.0 technology
- Product Configurator on the product page: [www.endress.com/cos22e](http://www.endress.com/cos22e)



Technical Information

**Memosens CLS82E**

- Hygienic conductivity sensor
- Digital with Memosens 2.0 technology
- Product Configurator on the product page: [www.endress.com/cls82e](http://www.endress.com/cls82e)



Technical Information TI01529C

**OUSBT66**

- NIR absorption sensor for the measurement of cell growth and biomass
- Sensor version suitable for pharmaceutical industry
- Product Configurator on the product page: [www.endress.com/ousbt66](http://www.endress.com/ousbt66)



Compatible with versions with OPL 5 and 10 mm



Technical Information TI00469C



71655063

[www.addresses.endress.com](http://www.addresses.endress.com)

---