

Special Documentation

Hygiene certificates

Level and pressure measuring devices



1 Hygiene certificates for level and pressure measuring devices



A0044871

☑ 1 Hygiene approval symbols → 3-A SSI, EHEDG EL, EHEDG ED

- 3-A SSI and EHEDG TYPE EL - Class I: Deltapilot, Cerabar, Ceraphant, Deltabar, Levelflex, Liquicap, Micropilot, Liquiphant, Liquitrend
- 3-A SSI and EHEDG TYPE ED - Class I: Nivector

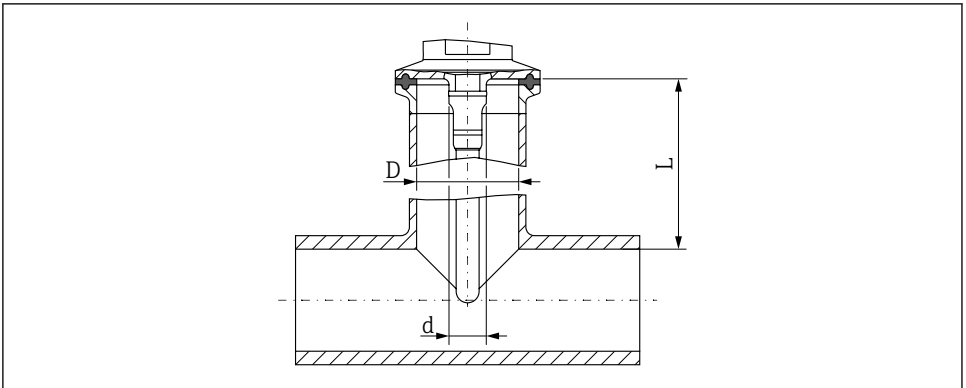
2 Installation instructions

For EHEDG:

- Install the sensors according to the instructions given in EHEDG documents 8, 10 and 37. Mount the sensor, for example, in a self-draining orientation, which means that the angles will be chosen in such a way that liquids can drain completely by gravity alone. In tanks the cleaning device must be positioned in such a way that the sensor is perfectly cleaned.
- If cleaning in place (CIP) is required, process adapters are available that meet the requirements outlined in the EHEDG position paper. If installing horizontally, ensure that the leakage hole points downwards. This ensures that any leaks can be detected as quickly as possible.
- Preferably do not mount on a T-piece because of the difficult to clean dead end. If mounting on a T-piece is unavoidable, please observe the EHEDG installation guidelines for mounting on a T-piece; the ratio between the depth of the T-piece (L) and the diameter (D and d) must be $L/(D-d) < 1$ (see the EHEDG Position Paper). If the sensors are flat, the additional diameter "d" given in the position paper is not applicable; then the ratio must be $L/D < 1$, see drawing.
- In case the sensor is applied in a tank wall the surface must be flush finished.
- Suitable pipe couplings and process connections (including special gaskets/seals) must be applied. For EHEDG applications, these shall be according to the most recent version of the EHEDG Position Paper (see the EHEDG website www.ehedg.org).
- Applied seals must be approved for food contact. For example, they must have an approval according to the applicable legislation.
- The sensors are suitable for cleaning-in-place (CIP) and sterilization-in-place (SIP) without dismantling (class I equipment), so during cleaning, the sensor must not be dismantled. The maximum allowable pressure and temperature for each sensor shall not be exceeded. See the respective "Technical Information" document for specifications.

For 3-A:

- Preferably do not mount on a T-piece because of the difficult to clean dead end. If mounting on a T-piece is unavoidable, please note that the ratio between the depth of the T-piece (L) and the diameter (D and d) must be $L/(D-d) < 2$ in accordance with 3-A Standard 00 - XX. If the sensors are flat, the additional diameter "d" given is not applicable; then the ratio must be $L/D < 2$, see drawing.
- If cleaning in place (CIP) is required, process adapters are available that meet the 3-A requirements. If installing horizontally, ensure that the leakage hole points downwards. This ensures that any leaks can be detected as quickly as possible.
- Mount the sensor in a self-draining orientation, for example, which means that the angles will be chosen in such a way that fluids can be drained completely by gravity alone. In tanks the cleaning device must be positioned in such a way that the sensor is perfectly cleaned.
- Applied seals must be approved for food contact. For example, they must have an approval according to the applicable legislation.
- The sensors are suitable for cleaning-in-place (CIP) and sterilization-in-place (SIP) without dismantling (class I equipment), so during cleaning, the sensor must not be dismantled. The maximum allowable pressure and temperature for each sensor shall not be exceeded. See the respective "Technical Information" document for specifications.
- The wetted materials meet the requirements of FDA and 3-A-Sanitary Standard No. 74-XX. Endress+Hauser confirms this by affixing the 3-A sign to the device.
- For 3-A applications, DIN 11851 connections shall be fitted with suitable gaskets in order to meet the 3-A requirements in Std. 63-XX and CCE Bulletin 2011-3. For instance, the gasket system from Siersema Componenten System (S.K.S.) B.V., the Netherlands, or ASEPTO-STAR k-flex gasket from Kieselmann GmbH, Germany, can be used.



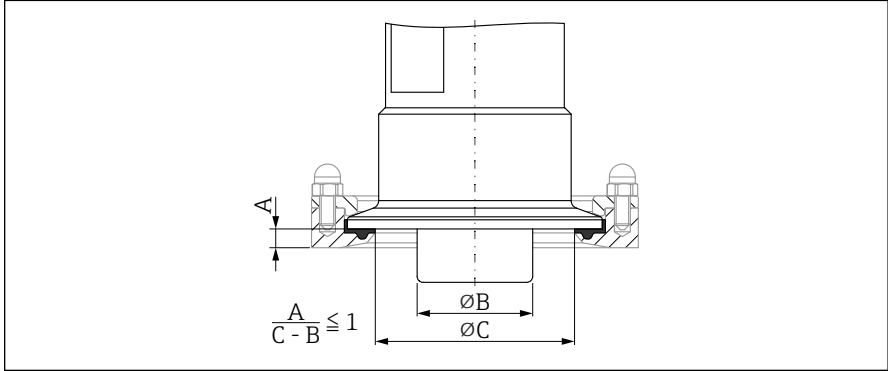
A0041791

2 Relevant information for T-piece installation

Additional information for Nivector FTI26

Installation in a conventional T-piece or in a metal tank nozzle impacts the measuring performance of the sensor.

- ▶ The Tri-Clamp version can be installed for a hygiene-compliant connection, e.g. the NA Connect adapter.
 - ↳ This minimizes dead legs and increases cleanability.



- 3 Installation with Tri-Clamp, which can be ordered as an accessory, and with NA Connect adapter provided by customer

- A Distance between Tri-Clamp and NA Connect adapter
 B Diameter of Nivector
 C Diameter of NA Connect adapter

- Install the sensors according to the directions given in EHEDG documents 8 and 37. For example, mount the sensor in a self-draining orientation, which means that the angles will be chosen in such a way that the product can be drained completely by gravity.
- For EHEDG applications, the Nivector FTI26 is only certified for dry cleaning. Under the described installation conditions, the sensor is cleaned together with the tank.

3 Certified devices

Explanation of the table headers:

- **A:** Option in the product structure
- **B:** Description of the option
- **EHEDG, 3-A:** available ✓, not available -

Deltapilot FMB50, feature 110 "Process connection"

A	B	EHEDG	3-A
MRJ	DIN11851 DN50 PN25 slotted nut, 316L	✓	✓
MZJ	DIN11851 DN40 PN25 slotted nut, 316L	✓	✓
NDJ	DIN11864-1 A DN50 PN16 pipe DIN11866-A, slotted nut, 316L	✓	✓
TDJ	Tri-Clamp ISO2852 DN40-51 (2"), 316L, DIN32676 DN50	✓	✓
TRJ	Varivent N pipe DN40-162 PN40, 316L	✓	✓
UNJ	Universal adapter 44mm 316L, EPDM	✓	✓
UOJ	Universal adapter 44mm 316L, ext. 6", EPDM	✓	✓
S4J	NEUMO BioControl D50 PN16, 316L	-	✓
TXJ	SMS2" PN25, 316L	-	✓
UPJ	Universal adapter 44mm 316L, silicone form seal	-	✓
UQJ	Universal adapter 44mm 316L, ext. 6", silicone form seal	-	✓
USJ	Anderson short 2-3/16", 316L, silicone seal	-	✓
UTJ	Anderson long 6-1/2", 316L, silicone seal	-	✓

Deltapilot FMB50, feature 620 "Accessory enclosed"

A	B	EHEDG	3-A
QT, QU	Weld-in adapter Uni D65, 316L	✓	✓
Q2, Q3	Weld-in adapter Uni D85, 316L	✓	✓
Q5, Q6	Weld-in adapter Uni 6" D85, 316L	✓	✓
RA, R1	Adapter Uni > DIN11851 DN40, 316L, slotted nut	✓	✓
RB, R2	Adapter Uni > DIN11851 DN50, slotted nut	✓	✓
RD, R4	Adapter Uni > Clamp 2", 316L	✓	✓
RE, R5	Adapter Uni > Clamp 3", 316L	✓	✓
RF, R6	Adapter Uni > Varivent N, 316L	✓	✓

Deltapilot FMB70, feature 070 "Process connection"

A	B	EHDG	3-A
M2	DIN11851 DN40 PN25 slotted nut, 316L	✓	✓
M3	DIN11851 DN50 PN25 slotted nut, 316L	✓	✓
ND	DIN11864-1 A DN50 PN16 pipe DIN11866-A, slotted nut, 316L	✓	✓
TD	Tri-Clamp ISO2852 DN40-51 (2"), 316L, DIN32676 DN50	✓	✓
TR	Varivent N pipe DN40-162 PN40, 316L	✓	✓
01	Universal adapter 44mm 316L, EPDM, form seal	✓	✓
58	Universal adapter 44mm 316L, ext. 6", EPDM form seal	✓	✓
S4	NEUMO BioControl D50 PN16, 316L	-	✓
UE	SMS2" PN25, 316L	-	✓
00	Universal adapter 44mm 316L, incl. silicone form seal	-	✓
57	Universal adapter 44mm 316L, ext. 6", incl. silicone form seal	-	✓
60	Anderson short 2-3/16", 316L, incl. silicone seal	-	✓
62	Anderson long 6-1/2", 316L, incl. silicone seal	-	✓

Cerabar PMC51, feature 110 "Process connection"

A	B	EHDG ¹⁾	3-A
MRJ	DIN11851 DN50 PN25 slotted nut, 316L, with seal FDA	✓	✓
MZJ	DIN11851 DN40 PN25 slotted nut, 316L, with seal FDA	✓	✓
NCJ	DIN11864-1 A DN40 PN16 pipe DIN11866-A, slotted nut, 316L, with seal FDA	✓	✓
NDJ	DIN11864-1 A DN50 PN16 pipe DIN11866-A, slotted nut, 316L, with seal FDA	✓	✓
TDJ	Tri-Clamp ISO2852 DN40-51 (2"), 316L, DIN32676 DN50, with seal FDA	✓	✓
TFJ	Tri-Clamp ISO2852 DN76.1 (3"), 316L, with seal FDA	✓	✓
TJJ	Tri-Clamp ISO2852 DN38 (1-1/2"), 316L, DIN32676 DN40	✓	✓
TMJ	APV-Inline DN50 PN40, 316L, with seal FDA	✓	-
TQJ	Varivent F pipe DN25-32 PN40, 316L, with seal FDA	✓	✓
TRJ	Varivent N pipe DN40-162 PN40, 316L, with seal FDA	✓	✓
S4J	NEUMO BioControl D50 PN16, 316L, with seal FDA	-	✓
TXJ	SMS 1-1/2" PN25, 316L	-	✓
T7J	SMS 2" PN25, 316L	-	✓
UPJ	Universal adapter 44mm 316L, silicone form seal, with seal FDA	-	✓
UNJ	Universal adapter 44mm 316L, EPDM form seal	-	✓

1) Only in conjunction with feature 190 - option B

Cerabar PMC71, feature 070 "Process connection"

A	B	EHEDG ¹⁾	3-A ²⁾
MP	DIN11851 DN40 PN25, 316L, flush mount, slotted nut	✓	✓
MR	DIN11851 DN50 PN25, 316L, flush mount, slotted nut	✓	✓
TD	Tri-Clamp ISO2852 DN51 (2"), 316L, flush mount	✓	✓
TF	Tri-Clamp ISO2852 DN76.1 (3"), 316L, flush mount	✓	✓
TJ	Tri-Clamp ISO2852 DN38 (1-1/2"), flush mount	✓	✓
TR	Varivent N pipe DN40-162 PN40, 316L, flush mount	✓	✓

1) Only in conjunction with feature 080 - option G

2) Only in conjunction with feature 080 - option B, F, G

Cerabar PMP23, feature 110 "Process connection"

A	B	EHEDG	3-A
WSJ	Thread ISO228 G1 seal O-ring, 316L, flush mount, adapter	✓	✓
X2J	Thread M24, 316L, seal EPDM	✓	✓
X3J	Thread M24, 316L, seal FKM	-	✓
1DJ	DIN11851 DN50 PN25, 316L	✓	✓
1GJ	DIN11851 DN25 PN40, 316L	✓	✓
1JJ	DIN11851 DN40 PN40, 316L	✓	✓
3AJ	Clamp ISO2852 DN22, 316L, DIN32676 DN20	✓	✓
3CJ	Tri-Clamp ISO2852 DN25-38 (1-1/2"), DIN32676 DN25-38	✓	✓
3EJ	Tri-Clamp ISO2852 DN40-51 (2"), DIN32676 DN50	✓	✓
4QJ	SMS 1-1/2" PN25, 316L	-	✓
41J	Varivent F pipe DN25-32 PN40, 316L	✓	✓
42J	Varivent N pipe DN40-162 PN40, 316L	✓	✓
52J	Universal adapter 44mm 316L, EPDM form seal	-	✓

Cerabar PMP43, feature 110 "Process connection"

A	B	EHEDG	3-A
1DJ	DIN11851 DN50 PN25 slotted nut, 316L	✓	✓
1FJ	DIN11851 DN80 PN25 slotted nut, 316L	✓	
1GJ	DIN11851 DN25 PN40 slotted nut, 316L	✓	✓
1HJ	DIN11851 DN32 PN40 slotted nut, 316L	✓	-
1JJ	DIN11851 DN40 PN40 slotted nut, 316L	✓	✓

A	B	EHEDG	3-A
3AJ	Clamp ISO2852 DN18-22, 316L, DIN32676 DN15-20, NA Connect-compatible	✓	✓
3BJ	Tri-Clamp ISO2852 DN25 (1"), 316L, DIN32676 DN40, NA Connect-compatible	✓	-
3CJ	Tri-Clamp ISO2852 DN25-38 (1-1/2"), 316L, DIN32676 DN40, NA Connect-compatible	✓	✓
3EJ	Tri-Clamp ISO2852 DN40-51 (2"), 316L, DIN32676 DN50, NA Connect-compatible	✓	✓
3FJ	Tri-Clamp ISO2852 DN76.1 (3"), 316L, NA Connect-compatible	✓	-
3JJ	Tri-Clamp ISO2852 DN63.5 (2-1/2"), 316L, NA Connect-compatible	✓	-
41J	Varivent F pipe DN25-32 PN40, 316L	✓	✓
42J	Varivent N pipe DN40-162 PN40, 316L	✓	✓
45J	IFM Aseptoflex O-Ring EHEDG	✓	-
4QJ	SMS 1-1/2" PN40, 316L	-	✓
50J	Universal adapter 44mm 316L, EPDM seal	✓	-
52J	Universal adapter 44mm 316L, incl. silicone form seal	-	✓
WSJ	Thread ISO228 G1, 316L, install > accessory weld-in adapter	✓	✓

Cerabar PMP51, feature 110 "Process connection"

A	B	EHEDG	3-A
GZJ	Thread ISO228 G1 O-ring groove	-	✓
MIJ	DIN11851 DN32 PN40 slotted nut, 316L	✓	✓
MRJ	DIN11851 DN50 PN25 slotted nut, 316L	✓	✓
MXJ	DIN11851 DN25 PN40 slotted nut, 316L	✓	✓
MZJ	DIN11851 DN40 PN40 slotted nut, 316L	✓	✓
S1J	NEUMO BioControl D25 PN16, 316L	-	✓
S4J	NEUMO BioControl D50 PN16, 316L	-	✓
TBJ	Clamp ISO2852 DN18-22, 316L	✓	✓
TCJ	Tri-Clamp ISO2852 DN25 (1"), 316L	✓	✓
TDJ	Tri-Clamp ISO2852 DN40-51 (2"), 316L	✓	✓
TJJ	Tri-Clamp ISO2852 DN38 (1-1/2"), 316L	-	✓
TPJ	Varivent B pipe DN10-15 PN40, 316L	-	✓
TQJ	Varivent F pipe DN25-32 PN40, 316L	✓	✓
TRJ	Varivent N pipe DN40-162 PN40, 316L	-	✓
TXJ	SMS 2" PN25, 316L	-	✓
T6J	SMS 1" PN25, 316L	-	✓
T7J	SMS 1-1/2" PN25, 316L	-	✓

Cerabar PMP55, feature 110 "Process connection"

A	B	EHEDG	3-A
MJ	DIN11851 DN32 PN40 slotted nut, 316L	✓	✓
MRJ	DIN11851 DN50 PN25 slotted nut, 316L	✓	✓
MSJ	DIN11851 DN25 PN40 slotted nut, 316L	✓	✓
MTJ	DIN11851 DN40 PN40 slotted nut, 316L	✓	✓
MZJ	DIN11851 DN40 PN40 slotted nut, 316L	✓	✓
NCJ	DIN11864-1 A DN40 PN40 pipe DIN11866-A, slotted nut, 316L	✓	✓
NDJ	DIN11864-1 A DN50 PN25 pipe DIN11866-A, slotted nut, 316L	✓	✓
NFJ	DIN11864-2 A DN32 PN16 pipe DIN11866-A, flange with notch, 316L	✓	✓
NXJ	DIN11864-2 A DN40 PN16 pipe DIN11866-A, flange with notch, 316L	✓	✓
NZJ	DIN11864-2 A DN50 PN16 pipe DIN11866-A	✓	✓
SBJ	Tri-Clamp ISO2852 DN25 (1") inline seal, 316L,	-	✓
SCJ	Tri-Clamp ISO2852 DN38 (1-1/2") inline seal, Pressure Equipment Directive Cat.II	-	✓
SDJ	Tri-Clamp ISO2852 DN51 (2") inline seal, 316L, Pressure Equipment Directive Cat.II	-	✓
SIJ	Tri-Clamp ISO2852 DN10 (3/4") inline seal, 316L	-	✓
S4J	NEUMO BioControl D50 PN16, 316L	-	✓
S6J	NEUMO BioControl D80 PN16, 316L	-	✓
TCJ	Tri-Clamp ISO2852 DN25 (1"), 316L, DIN32676 DN25, ASME-BPE	✓	✓
TDJ	Tri-Clamp ISO2852 DN40-51 (2"), 316L, DIN32676 DN50, ASME-BPE	✓	✓
TEJ	Tri-Clamp ISO2852 DN63.5 (2-1/2"), 316L, ASME-BPE	✓	✓
TFJ	Tri-Clamp ISO2852 DN76.1 (3"), 316L, ASME-BPE	✓	✓
TJJ	Tri-Clamp ISO2852 DN38 (1-1/2"), 316L, DIN32676 DN40, ASME-BPE	-	✓
TQJ	Varivent F pipe DN25-32 PN40, 316L	✓	✓
TRJ	Varivent N pipe DN40-162 PN40, 316L	-	✓
TXJ	SMS 2" PN25, 316L	-	✓
T6J	SMS 1" PN25, 316L	-	✓
T7J	SMS 1-1/2" PN25, 316L	-	✓
UPJ	Universal adapter 44mm 316L	-	✓

Cerabar PMP75, feature 070 "Process connection"

A	B	EHEDG	3-A
MI	DIN11851 DN32 PN40 slotted nut, 316L	✓	✓
MR	DIN11851 DN50 PN25 slotted nut, 316L	✓	✓

A	B	EHDG	3-A
MS	DIN11851 DN65 PN25 slotted nut, 316L	✓	✓
MT	DIN11851 DN80 PN25 slotted nut, 316L	✓	✓
MZ	DIN11851 DN40 PN40 slotted nut, 316L	✓	✓
SB	Tri-Clamp ISO2852 DN25 (1") inline seal, 316L	-	✓
SC	Tri-Clamp ISO2852 DN38 (1-1/2") inline seal, Pressure Equipment Directive Cat.II	-	✓
SD	Tri-Clamp ISO2852 DN51 (2") inline seal, 316L, Pressure Equipment Directive Cat.II	-	✓
S4	NEUMO BioControl D50 PN16, 316L	-	✓
S6	NEUMO BioControl D80 PN16, 316L	-	✓
TB	Tri-Clamp ISO2852 DN25 (1"), 316L	✓	✓
TC	Tri-Clamp ISO2852 DN38 (1-1/2"), 316L, DIN32676 DN25	✓	✓
TD	Tri-Clamp ISO2852 DN51 (2"), 316L, DIN32676 DN25	✓	✓
TE	Tri-Clamp ISO2852 DN63.5 (2-1/2"), 316L	✓	✓
TF	Tri-Clamp ISO2852 DN76.1 (3"), 316L	✓	✓
TG	SMS 1" PN25, 316L	-	✓
TH	SMS 1-1/2" PN25, 316L	-	✓
TI	SMS 2" PN25, 316L	-	✓
TR	Varivent N pipe DN40-162 PN40, 316L	-	✓
TU	Varivent F pipe DN25-32 PN40, 316L	-	✓
00	Universal adapter 44mm 316L, incl. silicone form seal	-	✓

Ceraphant PTP33B, feature 110 "Process connection"

A	B	EHDG	3-A
WSJ	Thread ISO228 G1 seal O-ring, 316L, flush mount, adapter	✓	✓
X2J	Thread M24, 316L, seal EPDM	✓	✓
X3J	Thread M24, 316L, seal FKM	-	✓
1DJ	DIN11851 DN50 PN25, 316L	✓	✓
1GJ	DIN11851 DN25 PN40, 316L	✓	✓
1JJ	DIN11851 DN40 PN40, 316L	✓	✓
3AJ	Clamp ISO2852 DN22, 316L	✓	✓
3CJ	Tri-Clamp ISO2852 DN25-38 (1-1/2"), DIN32676 DN25-38	✓	✓
3EJ	Tri-Clamp ISO2852 DN40-51 (2"), DIN32676 DN50	✓	✓
4QJ	SMS 1-1/2" PN25, 316L	-	✓

A	B	EHEDG	3-A
41J	Varivent F pipe DN25-32 PN40, 316L	✓	✓
42J	Varivent N pipe DN40-162 PN40, 316	✓	✓

Deltabar FMD71, feature 110 and 115 "Process connection"

A	B	EHEDG ¹⁾	3-A
MRJ	DIN11851 DN50 PN25 slotted nut, 316L, with seal FDA	✓	✓
MZJ	DIN11851 DN40 PN25 slotted nut, 316L, with seal FDA	✓	✓
NCJ	DIN11864-1 A DN40 PN16 pipe DIN11866-A, slotted nut, 316L, with seal FDA	✓	✓
NDJ	DIN11864-1 A DN50 PN16 pipe DIN11866-A, slotted nut, 316L, with seal FDA	✓	✓
TDJ	Tri-Clamp ISO2852 DN40-51 (2"), 316L, DIN32676 DN50, with seal FDA	✓	✓
TFJ	Tri-Clamp ISO2852 DN76.1 (3"), 316L, with seal FDA	✓	✓
TMJ	APV-Inline DN50 PN40, 316L, with seal FDA	✓	-
TQJ	Varivent F pipe DN25-32 PN40, 316L, with seal FDA	✓	✓
TRJ	Varivent N pipe DN40-162 PN40, 316L, with seal FDA	✓	✓
S4J	NEUMO BioControl D50 PN16, 316L, with seal FDA	-	✓
UNJ	Universal adapter 44mm 316L, EPDM form seal	-	✓
UPJ	Universal adapter 44mm 316L, silicone form seal, with seal FDA	-	✓

1) Only in conjunction with feature 190 - option B

Deltabar FMD72, feature 110 "Process connection"

A	B	EHEDG	3-A
M1J	DIN11851 DN32 PN40 slotted nut, 316L	✓	✓
MRJ	DIN11851 DN50 PN25 slotted nut, 316L	✓	✓
MXJ	DIN11851 DN25 PN40 slotted nut, 316L	✓	-
MZJ	DIN11851 DN40 PN40 slotted nut, 316L	✓	✓
S1J	NEUMO BioControl D25 PN16, 316L	-	✓
S4J	NEUMO BioControl D50 PN16, 316L	-	✓
TBJ	Clamp ISO2852 DN18-22, 316L, DIN32676 DN15-20, ASME-BPE	✓	✓
TCJ	Tri-Clamp ISO2852 DN25 (1"), 316L, DIN32676 DN25, ASME-BPE	✓	✓
TDJ	Tri-Clamp ISO2852 DN40-51 (2"), 316L, DIN32676 DN50, ASME-BPE	✓	✓
TJJ	Tri-Clamp ISO2852 DN38 (1-1/2"), 316L, DIN32676 DN40, ASME-BPE	✓	✓
TMJ	APV-Inline DN50 PN40, 316L	✓	-
TPJ	Varivent B pipe DN10-15 PN40, 316L	✓	✓

A	B	EHDG	3-A
TQJ	Varivent F pipe DN25-32 PN40, 316L	✓	✓
TRJ	Varivent N pipe DN40-162 PN40, 316L	✓	✓
TXJ	SMS 2" PN25, 316L	-	✓
T6J	SMS 1" PN25, 316L	-	✓
T7J	SMS 1-1/2" PN25, 316L	-	✓

Deltabar FMD78, feature 080 "Process connection"

A	B	EHDG	3-A
MR	DIN11851 DN50 PN25 slotted nut, 316L	✓	✓
MS	DIN11851 DN65 PN25 slotted nut, 316L	✓	✓
MT	DIN11851 DN80 PN25 slotted nut, 316L	✓	✓
MZ	DIN11851 DN40 PN40 slotted nut, 316L	✓	✓
S4	NEUMO BioControl D50 PN16, 316L	-	✓
S6	NEUMO BioControl D80 PN16, 316L	-	✓
TC	Tri-Clamp ISO2852 DN38 (1-1/2"), 316L, DIN32676 DN40	✓	✓
TD	Tri-Clamp ISO2852 DN51 (2"), 316L	✓	✓
TE	Tri-Clamp ISO2852 DN63.5 (2-1/2"), 316L	✓	✓
TF	Tri-Clamp ISO2852 DN76.1 (3"), 316L	✓	✓
TH	SMS 1-1/2" PN25, 316L	-	✓
TI	SMS 2" PN25, 316L	-	✓
TR	Varivent N pipe DN40-162 PN40, 316L	-	✓
TU	Varivent F pipe DN25-32 PN40, 316L	-	✓
WH	Sanitary Tank Spud, 316L, 2" barrel	-	✓
00	Universal adapter 44mm 316L, incl. silicone form seal	-	✓

Deltabar FMD78, feature 640 "Alternative process connection"

A	B	EHDG	3-A
TP	DIN11851 DN32 PN40 slotted nut, 316L,	-	✓
TR	DIN11851 DN50 PN25 slotted nut, 316L	✓	✓
TS	DIN11851 DN65 PN25 slotted nut, 316L	✓	✓
TT	DIN11851 DN80 PN25 slotted nut, 316L	✓	✓
TU	DIN11851 DN40 PN40 slotted nut, 316L	✓	✓
TV	NEUMO BioControl D50 PN16, 316L	-	✓

A	B	EHEDG	3-A
TW	NEUMO BioControl D80 PN16, 316L	-	✓
UA	Tri-Clamp ISO2852 DN25 (1"), 316L, DIN32676 DN25	-	✓
UB	Tri-Clamp ISO2852 DN38 (1-1/2"), 316L, DIN32676 DN40	✓	✓
UC	Tri-Clamp ISO2852 DN51 (2"), 316L	✓	✓
UD	Tri-Clamp ISO2852 DN63.5 (2-1/2"), 316L, ASME-BPE	✓	✓
UE	Tri-Clamp ISO2852 DN76.1 (3"), 316L	✓	✓
UF	SMS 1-1/2" PN25, 316L	-	✓
UG	SMS 2" PN25, 316L	-	✓
UK	Varivent F pipe DN25-32 PN40, 316L	-	✓
UT	Universal adapter 44mm 316L, incl. silicone form seal	-	✓

Levelflex FMP52, feature 100 "Process connection"

A	B	EHEDG	3-A
TAK	Tri-Clamp ISO2852 DN40-51 (2"), PTFE>316L	-	✓
TLK	Tri-Clamp ISO2852 DN70-76.1 (3"), PTFE>316L	-	✓
TNK	Tri-Clamp ISO2852 DN38 (1-1/2"), PTFE>316L	-	✓

Levelflex FMP53, feature 100 "Process connection"

A	B	EHEDG	3-A
MAJ	DIN11864-1 A DN25 pipe DIN11866-A, slotted nut, 316L	-	✓
MDJ	DIN11864-1 A DN50 pipe DIN11866-A, slotted nut, 316L	-	✓
MOJ	DIN11851 DN50 PN40 slotted nut, 316L	-	✓
MPJ	DIN11851 DN50 PN40 slotted nut, 316L	✓	-
MQJ	DIN11851 DN40 PN40 slotted nut, 316L	-	✓
MRJ	DIN11851 DN40 PN40 slotted nut, 316L	✓	-
S1J	NEUMO BioControl D25 PN16, 316L	-	✓
S4J	NEUMO BioControl D50 PN16, 316L	-	✓
S6J	NEUMO BioControl D80 PN16, 316L	-	✓
TDJ	Tri-Clamp ISO2852 DN40-51 (2"), 316L	-	✓
TEJ	Tri-Clamp ISO2852 DN40-51 (2"), 316L	✓	-
TFJ	Tri-Clamp ISO2852 DN70-76.1 (3"), 316L	-	✓
TGJ	Tri-Clamp ISO2852 DN70-76.1 (3"), 316L	✓	-
TOJ	Tri-Clamp ISO2852 DN25-38 (1 to 1-1/2")	-	✓

A	B	EHEDG	3-A
TPJ	Tri-Clamp ISO2852 DN25-38 (1 to 1-1/2")	✓	-
TSJ	Varivent N pipe DN40-162 PN16, 316L	-	✓
TXJ	SMS 2" PN25, 316L	-	✓
T7J	SMS 1-1/2" PN25, 316L	-	✓
UIJ	Thread M24, 316L, install > accessory weld-in adapter	✓	✓

Liquicap FMI51, feature 050 "Process connection"

For feature 020 "Inactive length L3": only option 1			
A	B	EHEDG	3-A ¹⁾
10mm rod, feature 030 "Active length L1; insulation": only options A, H			
GQJ	Thread ISO228 G3/4, 316L, install > accessory weld-in adapter, 25 bar	✓	✓
GWJ	Thread ISO228 G1, 316L, install > accessory weld-in adapter, 25 bar	✓	✓
TJJ	Tri-Clamp ISO2852 DN38 (1 1/2"), 316L	✓	✓
MRJ	DIN11851 DN50 PN40 slotted nut, 316L	✓	✓
TCJ	Tri-Clamp ISO 2852 DN25 (1"), 316L	✓	✓
16mm rod; PTFE, feature 030 "Active length L1; insulation": only options B, K			
TNK	Tri-Clamp ISO2852 DN38 (1-1/2"), PTFE>316L	✓	✓
16mm rod; PFA, feature 030 "Active length L1; insulation": only options D, N			
TDK	Tri-Clamp ISO2852 DN40-51 (2"), PTFE>316L	-	✓
TJK	Tri-Clamp ISO2852 DN38 (1-1/2"), PTFE>316L	-	✓
TNJ	Tri-Clamp ISO2852 DN38 (1 1/2"), 316L, removable clamp	-	✓
TAK	Tri-Clamp ISO2852 DN40-51 (2"), PTFE>316	✓ ²⁾	-

- 1) For feature 010 "Approval": except options V, W
 2) Only in conjunction with feature 010 "Approval", options A, B, N, U

Liquicap FMI52, feature 050 "Process connection"

For feature 020 "Inactive length L3": only option 1			
A	B	EHEDG	3-A ¹⁾
TCJ	Tri-Clamp ISO 2852 DN25 (1"), 316L	-	✓
TDK	Tri-Clamp ISO2852 DN40-51 (2"), PTFE>316L	-	✓
TJK	Tri-Clamp ISO2852 DN38 (1-1/2"), PTFE>316L	-	✓

- 1) For feature 010 "Approval": except options V, W

Liquicap FTI51, feature 050 "Process connection"

For feature 020 "Inactive length L3": only option A			
For feature 040 "Insulation": only option 1			
A	B	EHEDG	3-A ¹⁾
10mm rod; feature 030 "Active length L1; insulation": only options A, H			
GQJ	Thread ISO228 G3/4, 316L, install > accessory weld-in adapter, 25 bar	✓	✓
GWJ	Thread ISO228 G1, 316L, install > accessory weld-in adapter, 25 bar	✓	✓
TJJ	Tri-Clamp ISO2852 DN38 (1 1/2"), 316L	✓	✓
MRJ	DIN11851 DN50 PN40 slotted nut, 316L	-	✓
TCJ	Tri-Clamp ISO 2852 DN25 (1"), 316L	✓	✓
16mm rod; PTFE, feature 030 "Active length L1; insulation": only options B, K			
TNK	Tri-Clamp ISO2852 DN38 (1-1/2"), PTFE>316L	-	✓
16mm rod; PFA, feature 030 "Active length L1; insulation": only options D, N			
TDK	Tri-Clamp ISO2852 DN40-51 (2"), PTFE>316L	-	✓
TJK	Tri-Clamp ISO2852 DN38 (1-1/2"), PTFE>316L	-	✓
TNJ	Tri-Clamp ISO2852 DN38 (1 1/2"), 316L, removable clamp	-	✓
TAK	Tri-Clamp ISO2852 DN40-51 (2"), PTFE>316	✓ ²⁾	-
TNK	Tri-Clamp ISO2852 DN38 (1-1/2"), PTFE>316L	✓ ²⁾	-

- 1) Feature 010 "Approval": except options V, W, X
 2) Only in conjunction with feature 010 "Approval", only options A, B, N, U

For feature 020 "Inactive length L3": only option C			
For feature 040 "Insulation": only option 1			
A	B	EHEDG	3-A ¹⁾
14mm rod, feature 030 "Active length L1; insulation": only options 1, T			
GWJ	Thread ISO228 G1, 316L, install > accessory weld-in adapter, 25 bar	✓	✓
TJJ	Tri-Clamp ISO2852 DN38 (1 1/2"), 316L	✓	✓
TDJ	Tri-Clamp ISO2852 DN40-51 (2")	✓	-
MRJ	DIN11851 DN50 PN40 slotted nut, 316L	✓	✓
UPJ	Universal adapter 44mm 316L, 16bar	✓	✓
TDK	Tri-Clamp ISO2852 DN40-51 (2"), PTFE>316L	-	✓
TJK	Tri-Clamp ISO2852 DN38 (1-1/2"), PTFE>316L	-	✓
TCJ	Tri-Clamp ISO 2852 DN25 (1"), 316L	-	✓

For feature 020 "Inactive length L3": only option C For feature 040 "Insulation": only option 1			
A	B	EHEDG	3-A¹⁾
TAK	Tri-Clamp ISO2852 DN40-51 (2"), PTFE>316	✓ ²⁾	-
TNK	Tri-Clamp ISO2852 DN38 (1-1/2"), PTFE>316L	✓ ²⁾	-

1) Feature 010 "Approval": except options V, W, X

2) Only in conjunction with feature 010 "Approval", only options A, B, N, U

Liquicap FTI52, feature 050 "Process connection"

For feature 020 "Inactive length L3": only option A For feature 040 "Insulation": only option 1			
A	B	EHEDG	3-A¹⁾
TCJ	Tri-Clamp ISO 2852 DN25 (1"), 316L	-	✓
TJJ	Tri-Clamp ISO2852 DN38 (1-1/2"), 316L	-	-

1) Feature 010 "Approval": except options V, W, X

Micropilot FMR43, feature 110 "Process connection"

A	B	EHEDG	3-A
X2J	M24, 316L install > accessory, process adapter	✓	✓
3CK	Tri-Clamp ISO2852 DN25-38 (1-1/2"), PTFE>316L, NA Connect-compatible	-	✓
3EK	Tri-Clamp ISO2852 DN40-51 (2"), PTFE>316L, NA Connect-compatible	✓	✓
5DK	NEUMO BioControl D50 PN16, PEEK>316L	✓	✓

Micropilot FMR52, feature 100 "Process connection"

A	B	EHEDG	3-A
TDK	Tri-Clamp ISO2852 DN51 (2"), PTFE>316L	-	✓
TFK	Tri-Clamp ISO2852 DN70-76.1 (3"), PTFE>316L	-	✓
THK	Tri-Clamp ISO2852 DN101.6 (4"), PTFE>316L	-	✓
TEK	Tri-Clamp ISO2852 DN51 (2"), PTFE>316L	✓	-
TGK	Tri-Clamp ISO2852 DN70-76.1 (3"), PTFE>316L	✓	-
TIK	Tri-Clamp ISO2852 DN101.6 (4"), PTFE>316L	✓	-

Micropilot FMR62, feature 100 "Process connection"

A	B	EHEDG	3-A
MRK	DIN11851 DN50 PN25 slotted nut, PTFE>316L	-	✓
MTK	DIN11851 DN80 PN25 slotted nut, PTFE>316L	-	✓
TDK	Tri-Clamp ISO2852 DN51 (2"), PTFE>316L	✓	✓
TFK	Tri-Clamp ISO2852 DN70-76.1 (3"), PTFE>316L	✓	✓
THK	Tri-Clamp ISO2852 DN101.6 (4"), PTFE>316L	✓	✓
U2J	Thread M24, 316L	✓	✓

Micropilot FMR63B, feature 110 "Process connection"

A	B	EHEDG	3-A
X2J	M24, 316L install > accessory, process adapter	✓	✓
1DK	DIN11851 DN50 PN25, PTFE>316L	-	✓
1FK	DIN11851 DN80 PN25, PTFE>316L	-	✓
3EK	Tri-Clamp ISO2852 DN40-51 (2"), PTFE>316L, NA Connect-compatible	✓	✓
3FK	Tri-Clamp ISO2852 DN70-76.1 (3"), PTFE>316L, NA Connect-compatible	✓	✓
3HK	Tri-Clamp ISO2852 DN101.6 (4"), PTFE>316L, NA Connect-compatible	✓	✓
43K	Varivent N pipe DN65-162 PN20, PEEK>316L	✓	✓
5AK	NEUMO BioControl D25 PN16, PEEK>316L	✓	✓
5DK	NEUMO BioControl D50 PN16, PEEK>316L	✓	✓

Liquiphant FTL33, feature 110 "Process connection"

A	B	EHEDG	3-A
WSJ	Thread ISO228 G1, 316L, install > accessory weld-in adapter	✓	✓
W5J	Thread ISO228 G3/4, 316L, install > accessory weld-in adapter	✓	✓
X2J	Thread M24, 316L install > accessory adapter	✓	✓
1GJ	DIN11851 DN25 PN40 w/o slotted nut, 316L	✓	✓
1HJ	DIN11851 DN32 PN40 w/o slotted nut, 316L	✓	✓
1JJ	DIN11851 DN40 PN40 w/o slotted nut, 316L	✓	✓
3CJ	Tri-Clamp ISO2852 DN25-38 (1 to 1-1/2"), DIN32676 DN25-40	✓	✓
3EJ	Tri-Clamp ISO2852 DN40-51 (2"), 316L, DIN32676 DN50	✓	✓
5ZJ	Flush mount, 316L, w/o slotted nut, install > accessory weld-in adapter	✓	✓

Liquiphant FTL43, feature 110 "Process connection"

A	B	EHDG	3-A
1BJ	DIN11851 DN32 PN25 slotted nut, 316L	✓	✓
1CJ	DIN11851 DN40 PN25 slotted nut, 316L	✓	✓
1DJ	DIN11851 DN50 PN25 slotted nut, 316L	✓	✓
1RJ	DIN11864-1 A DN50 pipe DIN11850, slotted nut, 316L	✓	✓
3CJ	Tri-Clamp ISO2852 DN25-38 (1 to 1-1/2"), 316L, DIN32676 DN25-40, NA Connect-compatible	✓	✓
3EJ	Tri-Clamp ISO2852 DN40-51 (2"), 316L, DIN32676 DN50, NA Connect-compatible	✓	✓
41J	Varivent F pipe DN25-32 PN40, 316L	✓	✓
43J	Varivent N pipe DN65-162 PN10, 316L	✓	✓
4RJ	SMS 2" PN25, 316L	-	✓
5ZJ	Flush mount, 316L, install > accessory weld-in adapter	✓	✓

Liquiphant FTL50H, FTL51H, feature 020 "Process connection"

A	B	EHDG	3-A
EE2	Flush mount, 316L, install > accessory weld-in adapter	✓	✓
HE2	DIN11864-1 A DN50 pipe DIN11850, slotted nut, 316L	✓	✓
MA2	DIN11851 DN32 PN25 slotted nut, 316L	✓	✓
MC2	DIN11851 DN40 PN25 slotted nut, 316L	✓	✓
ME2	DIN11851 DN50 PN25 slotted nut, 316L	✓	✓
TC2	Tri-Clamp ISO2852 DN25-38 (1 to 1-1/2"), 316L	✓	✓
TD2	Tri-Clamp ISO2852, DN25-38 (1 to 1-1/2"), 316L, NA Connect-compatible	✓	✓
TE2	Tri-Clamp ISO2852 DN40-51 (2"), 316L	✓	✓
TF2	Tri-Clamp ISO2852 DN40-51, (2"), 316L, NA Connect-compatible	✓	✓
UE2	SMS 2" PN25, 316L	-	✓
WE2	Varivent N pipe DN65-162 PN25, 316L	✓	✓

Liquiphant FTL63, feature 110 "Process connection"

A	B	EHDG	3-A
1AJ	DIN11851 DN25 PN25 slotted nut, 316L	✓	✓
1BJ	DIN11851 DN32 PN25 slotted nut, 316L	✓	✓
1CJ	DIN11851 DN40 PN25 slotted nut, 316L	✓	✓
1DJ	DIN11851 DN50 PN25 slotted nut, 316L	✓	✓
1RJ	DIN11864-1 A DN50 pipe DIN11850, slotted nut, 316L	✓	✓

A	B	EHEDG	3-A
11J	Flange with notch DIN11864-2-A DN25 PN25, 316L	✓	✓
14J	Flange with notch DIN11864-2-A DN40 PN25, 316L	✓	✓
15J	Flange with notch DIN11864-2-A DN50 PN16, 316L	✓	✓
16J	Flange with notch DIN11864-2-A DN60.3 PN16, 316L	✓	✓
2GJ	Flange with groove DIN11864-2-A DN60.3 PN16, 316L	✓	✓
3CJ	Tri-Clamp ISO2852 DN25-38 (1 to 1-1/2"), 316L	✓	✓
3EJ	Tri-Clamp ISO2852 DN40-51 (2"), 316L	✓	✓
32C	Tri-Clamp ISO2852, DN25-38 (1 to 1-1/2"), Alloy C22, NA Connect-compatible	✓	✓
32J	Tri-Clamp ISO2852, DN25-38 (1 to 1-1/2"), 316L, NA Connect-compatible	✓	✓
34C	Tri-Clamp ISO2852, DN40-51 (2"), Alloy C22, NA Connect-compatible	✓	✓
34J	Tri-Clamp ISO2852 DN40-51. (2"), 316L, NA Connect-compatible	✓	✓
35J	Tri-Clamp ISO2852 DN63.5, (2-1/2"), 316L, NA Connect-compatible	✓	✓
4RJ	SMS 2" PN25, 316L	-	✓
43J	Varivent N pipe DN65-162 PN25, 316L	✓	✓
5AC	NEUMO BioControl D25 PN16, Alloy C22	✓	✓
5AJ	NEUMO BioControl D25 PN16, 316L	✓	✓
5DJ	NEUMO BioControl D50 PN16, 316L	✓	✓
5ZJ	Flush mount, 316L, install > accessory weld-in adapter	✓	✓
52J	Universal adapter 44mm, slotted nut, 316L, incl. silicone form seal	-	✓
6DJ	Clamp with notch DIN11864-3-A DN50 PN25, 316L	✓	✓

Liquipoint FTW23, feature 110 "Process connection"

A	B	EHEDG	3-A
WSJ	Thread ISO228 G1, 316L, install > accessory weld-in adapter	✓	✓
W5J	Thread ISO228 G3/4, 316L, install > accessory weld-in adapter	✓	✓
X2J	Thread M24, 316L install > accessory adapter	✓	✓

Liquipoint FTW33, feature 110 "Process connection"

A	B	EHEDG	3-A
WSJ	Thread ISO228 G1, 316L, install > accessory weld-in adapter	✓	✓
W5J	Thread ISO228 G3/4, 316L, install > accessory weld-in adapter	✓	✓
X2J	Thread M24, 316L install > accessory adapter	✓	✓
1AJ	DIN11851 DN25 PN40 w/o slotted nut, 316L	✓	✓

A	B	EHEDG	3-A
1CJ	DIN11851 DN40 PN40 w/o slotted nut, 316L	✓	✓
3CJ	Tri-Clamp ISO2852 DN25-38 (1 to 1-1/2"), 316L, DIN32676 DN25-40	✓	✓
3EJ	Tri-Clamp ISO2852 DN40-51 (2"), 316L, DIN32676 DN50	✓	✓

Liquitrend QMW43, feature 110 "Process connection"

A	B	EHEDG	3-A
WSJ	Thread ISO228 G1, 316L, install > accessory weld-in adapter	✓	✓
W5J	Thread ISO228 G3/4, 316L, install > accessory weld-in adapter	✓	✓
X2J	Thread M24, 316L install > accessory adapter	✓	✓
1AJ	DIN11851 DN25 PN40 w/o slotted nut, 316L	✓	✓
1CJ	DIN11851 DN40 PN40 w/o slotted nut, 316L	✓	✓
3CJ	Tri-Clamp ISO2852 DN25-38 (1 to 1-1/2"), DIN32676 DN25-40	✓	✓
3EJ	Tri-Clamp ISO2852 DN40-51 (2"), 316L, DIN32676 DN50	✓	✓

Fermentation Monitor QWX43, feature 110 "Process connection"

A	B	EHEDG	3-A
1DJ	DIN11851 DN50 PN25 slotted nut, 316L	-	✓
3EJ	Tri-Clamp ISO2852 DN40-51 (2"), 316L DIN3267 DN50	-	✓
3HJ	Tri-Clamp ISO2852 DN100 (4"), 316L DIN3267 DN100	-	✓
3JJ	Tri-Clamp ISO2852 DN65-80 (2.5"), 316L DIN3267 DN65	-	✓
42J	Varivent N, DN50, PN40, 316L	-	✓

Nivector FTI26, feature 110 "Process connection"

A	B	EHEDG	3-A
WDJ	Thread ISO228 G1, 316L	✓	✓



EHEDG certified

The combination of devices and process connections has been evaluated in the EHEDG certification process and confirmed in the Equipment Evaluation Report.



71657067

www.addresses.endress.com
