

Operating Instructions

Liquiline System CA80CR

Colorimetric analyzer for chromate (Cr(VI))






Table of contents

1	About this document	5	9	Commissioning	49
1.1	Safety information	5	9.1	Preparations	49
1.2	Symbols	5	9.2	Installation and function check	52
1.3	Symbols on the device	5	9.3	Switching on the measuring instrument	52
1.4	Documentation	6	9.4	Setting the operating language	52
			9.5	Configuring the measuring instrument	53
2	Basic safety instructions	7	10	Operation	54
2.1	Requirements for the personnel	7	10.1	Display	54
2.2	Intended use	7	10.2	General settings	55
2.3	Reasonably foreseeable misuse	7	10.3	Analyzer	68
2.4	Workplace safety	7	10.4	Sample preparation	75
2.5	Operational safety	8	10.5	Current inputs	79
2.6	Product security	8	10.6	Binary inputs and outputs	80
			10.7	Signal outputs	89
3	Product description	9	10.8	Additional functions	98
3.1	Product design	9	11	Diagnostics and troubleshooting ..	126
3.2	Measuring system	9	11.1	General troubleshooting	126
3.3	Device architecture	12	11.2	Diagnostic information on local display	127
4	Incoming acceptance and product identification	14	11.3	Diagnostic information via web browser	127
4.1	Incoming acceptance	14	11.4	Diagnostic information via fieldbus	127
4.2	Product identification	14	11.5	Adapting the diagnostic information	128
4.3	Scope of delivery	15	11.6	Overview of diagnostic information	130
			11.7	Queued diagnostic messages	137
5	Mounting	16	11.8	Diagnostics list	137
5.1	Mounting requirements	16	11.9	Logbooks	137
5.2	Mounting the analyzer	19	11.10	System information	142
5.3	Post-mounting check	24	11.11	Sensor information	144
			11.12	Simulation	144
6	Electrical connection	25	11.13	Device test	146
6.1	Connecting requirements	25	11.14	Resetting	148
6.2	Connecting the analyzer	25	11.15	Operating time information	148
6.3	Connecting sample preparation	30	11.16	Firmware history	148
6.4	Connecting the sensors and additional modules	32	12	Maintenance	150
6.5	Hardware settings	39	12.1	Maintenance schedule	150
6.6	Ensuring the degree of protection	40	12.2	Maintenance work	151
6.7	Post-connection check	41	12.3	Taking out of service	158
			13	Repair	160
7	System integration	42	13.1	General notes	160
7.1	Overview of device description files	42	13.2	Spare parts	160
7.2	Integrating the measuring instrument into the system	42	13.3	Return	160
			13.4	Disposal	160
8	Operation options	46	14	Accessories	162
8.1	Structure and function of the operating menu	46	14.1	Device-specific accessories	162
8.2	Access to operating menu via local display ..	46	14.2	Communication-specific accessories	167
			14.3	System components	168








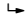
15	Technical data	169
15.1	Input	169
15.2	Output	170
15.3	Current outputs, active	171
15.4	Relay outputs	171
15.5	Protocol-specific data	172
15.6	Power supply	175
15.7	Performance characteristics	176
15.8	Environment	177
15.9	Process	178
15.10	Mechanical construction	178
Index		180

1 About this document

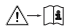



1.1 Safety information

Structure of information	Meaning
 DANGER Causes (/consequences) If necessary, Consequences of non-compliance (if applicable) ► Corrective action	This symbol alerts you to a dangerous situation. Failure to avoid the dangerous situation will result in a fatal or serious injury.
 WARNING Causes (/consequences) If necessary, Consequences of non-compliance (if applicable) ► Corrective action	This symbol alerts you to a dangerous situation. Failure to avoid the dangerous situation can result in a fatal or serious injury.
 CAUTION Causes (/consequences) If necessary, Consequences of non-compliance (if applicable) ► Corrective action	This symbol alerts you to a dangerous situation. Failure to avoid this situation can result in minor or more serious injuries.
NOTICE Cause/situation If necessary, Consequences of non-compliance (if applicable) ► Action/note	This symbol alerts you to situations which may result in damage to property.

1.2 Symbols

-  Additional information, tips
-  Permitted
-  Recommended
-  Not permitted or not recommended
-  Reference to device documentation
-  Reference to page
-  Reference to graphic
-  Result of an individual step

1.3 Symbols on the device

-  Reference to device documentation
-  Caution: Hazardous voltage
-  Warning: Risk of injury from rotating cogwheels
-  Do not dispose of products bearing this marking as unsorted municipal waste. Instead, return them to the manufacturer for disposal under the applicable conditions.

1.4 Documentation


The following instructions complement these Operating Instructions and are available on the product pages on the Internet:

- Brief Operating Instructions Liquiline System CA80CR, KA01223C
- Operating Instructions Memosens, BA01245C
 - Software description for Memosens inputs
 - Calibration of Memosens sensors
 - Sensor-specific diagnostics and troubleshooting
- Guidelines for communication via fieldbus and web server
 - PROFIBUS, SD01188C
 - Modbus, SD01189C
 - Web server, SD01190C
 - EtherNet/IP, SD01293C

2 Basic safety instructions

2.1 Requirements for the personnel

- Installation, commissioning, operation and maintenance of the measuring system may be carried out only by specially trained technical personnel.
- The technical personnel must be authorized by the plant operator to carry out the specified activities.
- The electrical connection may be performed only by an electrical technician.
- The technical personnel must have read and understood these Operating Instructions and must follow the instructions contained therein.
- Faults at the measuring point may only be rectified by authorized and specially trained personnel.

 Repairs not described in the Operating Instructions provided must be carried out only directly at the manufacturer's site or by the service organization.

2.2 Intended use

The Liquiline System CA80CR is a wet-chemical analyzer for the almost continuous determination of chromate concentrations (Cr (VI)) in liquid media.

The analyzer is designed for use in the following applications:

- Optimization of the treatment efficiency of industrial wastewater treatment plants
- Monitoring of drinking water
- Monitoring of membrane filtration systems
- Monitoring of limit values for the discharge of industrial wastewater

- ▶ All product variants except "Cabinet, outdoor version" may only be set up, mounted and operated in enclosed spaces and not outdoors.

The "Cabinet, outdoor version" product variant may be set up, mounted and operated outdoors.

2.3 Reasonably foreseeable misuse

- ▶ All product variants except "Cabinet, outdoor version" may be damaged when set up and operated outdoors.
- ▶ Use of the device for any purpose other than that intended poses a threat to the safety of people and of the entire measuring system, and is therefore not permitted.
- ▶ The manufacturer is not liable for harm caused by unintended use.

2.4 Workplace safety

As the user, you are responsible for complying with the following safety conditions:

- Installation guidelines
- Local standards and regulations
- Regulations for explosion protection

Electromagnetic compatibility

- The product has been tested for electromagnetic compatibility in accordance with the applicable international standards for industrial applications.
- The electromagnetic compatibility indicated applies only to a product that has been connected in accordance with these Operating Instructions.

2.5 Operational safety

Before commissioning the entire measuring point:

1. Verify that all connections are correct.
2. Ensure that electrical cables and hose connections are undamaged.
3. Do not operate damaged products, and protect them against unintentional operation.
4. Label damaged products as defective.

During operation:

1. If faults cannot be rectified, take products out of service and protect them against unintentional operation.
2. Keep the door closed when not carrying out service and maintenance work.

CAUTION

Activities while the analyzer is in operation

Risk of injury and infection from medium!

- ▶ Before you release any hoses, make sure that no actions, such as the pumping of sample, are currently running or are due to start shortly.
- ▶ Wear protective clothing, goggles and gloves or take other suitable measures to protect yourself.
- ▶ Wipe up any spilt reagent with a disposable tissue and rinse with clear water. Then dry the cleaned areas with a cloth.

CAUTION

Risk of injury from door stop mechanism

- ▶ Always open the door fully to ensure the door stop engages properly.

2.6 Product security

2.6.1 State-of-the-art technology

The product is designed to meet state-of-the-art safety requirements, has been tested, and left the factory in a condition in which it is safe to operate. The relevant regulations and international standards have been observed.

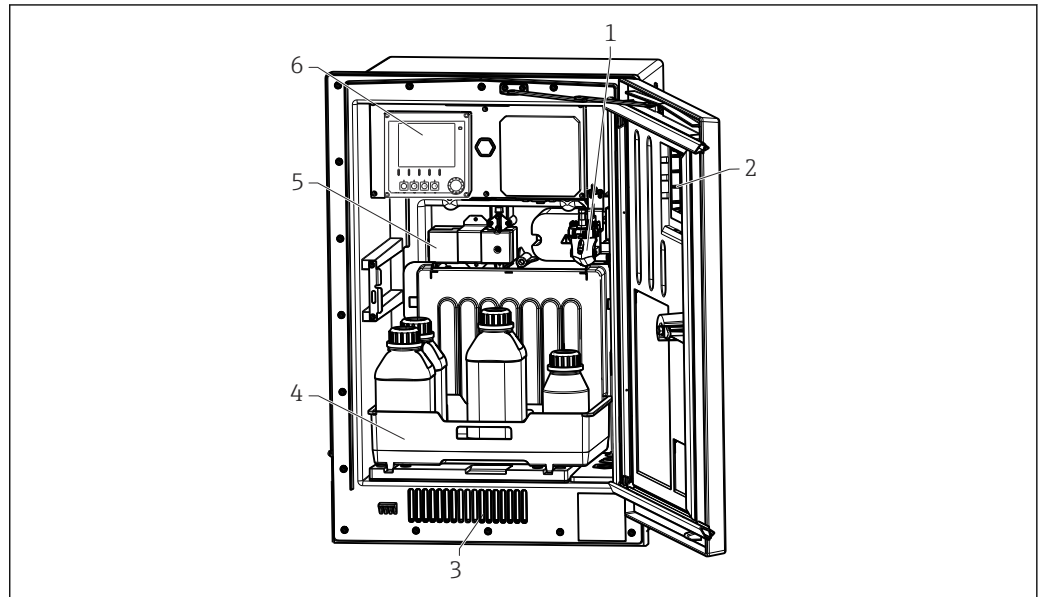
2.6.2 IT security

We only provide a warranty if the device is installed and used as described in the Operating Instructions. The device is equipped with security mechanisms to protect it against any inadvertent changes to the device settings.

IT security measures in line with operators' security standards and designed to provide additional protection for the device and device data transfer must be implemented by the operators themselves.

3 Product description

3.1 Product design



1 Example of a Liquiline System CA80

- 1 Sample collecting vessel (optional)
- 2 Window
- 3 Air vent for cooling
- 4 Bottle tray for cleaner and standard
- 5 Photometer
- 6 Controller

3.2 Measuring system

A complete measuring system comprises:

- Analyzer Liquiline System CA80CR with the configuration ordered
- Reagents, cleaner and standard solution (to be ordered separately)
- Sample conditioning Liquiline System CAT8x0 (optional)

Microfiltration (Liquiline System CAT810)

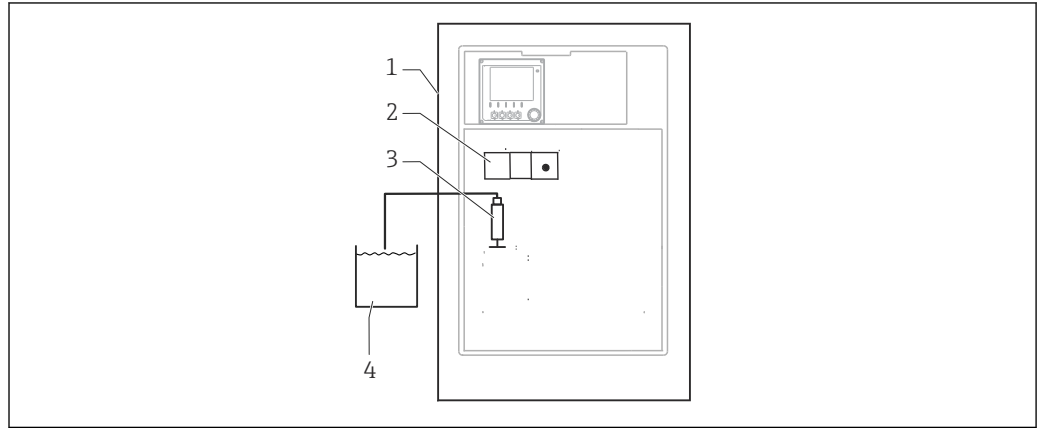
- Function: pressure pipe sampling and filtration
- Sieve filter, 50 μm
- Control via CA80
 - Optional: time control via integrated timer
- Backflushing, with compressed air or water
- Panel version or integration into analyzer stand
- Application: wastewater treatment plant outlet

Membrane filtration (Liquiline System CAT820), ceramic filter version

- Function: sampling and filtration
- Ceramic membrane filter cartridge; pore size 0.1 μm or 0.4 μm or plate filter with holder, pore size 0.04 μm
- Communication via Memosens protocol, control via CA80
- Backflushing with compressed air (version with Memosens technology)
- Easy installation with Flexdip CYH112
- Application: aeration, wastewater treatment plant outlet, surface water

Membrane filtration (Liquiline System CAT860)

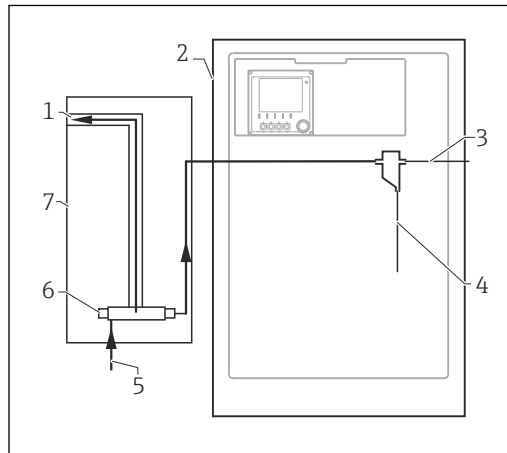
- Function: sampling and filtration
- Ceramic membrane filter candle; pore size 0.1 µm or 0.4 µm
- Communication via Memosens protocol, control via CA80
- Automatic backflush function with cleaning solution and compressed air
- Easy installation via Flexdip CYH112
- Application: wastewater treatment plant inlet



A0044814

2 Measuring system with Liquiline System, self-priming

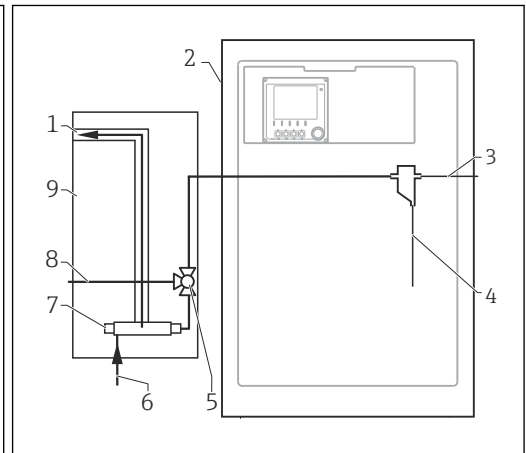
- 1 Liquiline System CA80CR
- 2 Photometer
- 3 Dosing dispenser
- 4 Particle-free sample



A0044812

3 Measuring system with Liquiline System CAT810

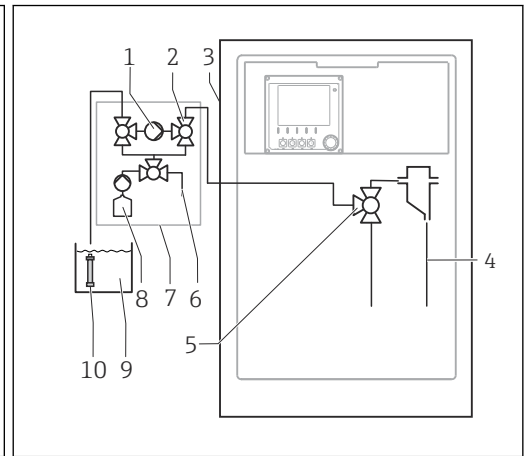
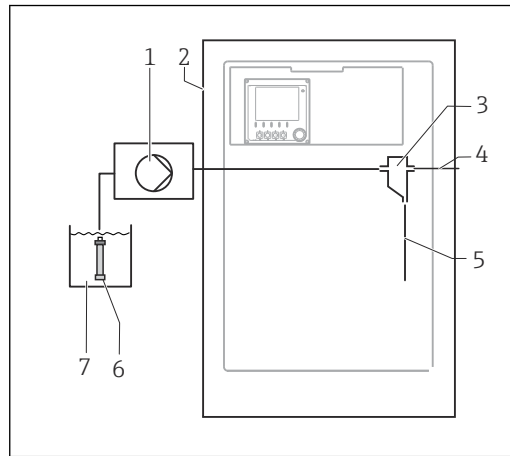
- 1 Overflow
- 2 Liquiline System CA80
- 3 Sample collecting vessel overflow
- 4 Sample
- 5 Pressurized sample
- 6 Filter unit
- 7 Liquiline System CAT810



A0044813

4 Measuring system with Liquiline System CAT810 and cleaning valve

- 1 Overflow
- 2 Liquiline System CA80
- 3 Sample collecting vessel overflow
- 4 Sample
- 5 Cleaning valve
- 6 Pressurized sample
- 7 Filter unit
- 8 Purge connection (compressed air or water)
- 9 Liquiline System CAT810

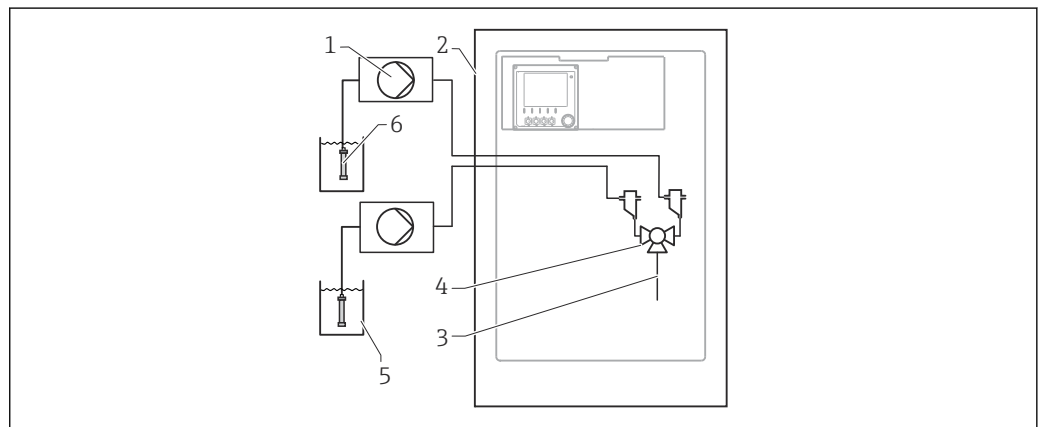


5 Measuring system with Liquiline System CAT820

- 1 Pump
- 2 Liquiline System CA80
- 3 Sample collecting vessel
- 4 Sample collecting vessel overflow
- 5 Sample
- 6 Filter (ceramic)
- 7 Medium

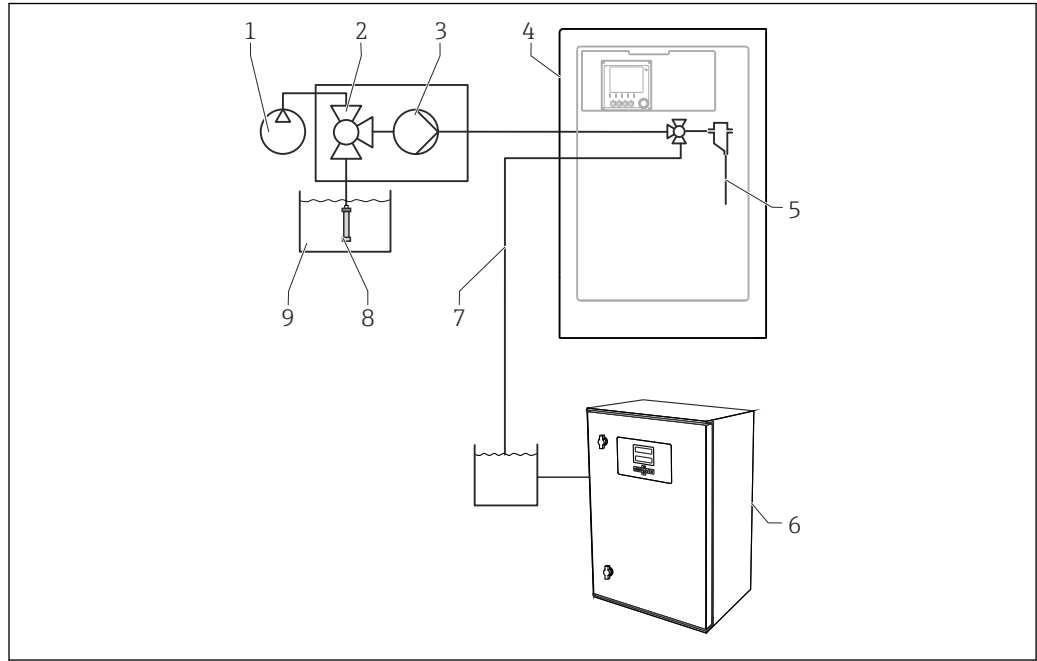
6 Measuring system with Liquiline System CAT860

- 1 Pump
- 2 Valve
- 3 Liquiline System CA80
- 4 Sample
- 5 Valve
- 6 Compressed air
- 7 Liquiline System CAT860
- 8 Cleaning solution
- 9 Medium
- 10 Filter (ceramic)



7 Measuring system with 2x Liquiline System CAT820

- 1 Pump
- 2 Liquiline System CA80
- 3 Sample
- 4 Valve
- 5 Medium
- 6 Filter (ceramic)

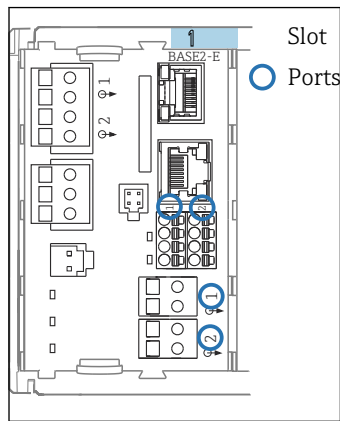


A0044808

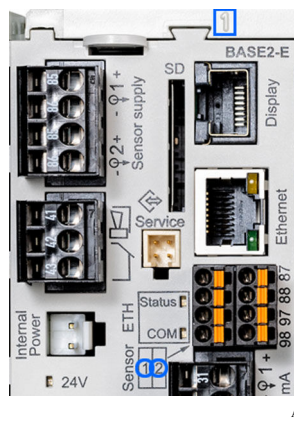
- 8 Measuring system with Liquiline System CA80, Liquiline System CAT820 and second analyzer
- | | |
|---|-----------------------------|
| 1 Backflushing with compressed air (optional) | 6 Second analyzer |
| 2 Valve (optional) | 7 Sample to second analyzer |
| 3 Pump | 8 Filter (ceramic) |
| 4 Liquiline System CA80 | 9 Medium |
| 5 Sample | |

3.3 Device architecture

3.3.1 Slot and port assignment



A0044868



A0044869

Analyzer_C8024A05G00	
▶ Heartbeat diagnostics	
SP1 Analyzer*	Slot Port
CH1: 1:1 pH Glass	ATC: 6.95 pH
CH2: 1:2 Cond c	ATC: 131.1 µS/cm
Current output 1:1	22.5 mA
Current output 1:2	22.5 mA
Current output 4:1	22.5 mA
Current output 4:2	22.5 mA

A0040671

9 Slot and port assignment

10 Slot and port assignment

- Inputs are assigned to measuring channels in the ascending order of the slots and ports. In the example above:
"CH1: 1:1 pH glass" means:
Channel 1 (CH1) is slot 1 (basic module) : Port 1 (input 1), pH glass sensor
- Outputs and relays are named according to their function, e.g. "current output", and are displayed in ascending order with the slot and port numbers
- Display shows SP1: analyzer measuring channel 1 with sampling point SP1 (measured value display is parameter-specific; is not illustrated in the example)

3.3.2 Terminal diagram

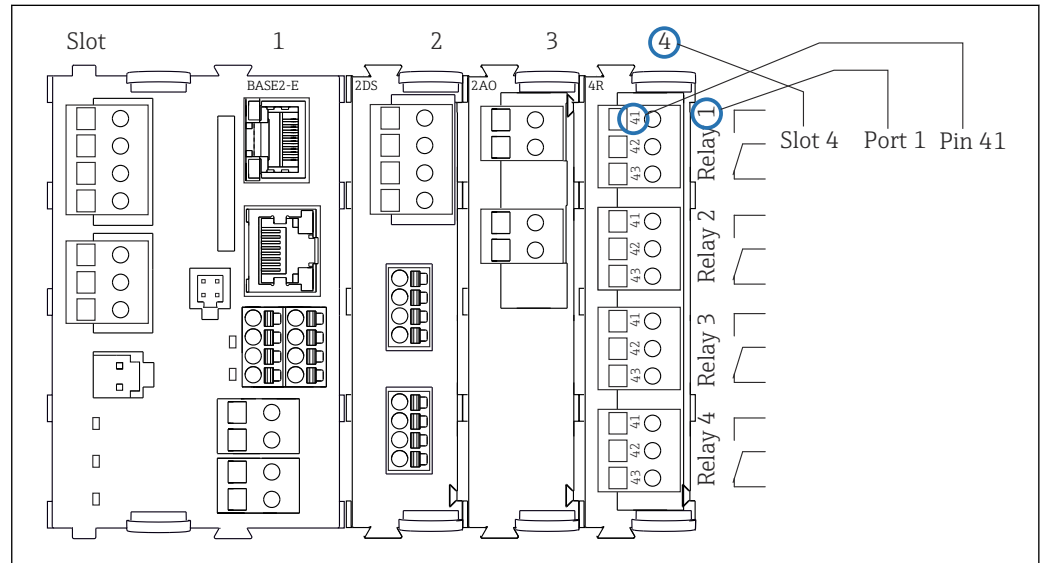
i The unique terminal name is derived from:

Slot no. : Port no. : Terminal

Example, NO contact of a relay

Device with 4 inputs for digital sensors, 4 current outputs and 4 relays

- Base module BASE2-E (contains 2 sensor inputs, 2 current outputs)
- 2DS module (2 sensor inputs)
- 2AO module (2 current outputs)
- 4R module (4 relays)



A0039621

12 Creating a terminal diagram using the example of the NO contact (terminal 41) of a relay

4 Incoming acceptance and product identification

4.1 Incoming acceptance

1. Verify that the packaging is undamaged.
 - ↳ Notify the supplier of any damage to the packaging.
Keep the damaged packaging until the issue has been resolved.
2. Verify that the contents are undamaged.
 - ↳ Notify the supplier of any damage to the delivery contents.
Keep the damaged goods until the issue has been resolved.
3. Check that the delivery is complete and nothing is missing.
 - ↳ Compare the shipping documents with your order.
4. Pack the product for storage and transportation in such a way that it is protected against impact and moisture.
 - ↳ The original packaging offers the best protection.
Make sure to comply with the permitted ambient conditions.

If you have any questions, please contact your supplier or your local Sales Center.

NOTICE

Incorrect transportation can damage the analyzer

- ▶ Always use a lifting truck or a fork-lift to transport the analyzer.

4.2 Product identification

4.2.1 Nameplate

Nameplates can be found:

- On the inside of the door on the bottom right or on the front in the lower right-hand corner
- On the packaging (adhesive label, portrait format)

The nameplate provides you with the following information on your device:

- Manufacturer identification
- Order code
- Extended order code
- Serial number
- Firmware version
- Ambient and process conditions
- Input and output values
- Measuring range
- Activation codes
- Safety information and warnings
- Certificate information
- Approvals as per order version

- ▶ Compare the information on the nameplate with the order.

4.2.2 Identifying the product

Product page

www.endress.com/ca80cr

Interpreting the order code

The order code and serial number of your product can be found in the following locations:

- On the nameplate
- In the delivery papers

Obtaining information on the product

1. Go to www.endress.com.
2. Page search (magnifying glass symbol): Enter valid serial number.
3. Search (magnifying glass).
 - ↳ The product structure is displayed in a popup window.
4. Click the product overview.
 - ↳ A new window opens. Here you fill information pertaining to your device, including the product documentation.

4.2.3 Manufacturer address

Endress+Hauser Conducta GmbH+Co. KG
Dieselstraße 24
70839 Gerlingen
Germany

4.3 Scope of delivery

- ▶ If you have any queries:
Please contact your supplier or local sales center.

5 Mounting

⚠ CAUTION

Incorrect transportation can cause injury and damage the device

- ▶ Always use a lifting truck or a fork-lift to transport the analyzer. Two people are needed for the installation.
- ▶ Lift the device by the recessed grips.

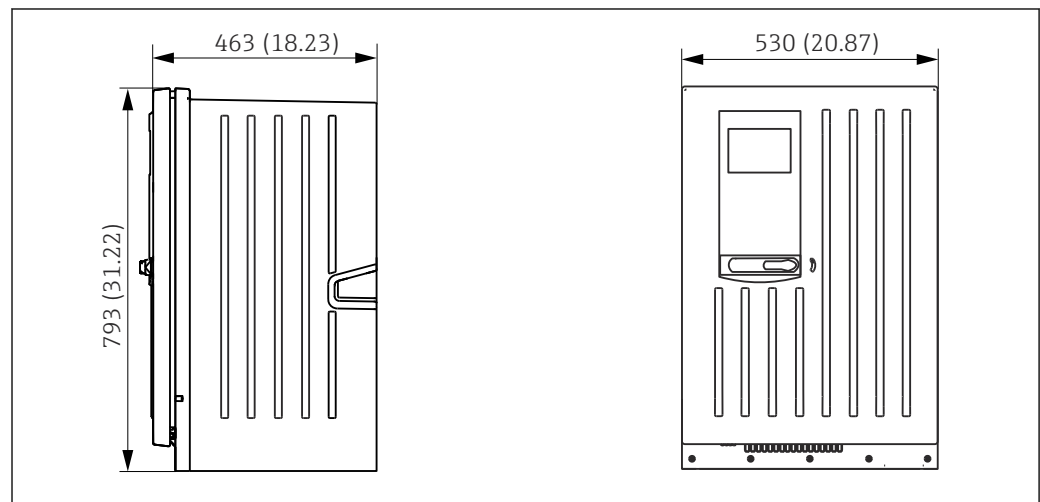
5.1 Mounting requirements

5.1.1 Installation types

The device can be installed in the following ways:

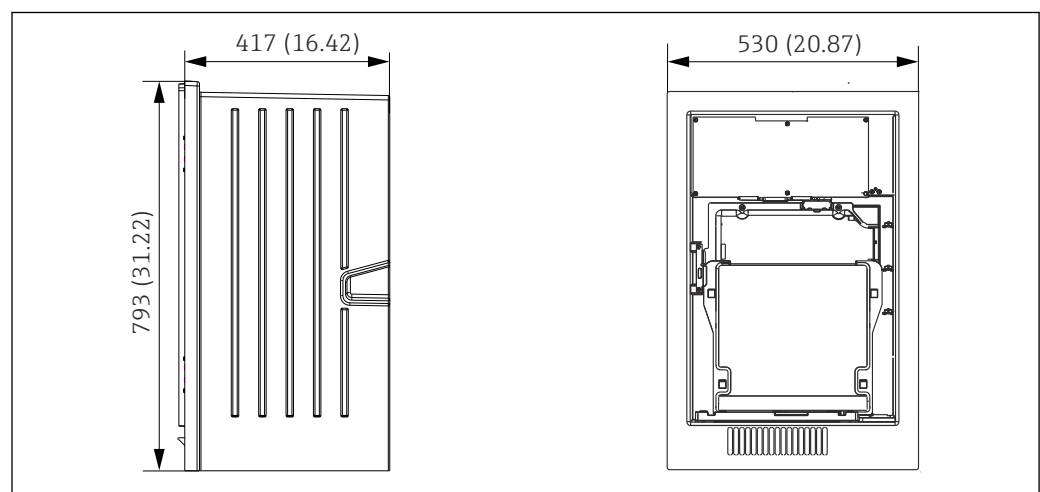
- Mounted on a wall
- Mounted on a base
- Post mounting / on a post (accessory)

5.1.2 Dimensions



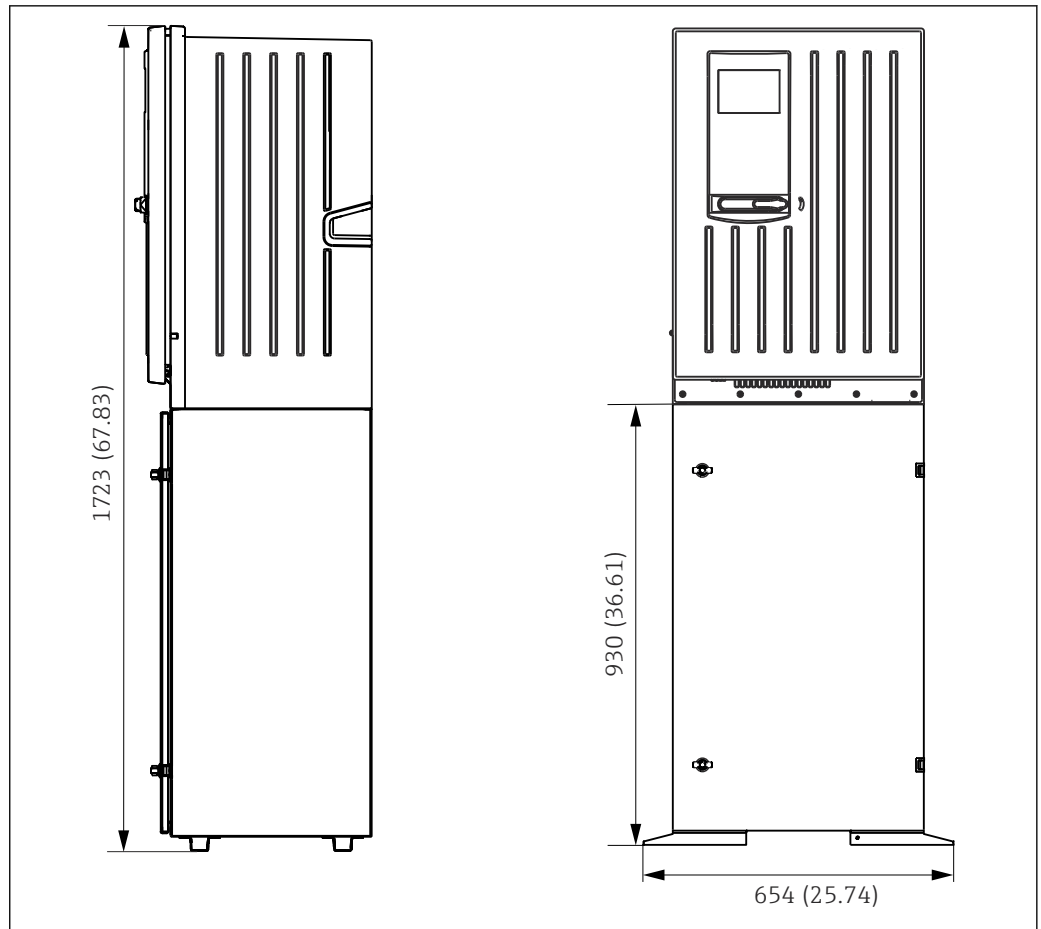
A0028820

13 Liquiline System CA80 closed version, dimensions in mm (in)



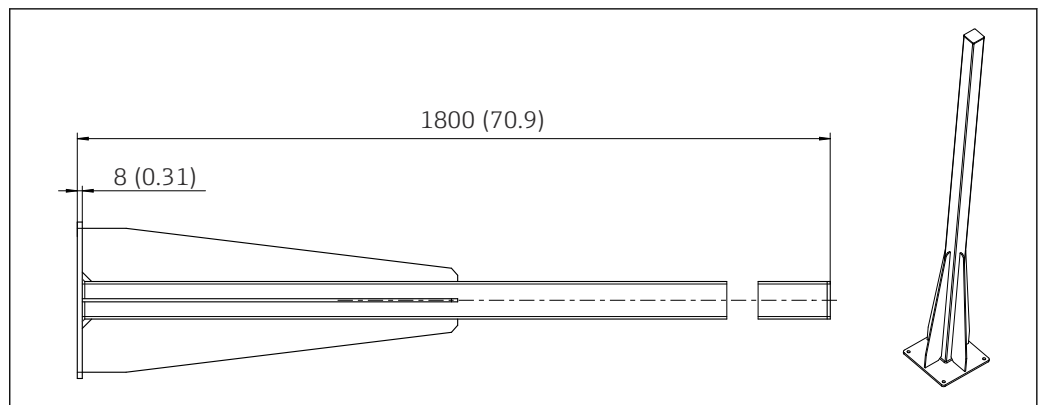
A0030419

14 Liquiline System CA80 open version, dimensions in mm (in)



A0028821

15 Liquiline System CA80 with base, dimensions in mm (in)



A0041592

16 Post (accessory) for "Outdoor" version, dimensions in mm (inch)

5.1.3 Mounting location

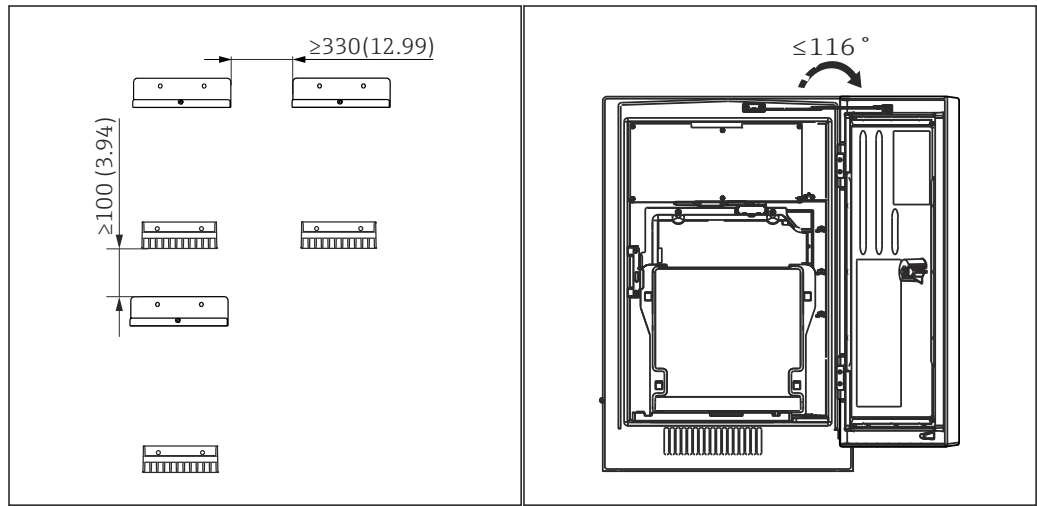
Note the following when erecting the device:

- ▶ If mounting on a wall, make sure that the wall has sufficient load-bearing capacity and is fully perpendicular.
- ▶ If mounting on a base, set up the device on a level surface. Installing on a base is only permitted indoors.
- ▶ Protect the device against additional heating (e.g. from heaters).
- ▶ Protect the device against mechanical vibrations.
- ▶ Protect the device against corrosive gases, e.g. hydrogen sulfide (H₂S) .

- ▶ Make sure to pay attention to the maximum height difference and the maximum distance from the sampling point.
- ▶ Ensure that the unit can drain freely, without any siphoning effects.
- ▶ Make sure air can circulate freely at the front of the housing.
- ▶ Open analyzers (i.e. analyzers that are supplied without a door) may only be set up in closed areas or in a protective cabinet or similar facility.
- ▶ "Outdoor" version only: Post mounting is recommended for outdoor installation.

5.1.4 Spacing requirements when mounting

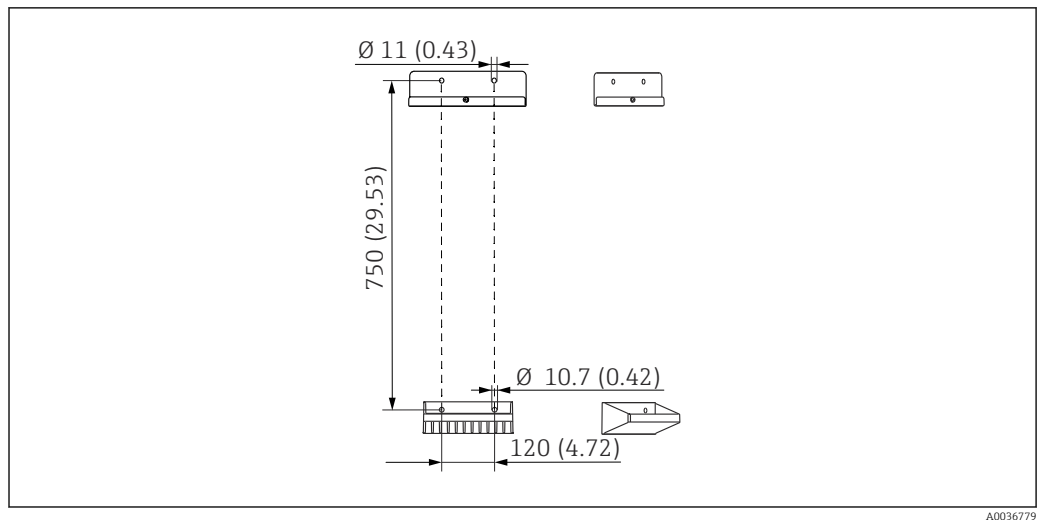
Spacing required for installing analyzer



17 Minimum spacing required for mounting. Engineering unit mm (in).

18 Maximum opening angle

Spacing required for installing wall-mount version



19 Holder unit dimensions. Engineering unit mm (in)

5.2 Mounting the analyzer

5.2.1 Mounting the analyzer on a wall

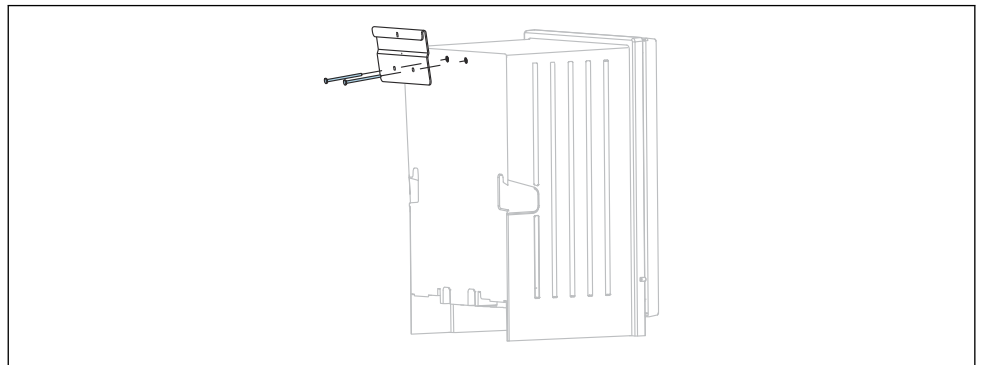
CAUTION

Incorrect installation can cause injury and damage the device

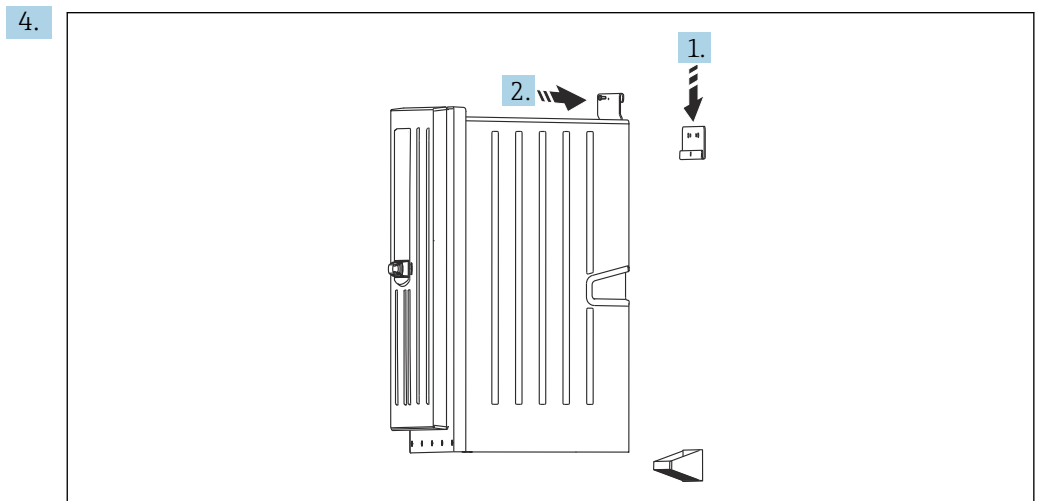
- ▶ If mounting on a wall, check that the analyzer is fully hooked into the wall holder unit at the top and bottom, and secure the analyzer to the upper wall holder unit using the securing screw.

The mounting materials required to secure the device to the wall are not supplied.

1. Provide the mounting materials to secure the device to the wall (screws, wall plugs) onsite.
2. Mount the wall holder unit (2 parts) on the wall.
- 3.



Secure the mount on the housing.



A0036781

Hook the analyzer into the wall holder unit (1).

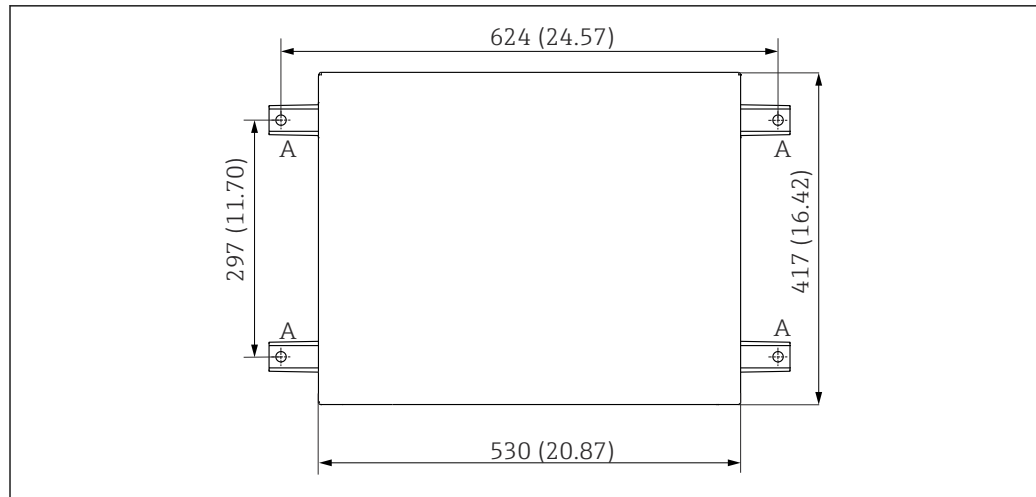
5. Fix the mount and wall holder unit in place with the screw supplied (2).

5.2.2 Installing version with analyzer stand

CAUTION

Incorrect installation can cause injury and damage the device

- ▶ If using the version with analyzer stand, make sure that the analyzer stand is secured to the floor.

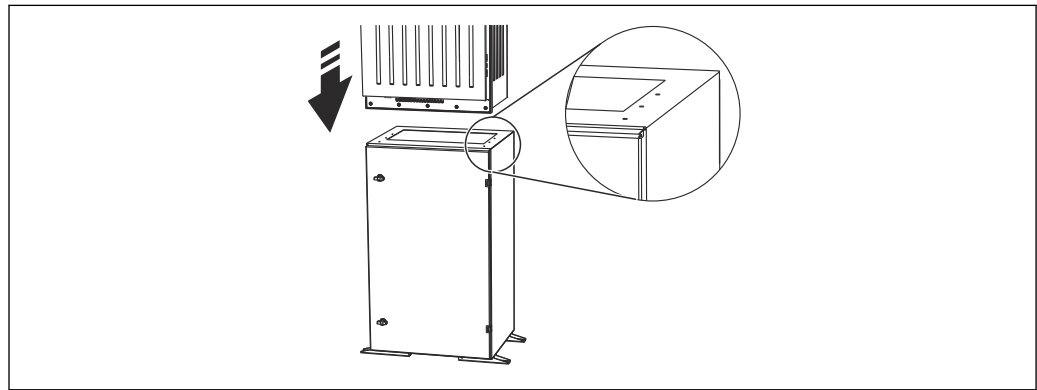


A0036783

20 Foundation plan

A Fasteners (4 x M10)

--- Dimensions of Liquiline System CA80



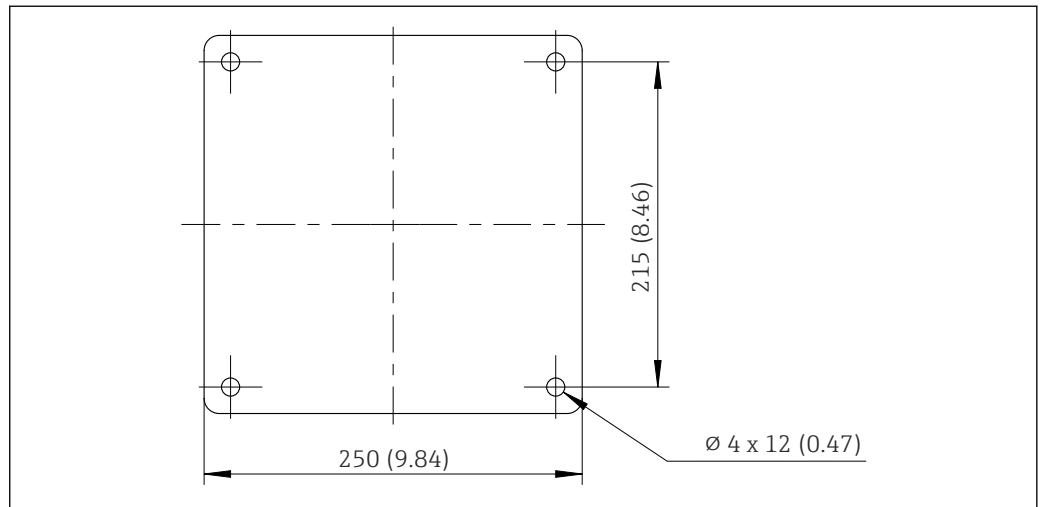
A0036785

21 Securing the base

1. Screw the base to the ground.
2. With 2 people, lift the analyzer and fit it on the base. Use the recessed grips.
3. Secure the base to the analyzer using the 6 screws supplied.

5.2.3 "Outdoor" version: mounting on a post

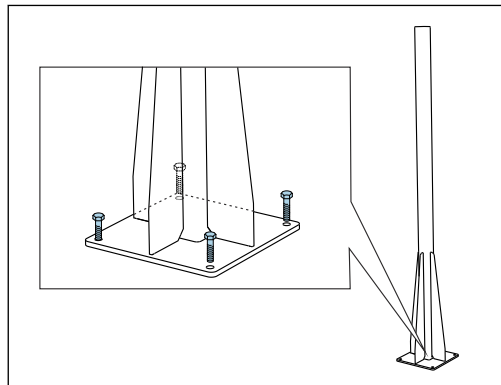
Erecting the post



22 Foundation plan, dimensions in mm (in)

i When installing outdoors, consideration must be given to providing correct protection against lightning.

1. Prepare the foundation at the place of installation.
- 2.



Erect the post and mount it securely on the foundation using 4 fixing screws (to be provided by the customer ¹⁾).

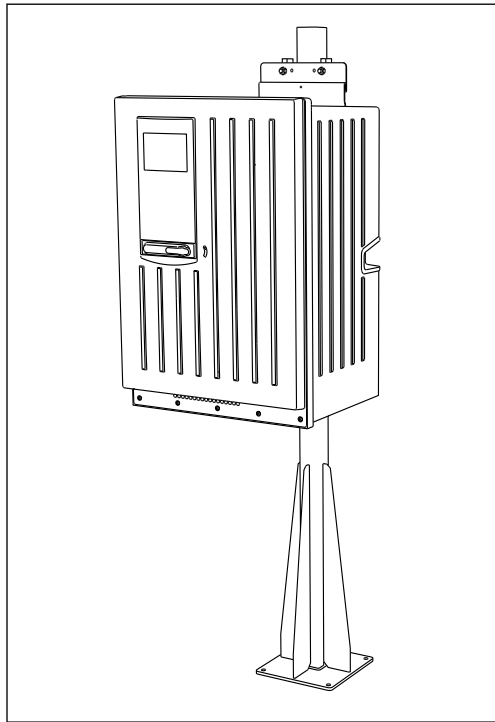
Tool required for post mounting

The following tools, which must be provided by the customer at the point of installation, are required to mount the analyzer on the post:

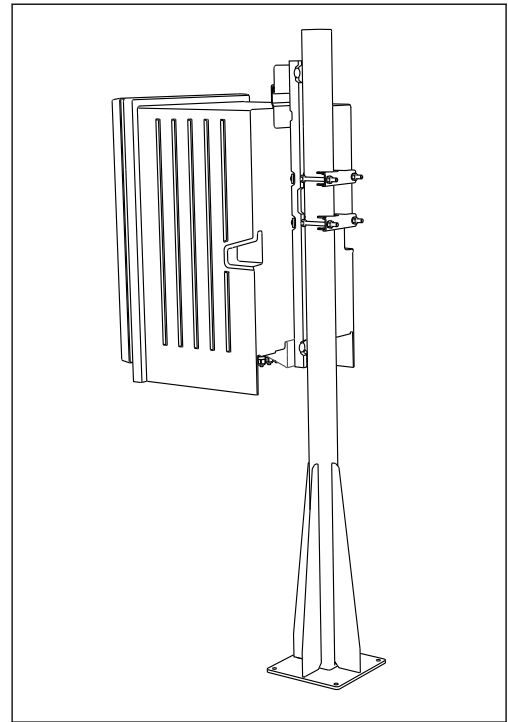
- Open-end wrench, 17mm AF (for post retainer)
- Torx screwdriver TX45 (for analyzer wall holder unit, Torx M8x20 screws)
- Torx screwdriver TX25 (for securing the wall holder unit on the post holder, Torx M5x12 screw)

1) We recommend: hexagonal-headed bolt with a shaft, DIN 931: M10x100 with A2 quality + washer + suitable plug

Mounting analyzer on the post



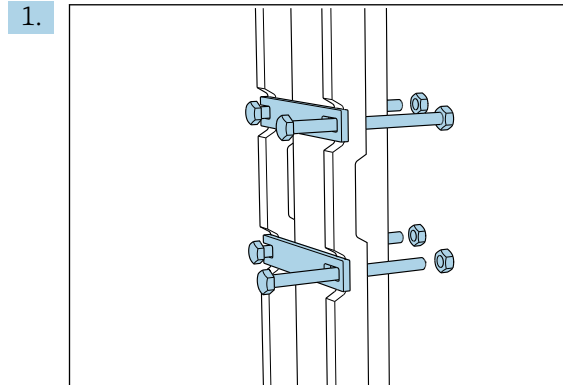
A0041425



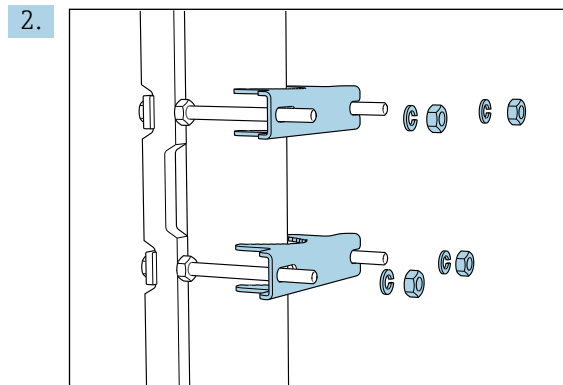
A0041426

23 Analyzer mounted on post (from front)

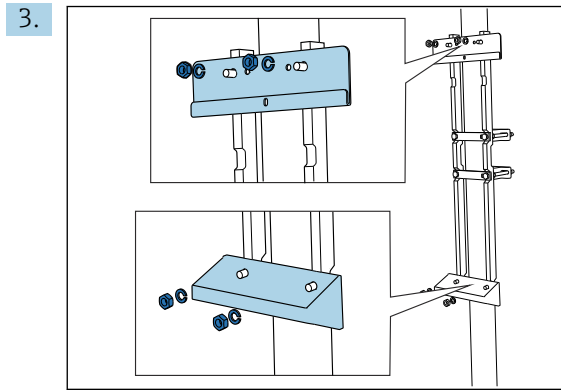
24 Analyzer mounted on post (from behind)



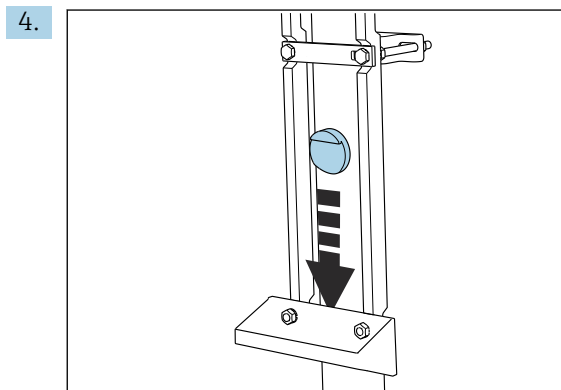
Fit the clamp of the post retainer on the retaining rods and post using the nuts.



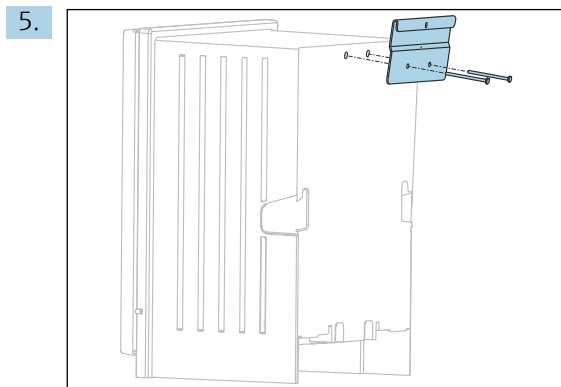
Fit the counterparts and fasten the post retainer using spring washers and nuts.



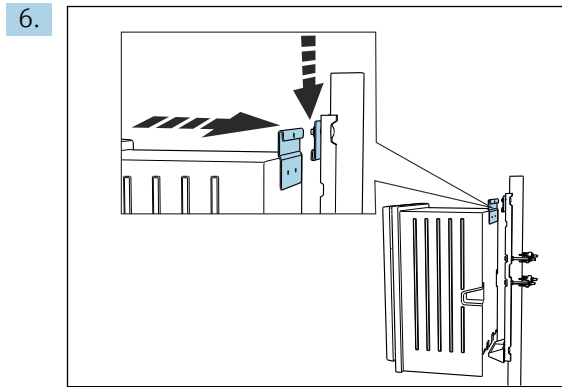
Mount the wall holder unit (included in the delivery with the analyzer) on the post retainer.



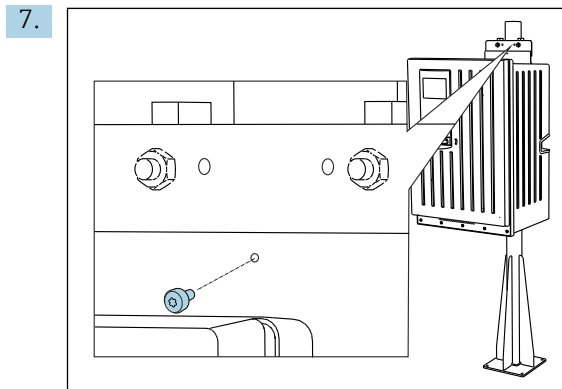
Insert the spacer.



Screw the suspension bracket of the wall holder unit (included in the delivery with the analyzer) onto the analyzer.



Hook in the analyzer.



Fix the upper wall holder unit in place with the screw provided.

5.3 Post-mounting check

After mounting, check all the connections to ensure they are secure.

6 Electrical connection

⚠ WARNING


Device is live!

Incorrect connection may result in injury or death!

- ▶ The electrical connection may be performed only by an electrical technician.
- ▶ The electrical technician must have read and understood these Operating Instructions and must follow the instructions contained therein.
- ▶ **Prior** to commencing connection work, ensure that no voltage is present on any cable.
- ▶ Before establishing the electrical connection, verify that the pre-installed power cable meets the local national electrical safety specifications.

6.1 Connecting requirements

6.1.1 Cable types

Power supply cable  A power supply cable is not supplied for the "Outdoor" version!	Power supply cable with safety plug Cable length 4.3 m (14.1 ft) Order version CA80xx-CA (CSA C/US General Purpose): Power supply cable as per North American standard
Mains voltage	The maximum mains voltage fluctuation may not be more than $\pm 10\%$ of the values indicated on the nameplate.
Analog, signal and transmission lines	e.g. LiYY 10 x 0.34 mm ²

6.1.2 "Outdoor" version

NOTICE

Harmonic waves at the feed-in point of the device supply voltage

Higher radiation values

- ▶ Avoid harmonic waves at the feed-in point of the device or limit them by connecting a mains filter upstream, for example.

6.2 Connecting the analyzer

NOTICE

The device does not have a power switch

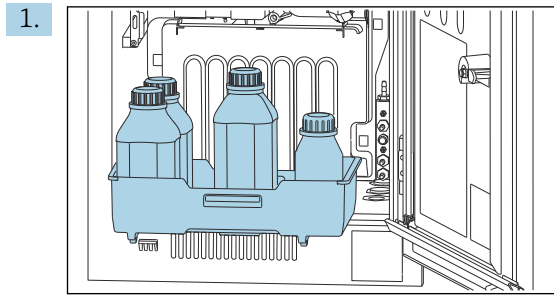
- ▶ You must install the device near (distance < 3 m (10 ft)) an easily accessible and fused plug socket so that it can be disconnected from the power supply.
- ▶ Comply with the instructions for protective grounding when installing the analyzer.

6.2.1 Routing the cable in the connection compartment

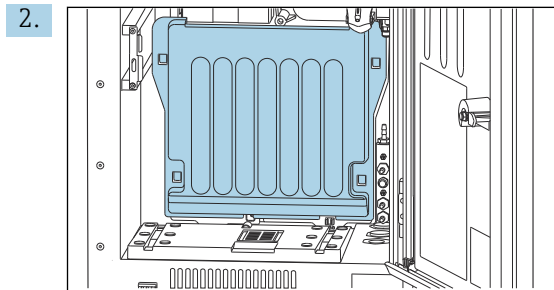
The analyzer is supplied with a pre-installed power cable. (Not in the case of the "Outdoor" version)

- For cabinet versions, the cable length is approx. 4.3 m (14.1 ft) from the base of the housing.
- For analyzer stands, the cable length is approx. 3.5 m (11.5 ft) from the foundation.

Connection of analog inputs and outputs, Memosens sensors or digital fieldbuses

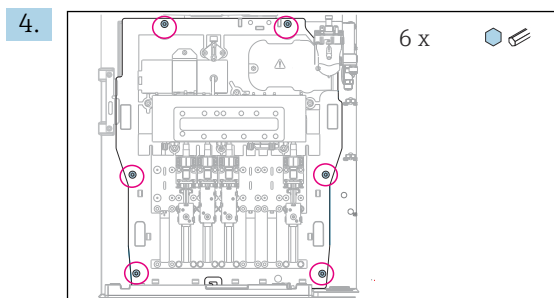


Remove the bottle tray: Lift up the recessed grip slightly and pull it towards the front.

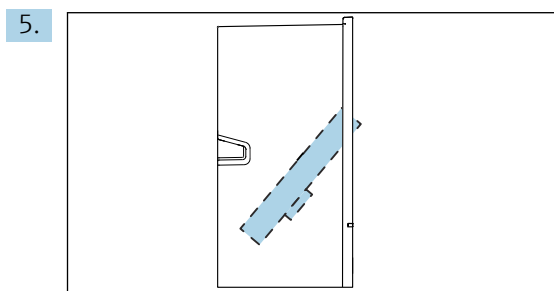


Remove the cover that is hooked into place.

3. Remove all liquid-bearing suction lines from the Liquid Manager.

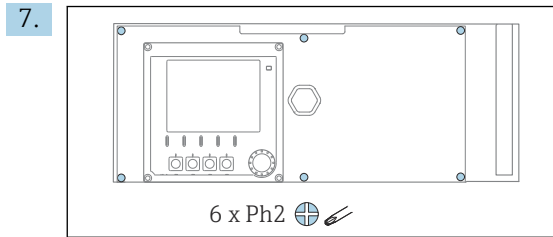


Release the 6 screws of the carrier board using an Allen key.



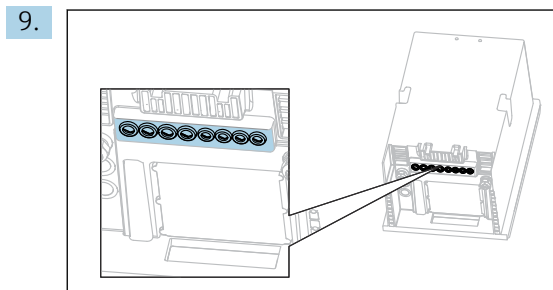
Fold out the carrier board towards the front .

6. For convenience of handling, hook the carrier board onto the locking plate.



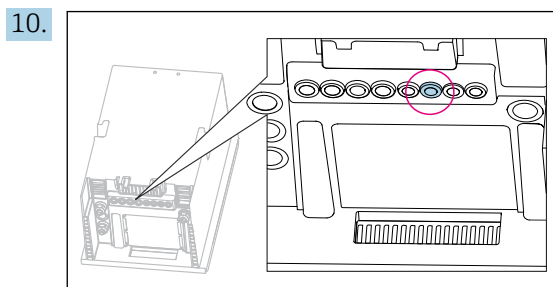
Release the 6 screws on the electronics compartment cover using a Phillips-head screwdriver and fold out the cover towards the front.

8. **Only for order versions with G or NPT glands:**
 Replace the pre-installed M-thread cable glands with the G or NPT cable glands that are enclosed. This does not affect the M32 hose glands.

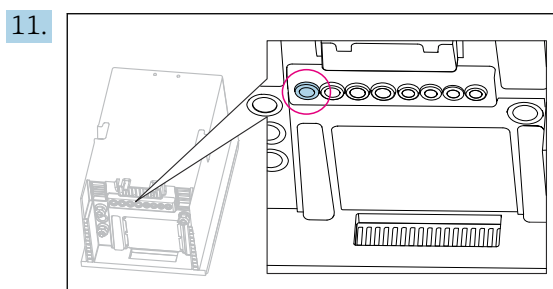


Guide the cables through the cable glands on the bottom of the device.

Only for the "Outdoor" version



Guide the cable of the heated waste hose through the cable gland indicated.



Guide the power supply cable, which is provided by the customer at the installation location, through the cable gland indicated.

For all versions

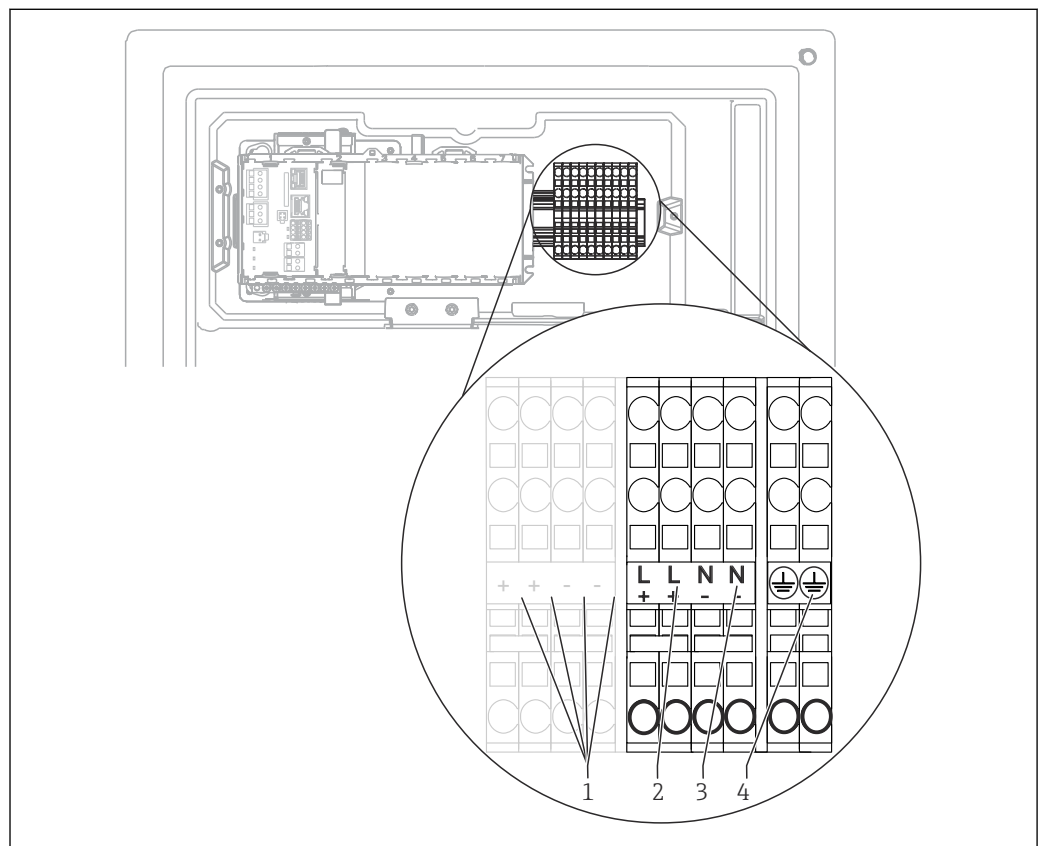
12. Route the cables on the rear panel of the device so that they are properly protected. Use cable clips.
13. Guide the cable to the electronics compartment.

After connecting:

1. Secure the electronics compartment cover with the 6 screws.
2. Fold up the carrier board and use the 6 screws to secure it after connecting.
3. Tighten the cable glands on the bottom of the device to secure the cables.
4. Place the bottle tray back into the housing.

6.2.2 24 V version: connecting the power supply

- ▶ In the case of devices with a 24 V power supply, the connection cross-section must be at least 2.5 mm² and may not exceed 4 mm².
 - ▶ With 24V power supply, a current of up to 10A can flow. For this reason pay attention to the voltage drop on the supply line.
 - ▶ The voltage at the device terminals must be within the specified range → 175.
1. To access the electronics compartment, proceed as described in the "Routing the cables" section (→ 25).
 2. Guide the 24V connecting cable from below through the cable gland on the inner rear panel of the device and feed it up into the electronics compartment.
 3. Connect the power supply.




25 Terminal assignment

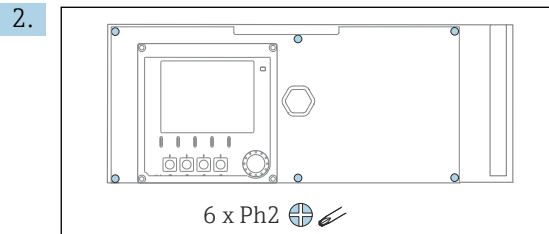
- 1 Internal 24 V voltage
- 2 Power supply +24 V
- 3 Power supply -24 V
- 4 Assignment: functional ground

i The labeling on the terminal block is selected in such a way that it applies both for 24 V versions (+ and -) and for the other device versions (L and N).

6.2.3 "Outdoor" version: Connecting the power supply and hose heater

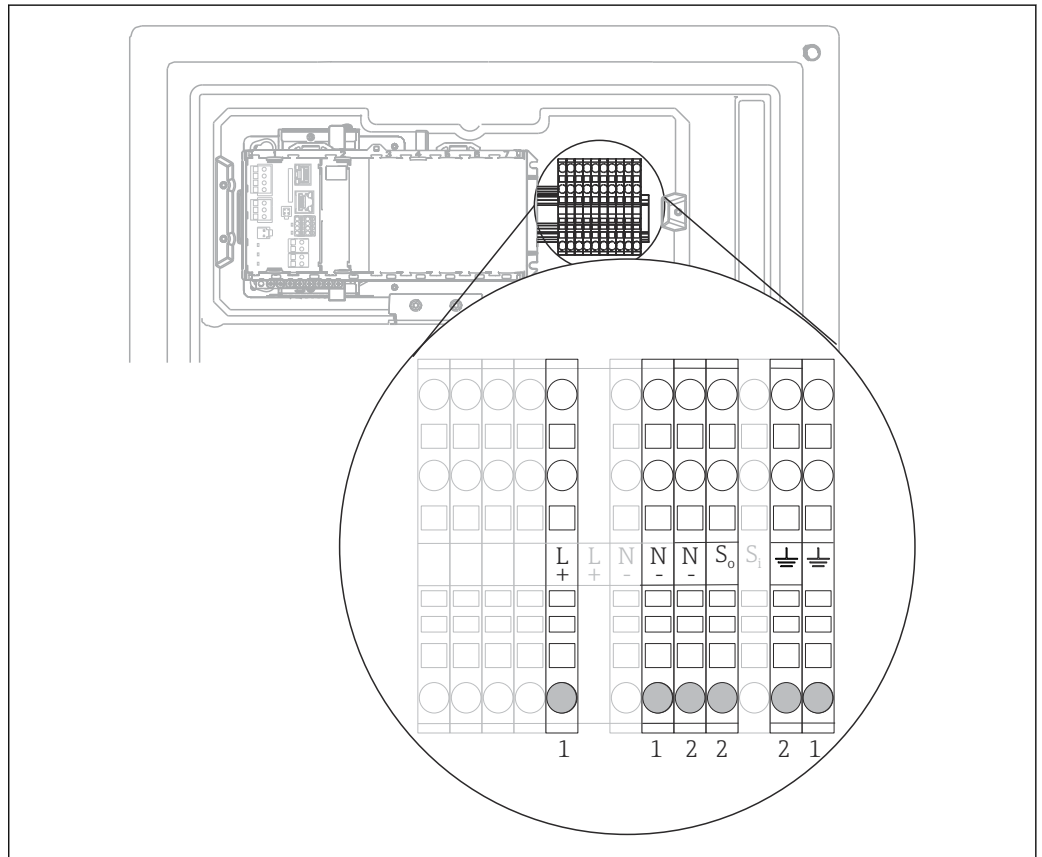
The power supply cable is not included with the delivery and must be provided by the customer.


1. Guide the power supply cable and the cable of the hose heater from below through the cable gland on the inner rear panel of the device and feed them up into the electronics compartment (→  27).



Release the 6 screws on the electronics compartment cover using a Phillips-head screwdriver and fold out the cover towards the front.


3. Connect the cable.



 26 Terminal assignment for the "Outdoor" version

- 1 Terminals for power supply
- 2 Terminals for hose heater

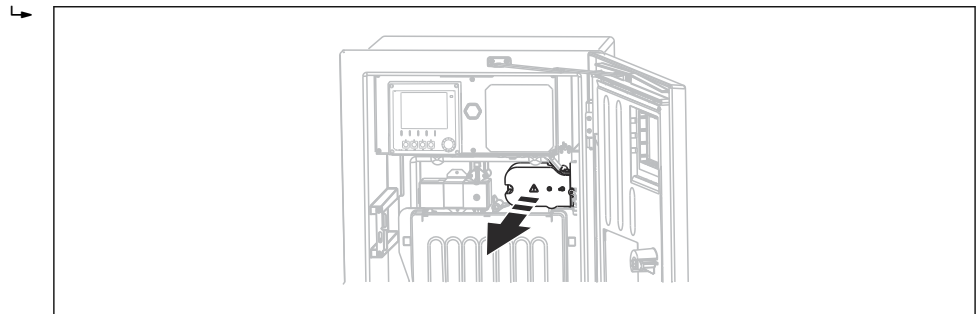
6.2.4 Heating the dilution water

 The dilution water and the hose for dilution water must be heated onsite at the place of installation!

6.3 Connecting sample preparation

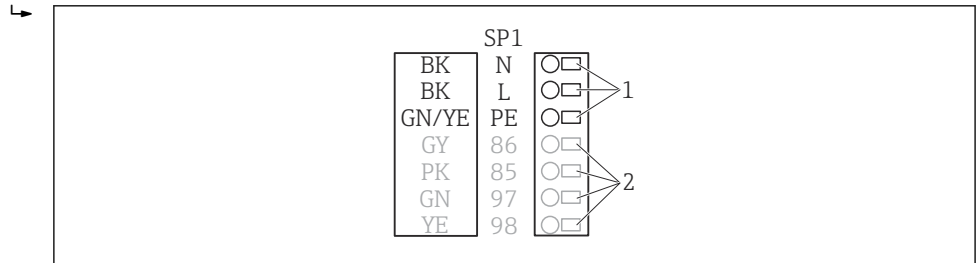
6.3.1 Connecting the optional cleaning valve of Liquiline System CAT810

1. Disconnect the mains plug.
2. To fold out the carrier board towards the front, proceed as described in the "Routing the cables" section .
3. Guide the cable through the cable gland.
4. **Only for order versions with G or NPT glands:**
Replace the pre-installed M-thread cable glands with the G or NPT cable glands that are enclosed. This does not affect the M32 hose glands.
5. Comply with the instructions for protective grounding when installing the analyzer.
6. Remove the protective cover in the upper right-hand corner.



A0044866

7. Connect the cleaning valve to the following plug-in terminals:



A0028926

27 Connection scheme for Liquiline System CAT810

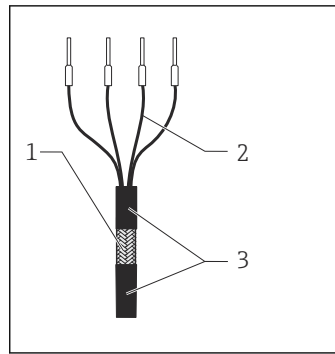
- 1 Liquiline System CAT810, 100 to 120 V/200 to 240 V AC
- 2 Are not used

8. Secure the protective cover after connecting. Make sure that no cables or hoses are jammed.
9. Use the 6 screws to secure the carrier board after connecting.

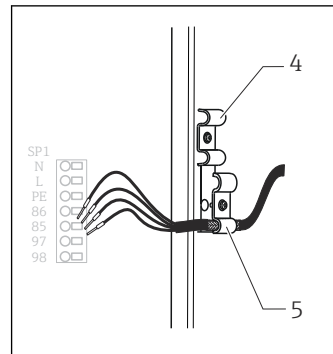
6.3.2 Connecting the optional hose heater and communication between the CAT820/CAT860 and the analyzer

- i** Only use terminated original cables where possible. The sensor cable, fieldbus cable and Ethernet cable must be shielded cables.

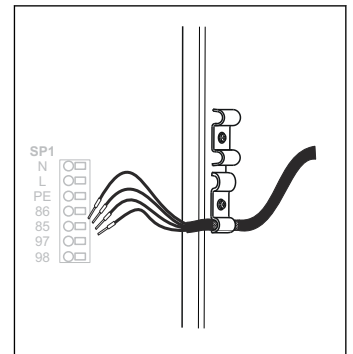
Cable sample (does not necessarily correspond to the original cable supplied)



A0044089



A0044090



A0044091

28 Terminated cable

- 1 Outer shield (exposed)
- 2 Cable cores with ferrules
- 3 Cable sheath (insulation)

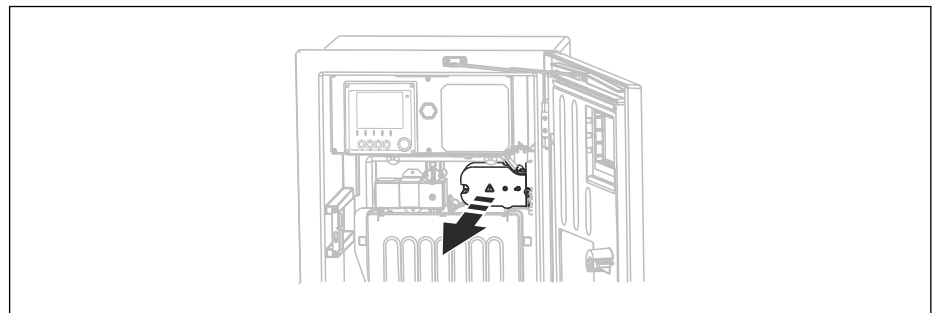
29 Inserting the cable

- 4 Cable clamp for hose heating
- 5 Shielding clamp for Memosens supply and power supply

30 Tightening the screw

(2 Nm)

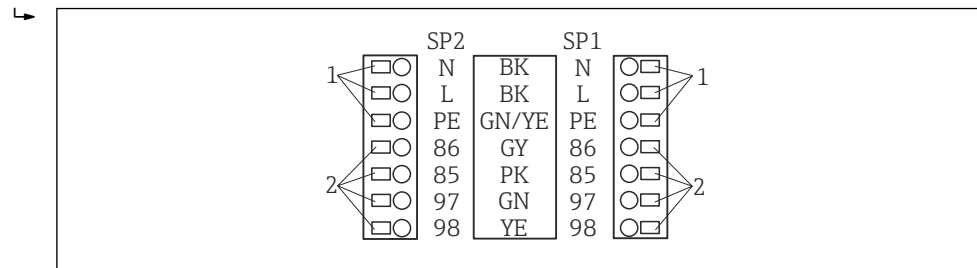
1. Disconnect the mains plug.
2. To fold out the carrier board towards the front, proceed as described in the "Routing the cables" section .
3. Release a suitable hose gland on the right-hand underside of the analyzer and remove the dummy plug from the gland.
4. Guide the spiral hose through the hose gland.
5. **Order versions with G and NPT cable glands:** replace the pre-mounted M-thread cable glands with the G or NPT glands enclosed. This does not affect the M32 hose glands.
6. Comply with the instructions for protective grounding when installing the analyzer.
7. Remove the protective cover in the upper right-hand corner.



A0044866

8. Route the cable in the housing in such a way that the **exposed** cable shield fits into one of the cable clamps and the cable cores can be easily routed as far as the plug-in terminals.
9. Open the cable clamp and clamp the cable in place. Then tighten the screw of the cable clamp.

10. Connect the cable or cables (depending on the version) to the following plug-in terminals:



31 Connection scheme for Liquiline System CAT820 / 860

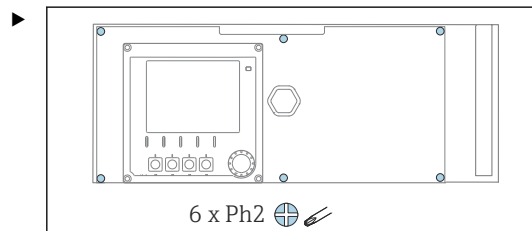
- 1 Hose heater 100 to 120 V/200 to 240 V AC (optional)
 2 Connections for Memosens and communication with analyzer (optional)
 SP1 Sample inlet
 SP2 2nd sample inlet (optional)

11. Secure the protective cover after connecting. Make sure that no cables or hoses are jammed.
 12. Use the 6 screws to secure the carrier board after connecting.

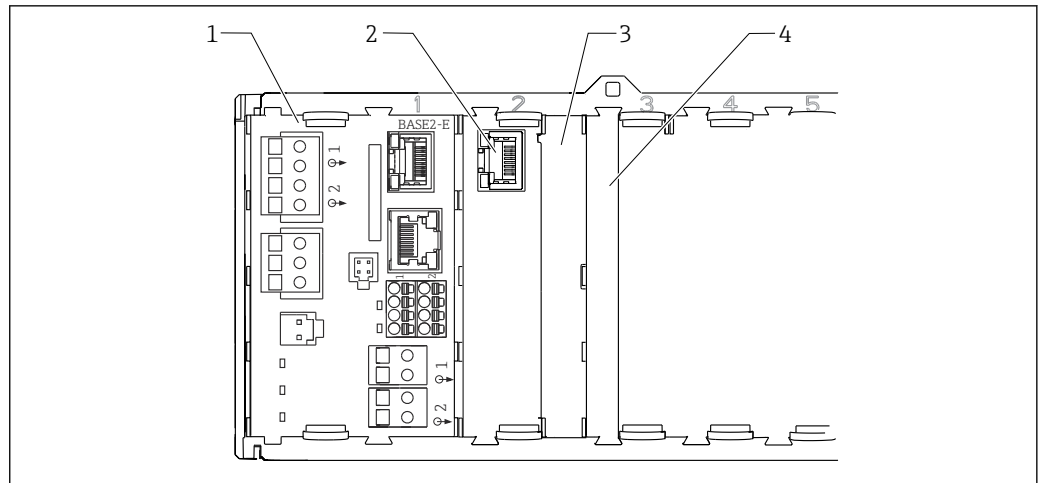
6.4 Connecting the sensors and additional modules

6.4.1 Overview of connection compartment in the controller housing

The controller has a separate connection compartment.



Release the 6 screws on the electronics compartment cover using a Phillips-head screwdriver and fold out the cover towards the front.

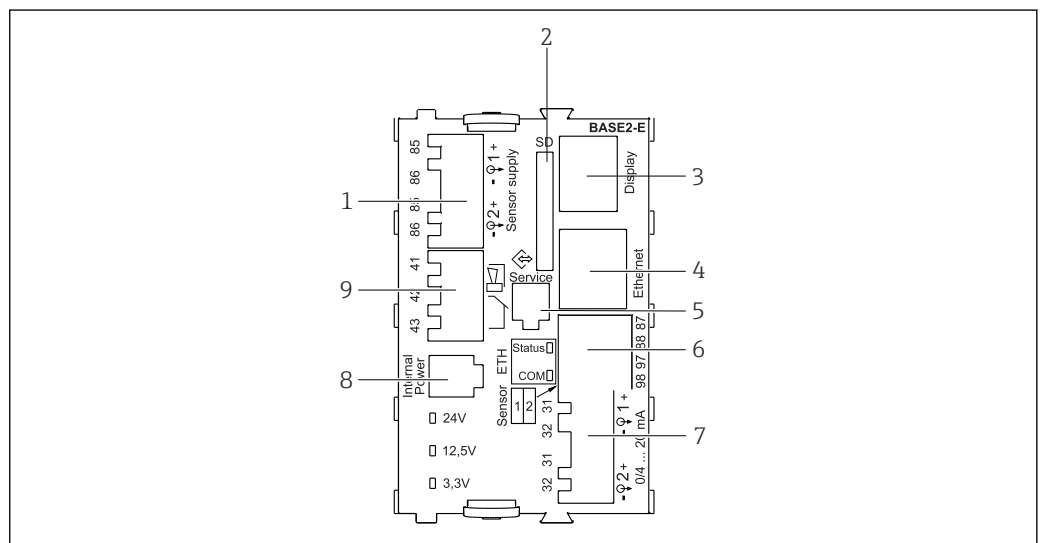


A0044867

32 Connection compartment in the controller housing

- 1 Base module Base2-E
- 2 Analyzer interface
- 3 Dummy cover
- 4 Module cover

Base module E



A0042273

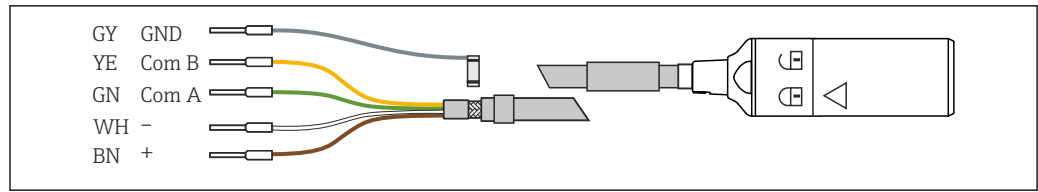
33 BASE2-E

- 1 Power supply for digital fixed cable sensors with Memosens protocol
- 2 SD card slot
- 3 Slot for display cable ¹⁾
- 4 Ethernet interface
- 5 Service interface
- 6 Connections for 2 Memosens sensors
- 7 Current outputs
- 8 Socket for internal power supply cable ¹⁾
- 9 Alarm relay connection

¹⁾ Internal device connection. Do not disconnect the plug!

6.4.2 Connecting the sensors

 Only use terminated original cables where possible.

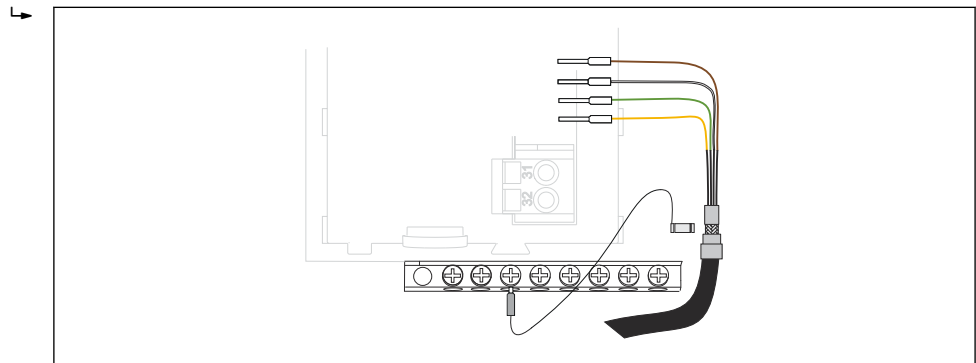


A0024019

34 Example of a Memosens CYK10 data cable

Connecting the ferrules of the sensor cable to the base module E

1. To access the electronics compartment, proceed as described in the "Routing the cables" section .
2. Guide the sensor connecting cable from below through the cable gland on the inner rear panel of the device and feed it up into the electronics compartment.
3. Establish the connection as per → 34, 34.
4. Ground the outer shield of the cable via the metal gland on the grounding rail below the base module E.



A0028930

35 Terminal strip

6.4.3 Connecting additional inputs, outputs or relays

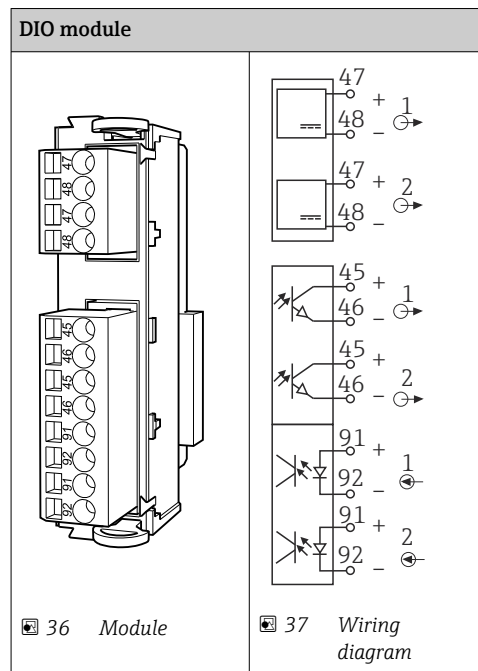
WARNING

Module not covered

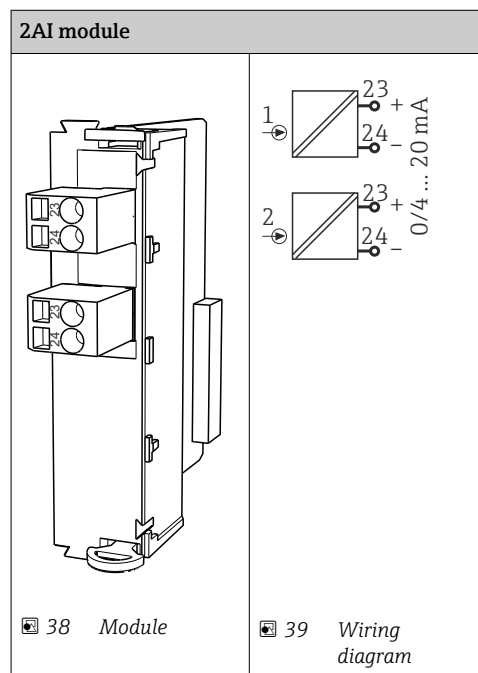
No shock protection. Danger of electric shock!

- ▶ Change or extend the hardware for the **non-hazardous area**: always fill the slots from left to right. Do not leave any gaps.
- ▶ If all of the slots are not occupied in the case of devices for the **non-hazardous area**: always insert a dummy cover or end cover in the slot to the right of the last module → 32, 33. This ensures that the unit is shock-protected.
- ▶ Always ensure shock protection is guaranteed particularly in the case of relay modules (2R, 4R, AOR).
- ▶ Hardware for the **hazardous area** may not be modified. Only the Manufacturer's Service Team may convert a certified device to another certified device version. This includes all modules of the transmitter with an integrated 2DS Ex-i module, as well as changes that concern non-intrinsically safe modules.
- ▶ If additional shields are required, connect them with PE centrally in the control cabinet via terminal blocks supplied by the customer.

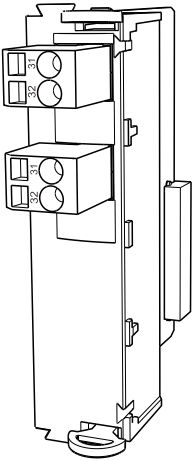
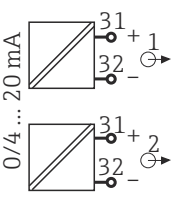
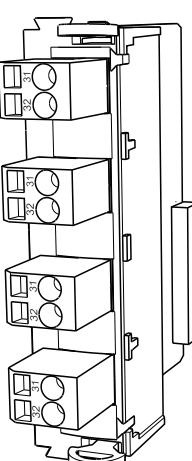
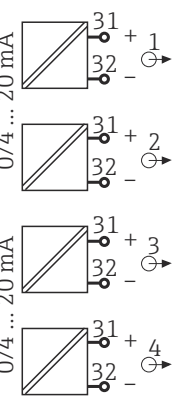
Digital inputs and outputs



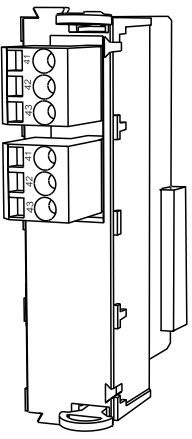
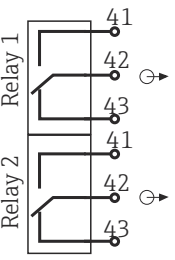
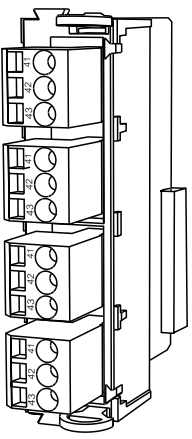
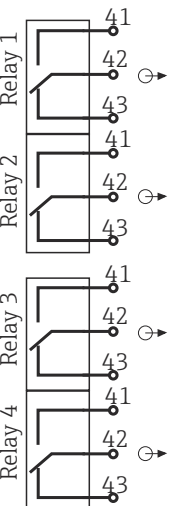
Current inputs



Current outputs

2AO		4AO	
			
40 Module	41 Wiring diagram	42 Module	43 Wiring diagram

Relay

2R module		4R module	
			
44 Module	45 Wiring diagram	46 Module	47 Wiring diagram

Example: Connecting the cleaning unit 71072583 for CAS40D

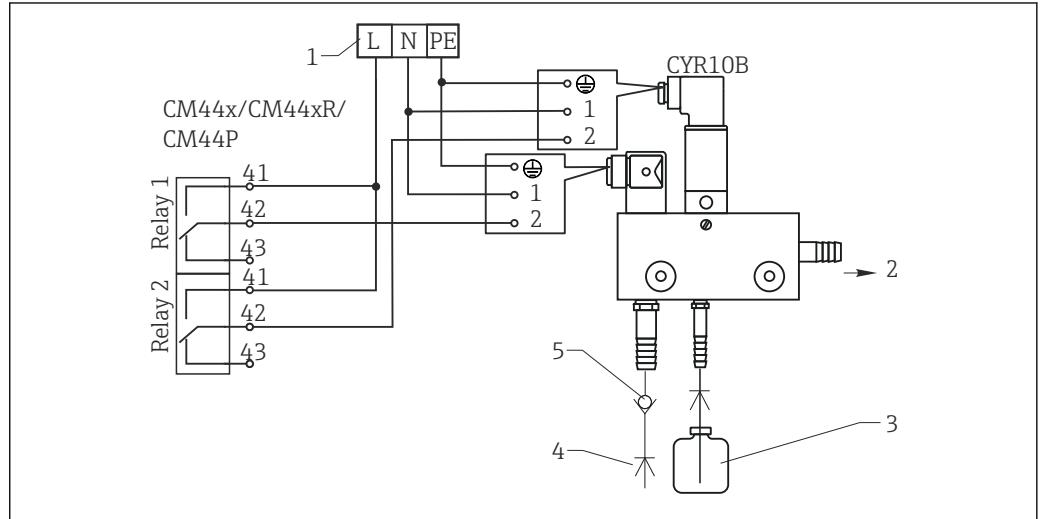
NOTICE

Power consumption too high for the Liquiline alarm relay!

Can cause irreparable damage to the base module

- ▶ Connect the cleaning unit only to terminals of an additional module (AOR, 2R or 4R), **not** to the alarm relay of the base module.

Example: Connecting the Chemoclean CYR10B injector cleaning unit

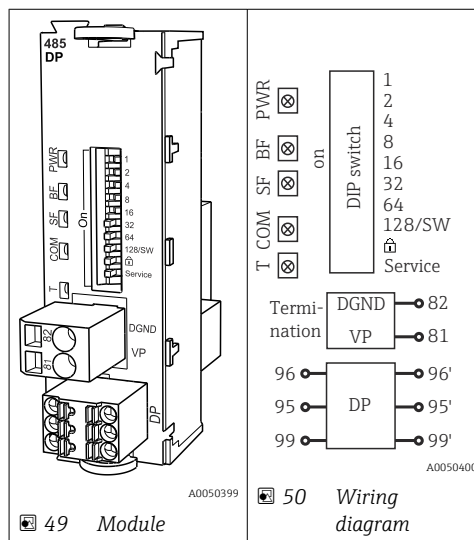


48 Connecting the CYR10B injector cleaning unit

- 1 External power supply
- 2 Cleaner to spray head
- 3 Container with cleaner
- 4 Motive water 2 to 12 bar (30 to 180 psi)
- 5 Backflow valve (to be provided by the customer)

6.4.4 Connecting PROFIBUS DP or Modbus RS485

Module 485DP



49 Module


50 Wiring diagram

Terminal	PROFIBUS DP
95	A
96	B
99	Not connected
82	DGND
81	VP

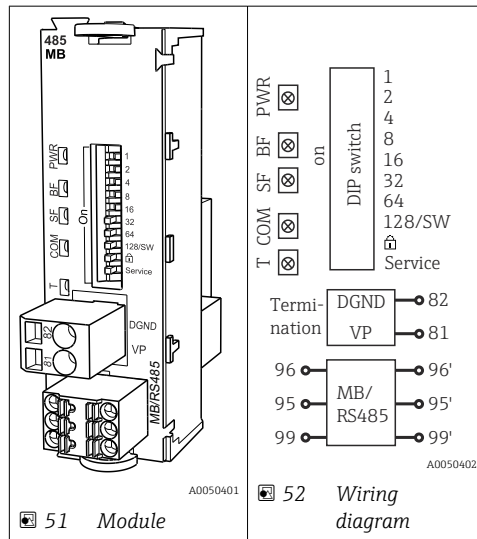
LEDs on front of module

LED	Designation	Color	Description
PWR	Power	GN	Supply voltage is applied and module is initialized.
BF	Bus failure	RD	Bus failure
SF	System failure	RD	Device error
COM	Communication	YE	PROFIBUS message sent or received.
T	Bus termination	YE	<ul style="list-style-type: none"> ■ Off = No termination ■ On = Termination is used

DIP switches on front of module

DIP	Factory setting	Assignment
1-128	ON	Bus address (-> "Commissioning/communication")
	OFF	Write protection: "ON" = configuration not possible via the bus, only via local operation
Service	OFF	The switch has no function

Module 485MB




Terminal	Modbus RS485
95	B
96	A
99	C

Terminal	Modbus RS485
82	DGND
81	VP

LEDs on front of module

LED	Designation	Color	Description
PWR	Power	GN	Supply voltage is applied and module is initialized.
BF	Bus failure	RD	Bus failure
SF	System failure	RD	Device error
COM	Communication	YE	Modbus message sent or received.
T	Bus termination	YE	<ul style="list-style-type: none"> ■ Off = No termination ■ On = Termination is used

DIP switches on front of module

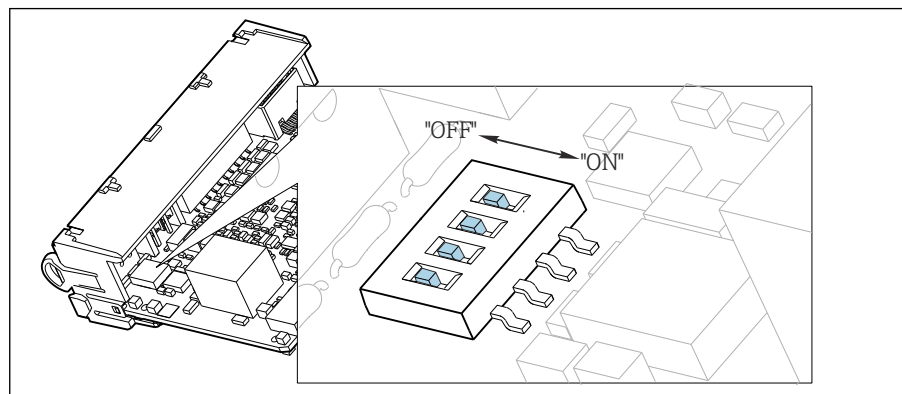
DIP	Factory setting	Assignment
1-128	ON	Bus address (→ "Commissioning/communication")
	OFF	Write protection: "ON" = configuration not possible via the bus, only via local operation
Service	OFF	The switch has no function


6.5 Hardware settings

6.5.1 Bus termination (only module 485DP or 485MB)

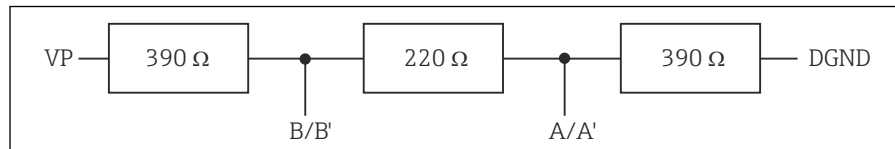
There are 2 ways to terminate the bus:

1. Internal termination (via DIP switch on module board)



 53 *DIP switch for internal termination*

- ▶ Using a suitable tool such as a tweezer, move all four DIP switches to the "ON" position.
 - ↳ The internal termination is used.



54 Structure of internal termination

2. External termination

Leave the DIP switches on the module board in the "OFF" position (factory setting).

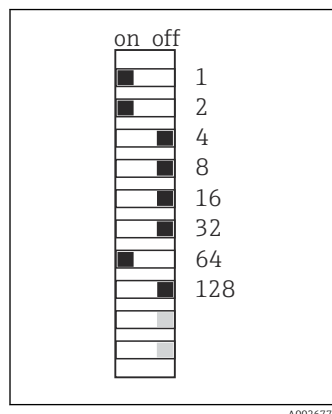
- ▶ Connect the external termination to terminals 81 and 82 on the front of module 485DP or 485MB for 5-V power supply.
 - ↳ The external termination is used.

6.5.2 Bus address

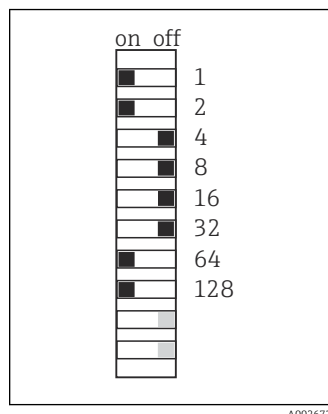
Setting the bus address

1. Open the housing.
2. Set the desired bus address via the DIP switches of module 485DP or 485MB.

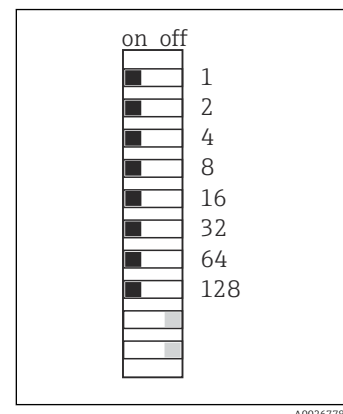
i For PROFIBUS DP, valid bus addresses are anything between 1 and 126, and anything between 1 and 247 for Modbus. If you configure an invalid address, software addressing is automatically enabled via the local configuration or via the fieldbus.



A0026776



A0026777



A0026778

55 Valid PROFIBUS address 67 56 Valid Modbus address 195 57 Invalid address 255 ¹⁾

¹⁾ Order configuration, software addressing is active, software address configured at the factory: PROFIBUS 126, Modbus 247

6.6 Ensuring the degree of protection

Only the mechanical and electrical connections which are described in these instructions, and which are necessary for the required intended use, may be established on the device delivered.

- ▶ Exercise care when carrying out the work.

Individual types of protection permitted for this product (impermeability (IP), electrical safety, EMC interference immunity, explosion protection) can no longer be guaranteed if, for example:

- Covers are left off
- Different power units to the ones supplied are used
- Cable glands are not sufficiently tightened (must be tightened with 2 Nm (1.5 lbf ft) for the permitted level of IP protection)

- Unsuitable cable diameters are used for the cable glands
- Modules are not fully secured
- The display is not fully secured (risk of moisture entering due to inadequate sealing)
- Cables/cable ends are loose or insufficiently tightened
- Conductive cable strands are left in the device

6.7 Post-connection check

WARNING

Connection errors

The safety of people and of the measuring point is at risk! The manufacturer does not accept any responsibility for errors that result from failure to comply with the instructions in this manual.

- ▶ Put the device into operation only if you can answer **yes** to **all** the following questions.

Device condition and specifications

- ▶ Are the device and all the cables free from damage on the outside?


Electrical connection

- ▶ Are the mounted cables strain relieved?
- ▶ Are the cables routed without loops and cross-overs?
- ▶ Are the signal cables correctly connected as per the wiring diagram?
- ▶ Are all plug-in terminals securely engaged?
- ▶ Are all the connection wires securely positioned in the cable terminals?

7 System integration

7.1 Overview of device description files

7.1.1 Device identification

→  172, protocol-specific data

7.1.2 Source for device description and device master files

Downloading device drivers

1. Go to the website: www.endress.com/downloads.
↳ A dropdown list is displayed.
2. Select: device driver.
3. Narrow your search by specifying the driver type, product root and communication protocol.
4. Search.
5. Click the suitable entry from the list of hits.
↳ You receive the download links including an extended description.

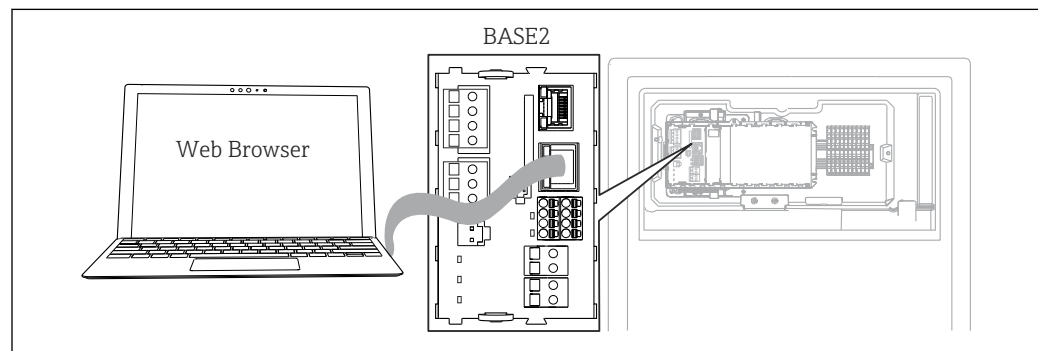
7.2 Integrating the measuring instrument into the system

7.2.1 Web server

 Versions without fieldbus: An activation code is required for the web server.

Connection

- ▶ Connect the communication cable of the computer to the Ethernet port of the BASE2 module.



 58 Web server/Ethernet connection

A0044872

Establishing the data connection

All versions with the exception of PROFINET:

To ensure that your device has a valid IP address, you must disable the **DHCP** parameter in the Ethernet settings. (**Menu/Setup/General settings/Extended setup/Ethernet/Settings**)


You can assign the IP address manually in the same menu (for point-to-point connections).

All versions including PROFINET:

You will find the IP address and subnet mask of the device under: **DIAG/System information/Ethernet**.

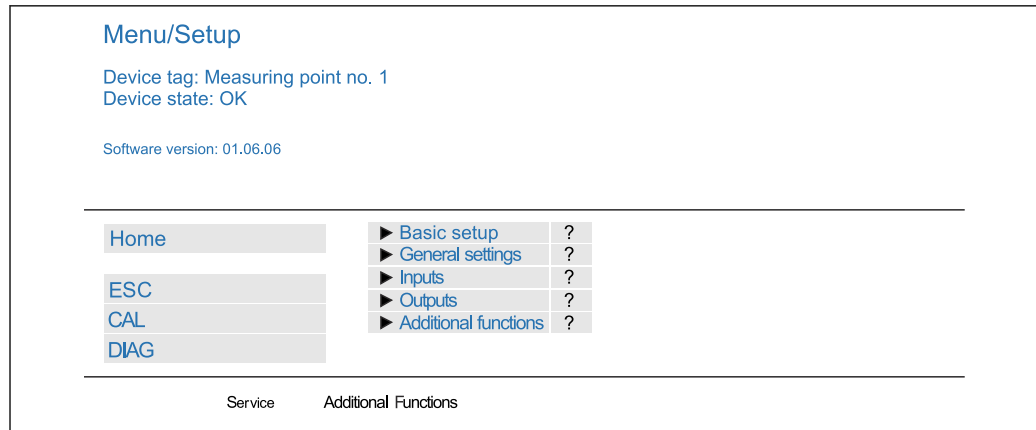
1. Start your PC.
2. First, configure a manual IP address in the network connection settings of the operating system.

Example: Microsoft Windows 10

3. Open Network and Sharing Center.
 - ↳ Apart from your standard network, you should see an additional Ethernet connection (e.g. as an "unidentified network").
 4. Select the link to this Ethernet connection.
 5. In the pop-up window select the "Properties" button.
 6. Double-click "Internet Protocol Version 4 (TCP/IPv4)".
 7. Select "Use the following IP Address".
 8. Enter the desired IP address. This address must be in the same subnet as the IP address of the device, e.g.:
 - ↳ IP address for Liquiline: 192.168.1.212 (as configured previously)
 - IP address for PC: 192.168.1.213.
 9. Start the Internet browser.
 10. If you use a proxy server to connect to the Internet:
 - Disable the proxy (browser settings under "Connections/LAN settings").
 11. Enter the IP address of your device in the address bar (192.168.1.212 in the example).
 - ↳ The system takes a few moments to establish the connection and then the CM44 web server starts. You might be asked for a password. The factory setting is "admin" for the user name and "admin" for the password.
 12. Enter the following address(es) to download logbooks:
 - ↳ 192.168.1.212/logbooks_csv.fhtml (for logbooks in CSV format)
 - 192.168.1.212/logbooks_fdm.fhtml (for logbooks in FDM format)
-  Downloads in FDM format can be securely transmitted, saved and visualized with Endress+Hauser's "Field Data Manager Software".
(→ www.endress.com/ms20)

Operation

The menu structure of the web server corresponds to the onsite operation.



59 Example of web server (menu/language=English)

- Clicking a menu name or a function corresponds to pressing the navigator.
- You can make your settings conveniently via the computer keyboard.

i Instead of using an Internet browser, you can also use FieldCare for configuration via Ethernet. The Ethernet DTM required for this is an integral part of the "Endress +Hauser Interface Device DTM Library".

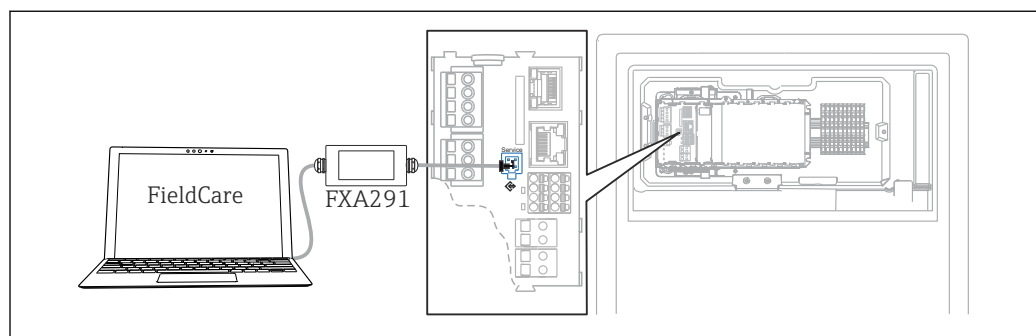
Download: <https://portal.endress.com/webdownload/FieldCareDownloadGUI/>

7.2.2 Service interface

You can connect the device to a computer via the service interface and configure it using "FieldCare". Furthermore, configurations can also be saved, transferred and documented.

Connection

1. Connect the service connector to the interface on the Liquiline base module and connect it to the Commubox.
2. Connect the Commubox via the USB connection to the computer on which FieldCare is installed.



60 Connection overview

Establishing the data connection

1. Start FieldCare.
2. Establish a connection to the Commubox. To do so, select the "CDI Communication FXA291" ComDTM.
3. Then select the "Liquiline CM44x" DTM and start configuration.

You can now start online configuration via the DTM.

Online configuration competes with onsite operation, i.e. each of the two options blocks the other one. On both sides it is possible to take away access from the other side.

Operation

- In the DTM the menu structure corresponds to the onsite operation. The functions of the Liquiline soft keys are found in the main window on the left.
- Clicking a menu name or a function corresponds to pressing the navigator.
- You can make your settings conveniently via the computer keyboard.
- You can use FieldCare to save logbooks, make backups of configurations and transfer configurations to other devices.
- You can also print out configurations or save them as PDFs.

7.2.3 Fieldbus systems

PROFIBUS DP

Communication via PROFIBUS DP is possible with module 485DP and the appropriate device version.

- ▶ Connect the PROFIBUS data cable to the terminals of the fieldbus module as described .

 For detailed information on "PROFIBUS communication", see the product pages on the Internet (→ SD01188C).

Modbus

Communication via Modbus RS485 is possible with module 485MB and the appropriate device version.

Communication via Modbus TCP is possible with module BASE2.

The RTU and ASCII protocols are available when connecting via Modbus RS485. You can switch to ASCII on the device.


- ▶ Connect the Modbus data cable to the terminals of module 485MB (RS 485) or to the RJ45 socket of module BASE2 (TCP) as described.

 For detailed information on "Modbus communication", see the product pages on the Internet (→ SD01189C).

EtherNet/IP

Communication via EtherNet/IP is possible with module BASE2 and the appropriate device version.


- ▶ Connect the EtherNet/IP data cable to the RJ45 socket of module BASE2.

 For detailed information on "Ethernet/IP communication", see the product pages on the Internet (→ SD01293C).

PROFINET

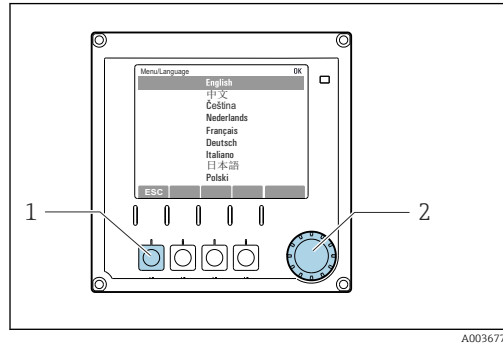
Communication via PROFINET is possible with module BASE2 and the appropriate device version.

- ▶ Connect the PROFINET data cable to the RJ45 socket of module BASE2.

 For detailed information on "PROFINET communication", see the product pages on the internet (→ SD02490C).

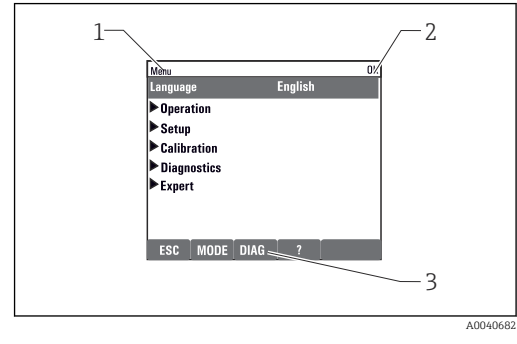
8 Operation options

8.1 Structure and function of the operating menu



61 Display (example)

- 1 Soft key (press function)
- 2 Navigator (jog/shuttle and press/hold function)




62 Display (example)


- 1 Menu path and/or device designation
- 2 Status indicator
- 3 Assignment of soft keys, ESC: Go back, MODE: Fast access to frequently used functions, DIAG: Link to Diagnostics menu ?: Help, if available

8.2 Access to operating menu via local display


8.2.1 Locking or unlocking operating keys

Locking operating keys

1. Press the navigator for longer than 2 s.
 - ↳ A context menu for locking the operating keys is displayed. You have the choice of locking the keys with or without password protection. "With password" means that you can only unlock the keys again by entering the correct password. Set this password here: **Menu/Setup/General settings/Extended setup/Data management/Change key lock password.**
2. Select whether to lock keys with or without a password.
 - ↳ The keys are locked. No more entries can be made. In the soft key bar, you will see the  symbol.

 The password is 0000 when the device is delivered from the factory. **Make sure to note down any changes to the password**, as otherwise you will not be able to unlock the keypad yourself.

Unlocking operating keys

1. Press the navigator for longer than 2 s.
 - ↳ A context menu for unlocking the operating keys is displayed.
2. **Key unlock .**
 - ↳ The keys are unlocked immediately if you did not choose to lock with a password. Otherwise you are asked to enter your password.
3. Only if keypad is password-protected: enter the right password.
 - ↳ The keys are unlocked. It is possible to access the entire onsite operation again. The  symbol is no longer visible on the display.

8.2.2 Configuration options

Display only

- You can only read the values but cannot change them.
- Typical read-only values are: analyzer data, sensor data and system information
- Example: **Menu/Setup/Analyzer/./Measuring parameter**


Picklists

- You receive a list of options. In a few cases, these also appear in the form of multiple choice boxes.
- Usually you just select one option; in rare instances you select one or more options.

Numerical values

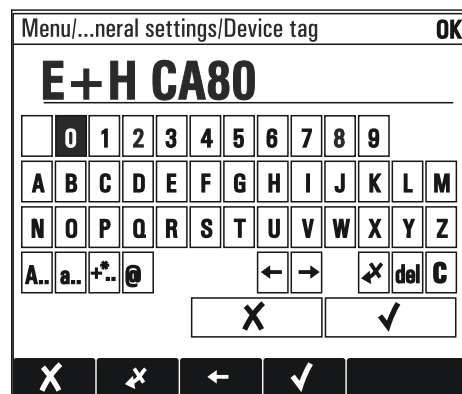
- You are changing a variable.
- The maximum and minimum values for this variable are shown on the display.
- Configure a value within these limits.

Actions

- You trigger an action with the appropriate function.
- You know that the item in question is an action if it is preceded by the following symbol: 
- Examples of typical actions include:
 - Deleting log entries
 - Saving or loading configurations
 - Triggering cleaning programs

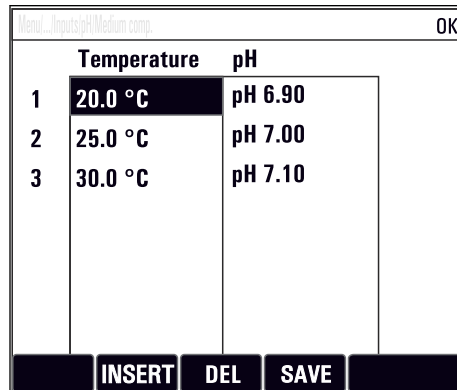
User-defined text

- You are assigning an individual designation.
- Enter a text. You can use the characters in the editor for this purpose (upper-case and lower-case letters, numbers and special characters).
- Using the soft keys, you can:
 - Cancel your entries without saving the data (✗)
 - Delete the character in front of the cursor (✗)
 - Move the cursor back one position (←)
 - Finish your entries and save (✓)



Tables

- Tables are needed to map mathematical functions or to enter irregular interval samples.
- You edit a table by navigating through rows and columns with the navigator and changing the values of the cells.
- You only edit the numerical values. The controller automatically takes care of the engineering units.
- You can add rows to the table (**INSERT** soft key) or delete them (**DEL** soft key).
- Afterwards, you save the table (**SAVE** soft key).
- You can also cancel your entries any time using the **X** soft key.
- Example: **Menu/Setup/Inputs/pH/Medium comp.**



	Temperature	pH
1	20.0 °C	pH 6.90
2	25.0 °C	pH 7.00
3	30.0 °C	pH 7.10

Menu/Setup/Inputs/pH/Medium comp. OK

INSERT DEL SAVE

9 Commissioning

Before the supply voltage is applied

On account of the device design, high switch-on currents occur when the device is commissioned at low temperatures. The power value indicated on the nameplate refers to the power consumption after one minute of operation when the device is commissioned at 5 °C (41 °F).

- ▶ **"Outdoor" version only:** To avoid overloading the power cable or triggering the mains fuse, only commission the device at temperatures ≥ 5 °C (41 °F).
- ▶ **"Outdoor" version only:** At the place of installation, provide a power supply equipped with a failure current protection switch.

Automatic cleaning function for the suction hose

Risk of injury from contact with very acidic cleaning solution

- ▶ Do not shorten the system intake hose.




Activities while the analyzer is in operation

Risk of injury and infection from medium!

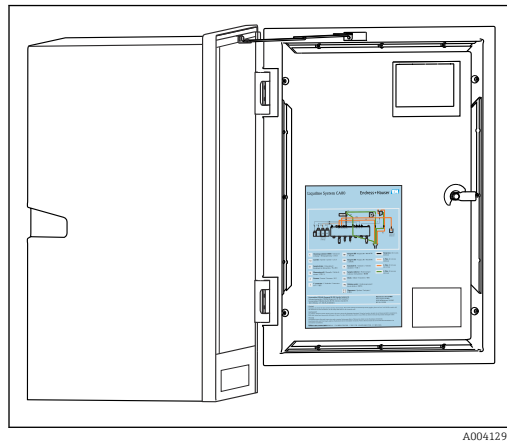
- ▶ Before you release any hoses, make sure that no actions, such as the pumping of sample, are currently running or are due to start shortly.
- ▶ Wear protective clothing, goggles and gloves or take other suitable measures to protect yourself.
- ▶ Wipe up any spilt reagent with a disposable tissue and rinse with clear water. Then dry the cleaned areas with a cloth.

9.1 Preparations

9.1.1 Commissioning steps

1. Connect the liquid-bearing hoses of the sample supply system. →  51
2. Check that the hoses of the sample preparation system are mounted correctly in the hose glands. It should not be possible to remove the hoses without the application of force.
3. Visually inspect all the hose connections to ensure everything is correct. Use the hose connection diagram →  50.
4. If present, connect the communication cable and hose heater of the sample preparation system to the analyzer.
5. Insert the bottles and make the most important menu settings. →  53

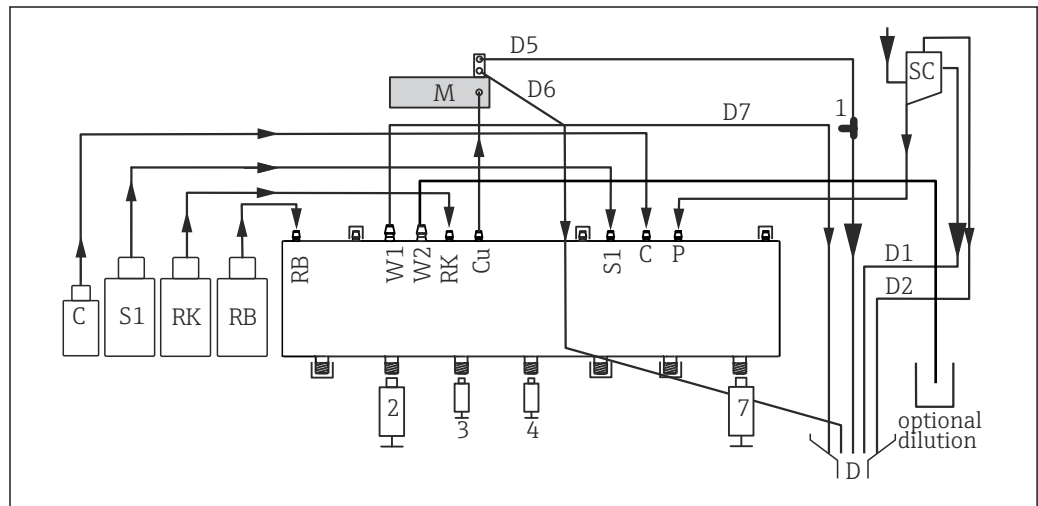
9.1.2 Hose connection diagram



The diagrams below reflect the status at the time of issue of this documentation. The hose connection diagram that applies for your device version is provided on the inside of the door of the analyzer.

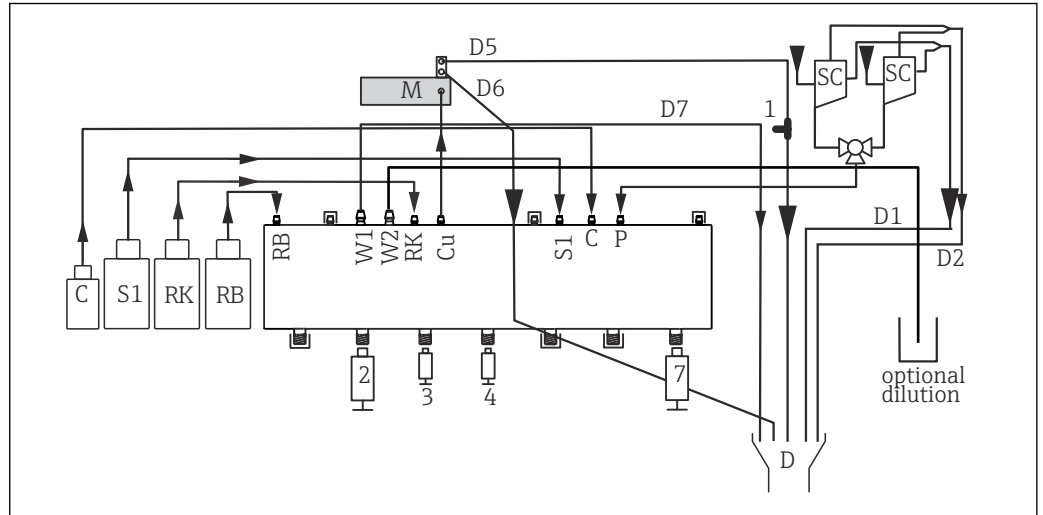
- ▶ Only connect the hoses as specified in this diagram.

63 Hose connection diagram



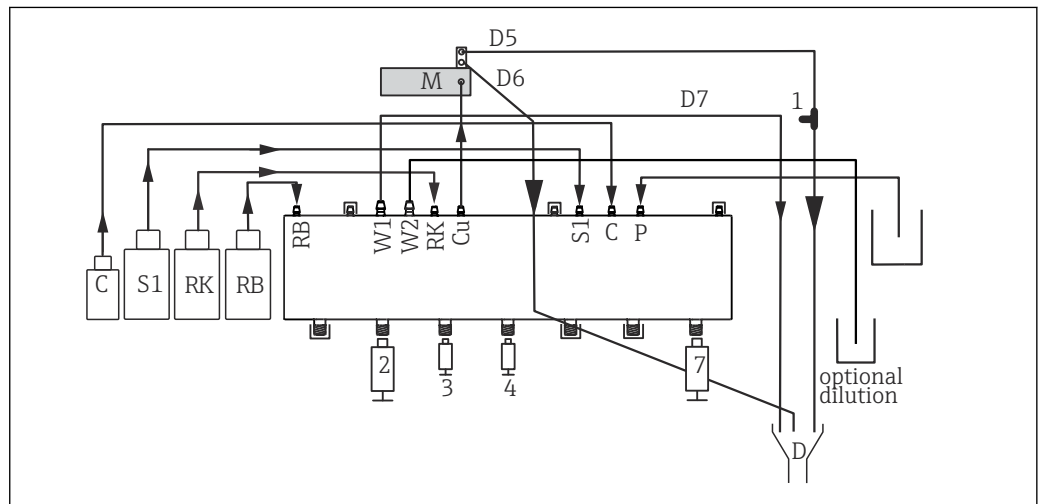
64 Liquiline System CA80CR, single-channel device

C	Cleaner	M	Photometer/measuring cell
S1	Standard 1	P	Sample
RK	Reagent RK	2, 3, 4, 7	Dispensers
RB	Reagent RB	D	Outlet
W1	Outlet	SC	Sample collecting vessel
Cu	Cuvette	1	T-piece



65 *Liquiline System CA80CR, two-channel device*

C	Cleaner	M	Photometer/measuring cell
S1	Standard 1	P	Sample
RK	Reagent RK	2, 3, 4, 7	Dispensers
RB	Reagent RB	D	Outlet
W1	Outlet	SC	Sample collecting vessel
Cu	Cuvette	1	T-piece



66 *Liquiline System CA80CR, self-priming*

C	Cleaner	M	Photometer/measuring cell
S1	Standard 1	P	Sample
RK	Reagent RK	2, 3, 4, 7	Dispensers
RB	Reagent RB	D	Outlet
W1	Outlet	Cu	Cuvette
1	T-piece		

9.1.3 Connecting the sample inlet hose

1. Ensure a constant and sufficient supply of sample at the installation location.
2. Connect the liquid-bearing hoses of the sample supply system.
3. Self-priming system: connect the intake hose supplied (2 m (6.56 ft)) to the Liquid Manager ("sample", → hose connection diagram) and guide it through the hose gland of the analyzer to the outside.

4. If present, connect the communication cable and hose heater of the sample preparation system to the analyzer.
5. Ensure that only sample that has a low solids content is supplied, as otherwise there is a risk of blockage.

9.2 Installation and function check

WARNING

Incorrect connection, incorrect supply voltage

Safety risks for staff and device malfunctions!

- ▶ Check that all connections have been established correctly in accordance with the wiring diagram.
- ▶ Ensure that the supply voltage matches the voltage indicated on the nameplate.

WARNING

Connection errors

The safety of people and of the measuring point is under threat. The manufacturer does not accept any responsibility for errors that result from failure to comply with the instructions in this manual.

- ▶ Put the device into operation only if you can answer **yes** to **all** the following questions.

Device condition and specifications

- ▶ Are the hoses free from damage on the outside?

Visual inspection of the liquid-bearing lines

- ▶ Check the hose connections using the hose connection diagram.
- ▶ Is the suction line connected to the sample collector (if present)?
- ▶ Are the dispensers inserted correctly?
- ▶ Can the dispensers move up and down freely?
- ▶ Are all the hose connections leak-tight?
- ▶ If sample preparation is provided: has the connection been made? Are the protective hoses in the hose glands strain-relieved?
- ▶ If sample preparation is not connected: is the sample hose in the hose gland strain-relieved?
- ▶ Have the bottles with reagents, and standard been inserted and connected?

9.3 Switching on the measuring instrument

1. Connect the power supply.
2. Wait for the initialization to finish.

9.4 Setting the operating language

Configuring the language

1. Press the soft key: **MENU**.
2. Set your language in the top menu item.
 - ↳ The device can now be operated in your chosen language.

9.5 Configuring the measuring instrument

9.5.1 Analyzer basic setup

Making basic settings

1. Switch to the menu **Setup/Basic setup analyzer**.
 - ↳ Make the following settings.
 - Device tag
Give your device any name of your choice (max. 32 characters).
 - Set date
Correct the set date if necessary.
 - Set time
Correct the set time if necessary.
2. Insert the bottles and activate the bottles used in the menu: **Bottle insertion/Bottle selection**.
3. Check the concentration of the calibration standard used: **Calibration/Settings/Nominal concentration**.
4. Optionally, also change the measuring interval: **Measurement/Measuring interval**.
 - ↳ All the other settings can be left in the default factory settings for the time being.
5. Return to the measuring mode: press and hold the soft key for **ESC** for at least one second.
 - ↳ Your analyzer now works with your general settings. Optionally connected sensors use the factory settings of the specific sensor type and the individual calibration settings that were last saved.

If you want to already configure additional input and output parameters in the **Basic setup analyzer**:

- ▶ Configure the current outputs, relays, limit switches and device diagnostics with the following submenus.

10 Operation

10.1 Display

10.1.1 Soft keys in measuring mode

On the bottom row of the display you can find four soft keys in the measuring screens:

- With **MENU** and **DIAG** take you directly to the specific software menu.
- With **HOLD** you can activate an immediate, general hold for sensors. This also sets all the linked outputs, controllers and cleaning cycles to HOLD. Any sensor cleaning programs that are currently running are interrupted. However, you can also start manual sensor cleaning when a hold is active.
- With **MODE** takes you to a picklist of frequently used software functions.

10.1.2 Measuring mode

There are different display modes: (press the navigator button to change the mode)

- (1) Overview of all the inputs and outputs
- (2) Analyzer measured value or main measured value of an input or output or the status of a relay
- (3) Smaller visualization of the analyzer measured value or main and secondary measured value in the case of a sensor input
- (4) Analyzer measured value and pending actions or all measured values in the case of a sensor input
- (5) **Only for analyzer measured value:**
Graphic display

There are also submenus:

(6) User-definable measuring menus (only available if already defined)

Selection of previously configured screens

Change of channel to modes (2) - (5)

- ▶ Turn the navigator.
 - ↳ The display changes from channel to channel.

10.1.3 Device status

Icons on the display alert you to special device states.

Icon	Location	Description
F	Header bar	Diagnostic message "Failure"
M	Header bar	Diagnostic message "Maintenance request"
C	Header bar	Diagnostic message "Check"
S	Header bar	Diagnostic message "Out of specification"
↔	Header bar	Fieldbus or TCP/IP communication active
⏸	Header bar	Hold active (for sensors)
⏸	At measured value	Hold for the actuator (current output, limit switch etc.) is active
⏶	At measured value ¹⁾	An offset has been added to the measured value
⊗	At measured value	Measured value in "Bad" or "Alarm" state
ATC	At measured value	Automatic temperature compensation active (for sensors)
MTC	At measured value	Manual temperature compensation active (for sensors)
SIM	Header bar	Simulation mode active or Memocheck SIM connected

Icon	Location	Description
SIM	At measured value	The measured value is influenced by a simulated value
	At measured value	The displayed measured value is simulated (for sensors)
	Header bar	Controller is active

1) Only pH or ORP measurement

If two or more diagnostic messages occur simultaneously, only the icon for the message with the highest priority is shown on the display (for the order of priority according to NAMUR, → 128).

10.1.4 Assignment views

Assignment views, e.g. **Channel assignment view**, appear as the last function in many sections of the menu. You can use this function to see which actuators or functions are connected to an input or output. The assignments appear in hierarchical order.

10.2 General settings

10.2.1 Basic settings

Menu/Setup/General settings		
Function	Options	Info
Temperature unit	Selection <ul style="list-style-type: none"> ▪ °C ▪ °F ▪ K Factory setting °C	
Current output range	Selection <ul style="list-style-type: none"> ▪ 0..20 mA ▪ 4..20 mA Factory setting 4..20 mA	In accordance with NAMUR NE43, the linear range is 3.8 to 20.5 mA (4..20 mA) or 0 to 20.5 mA (0..20 mA). If the range is exceeded or undershot, the current value stops at the range limit and a diagnostic message (460 or 461) is output.
Failure current	0.0 to 23.0 mA Factory setting 22.5 mA	The function meets NAMUR NE43. ► Set the current value that should be output at the current outputs in the event of an error.
The value for Failure current should be outside the measuring range. If you have selected Current output range = 0..20 mA , you should set a fault current between 20.1 and 23 mA. If Current output range = 4..20 mA is selected, you could also define a value of < 4 mA as a fault current. The device allows a fault current within the measuring range. In such instances, pay attention to any effects this may have on your process.		
Alarm delay	0 to 9999 s Factory setting 0 s	The software displays only the errors that are present longer than the set delay time. This makes it possible to suppress messages that only occur briefly and are caused by normal process-specific fluctuations.
Device hold	Selection <ul style="list-style-type: none"> ▪ Disabled ▪ Enabled Factory setting Disabled	You can enable an immediate, general hold (for sensors) here. The function acts in the same way as the HOLD softkey in the measuring screens.

10.2.2 Date and time

Menu/Setup/General settings/Date/Time		
Function	Options	Info
Set date	Depends on the format	Editing mode: Day (two-digit): 01 to 31 Month (two-digit): 01 to 12 Year (four-digit): 1970 to 2106
Set time	Depends on the format	Editing mode: hh (hour): 00 to 23 / 0 am to 12 pm mm (minutes): 00 to 59 ss (seconds): 00 to 59
▶ Extended setup		
Date format	Selection <ul style="list-style-type: none"> ▪ DD.MM.YYYY ▪ YYYY-MM-DD ▪ MM-DD-YYYY Factory setting DD.MM.YYYY	▶ Select a date format.
Time format	Selection <ul style="list-style-type: none"> ▪ hh:mm am (12h) ▪ hh:mm (24h) ▪ hh:mm:ss (24h) Factory setting hh:mm:ss (24h)	▶ Choose between 12-hour display or 24-hour display. Seconds can also be displayed with the latter version.
Time zone	Selection <ul style="list-style-type: none"> ▪ None ▪ Choice of 35 time zones Factory setting None	None = Greenwich Mean Time (London).
DST	Selection <ul style="list-style-type: none"> ▪ Off ▪ Europe ▪ USA ▪ Manual Factory setting Off	The controller adapts the summertime/normal time changeover automatically if you choose European or American daylight saving time. Manual means that you can specify the start and end of daylight saving time yourself. Here, two additional submenus are displayed in which you specify the changeover date and time.

10.2.3 Hold settings

Menu/Setup/General settings/Hold settings		
Function	Options	Info
Settings automatic Hold		
Hold release time	0 to 600 s Factory setting 0 s	The hold status is maintained for the duration of the delay time when you switch to the measuring mode.

Menu/Setup/General settings/Hold settings		
Function	Options	Info
Setup menu	Selection <ul style="list-style-type: none"> ▪ Disabled ▪ Enabled Factory setting Disabled	► Decide whether the device outputs should switch to the defined hold state when the particular menu is opened.
Diagnostics menu		
Calibration active	Factory setting Enabled	
External hold	Selection <ul style="list-style-type: none"> ▪ Disabled ▪ Enabled Factory setting Disabled	

10.2.4 Logbooks

Logbooks record the following events:

- Calibration/adjustment events
- Operator events
- Diagnostic events
- Analyzer events
- Measured values

You define how the logbooks should store the data.

In addition, you can also define individual data logbooks for sensors.

1. Assign the logbook name.
2. Select the measured value to be recorded.
3. Set the scan time (**Scan time**).
 - ↳ You can set the scan time individually for every data logbook.


 Further information on the logbooks: .

Data logbooks only apply for sensors (optional). There are special data logbooks for the analyzer. These logbooks are automatically enabled and assigned to the measuring channel.

SP1: Data logbook SP1 is assigned to measuring channel 1 of the analyzer.

Menu/Setup/General settings/Logbooks		
Function	Options	Info
Logbook ident	Customized text, 16 characters	Part of the file name when exporting a logbook
Event logbook	Selection <ul style="list-style-type: none"> ▪ Off ▪ Ring buffer ▪ Fill up buffer Factory setting Ring buffer	All diagnostic messages are recorded Ring buffer If the memory is full, the most recent entry automatically overwrites the oldest entry. Fill up buffer If the memory is full, there is an overflow, i. e. you cannot store any new values. The controller displays a corresponding diagnostic message. The memory then has to be cleared manually.

Menu/Setup/General settings/Logbooks		
Function	Options	Info
Analyzer event logbook	Selection <ul style="list-style-type: none"> ▪ Ring buffer ▪ Fill up buffer Factory setting Ring buffer	All diagnostic messages are recorded Ring buffer If the memory is full, the most recent entry automatically overwrites the oldest entry. Fill up buffer If the memory is 80 % full, the device displays a diagnostic message. If the memory is full, there is an overflow, i. e. no new values can be saved. The controller displays a corresponding diagnostic message. The memory then has to be cleared manually.
► Overflow warnings Analyzer calibration logbook = Fill up buffer		
Calibration logbook	Selection <ul style="list-style-type: none"> ▪ Off ▪ On Factory setting Off	► Decide whether you want to receive a diagnostic message if the fill buffer of the relevant logbook overflows.
Diagnostic logbook		
Configuration logbook		
Analyzer data logbooks		For analyzer measured data The entry is made automatically on completion of the measurement. A setting does not need to be made. The logbook is activated automatically. SP1 is assigned to data logbook SP1.
► Data logbook SP1		Assignment to measuring channel
Source of data	Read only	The assigned measuring channel is displayed
Measuring parameter	Read only	Plain-text information on the parameter that is being recorded
Unit	Read only	Information about the unit in which the data are available
Logbook name	Customized text, 16 characters	
► Line plotter		Menu to define the graphic display
Axes	Selection <ul style="list-style-type: none"> ▪ Off ▪ On Factory setting On	Should the axes (x, y) be displayed (On) or not (Off)?
Orientation	Selection <ul style="list-style-type: none"> ▪ Horizontal ▪ Vertical Factory setting Horizontal	You can choose whether the value curves should be displayed from left to right (Horizontal) or from top to bottom (Vertical). If you want to display two data logbooks simultaneously, make sure that both logbooks have the same settings here.
X-Description	Selection <ul style="list-style-type: none"> ▪ Off ▪ On Factory setting On	► Decide whether a description should be displayed for the axes and whether gridlines should be shown. In addition, you can also decide whether pitches should be displayed.
Y-Description		
Grids		
Pitches		
X Pitch/Grid distance	10 to 50%	► Determine the pitch.
Y Pitch/Grid distance	10 %	

Menu/Setup/General settings/Logbooks		
Function	Options	Info
▶ Data logbooks		For connected Memosens sensors (optional)
▶ New		You can create a maximum of 8 data logbooks.
Logbook name	Customized text, 20 characters	
Source of data	Selection <ul style="list-style-type: none"> ▪ Sensor inputs ▪ Controller ▪ Current inputs ▪ Temperature ▪ Fieldbus signals ▪ Mathematical functions Factory setting None	▶ Select a data source for the logbook entries. You can choose from the following: <ul style="list-style-type: none"> ▪ Connected sensors ▪ Available controllers ▪ Current inputs ▪ Fieldbus signals ▪ Binary input signals ▪ Mathematical functions
Measured value	Selection Depends on Source of data Factory setting None	You can record different measured values depending on the data source.
Scan time	0:00:01 to 1:00:00 Factory setting 0:01:00	Minimum time interval between two entries Format: H:MM:SS
Data logbook	Selection <ul style="list-style-type: none"> ▪ Ring buffer ▪ Fill up buffer Factory setting Ring buffer	Ring buffer If the memory is full, the most recent entry automatically overwrites the oldest entry. Fill up buffer If the memory is full, there is an overflow, i. e. no new values can be saved. The controller displays a corresponding diagnostic message. The memory then has to be cleared manually.
Overflow warnings Data logbook = Fill up buffer	Selection <ul style="list-style-type: none"> ▪ Off ▪ On Factory setting Off	▶ Decide whether you want to receive a diagnostic message if the fill buffer of the relevant logbook overflows.
▷ Add another logbook	Action	Only if you want to create another data logbook immediately. You add a new data logbook at a later date using New .
▷ Finished	Action	This allows you to exit the New menu.
▷ Start/stop simultaneously	Action	Appears if you have created more than one data logbook. With one mouse click, you can start or stop recording all the data logbooks.
▶ Logbook name		The name of this submenu is based on the name of the logbook and only appears once you have created a logbook.
 This menu appears several times if you have several data logbooks.		

Menu/Setup/General settings/Logbooks		
Function	Options	Info
Source of data	Read only	This is for information purposes only. If you want to record another value, delete this logbook and create a new data logbook.
Measured value		
Log time left Data logbook = Fill up buffer	Read only	Displays the days, hours and minutes remaining until the logbook is full.
Log size Data logbook = Fill up buffer	Read only	Displays the number of entries remaining until the logbook is full.
Logbook name	Customized text, 20 characters	You can change the name here again.
Scan time	0:00:01 to 1:00:00 Factory setting 0:01:00	As above Minimum time interval between two entries Format: H:MM:SS
Data logbook	Selection <ul style="list-style-type: none"> ▪ Ring buffer ▪ Fill up buffer Factory setting Ring buffer	Ring buffer If the memory is full, the most recent entry automatically overwrites the oldest entry. Fill up buffer If the memory is full, there is an overflow, i. e. no new values can be saved. The controller displays a corresponding diagnostic message. The memory then has to be cleared manually.
Overflow warnings Data logbook = Fill up buffer	Selection <ul style="list-style-type: none"> ▪ Off ▪ On Factory setting Off	▶ Decide whether you want to receive a diagnostic message if the fill buffer of the relevant logbook overflows.
▶ Line plotter		Menu to define the graphic display
Axes	Selection <ul style="list-style-type: none"> ▪ Off ▪ On Factory setting On	Should the axes (x, y) be displayed (On) or not (Off)?
Orientation	Selection <ul style="list-style-type: none"> ▪ Horizontal ▪ Vertical Factory setting Horizontal	You can choose whether the value curves should be displayed from left to right (Horizontal) or from top to bottom (Vertical). If you want to display two data logbooks simultaneously, make sure that both logbooks have the same settings here.
X-Description	Selection <ul style="list-style-type: none"> ▪ Off ▪ On Factory setting On	▶ Decide whether a description should be displayed for the axes and whether gridlines should be shown. In addition, you can also decide whether pitches should be displayed.
Y-Description		
Grids		
Pitches		
X Pitch/Grid distance	10 to 50%	▶ Determine the pitch.
Y Pitch/Grid distance	Factory setting 10 %	
▷ Remove	Action	This action removes the data logbook. Any data that have not been saved are lost.

Example: New data logbook (Setup/General settings/Logbooks/Data logbooks/New)


1. Make the settings:


- Logbook name
Assign a name. Example: "01".
 - Source of data
Select a data source. Example: Signal of binary input 1.
 - Measured value
Select the measured value to be recorded. Example: pH value.
 - Scan time
Specify the time interval between two logbook entries.
 - Data logbook
Activate the logbook: specify the data storage method.
2. **../Finished:** Perform the action.
 - ↳ The device shows the new logbook in the list of data logbooks.
 3. Select data logbook "01".
 - ↳ Additional display: **Log time left.**
 4. Only in the case of **Fill up buffer:**
Decide to set **Overflow warning: On** or **Off.**
 - ↳ **On:** The device displays a diagnostic message in the event of memory overflow.
 5. **Line plotter** submenu: Specify the type of graphic representation.

10.2.5 Extended setup

Diagnostics settings

The list of diagnostic messages displayed depends on the path selected. There are device-specific messages, and messages that depend on what sensor is connected.

Menu/Setup/(General settings or Inputs<Sensor channel>)/Extended setup/Diagnostics settings/Diag. behavior		
Function	Options	Info
List of diagnostic messages		▶ Select the message to be changed. Only then is it possible to make the settings for this message.
Diag. code	Read only	
Diagnostic message	Selection <ul style="list-style-type: none"> ▪ On ▪ Off Factory setting Depends on the message	Deactivate the diagnostic message or activate it again. Deactivating means: <ul style="list-style-type: none"> ▪ No error message in the measuring mode ▪ No failure current at the current output
Failure current	Selection <ul style="list-style-type: none"> ▪ On ▪ Off Factory setting Depends on the message	▶ Decide whether a failure current should be output at the current output if the diagnostic message display is activated.  In the event of general device errors, the failure current is output at all the current outputs. In the event of channel-specific errors, the failure current is only output at the assigned current output.
Status signal	Selection <ul style="list-style-type: none"> ▪ Maintenance (M) ▪ Out of specification (S) ▪ Function check (C) ▪ Failure (F) Factory setting Depends on the message	The messages are divided into different error categories in accordance with NAMUR NE 107. ▶ Decide whether a status signal assignment should be changed for the application.

Menu/Setup/(General settings or Inputs<Sensor channel>)/Extended setup/Diagnostics settings/Diag. behavior		
Function	Options	Info
Diag. output	Selection <ul style="list-style-type: none"> ▪ None ▪ Alarm relay ▪ Binary output ▪ Relay 1 to n (depends on the device version) Factory setting None	A relay output must first be configured for Diagnostics before it is possible to assign the message to an output. (Menu/Setup/Outputs: Assign the Diagnostics function and set Operating mode to as assigned.)
 Alarm relays are available, depending on the device version.		
Cleaning program (for sensors)	Selection <ul style="list-style-type: none"> ▪ None ▪ Cleaning 1 ▪ Cleaning 2 ▪ Cleaning 3 ▪ Cleaning 4 Factory setting None	<ul style="list-style-type: none"> ▶ Decide whether the diagnostic message should trigger a cleaning program. The cleaning programs can be defined under: Menu/Setup/Additional functions/Cleaning.
Detail information	Read only	Additional information on the diagnostic message and instructions on how to resolve the problem.

PROFIBUS DP

Menu/Setup/General settings/Extended setup/PROFIBUS		
Function	Options	Info
Enable	Selection <ul style="list-style-type: none"> ▪ Off ▪ On Factory setting On	You can switch off communication at this point. The software can then only be accessed via local operation.
Termination	Read only	If the device is the last in the bus, you can terminate via the hardware.
Bus address	1 to 125	If you have addressed the bus via hardware (DIP switches on the module,), you can only read the address here. If an invalid address is set via the hardware, you have to assign a valid address for your device either here or via the bus.
Ident number	Selection <ul style="list-style-type: none"> ▪ Automatic ▪ PA-Profile 3.02 (9760) ▪ Manufacturer specific Factory setting Automatic	

Modbus


Menu/Setup/General settings/Extended setup/Modbus		
Function	Options	Info
Enable	Selection <ul style="list-style-type: none"> ▪ Off ▪ On Factory setting On	You can switch off communication at this point. The software can then only be accessed via local operation.
Termination	Read only	If the device is the last in the bus, you can terminate via the hardware.
Settings		
Transmission mode	Selection <ul style="list-style-type: none"> ▪ TCP ▪ RTU ▪ ASCII Factory setting (Modbus-RS485 only) RTU	The transmission mode is displayed depending on the version ordered. In the case of RS485 transmission, you can choose between RTU and ASCII . There are no choices for Modbus-TCP.
Byte order	Selection <ul style="list-style-type: none"> ▪ 1-0-3-2 ▪ 0-1-2-3 ▪ 2-3-0-1 ▪ 3-2-1-0 Factory setting 1-0-3-2	
Watchdog	0 to 999 s Factory setting 5 s	If no data transmission takes place for longer than the time set, this is an indicator that communication has been interrupted. After this time, input values received via the Modbus are considered to be invalid.


Web server


Menu/Setup/General settings/Extended setup/Webserver		
Function	Options	Info
Webserver	Selection <ul style="list-style-type: none"> ▪ Off ▪ On Factory setting On	You can switch off communication at this point. The software can then only be accessed via local operation.
Webserver TCP port 80	Read only	The Transmission Control Protocol (TCP) is an arrangement (protocol) as to how data should be exchanged between computers. A port is a part of an address which assigns data segments to a network protocol.
Webserver login	Selection <ul style="list-style-type: none"> ▪ Off ▪ On Factory setting On	You can switch user administration on and off at this point. This makes it possible to create multiple users with password access.

Menu/Setup/General settings/Extended setup/Webserver		
Function	Options	Info
User administration		
List of users already created	View/edit	You can change user names or passwords or delete users. A user is already created at the factory: "admin" with password "admin".
New user:		
Name	Free text	Create new user 1. INSERT . 2. Assign any name to the new user. 3. Select a password for the user. 4. Confirm password. ↳ You can now change the password at any time.
Enter new user password	Free text	
Confirm new user password	Free text	
Change user password	Free text	

EtherNet/IP

 If PROFINET is used, the settings in this menu are read only settings. The network settings are made via the PROFINET-DCP protocol.

 For detailed information on "PROFINET communication", see the product pages on the internet (→ SDO2490C).

Menu/Setup/General settings/Extended setup/Ethernet		
Function	Options	Info
Enable	Selection <ul style="list-style-type: none"> ▪ Off ▪ On Factory setting On	You can switch off communication at this point. The software can then only be accessed via local operation.
Settings		
Link settings	Selection <ul style="list-style-type: none"> ▪ Auto negotiation ▪ 10MBps half duplex ▪ 10MBps full duplex ▪ 100MBps half duplex ▪ 100MBps full duplex Factory setting Auto negotiation	Transmission methods of the communication channels <ul style="list-style-type: none"> ▪ Full duplex: Data can be transmitted and received simultaneously. ▪ Half-duplex: Data can be transmitted and received on an alternating basis only, i.e. not simultaneously.
DHCP	Selection <ul style="list-style-type: none"> ▪ Off ▪ On Factory setting On	The Dynamic Host Configuration Protocol (DHCP) makes it possible to assign the network configuration to clients via a server. With DHCP, it is possible to automatically integrate the device into an existing network without the need for manual configuration. Normally only the automatic assignment of the IP address must be configured at the client. During startup, the IP address, the netmask and the gateway are retrieved from a DHCP server.  Do you want to assign the IP address of the device manually? If so, you have to set DHCP = Off .
IP-Address	xxx.xxx.xxx.xxx	An IP address is an address in computer networks which are based on the Internet protocol (IP). You can only set the IP address if DHCP is switched off.

Menu/Setup/General settings/Extended setup/Ethernet		
Function	Options	Info
Netmask	xxx.xxx.xxx.xxx	On the basis of the IP address of a device, the netmask specifies which IP addresses this device searches for in its own network and which addresses it could access in other networks via a router. It therefore divides the IP address into a network part (network prefix) and a device part. The network part must be identical for all devices in the individual network, and the device part must be different for every device within the network.
Gateway	x.x.x.x	A gateway (protocol converter) enables communication between networks that are based on completely different protocols.
Service switch	Read only	
MAC-Address	Read only	The MAC address (Media Access Control address) is the hardware address of every individual network adapter which is used to uniquely identify the device in a computer network.
EtherNetIP Port 44818	Read only	A port is a part of an address which assigns data segments to a network protocol.


Accepting settings

Have you changed settings manually, such as the IP address?

- ▶ Before you leave the **Ethernet** menu:
 - select **SAVE** to apply your settings.
 - ↳ In the **DIAG/System information** menu you can check whether the new settings are used.

Data management

Firmware update

 Please contact your local sales office for information on firmware updates available for your controller and its compatibility with earlier versions.

Current firmware version of the analyzer, actuator control module, photometer and sample preparation 1 : **Menu/Diagnostics/System information**.

- ▶ Back up your current setup and your logbooks to an SD card.

To install a firmware update, you must have the update available on an SD card.

1. Insert the SD card into the controller card reader.
2. Go to **Menu/Setup/General settings/Extended setup/Data management/Firmware update**.
 - ↳ The update files on the SD card are displayed.
3. Select the desired update and select yes when asked the following:
 - The current firmware will be overwritten.
 - After this the device will reboot.
 - Do you want to proceed?
 - ↳ The firmware is loaded and the device is then started with the new firmware.

Saving the setup

Saving a setup offers the following advantages, among others :

- Copying settings for other devices
- Quick and easy switching between various setups, e. g. for different user groups or for recurring sensor type changes
- Restoring a tried-and-tested setup, e. g. if you have changed a lot of settings and no longer know what the original settings were

1. Insert the SD card into the controller card reader.
2. Go to **Menu/Setup/General settings/Extended setup/Data management/Save setup** .
3. **Name**: Assign a file name.
4. Then select **Save** .
 - ↳ If you have already assigned the file name, you will be asked whether you want to overwrite the existing setup.
5. Use **OK** to confirm or cancel and assign a new file name.
 - ↳ Your setup is stored on the SD card and you can upload it quickly to the device at a later date.

Loading the setup

When you load a setup, the current configuration is overwritten.

Note that cleaning and controller programs may be active. Do you want to continue anyway?

1. Insert the SD card into the controller card reader. A setup must have been saved to the SD card.
2. Go to **Menu/Setup/General settings/Extended setup/Data management/Load setup** .
 - ↳ A list of all the setups on the SD card is displayed.
An error message is displayed if there is no valid setup on the card.
3. Select the desired setup.
 - ↳ A warning is displayed:
The current parameters will be overwritten and the device will reboot.
Warning: Please note that cleaning and controller programs can be active.
Do you want to proceed?
4. Use **OK** to confirm or cancel.
 - ↳ If you select **OK** to confirm, the device restarts with the desired setup.


Exporting the setup

Exporting a setup offers the following advantages, among others:

- Export in XML format with a stylesheet for formatted display in an XML-compatible application, such as . Microsoft Internet Explorer
- Importing the data (drag and drop the XML file into a browser window)

1. Insert the SD card into the controller card reader.
2. Go to **Menu/Setup/General settings/Extended setup/Data management/Export setup** .
3. **Name**: Assign a file name.
4. Then select **Export** .
 - ↳ If you have already assigned the file name, you will be asked whether you want to overwrite the existing setup.


5. Use **OK** to confirm or cancel and assign a new file name.
 - ↳ Your setup is saved on the SD card in the "Device" folder.

 You cannot upload the exported setup to the device again. You must use the **Save setup**. This is the only way you can save a setup to an SD card and reload it later on or upload it to other devices.

Activation code

Activation codes are required for:

- Additional functions, e. g. Fieldbus communication
- Firmware upgrades

 If the original device has activation codes, these can be found on the nameplate. The corresponding device functions are activated at the factory. Codes are only required if servicing the device.

1. Enter the activation code: **Menu/Setup/General settings/Extended setup/Data management/Activation code.**
2. Confirm your entry.
 - ↳ The new hardware or software function is activated and can be configured.

Functions that are enabled by an activation code:

Function	Activation code beginning with
2 current outputs (BASE2-E module only)	081...
Web server ^{1) 2)}	351...
PROFIBUS DP	0B3...
Modbus TCP ²⁾	0B8...
Modbus RS485	0B5...
EtherNet/IP ²⁾	0B9...
PROFINET	0B7...
Cooling ³⁾	0F1...
Feedforward control	220...
Chemoclean Plus	25...
Collecting vessel ³⁾	20...
Measuring channels ³⁾	28...
Formula ⁴⁾	321...

1) Via Ethernet socket of the BASE2 module, for versions without an Ethernet fieldbus

2)

3) Availability depends on measuring parameter

4) Mathematical function

Change the password

You can lock the operating keys with a password (access the context menu by pressing the navigator for longer). The keys can then only be enabled by entering the right password.

You can set the password to lock the keys here: **Menu/Setup/General settings/Extended setup/Data management/Change key lock password.**

1. Enter the current password (factory setting 0000).
 - ↳ Enter new password
2. Enter a new password.
 - ↳ Confirm new password

3. Enter the new password again.
 - ↳ The password has been changed successfully.

Press the navigator for longer to return to the measuring mode.

10.3 Analyzer

Menu/Setup/Analyzer		
Function	Options	Info
Mode	Read only	Manual, automatic or fieldbus
Device tag	Customized text, 32 characters Factory setting Analyzer_serial number	▶ Select any name for your analyzer. Use the TAG name for example.
Measuring parameter	Read only	
Range switch	Selection <ul style="list-style-type: none"> ▪ Automatic ▪ Manual Factory setting Manual	Automatic <ul style="list-style-type: none"> ▪ No options available for measuring range or dilution ▪ The device uses all the available ranges ▪ Dilution is not displayed Manual <ul style="list-style-type: none"> ▪ Measuring range can be selected from a list ▪ Internal dilution is displayed in the list for every range ▪ Dilution factor is displayed again separately
Measuring range	Range switch = Automatic No other options Range switch = Manual The options available depend on the device version ordered.	

10.3.1 Extended setup

Measured value

Menu/Setup/Analyzer/Extended setup/Measuring value		
Function	Options	Info
Main value	Selection <ul style="list-style-type: none"> ▪ Cr(VI) ▪ CrO4 Factory setting Cr(VI)	If another main value is selected, this affects other display screens. However, if another main value is selected, these display screens only change by a constant factor.
Unit	Selection <ul style="list-style-type: none"> ▪ mg/l ▪ µg/l ▪ ppm ▪ ppb Factory setting mg/l or µg/l	
Main value format	Selection <ul style="list-style-type: none"> ▪ # ▪ #.# ▪ #.## ▪ Auto Factory setting #.##	
Status for failed measurement	Selection <ul style="list-style-type: none"> ▪ Keep last value ▪ Status bad Factory setting Keep last value	Keep last value Standard practice is to keep the measured value of the last successful measurement until the next successful measurement. To detect an error during measurement, the NAMUR status signal, the time stamp of the measurement and the measured value status must be evaluated. Status bad If a measurement cannot be performed due to an error, the measured value status is set to Bad and the measured value to 0. The time stamp is updated accordingly.

Menu/Setup/Analyzer/Extended setup		
Function	Options	Info
Device range	Selection	The options available depend on the device version ordered. <ul style="list-style-type: none"> ▶ Select the desired measuring range from the list.

Signals

Menu/Setup/Analyzer/Extended setup		
Function	Options	Info
▶ Signal for sample request		
Lead time SPX ¹⁾	Selection 0.00 to 30.00 (mm:ss) Factory setting 0.00 (mm:ss)	In the automatic mode, each measurement only starts once the lead time has elapsed. The request sample signal is active from the start of the lead time until the end of the specified signal duration time.
Duration SPX ¹⁾	Selection 0:00 to 60:00 (mm:ss) Factory setting 3:00 (mm:ss)	You can set the duration for which the signal is active.
▶ Signal for process access		
SP1	Selection <ul style="list-style-type: none"> ▪ Always accessible ▪ Binary input x:y Factory setting Always accessible	Always accessible: The input signal level at the binary inputs does not affect actions that require sample (measurement, calibration, cleaning). Binary input x:y: When the signal is active at the selected input, the analyzer starts actions where sample is required. Otherwise the analyzer defers or skips the action. In the case of two-channel devices SP2 is also displayed.

- 1) X is context-dependent, is automatically generated by the software and stands for the name of the sample preparation, e.g. "1" or "2".

Diagnostic settings

Limit values for dispensers

Menu/Setup/Analyzer/Extended setup/Diagnostics settings/Limits dispensers		
Function	Options	Info
Control	Selection <ul style="list-style-type: none"> ▪ Off ▪ On Factory setting On	
▶ Warning limits		Diag. code 733
Remaining operating time	Selection 1 to 90 (d) Factory setting 28 d	A warning limit can be configured for every dispenser: <ul style="list-style-type: none"> ▪ Dispenser 2 ▪ Dispenser 3 ▪ Dispenser 4 ▪ Dispenser 7
▶ Alarm limits		Diag. code 732
Remaining operating time	Selection 1 to 60 d Factory setting 7 d	An alarm limit can be configured for every dispenser: <ul style="list-style-type: none"> ▪ Dispenser 2 ▪ Dispenser 3 ▪ Dispenser 4 ▪ Dispenser 7

Bottles

You can monitor the levels of all the bottles.

1. Switch on monitoring.

2. Enter the starting volume for every bottle.
3. Specify alarm and warning limits for the residual volumes.
4. Specify warning and alarm limits for the remaining operating time of the chemicals.
 - ↳ Read remaining operating time: **DIAG/Operating time information/Remaining operating time/Bottles**

Menu/Setup/Analyzer/Extended setup/Diagnostics settings/Bottles		
Function	Options	Info
Control	Selection <ul style="list-style-type: none"> ▪ Off ▪ On Factory setting Off	On After the monitoring function is switched on, you can find 2 additional menu items in: Menu/Operation/Maintenance/Change bottle <ul style="list-style-type: none"> ▪ Remaining operating time ▪ Bottle filling levels
▶ Bottle filling levels		
▶ Start volume		
Cleaner C	100 to 1000 ml Factory setting 500 ml	
Reagent RB	100 to 1000 ml Factory setting 1000 ml	
Reagent RK	100 to 1000 ml Factory setting 1000 ml	
Standard S1	100 to 1000 ml Factory setting 1000 ml	
▶ Warning limits		Warning limits are intended as an early warning for maintenance tasks that will need to be performed soon. <ol style="list-style-type: none"> 1. Procure spare parts in time. 2. Schedule maintenance tasks.
	Diag. code 726	
Cleaner C	1 to 20 % Factory setting 2 %	
Reagent RB	1 to 40 % Factory setting 10 %	
Reagent RK	1 to 40 % Factory setting 10 %	
Standard S1	1 to 20 % Factory setting 2 %	
▶ Alarm limits		Alarm limits are intended to immediately trigger maintenance tasks. <ul style="list-style-type: none"> ▶ Replace the materials concerned as quickly as possible.
	Diag. code 727	
Cleaner C	1 to 20 % Factory setting 2 %	

Menu/Setup/Analyzer/Extended setup/Diagnostics settings/Bottles		
Function	Options	Info
Reagent RB	1 to 40 % Factory setting 10 %	
Reagent RK	1 to 40 % Factory setting 5 %	
Standard S1	1 to 20 % Factory setting 2 %	
► Remaining operating time		
► Warning limits		Diag. code 726
Cleaner C	1 to 14 d Factory setting 14 d	
Reagent RB	1 to 14 d Factory setting 14 d	
Reagent RK	1 to 14 d Factory setting 14 d	
Standard S1	1 to 14 d Factory setting 14 d	
► Alarm limits		Diag. code 727
Cleaner C	1 to 7 d Factory setting 2 d	
Reagent RB	1 to 7 d Factory setting 2 d	
Reagent RK	1 to 7 d Factory setting 2 d	
Standard S1	1 to 7 d Factory setting 2 d	

Absorption curve recording

Menu/Setup/Analyzer/Extended setup/Diagnostics settings/Absorption curve recording		
Function	Options	Info
In automatic mode	Selection ■ Off ■ On Factory setting Off	Off: Recording is only possible in the manual mode On: Recording also takes place in the automatic mode
Curve	Selection 1 to 7 Factory setting 2	Select the absorption curve to be recorded. Only one curve can be selected at any one time. The data are saved in a logbook.

Behavior after power failure

Menu/Setup/Analyzer/Extended setup		
Function	Options	Info
After power failure	Selection <ul style="list-style-type: none"> ▪ Last mode ▪ Manual mode Factory setting Last mode	Setting specifying how the analyzer should behave after a power failure, or when the power is back on. Last mode: The analyzer remains in the mode that was last set. Example: The automatic mode was set. The analyzer continues after initialization and after any samples have been discarded. Manual mode: The analyzer switches to the manual mode and waits for user action.

10.3.2 Measurement

Menu/Setup/Analyzer/Measurement		
Function	Options	Info
Start condition	Selection <ul style="list-style-type: none"> ▪ Immediate ▪ Date/time ▪ Continuous Factory setting Immediate	Immediate: The analyzer immediately starts with the measurement cycle once the system changes to the automatic mode. Date/time: The analyzer starts with the measurement cycle at the set date/time. Continuous: The analyzer measures continuously, without interruption, between the measurements.
Date	01.01.1970 to 07.02.2106	<i>Functions only available for:</i> Start condition = Date/time
Time	00:00:00 to 23:59:59	
Measuring interval	Factory setting 0:10	<i>Function only available for:</i> Start condition = Immediate or Date/time For configuring the time interval of the measurement
▶ Sequence of measurements	Selection <ul style="list-style-type: none"> ▪ SP1 ▪ SP2 ▪ Pause 	Defines the sequence of channels in automatic mode. Is displayed only in the case of a two-channel device. <ul style="list-style-type: none"> ▪ SP1: Indicate the number of consecutive measurements for channel SP1 ▪ SP2: Indicate the number of consecutive measurements for channel SP2 ▪ Pause: If the Pause channel is selected, the analyzer does not perform the measurement. You can add, delete or save rows in the table using the INSERT , DEL and SAVE soft keys.
Channel change delay	15 to 600 Factory setting 30	Additional delay time which the analyzer waits to elapse after every change of sample.
Signal delay	0 to 600 s Factory setting 0 s	Measurement active: You can delay the process of outputting the signal during an active measurement by the defined time. Measuring is paused for the duration of the signal delay time.

10.3.3 Calibration

Menu/Setup/Analyzer/Calibration		
Function	Options	Info
Start condition	Selection <ul style="list-style-type: none"> ■ Immediate ■ Date/time Factory setting Immediate	The calibration can start either immediately or at the set time.
If the start condition selected is Immediate		
Date	01.01.1970 to 07.02.2106	<i>Functions only available for:</i> Start condition = Date/time
Time	00:00:00 to 23:59:59	
Calibration interval	0-01 to 90-00 (DD-hh) Factory setting 02-00 DD-hh	For configuring the time interval of the calibration/adjustment.
Next calibration Mode = Automatic	Read only	
Zero point	Read only	
Calibration factor	Read only	Relationship of the measured concentration to the pre-specified concentration of the calibration standard.
▶ Settings		
Nominal concentration	0.50 to 4.50 (mg/l) Factory setting 2.00 (based on Cr(VI))	For configuring the concentration of the calibration standard solution. Depends on the settings under Menu/Setup/Analyzer/Extended setup/Measuring value/Main value
Automatic cleaning	Selection <ul style="list-style-type: none"> ■ Off ■ On Factory setting On	For specifying whether cleaning will take place before every calibration/adjustment (only in the automatic mode).

10.3.4 Cleaning

Menu/Setup/Analyzer/Cleaning		
Function	Options	Info
Start condition	Selection <ul style="list-style-type: none"> ■ Immediate ■ Date/time ■ Disabled Factory setting Disabled	Immediate: Cleaning of the starts immediately. Date/time: Cleaning of the starts at the selected date/time. Disabled: Additional cleaning is not enabled.
Date	01.01.1970 to 07.02.2106	<i>Functions only available for:</i> Start condition = Date/time
Time	00:00:00 to 23:59:59	
Cleaning interval	0-01 to 90-00 (DD-hh) Factory setting 02-00 DD-hh	For configuring the time interval for (additional) cleaning.
Next cleaning Mode = Automatic	Read only	

10.4 Sample preparation

The menu displayed depends on the connected sample preparation system. The menu item does not appear if a Liquiline System CA80 analyzer without a collecting vessel is connected. The Liquiline System CAT860 can only be operated with a Liquiline System CA80 single-channel device.

1. Select the installation method.

- Others
(factory setting)
e.g. Liquiline System CAT820 oder CAT860
- Pressurized pipe sampling
Sample preparation that is installed in a pressure pipe, e.g. Liquiline System CAT810.
- Inlet pipe sampling

2. Select sample preparation.

Menu/Setup/Sample preparation/Installation type = Others/Sample preparation 1 ... 2		
Function	Options	Info
Operating mode	Selection <ul style="list-style-type: none"> ▪ Independent ▪ Controlled Factory setting Controlled	<ul style="list-style-type: none"> ▪ Controlled Sample preparation that is controlled by the analyzer, e.g. Liquiline System CAT820 / CAT860 ▪ Independent No sample preparation that is controlled by the analyzer. The supply of sample must be guaranteed by the customer. Operating mode = Independent <ol style="list-style-type: none"> 1. Power supply: Switch on if power is to be supplied via the analyzer. 2. Timeout no sample: Specify the time for the timeout (3:00 to 30:00 min:ss). Operating mode = Controlled <ul style="list-style-type: none"> ▶ Make other settings as described below.
Tag	Customized text, 32 characters	
Timeout no sample	3:00 to 30:00 min:ss	
<i>Only for CAT860</i> Cleaning start condition	Selection <ul style="list-style-type: none"> ▪ Immediate ▪ Date/time ▪ Disabled 	Immediate: Cleaning starts immediately. Date/time: Cleaning starts at the selected date/time. Disabled: Cleaning is not active.
<i>Only for CAT860 and Cleaning start condition = Immediate or Date/time</i> Cleaning interval	Selection <ul style="list-style-type: none"> ▪ 0-01 to 90-00 (DD-HH) ▪ Factory setting 0-01	Compressed air or water cleaning for longer filter maintenance intervals. Cleaning with liquid cleaner.
<i>Only for CAT860 and Cleaning start condition = Date/time</i> Date	Selection <ul style="list-style-type: none"> ▪ 01.01.1970 to 07.02.2106 DD.MM.YYYY ▪ Factory setting 01.01.1970	
<i>Only for CAT860 and Cleaning start condition = Date/time</i> Time	Selection <ul style="list-style-type: none"> ▪ 00:00:00 to 23:59:59 HH:MM:SS ▪ Factory setting 00:00:00	
<i>Only for CAT860</i> Residence time	Selection <ul style="list-style-type: none"> ▪ 0:30 to 20:00 (MM:SS) ▪ Factory setting 1:00	Reaction time of cleaner during the cleaning
<i>CAT820 and CAT860</i> ▶ Sampling pump interval		
Pump time	Selection 10 to 20 s Factory setting 10 s	Ratio between the pumping duration and the pumping interval of the peristaltic pump. This affects the volume of the pumped sample.

Menu/Setup/Sample preparation/Installation type = Others/Sample preparation 1 ... 2		
Function	Options	Info
Pump pause	Selection 20 to 50 s Factory setting 30 s	
<i>CAT820 and CAT860</i> ▶ Pressurized air cleaning		
<i>CAT820 only</i> Compressed air	Selection ▪ Available ▪ Not available Factory setting Depends on the device version	Settings for sample preparation with or without compressed air cleaning. In the event of retrofitting, the compressed air can be activated here.
Cleaning mode	Selection ▪ On ▪ Off Factory setting On	Activates or deactivates automatic compressed air cleaning of the pump-to-filter hose and of the filter.
Cleaning interval	Selection 0:30 to 4:00 HH:MM Factory setting 2:00	Cleaning interval of the automatic compressed air cleaning system
Cleaning duration	Selection 10 to 60 s Factory setting 30 s	Cleaning duration of the automatic compressed air cleaning system
<i>CAT820 and CAT860</i> ▶ Heatings		
Cabinet	Selection ▪ Available ▪ Not available Factory setting Depends on device version	You can enable the heating here with a heated sample preparation.
Hose filter	Selection ▪ Available ▪ Not available Factory setting Depends on the device version	With heated sample preparation
Hose analyzer	Selection ▪ Available ▪ Not available Factory setting Depends on the device version	With heated sample preparation
▶ Diagnostics settings		
▶ Limit change filter		
Function	Selection ▪ On ▪ Off Factory setting Off	
Warning limit	Selection 01-00 to 99-00 (DD-HH) Factory setting 60-00	Diag. code 729

Menu/Setup/Sample preparation/Installation type = Others/Sample preparation 1 ... 2		
Function	Options	Info
▶ Limit change hose		
Function	Selection <ul style="list-style-type: none"> ▪ On ▪ Off Factory setting On	
Warning limit	Selection 01-00 to 99-00 (DD-HH) Factory setting 60-00	Diag. code 337
▷ Reset settings		Resets all settings specific to sample preparation. All other settings are retained.

Menu/Setup/Sample preparation/Installation type = Pressurized pipe sampling/Sample preparation 1 ... 2		
Function	Options	Info
Cleaning valve	Selection <ul style="list-style-type: none"> ▪ Available ▪ Not available Factory setting Not available	If available, the valve can be activated here.
Cleaning valve = Available Filter backflush	Selection <ul style="list-style-type: none"> ▪ On ▪ Off Factory setting On	
Cleaning valve = Available and Filter backflush = On Cleaning interval	Selection 00:10 to 02:00 HH:MM Factory setting 00:30	Compressed air or water cleaning (optional) for extended filter maintenance intervals
Cleaning valve = Available Cleaning duration	Selection 10 to 30 s Factory setting 10 s	Cleaning duration of the automatic water or compressed air cleaning system
Cleaning valve = Available Cleaning discard time	Selection 0 to 1800 s Factory setting 180 s	Discard time once cleaning is complete. If water is used as the flushing medium, this must be replaced by a fresh sample before starting the next measurement.
Timeout no sample	3:00 to 30:00 min:ss	
▷ Reset settings		Resets all settings specific to sample preparation. All other settings are retained.

Menu/Setup/Sample preparation/Installation type = Inlet pipe sampling/Sample preparation 1 ... 2		
Function	Options	Info
Filter backflush	Selection <ul style="list-style-type: none"> ■ On ■ Off Factory setting On	
Cleaning duration	Selection 10 to 60 s Factory setting 00:30	Cleaning duration of the automatic water or compressed air cleaning system
Cleaning discard time	Selection 0 to 1800 s Factory setting 180 s	Discard time once cleaning is complete. If water is used as the flushing medium, this must be replaced by a fresh sample before starting the next measurement.
Lead time	0:00 to 30:00 min:ss Factory setting 25:00 min	
Duration	0:00 to 60:00 min:ss Factory setting 25:00 min	
Timeout no sample	3:00 to 30:00 min:ss	
▷ Reset settings		Resets all settings specific to sample preparation. All other settings are retained.

10.5 Current inputs

The input can be used as the data source for limit switches and logbooks, for example. Furthermore, external values can be made available as set points for controllers.


Menu/Setup/Inputs/Current input x:y ¹⁾		
Function	Options	Info
Mode	Selection <ul style="list-style-type: none"> ■ Off ■ 0 - 20mA ■ 4 - 20mA Factory setting 4 - 20mA	▶ Select the same current range as in the data source (connected device).
Input variable	Selection <ul style="list-style-type: none"> ■ Parameter ■ Current Factory setting Current	▶ Select the input variable.
Meas. value format	Selection <ul style="list-style-type: none"> ■ # ■ #.# ■ #.## ■ #.### Factory setting #.#	▶ Specify the number of decimal places.
Parameter name Input variable = Parameter	Customized text, 16 characters	▶ Assign a useful name, e.g. the parameter name that the data source also uses.
Unit of measure Input variable = Parameter	Customized text, 16 characters	You cannot choose the unit from a list. If you want to use a unit, you must enter it here as customized text.

Menu/Setup/Inputs/Current input x:y ¹⁾		
Function	Options	Info
Lower range value Input variable = Parameter	-20.0 ... Upper range value <unit of measure> Factory setting 0.0 <engineering unit>	▶ Enter the measuring range. The lower and upper range values are assigned to the 0 or 4 mA value and the 20 mA value respectively. The system uses the engineering unit which you entered beforehand.
Upper range value Input variable = Parameter	Lower range value to 10000.0 <engineering unit> Factory setting 10.0 <engineering unit>	
Damping	0 to 60 s Factory setting 0 s	The damping causes a floating average curve of the measured values over the time specified.

1) x:y = slot no. : input number

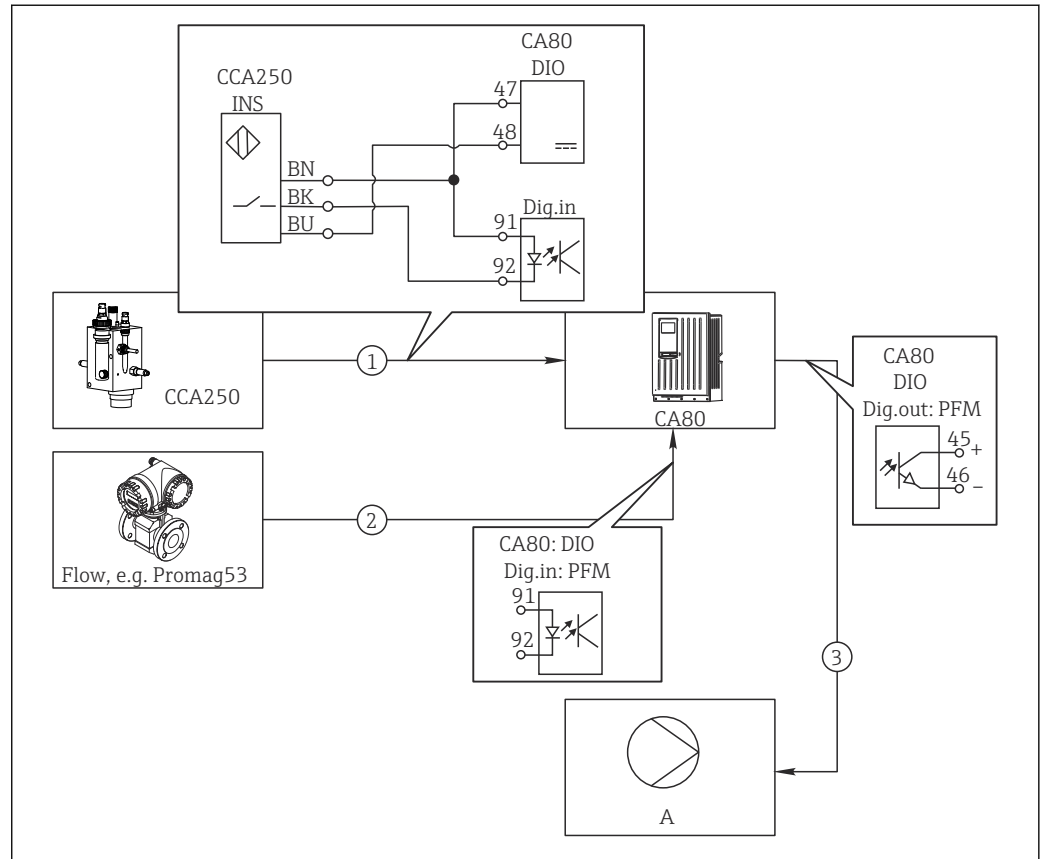
10.6 Binary inputs and outputs

Hardware options, such as the DIO module with 2 digital inputs and 2 digital outputs or fieldbus module 485DP/485MB enable the following:

- Via a digital input signal
 - measuring range switching for conductivity (upgrade code required, →  67)
 - switching between different calibration datasets in the case of optical sensors
 - external hold (for sensors)
 - a cleaning interval to be triggered (for sensors)
 - measurements to be started, interruption of measuring intervals
 - PID controller switch-on/switch-off, e.g. via the proximity switch of the CCA250
 - the use of the input as an "analog input" for pulse-frequency modulation (PFM)
- Via a digital output signal
 - diagnostic states, point level switches, "Active measurement" system state, "Sample required" information or similar states transmitted statically (similar to a relay)
 - the dynamic transmission (comparable to a non-wearing "analog output") of PFM signals, e.g. to control dosing pumps

10.6.1 Application examples

Chlorine regulation with feedforward control



A0029239

67 Example of chlorine control with feedforward control

- 1 Connection of the inductive proximity switch INS of CCA250 to the digital input of the DIO module
- 2 Connection of the signal from a flowmeter to the digital input of the DIO module
- 3 Activation of a (pulse) dosing pump via the digital output of the DIO module
- A Dosing pump

Utilize the advantage of the effectively wear-free control with binary outputs versus a control system with relay. With pulse frequency modulation (PFM), it is possible to achieve virtually continuous dosing using a dosing pump with higher input frequency.

1. Connect the INS proximity switch of the CCA250 assembly to a digital input of the DIO module (e.g. slot 6, port 1).
2. In the software, configure a controller and as the source select the binary input (e.g. **Binary input 1**) to which the proximity switch is connected. (**Menu/Additional functions/Controllers/Controller 1/Controller enable = Binary input 1**)
3. **Signal type:** For the selected input, select the factory setting (**Static signal**).
4. Connect the measured value of a flowmeter to the second input of the DIO module (e.g. slot 6, port 2).
5. **Signal type:** for this input, select **PFM**. (**Menu/Inputs/Binary input 6:2/Signal type = PFM**)
6. **Input variable:** select the corresponding measured value (**Flow rate**).
 - ↳ You can now use the input you have just configured as the disturbance variable for your controller²⁾.

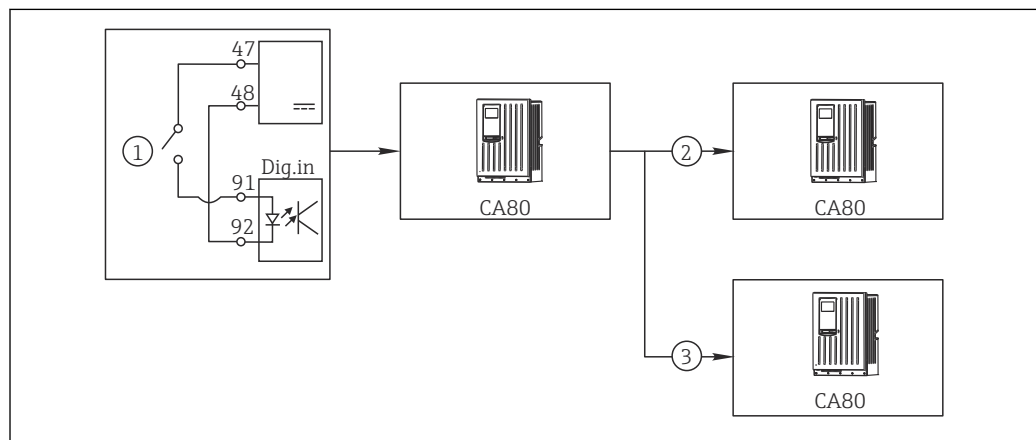
2) An activation code, Order No. 71211288, is necessary for the "feedforward control" function.

7. **Disturbance variable:** in the controller menu, select the binary input to which you have connected the flow measured value. (**Menu/Additional functions/Controllers/Controller 1/Disturbance variable/Source of data = Binary input 6:2 and Measured value = PFM value**)
8. You can activate a dosing pump through PFM via a digital output of the DIO module. Connect the pump to an output of the DIO module (e.g. slot 6, port 1) and select the following settings in the menu: **Menu/Outputs/Binary output 6:1/Signal type = PFM and Source of data = Controller 1.**

Take the direction of action of your dosing into account. Select the correct parameter (**Actuator type = Unipolar+ or Unipolar-**).

You must make additional settings in the controller menu to fully customize the control to suit your process conditions.

CA80 as the cleaning master for connected sensors (optional)



A0029241

68 Example of a central cleaning control

- 1 External cleaning trigger at the binary input
- 2 Transferring the external hold over binary output to other measuring devices without connected cleaning functions
- 3 Transferring the cleaning trigger over a binary output to other self-cleaning measuring points

1. An external trigger actuates a cleaning operation at the master. A cleaning unit is connected via a relay or a binary output, for example.
2. The cleaning trigger is transferred to another device via a binary output. This does not have its own connected cleaning unit, but its sensors are installed in the medium affected by cleaning the master and are set to hold by the trigger.
3. The trigger is transferred via an additional binary output to another device, whose connected sensors have their own cleaning units. The signal can be used to simultaneously activate a self-cleaning with the master.

Interrupting the operation via an external signal

You can temporarily interrupt the automatic operation of the analyzer via an external signal at the "DIO" module. This can be useful if no sample is available in your process at certain times, e.g. during a cleaning phase.

The following information is processed at the binary inputs or output at the binary outputs:

- Binary inputs:
 - **Signal for process access:** The analyzer can only perform activities that require sample (measurement, calibration, cleaning) when the signal is active. The time and the sequence of activities correspond to the settings in the setup. All activities that require sample are delayed as long as the signal is inactive.
- Binary outputs:
 - **Measurement active** signal: Indicates that a measurement is currently running. The signal is not active in the event of a calibration or cleaning.
 - **Sample required** signal: The signal is active for a configurable time before every activity that requires sample. This makes it possible to activate an external pump or a dilution module, for example.

1. Select **Menu/Setup/Inputs/Binary input x:y**.
2. Configure the binary inputs as follows:

Menu/Setup/Inputs/Binary input x:y ¹⁾		
Function	Options	Info
Binary input	Selection On	
Signal type	Selection Static signal	
Signal level	Selection <ul style="list-style-type: none"> ▪ High ▪ Low 	Specifies the active signal level: Low Input signals between 0 and 5 V DC High Input signals between 11 and 30 V DC

1) x:y = slot no.: input number

3. Link the binary inputs with the analyzer: Select **Menu/Setup/Analyzer/Extended setup/Signal for process access**.
4. Select measuring channel **SP1** or, in the case of two-channel devices, select **SP1** or **SP2**.
5. Assign a binary input to the selected measuring channel: Select **Binary input x:y**.

Controlling the measurement start time via an external signal

You can temporarily interrupt the automatic operation of the analyzer via an external signal at the "DIO" module. You can also use this signal to specifically start individual measurements. In this way, you can specify the time of the measurements using your external control system.

To do this, connect the **Signal for process access** to a binary input of the "DIO" module and set the starting time of the measurements to **Continuous**. A measurement starts immediately as soon as the signal at the binary input is active. The only exception is if a calibration or cleaning is due on the basis of the set time intervals: in this case, these activities are performed first of all and then the measurement follows immediately afterwards. If necessary, connect the **Measurement active** signal to a binary output to identify when the measurement actually begins. If you do not require any more measurements once the first measurement is finished, you have to already disable the **Signal for process access** during the active measurement.

The following information is processed at the binary inputs or output at the binary outputs:

■ Binary inputs:

Signal for process access: The analyzer can only perform activities that require sample (measurement, calibration, cleaning) when the signal is active. The time and the sequence of activities correspond to the settings in the setup. All activities that require sample are delayed as long as the signal is inactive.

■ Binary outputs:

■ **Measurement active** signal: Indicates that a measurement is currently running. The signal is not active in the event of a calibration or cleaning.

■ **Sample required** signal: The signal is active for a configurable time before every activity that requires sample. This makes it possible to activate an external pump or a dilution module, for example.

1. For the measurement, under **Menu/Setup/Analyzer/Measurement** select **Continuous** as the start condition (analyzer measures continuously, without interruption, between the measurements).
2. Select **Menu/Setup/Inputs/Binary input x:y**.
3. Configure the binary inputs as follows:

Menu/Setup/Inputs/Binary input x:y ¹⁾		
Function	Options	Info
Binary input	Selection On	
Signal type	Selection Static signal	
Signal level	Selection <ul style="list-style-type: none"> ■ High ■ Low 	Specifies the active signal level: Low Input signals between 0 and 5 V DC High Input signals between 11 and 30 V DC

1) x:y = slot no.: input number

4. Link the binary inputs with the analyzer: Select **Menu/Setup/Analyzer/Extended setup/Signal for process access**.
5. Select measuring channel **SP1** or, in the case of two-channel devices, select **SP1** or **SP2**.
6. Assign a binary input to the selected measuring channel: Select **Binary input x:y**.
7. Select **Menu/Setup/Outputs/Binary output x:y**.
8. Configure the binary outputs as follows:

Menu/Setup/Outputs/Binary output x:y ¹⁾		
Function	Options	Info
Binary output	Selection On	
Signal type	Selection Static signal	
Function	Selection Analyzer	
Assignments Function = Analyzer	Selection Measurement active SP1	Here select which binary outputs output the system status for a measurement currently running. In the case of two-channel devices, Measurement active SP2 is also displayed

1) x:y = slot no.: input number

9. Press **OK** to confirm.
 - ↳ The binary inputs and binary outputs are configured.
10. Switch to the automatic mode: Press the **MODE** soft key and select **Continue automatic mode** or **Start automatic mode**.
 - ↳ The display shows **Current mode- Automatic**.

Activating an external pump before every measurement

If you convey the sample to the analyzer using an external pump or an external sample preparation system, you can use the **Signal for sample request** to switch on the external devices for a limited time only when the analyzer requires sample. The signal becomes active before every measurement, calibration and cleaning. You can configure how long the signal should be active for. The start of the actual analyzer activity is delayed by this time.

1. You must select **Menu/Setup/Analyzer/Extended setup/Signal for sample request**.
2. Under **Lead time**, set how long an action that requires sample (measurement, calibration or cleaning) is delayed.
3. Under **Duration SP%C**, set how long the signal should remain active. The duration can be longer than the lead time. The maximum possible value equals the lead time plus the duration of the measurement.
4. Configure the binary outputs as follows:

Menu/Setup/Outputs/Binary output x:y ¹⁾		
Function	Options	Info
Binary output	Selection On	
Signal type	Selection Static signal	
Function	Selection Analyzer	
Assignments Function = Analyzer	Selection Sample required SP1	Here select which binary outputs output the system status for a measurement currently running. In the case of two-channel devices, Sample required SP2 is also displayed

1) x:y = slot no.: input number

5. ↳ The **High** output signal level indicates that sample is required.

10.6.2 Binary input configuration

Menu/Setup/Inputs/Binary input x:y ¹⁾		
Function	Options	Info
Binary input	Selection <ul style="list-style-type: none"> ▪ Off ▪ On Factory setting On	Switches the input on/off
Signal type	Selection <ul style="list-style-type: none"> ▪ Static signal ▪ PFM Factory setting Static signal	▶ Select the signal type. Static signal Use this setting to read out the position of, for example, an on/off switch, an inductive proximity switch or a PLC binary output. Signal application: for measuring range switching, acceptance of an external hold, as a cleaning trigger or for controller activation PFM The PFM setting produces a pulse-frequency-modulated signal that is subsequently available on the device as a quasi-continuous process value. Example: Measuring signal of a flowmeter
Signal type = Static signal		
Signal level	Selection <ul style="list-style-type: none"> ▪ Low ▪ High Factory setting High	Specifies which input signal levels should activate, for example, measuring range switching or a cleaning. Low Input signals between 0 and 5 V DC High Input signals between 11 and 30 V DC
Signal type = PFM		
Max. frequency	100.00 to 1000.00 Hz Factory setting 1000.00 Hz	Maximum frequency of the PFM input signal is to equal the maximum possible upper limit of the measuring range. If the value selected is too small, higher frequencies will not be detected. If the value is too large, on the other hand, the resolution for small frequencies will be relatively inexact.
Meas. value format	Selection <ul style="list-style-type: none"> ▪ # ▪ #.# ▪ #.## ▪ #.### Factory setting #.##	▶ Specify the number of decimal places.

Menu/Setup/Inputs/Binary input x:y ¹⁾		
Function	Options	Info
Input variable	Selection <ul style="list-style-type: none"> ▪ Frequency ▪ Parameter ▪ Flow rate Factory setting Frequency	Frequency Display in Hz in the measuring menu Parameter You subsequently determine the parameter name and unit. These are then displayed in the measuring menu. Flow rate For connecting a flowmeter
Parameter name Input variable = Parameter	Customized text, 16 characters	▶ Define a name for the parameter, e.g. "Pressure".
Unit of measure Input variable = Parameter	Customized text, 16 characters	▶ Specify the unit for your parameter, e.g. "hPa".
Lower range value Input variable = Parameter or Flow rate	-2000.00 to 0.00 Factory setting 0.00	The start of measuring range corresponds to a frequency of 0 Hz. Your previously defined unit is additionally displayed.
Upper range value Input variable = Parameter or Flow rate	0.00 to 10000.00 Factory setting 0.00	The end of measuring range corresponds to the maximum frequency defined above. Your previously defined unit is additionally displayed.
Damping	0 to 60 s Factory setting 0 s	The damping causes a floating average curve of the measured values over the time specified.

1) x:y = slot no. : input number

10.6.3 Configuration of binary outputs

Menu/Setup/Outputs/Binary output x:y ¹⁾		
Function	Options	Info
Binary output	Selection <ul style="list-style-type: none"> ▪ Off ▪ On Factory setting On	Switches the output on/off
Signal type	Selection <ul style="list-style-type: none"> ▪ Static signal ▪ PFM Factory setting Static signal	▶ Select the signal type. Static signal Comparable to a relay: output of a diagnostic status, a limit switch or the status of an active measurement PFM You can output a measured value, e.g. the chlorine value or the manipulated variable of a controller. It functions as a "wear-free" switching contact that can be used to control a dosing pump, for example.

Menu/Setup/Outputs/Binary output x:y ¹⁾		
Function	Options	Info
Signal type = Static signal		
Function	Selection <ul style="list-style-type: none"> ■ None ■ Limit switches ■ Diagnostics message ■ Cleaning ■ Analyzer Factory setting None	Source for the outputted switching state The following functions depend on the option selected. Function = None switches off the function. There are no other settings.
Assignments Function = Cleaning	Multiple selection <ul style="list-style-type: none"> ■ Cleaning 1 - Water ... ■ Cleaning 4 - Cleaner 	Here you can decide which binary outputs should be used for activating the valves and pumps. Here you specifically assign a control signal to the binary output for the cleaner/water dosing of a cleaning program. You can define cleaning programs under: Menu/Setup/Additional functions/Cleaning .
Data sources Function = Limit switches	Multiple selection Limit switch 1 ... 8	<ul style="list-style-type: none"> ▶ Select the limit switches that should be output via the binary output. Configuration of the limit switches: Menu/Setup/Additional functions/Limit switches .
Operating mode Function = Diagnostics message	Selection <ul style="list-style-type: none"> ■ as assigned ■ NAMUR M ■ NAMUR S ■ NAMUR C ■ NAMUR F Factory setting as assigned	as assigned With this selection, the diagnosis messages are transmitted over the binary output that you individually allocated to it. NAMUR M ... F When you choose one of the Namur classes, all messages allocated to that particular class are output. You can change the Namur class assignment for each diagnostic message.
Assignments Function = Analyzer	Selection <ul style="list-style-type: none"> ■ None ■ Sample required SP1 ■ Measurement active SP1 Factory setting None	If this option is selected, the binary output outputs information as to whether a measurement is active on the selected measuring channel or an action is started that requires sample (measurement, calibration or cleaning). In the case of two-channel devices, Sample required SP2 and Measurement active SP2 is also displayed.
Signal type = PFM		
Max. frequency	1.00 to 1000.00 Hz Factory setting 1000.00 Hz	Maximum frequency of the PFM output signal Is to equal the maximum possible upper limit of the measuring range.
Meas. value format	Selection <ul style="list-style-type: none"> ■ # ■ #.# ■ #.## ■ #.### Factory setting #.##	<ul style="list-style-type: none"> ▶ Specify the number of decimal places.

Menu/Setup/Outputs/Binary output x:y ¹⁾		
Function	Options	Info
Source of data	Selection <ul style="list-style-type: none"> ▪ None ▪ Sensor inputs ▪ Binary inputs ▪ Controller ▪ Fieldbus signals ▪ Mathematical functions Factory setting None	Source whose value should be read out as a frequency via the binary output.
Measuring value Source of data ≠ Controller	Selection Depends on: Source of data	► Choose the measured value which should be output as the frequency via the binary output.
Actuator type Source of data = Controller	Selection <ul style="list-style-type: none"> ▪ None ▪ Bipolar ▪ Unipolar+ ▪ Unipolar- Factory setting None	► Determines which part of the controller should control the connected actuators, e.g. the dosing pump. Bipolar "Split range" Unipolar+ Part of the manipulated variable that the controller uses to increase the process value Unipolar- For connected actuators that decrease the controlled variable
Hold behavior	Selection <ul style="list-style-type: none"> ▪ Freeze ▪ Fixed value ▪ None Factory setting None	Freeze The device freezes the last value. Fixed value You define a fixed current value that is transmitted at the output. None A hold does not affect this output.
Hold value Hold behavior = Fixed value	0 ... 100 % Factory setting 0 %	
Error behavior	Selection <ul style="list-style-type: none"> ▪ Freeze ▪ Fixed value Factory setting Fixed value	Freeze The device freezes the last value. Fixed value You define a fixed current value that is transmitted at the output.
Error value Error behavior = Fixed value	0 ... 100 % Factory setting 0 %	

1) x:y = slot no. : input number


10.7 Signal outputs

10.7.1 Current outputs

Liquiline System CA80 has two analog current outputs by default. You can configure additional current outputs with extension modules.

Setting the current output range

- **Menu/Setup/General settings: 0..20 mA or 4..20 mA.**

Menu/Setup/Outputs/Current output x:y ¹⁾		
Function	Options	Info
Current output	Selection <ul style="list-style-type: none"> ▪ Off ▪ On Factory setting Off	Use this function to activate or deactivate a variable being output at the current output
Source of data	Selection <ul style="list-style-type: none"> ▪ None ▪ Connected inputs ▪ Controller Factory setting None	The sources of data on offer depend on your device version. The main value of the analyzer and all the sensors and controllers connected to inputs are available for selection.
Measured value	Selection <ul style="list-style-type: none"> ▪ None ▪ Depends on the Source of data Factory setting None	The measured value you can select depends on the option selected under Source of data .
 The list of dependent measured values is provided in the Measured value table , <i>subject to the Source of data</i> → 90. Apart from measured values from connected sensors, you can also select a controller as the data source. The best way to do so is by using the Additional functions menu. Here, you can select and configure the current output for outputting the controlled variable.		
Range lower value	Range of adjustment and factory settings depend on the Measured value	You can output the entire measuring range or just some of it at the current output. To do so, specify the upper and lower range values in accordance with your requirements.
Range upper value		
Hold behavior (for sensors)	Selection <ul style="list-style-type: none"> ▪ Freeze last value ▪ Fixed value ▪ Ignore Factory setting Depends on the channel:output	Freeze last value The device freezes the last current value. Fixed value You define a fixed current value that is output at the output. Ignore A hold does not affect this current output.
Hold current (for sensors) Hold behavior = Fixed value	0.0 to 23.0 mA Factory setting 22.0 mA	► Specify which current should be output at this current output in the hold state.

1) x:y = slot:output number

Measured value depending on the Source of data

Source of data	Measured value
Chromate	Selection Main value
pH Glass	Selection <ul style="list-style-type: none"> ▪ Raw value mV ▪ pH ▪ Temperature
pH ISFET	
ORP	Selection <ul style="list-style-type: none"> ▪ Temperature ▪ ORP mV ▪ ORP %

Source of data	Measured value
Oxygen (amp.)	Selection <ul style="list-style-type: none"> ■ Temperature ■ Partial pressure ■ Concentration liquid ■ Saturation ■ Raw value nA (only Oxygen (amp.)) ■ Raw value μs (only Oxygen (opt.))
Oxygen (opt.)	
Cond i	Selection <ul style="list-style-type: none"> ■ Temperature ■ Conductivity ■ Resistance (only Cond c) ■ Concentration (only Cond i and Cond c 4-pol)
Cond c	
Disinfection	Selection <ul style="list-style-type: none"> ■ Temperature ■ Sensor current ■ Concentration
ISE	Selection <ul style="list-style-type: none"> ■ Temperature ■ pH ■ Ammonium ■ Nitrate ■ Potassium ■ Chloride
TU/TS	Selection <ul style="list-style-type: none"> ■ Temperature ■ Turbidity g/l (only TU/TS) ■ Turbidity FNU (only TU/TS) ■ Turbidity Formazine (only TU) ■ Turbidity solid (only TU)
TU	
Nitrate	Selection <ul style="list-style-type: none"> ■ Temperature ■ NO₃ ■ NO₃-N
Ultrasonic interface	Selection Interface
SAC	Selection <ul style="list-style-type: none"> ■ Temperature ■ SAC ■ Transm. ■ Absorption ■ COD ■ BOD
Controller 1 Current input 1 ... 3	Selection <ul style="list-style-type: none"> ■ Bipolar (only for current outputs) ■ Unipolar+ ■ Unipolar-
Controller 2 Temperature 1 ... 3	
Mathematical functions	All the mathematical functions can also be used as a data source and the calculated value can be used as the measured value.

Outputting the controller manipulated variable via the current output

Unipolar+ Assign to the output to which an actuator that can increase the measured value is connected. **Unipolar-** Assign to the output to which an actuator that can decrease the measured value is connected.

To output the manipulated variable of a two-sided controller, positive manipulated variables and negative manipulated variables generally have to be output to different actuators, as most actuators are able to influence the process in one direction only (not in both). For this purpose, the instrument splits the bipolar manipulated variable y into two unipolar manipulated variables, y+ and y-.


Only the two unipolar manipulated variable parts are available for selection for outputting to modulated relays. If outputting the values via a current output, you also have the possibility of outputting the bipolar manipulated variable y to one current output only (split range).

10.7.2 Alarm relay and optional relays

The basic version of the device always has one alarm relay. Additional relays are also available depending on the version of the device.


The following functions can be output via a relay:

- Limit switch status
- Controller manipulated variable for controlling an actuator
- Diagnostic messages
- Status of a cleaning function in order to control a pump or a valve

 You can assign a relay to multiple inputs in order to clean several sensors with just one cleaning unit, for example.

Menu/Setup/Outputs/Alarm relay or relay at channel no.		
Function	Options	Info
Function	<p>Selection</p> <ul style="list-style-type: none"> ▪ Off ▪ Limit switch ▪ Controller ▪ Diagnostics ▪ Cleaning (sensor) ▪ Formula (sensor) ▪ Device status signal ▪ Analyzer <p>Factory setting</p> <ul style="list-style-type: none"> ▪ Alarm relays: Diagnostics ▪ Other relays: Off 	<p>The following functions depend on the option selected. These versions are illustrated individually in the following sections to provide a clearer understanding of the options.</p> <p>Function = Off Switches off the relay function and means no further settings are required.</p>

Outputting the status of a limit switch

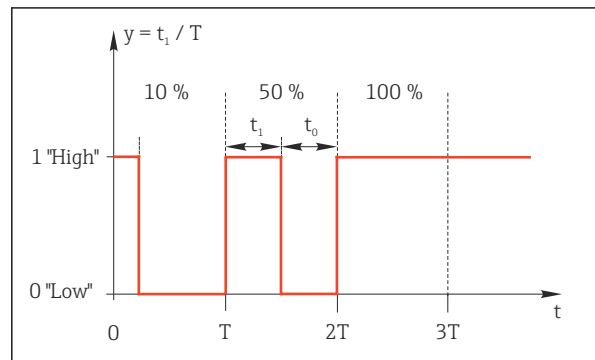
Function = Limit switch		
Function	Options	Info
Source of data	Selection Limit switch 1 ... 8 Factory setting None	Select the limit switch via which the status of the relay is to be output. The limit switches are configured in the menu: Setup/Additional functions/Limit switches .  Use the ALL and NONE soft keys to select or deselect all the limit switches in one go.
Hold behavior	Selection <ul style="list-style-type: none"> ▪ Freeze last value ▪ Fixed value ▪ Ignore Factory setting Ignore	

Outputting the manipulated variable of a controller

To output a controller manipulated variable via a relay, the relay is modulated. The relay is energized (pulse, t_1) and is then de-energized (interval, t_0).

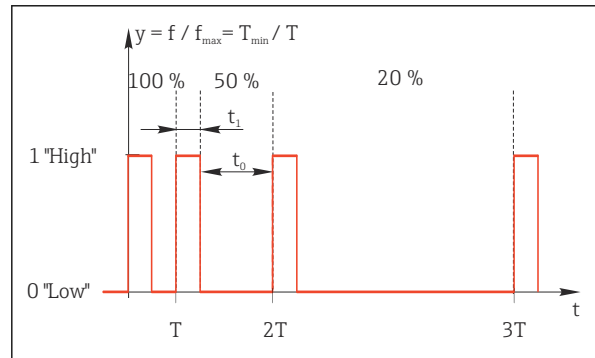
Function = Controller		
Function	Options	Info
Source of data	Selection <ul style="list-style-type: none"> ▪ None ▪ Controller 1 ▪ Controller 2 Factory setting None	<ul style="list-style-type: none"> ▶ Select the controller that should act as the data source.
Operating mode	Selection <ul style="list-style-type: none"> ▪ PWM ▪ PFM Factory setting PWM	PWM=pulse width modulation PFM=pulse frequency modulation

1. **PWM** (pulse width modulation):
The duty cycle is varied within a period T ($T=t_1+t_0$). The cycle duration remains constant.



69 Typical application: solenoid valve

2. **PFM** (pulse frequency modulation):
Here, pulses of a constant length (t_1) are output and the interval between the pulses varies (t_0). At a maximum frequency, $t_1 = t_0$.



70 Typical application: dosing pump

Function = Controller		
Function	Options	Info
Actuator type	Selection <ul style="list-style-type: none"> ■ None ■ Unipolar(-) ■ Unipolar(+) Factory setting None	Here you specify what part of the controller should power the relay. Unipolar(+) is the part of the manipulated variable which the controller uses to increase the process value (e.g. for heating purposes). Alternatively, select Unipolar(-) if you are connecting an actuator to the relay that reduces the controlled variable (e.g. for cooling purposes).
Cycle duration Operating mode = PWM	Shortest turn-on time to 999.0 s Factory setting 10.0 s	<ul style="list-style-type: none"> ► Specify the cycle duration within which the duty cycle should be varied (only PWM).
The settings for Cycle duration and Shortest turn-on time influence one another. The following applies: Cycle duration \geq Shortest turn-on time.		
Shortest turn-on time Operating mode = PWM	0.3 s to Cycle duration Factory setting 0.3 s	Pulses that are shorter than this limit value are not output in order to conserve the actuator.

Function = Controller		
Function	Options	Info
Maximum frequency Operating mode = PFM	1 to 180 min ⁻¹ Factory setting 60 min ⁻¹	Maximum number of pulses per minute The controller calculates the pulse duration based on this setting.
Hold behavior	Selection <ul style="list-style-type: none"> ▪ Freeze last value ▪ Fixed value ▪ Ignore Factory setting Ignore	

Outputting diagnostic messages via the relay

If a relay is defined as a diagnostic relay (**Function = Diagnostics**), it operates in "**Fail-safe mode**".

This means that the relay is always energized ("normally closed", n.c.) in the basic state if an error is not present. This enables it to also indicate a voltage drop, for example. The alarm relay always works in the failsafe mode.

You can output two categories of diagnostic messages via the relay:

- Diagnostic messages from one of the four NAMUR classes
- Diagnostic messages which you have individually assigned to the relay output

A message is individually assigned to the relay output at 2 specific points in the menu:

- **Menu/Setup/General settings/Extended setup/Diagnostics settings/Diag. behavior** (device-specific messages)
- **Menu/Setup/Inputs/<Sensor>/Extended setup/Diagnostics settings/Diag. behavior** (sensor-specific messages)

 Before you can assign a special message to the relay output in **Diag. behavior**, you need to set **Outputs/relay x:y** or **/Alarm relay/Function = Diagnostics**.

Function = Diagnostics		
Function	Options	Info
Operating mode	Selection <ul style="list-style-type: none"> ▪ as assigned ▪ NAMUR M ▪ NAMUR S ▪ NAMUR C ▪ NAMUR F Factory setting <ul style="list-style-type: none"> ▪ Relay: as assigned ▪ Alarm relays: NAMUR F 	as assigned If this option is selected, the diagnostic messages which you have individually assigned to the relay are output via the relay. NAMUR M ... NAMUR F If you decided to use one of the NAMUR classes, all the messages that are assigned to the individual class are output via the relay. You can also change the NAMUR class assignment for every diagnostic message. (Menu/Setup/General settings/Extended setup/Diagnostics settings/Diag. behavior or Menu/Setup/Inputs/<Sensor>/Extended setup/Diagnostics settings/Diag. behavior)
Attributed diagnostic messages Operating mode = as assigned	Read only	All the messages assigned to the relay output appear on the display. You do not have the option of editing the information here.

Outputting the status of a cleaning function

Function = Cleaning (for sensors)		
Function	Options	Info
Assignments	Selection <ul style="list-style-type: none"> ▪ None ▪ Depends on the type of cleaning Factory setting None	Here you can specify how a cleaning function should be displayed for the relay. You have the following options depending on the cleaning program that is selected (Menu/Setup/Additional functions/Cleaning): <ul style="list-style-type: none"> ▪ Cleaning type = Standard clean Cleaning 1 - Water, Cleaning 2 - Water, Cleaning 3 - Water, Cleaning 4 - Water ▪ Cleaning type = Chemoclean Cleaning 1 - Water, Cleaning 1 - Cleaner, Cleaning 2 - Water, Cleaning 2 - Cleaner, Cleaning 3 - Water, Cleaning 3 - Cleaner, Cleaning 4 - Water, Cleaning 4 - Cleaner ▪ Cleaning type = Chemoclean Plus 4x Cleaning 1 - %OV, 4x Cleaning 2 - %OV¹⁾
Hold behavior	Selection <ul style="list-style-type: none"> ▪ Freeze last value ▪ Fixed value ▪ Ignore Factory setting Ignore	Freeze last value The device freezes the last measured value. Fixed value You define a fixed measured value that is output at the output. Ignore A hold has no effect.

1) %OV is variable text which you can assign in **Menu/Setup/Additional functions/Cleaning/Chemoclean Plus/Output label 1 ... 4**.

Outputting the "Measurement active" system status and the information "Sample required"

Function = Analyzer		
Function	Options	Info
Signal type = Static signal		
Assignments Function = Analyzer	Selection <ul style="list-style-type: none"> ▪ None ▪ Sample required SP1 ▪ Measurement active SP1 Factory setting None	If this option is selected, information is output as to whether a measurement is active on the selected measuring channel or an action is started that requires sample (measurement, calibration or cleaning). In the case of two-channel devices, Sample required SP2 and Measurement active SP2 are also displayed

10.7.3 PROFIBUS DP and PROFINET

Device variables (device → PROFIBUS/PROFINET)

Here you can specify which process values should be mapped to the PROFIBUS function blocks and are thereby available for transmission via PROFIBUS communication.

You can define a maximum of 16 device variables (AI Blocks).

1. Define the data source.
↳ You can choose from sensor inputs, current inputs and mathematical functions.
2. Choose the measured value to be transmitted.
3. Define how the device should behave in the hold state (for sensors). (Configuration options of **Source of data**, **Measured value** and **Hold behavior**) → 90

Please note that if you select **Hold behavior= Freeze** , the system not only flags the status but also actually "freezes" the measured value.

In addition, you can define 8 binary variables (DI Blocks):

1. Define the data source.
2. Select the limit switch or relay whose status is to be transmitted.

PROFIBUS/PROFINET variables (PROFIBUS/PROFINET → device)

A maximum of 4 analog (AO) and 8 digital (DO) PROFIBUS variables are available as measured values in the controller, limit switch or current output menus.

Example: Using an AO or DO value as the set point for the controller

Menu/Setup/Additional functions/Controller 1

1. In the specified menu, define PROFIBUS as the data source.
2. Select the desired analog output (AO) or digital output (DO) as the measured value.



Further information on "PROFIBUS" can be found in the Guideline for Communication via PROFIBUS, SD01188C



Further information on "PROFINET" can be found in the Guideline for Communication via PROFINET, SD02490C

10.7.4 Modbus RS485 and Modbus TCP

Specify which process values should be output via Modbus RS485 Communication or via Modbus TCP.

In the case of Modbus RS485, you can switch between the RTU and the ASCII protocol.

You can define a maximum of 16 device variables.

1. Define the data source.
 - ↳ You can choose from the analyzer as well as sensor inputs and controllers.
2. Select the measured value to be output.
3. Define how the device should behave in the hold state (for sensors). (Configuration options of **Source of data, Measured value and Hold behavior**) → 90

Please note that if you select **Hold behavior = Freeze** , the system not only flags the status but also actually "freezes" the measured value.



Further information on "Modbus" can be found in the Guideline for Communication via Modbus, SD01189C

10.7.5 EtherNet/IP

Specify which process values should be output via EtherNet/IP communication.


You can define a maximum of 16 analog device variables (AI).

1. Define the data source.
 - ↳ You can choose from the analyzer as well as sensor inputs and controllers.
2. Select the measured value to be output.
3. Define how the device should behave in the hold state (for sensors). (Configuration options of **Source of data, Measured value and Hold behavior**) → 90
4. In the case of controllers, also specify the type of manipulated variable.

Please note that if you select **Hold behavior = Freeze** , the system not only flags the status but also actually "freezes" the measured value.

In addition you can define 8 digital device variables (DI):

- ▶ Define the data source.
 - ↳ You can choose from relays, binary inputs and limit switches.

 For further information on "EtherNet/IP", see the Guideline for Communication via EtherNet/IP, SD01293C

10.8 Additional functions

10.8.1 Limit switch

There are different ways to configure a limit switch:

- Assigning a switch-on and switch-off point
- Assigning a switch-on and switch-off delay for a relay
- Setting an alarm threshold and also outputting an error message
- Starting a cleaning function (for sensors)

Menu/Setup/Additional functions/Limit switches/Limit switch 1 ... 8		
Function	Options	Info
Source of data	Selection <ul style="list-style-type: none"> ▪ None ▪ Sensor inputs ▪ Binary inputs ▪ Controller ▪ Fieldbus signals ▪ Mathematical functions ▪ MRS set 1 ... 2 Factory setting None	<ul style="list-style-type: none"> ▶ Specify the input or output which is to be the data source for the limit switch. The sources of data on offer depend on your device version. You can choose from connected sensors, binary inputs, fieldbus signals, mathematical functions, controllers and sets for measuring range switching.
Measuring value	Selection Depends on: Source of data	<ul style="list-style-type: none"> ▶ Select the measured value, see the following table.

Measured value depending on the Source of data

Source of data	Measured value
Chromate	Selection Main value
pH Glass	Selection <ul style="list-style-type: none"> ▪ Raw value mV ▪ pH ▪ Temperature
pH ISFET	
ORP	Selection <ul style="list-style-type: none"> ▪ Temperature ▪ ORP mV ▪ ORP %
Oxygen (amp.)	Selection <ul style="list-style-type: none"> ▪ Temperature ▪ Partial pressure ▪ Concentration liquid ▪ Saturation ▪ Raw value nA (only Oxygen (amp.)) ▪ Raw value µs (only Oxygen (opt.))
Oxygen (opt.)	

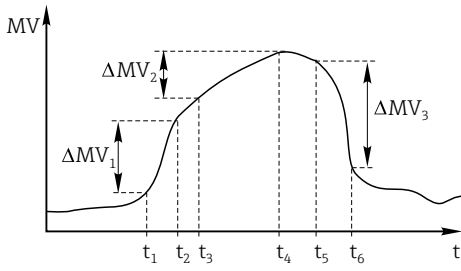
Source of data	Measured value
Cond i	Selection <ul style="list-style-type: none"> ■ Temperature ■ Conductivity ■ Resistance (only Cond c) ■ Concentration (only Cond i and Cond c 4-pol)
Cond c	
Disinfection	Selection <ul style="list-style-type: none"> ■ Temperature ■ Sensor current ■ Concentration
ISE	Selection <ul style="list-style-type: none"> ■ Temperature ■ pH ■ Ammonium ■ Nitrate ■ Potassium ■ Chloride
TU/TS	Selection <ul style="list-style-type: none"> ■ Temperature ■ Turbidity g/l (only TU/TS) ■ Turbidity FNU (only TU/TS) ■ Turbidity Formazine (only TU) ■ Turbidity solid (only TU)
TU	
Nitrate	Selection <ul style="list-style-type: none"> ■ Temperature ■ NO3 ■ NO3-N
Ultrasonic interface	Selection Interface
SAC	Selection <ul style="list-style-type: none"> ■ Temperature ■ SAC ■ Transm. ■ Absorption ■ COD ■ BOD
Controller 1 Current input 1 ... 3	Selection <ul style="list-style-type: none"> ■ Bipolar (only for current outputs) ■ Unipolar+ ■ Unipolar-
Controller 2 Temperature 1 ... 3	
Mathematical functions	All the mathematical functions can also be used as a data source and the calculated value can be used as the measured value.



You can monitor the manipulated variable by assigning the controller manipulated variable to a limit switch (e. g. configure a dosing time alarm).

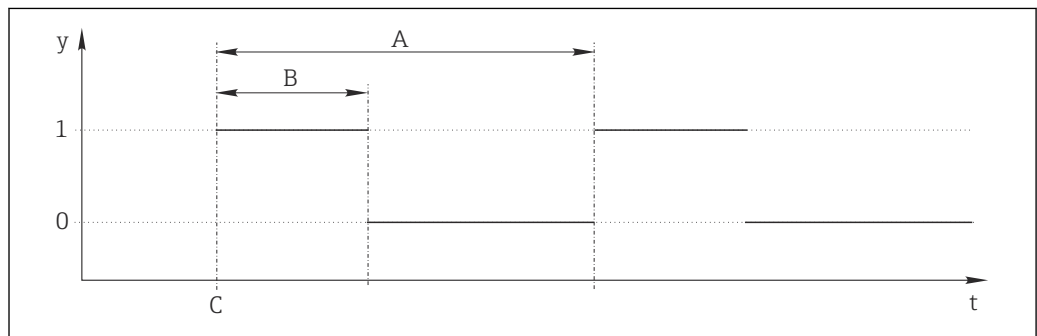
Menu/Setup/Additional functions/Limit switches/Limit switch 1 ... 8		
Function	Options	Info
Cleaning program	Selection <ul style="list-style-type: none"> None Cleaning 1 ... 4 Factory setting None	Use this function to choose which cleaning instance should start when the limit switch is active.
Function	Selection <ul style="list-style-type: none"> Off On Factory setting Off	Activating/deactivating the limit switch
Operating mode	Selection <ul style="list-style-type: none"> Above limit check Below limit check In range check Out of range check Change rate Factory setting Above limit check	Type of limit value monitoring: <ul style="list-style-type: none"> Limit value overshoot or undershoot → 71 Measured value within or outside a range → 72 Rate of change → 74
Limit value	Settings depend on the measured value	Operating mode = Above limit check or Below limit check
<div style="display: flex; justify-content: space-around;"> <div style="text-align: center;"> <p>(A)</p> </div> <div style="text-align: center;"> <p>(B)</p> </div> </div> <p style="text-align: right; font-size: small;">A0028523</p> <p> 71 Exceeding (A) and undershooting (B) a limit value (without hysteresis and switch-on delay)</p> <p>1 Limit value 2 Alarm range $t_{1,3,5}$ No action $t_{2,4}$ An event is generated</p> <ul style="list-style-type: none"> If measured values (MV) are increasing, the relay contact is closed when the switch-on point is exceeded (Limit value + Hysteresis) and the start delay (Start delay) has elapsed. If measured values are decreasing, the relay contact is reset when the switch-off point is undershot (Limit value - Hysteresis) and after the drop-out delay (Switch off delay). 		

Menu/Setup/Additional functions/Limit switches/Limit switch 1 ... 8		
Function	Options	Info
Range lower value	Settings depend on the measured value	Operating mode = Out of range check or In range check
Range upper value		
<div style="display: flex; justify-content: space-around;"> <div style="text-align: center;"> <p>(A)</p> </div> <div style="text-align: center;"> <p>(B)</p> </div> </div> <p style="text-align: right; font-size: small;">A0028524</p>		
<p>☑ 72 Range monitoring outside (A) and within (B) a range (without hysteresis and switch-on delay)</p> <p>1 End of range 2 Start of range 3 Alarm range t_{1-4} An event is generated</p> <ul style="list-style-type: none"> ▪ If measured values (MV) are increasing, the relay contact is closed when the switch-on point is exceeded (Range lower value + Hysteresis) and the start delay (Start delay) has elapsed. ▪ If measured values are decreasing, the relay contact is reset when the switch-off point is undershot (Range upper value - Hysteresis) and after the drop-out delay (Switch off delay). 		
Hysteresis	Settings depend on the measured value	<p>Operating mode ≠ Change rate</p> <p>The hysteresis is needed to ensure a stable switching behavior. The device software adds or subtracts the value set here to/from the limit value (Limit value, Range lower value or Range upper value). This results in double the Hysteresis value for the hysteresis range around the limit value. An event is then only generated if the measured value (MV) completely passes through the hysteresis range.</p> <p style="text-align: right; font-size: x-small;">A0028525</p>
<div style="text-align: center;"> </div> <p>☑ 73 Hysteresis taking the example of limit value overshoot</p> <p>1 Limit value 2 Alarm range 3 Hysteresis range $t_{1,2}$ An event is generated</p>		
Start delay	0 to 9999 s	Synonyms: pick-up and drop-out delay
Operating mode ≠ Change rate	Factory setting 0 s	
Switch off delay		
Operating mode ≠ Change rate		

Menu/Setup/Additional functions/Limit switches/Limit switch 1 ... 8		
Function	Options	Info
Delta value	Settings depend on the measured value	<p>Operating mode = Change rate</p> <p>The slope of the measured value (MV) is monitored in this mode.</p> <p>If, in the specified time frame (Delta time), the measured value increases or decreases by more than the specified value (Delta value), an event is generated. No further event is generated if the value continues to experience such a steep increase or decrease. If the slope is back below the limit value, the alarm status is reset after a preset time (Auto confirm).</p> <p>Events are triggered by the following conditions in the example given:</p> <p>$t_2 - t_1 < \text{Delta time}$ and $\Delta MV_1 > \text{Delta value}$</p> <p>$t_4 - t_3 > \text{Auto confirm}$ and $\Delta MV_2 < \text{Delta value}$</p> <p>$t_6 - t_5 < \text{Delta time}$ and $\Delta MV_3 > \text{Delta value}$</p>
Delta time	00:00:01 ... 23:59:00 Factory setting 01:00:00	
Auto confirm	00:01 to 23:59 Factory setting 00:01	
 <p>A0028526</p>		
<p>74 Rate of change</p>		

10.8.2 Time switch

A time switch provides a time-controlled, binary process value. This can be used as a source by the "Formula" mathematical function.



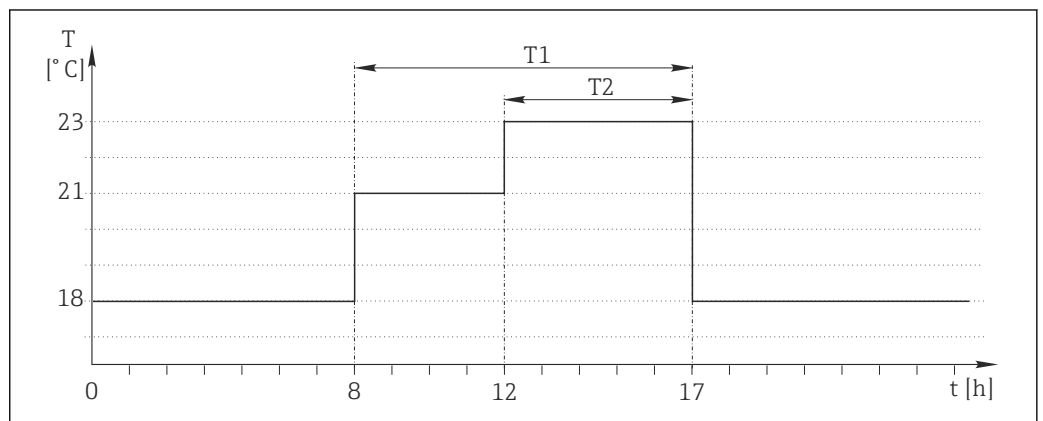
75 Signal pattern of a time switch

- t Timeline
- y Signal level (1 = on, 0 = off)
- A Period
- B Signal duration
- C Start time (Start date, Start time)

Menu/Setup/Additional functions/Time switches/ Time switch 1 ... 8		
Function	Options	Info
Function	Selection <ul style="list-style-type: none"> ■ On ■ Off Factory setting Off	Switches the function on or off
Start date	01.01.2000 to 31.12.2099 Format DD.MM.YYYY	► Enter start date
Start time	00:00:00 to 23:59:59 Format hh.mm.ss	► Enter start time
Signal duration	00:00:03 to 2400:00:00 Format hh.mm.ss	Duration of the high signal level at the start of a cycle
Period	00:00:03 to 2400:00:00 Format hh.mm.ss	Duration of a cycle
Signal	Display only	Current process value of the time switch
Next signal date	Display only	Date of the next signal
Next signal time	Display only	Time of the next signal

Example 1: Time-based set point for a temperature controller

The temperature should increase to 21 °C from 08:00 every day, and then to 23 °C for 5 hours from 12:00. The temperature should be controlled to fall back down to 18 °C from 17:00. Two time switches are defined for this purpose which are used in a **MF1: Formula** mathematical function. Using the mathematical function, an analog temperature set point is thus available for a controller.



76 Time-based temperature control

1. Program **Time switch 1 (T1)**:

- **Start date** = 01.01.2020
- **Start time** = 08:00:00
- **Signal duration** = 09:00:00
- **Period** = 24:00:00

2. Define **Time switch 2 (T2)**:

- **Start date** = 01.01.2020
- **Start time** = 12:00:00
- **Signal duration** = 05:00:00
- **Period** = 24:00:00

3. Create **Formula** mathematical function.

Menu/Setup/Additional functions/Mathematical functions

- MF1: Formula
- **Tracking** = On
- **Source A** = **Time switch 1**
- **Source B** = **Time switch 2**
- **Formula** = $18.0 + 3 * \text{NUM}(A) + 2 * \text{NUM}(B)$

Explanation: NUM converts the logical value to a numerical value and thus enables multiplication.

- $3 * \text{NUM}(A)$ results in the value 3.0 from 08:00 to 17:00 and 0.0 outside of this time period.
- $2 * \text{NUM}(B)$ results in the value 2.0 from 12:00 to 17:00 and 0.0 outside of this time period.

The formula thus yields one of these analog values depending on the time: 18.0, 21.0 or 23.0. This analog value can be used as a set point for a temperature controller.

Example 2: Time-based condition

A pump should switch on (via a relay) for 10 minutes every 2 hours. This only applies if the pH value is lower than 4.0.

1. Program **Time switch 1**:

- **Start date** = 01.01.2020
- **Start time** = 00:00:00
- **Signal duration** = 00:10:00
- **Period** = 02:00:00

2. Create **Formula** mathematical function.

Menu/Setup/Additional functions/Mathematical functions

- MF1: Formula
- **Tracking** = On
- **Source A** = **Time switch 1**
- **Source B** = pH value of a Memosens pH input
- **Formula** = $A \text{ AND}(B < 4.0)$

3. Use the formula as the data source of a relay.

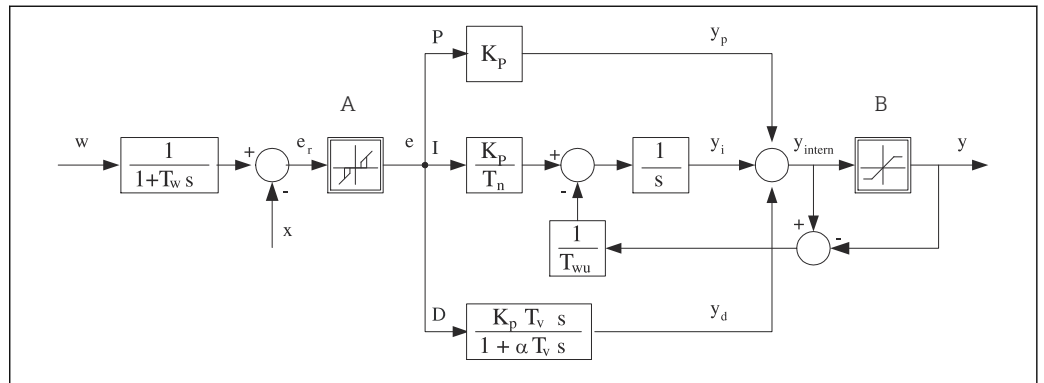
Menu/Setup/Outputs/Relay[x:y]

- **Function** = **Formula**
- **Operating mode** = **Static signal**
- **Source of data** = **MF1: Formula**

The formula yields a logical value (TRUE or FALSE) and is thus suitable to trigger a relay directly in the static operating mode. **Time switch 1** provides a TRUE value for 10 minutes every 2 hours but only if the pH value has dropped to below 4 at the same time.

10.8.3 Controller

Controller structure in Laplace representation



77 Block diagram of the controller structure

A	Neutral zone	I	Integral value
B	Output limiting	D	Derivative value
K_p	Gain (P-value)	αT_v	Damping time constant with $\alpha = 0$ to 1
T_n	Integral action time (I-value)	e	Control deviation
T_v	Derivative action time (D-value)	w	Set point
T_w	Time constant for set point damping	x	Controlled variable
T_{wu}	Time constant for anti-windup feedback	y	Manipulated variable
P	Proportional value		

The controller structure of the device comprises set point damping at the input to prevent erratic changes in the manipulated variable if the set point changes. The difference between the set point w and the controlled variable (measured value) X results in the control deviation which is filtered by a neutral zone.

The neutral zone is used to suppress control deviations (e) that are too small. The control deviation thus filtered is now fed to the actual PID controller which divides into 3 parts based on the P (proportional), I (integral) and D (derivative) values (top-down). The integral section (middle) also comprises an anti-windup mechanism for limiting the integrator. A low-pass filter is added to the D-section to damp hard D-terms in the manipulated variable. The sum of the 3 sections results in the internal controller manipulated variable which is limited according to the settings (for PID-2s to -100% to +100%).

The graphic does not illustrate a downstream filter for limiting the rate of change of the manipulated variable (can be configured in the menu in **Max y change rate**).

i In the menu do not configure the gain K_p . Instead configure the reciprocal value, the proportional band X_p ($K_p=1/X_p$).

Parameter configuration

Make the following decisions to configure a controller:

- (1) What type of process can your process be assigned to? → **Process type**
- (2) Should it be possible to influence the measured variable (controlled variable) in one direction or in both directions? One-sided or two-sided controller, → **Controller type**
- (3) What should be the controlled variable (sensor, measured value)? → **Controlled variable**
- (4) Do you have a disturbance variable that should be active at the controller output? → **Disturbance variable**

- (5) Specify the parameters for the controller:
 - Set point, → **Setpoint**
 - Neutral zone, → **Xn**
 - Proportional band, → **Xp**
 - Integral action time (I-value), → **Tn**
 - Derivative action time (D-value), → **Tv**
- (6) What should the controller do in the event of a hold (measured error, sensor replacement, cleaning etc.)?
 - Pause or continue with dosing? → **Hold behavior/Manipulated Variable**
 - At the end of a hold, continue or restart the control loop (affects I-value)? → **Hold behavior/State**
- (7) How should the actuator be triggered?
 - **Unipolar+**: assign this setting to the output for an actuator which can increase the measured value.
 - **Unipolar-**: assign this setting to the output for an actuator which can decrease the measured value.
 - **Bipolar**: select this setting if you want to output the manipulated variable via one current output only (split range).
- (8) Configure the outputs and switch on the controller.

Menu/Setup/Additional functions/Controller 1 ... 2		
Function	Options	Info
Control	Selection <ul style="list-style-type: none"> ▪ Off ▪ Automatic ▪ Manual mode Factory setting Off	<ul style="list-style-type: none"> ▶ First configure the controller and leave the switch at the factory setting (Off). Once you have made all the settings, you can assign the controller to an output and switch it on.
▶ Manual mode		
y	-100 to 100 % Factory setting 0 %	▶ Specify the manipulated variable that should be output in manual mode.
y actual output	Read only	Manipulated variable actually output.
Setpoint		Current set point
x		Current measured value
Disturbance variable		Current measured value of disturbance variable
Norm. disturb. value		
Name	Free text	▶ Give the controller a name so you can identify it later on.
Controller enable	Selection <ul style="list-style-type: none"> ▪ None ▪ Binary inputs ▪ Limit switches ▪ Fieldbus variables Factory setting None	In connection with the DIO module, you can select a binary input signal, e. g. from an inductive proximity switch, as a source for enabling the controller.
Setup Level	Selection <ul style="list-style-type: none"> ▪ Standard ▪ Advanced Factory setting Standard	Changes the number of parameters that can be configured. → Parameters → 📖 110 Standard: If you choose this, the other controller parameters are active nevertheless. The factory settings are used. These suffice in most cases.

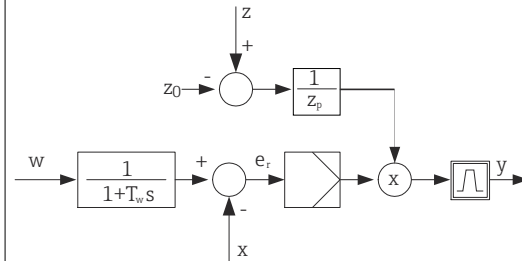
Menu/Setup/Additional functions/Controller 1 ... 2		
Function	Options	Info
Process type	<p>Selection</p> <ul style="list-style-type: none"> ▪ Inline ▪ Batch <p>Factory setting Inline</p>	<p>► Decide what type of process best describes your particular process.</p>
<p>Batch process The medium is in a closed system. The task of the control system is to dose in such a way that the measured value (controlled variable) changes from its start value to its target value. No more dosing is needed once the set point has been reached and the system is stable. If the target value is overshoot, a two-sided control system can compensate for this. In the case of 2-sided batch control systems, a neutral zone is used/configured to suppress oscillations around the set point.</p> <p>In-line process In an in-line process, the control system works with the medium flowing by in the process. Here, the controller has the task of using the manipulated variable to set a mixture ratio between the medium and dosing agent such that the resulting measured variable corresponds to the set point. The properties and volume of the medium flow can change at any time and the controller has to react to these changes on a continuous basis. If the flow rate and medium remain constant, the manipulated variable can also assume a fixed value once the process has settled. Since the control process is never "finished" here, this type of control is also referred to as continuous control.</p> <p>i A mixture of both process types can often be found in practice: the semi-batch process. Depending on the ratio between the flow and the container volume, this arrangement behaves either like a batch process or an in-line process.</p>		
Controller type	<p>Selection</p> <ul style="list-style-type: none"> ▪ PID 1-sided ▪ PID 2-sided <p>Factory setting PID 2-sided</p>	<p>Depending on which actuator you have connected, you influence the process in only one direction (e.g. heating) or in both directions (e.g. heating and cooling).</p>
<p>A 2-sided controller can output a manipulated variable in the range from -100 % to +100 %, i. e. the manipulated variable is bipolar. The manipulated variable is positive if the controller should increase the process value. In the case of a pure P-controller, this means that the value of the controlled variable x is smaller than the set point w. On the other hand, the manipulated variable is negative if the process value should be decreased. The value for x is greater than the set point w.</p>		
<p>i 78 Relationship $y = (w-x)/X_p$</p>		

Menu/Setup/Additional functions/Controller 1 ... 2		
Function	Options	Info
Effective direction Controller type = PID 1-sided	Selection <ul style="list-style-type: none"> ▪ Direct ▪ Reverse Factory setting Reverse	In what direction should the controller influence the measured value? <ul style="list-style-type: none"> ▪ The measured value should increase as a result of dosing (e. g. heating) → Reverse ▪ The measured value should decrease as a result of dosing (e. g. cooling) → Direct
<p>A 1-sided controller has a unipolar manipulated variable, i. e. it can only influence the process in one direction. Reverse: If the controller should increase the process value, set this as the direction of action. The controller becomes active when the process value is too small (range A). Direct: With this direction of action, the controller acts as a "downwards controller". It becomes active when the process value (e. g. the temperature) is too high (range B).</p>		
<p> 79 Red: overlap between the curves of the two 1-sided controllers.</p>		
▶ Controlled variable		
Source of data	Selection <ul style="list-style-type: none"> ▪ None ▪ Sensor inputs ▪ Current inputs ▪ Fieldbus signals ▪ Binary inputs ▪ Mathematical functions Factory setting None	▶ Specify the input or output which should be the source of data for the controlled variable.
Measured value	Selection Depends on Source of data Factory setting None	▶ Specify the measured value that should be your controlled variable. You can use different measured values depending on the data source.
▶ Setpoint		Target value of the controlled variable This menu is not displayed if you selected a fieldbus as the source (Source of data = fieldbus).
Setpoint	Range of adjustment and factory setting depending on the Source of data	▶ Specify the target value for the controlled variable.
Tw Setup Level = Advanced	0.0 to 999.9 s Factory setting 2.0 s	Time constant for the set point damping filter
▶ Disturbance variable		optional, activation code necessary

Menu/Setup/Additional functions/Controller 1 ... 2

Function	Options	Info
----------	---------	------

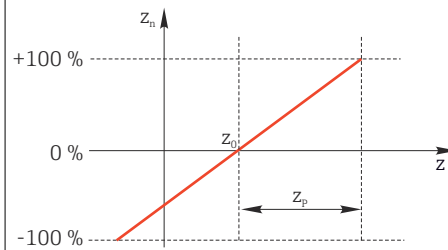
In the case of "flowing medium" (in-line) controls, the flow rate may not be constant. In some circumstances, strong fluctuations are possible. In the case of a settled control system in which the flow rate is suddenly halved, it is desirable that the dosed quantity from the controller is also directly halved. In order to achieve this type of "flow-rate-proportional" dosing, this task is not left to the I-component of the controller, but rather one enters the (to be measured) flow rate as disturbance variable z multiplicative at the controller output.



Strictly speaking, feedforward control involves an open-loop control system, since its effect is not measured directly. That means that the feed flow is directed exclusively forward. Hence the designation "feedforward control".

For the additive feedforward control that is alternatively available in the device, the (standardized) disturbance variable is added to the controller manipulated variable. This enables you to set up a type of variable base load dosing.

The standardization of the disturbance variable is required both for multiplicative and for additive feedforward control and is done using parameters Z_0 (zero point) and Z_p (proportional band): $z_n = (z - z_0)/Z_p$



Example

Flowmeter with measuring range 0 to 200 m³/h

The controller would currently dose 100% without feedforward control.

The feedforward control should be configured such that at $z = 200\text{m}^3/\text{h}$, the controller still doses at 100% ($z_n = 1$).

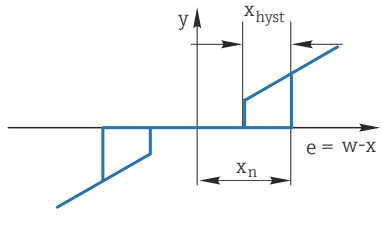
If the flow rate drops, the dosing rate should be reduced, and at a flow rate of less than 4 m³/h, dosing should stop entirely ($z_n = 0$).

→ Select the zero point $z_0 = 4\text{ m}^3/\text{h}$ and the proportional band $Z_p = 196\text{ m}^3/\text{h}$.

Function	Selection <ul style="list-style-type: none"> ▪ Off ▪ Multiply ▪ Add Factory setting Off	Selecting multiplicative or additive feedforward control
Source of data	Selection <ul style="list-style-type: none"> ▪ None ▪ Sensor inputs ▪ Current inputs ▪ Fieldbus signals ▪ Binary inputs ▪ Mathematical functions Factory setting None	<ul style="list-style-type: none"> ▶ Specify the input which should be the source of data for the disturbance variable.

Menu/Setup/Additional functions/Controller 1 ... 2		
Function	Options	Info
Measured value	Selection Depends on Source of data Factory setting None	► Specify the measured value that should be your disturbance variable. You can use different measured values depending on the data source.
Zp	Range of adjustment depending on the selection of the measured value	Proportional band -->
Z0		Zero point
► Parameters The Liquiline PID controller has been implemented in the serial structural form, i. e. it has the following parameters: <ul style="list-style-type: none"> ▪ Integral action time T_n ▪ Derivative action time T_v ▪ Proportional band X_p Setup Level = Advanced: With this setup level, you can also configure the following: <ul style="list-style-type: none"> ▪ Time constant T_{wu} ▪ Time constant α ▪ Width of the neutral zone X_n ▪ Width of the hysteresis range of the neutral zone X_{hyst} ▪ Clock time of the controller 		
T_n	0.0 to 9999.0 s Factory setting 0.0 s	The integral action time specifies the effect of the I-value If $T_n > 0$ the following applies: $Clock < T_{wu} < 0.5(T_n + T_v)$
The integral action time is the time needed in a step-function response to achieve a change in the manipulated variable - as a result of the I effect - which has the same magnitude as the P-value.		
<p>$e = \text{control deviation, } e = w - x \text{ (set point controlled variable)}$</p>		

Menu/Setup/Additional functions/Controller 1 ... 2		
Function	Options	Info
Twu	0.1 to 999.9 s Factory setting 20.0 s	Time constant for anti-windup feedback The lower the value the greater the integrator inhibition. Exercise extreme caution when making changes. Clock < Twu < 0.5(Tn + Tv)
Tv	0.1 to 999.9 s Factory setting 0.0 s	The derivative action time specifies the effect of the D-value The derivative action time is the time by which the ramp response of a PD controller reaches a specific value of the manipulated variable at an earlier stage than it would solely as a result of its P-value.
alpha	0.0 to 1.0 Factory setting 0.3	Affects the additional damping filter of the D-controller. The time constant is calculated from $\alpha \cdot T_v$.
Process balance Controller type = PID 2-sided	Selection <ul style="list-style-type: none"> ▪ Symmetric ▪ Asymmetric Factory setting Symmetric	Symmetric There is only one control gain and this applies for both sides of the process. Asymmetric You can set the control gain individually for both sides of the process.
Xp Process balance = Symmetric	Range of adjustment and factory setting depending on the Source of data	Proportional band, reciprocal value of the proportional gain K_p As soon as controlled variable x deviates more than x_p from the set point w, manipulated variable y reaches 100%.
Xp Low Process balance = Asymmetric	Range of adjustment and factory setting depending on the Source of data	x_p for $y < 0$ (manipulated variable < 0)
Xp High Process balance = Asymmetric		x_p for $y > 0$ (manipulated variable > 0)
Xn	Range of adjustment and factory setting depending on the Source of data	Tolerance range about the set point that prevents minor oscillations about the set point if using two-sided control loops.
XN Low Process balance = Asymmetric	Range of adjustment and factory setting depending on the Source of data	x_n for $x < w$ (controlled variable $<$ set point)
XN High Process balance = Asymmetric		x_n for $x > w$ (controlled variable $>$ set point)

Menu/Setup/Additional functions/Controller 1 ... 2		
Function	Options	Info
XHyst	0.0 to 99.9 % Factory setting 0.0 %	Width of the hysteresis range of the neutral zone, relative component of x_n
 <p>The graphic illustrates the manipulated variable (with a pure P-controller) over the control deviation e (set point minus controlled variable). Very low control deviations are set to zero. Control deviations $> x_n$ are processed "in the normal way". Via x_{hyst} it is possible to configure a hysteresis to suppress oscillations at the edges.</p>		
Clock	0.333 to 100.000 s Factory setting 1.000 s	Expert setting Only change the clock time of the controller if you know exactly what you are doing. Clock < Twu < 0.5(Tn + Tv)
Max y change rate	0.00 to 1.00 Factory setting 0.40	Limits the change of the output variable A value of 0.5 permits a maximum manipulated variable change of 50 % within one second.
► Exception behavior		Hold=measured value is no longer reliable
Manipulated Variable	Selection <ul style="list-style-type: none"> ■ Freeze ■ Fixed value Factory setting Freeze	How should the controller react to a measured value that is no longer reliable? Freeze The manipulated variable is frozen at the current value Fixed value Manipulated variable is set to 0 (no dosing)
State	Selection <ul style="list-style-type: none"> ■ Freeze ■ Reset Factory setting Freeze	Internal controller status Freeze No change Reset After a hold, the control system starts from scratch, and settling time takes place again.
Hold as exception	Selection <ul style="list-style-type: none"> ■ All ■ None Factory setting All	► Select: Should the hold trigger the previously selected exception behaviour, or should it be ignored?
► Outputs		Goes to the menu Outputs
► Controller assignment view		Shows an overview of the inputs and outputs used

10.8.4 Cleaning programs for sensors

⚠ CAUTION

Programs not switched off during maintenance activities.

Risk of injury due to medium or cleaning agent!

- Quit any programs that are active.
- Switch to the service mode.
- If testing the cleaning function while cleaning is in progress, wear protective clothing, goggles and gloves or take other suitable measures to protect yourself.

Types of cleaning

The user can choose from the following cleaning types:


- Standard clean
- Chemoclean
- Chemoclean Plus

i State of cleaning: Indicates whether the cleaning program is active or not. This is for information purposes only.

Selecting the cleaning type

1. **Menu/Setup/Additional functions/Cleaning:** Select a cleaning program.
 - ↳ You can configure 4 different types of cleaning which you can assign individually to the inputs.
2. **Cleaning type:** For each cleaning program decide which type of cleaning should be performed.


Standard cleaning

Standard cleaning involves cleaning a sensor with compressed air as performed with the ion-selective sensor CAS40D (connection of cleaning unit for →  37CAS40D) or rinsing with water, for example.

Menu/Setup/Additional functions/Cleaning/Cleaning 1 ... 4/Standard clean		
Function	Options	Info
Cleaning time	5 to 600 s Factory setting 10 s	Cleaning duration The cleaning duration and interval are dependent on the process and sensor. ▶ Determine the variables empirically or based on experience.

▶ Define the cleaning cycle →  116.

Chemoclean

One example is the use of the CYR10B injector unit for cleaning sensors, e.g. with CYA112 (CYR10B →  37 connection).

Menu/Setup/Additional functions/Cleaning/Cleaning 1 ... 4/Chemoclean		
Function	Options	Info
Cleaning time	0 to 900 s Factory setting 5 s	Cleaning duration
Prerinse time	0 to 900 s	The cleaning duration, pre-rinse and post-rinse times and the interval are dependent on the process and sensor. Determine the variables empirically or based on experience.
Postrinse time	Factory setting 0 s	

Chemoclean Plus

One example is the use of the CYR10B injector unit in conjunction with Cleanfit Control CYC25 for automated cleaning of 12 mm sensors in pneumatic retractable assemblies (CYC25 connection, see CYC25 Operating Instructions: BA01436C).

Menu/Setup/Additional functions/Cleaning/Cleaning 1 ... 4/Chemoclean Plus/Chemoclean Plus setup		
Function	Options	Info
Cleaning steps setup	Table to create a time program	You define a maximum of 30 program steps which are to be performed one after the other. For each step, enter the duration [s] and the state (0 = "off", 1 = "on") of each relay or output. You can specify the number and name of the outputs further down in the menu. See below for an example of programming.
		Querying the switch status of the limit position switch in the limit switch column: When used with CYC25 with a retractable assembly connected, the following signal table applies:
		CPA871/CPA875
		Service ES1 1 ES2 1
		Measuring ES1 0 ES2 0
		CPA472D/CPA473/CPA474
Service ES1 1 ES2 0		
Measuring ES1 0 ES2 1		
Failsafe step setup	Table view	► In the table specify the states that the relays or outputs should assume in the event of an error.
Limit contacts	0 to 2	► Select the number of digital input signals (e.g. from limit position switches of the retractable assembly). For querying the limit position switches of a retractable assembly, select 2.
Limit contact 1 ... 2	Selection ▪ Binary inputs ▪ Fieldbus signals	► Define the signal source for each limit position switch. When used with CYC25 with a retractable assembly connected: ▪ Limit contact 1 = DI x:1 (Service) ▪ Limit contact 2 = DI x:2 (Measuring)
Outputs	0 to 4	► Select the number of outputs that actuators, such as valves or pumps, should activate.
Output label 1 ... 4	User-defined text	You can assign a meaningful name to each output, e.g. "assembly", "cleaner 1", "cleaner 2", etc. When used with CYC25: ▪ Output 1 = assembly (4/2-way pilot valve) ▪ Output 2 = water (relay, e.g. CYR10B) ▪ Output 3 = cleaner (relay, e.g. CYR10B) ▪ Output 4 = optional valve (CYC25-AA relay or CYC25-AB 3/2-way pilot valve)

The pneumatic retractable assembly, e.g. CPA87x, is activated by compressed air via a two-way valve. As a result, the assembly assumes either the "Measuring" position (sensor in medium) or the "Service" position (sensor in rinse chamber). Media such as water or

cleaning agents are supplied via valves or pumps. Here there are two states: 0 (= "off" or "closed") and 1 (= "on" or "open").

Programming example: Regular cleaning with water and two cleaning agents

Step	Limit switch	Duration [s]	Assembly CPA87x	Water	Cleaner 1	Cleaner 2
1	ES1 1	5	1	1	0	0
2	ES2 1	5	1	1	0	0
3	0	30	1	1	0	0
4	0	5	1	1	1	0
5	0	60	1	0	0	0
6	0	30	1	1	0	0
7	0	5	1	1	0	1
8	0	60	1	0	0	0
9	0	30	1	1	0	0
10	ES1 0	5	0	1	0	0
11	ES2 0	5	0	1	0	0
12	0	5	0	0	0	0

Programming example: Regular cleaning with water, one cleaning agent and additional valve on the rinse chamber outlet of the assembly (seal water)

Step	Limit switch	Duration [s]	Assembly CPA87x	Water	Cleaner	Valve
1	0	5	0	1	0	0
2	ES1 1	5	1	1	0	0
3	ES2 0	5	1	1	0	1
4	0	30	1	1	0	1
5	0	5	1	1	1	0
6	0	60	1	0	0	1
7	0	30	1	1	0	0
8	ES1 0	5	0	1	0	0
9	ES2 1	5	0	1	0	0
10	0	5	0	0	0	0

Defining the cleaning cycle

Menu/Setup/Additional functions/Cleaning/Cleaning 1 ... 4		
Function	Options	Info
Cleaning cycle	Selection <ul style="list-style-type: none"> ▪ Off ▪ Interval ▪ Weekly program Factory setting Weekly program	<ul style="list-style-type: none"> ▶ Choose from a cleaning routine that is restarted at set intervals and a user-definable weekly program.
Cleaning interval Cleaning cycle = Interval	0-00:01 to 07-00:00 (D-hh:mm) Factory setting 1-00:00	The interval value can be between 1 minute and 7 days. Example: You have set the value "1-00:00". Each day, the cleaning cycle starts at the same time you started the first cleaning cycle.
Daily event times Cleaning cycle = Weekly program	00:00 to 23:59 (HH:MM)	<ol style="list-style-type: none"> 1. Define up to 6 times (Event time 1 ... 6). ↳ You can then choose from these for each day of the week.
Weekdays Cleaning cycle = Weekly program	Selection Monday ... Sunday	<ol style="list-style-type: none"> 2. Choose individually for each day of the week which of the 6 times should be used for a cleaning routine on this particular day. This allows you to create weekly programs that are perfectly adapted to suit your process.

Other settings and manual cleaning

Menu/Setup/Additional functions/Cleaning/Cleaning 1 ... 4		
Function	Options	Info
Start signal	Selection <ul style="list-style-type: none"> ■ None ■ Fieldbus signals ■ Signals of digital or analog inputs Factory setting None	In addition to cyclic cleaning, you can also use an input signal to start event-controlled cleaning. <ul style="list-style-type: none"> ▶ Choose the trigger for such a cleaning process here. Interval and weekly programs are executed as normal, which means that conflicts can arise. Priority is given to the cleaning program that was the first to be started.
Hold	Selection <ul style="list-style-type: none"> ■ Off ■ On Factory setting On	<ul style="list-style-type: none"> ▶ Decide whether there should be a hold during the cleaning process. This hold affects the inputs to which this cleaning process is assigned. Activate the cleaning hold in the advanced setup for the sensor.
Start cyclic	Action	Activates the cyclical cleaning as set. Only visible if Interval is selected under Cleaning cycle .
▷ Start single	Action	Starts an individual cleaning process with the selected parameters. If cyclical cleaning is enabled, there are times in which it is not possible to manually start the process.
▷ Stop or Stop failsafe	Action	Ends the cleaning process (cyclical or manual) Only visible if the program is running or if Failsafe has happened.
▶ Outputs		Switch to the Outputs menu Assignment of the relay with Chemoclean Plus : <ul style="list-style-type: none"> ■ Relay x:1 - Cleaning x - Out1 or as assigned in setup for Chemoclean Plus. ■ Relay x:2 - Cleaning x - Out2 or as assigned in setup for Chemoclean Plus. ■ Relay x:3 - Cleaning x - Out3 or as assigned in setup for Chemoclean Plus. ■ Relay x:4 - Cleaning x - Out4 or as assigned in setup for Chemoclean Plus.
▶ Cleaning program assignment view		Shows an overview of the assignment of inputs and outputs in the cleaning program.

10.8.5 Mathematical functions

In addition to "real" process values, which are provided by connected physical sensors or analog inputs, mathematical functions can be used to calculate a maximum of 8 "virtual" process values.

The "virtual" process values can be:

- Output via a current output or a fieldbus
- Used as a controlled variable
- Assigned as a measured variable to a limit switch
- Used as a measured variable to trigger cleaning
- Displayed in user-defined measuring menus

Difference

You can subtract the measured values of two sensors and use the result to detect incorrect measurements, for example.

To calculate a difference, you must use two measured values with the same engineering unit.

Menu/Setup/Additional functions/Mathematical functions/MF1 to 8/Mode = Difference		
Function	Options	Info
Calculation	Selection <ul style="list-style-type: none"> ▪ Off ▪ On Factory setting Off	On/off switch for the function
Y1	The options depend on the sensors connected	Select the sensors and measured variables that should function as the minuend (Y1) or subtrahend (Y2).
Measured value		
Y2		
Measured value		
Difference value	Read only	View this value in a user-defined measuring screen or output the value via the current output.
▶ Mathematical function assignment view		Overview of the configured functions

Redundancy

Use this function to monitor two or three sensors with redundant measurements. The arithmetic average of the two closest measured values is calculated and output as the redundancy value.

Menu/Setup/Additional functions/Mathematical functions/MF1 to 8/Mode = Redundancy		
Function	Options	Info
Calculation	Selection <ul style="list-style-type: none"> ▪ Off ▪ On Factory setting Off	On/off switch for the function
Y1	The options depend on the sensors connected	You can select a maximum of 3 different types of sensor that output the same measured value. Example for temperature redundancy You have a pH sensor and an oxygen sensor at inputs 1 and 2. Select the pH sensor as Y1 and the oxygen sensor as Y2 . Measured value: Select Temperature in each case.
Measured value		
Y2		
Measured value		
Y3 (optional)		
Measured value		
Deviation control	Selection <ul style="list-style-type: none"> ▪ Off ▪ On Factory setting Off	You can monitor the redundancy. Specify an absolute limit value that must not be exceeded.
Deviation limit	Depends on the selected measured value	
Redundancy	Read only	View this value in a user-defined measuring screen or output the value via the current output.
▶ Mathematical function assignment view		Overview of the configured functions

rH value

To calculate the rH value, a pH sensor and an ORP sensor must be connected. It is irrelevant whether you are using a pH glass sensor, an ISFET sensor or the pH electrode of an ISE sensor.

Instead of the mathematical functions, you can also connect a combined pH/ORP sensor.

- ▶ Set the main measured value simply to rH.

Menu/Setup/Additional functions/Mathematical functions/MF1 to 8/Mode = rH calculation		
Function	Options	Info
Calculation	Selection <ul style="list-style-type: none"> ▪ Off ▪ On Factory setting Off	On/off switch for the function
pH source	Connected pH sensor	Set the input for the pH sensor and the input for the ORP sensor. Measured value querying is obsolete – you must select pH or ORP mV.
ORP source	Connected ORP sensor	
Calculated rH	Read only	View this value in a user-defined measuring screen or output the value via the current output.
▶ Mathematical function assignment view		Overview of the configured functions

Degassed conductivity

Carbon dioxide from the air can be a contributing factor to the conductivity of a medium. The degassed conductivity is the conductivity of the medium excluding the conductivity caused by carbon dioxide.

Advantages of using degassed conductivity taking the example of a power station:

- The conductivity caused by corrosion products or contamination in the feed water is determined as soon as the turbines are started. The system excludes the initially high conductivity values resulting from the ingress of air.
- If carbon dioxide is regarded as non-corrosive, the live steam can be directed to the turbine far earlier during startup.
- If the conductivity value increases during normal operation, it is possible to immediately determine an ingress of coolant or air by calculating the degassed conductivity.

Menu/Setup/Additional functions/Mathematical functions/MF1 to 8/Mode = Degassed conductivity		
Function	Options	Info
Calculation	Selection <ul style="list-style-type: none"> ▪ Off ▪ On Factory setting Off	On/off switch for the function
Cation conductivity	Connected conductivity sensor	Cation conductivity represents the sensor downstream from the cation exchanger and upstream from the "degassing module", Degassed conductivity represents the sensor at the outlet of the degassing module. Measured value querying is obsolete – you can only select conductivity.
Degassed conductivity	Connected conductivity sensor	
CO2 concentration	Read only	View this value in a user-defined measuring screen or output the value via the current output.
▶ Mathematical function assignment view		Overview of the configured functions

Dual conductivity

You can subtract two conductivity values and use the result to monitor the efficiency of an ion exchanger, for example.

Menu/Setup/Additional functions/Mathematical functions/MF1 to 8/Mode = Dual conductivity		
Function	Options	Info
Calculation	Selection <ul style="list-style-type: none"> ■ Off ■ On Factory setting Off	On/off switch for the function
Inlet	The options depend on the sensors connected	Select the sensors that should act as the minuend (Inlet , e.g. sensor upstream of the ion exchanger) or subtrahend (Outlet , e.g. sensor downstream of the ion exchanger).
Measured value		
Outlet		
Measured value		
Main value format	Selection <ul style="list-style-type: none"> ■ Auto ■ # ■ #.# ■ #.## ■ #.### Factory setting Auto	Specify the number of decimal places.
Cond. unit	Selection <ul style="list-style-type: none"> ■ Auto ■ $\mu\text{S}/\text{cm}$ ■ mS/cm ■ S/cm ■ $\mu\text{S}/\text{m}$ ■ mS/m ■ S/m Factory setting Auto	
Dual conductivity	Read only	View this value in a user-defined measuring screen or output the value via the current output.
► Mathematical function assignment view		Overview of the configured functions

Calculated pH value

The pH value can be calculated from the measured values of two conductivity sensors under certain conditions. Areas of application include power stations, steam generators and boiler feedwater.

Menu/Setup/Additional functions/Mathematical functions/MF1 to 8/Mode = pH calculation from conductivity		
Function	Options	Info
Calculation	Selection <ul style="list-style-type: none"> ▪ Off ▪ On Factory setting Off	On/off switch for the function
Method	Selection <ul style="list-style-type: none"> ▪ NaOH ▪ NH3 ▪ LiOH Factory setting NaOH	The calculation is performed on the basis of Guideline VGB-R-450L of the Technical Association of Large Power Plant Operators (Verband der Großkesselbetreiber, (VGB)). NaOH $\text{pH} = 11 + \log \{(\kappa_v - 1/3 \kappa_h)/273\}$ NH3 $\text{pH} = 11 + \log \{(\kappa_v - 1/3 \kappa_h)/243\}$ LiOH $\text{pH} = 11 + \log \{(\kappa_v - 1/3 \kappa_h)/228\}$ κ_v ... Inlet ... direct conductivity κ_h ... Outlet ... acid conductivity
Inlet	The options depend on the sensors connected	Inlet Sensor upstream from the cation exchanger, "direct conductivity"
Measured value		
Outlet		Outlet Sensor downstream from the cation exchanger, "acid conductivity"
Measured value		Selection of the measured value is obsolete as it must always be Conductivity .
Calculated pH	Read only	View this value in a user-defined measuring screen or output the value via the current output.
► Mathematical function assignment view		Overview of the configured functions

Combined chlorine


This function calculates the concentration of combined chlorine in the medium. This calculation involves subtracting the free chlorine concentration from the total chlorine

concentration. This requires both a sensor for free chlorine CCS51E and a sensor for total chlorine CCS53E.

Menu/Setup/Additional functions/Mathematical functions/MF1 to 8/Mode /Combined chlorine		
Function	Options	Info
Calculation	Selection <ul style="list-style-type: none"> ■ Off ■ On Factory setting Off	On/off switch for the function
Free chlorine	Selection Channels to which a sensor for free chlorine is connected Factory setting ---	
Total chlorine	Selection Channels to which a sensor for total chlorine is connected Factory setting ---	
Unit	Selection <ul style="list-style-type: none"> ■ mg/l ■ µg/l ■ ppm ■ ppb Factory setting mg/l	
Format	Selection <ul style="list-style-type: none"> ■ #.### ■ #.## ■ #.# ■ # Factory setting #.###	Specify the number of decimal places.
Combined chlorine	Read only	Current, calculated value
► Mathematical function assignment view		Overview of the configured functions

Formula (optional, with activation code)

With the formula editor, it is possible to calculate a new value from a maximum of 3 measured values. A wide range of mathematical and logical (Boolean) operations are available for this purpose.

 The Liquiline firmware offers you a powerful mathematics tool with the formula editor. You are responsible for the feasibility of your formula, and therefore for the feasibility of the result.

Symbol	Operation	Type of operands	Type of result	Example
+	Addition	Numerical	Numerical	A+2
-	Subtraction	Numerical	Numerical	100-B
*	Multiplication	Numerical	Numerical	A*C
/	Division	Numerical	Numerical	B/100
^	Power	Numerical	Numerical	A^5
²	Square	Numerical	Numerical	A²

Symbol	Operation	Type of operands	Type of result	Example
³	Cube	Numerical	Numerical	B ³
SIN	Sine	Numerical	Numerical	SIN(A)
COS	Cosine	Numerical	Numerical	COS(B)
EXP	Exponential function e ^x	Numerical	Numerical	EXP(A)
LN	Natural logarithm	Numerical	Numerical	LN(B)
LOG	Decadic logarithm	Numerical	Numerical	LOG(A)
MAX	Maximum of two values	Numerical	Numerical	MAX(A,B)
MIN	Minimum of two values	Numerical	Numerical	MIN(20,B)
MOD	Division with remainder	Numerical	Numerical	MOD (10,3)
ABS	Absolute value	Numerical	Numerical	ABS(C)
NUM	Boolean → numerical conversion	Boolean	Numerical	NUM(A)
=	Equals	Boolean	Boolean	A=B
<>	Not equal to	Boolean	Boolean	A<>B
>	Greater than	Numerical	Boolean	B>5.6
<	Less than	Numerical	Boolean	A<C
OR	Disjunction	Boolean	Boolean	B OR C
AND	Conjunction	Boolean	Boolean	A AND B
XOR	Exclusive disjunction	Boolean	Boolean	B XOR C
NOT	Negation	Boolean	Boolean	NOT A

Menu/Setup/Additional functions/Mathematical functions/MF1 to 8/Mode = Formula		
Function	Options	Info
Calculation	Selection ■ Off ■ On Factory setting Off	On/off switch for the function
Source A ... C	Selection Select source Factory setting None	You can use all the sensor inputs, binary and analog inputs, mathematical functions, limit switches, time switches, fieldbus signals, controllers and datasets for measuring range switching as the source for measured values.
Measured value	Selection Depends on the source	<ol style="list-style-type: none"> 1. Choose a maximum of three sources (A, B and C) for measured values.
A ... C	The current measured value is displayed	<ol style="list-style-type: none"> 2. For each source, choose the measured value to be calculated. <ul style="list-style-type: none"> ↳ All available signals - depending on the selected source - are possible measured values. 3. Enter the formula. 4. Switch on the calculation. <ul style="list-style-type: none"> ↳ The current measured values A, B and C as well as the result of the calculation using the formula are displayed.

Menu/Setup/Additional functions/Mathematical functions/MF1 to 8/Mode = Formula		
Function	Options	Info
Formula	User-defined text	Table → ⓘ 122 ⓘ Make sure the exact notation is used (upper case). Blank spaces before and after mathematical characters are irrelevant. Note the operator precedence, i.e. multiplication and division take precedence over addition and subtraction. Use parentheses if necessary.
Result unit	User-defined text	You may enter a unit for the calculated value if desired.
Result format	Selection <ul style="list-style-type: none"> ■ # ■ #.# ■ #.## ■ #.### ■ #.#### Factory setting #.##	Select the number of decimal places.
Result numeric	Read only	Current, calculated value
▶ Mathematical function assignment view		Overview of the configured functions

Example: 2-point chlorine regulator with volume flow monitoring

A relay output activates a dosing pump. The pump should switch on when the following 3 conditions are met:

- (1) There is flow
- (2) The volume flow is above a defined value
- (3) The concentration of chlorine drops below a defined value

1. Connect a binary input signal from an "INS" point level switch of the CCA250 assembly to the DIO module.
2. Connect an analog input signal of a volume flow meter to the AI module.
3. Connect the chlorine sensor.
4. Configure the **Formula** mathematical function: **Source A** = binary input DIO, **Source B** = current input AI, **Source C** = input **Disinfection**.
 ↳ Formula:
A AND (B > 3) AND (C < 0.9)
 (where 3 is the lower limit value of the volume flow and 0.9 is the lower limit value of the chlorine concentration)
5. Configure the relay output with the **Formula** mathematical function and connect the dosing pump to the corresponding relay.

The pump is switched on if all 3 conditions are met. If one of the conditions is no longer met, the pump is switched off again.

ⓘ Instead of outputting the result of the formula directly to a relay, you can also connect a limit switch in between in order to attenuate the output signal via a switch-on and switch-off delay.

Example: Load-based control

The load – i.e. the product of the concentration and volume flow – is needed for the dosage of precipitants, for instance.

1. Connect the input signal of a phosphate analyzer to the AI module.
2. Connect an analog input signal of a volume flow meter to the AI module.

3. Configure the **Formula** mathematical function: **Source A** = input signal phosphate and **Source B** = input signal volume flow.
 - ↳ Formula:
 $A * B * x$
 (where x is an application-specific proportionality factor)
4. Select this formula as the source e.g. of the current output or of a modulated binary output.
5. Connect the valve or pump.

10.8.6 Diagnostic modules

Here you can configure a maximum of 8 individual diagnostic messages.

A diagnostic module has the following properties:

- The feed source can be configured like a binary output (relay, digital output).
- You can choose whether the diagnostic message should be output at a high level or low level.
- You decide which error category (Namur class) should be assigned to the message.
- You can define a customized text to be output as the diagnostic message text.

In addition you can switch off the factory diagnostic code for limit switches. This allows you to:

- Use the limit switch on a purely functional basis (without a message)
- Configure application-specific message texts
- Control diagnostic modules directly by a digital signal or via a limit switch output (enables the use of switch-on/switch-off delay, for example).

Menu/Setup/Additional functions/Diagnostic modules		
Function	Options	Info
▶ Diagnostic module 1 (961) ... 8 (968)		
Source of data	Selection <ul style="list-style-type: none"> ▪ None ▪ Fieldbus signals ▪ Binary inputs ▪ Limit switch Factory setting None	Specify the input which should be the source of data for the diagnostic message.
Measured value	Selection Depends on Source of data Factory setting None	Specify the measured value that should trigger the diagnostic message. You can use different measured values depending on the data source.
Active low	Selection <ul style="list-style-type: none"> ▪ Off ▪ On Factory setting On	On: The output value is equal to the inverse output value.
Short text	User-defined text	Give the diagnostic message a name.
▶ Diagnostic module assignment view		Shows an overview of the diagnostic modules used.

11 Diagnostics and troubleshooting

11.1 General troubleshooting


The analyzer continuously monitors its functions itself.

If a diagnostic message occurs, the display alternates between the diagnostic message and the measured value in the measuring mode.

The color of the display background changes to red if a diagnostic message for error category "F" occurs.

11.1.1 Troubleshooting

A diagnostic message appears on the display or via the fieldbus, measured values are not plausible, or you identify a fault.

1. See the Diagnostics menu for details on the diagnostic message.
 - ↳ Follow the instructions to rectify the problem.
2. If this does not help, search for the diagnostic message under "Overview of diagnostic information" in these Operating Instructions. Use the message number as a search criterion. Ignore the letters indicating the NAMUR error category.
 - ↳ Follow the troubleshooting instructions provided in the last column of the error tables.
3. If the measured values are implausible, the local display is faulty or you encounter other problems, search for the faults under "Process errors without messages" (→ Operating Instructions Memosens, BA01245C) or "Device-specific errors" (→  130).
 - ↳ Follow the recommended measures.
4. Contact the Service Department if you cannot rectify the error yourself, citing only the error number.

11.1.2 Process errors without messages

 Operating Instructions "Memosens", BA01245C

11.1.3 Device-specific faults

Problem	Possible cause	Tests and/or remedial measures
Dark display	No supply voltage	▶ Check if supply voltage applied.
	Base module defective	▶ Replace base module
Values appear on display but: ▪ Display does not change and/or ▪ Device cannot be operated	Module not wired correctly	▶ Check modules and wiring.
	Impermissible operating system condition	▶ Switch off device and switch it on again.
Implausible measured values	Inputs defective	▶ First perform tests and take measures as outlined in "Process-specific errors" section. Measuring input test: ▶ Connect the Memocheck Sim CYPO3D to the input and use it to check the function of the input.
	Calibration/adjustment failed	▶ Repeat calibration

Problem	Possible cause	Tests and/or remedial measures
	No reagents/sample	<ol style="list-style-type: none"> 1. Check levels 2. Check the hoses of the reagents 3. Check sample (only if self-priming) 4. Check all connectors and tighten if necessary.
	Cuvette dirty	<ol style="list-style-type: none"> 1. Perform calibration with zero standard 2. Clean using manual cleaning routine, then repeat calibration with zero standard
	Incorrect reagent	► Check the configured measuring parameter and the reagents used
	Incorrect concentration of the standard solution	Check the concentration setting for the standard solution
	Reagents have passed their shelf life	
	Incorrect hose system	► Check the hose system using the hose routing diagram (see "Commissioning" section).
Measurement/calibration does not start	Action still active	
	Appropriate bottles not used	► Check status
	No sample available	Level detection (only for devices with sample collecting vessel)
	Device is in the fieldbus mode; no manual actions are possible	
	Dispenser run times have elapsed	
Calibration has failed	Stability criterion was not met	<ol style="list-style-type: none"> 1. Check the configuration and perform manual calibration again 2. Check the hoses of the reagents
Current output, incorrect current value	Incorrect adjustment	► Check with integrated current simulation, connect mA meter directly to current output.
	Load too large	
	Shunt/short to ground in current loop	
No current output signal	Base module defective	► Check with integrated current simulation, connect mA meter directly to current output.

11.2 Diagnostic information on local display

Up-to-date diagnostic events are displayed along with their status category, diagnostic code and short text. Clicking on the navigator lets you retrieve more information and tips on remedial measures.

11.3 Diagnostic information via web browser

The same diagnostic information that is available for the local display is available via the web server.

11.4 Diagnostic information via fieldbus

Diagnostic events, status signals and more information are transmitted according to the definitions and technical capability of the respective fieldbus systems.


11.5 Adapting the diagnostic information

11.5.1 Classification of diagnostic messages

In the **DIAG/Diagnostics list** menu, you can find more detailed information on the current diagnostic messages displayed.

In accordance with NAMUR specification NE 107, the diagnostic messages are characterized by:

- Message number
- Error category (letter in front of the message number)
 - **F** = (Failure) a malfunction has been detected
The measured value of the affected channel is no longer reliable. The cause of the malfunction is to be found in the measuring point. Any controller connected should be set to manual mode.
 - **C** = (Function check), (no error)
Maintenance work is being performed on the device. Wait until the work has been completed.
 - **S** = (Out of specification), the measuring point is being operated outside its specification
Operation is still possible. However, you run the risk of increased wear, a shorter operating life or lower accuracy levels. The cause of the problem is to be found outside the measuring point.
 - **M** = Maintenance required. Action must be taken as soon as possible
The device still measures correctly. Immediate measures are not necessary. However, proper maintenance efforts would prevent a possible malfunction in the future.
- Message text

 If you contact the Service Department, please cite the message number only. Since you can individually change the assignment of an error to an error category, the Service Department cannot use this information.

11.5.2 Adapting the diagnostic behavior

All the diagnostic messages are assigned to specific error categories at the factory. Since other settings might be preferred depending on the application, error categories and the effect errors have on the measuring point can be configured individually. Furthermore, every diagnostic message can be disabled.


Example

Diagnostic message 531 **Logbook full** appears on the display. You want to change this message so that an error is not shown on the display for example.

1. For analyzer-specific diagnostic messages, select **Menu/Setup/Analyzer/Extended setup/Diagnostics settings/Diag. behavior** and for sensor-related messages, select **Menu/Setup/Inputs/<Sensor>/Extended setup/Diagnostics settings/Diag. behavior**.
2. Select the diagnostics message and press the navigator button.
3. Decide: (a) Should the message be deactivated? (**Diagnostics message = Off**)
(b) Do you want to change the error category? (**Status signal**)
(c) Should an error current be output? (**Failure current = On**)
(d) Do you want to trigger a cleaning program? (**Cleaning program**)
4. Example: You deactivate the message.
 - ↳ The message is no longer displayed. In the **DIAG** menu, the message appears as **Past message**.

Possible settings

The list of diagnostic messages displayed depends on the path selected. There are device-specific messages, and messages that depend on what sensor is connected.

Menu/Setup/Run the ../Extended setup/Diagnostics settings/Diag. behavior		
Function	Options	Info
List of diagnostic messages		<p>► Select the message to be changed.</p> <p>Only then can you make the settings for this message.</p>
Diag. code	Read only	
Diagnostic message	<p>Selection</p> <ul style="list-style-type: none"> ▪ Off ▪ On <p>Factory setting Depends on the Diag. code</p>	<p>You can deactivate or reactivate a diagnostic message here.</p> <p>Deactivating means:</p> <ul style="list-style-type: none"> ▪ No error message in the measuring mode ▪ No error current at the current output
Failure current	<p>Selection</p> <ul style="list-style-type: none"> ▪ Off ▪ On <p>Factory setting Depends on the Diag. code</p>	<p>Decide whether an error current should be output at the current output if the diagnostic message display is activated.</p> <p>In the event of general device errors, the error current is switched to all the current outputs. In the event of channel-specific errors, the error current is only switched to the current output in question.</p>
Status signal	<p>Selection</p> <ul style="list-style-type: none"> ▪ Maintenance (M) ▪ Out of specification (S) ▪ Function check (C) ▪ Failure (F) <p>Factory setting Depends on the Diag. code</p>	<p>The messages are divided into different error categories in accordance with NAMUR NE 107. Decide whether you want to change a status signal assignment for your application.</p>
Diag. output	<p>Selection</p> <ul style="list-style-type: none"> ▪ None ▪ Binary outputs ▪ Alarm relay ▪ Relay 1 to n (depends on the device version) <p>Factory setting None</p>	<p>You can use this function to select an output to which the diagnostic message should be assigned.</p> <p> An alarm relay is always available, regardless of the device version. Other relays are optional.</p> <p>For sensors with the Memosens protocol: Before you can assign the message to an output: Configure one of the output types mentioned as follows: Menu/Setup/Outputs/(Alarm relay or Binary output or relay)/Function = Diagnostics and Operating mode = as assigned.</p>
Cleaning program	<p>Selection</p> <ul style="list-style-type: none"> ▪ None ▪ Cleaning 1 ... 4 <p>Factory setting None</p>	<p>Decide whether the diagnostic message should trigger a cleaning program.</p> <p>You can define cleaning programs under: Menu/Setup/Additional functions/Cleaning.</p>
► Detail information	Read only	Here you can find more information on the diagnostic message and instructions on how to resolve the problem.

11.6 Overview of diagnostic information

11.6.1 Device-specific, general diagnostic messages

No.	Message	Factory settings			Tests or remedial action
		S ¹⁾	D ²⁾	F ³⁾	
202	Selftest active	F	On	Off	Wait for self-test to be finished
216	Hold active	C	On	Off	Output values and status of the channel are on hold
241	Firmware failure	F	On	On	Internal device error <ol style="list-style-type: none"> 1. Update the software. 2. Contact Endress+Hauser Service. 3. Replace the backplane (Endress+Hauser Service).
242	Firmware incomp.	F	On	On	
243	Firmware failure	F	On	On	
261	Electronics module	F	On	On	Electronics module defective <ol style="list-style-type: none"> 1. Replace the module. 2. Contact Endress+Hauser Service.
262	Module connection	F	On	On	Electronics module not communicating <ol style="list-style-type: none"> 1. Check the module , replace it if necessary. 2. Contact Endress+Hauser Service.
263	Incomp. detected	F	On	On	Wrong type of electronics module <ol style="list-style-type: none"> 1. Replace the module. 2. Contact Endress+Hauser Service.
284	Firmware update	M	On	Off	Update completed successfully
285	Update error	F	On	On	Firmware update failed <ol style="list-style-type: none"> 1. Repeat. 2. SD card error → use another card. 3. Incorrect firmware → repeat with suitable firmware. 4. Contact Endress+Hauser Service.
302	Battery low	M	On	Off	Buffer battery of real time clock is low The date and time are lost if the power is interrupted. <ul style="list-style-type: none"> ▶ Contact Endress+Hauser Service (battery replacement).
304	Module data	F	On	On	At least 1 module has incorrect configuration data <ol style="list-style-type: none"> 1. Check the system information. 2. Contact Endress+Hauser Service.
305	Power consumption	F	On	On	Total power consumption too high <ol style="list-style-type: none"> 1. Check installation. 2. Remove sensors/modules.
306	Software error	F	On	On	Internal firmware error <ul style="list-style-type: none"> ▶ Contact Endress+Hauser Service.
335	Fan	F	On	On	Fan defective <ol style="list-style-type: none"> 1. Replace the fan. 2. Contact Endress+Hauser Service.

No.	Message	Factory settings			Tests or remedial action
		S ¹⁾	D ²⁾	F ³⁾	
337	Pump hose warning	M	On	Off	End of pump tube service life will be reached shortly Display under Menu/Diagnostics/Operating time information/Pump tube life 1. Schedule replacement. 2. After replacing, reset the operating time under Menu/Diagnostics/Operating time information .
360	Cooling/Heating	C	On	Off	Temperature range in the housing exceeded 1. Check installation conditions and the ambient temperature 2. Replace the actuator module. 3. Contact Endress+Hauser Service.
361	Cooling/Heating	F	On	On	Cooling/heating module defective Defined temperature range not reached. This could affect the functionality of the reagents. 1. Check whether the insulation cap is seated correctly over the reagents. 2. Replace cooling/heating module. 3. Contact Endress+Hauser Service.
362	Photometer temp.	F	On	Off	Temperature of the photometer too high ► Contact Endress+Hauser Service.
363	Photometer temp.	F	On	Off	Temperature of the photometer too low ► Contact Endress+Hauser Service.
364	Timeout dosing	F	On	On	The Liquid Manager/dosing dispenser has timed out. Possible reasons: ▪ Photoelectric barrier defective ▪ Blocking ► Contact Endress+Hauser Service.
365	Photometer comm.	F	On	On	Photometer not communicating Possible reasons: Incorrect photometer connection 1. Check photometer connection. 2. Contact Endress+Hauser Service.
367	Module connect.	F	On	On	No communication to sample preparation ► Check the connecting cable to the sample preparation system.
370	Internal voltage	F	On	On	Internal voltage outside the valid range 1. Check supply voltage. 2. Check inputs and outputs for short-circuiting.
373	Electronic temp. high	M	On	Off	High electronics temperature ► Check ambient temperature and energy consumption.
374	Sensor check	F	On	Off	No measurement signal from sensor 1. Check sensor connection. 2. Check the sensor, replace it if necessary.

No.	Message	Factory settings			Tests or remedial action
		S ¹⁾	D ²⁾	F ³⁾	
380	Temperature sensor	F	On	On	Temperature sensor defective in reactor, cuvette or sample pre-heating system ► Contact the Endress+Hauser Service Department and quote the number displayed.
381	Valve malfunction	F	On	On	Indicated valve is defective ► Contact the Endress+Hauser Service Department and quote the number displayed.
385	Heating temp. low	S	On	Off	Sample pre-heating target temperature not reached 1. Check fuse. 2. Check cable and connector.
386	Heating temp. high	S	On	Off	Temperature of sample pre-heating too high 1. Monitor the temperature of the sample. 2. Disconnect the power supply if the sample temperature does not drop.
401	Factory reset	F	On	On	Factory reset is performed
405	Service IP active	C	Off	Off	Endress+Hauser Service switch is switched on The device can be addressed at 192.168.1.212. ► Switch off the service switch to change to the saved IP settings.
412	Writing backup	F	On	Off	► Wait for the write process to be finished
413	Reading backup	F	On	Off	► Wait.
436	SD card (80%)	M	On	Off	SD card 80% full 1. Replace SD card with empty card. 2. Clear SD card. 3. Set logbook properties to ring buffer (Setup/General settings/Logbooks).
437	SD card (100%)	M	On	Off	SD card 100% full. No longer possible to write to the card. 1. Replace SD card with empty card. 2. Clear SD card. 3. Set logbook properties to ring buffer (Setup/General settings/Logbooks).
438	SD card removed	M	On	Off	SD card not plugged in 1. Check SD card. 2. Replace SD card. 3. Disable logging.
455	Mathemat. function	F	On	On	Mathematical function: fault condition 1. Check mathematical function. 2. Check assigned input variables.
460	Output below limit	S	On	Off	Reasons ▪ Sensor in air ▪ Air pockets in assembly ▪ Sensor fouled ▪ Incorrect flow to sensor 1. Check sensor installation. 2. Clean the sensor. 3. Change assignment of current outputs.
461	Output above limit	S	On	Off	
502	No text catalog	F	On	On	► Contact Endress+Hauser Service.

No.	Message	Factory settings			Tests or remedial action
		S ¹⁾	D ²⁾	F ³⁾	
503	Language change	M	On	Off	Language change failed ► Contact Endress+Hauser Service.
529	Diag. setup active	C	Off	Off	► Wait for maintenance to be finished.
530	Logbook at 80%	M	On	Off	<ol style="list-style-type: none"> 1. Save the logbook to the SD card and then delete the logbook in the device. 2. Set memory to circular buffer. 3. Deactivate logbook.
531	Logbook full	M	On	Off	
532	License error	M	On	Off	► Contact Endress+Hauser Service.
540	Parameter save fail	M	On	Off	Storage of configuration has failed ► Repeat.
541	Parameter load ok	M	On	Off	Configuration successfully loaded
542	Parameter load fail	M	On	Off	Loading of configuration has failed ► Repeat.
543	Parameter load abort	M	On	Off	Configuration loading aborted
544	Parameter reset ok	M	On	Off	Factory default successful
545	Parameter reset fail	M	On	Off	Setting of device configuration to factory setting has failed
583	SD card write protected	M	On	Off	SD card write-protected. Not possible to write to the card. <ol style="list-style-type: none"> 1. Remove the write protection from the SD card. 2. Replace the SD card with an SD card that does not have write protection. 3. Set logbook properties to ring buffer (Setup/General settings/Logbooks).
565	Configuration	M	On	Off	Invalid configuration of sample preparation system <ol style="list-style-type: none"> 1. In Setup/Sample preparation, check the number of channels used, their operating mode and type of installation. 2. Check the permitted combinations of sample preparation and analyzers, see the Operating Instructions for the sample preparation system.
714	Filter mats change	M	On	Off	Filter mat change necessary The limit value for operating hours has been exceeded ► Replace the filter mats and reset the operating hours counter in the Diagnostics menu.
715	Calibration expired	M	On	Off	The validity of the last calibration has expired. The date of the last calibration is too far in the past. Measurement can still take place. Possible reasons: Manual intervention has prevented automatic calibration <ol style="list-style-type: none"> 1. Calibrate analyzer manually. 2. Check device configuration.

No.	Message	Factory settings			Tests or remedial action
		S ¹⁾	D ²⁾	F ³⁾	
716	Calibration expired	S	On	Off	<p>Calibration has failed or is not reliable</p> <p>Possible reasons: Stability criteria are not met</p> <ol style="list-style-type: none"> 1. Check the configuration and perform a manual calibration again. 2. Contact Endress+Hauser Service.
717	Photometer defective	F	On	On	<p>Photometer defective</p> <p>Possible reasons:</p> <ul style="list-style-type: none"> ▪ No lamp voltage ▪ No lamp power <p>▶ Contact Endress+Hauser Service.</p>
718	Cuvette covering	M	On	Off	<p>Photometer check</p> <p>High degree of contamination - reliable measurement will not be possible soon</p> <ol style="list-style-type: none"> 1. Clean analyzer manually. 2. Contact Endress+Hauser Service.
719	Cuvette covering	F	On	Off	<p>Photometer check buildup, high degree of contamination - measurement no longer possible</p> <ol style="list-style-type: none"> 1. Start cleaning. 2. Contact Endress+Hauser Service.
726	Liquids warning	M	On	Off	<p>Consumable liquids, warning Measurement can still take place.</p> <p>Possible reasons</p> <ul style="list-style-type: none"> ▪ The level of one or more liquids is low ▪ One or more liquids almost past their shelf life. <p>▶ Top up/replace the liquids in question and reset the counter in Diagnostics/Operating time information.</p>
727	Liquids alarm	F	On	Off	<p>Consumable liquids, alarm Measurement can still take place.</p> <p>Possible reasons</p> <ul style="list-style-type: none"> ▪ The level of one or more liquids is low ▪ One or more liquids past their shelf life. <p>▶ Top up/replace the liquids in question and reset the counter in Diagnostics/Operating time information.</p>
729	Filter candle change	M	On	Off	<ul style="list-style-type: none"> ▪ Filter cartridge needs replacement ▪ The limit value for operating hours has been exceeded <p>▶ Replace the filter cartridge for the sample preparation system and reset the operating hours counter in the Diagnostics menu.</p>
730	Cleaning solution	M	On	Off	<ul style="list-style-type: none"> ▪ Level warning for cleaner of sample preparation system ▪ Depending on the duration of cleaning, the cleaning interval and external events, the remaining quantity is sufficient for a few hours or days <ol style="list-style-type: none"> 1. Top up cleaner for the sample preparation system. 2. Check the level switch for the cleaning solution.

No.	Message	Factory settings			Tests or remedial action
		S ¹⁾	D ²⁾	F ³⁾	
731	Leakage detected	F	On	Off	Leak detected in the sample preparation system or analyzer <ol style="list-style-type: none"> 1. Check hoses and connections. 2. Check solenoid valves. 3. Check leak sensor. 4. Check the free outlet on the analyzer. 5. Replace defective parts and, if necessary, reset the operating hours counters in the Diagnostics menu.
732	Wear parts alarm	F	On	On	One or more wear parts has exceeded its service life. <ul style="list-style-type: none"> ▶ Replace the wear parts in question and reset the counter in Diagnostics/Operating time information.
733	Wear parts warning	M	On	Off	One or more wear parts has almost reached the end of its service life. <ul style="list-style-type: none"> ▶ Replace the wear parts in question and reset the counter in Diagnostics/Operating time information.
910	Limit switch	S	On	Off	Limit switch activated
930	No sample	F	On	On	Sample flow interrupted during intake <ul style="list-style-type: none"> ▪ Suction line blocked or leaking ▪ No inflow of sample <ol style="list-style-type: none"> 1. Check the suction line and suction strainer. 2. Check inflow of sample.
931	Sampling time	M	On	Off	Standard pumping time exceeded <ul style="list-style-type: none"> ▪ Filter cartridge clogged ▪ Sample line partially blocked <ol style="list-style-type: none"> 1. Clean the filter cartridge. 2. Clean the sample line. 3. Replace the filter or sample line.
936	Temp. range exceeded	S	On	Off	Outside temperature for sample preparation system outside the specification <ol style="list-style-type: none"> 1. Check application. 2. Check temperature sensor. 3. Check the configuration of the temperature sensor, sample preparation system and the heating.
937	Controlled variable	S	On	Off	Controller input warning Status of the controller variable is not OK <ul style="list-style-type: none"> ▶ Check application.
938	Controller setpoint	S	On	Off	Controller input warning Status of set point is not OK <ul style="list-style-type: none"> ▶ Check application.
939	Control. disturbance	S	On	Off	Controller input warning Status of disturbance variable is not OK <ul style="list-style-type: none"> ▶ Check application.
940	Process value	S	On	Off	Measured value out of specification Uncertain measured value. <ol style="list-style-type: none"> 1. Change the measuring range. 2. Calibrate the system.

No.	Message	Factory settings			Tests or remedial action
		S ¹⁾	D ²⁾	F ³⁾	
941	Process value	F	On	On	Measured value out of specification Invalid measured value. <ol style="list-style-type: none">1. Change the measuring range.2. Calibrate the system.
951 - 958	Hold active CH1 ..	C	On	Off	Output values and status of the channels are on hold. ► Wait until the hold is deactivated.
961 - 968	Diagnostic module 1 (961) ... Diagnostic module 8 (968)	S	Off	Off	Diagnostic module is enabled
969	Modbus Watchdog	S	Off	Off	The device did not receive a Modbus telegram from the master within the specified time. The status of received Modbus process values is set to invalid
970	Curr. input overload	S	On	On	Current input overloaded The current input is switched off at 23 mA and above due to overload and reactivated automatically when a normal load is present.
971	Current Input low	S	On	On	Current input too low At 4 to 20 mA, the input current is less than the lower fault current. ► Check the input for short-circuit.
972	Curr. input > 20 mA	S	On	On	Output current above current output range
973	Current Input < 4 mA	S	On	On	Output current below current output range
974	Diagnostics confirm.	C	Off	Off	User has acknowledged the message displayed in the measuring menu.
975	Device restart	C	Off	Off	Device reset
976	PFM/PWM value high	S	On	Off	Pulse frequency modulation: Measured value above/below the specified output signal range. <ul style="list-style-type: none"> ■ Sensor in air ■ Air pockets in assembly ■ Incorrect flow to sensor ■ Sensor fouled <ol style="list-style-type: none">1. Clean the sensor2. Check plausibility.3. Adjust the PFM configuration.
977	PFM/PWM value low	S	On	Off	
978	Chemoclean Failsafe	S	On	On	No feedback signal detected within the configured period. <ol style="list-style-type: none">1. Check application.2. Check wiring.3. Extend the duration.4. Carry out active reset of Failsafe. Path: Menu/Setup/Additional functions/Cleaning Cleaning x/Stop failsafe
990	Deviation limit	F	On	On	Redundancy: Percentage deviation value above limit value
991	CO ₂ conc. range	F	On	On	CO ₂ concentration (degassed conductivity) outside the measuring range
992	pH calculation range	F	On	On	pH calculation outside the measuring range

No.	Message	Factory settings			Tests or remedial action
		S ¹⁾	D ²⁾	F ³⁾	
993	rH calculation range	F	On	On	rH calculation outside the measuring range
994	Difference conduct.	F	On	On	Dual conductivity outside the measuring range

- 1) **Status signal**
- 2) **Diagnostic message**
- 3) **Failure current**

11.6.2 Sensor-specific diagnostic messages

 Operating Instructions "Memosens", BA01245C

11.7 Queued diagnostic messages

The Diagnostics menu contains all the information on the device status. Furthermore, various service functions are available.

The following messages are directly displayed every time you enter the menu:

- Most important message
Diagnostic message recorded with the highest criticality level
- Past message
Diagnostic message whose cause is no longer present.

All the other functions in the Diagnostics menu are described in the following chapters.

11.8 Diagnostics list

All the current diagnostic messages are listed here.

A time stamp is available for each message. Furthermore, the user also sees the configuration and description of the message as saved in **Menu/Setup/General settings/Extended setup/Diagnostics settings/Diag. behavior**.

11.9 Logbooks

11.9.1 Available logbooks

Types of logbooks

- Logbooks physically available (all apart from the overall logbook)
- Database view of all logbooks (= overall logbook)

Logbook	Visible in	Max. entries	Can be disabled ¹⁾	Logbook can be deleted	Entries can be deleted	Can be exported
Overall logbook	All events	20000	Yes	No	Yes	No
Calibration logbook	Calibration events	75	(Yes)	No	Yes	Yes
Operation logbook	Configuration events	250	(Yes)	No	Yes	Yes
Diagnostics logbook	Diagnostic events	10000	(Yes)	No	Yes	Yes
Analyzer event logbook	Analyzer events	19500 ²⁾	No	No	Yes	Yes
Analyzer calibration logbook	Analyzer calibration logbook	250	(Yes)	No	Yes	Yes

Logbook	Visible in	Max. entries	Can be disabled ¹⁾	Logbook can be deleted	Entries can be deleted	Can be exported
Analyzer data logbook	Analyzer data logbooks	20000 ²⁾	No	No	Yes	Yes
Analyzer absorption data logbook	Absorption data logbook	5000	No	No	Yes	Yes
Analyzer raw data logbook	Raw data logbook	5000	No	No	Yes	Yes
Version logbook	All events	50	No	No	No	Yes
Hardware version logbook	All events	125	No	No	No	Yes
Data logbook for sensors (optional)	Data logbooks	150 000	Yes	Yes	Yes	Yes
Debugging logbook	Debug events (only accessible by entering the special service activation code)	1000	Yes	No	Yes	Yes

1) Data in brackets means this depends on the overall logbook

2) Sufficient for 1 year of operation with a normal measuring interval

11.9.2 Logbooks menu

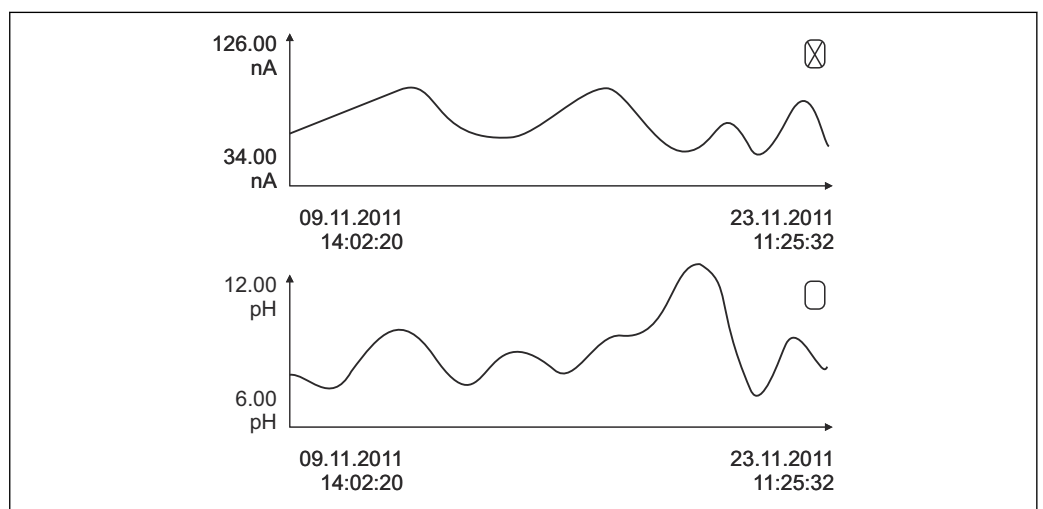
DIAG/Logbooks		
Function	Options	Info
▶ All events		Chronological list of all the logbook entries, with information on the type of event
▶ Show	Events are displayed	Select a particular event to display more detailed information.
▶ Go to date	User entry <ul style="list-style-type: none"> ▪ Go to date ▪ Time 	Use this function to go directly to a specific time in the list. In this way, you avoid having to scroll through all the information. The complete list is always visible, however.
▶ Calibration events		Chronological list of the calibration events
▶ Show	Events are displayed	Select a particular event to display more detailed information.
▶ Go to date	User entry <ul style="list-style-type: none"> ▪ Go to date ▪ Time 	Use this function to go directly to a specific time in the list. In this way, you avoid having to scroll through all the information. The complete list is always visible, however.
▷ Delete all entries	Action	You can delete all the calibration logbook entries here.
▶ Configuration events		Chronological list of the configuration events
▶ Show	Events are displayed	Select a particular event to display more detailed information.
▶ Go to date	User entry <ul style="list-style-type: none"> ▪ Go to date ▪ Time 	Use this function to go directly to a specific time in the list. In this way, you avoid having to scroll through all the information. The complete list is always visible, however.
▷ Delete all entries	Action	You can use this to delete all the operation logbook entries.

DIAG/Logbooks		
Function	Options	Info
▶ Diagnostic events		Chronological list of the diagnostics events
▶ Show	Events are displayed	Select a particular event to display more detailed information.
▶ Go to date	User entry <ul style="list-style-type: none"> ▪ Go to date ▪ Time 	Use this function to go directly to a specific time in the list. In this way, you avoid having to scroll through all the information. The complete list is always visible, however.
▷ Delete all entries	Action	You can use this to delete all the diagnostics logbook entries.
▶ Analyzer events		Entries for analyzer events, such as measurement, cleaning and calibration.
▶ Show	Events are displayed	Select a particular event to display more detailed information.
▶ Go to date	User entry <ul style="list-style-type: none"> ▪ Go to date ▪ Time 	Use this function to go directly to a specific time in the list. In this way, you avoid having to scroll through all the information. The complete list is always visible, however.
▷ Delete all entries	Action	You can use this to delete all analyzer event entries.

You can also view your data logbook entries graphically on the display (**Show plot**).

You can also adapt the display to suit your individual requirements:

- Press the navigator button in the graphic display: you are given additional options such as the zoom function and x/y movement of the graph.
- Define the cursor: if you select this option, you can move along the graph with the navigator and view the logbook entry (data stamp/measured value) in text form for every point in the graph.
- Simultaneous display of two logbooks: **Select 2nd plot** and **Show plot**
 - A small cross marks the currently selected graph for which the zoom can be changed or a cursor used, for example.
 - In the context menu (press the navigator button), you can select the other graph. You can then apply the zoom function, a movement or a cursor to this graph.
 - Using the context menu, you can also select both graphs simultaneously. This enables you to use the zoom function on both graphs simultaneously, for example.




80 Simultaneous display of two graphs, the top one is selected

A0016688


DIAG/Logbooks		
Function	Options	Info
▶ Analyzer data logbooks		Data logbooks for the data of the wet-chemical analyzers
▶ Data logbook SP1		In the case of two-channel devices, data logbook SP2 is also displayed
Source of data	Read only	Displays the measuring channel
Measuring parameter	Read only	Displays the measurement parameter recorded
Unit	Read only	Displays the unit
▶ Show	Events are displayed	Select a particular event to display more detailed information.
▶ Go to date	User entry <ul style="list-style-type: none"> ▪ Go to date ▪ Time 	Use this function to go directly to a specific time in the list. In this way, you avoid having to scroll through all the information. The complete list is always visible, however.
▶ Show plot	Graphic display of the logbook entries	The entries are displayed according to your settings in the menu General settings/Logbooks .
Select 2nd plot	Select another data logbook	You can view a second logbook at the same time as the current one.
▷ Delete all entries	Action	You can use this to delete all data logbook entries.
▶ Absorption data logbook		
Curve	Read only	Displays the absorption curve
▶ Show	Events are displayed	Select a particular event to display more detailed information.
▶ Go to date	User entry <ul style="list-style-type: none"> ▪ Go to date ▪ Time 	Use this function to go directly to a specific time in the list. In this way, you avoid having to scroll through all the information. The complete list is always visible, however.
▶ Show plot	Graphic display of the logbook entries	The entries are displayed according to your settings in the menu General settings/Logbooks .
▷ Delete all entries	Action	You can delete all the absorption data logbook entries here.
▶ Raw data logbook		
▶ Show	Events are displayed	Select a particular event to display more detailed information.
▶ Show plot	Graphic display of the logbook entries	The entries are displayed according to your settings in the menu General settings/Logbooks .

DIAG/Logbooks		
Function	Options	Info
▶ Set plotting window range		Here you can specify the start and end times of the logbook entries to be displayed graphically.
Plotter begin	Selection <ul style="list-style-type: none"> ▪ First entry ▪ Date/Time Factory setting First entry	<ul style="list-style-type: none"> ▪ First entry: Defines the first entry saved in the logbook as the start time. ▪ Date/Time: Defines the set date/time as the start time.
Plotter end	Selection <ul style="list-style-type: none"> ▪ Last entry ▪ Date/Time Factory setting Last entry	<ul style="list-style-type: none"> ▪ First entry: Defines the last entry saved in the logbook as the end time. ▪ Date/Time: Defines the set date/time as the end time.
▶ Show plot	Graphic display of the logbook entries	The entries are displayed according to your settings in the menu General settings/Logbooks .
▷ Delete all entries	Action	You can delete all the absorption data logbook entries here.
▶ Data logbooks		Chronological list of the data logbook entries for sensors
Data logbook 1 ... 8 <Logbook name>		This submenu is available for each data logbook that you have set up and activated.
Source of data	Read only	Input or mathematical function is displayed
Measured value	Read only	Measured value being recorded is displayed
Log time left	Read only	Display of days, hours and minutes until logbook is full. ▶ Pay attention to the information on selecting the memory type in the menu General settings/Logbooks .
▶ Show	Events are displayed	Select a particular event to display more detailed information.
▶ Go to date	User entry <ul style="list-style-type: none"> ▪ Go to date ▪ Time 	Use this function to go directly to a specific time in the list. In this way, you avoid having to scroll through all the information. The complete list is always visible, however.
▶ Show plot	Graphic display of the logbook entries	The display is according to your settings in the menu General settings/Logbooks .
Select 2nd plot	Select another data logbook	You can view a second logbook at the same time as the current one.
▷ Delete all entries	Action	You can use this to delete all data logbook entries.
▶ Save logbooks		
File format	Selection <ul style="list-style-type: none"> ▪ CSV ▪ FDM 	<ul style="list-style-type: none"> ▶ Save the logbook in the preferred file format. You can then open the saved CSV file on the PC in MS Excel, for example, and make further edits here. ¹⁾ You can import the FDM files into FieldCare and archive them so that they are tamper-proof.

DIAG/Logbooks		
Function	Options	Info
<ul style="list-style-type: none"> ▷ All data logbooks ▷ Data logbook SP1 ▷ Absorption data logbook ▷ Raw data logbook ▷ Data logbook 1 ... 8 ▷ All event logbooks ▷ Calibration logbook ▷ Diagnostic logbook ▷ Analyzer data logbook ▷ Analyzer event logbook ▷ Analyzer calibration logbook ▷ Configuration logbook ▷ HW version logbook ▷ Version logbook 	Action, commences as soon as the option is selected	<p>Use this function to save the logbook to an SD card.</p> <ul style="list-style-type: none"> ▶ Save the logbook in the preferred file format. You can then open the saved CSV file on the PC in MS-Excel, for example, and edit it. You can import the FDM files into Fieldcare and archive them so they are tamper-proof.
<p> The file name is made up of the Logbook ident (Menu/Setup/General settings/Logbooks), an abbreviation for the particular logbook and a time stamp.</p>		

- 1) CSV files use international number formats and separators. Therefore they must be imported into MS Excel as external data with the correct format settings. If you double-click the file to open it, the data are only displayed correctly if MS Excel is installed with the US country setting.

11.10 System information

DIAG/System information		
Function	Options	Info
Device tag	Read only	Individual device tag → General settings
Order code	Read only	You can order identical hardware with this code. This code changes on account of changes to the hardware and you can enter the new code you received from the manufacturer here ¹⁾ .
<p> To establish the version of your device, enter the order code into the search screen at the following address: www.endress.com/order-ident</p>		
Orig. order code ext.	Read only	Complete order code for the original device, resulting from the product structure.
Current order code ext.	Read only	Current code, taking into account changes to the hardware. You must enter this code yourself.
Serial number	Read only	The serial number allows you to access device data and documentation on the Internet: www.endress.com/device-viewer
Software version	Read only	Current version
Measuring parameter	Read only	Set measuring parameter
MPL version	Read only	Current version
▶ Actuator control module	Read only <ul style="list-style-type: none"> ■ Firmware version ■ Hardware version 	
▶ Photometer	Read only <ul style="list-style-type: none"> ■ Firmware version ■ Hardware version 	

DIAG/System information		
Function	Options	Info
▶ Sample preparation 1 ... 2	Read only <ul style="list-style-type: none"> ▪ SP type ▪ Order code ▪ Serial number ▪ Hardware version ▪ Software version ▪ Orig. order code ext. 	Depends on the type and number of sample preparations
▶ General information	Read only <ul style="list-style-type: none"> ▪ Current status ▪ SP type ▪ Order code ▪ Serial number ▪ Hardware version ▪ Software version ▪ Orig. order code ext. 	This information is provided for every electronics module available. Specify the serial numbers and order codes when servicing, for example.
▶ Modbus <i>Only with the Modbus option</i>	Read only <ul style="list-style-type: none"> ▪ Enable ▪ Bus address ▪ Termination ▪ Modbus TCP Port 502 	Modbus-specific information
▶ PROFIBUS <i>Only with the PROFIBUS option</i>	Read only <ul style="list-style-type: none"> ▪ Termination ▪ Bus address ▪ Ident number ▪ Baudrate ▪ DPVO state ▪ DPVO fault ▪ DPVO master addr ▪ DPVO WDT [ms] 	Module status and other PROFIBUS-specific information
▶ Ethernet <i>Only with the Ethernet, EtherNet/IP, Modbus TCP, Modbus RS485 or PROFIBUS DP or PROFINET option</i>	Read only <ul style="list-style-type: none"> ▪ Enable ▪ Webserver ▪ Link settings ▪ DHCP ▪ IP-Address ▪ Netmask ▪ Gateway ▪ Service switch ▪ MAC-Address ▪ EtherNetIP Port 44818 ▪ Modbus TCP Port 502 ▪ Webserver TCP port 80 	Ethernet-specific information Display depends on the fieldbus protocol used.
▶ SD card	Read only <ul style="list-style-type: none"> ▪ Total ▪ Free memory 	
▶ System modules		
Backplane	Read only <ul style="list-style-type: none"> ▪ Description ▪ Serial number ▪ Order code ▪ Hardware version ▪ Software version 	This information is provided for every electronics module available. Specify the serial numbers and order codes when servicing, for example.
Base		
Display module		
Extension module 1 ... 8		
▶ Sensors	Read only <ul style="list-style-type: none"> ▪ Description ▪ Serial number ▪ Order code ▪ Hardware version ▪ Software version 	This information is provided for every sensor available. Specify the serial numbers and order codes when servicing, for example.

DIAG/System information		
Function	Options	Info
▶ Save system information		
▷ Save to SD card	File name assigned automatically (includes a time stamp)	The information is saved on the SD card in a "sysinfo" subfolder. The csv file can be read and edited in MS Excel, for example. This file can be used when servicing the device.

1) Provided you give the manufacturer all the information about changes to the hardware.

11.11 Sensor information

- ▶ Select the required channel from the list of channels.

Information in the following categories is displayed:

- **Extreme values**

Extreme conditions to which the sensor was previously exposed, e.g. min./max. temperatures ³⁾

- **Operating time**

Operating time of the sensor under defined extreme conditions

- **Calibration information**

Calibration data of the last calibration

Calibration data of the factory calibration ⁴⁾

- **Sensor specifications**

Measuring range limits for main measured value and temperature

- **General information**


Information on sensor identification

The specific data that are displayed depends on what sensor is connected.

11.12 Simulation

You can simulate values at inputs and outputs for testing purposes:

- Current values at current outputs
- Measured values at inputs
- Relay contact opening or closing

 Only current values are simulated. Via the simulation function, it is not possible to calculate the totalized value for the flow or rainfall.

- ▶ Before simulation: Enable the inputs and outputs in the Setup menu.

3) Not available for all sensor types.

4) Not available for all sensor types.

DIAG/Simulation		
Function	Options	Info
▶ Current output x:y		Simulation of an output current This menu appears once for each current output.
Simulation	Selection <ul style="list-style-type: none"> ▪ Off ▪ On Factory setting Off	If you simulate the value at the current output, this is indicated on the display by a simulation icon in front of the current value.
Current	2.4 to 23.0 mA Factory setting 4 mA	▶ Set the desired simulation value.
▶ Alarm relay ▶ Relay x:y		Simulation of a relay state This menu appears once for each relay.
Simulation	Selection <ul style="list-style-type: none"> ▪ Off ▪ On Factory setting Off	If you simulate the relay state, this is indicated on the display by a simulation icon in front of the relay display.
State	Selection <ul style="list-style-type: none"> ▪ Low ▪ High Factory setting Low	▶ Set the desired simulation value. The relay switches in accordance with your setting when you switch on the simulation. On the measured value display, you see On (= Low) or Off (= High) for the simulated relay state.
▶ Meas. inputs		Simulation of a measured value (only for sensors)
Channel : parameter		This menu appears once for each measuring input.
Simulation	Selection <ul style="list-style-type: none"> ▪ Off ▪ On Factory setting Off	If you simulate the measured value, this is indicated on the display by a simulation icon in front of the measured value.
Main value	Depends on the sensor	▶ Set the desired simulation value.
Sim. temperature	Selection <ul style="list-style-type: none"> ▪ Off ▪ On Factory setting Off	If you simulate the temperature measured value, this is indicated on the display by a simulation icon in front of the temperature.
Temperature	-50.0 to +250.0 °C (-58.0 to 482.0 °F) Factory setting 20.0 °C (68.0 °F)	▶ Set the desired simulation value.
Binary input x:y Binary output x:y		Simulation of a binary input or output signal The number of submenus available corresponds to the number of binary inputs or outputs.
Simulation	Selection <ul style="list-style-type: none"> ▪ Off ▪ On Factory setting Off	
State	Selection <ul style="list-style-type: none"> ▪ Low ▪ High 	

11.13 Device test

11.13.1 Analyzer

DIAG/System testAnalyzer/Sample collector ¹⁾		
Function	Options	Info
▷ Empty sample collector		The sample collecting vessel can be automatically emptied in this menu.
▷ Start		
▷ Stop		

1) Is only displayed if a collecting vessel is provided.

DIAG/System testAnalyzer/Sample preparation 1 (CAT820/CAT860) ¹⁾		
Function	Options	Info
▶ Cabinet heating		Tests the housing heating
Cabinet temperature	Read only	Displays the current housing temperature
Mode	Read only	
▷ On for 10 minutes		The heating is switched on for 10 minutes.
▷ Off		The heating is switched off.
▷ Automatic		The heating is automatically switched on and off according to the housing temperature.
▶ Hose heating filter		Tests the hose heating (filter to pump)
Ambient temperature	Read only	Displays the current outside temperature
Mode	Read only	
▷ On for 10 minutes		The heating is switched on for 10 minutes.
▷ Off		The heating is switched off.
▷ Automatic		The heating is automatically switched on and off according to the outside temperature.
▶ Hose heating analyzer		Tests the hose heating (pump to analyzer)
Ambient temperature	Read only	Displays the current outside temperature
Mode	Read only	
▷ On for 10 minutes		The heating is switched on for 10 minutes.
▷ Off		The heating is switched off.
▷ Automatic		The heating is automatically switched on and off according to the outside temperature.
▷ Start sampling		The sample pump is switched on in interval mode in line with the settings under Menu/Setup/Sample preparation
▷ Start sampling, continuous mode		The sample pump is switched on in permanent mode.
▷ Stop sampling		The sample pump is switched off.


1) Depends on the connected sample preparation

DIAG/System testAnalyzer/Photometer		
Function	Options	Info
Cleaning factor	Read only	
Raw value	Read only	
Temperature	Read only	

DIAG/System testAnalyzer/Sample collector valve ¹⁾		
Function	Options	Info
▷ Towards sample collector		If CAT860 sample preparation is connected, this menu item is also displayed. The valve for sample supply is opened towards the collecting vessel.
▷ Towards outlet		If CAT860 sample preparation is connected, this menu item is also displayed. The valve for sample supply is opened towards the outlet.
Towards sample collector 1		This menu item is also displayed for two-channel devices. The valve for sample supply is opened towards collecting vessel 1.
Towards sample collector 2		This menu item is also displayed for two-channel devices. The valve for sample supply is opened towards collecting vessel 2.
Towards analyzer 1		This menu item is additionally displayed in the case of 2 cascaded analyzers. The valve for sample supply is opened towards analyzer 1.
Towards analyzer 2		This menu item is additionally displayed in the case of 2 cascaded analyzers. The valve for sample supply is opened towards analyzer 2.

- 1) Test the valve for sample supply. This menu item is additionally displayed in the case of two-channel devices, 2 cascaded analyzers or if CAT860 sample preparation is connected.

11.13.2 Power supply

DIAG/System test/Power supply		
Function	Options	Info
Digital supply 1: 1.2V	Read only	Detailed list of power supply to instrument.  The actual values can vary without a malfunction having occurred.
Digital supply 2: 3.3V		
Analog supply: 12.5V		
Sensor supply: 24V		
Temperature		

11.14 Resetting

DIAG/Reset		
Function	Options	Info
▷ Device restart	Selection <ul style="list-style-type: none"> ▪ OK ▪ ESC 	Restart and keep all the settings
▷ Factory default	Selection <ul style="list-style-type: none"> ▪ OK ▪ ESC 	Restart with factory settings Settings that have not been saved are lost.

11.15 Operating time information

List of functional and operating time counters

- Operating time filter mats
 - Displays the period of usage in days
- Operating time photometer
- Remaining operating time
 - Dispensers
 - Displays the remaining period of usage in days; i.e. the individual dispensers can still be used for this many days.
- Operating time cooling module
 - The counter can also be reset here.
- Operating time sample preparation 1 ... 2
 - Device
 - Filter
 - Pump hose
 - Operation < -20 °C
 - Only if sample heating is activated
 - Operation > 50 °C
 - Only if sample heating is activated

11.16 Firmware history

Date	Version	Changes to firmware	Documentation
03/2022	01.12.00	Improvements, including: <ul style="list-style-type: none"> ▪ Pre-rinsing with reagents after a bottle change ▪ Improved texts for diagnoses F361 and S360 ▪ Measuring ranges displayed with up to 2 decimal places, depending on the measuring range limits ▪ Valves can now be switched in the maintenance menu 	BA01575C/07/.../06.22 BA01245C/07/.../08.22
03/2021	01.09.00	Extension <ul style="list-style-type: none"> ▪ Support for new base module ▪ PROFINET Improvements <ul style="list-style-type: none"> ▪ Air bubble detection, measurement is repeated if the threshold value is overshoot ▪ Minimum time for compressed air cleaning reduced to 1 s 	BA01575C/07/.../05.21 BA01245C/07/.../07.19
01/2020	01.07.00	Extension Dilution function	BA01575C/07/.../04.20 BA01245C/07/.../07.19
06/2017	01.06.04	Extension <ul style="list-style-type: none"> ▪ New mathematical function Formula ▪ Improvement <ul style="list-style-type: none"> ▪ Chemical cleaning (CAT860) ▪ Enhanced help text 	BA01575C/07/.../03.17 BA01245C/07/.../05.17

Date	Version	Changes to firmware	Documentation
03/2016	01.06.00	Extension <ul style="list-style-type: none"> ■ Measurement started via external signal ■ Activation of a binary output at a configurable time before a measurement 	BA01575C/07/./02.16 BA01245C/07/./03.16
12/2015	01.05.04	Original software	BA01575C/07/./01.15 BA01245C/07/./03.16

This product uses Lua, which is distributed under the following license:

Copyright © 1994–2013 Lua.org, PUC-Rio.

Permission is hereby granted, free of charge, to any person obtaining a copy of this software and associated documentation files (the "Software"), to deal in the Software without restriction, including without limitation the rights to use, copy, modify, merge, publish, distribute, sublicense, and/or sell copies of the Software, and to permit persons to whom the Software is furnished to do so, subject to the following conditions:

The above copyright notice and this permission notice shall be included in all copies or substantial portions of the Software.

THE SOFTWARE IS PROVIDED "AS IS", WITHOUT WARRANTY OF ANY KIND, EXPRESS OR IMPLIED, INCLUDING BUT NOT LIMITED TO THE WARRANTIES OF MERCHANTABILITY, FITNESS FOR A PARTICULAR PURPOSE AND NONINFRINGEMENT. IN NO EVENT SHALL THE AUTHORS OR COPYRIGHT HOLDERS BE LIABLE FOR ANY CLAIM, DAMAGES OR OTHER LIABILITY, WHETHER IN AN ACTION OF CONTRACT, TORT OR OTHERWISE, ARISING FROM, OUT OF OR IN CONNECTION WITH THE SOFTWARE OR THE USE OR OTHER DEALINGS IN THE SOFTWARE.

12 Maintenance

Effects on process and process control

- ▶ Take all the necessary precautions in time to ensure the operational safety and reliability of the entire measuring point.

⚠ WARNING

Process pressure and temperature, contamination, electrical voltage

Risk of serious or fatal injury

- ▶ Avoid hazards posed by pressure, temperature and contamination.
- ▶ Make sure the device is de-energized before you open it.
- ▶ Power can be supplied to switching contacts from separate circuits. De-energize these circuits before working on the terminals.

⚠ CAUTION

Maintenance activities in automatic mode

Risk of injury from chemicals or contaminated media

- ▶ Before releasing the hoses, ensure that no action is running or about to start.
- ▶ Set the device to the manual mode.
- ▶ Wear protective clothing, goggles and gloves or take other suitable measures to protect yourself.

NOTICE

Electrostatic discharge (ESD)

Risk of damaging the electronic components

- ▶ Take personal protective measures to avoid ESD, such as discharging beforehand at PE or permanent grounding with a wrist strap.
- ▶ For your own safety, use only genuine spare parts. With genuine parts, the function, accuracy and reliability are also ensured after maintenance work.

NOTICE

Failure to observe the maintenance intervals

Possibility of material damage

- ▶ Observe the recommended maintenance intervals.

12.1 Maintenance schedule





Interval	Maintenance work
After every reagent replacement, during commissioning, maintenance and repair	Perform zero adjustment
3 months	<ul style="list-style-type: none"> ▪ (Depending on the application; as required) clean the optional sample collecting vessel ▪ Replace standard CY80CR (typically; with a calibration interval of 48 h)
3.5 months	Replace reagent CY80CR (typically; with a measuring interval of 10 min, depending on the temperature and measuring range)
4.5 months	Replace cleaner CY800 (typically; with a cleaning interval of 48 h)
6 months	<ul style="list-style-type: none"> ▪ Clean filter mats ▪ Replace dispensers
12 months	<ul style="list-style-type: none"> ▪ (If necessary) replace hoses: <ul style="list-style-type: none"> ▪ Norprene, black ▪ C-Flex, white ID 1.6 mm ▪ Replace filter mats ▪ Replace the O-ring in the cover of the sample collecting vessel
2 years	Replace the Liquid Manager

Interval	Maintenance work
2 to 3 years	(If necessary) replace hoses: <ul style="list-style-type: none"> ▪ C-Flex, white ID 3.2 mm ▪ C-Flex, white ID 6.4 mm
If required	<ul style="list-style-type: none"> ▪ Clean the housing ▪ Check the fan of the cooling module for dirt and vacuum clean if necessary ▪ Clean CAT8x0 sample preparation (automatic cleaning) ▪ Rinse the system

12.2 Maintenance work

12.2.1 Software menu Maintenance

Menu/Operation/Maintenance

- Bottle replacement
If level monitoring is activated: specify when bottles are replaced.
- Dispenser replacement
Operating time counter, can be reset here. Replace dispensers: →  156
- Liquid manager replacement
Operating time counter, can be reset here. Replace Liquid Manager: →  157
- Filter mats replacement
Operating time counter, can be reset here. Replace filter mats: →  155
- Sample preparation 1 ... 2
Operating time counter, can be reset here. Operating hours of:
 - Filter
 - Pump hose
 - Replace filter and hose: → see the Operating Instructions for the sample preparation system
- Decommissioning
→  158

12.2.2 Setting the manual mode

Initial situation: The device is still in the automatic mode and you want to perform maintenance work.

1. Press the **MODE** soft key.
 - ↳ The current mode is displayed: **Automatic**
2. Select an action: **Manual mode**
 - ↳ The device changes to the manual mode.
3. Wait until all operations have stopped.
4. **Alternatively:**
Stop actions currently running under: **Menu/Operation/Manual operation.**

12.2.3 Cleaning

CAUTION

Risk of injury from reagents escaping

- ▶ Before replacing, always rinse the system first.

Cleaning the housing

- ▶ Clean the front of the housing using commercially available cleaning agents only.

The front of the housing is resistant to the following in accordance with DIN 42 115:

- Ethanol (for a short time)
- Diluted acids (max. 2% HCl)
- Diluted bases (max. 3% NaOH)
- Soap-based household cleaning agents

NOTICE

Cleaning agents not permitted

Damage to the housing surface or housing seal


- ▶ Never use concentrated mineral acids or alkaline solutions for cleaning.
- ▶ Never use organic cleaners such as acetone, benzyl alcohol, methanol, methylene chloride, xylene or concentrated glycerol cleaner.
- ▶ Never use high-pressure steam for cleaning.

Clean CAT8x0 sample preparation (automatic cleaning)

The Liquiline System CAT8x0 for sample preparation facilitates regular backflushing of the filter and the sample hoses.

- ▶ Select a suitable cleaning interval under **Menu/Setup/Sample preparation/Sample preparation 1**.

Rinsing the system

 Measurement, cleaning or calibration is not possible while the bottles are removed.

Rinsing the collecting vessel with sample and draining it


1. Stop the sample supply.
2. If you have not already done so, set the manual mode.
3. Select **Menu/Operation /Maintenance/Decommissioning/Sample collector/Empty sample collector/Start**.
 - ↳ The system is automatically rinsed with sample and emptied. This process takes approx. 4 minutes.

Rinsing the analyzer with water

1. Open all the reagent bottles and carefully remove the hoses. Open all the bottles if you wish to replace dispensers or hoses.
2. Dry the ends of the hoses with a clean paper towel.
3. Place the ends of the hoses into an empty beaker.
4. Trigger the action: **Menu/Operation/Maintenance/Decommissioning/Rinse with water**.
5. Immerse all the hoses into a beaker with approx. 200 ml of distilled water in order to rinse the system with water.
6. Trigger the action again: **Menu/Operation/Maintenance/Decommissioning/Rinse with water**.
7. Remove the hoses from the beaker and dry them with a clean paper towel.

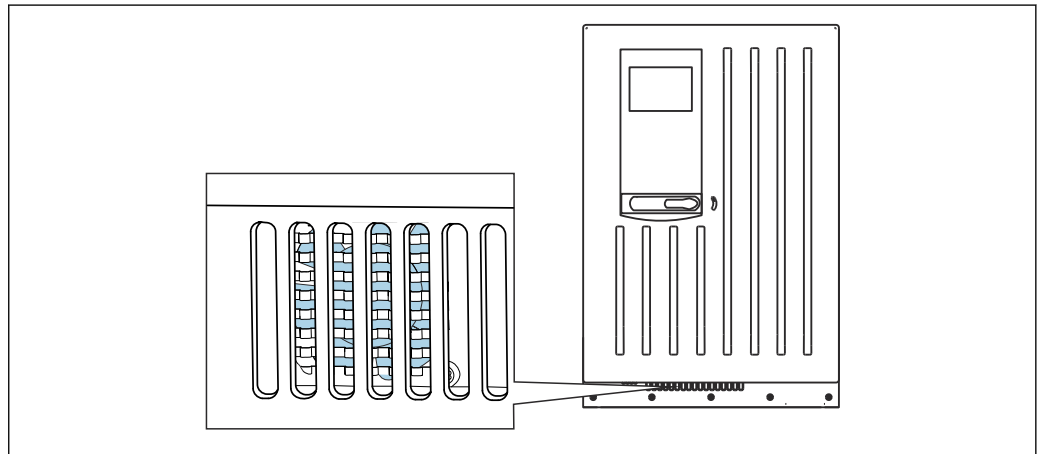
Cleaning the optional sample collecting vessel

Cleaning the collecting vessel


Trigger the rinsing and draining of the collecting vessel before rinsing the analyzer
→  152.

1. Remove all the hoses from the sample collecting vessel and the cable of the level monitoring system and take the sample collecting vessel out of the holder unit.
2. Open the sample collecting vessel by turning the cover in the clockwise direction.
3. Clean the sample collecting vessel with a small brush and plenty of water.
4. Return the collecting vessel to the holder unit and connect up all the hoses again correctly.
5. Start the sample preparation system.
6. Press the soft key **MODE** and select **Continue automatic mode** to start normal measurement.

Cleaning the fan of the cooling module



A0045403

 81 Fan of the cooling module (behind the ventilation grille)

1. Check the fan regularly for dirt.
2. In environments with a heavy particle load:
vacuum clean regularly from outside.

12.2.4 Replacing reagents

Removing bottles

1. Stop the sample supply.
2. If you have not already done so, set the manual mode.
3. Remove the bottles that you wish to replace by removing the hoses on the Liquid Manager. Use a paper towel to catch any reagents that may escape.
4. Select **Menu/Operation /Maintenance/Bottle change mode/Bottle removal/ Bottle selection**.
5. Select the bottles that you want to remove and press **OK** to confirm.
6. Select **Confirm bottles removed**.

Replacing bottles

1. Replace the removed bottles with fresh reagent .
 - ↳ Reagents must be prepared according to the instructions for mixing a reagent.
2. Reconnect the hoses to the Liquid Manager.
3. Select **Menu/Operation /Maintenance/Bottle change mode/Bottle insertion/Bottle selection**.
4. Select all the bottles that you have replaced and press **OK** to confirm.
5. Select **Confirm bottles inserted**.
6. If bottle level monitoring is activated (**Menu/Setup/Analyzer/Extended setup/Diagnostics settings/Bottles**), you must reset this under **Menu/Operation/Maintenance/ Bottle change mode/Bottle insertion/Reset filling levels**.
7. Following the replacement, a zero point calibration must be performed and the calibration factor must be redetermined: **Menu/Operation/Manual operation/Determine zero point** and **/Determine calibration factor**.
8. Go back to the **MODE/Continue automatic mode** or **MODE/Start automatic mode** to start the normal measurement.

12.2.5 Carrying out zero adjustment

Replacing standard calibration solution with zero standard

1. If you have not already done so, set the manual mode.
2. Remove the bottles containing standard S1 by removing the hose from the bottle. Use a paper towel to catch any reagents that may escape. This prevents any contamination of the zero standard.
3. Replace the standard with zero standard.
4. Connect the zero standard to the Liquid Manager, connection S1.
5. Select **Menu/Operation /Maintenance/Bottle change mode/Bottle insertion/Bottle selection**.
6. Select **Standard S1** and press **OK** to confirm.
7. Select **Confirm bottles inserted**.


Determining the zero point

1. Call up: **Menu/Operation/Manual operation/Determine zero point**.
2. Carry out zero point calibration.
 - ↳ With a value > 0.02 mg/l Cr(VI): Repeat the calibration until there is only a marginal difference between the last 2 values (0.02 mg/l Cr(VI)).
3. Following successful calibration, the following message appears: "Do you want to accept the calibration data for adjustment?". Press **OK** to confirm.

Re-deploying the standard calibration solution

1. Replace the zero standard with the standard. Use either an additional hose in order to reconnect the standard calibration solution, or allow the hose to drain and dry the hose well.
2. Connect the standard calibration solution to the Liquid Manager.
3. Select **Menu/Operation /Maintenance/Bottle change mode/Bottle insertion/Bottle selection**.
4. Select **Standard S1** and select **OK** to confirm.

5. Select **Confirm bottles inserted**.


 Recommendation: Afterwards, perform a manual calibration with the standard solution (**Determine calibration factor**).

Alternatively, the zero point and calibration factor can be determined in one step (**Determine zero point and calibr. factor**).

12.2.6 Replacing the hoses

You require the following parts:

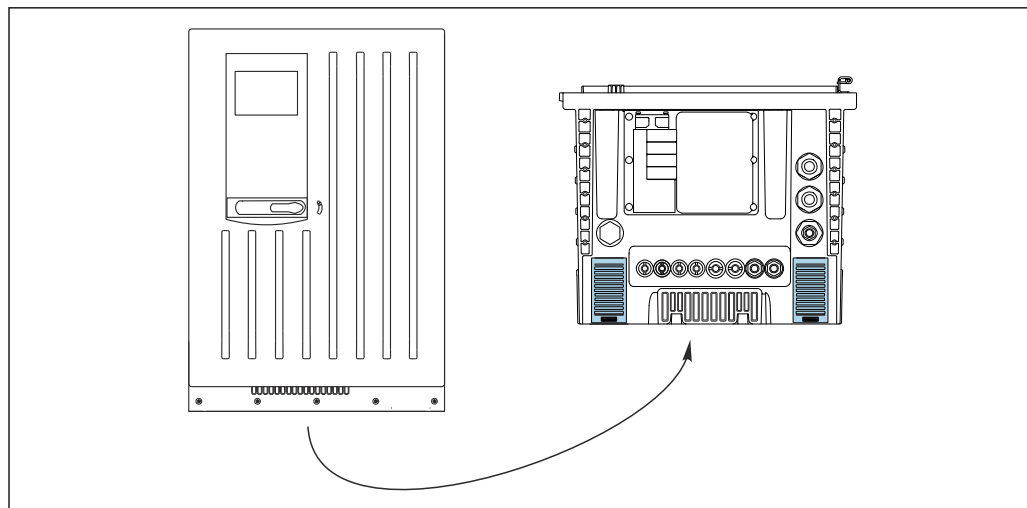
- From the CAV800 maintenance kit:
 - NORPRENE hose, ID 1.6 mm
 - C-Flex hose, ID 3.2 mm
 - C-Flex hose, ID 6.4 mm
 - Hose connector
- 1 pair of gloves that are resistant to the reagents used

1. Rinse the system. →  152
 - ↳ There should not be any more sample left in the sample collecting vessel.
2. Remove the bottles and the bottle tray.
3. Remove the cover of the carrier board.
4. Replace the hoses with hoses of the same diameter and length. Attach hose labels to the new hoses.
5. Route drain hose D6 **behind** dispenser 7.
6. Secure the cover and place the bottle tray back into the housing.
7. Connect the bottles to the appropriate covers and hoses.
8. Select **Menu/Operation /Maintenance/Bottle change mode/Bottle insertion/Bottle selection**.
9. Select all the bottles and press **OK** to confirm.
10. Select **Confirm bottles inserted**.
11. Press the **MODE** soft key and select **Continue automatic mode** or **Start automatic mode**.

12.2.7 Replacing the filter mats

You require the following parts:

Filter mats (part of the CAV800 maintenance kit)



A0045364

82 Fan screen on the bottom

1. Open both fan screens and remove them.
↳ The filter mats are located under the screens.
2. Remove the used filter mats and replace them with new ones from the maintenance kit.
3. Fit the fan screens back on.
4. Reset the operating hours counter for the mats: **Menu/Operation/Operating time filter mats/Reset.**

12.2.8 Replacing dispensers

You require the following parts:

- From the CAV800 maintenance kit:
 - NORPRENE hose, ID 1.6 mm
 - 10 ml dispensers with adapter
 - 2.5 ml dispensers with adapter
- 1 pair of gloves that are resistant to the reagents used

Preparing to replace dispensers

1. Rinse the system. → 152
2. Remove the bottles including the reagent hoses and the bottle tray.
3. Remove the cover of the carrier board.

Removing dispensers

1. Select **Menu/Operation/Dispenser replacement/Dispenser selection.**
2. Select the dispensers that you want to replace.
3. Select **Draw up dispenser.**
4. Open the dispenser holder by pressing both snap-fit hooks together and removing it.
5. Turn the dispenser counterclockwise to remove it from the Liquid Manager.
6. Remove the adapter and the dispenser from the dispenser drive. To do so, hold the dispenser by the black block at the lower end and pull the block from the metal pin.

Inserting new dispensers

1. Screw a new dispenser onto the Liquid Manager. Make sure that the dispenser is connected correctly.

2. Slide the dispenser holder over the snap-fit hooks. Ensure that the holder snaps into place. Make sure that the drain hose D6 is routed behind dispenser 7.
3. Secure the cover and place the bottle tray back into the housing.
4. Connect the reagent hoses to the corresponding connections on the Liquid Manager.
5. Select **Menu/Operation/Dispenser replacement/Dispenser selection**.
6. Select the dispensers that you have replaced and press **OK** to confirm.
7. Select **Reset operating time counter**.
8. Select **Menu/Operation /Maintenance/Bottle change mode/Bottle insertion/Bottle selection**.
9. Select all the bottles and press **OK** to confirm.
10. Select **Confirm bottles inserted**.
11. The system must be calibrated after a replacement routine. Select **Menu/Operation/Manual operation/Determine calibration factor**.
12. After the calibration go back to **MODE/Continue automatic mode** or **MODE/Start automatic mode**.

12.2.9 Replacing the Liquid Manager

You require the following parts:
CAV800-AFxx+PT for CA80CR

Preparations to replace the Liquid Manager

1. Rinse the system (see the "Rinsing the system" section).
2. Remove the bottles and the bottle tray.
3. Remove the cover of the carrier board.

Removing the dispensers

1. **Menu/Operation/Dispenser replacement/Dispenser selection** Select .
2. Select all the dispensers.
3. **Draw up dispenser** Select .
4. Disconnect the power to the analyzer.
5. Open the dispenser holder by pressing both snap-fit hooks together and removing it.
6. Turn the dispenser clockwise to remove it from the Liquid Manager.
7. Remove the adapter and the dispenser from the dispenser drive. To do so, hold the dispenser by the black block at the lower end and pull the block from the metal pin.

Replacing the Liquid Manager

1. Release and remove the 4 Allen screws (4 mm) on the Liquid Manager.
2. Disconnect the two plug-in connectors of the Liquid Manager from the main PCB.
3. Release the four torx screws on the stepping motor of the old Liquid Manager. Remove the stepping motor of the old Liquid Manager.
4. Mount the stepping motor on the new Liquid Manager.
5. Install the new Liquid Manager in the reverse order.

Reinserting the dispensers

1. Screw a new dispenser onto the Liquid Manager. Make sure that the dispenser is connected correctly.

2. Slide the dispenser holder over the snap-fit hooks. Ensure that the holder snaps into place. Make sure that the drain hose D6 is routed behind dispenser 7.

Reinserting the bottles and starting the analyzer again

1. Secure the cover and place the bottle tray back into the housing.
2. Connect the bottles to the appropriate covers and hoses.
3. Switch the analyzer back on.
4. **Menu/Operation** Select /**Maintenance/Bottle change mode/Bottle insertion/Bottle selection** select .
5. Select all the bottles and press **OK** to confirm.
6. **Confirm bottles inserted** Select .

Triggering a calibration

1. The system must be calibrated after a replacement routine. **Menu/Operation/Manual operation/Determine calibration factor** select .
2. After the calibration go back to **MODE/Continue automatic mode** or **MODE/Start automatic mode** appears.

12.3 Taking out of service

CAUTION

Activities while the analyzer is in operation

Risk of injury and infection from medium!

- ▶ Before you release any hoses, make sure that no actions, such as the pumping of sample, are currently running or are due to start shortly.
- ▶ Wear protective clothing, goggles and gloves or take other suitable measures to protect yourself.
- ▶ Wipe up any spilt reagent with a disposable tissue and rinse with clear water. Then dry the cleaned areas with a cloth.

NOTICE

Do not operate the analyzer for longer than 5 days without taking it out of service properly!

Can result in damage to the device.

- ▶ Take the analyzer out of service as described.

To take out of service, proceed as follows:

1. Set the manual mode
2. Empty the sample collecting vessel
3. Rinse the system

12.3.1 Setting the manual mode

Initial situation: The device is still in the automatic mode and you now want to take the device out of service.

1. Press the **MODE** soft key.
 - ↳ The current mode is displayed: **Automatic**
2. Select an action: **Manual mode**
 - ↳ The device changes to the manual mode.
3. Wait until all operations have stopped.

4. Alternatively:

Stop actions currently running under: **Menu/Operation/Manual operation**.

12.3.2 Emptying the sample collecting vessel**1. Menu/Operation /Maintenance/Decommissioning/Sample collector/Empty sample collector/Start** must be selected.

↳ The system is automatically rinsed with sample and emptied. This process takes approx. 4 minutes.

2. In the case of a two-channel device, repeat the procedure for the second sample collecting vessel.**12.3.3 Rinsing the system****1.** Open all the reagent bottles and carefully remove the hoses. Open all the bottles if you wish to replace dispensers or hoses.**2.** Dry the ends of the hoses with a clean paper towel.**3.** Place the ends of the hoses into an empty beaker.**4.** Once the action is completed, select **Menu/Operation/Maintenance/Decommissioning/Rinse analyzer** must be selected.**5.** Immerse all the hoses (RK, S1, P) in a beaker containing approx. 200 ml (6.76 fl.oz) of distilled water in order to rinse the system with water.**6.** Select **Menu/Operation /Maintenance/Decommissioning/Sample collector/Empty sample collector/Start** must be selected.

↳ The system is automatically rinsed with sample and emptied. This process takes approx. 4 minutes.

7. Remove the hoses from the beaker and dry them with a clean paper towel.**8.** Select **Menu/Operation/Maintenance/Decommissioning/Rinse analyzer** once again to rinse the hoses with air.**9.** The analyzer can now be disconnected from the mains supply.

13 Repair

13.1 General notes

The repair and conversion concept provides for the following:

- The product has a modular design
- Spare parts are grouped into kits which include the associated kit instructions
- Only use original spare parts from the manufacturer
- Repairs are carried out by the manufacturer's Service Department or by trained users
- Certified devices can only be converted to other certified device versions by the manufacturer's Service Department or at the factory
- Observe applicable standards, national regulations, Ex documentation (XA) and certificates

1. Carry out the repair according to the kit instructions.
2. Document the repair and conversion and enter, or have entered, in the Life Cycle Management tool (W@M).

13.2 Spare parts

Device spare parts that are currently available for delivery can be found on the website:

<https://portal.endress.com/webapp/SparePartFinder>

- ▶ Quote the serial number of the device when ordering spare parts.

13.3 Return

The product must be returned if repairs or a factory calibration are required, or if the wrong product was ordered or delivered. As an ISO-certified company and also due to legal regulations, Endress+Hauser is obliged to follow certain procedures when handling any returned products that have been in contact with medium.

To ensure the swift, safe and professional return of the device:

- ▶ Check the website www.endress.com/support/return-material for information on the procedure and general conditions.

13.4 Disposal



If required by the Directive 2012/19/EU on waste electrical and electronic equipment (WEEE), the product is marked with the depicted symbol in order to minimize the disposal of WEEE as unsorted municipal waste. Do not dispose of products bearing this marking as unsorted municipal waste. Instead, return them to the manufacturer for disposal under the applicable conditions.

Dispose of batteries correctly

- ▶ Always dispose of batteries in accordance with local regulations on battery disposal.

Disposing of chemicals

⚠ CAUTION

Risk of injury if used reagents and reagent waste are disposed of incorrectly!

- ▶ Follow the instructions in the safety data sheets of the chemicals used.
- ▶ Observe the local regulations on disposal.

14 Accessories

The following are the most important accessories available at the time this documentation was issued.

Listed accessories are technically compatible with the product in the instructions.

1. Application-specific restrictions of the product combination are possible.
Ensure conformity of the measuring point to the application. This is the responsibility of the operator of the measuring point.
2. Pay attention to the information in the instructions for all products, particularly the technical data.
3. For accessories not listed here, please contact your Service or Sales Center.

14.1 Device-specific accessories

14.1.1 Sample preparation

Liquiline System CAT810

- Pressure pipe sampling and microfiltration
- Product Configurator: www.endress.com/cat810)



Technische Information Liquiline System CAT810, TI01138C

Liquiline System CAT820

- Sampling and membrane filtration
- Product Configurator: www.endress.com/cat820)



Technical Information Liquiline System CAT820, TI01131C

Liquiline System CAT860

- Sampling and membrane filtration
- Product Configurator: www.endress.com/cat860)



Technical Information Liquiline System CAT860, TI01137C



The Liquiline System CAT860 can only be operated with a Liquiline System CA80 single-channel device.

14.1.2 Installation accessories

Kit, post with bracket CA80, outd.

- Post 60 x 60 x 1800 mm, stainless steel 1.4571
- Post mount clamp CA80xx
- Kit installation instructions
- Order No. 71458285

14.1.3 Consumables

1. <https://portal.endress.com/webapp/SparePartFinder>
2. Specify the serial number or product code.

The following consumables are available:

- Reagents and standard solutions CY80CR
- Cleaner CY800 (for hoses in the device)
- Cleaner CY820 (for hoses of sample preparation system and of sample collecting vessel)
- CAC880, inlet and outlet hoses for CA80

14.1.4 Maintenance kit CAV800

<https://portal.endress.com/webapp/SparePartFinder>

Standard

- Dispensers, 4 x 2.5 ml and 4 x 10 ml, including mounted adapter
- Hoses
- Silicone grease, medium-viscosity, tube 2 g
- Plug
- Sealing caps
- Filter mats

Optional

- Inlet and outlet hoses
- Liquid Manager without motor
- Collecting vessel, beaker (2 pcs.)

14.1.5 Upgrade kits CAZ800

Kit for upgrade to two-channel device

- Valve for switching sample flow
- Two sample collecting vessels with level monitoring, pre-fitted on mounting bracket
- Hoses, connection adapters
- Activation code

Kit for upgrading the dilution function

- Hose with identification marking
- Modified cable gland
- Activation code

14.1.6 Sensors

pH glass electrodes

Memosens CPS11E

- pH sensor for standard applications in process and environmental engineering
- Digital with Memosens 2.0 technology
- Product Configurator on the product page: www.endress.com/cps11e



Technical Information TI01493C

Memosens CPS41E

- pH sensor for process technology
- With ceramic junction and KCl liquid electrolyte
- Digital with Memosens 2.0 technology
- Product Configurator on the product page: www.endress.com/cps41e



Technical Information TI01495C

Memosens CPS71E

- pH sensor for chemical process applications
- With ion trap for poison-resistant reference
- Digital with Memosens 2.0 technology
- Product Configurator on the product page: www.endress.com/cps71e



Technical Information TI01496C

Memosens CPS91E

- pH sensor for heavily polluted media
- With open aperture
- Digital with Memosens 2.0 technology
- Product Configurator on the product page: www.endress.com/cps91e

 Technical Information TI01497C

Memosens CPS31E

- pH sensor for standard applications in drinking water and swimming pool water
- Digital with Memosens 2.0 technology
- Product Configurator on the product page: www.endress.com/cps31e

 Technical Information TI01574C

Ceramax CPS341D

- pH electrode with pH-sensitive enamel
- Meets highest demands of measuring accuracy, pressure, temperature, sterility and durability
- Product Configurator on the product page: www.endress.com/cps341d

 Technical Information TI00468C


Memosens CPF81E

- pH sensor for mining operations, industrial water and wastewater treatment
- Digital with Memosens 2.0 technology
- Product Configurator on the product page: www.endress.com/cpf81e

 Technical Information TI01594C

ORP electrodes**Memosens CPS12E**

- ORP sensor for standard applications in process and environmental engineering
- Digital with Memosens 2.0 technology
- Product Configurator on the product page: www.endress.com/cps12e

 Technical Information TI01494C

Memosens CPS42E

- ORP sensor for process technology
- Digital with Memosens 2.0 technology
- Product Configurator on the product page: www.endress.com/cps42e

 Technical Information TI01575C

Memosens CPS72E

- ORP sensor for chemical process applications
- Digital with Memosens 2.0 technology
- Product Configurator on the product page: www.endress.com/cps72e

 Technical Information TI01576C

Memosens CPS92E

- ORP sensor for use in heavily polluted media
- Digital with Memosens 2.0 technology
- Product Configurator on the product page: www.endress.com/cps92e

 Technical Information TI01577C

Memosens CPF82E

- ORP sensor for mining operations, industrial water and wastewater treatment
- Digital with Memosens 2.0 technology
- Product Configurator on the product page: www.endress.com/cpf82e



Technical Information TI01595C

Conductivity sensors with inductive measurement of conductivity**Indumax CLS50D**

- High-durability inductive conductivity sensor
- For standard and hazardous area applications
- With Memosens technology
- Product Configurator on the product page: www.endress.com/cls50d



Technical Information TI00182C

Conductivity sensors with conductive measurement of conductivity**Memosens CLS21E**

- Digital conductivity sensor for media with medium or high conductivity
- Conductive measurement
- With Memosens 2.0
- Product Configurator on the product page: www.endress.com/cls21e



Technical Information TI01528C

Oxygen sensors**Memosens COS51E**

- Amperometric oxygen sensor for water, wastewater and utilities
- Digital with Memosens 2.0 technology
- Product Configurator on the product page: www.endress.com/cos51e



Technical Information TI01620C

Memosens COS81E

- Hygienic optical oxygen sensor with maximum measurement stability over multiple sterilization cycles
- Digital with Memosens 2.0 technology
- Product Configurator on the product page: www.endress.com/cos81e



Technical Information TI01558C

Memosens COS22E

- Hygienic amperometric oxygen sensor with maximum measurement stability over multiple sterilization cycles
- Digital with Memosens 2.0 technology
- Product Configurator on the product page: www.endress.com/cos22e



Technical Information TI01619C

Chlorine dioxide and chlorine sensors**Memosens CCS50E**

- Membrane-covered amperometric sensor for chlorine dioxide
- With Memosens technology
- Product Configurator on the product page: www.endress.com/ccs50e



Technical Information TI01353C

Memosens CCS51E

- Sensor for measuring free available chlorine
- Product Configurator on the product page: www.endress.com/ccs51e



Technical Information TI01423C

Ion-selective sensors**ISEmax CAS40D**

- Ion selective sensors
- Product Configurator on the product page: www.endress.com/cas40d



Technical Information TI00491C

Turbidity sensors**Turbimax CUS51D**

- For nephelometric measurements of turbidity and solids in wastewater
- 4-beam scattered light method
- With Memosens technology
- Product Configurator on the product page: www.endress.com/cus51d



Technical Information TI00461C

Turbimax CUS52D

- Hygienic Memosens sensor for turbidity measurement in drinking water, process water and in utilities
- With Memosens technology
- Product Configurator on the product page: www.endress.com/cus52d



Technical Information TI01136C

SAC and nitrate sensors**Viomax CAS51D**

- SAC and nitrate measurement in drinking water and wastewater
- With Memosens technology
- Product Configurator on the product page: www.endress.com/cas51d



Technical Information TI00459C

Interface measurement**Turbimax CUS71D**

- Immersion sensor for interface measurement
- Ultrasonic interface sensor
- Product Configurator on the product page: www.endress.com/cus71d



Technical Information TI00490C

14.1.7 Cable junction with Velcro strip

- 4 pieces, for sensor cable
- Order No. 71092051

14.2 Communication-specific accessories

14.2.1 Additional functionality

- ▶ Always quote the serial number of your device when ordering activation codes.

Order code	Communication; software
51516983	Commubox FXA291 (hardware)
71127100	SD card with Liquiline Firmware, 1 GB, Industrial Flash Drive
XPC0018	Activation code for EtherNet/IP + web server
XPC0020	Activation code for Modbus TCP + web server
XPC0021	Activation code for web server for BASE2
XPC0022	Activation code for PROFINET + web server for BASE2
XPC0024	Activation code for Profibus DP for module 485
XPC0025	Activation code for Modbus RS485 for module 485
71249548	Kit CA80: activation code for 1st digital sensor input
71249555	Kit CA80: activation code for 2nd digital sensor input

	Retrofit kits
71136999	Kit CSF48/CA80: retrofit service interface (CDI flange connector, counter nut)
71111053	Kit module AOR: 2 x relay, 2 x analog output 0/4 to 20 mA
71125375	Kit module 2R: 2 x relay
71125376	Kit module 4R: 4 x relay
71135632	Kit module 2AO: 2 x analog output 0/4 to 20 mA
71135633	Kit module 4AO: 4 x analog output 0/4 to 20 mA
71135631	Kit module 2DS: 2 x digital sensor, Memosens
71135634	Kit module 485: PROFIBUS DP or Modbus RS485. This requires an additional activation code which can be ordered separately.
71135638	Kit module DIO: 2 x digital input; 2 x digital output; auxiliary power supply for digital output
71135639	Kit module 2AI: 2 x analog input 0/4 to 20 mA
71140888	Upgrade kit module 485 + Profibus DP
71140889	Upgrade kit module 485 + Modbus RS485
71141366	Kit, extension backplane module

14.2.2 Software

Memobase Plus CYZ71D

- PC software to support laboratory calibration
- Visualization and documentation of sensor management
- Sensor calibrations stored in database
- Product Configurator on the product page: www.endress.com/cyz71d



Technical Information TI00502C

Field Data Manager Software MS20/21

- PC software for central data management
- Visualization of series of measurements and logbook events
- SQL database for secure data storage

14.3 System components

14.3.1 Measuring cables

Memosens data cable CYK10

- For digital sensors with Memosens technology
- Product Configurator on the product page: www.endress.com/cyk10



Technical Information TI00118C

Memosens data cable CYK11

- Extension cable for digital sensors with Memosens protocol
- Product Configurator on the product page: www.endress.com/cyk11



Technical Information TI00118C

14.3.2 SD card

- Industrial Flash Drive, 1 GB
- Order number: 71110815

15 Technical data

15.1 Input

Measured variables Chromate (Cr(VI)), CrO₄ [mg/l, µg/l, ppm, ppb]

Measuring range CA80CR-**AF: 0.03 to 2.5 mg/l Cr(VI)
CA80CR-**AG: 0.2 to 5.0 mg/l Cr(VI)

Order version with dilution function (optional)

Measuring range to be configured [mg/l (ppm)]	Dilution factor ¹⁾	Effective measuring range [mg/l (ppm)]
0.2 to 5.0	1	0.2 to 5.0 ²⁾
0.2 to 5.0	5	1 to 25
0.2 to 5.0	10	2 to 50
0.2 to 5.0	50	10 to 250

1) User configurable

2) Dilution function disabled

Types of input

- 1 or 2 measuring channels (analyzer main parameter)
- 1 to 4 digital sensor inputs for sensors with Memosens protocol (optional)
- Analog current inputs (optional)
- Binary inputs (optional)

Input signal Depending on version
2 x 0/4 to 20 mA (optional), passive, potentially isolated

Current input, passive

Span
> 0 to 20 mA

Signal characteristic
Linear

Internal resistance
Non-linear

Test voltage
500 V

Cable specification (for optional sensors with Memosens technology)

Cable type
Memosens data cable CYK10 or sensor fixed cable, each with cable end sleeves or M12 round-pin connector (optional)

Cable length
Max. 100 m (330 ft)

15.2 Output

Output signal

Depending on version:

- 2 x 0/4 to 20 mA, active, potentially isolated (standard version)
- 4 x 0/4 to 20 mA, active, potentially isolated (version with 2 additional analog outputs)
- 6 x 0/4 to 20 mA, active, potentially isolated (version with 4 additional analog outputs)
- Binary outputs

PROFIBUS DP/RS485	
Signal encoding	EIA/TIA-485, PROFIBUS DP-compliant acc. to IEC 61158
Data transmission rate	9.6 kBd, 19.2 kBd, 45.45kBd, 93.75 kBd, 187.5 kBd, 500 kBd, 1.5 MBd, 6 MBd, 12 MBd
Galvanic isolation	Yes
Connectors	Spring terminal (max. 1.5 mm), bridged internally (T-function), optional M12
Bus termination	Internal slide switch with LED display

Modbus RS485	
Signal encoding	EIA/TIA-485
Data transmission rate	2,400, 4,800, 9,600, 19,200, 38,400, 57,600 and 115,200 baud
Galvanic isolation	Yes
Bus termination	Internal slide switch with LED display

Web server and Modbus TCP	
Signal encoding	IEEE 802.3 (Ethernet)
Data transmission rate	10 / 100 MBd
Galvanic isolation	Yes
Connection	RJ45, M12 optional
IP address	DHCP or configuration using menu

EtherNet/IP	
Signal encoding	IEEE 802.3 (Ethernet)
Data transmission rate	10 / 100 MBd
Galvanic isolation	Yes
Connection	RJ45, M12 optional (D-encoded)
IP address	DHCP (default) or configuration via menu

PROFINET	
Signal encoding	IEEE 802.3 (Ethernet)
Data transmission rate	100 MBd
Galvanic isolation	Yes
Connection	RJ45
Name of station	Via DCP protocol using the configuration tool (e.g. Siemens PRONETA)
IP address	Via DCP protocol using the configuration tool (e.g. Siemens PRONETA)

Signal on alarm	Adjustable, as per NAMUR Recommendation NE 43 <ul style="list-style-type: none"> ▪ In measuring range 0 to 20 mA: Failure current from 0 to 23 mA ▪ In measuring range 4 to 20 mA: Failure current from 2.4 to 23 mA ▪ Factory setting for failure current for both measuring ranges: 21.5 mA
-----------------	--

Load	Max. 500 Ω
------	------------

Transmission behavior	Linear
-----------------------	--------

15.3 Current outputs, active

Span	0 to 23 mA
------	------------

Signal characteristic	Linear
-----------------------	--------

Electrical specification	Output voltage Max. 24 V Test voltage 500 V
--------------------------	--

Cable specification	Cable type Recommended: shielded cable Cable specification Max. 2.5 mm ² (14 AWG)
---------------------	---

15.4 Relay outputs

Electrical specification	Relay types <ul style="list-style-type: none"> ▪ 1 single-pin changeover contact (alarm relay) ▪ 2 or 4 single-pin changeover contacts (optional with extension modules) Maximum load <ul style="list-style-type: none"> ▪ Alarm relay: 0.5 A ▪ All other relays: 2.0 A
--------------------------	---

Relay switching capacity

Base module (Alarm relay)

Switching voltage	Load (max.)	Switching cycles (min.)
230 V AC, cosΦ = 0.8 to 1	0.1 A	700,000
	0.5 A	450,000
115 V AC, cosΦ = 0.8 to 1	0.1 A	1,000,000
	0.5 A	650,000
24 V DC, L/R = 0 to 1 ms	0.1 A	500,000
	0.5 A	350,000

Extension module

Switching voltage	Load (max.)	Switching cycles (min.)
230 V AC, cosΦ = 0.8 to 1	0.1 A	700,000
	0.5 A	450,000
	2 A	120,000
115 V AC, cosΦ = 0.8 to 1	0.1 A	1,000,000
	0.5 A	650,000
	2 A	170,000
24 V DC, L/R = 0 to 1 ms	0.1 A	500,000
	0.5 A	350,000
	2 A	150,000

Minimum load (typical)

- Min. 100 mA at 5 V DC
- Min. 1 mA at 24 V DC
- Min. 5 mA at 24 V AC
- Min. 1 mA at 230 V AC

15.5 Protocol-specific data

PROFIBUS DP

Manufacturer ID	11 _h
Device type	155E _h
Profile version	3.02
Device database files (GSD files)	www.endress.com/profibus Device Integration Manager DIM
Output variables	16 AI blocks, 8 DI blocks
Input variables	4 AO blocks, 8 DO blocks
Supported features	<ul style="list-style-type: none"> ■ 1 MSCYO connection (cyclical communication, master class 1 to slave) ■ 1 MSAC1 connection (acyclical communication, master class 1 to slave) ■ 2 MSAC2 connections (acyclical communication, master class 2 to slave) ■ Device lock: The device can be locked using the hardware or software. ■ Addressing using DIL switches or software ■ GSD, PDM DD, DTM

Modbus RS485	Protocol	RTU/ASCII
	Function codes	03, 04, 06, 08, 16, 23
	Broadcast support for function codes	06, 16, 23
	Output data	16 measured values (value, unit, status), 8 digital values (value, status)
	Input data	4 setpoints (value, unit, status), 8 digital values (value, status), diagnostic information
	Supported features	Address can be configured using switch or software

Modbus TCP	TCP port	502
	TCP connections	3
	Protocol	TCP
	Function codes	03, 04, 06, 08, 16, 23
	Broadcast support for function codes	06, 16, 23
	Output data	16 measured values (value, unit, status), 8 digital values (value, status)
	Input data	4 setpoints (value, unit, status), 8 digital values (value, status), diagnostic information
	Supported features	Address can be configured using DHCP or software

EtherNet/IP	Log	EtherNet/IP	
	ODVA certification	Yes	
	Device profile	Generic device (product type: 0x2B)	
	Manufacturer ID	0x049E _h	
	Device type ID	0x109F	
	Polarity	Auto-MIDI-X	
	Connections	CIP	12
		I/O	6
		Explicit message	6
		Multicast	3 consumers
	Minimum RPI	100 ms (default)	
	Maximum RPI	10000 ms	
	System integration	EtherNet/IP	EDS
		Rockwell	Add-on-Profile Level 3, Faceplate for Factory Talk SE
	IO data	Input (T → O)	Device status and diagnostic message with highest priority Measured values: <ul style="list-style-type: none"> ▪ 16 AI (analog input) + Status + Unit ▪ 8 DI (discrete input) + Status
Output (O → T)		Actuating values: <ul style="list-style-type: none"> ▪ 4 AO (analog output) + status + unit ▪ 8 DO (discrete output) + Status 	

PROFINET

Protocol	"Application layer protocol for decentral device periphery and distributed automation", PNIO Version 2.34
Communication type	100 MBit/s
Conformance Class	Conformance Class B
Netload Class	Netload Class II
Baud rate	Automatic 100 Mbps with full-duplex detection
Cycle times	From 32 ms
Device profile	Application interface identifier 0xF600 Generic device
PROFINET interface	1 port, Realtime Class 1 (RT_CLASS_1)
Manufacturer ID	0x11 _h
Device type ID	0x859F _h
Device description files (GSD)	Information and files under: <ul style="list-style-type: none"> ▪ www.endress.com On the product page for the device: Documents/Software → Device drivers ▪ www.profibus.com On the website under Products/Product Finder
Polarity	Auto-polarity for automatic correction of crossed TxD and RxD pairs
Supported connections	<ul style="list-style-type: none"> ▪ 1 x AR (IO Controller AR) ▪ 1 x AR (IO-Supervisor Device AR connection allowed) ▪ 1 x Input CR (Communication Relation) ▪ 1 x Output CR (Communication Relation) ▪ 1 x Alarm CR (Communication Relation)
Configuration options for measuring device	<ul style="list-style-type: none"> ▪ Web browser ▪ Manufacturer-specific software (FieldCare, DeviceCare) ▪ Device master file (GSD), can be read out via the integrated web server of the measuring device
Configuration of the device name	DCP protocol
Supported functions	<ul style="list-style-type: none"> ▪ Identification & maintenance Simple device identification via: <ul style="list-style-type: none"> ▪ Process control system ▪ Nameplate ▪ Measured value status The process variables are communicated with a measured value status ▪ Blinking feature (FLASH_ONCE) via the local display for simple device identification and assignment ▪ Device operation via operating tools (e.g. FieldCare, DeviceCare)
System integration	For information on system integration, see the Operating Instructions <ul style="list-style-type: none"> ▪ Cyclic data transmission ▪ Overview and description of the modules ▪ Status coding ▪ Startup configuration ▪ Factory setting

Web server The web server enables full access to the device configuration, measured values, diagnostic messages, logbooks and service data via standard WiFi/WLAN/LAN/GSM or 3G routers with a user-defined IP address.

TCP port	80
Supported features	<ul style="list-style-type: none"> ■ Remote-controlled device configuration(1 session) ■ Save/restore device configuration (via SD card) ■ Logbook export (file formats: CSV, FDM) ■ Access to web server via DTM or Internet Explorer ■ Login ■ Web server can be switched off

15.6 Power supply

Supply voltage

- 100 to 120 V AC / 200 to 240 V AC or 24 V DC (not available for "Outdoor" version)
- 50 or 60 Hz

Fieldbus connection Supply voltage: not applicable

Power consumption

All versions except "Outdoor" version
 130 VA + 660 VA per hose heater, max. 1450 VA
 24-V version: max. 105 W


"Outdoor" version
 680 VA + 660 VA per hose heater, max. 2000 VA (version with cooling system) ⁵⁾

Fuse 5 x 20 mm 10 A/250 V fine-wire fuse for hose trace heating system

Cable entries

- 4 x bores for M16, G3/8, NPT3/8", Memosens connection ⁶⁾
- 4 x bores for M20, G1/2, NPT1/2"

Cable gland	Permitted cable diameter
M16x1.5 mm	4 to 8 mm (0.16 to 0.32")
M12x1.5 mm (for order version M12 socket for Memosens sensors)	2 to 5 mm (0.08 to 0.20")
M20x1.5 mm	6 to 12 mm (0.24 to 0.48")
NPT ³ / ₈ "	4 to 8 mm (0.16 to 0.32")
G ³ / ₈	4 to 8 mm (0.16 to 0.32")
NPT ¹ / ₂ "	6 to 12 mm (0.24 to 0.48")
G ¹ / ₂	7 to 12 mm (0.28 to 0.48")

 Cable glands mounted at the factory are tightened with 2 Nm.

5) The power value indicated on the nameplate refers to the power consumption when commissioning at 5 °C (41 °F) after an operating time of one minute.

6) In the case of the "Outdoor" version, 2 bores are occupied; for this reason only 2 Memosens sensors are possible

Sensor connection (optional)

Sensors with Memosens protocol

Sensor types	Sensor cable	Sensors
Digital sensors without additional internal power supply	With plug-in connection and inductive signal transmission	<ul style="list-style-type: none"> ▪ pH sensors ▪ ORP sensors ▪ Combined sensors ▪ Oxygen sensors (amperometric and optical) ▪ Conductivity sensors with conductive measurement of conductivity ▪ Chlorine sensors (disinfection)
	Fixed cable	Conductivity sensors with inductive measurement of conductivity
Digital sensors with additional internal power supply	Fixed cable	<ul style="list-style-type: none"> ▪ Turbidity sensors ▪ Sensors for interface measurement ▪ Sensors for measuring the spectral absorption coefficient (SAC) ▪ Nitrate sensors ▪ Optical oxygen sensors ▪ Ion-sensitive sensors

15.7 Performance characteristics

Maximum measured error⁷⁾ 2 % of end of measuring range
 With dilution and dilution factor 5:
 additionally 3.0 % of end of measuring range

Maximum measurement error for sensor inputs → Documentation of the connected sensor

Maximum measurement error for current inputs and outputs
 Typical measured errors:
 < 20 µA (with current values < 4 mA)
 < 50 µA (with current values 4 to 20 mA)
 at 25 °C (77° F) in each case
 Additional measured error depending on the temperature:
 < 1.5 µA/K

Repeatability⁷⁾

- to 0.5 mg/l (ppm) Cr(VI): ± 10 µg/l (ppb) Cr(VI)
- ≥ 0.5 mg/l (ppm) Cr(VI): ± 2 % of the display value

 With dilution and dilution factor 5:
 Additionally 1.5 % of end of measuring range

Repeatability of sensor inputs → Documentation of the connected sensor

Measuring interval Continuous (approx. 5 min), adjustable 10 min to 24 h

7) According to ISO 15839 with standard solutions. Measurement errors include all the uncertainties of the analyzer. They do not include the uncertainties from the standard solutions used as a reference.

Sample requirement	<p>Without dilution module 22 ml (0.74 fl oz)/measurement</p> <p>With dilution module</p> <ul style="list-style-type: none"> ■ Sample: 11 to 15 ml (0.37 to 0.51 fl oz)/measurement (depends on dilution factor) ■ Dilution water: 17 to 21 ml (0.57 to 0.71)/measurement (depends on dilution factor) <p>Use demineralized water for expected sample concentrations of < 50 mg/l (ppm).</p>
Reagent requirement	<ul style="list-style-type: none"> ■ Approx. 65 µl per reagent and measurement ■ Given a measuring interval of 10 min, one set of reagents lasts for approx. 3.5 months
Standard requirement	Given a calibration interval of 48 h approx. 420 ml (14.2 fl.oz) per month
Calibration interval	1 h to 90 days, depending on the application and ambient conditions
Maintenance interval	Every 3 to 6 months, depending on the application
Maintenance effort	<ul style="list-style-type: none"> ■ Weekly: visual inspection ■ Quarterly: 1 hour

15.8 Environment

Ambient temperature range	<p>All housing versions except "Outdoor" version</p> <p>+5 to +40 °C (41 to 104 °F)</p> <p>"Outdoor" version</p> <p>-20 to +40 °C (-4 to 104 °F)</p>
Storage temperature	-20 to 60 °C (-4 to 140 °F)
Relative humidity	10 to 95 %, non-condensing
Degree of protection	IP55 (cabinet, analyzer stand), TYPE 3R (cabinet, analyzer stand)
Electromagnetic compatibility ⁸⁾	Interference emission and interference immunity as per EN 61326-1, class A for industrial areas
Electrical safety	<p>According to EN/IEC 61010-1:2010, Class I equipment</p> <p>Low voltage: overvoltage category II</p> <p>For installations up to 2000 m (6500 ft) above MSL</p>
Pollution degree	Pollution level 2

8) Sufficient mains quality is required to operate the product as designated.

15.9 Process

Sample temperature 4 to 40 °C (39 to 104 °F)

Consistency of the sample Low solids content (turbidity < 50 NTU), aqueous, homogenized

Sample supply Unpressurized

15.10 Mechanical construction

Dimensions →  16

Weight	Order	Weight
	Cabinet version	39.5 kg (87.1 lbs)
	Open installation	31.5 kg (69.45 lbs)
	Analyzer stand	72.5 kg (159.8 lbs)

Materials

Parts not in contact with medium	
Cabinet version, exterior cover	ASA + PC
Open installation, exterior cover	
Cabinet version, interior lining	PP
Open installation, interior lining	
Window	Safety glass, coated
Reagent container	PP
Insulation	EPP (extruded PP)
Base, analyzer stand	Powder-coated sheet steel

Parts in contact with medium	
Dispenser body	PP
Piston seal	TPE
Liquid Manager housing	PP
Liquid Manager seal	FKM
Hoses	C-Flex (TPE), NORPRENE (PP)
Optical window	Borosilicate glass
Form seal, cuvette	FFKM
Drain pipe	PP
Outflow hose	EPDM

Sample collecting vessel (optional) <ul style="list-style-type: none"> ■ Beaker ■ Cover ■ Level detector pins ■ Seal, solenoid valve ■ Seal for sample collecting vessel valve 	<ul style="list-style-type: none"> ■ PMMA ■ PP ■ Stainless steel 1.4404 (V4A) ■ EPDM ■ FKM
Valve on sample collecting vessel (optional) <ul style="list-style-type: none"> ■ Housing ■ Seal 	<ul style="list-style-type: none"> ■ PEEK ■ FKM

Process connection	Sample inlet:	
	With sample collecting vessel	Plug-in connector for rigid hoses with OD 4 mm
	Without sample collecting vessel	Hose barb for flexible hoses with ID 1.6 mm
	Dilution water:	Hose barb for flexible hoses with ID 3.2 mm
	Outlet:	Hose barb for flexible hoses with ID 13 mm

Hose entries	4 x bores for M32 for sample inflow and outflow
--------------	---

Hose specification (self-priming)	<ul style="list-style-type: none"> ■ Clearance: max. 1.0 m (3.3 ft) ■ Height: max. 0.5 m (1.6 ft) ■ Hose ID: 1.6 mm ($\frac{1}{16}$ in)
-----------------------------------	---

Index

A

Accessories	
For installation	162
Maintenance kit	163
Reagent set	162
Sample preparation	162
Sensors	163
Standard solution	162
Activation code	67
Adapting the diagnostic behavior	128
Additional functions	
Cleaning programs	112
Controller	105
Limit switch	98
Mathematical functions	117
Time switch	102
Address	15
Alarm relay	92
Ambient temperature	177
Analyzer	
Additional functions	98
Binary inputs and outputs	80
Configuration menu	68
Configuring	53
Connecting	25
Current inputs	79
Current outputs	89
EtherNet/IP	97
Installing	19
Integrating into the system	42
Modbus	97
Relay	92
Signal outputs	89
Switching on	52
Assignment views	55

B

Base mounting	19
Basic settings	55
Basic setup	53
Bus address	40
Bus termination	39

C

Cable entries	175
Cable specification	169, 175
Calculated pH value	121
Change the password	67
Check	
Connection	41
Installation and function	52
Mounting	24
Chemoclean	37, 113
Chemoclean Plus	114
Chlorine control with feedforward control	81

Cleaning

CAT8x0 sample preparation	152
Cleaning the cooling module fan	153
Housing	151
Sample collecting vessel	153
Cleaning cycle	116
Cleaning function	96
Cleaning programs	
Chemoclean	113
Chemoclean Plus	114
Manual cleaning	117
Standard cleaning	113
Cleaning unit	37
Combined chlorine	121
Commissioning	
Basic setup	53
Steps	49
Switching on	52
Configuration	
Binary inputs	86
Binary outputs	87
Configure	
Actions	47
Numerical values	47
Picklists	47
Tables	48
User-defined text	47
Connection	
Analyzer	25
Cable entries	175
Check	41
Fieldbus	37
Hose entries	179
Optional modules	34
Sensors	33
Supply voltage	175
Web server	42, 44
Controller	93, 105
Controller structure	105
Current inputs	79, 169
Current outputs	89, 171

D

Data management	65
Date	56
Degassed conductivity	119
Degree of protection	177
Description of the product	9
Design of the product	9
Device architecture	12
Device drivers	42
Device status	54
Device variables	96
Device-specific diagnostic messages	130
Device-specific faults	126

Diagnostic messages	
Adapting	128
Classification	128
Device-specific	130
Fieldbus	127
Local display	127
Outputting via the relay	95
Sensor-specific	137
Web browser	127
Diagnostic modules	125
Diagnostics list	137
Dimensions	16, 178
Display	54
Disposal	160
Documentation	6
DTM	42
Dual conductivity	120
E	
Electrical safety	177
Electromagnetic compatibility	177
Ensuring the degree of protection	40
EtherNet/IP	45, 64, 97, 173
Event logbook	137
Exporting the setup	66
Extended setup	61
F	
Fieldbus	
Termination	39
Firmware history	148
Firmware update	65
Formula	122
Function check	52
Fuse	175
H	
Hardware settings	39
Hold settings	56
Hook and loop Velcro fasteners	166
Hose connection diagram	50
Hose entries	179
Hose specification	179
I	
Identifying the product	14
Incoming acceptance	14
Input signal	169
Inputs	
Binary	80
Current inputs	79
Installation check	52
Intended use	7
L	
Laplace representation	105
Limit switch	93, 98
Loading the setup	66
Locking/unlocking operating keys	46
Logbooks	57, 138

M

Maintenance	150
Maintenance work	151
Manipulated variable	93
Manual mode	151, 158
Materials	178
Mathematical functions	117
Calculated pH value	121
Combined chlorine	121
Degassed conductivity	119
Difference	117
Dual conductivity	120
Formula	122
Redundancy	118
rH value	119
Measured variables	169
Measuring instrument	
Configuring	53
Connecting	25
Installing	19
Integrating into the system	42
Switching on	52
Measuring mode	54
Measuring range	169
Measuring system	9
Menu	
Additional functions	98
Analyzer	55, 68
Binary inputs and outputs	80
Current inputs	79
Current outputs	89
EtherNet/IP	97
Maintenance	151
Modbus	97
Relay	92
Signal outputs	89
Misuse	7
Modbus	45, 63, 97
Modbus RS485	173
Connection	37
Modbus TCP	173
Mounting	18
Check	24
Conditions	16
Location	17

N

Nameplate	14
-----------	----

O

Operating	
Access to operating menu via local display	46
Configure	47
Integrating the measuring instrument into the system	42
Operating language	52
Operating menu	46
Operating time information	148

Operation	
Additional functions	98
Analyzer	68
Binary inputs and outputs	80
Current inputs	79
Current outputs	89
Display	54
EtherNet/IP	97
General settings	55
Modbus	97
Relay	92
Signal outputs	89
Operational safety	8
Output	
Output signal	170
Relay outputs	171
Outputs	
Binary	80
Current outputs	89
EtherNet/IP	97
Modbus	97
PROFIBUS DP	96
PROFINET	96
Relay	92
Signal outputs	89
P	
Pollution degree	177
Port assignment	12
Power consumption	175
Power supply	175
24 V version	28
Cable entries	175
Cable specification	175
Connecting optional modules	34
Connecting the analyzer	25
Fieldbus	37
Fuse	175
Hose entries	179
Power consumption	175
Sensor connection	33
Supply voltage	175
Process errors without messages	126
Product description	9
Product design	9
Product security	8
PROFIBUS	
Connection	37
PROFIBUS DP	45, 62, 172
Device variables	96
PROFIBUS variables	97
PROFINET	45, 174
Device variables	96
PROFINET variables	97
Protocol-specific data	172
R	
Reagent set	162
Reasonably foreseeable misuse	7
Relative humidity	177
Relay	92
Repair	160
Replacing	
Dispensers	156
Filter mats	155
Hoses	155
Liquid Manager	157
Reagents	153
Requirements for the personnel	7
Reset	148
Return	160
rH value	119
Rinsing	
System	152
Routing the cable in the connection compartment	25
S	
Safety	
Operation	8
Product	8
Workplace safety	7
Safety information	5
Safety instructions	7
Sample preparation	162
Connecting	30
Saving the setup	66
Scope of delivery	15
SD card	168
Security	
IT	8
Sensor information	144
Sensor-specific diagnostic messages	137
Service interface	44
Settings	
Additional functions	98
Analyzer	68
Binary inputs and outputs	80
Current inputs	79
Current outputs	89
Diagnostics	61
EtherNet/IP	64, 97
Extended	61
General	55
Hardware	39
Modbus	63, 97
Operating language	52
PROFIBUS DP	62
Relay	92
Signal outputs	89
Web server	63
Signal outputs	89
Simulation	144
Slot assignment	12
Soft keys in measuring mode	54
Spare parts	160
Standard cleaning	113
Standard solution	162
State-of-the-art technology	8

Storage temperature	177
Supply voltage	175
Switching on	52
Symbols	5
System information	142
System integration	
Fieldbus	45
Service interface	44
Web server	42
System test	146
T	
Taking out of service	158
Technical data	
Environment	177
Input	169
Mechanical construction	178
Output	170
Process	178
Protocol-specific data	172
Relay outputs	171
Technical personnel	7
Terminal diagram	13
Time	56
Time switch	102
Troubleshooting	126
Diagnostic information	127
General troubleshooting	126
Types of cleaning	113
Types of input	169
U	
Upgrade kit	163
Use	7
W	
Wall mounting	19
Web server	63, 175
Weight	178
Workplace safety	7
Z	
Zero adjustment	154



www.addresses.endress.com
