

Technical Information

RTD TH13, TH14 and TH15

RTD assemblies in thermowells with spring loaded insert and enclosure for process industry



Application

The temperature sensors are RTD assemblies installed in barstock thermowells and designed for use in all types of process industries, including harsh environments, due to their rugged design.

Among other applications the sensors can be used in process industries such as:

- Chemicals & petrochemical
- Power plants, refineries and offshore platforms

Head Transmitter

All Endress+Hauser transmitters are available with enhanced accuracy and reliability compared to directly wired sensors. Easy customizing by choosing one of the following outputs and communication protocols:

- Analog output 4 to 20 mA
- HART®
- PROFIBUS® PA
- FOUNDATION Fieldbus™
- PROFINET® with Ethernet-APL
- Bluetooth® connectivity (optional)

Field Transmitter

Temperature field transmitters with HART® or FOUNDATION Fieldbus™ protocol for highest reliability in harsh industrial environments. Backlit display with large measured value, bargraph and fault condition indication for ease of reading.

Your benefits

- High flexibility due to modular assembly with standard terminal heads and customized immersion length
- Improved Galvanic Isolation on most devices (2 kV)
- Simplified Model Structure: Competitively priced, offers great value. Easy to order and reorder. A single model number includes sensor and transmitter assembly for a complete point solution

[Continued from front page]

- All iTEMP transmitters provide long term stability ≤ 0.05 % per year
- Fast response time with reduced/tapered tip form
- iTHERM StrongSens: unsurpassed vibration resistance ($> 60g$) for ultimate plant safety

Table of contents

Function and system design	4
Measuring principle	4
Measuring system	4
Equipment architecture	5
Input	5
Measured variable	5
Measuring range	5
Output	6
Output signal	6
Family of temperature transmitters	6
Galvanic isolation	7
Power supply	7
Terminal assignment	7
Wire specifications	11
Performance characteristics	11
Response time	11
Accuracy	12
Transmitter specifications	13
Transmitter long-term stability	13
Insulation resistance	13
Self heating	13
Calibration specifications	13
Installation	13
Orientation	13
Installation instructions	14
Environment	14
Ambient temperature range	14
Shock and vibration resistance	14
Process	15
Mechanical construction	15
Design, dimensions	15
Weight	18
Material	18
Process connection	19
Housing	20
Certificates and approvals	24
Ordering information	25
Accessories	25
Device-specific accessories	25
Service-specific accessories	25
System components	26
Documentation	26

Function and system design

Measuring principle

These resistance thermometers use a Pt100 temperature sensor according to IEC 60751. This temperature sensor is a temperature-sensitive platinum resistor with a resistance of 100 Ω at 0 °C (32 °F) and a temperature coefficient is $\alpha = 0.003851 \text{ } ^\circ\text{C}^{-1}$.

There are generally two different kinds of platinum resistance thermometers:

- **Wire wound (WW):** Here, a double coil of fine, high-purity platinum wire is located in a ceramic support. This is then sealed top and bottom with a ceramic protective layer. Such resistance thermometers not only facilitate very reproducible measurements but also offer good long-term stability of the resistance/temperature characteristic within temperature ranges up to 600 °C (1 112 °F). This type of sensor is relatively large in size and it is comparatively sensitive to vibrations.
- **Thin film platinum resistance thermometers (TF):** A very thin, ultrapure platinum layer, approx. 1 μm thick, is vaporized in a vacuum on a ceramic substrate and then structured photolithographically. The platinum conductor paths formed in this way create the measuring resistance. Additional covering and passivation layers are applied and reliably protect the thin platinum layer from contamination and oxidation even at high temperatures.

The primary advantages of thin-film temperature sensors over wire wound versions are their smaller sizes and better vibration resistance. A relatively low principle-based deviation of the resistance/temperature characteristic from the standard characteristic of IEC 60751 can frequently be observed among TF sensors at high temperatures. As a result, the tight limit values of tolerance category A as per IEC 60751 can only be observed with TF sensors at temperatures up to approx. 300 °C (572 °F). For this reason, thin-film sensors are generally only used for temperature measurements in ranges below 400 °C (932 °F).

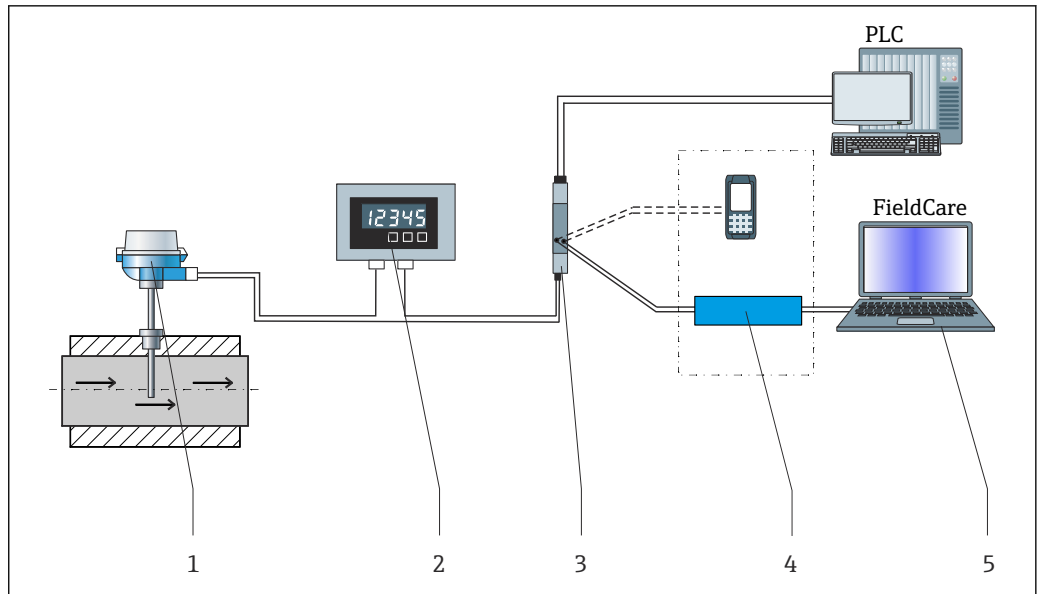
Measuring system

Endress+Hauser offers a complete portfolio of optimized components for the temperature measuring point – everything you need for the seamless integration of the measuring point into the overall facility. This includes:

- Power supply unit/barrier
- Display units
- Overvoltage protection



For more information, see the brochure 'System Components - Solutions for a Complete Measuring Point' (FA00016K)



1 Example of application, measuring point layout with additional Endress+Hauser components

- 1 Installed thermometer with HART® communication protocol
- 2 RIA15 loop powered process display - It is integrated in the current loop and displays the measuring signal or HART® process variables in digital form. The process display unit does not require an external power supply. It is powered directly from the current loop. More information on this can be found in the Technical Information.
- 3 Active barrier RN42 - The RN42 (17.5 V_{DC}, 20 mA) active barrier has a galvanic isolated output for supplying voltage to loop powered transmitters. The universal power supply works with an input supply voltage of 24 to 230 V AC/DC, 0/50/60 Hz, which means that it can be used in all international power grids. More information on this can be found in the Technical Information.
- 4 Communication examples: HART® handheld communicator FieldXpert, Commubox FXA195 for intrinsically safe HART® communication with FieldCare via the USB interface, Bluetooth® technology with SmartBlue App.
- 5 FieldCare is a FDT-based plant asset management tool from Endress+Hauser, more details see section 'accessories'.

Equipment architecture


The single and duplex element RTDs are designed to measure temperature in a variety of process and laboratory applications. These RTDs are specifically designed for use in two different process temperature ranges and they will provide accurate and repeatable temperature measurement through a broad range of -200 to 600 °C (-328 to 1 112 °F). Low range thin film RTDs -50 to 200 °C (-58 to 392 °F) are constructed using silver plated copper internal leads, PTFE wire insulations with potting compounds to resist moisture penetration. High range RTDs -200 to 600 °C (-328 to 1 112 °F) are constructed with nickel internal leads inside swaged MgO insulated cable to allow higher temperature measurements at the RTD element and to provide higher temperature lead protection along the sheath.

Input

Measured variable Temperature (temperature-linear transmission behavior)

Measuring range	Construction	Model code (class and type of sensor)	max. range
Low temperature range		TH13-_____(A/C/E/G/J/L)_____	-50 to 200 °C (-58 to 392 °F)
		TH14-_____(A/C/E/G/J/L)_____	
		TH15-_____(A/C/E/G/J/L)_____	
High temperature range		TH13-_____(B/D/F/H/K/M)_____	-200 to 600 °C (-328 to 1 112 °F)
		TH14-_____(B/D/F/H/K/M)_____	
		TH15-_____(B/D/F/H/K/M)_____	

Construction	Model code (class and type of sensor)	max. range
Pt100 thin-film, iTHERM StrongSens, vibration- resistant > 60g	TH13- _____ (S/T/U/V) _____	-50 to +500 °C (-58 to +932 °F)
	TH14- _____ (S/T/U/V) _____	
	TH15- _____ (S/T/U/V) _____	

 Options J, K, L, M are duplex platinum elements of two sensors inside the same sheath.

Output

Output signal

Generally, the measured value can be transmitted in one of two ways:

- Directly-wired sensors - sensor measured values forwarded without a transmitter.
- Via all common protocols by selecting an appropriate Endress+Hauser iTEMP temperature transmitter. All the transmitters listed below are mounted directly in the terminal head or as field transmitter and wired with the sensory mechanism.

Family of temperature transmitters

Thermometers fitted with iTEMP transmitters are an installation-ready complete solution to improve temperature measurement by significantly increasing measurement accuracy and reliability, when compared to direct wired sensors, as well as reducing both wiring and maintenance costs.

4 to 20 mA head transmitters

They offer a high degree of flexibility, thereby supporting universal application with low inventory storage. The iTEMP transmitters can be configured quickly and easily at a PC. Endress+Hauser offers free configuration software which can be downloaded from the Endress+Hauser Website.

HART® head transmitters

The iTEMP transmitter is a 2-wire device with one or two measuring inputs and one analog output. The device not only transfers converted signals from resistance thermometers and thermocouples, it also transfers resistance and voltage signals using HART® communication. Swift and easy operation, visualization and maintenance using universal configuration software like FieldCare, DeviceCare or FieldCommunicator 375/475. Integrated Bluetooth® interface for the wireless display of measured values and configuration via E+H SmartBlue (app), optional.

PROFIBUS® PA head transmitters

Universally programmable iTEMP transmitter with PROFIBUS® PA communication. Conversion of various input signals into digital output signals. High measurement accuracy over the complete ambient temperature range. PROFIBUS PA functions and device-specific parameters are configured via fieldbus communication.

FOUNDATION Fieldbus™ head transmitters

Universally programmable iTEMP transmitter with FOUNDATION Fieldbus™ communication. Conversion of various input signals into digital output signals. High measurement accuracy over the complete ambient temperature range. All iTEMP transmitters are approved for use in all the main process control systems. The integration tests are performed in Endress+Hauser's 'System World'.

Head transmitter with PROFINET® and Ethernet-APL

The iTEMP transmitter is a 2-wire device with two measurement inputs. The device not only transfers converted signals from resistance thermometers and thermocouples, it also transfers resistance and voltage signals using the PROFINET® protocol. Power is supplied via the 2-wire Ethernet connection according to IEEE 802.3cg 10Base-T1. The iTEMP transmitter can be installed as an intrinsically safe electrical apparatus in Zone 1 hazardous areas. The device can be used for instrumentation purposes in the terminal head form B (flat face) according to DIN EN 50446.

Head transmitter with IO-Link®

The iTEMP transmitter is an IO-Link® device with a measurement input and an IO-Link® interface. It offers a configurable, simple and cost-effective solution thanks to digital communication via IO-Link®. The device is mounted in a terminal head form B (flat face) as per DIN EN 5044.

Advantages of the iTEMP transmitters:

- Double or single sensor input (optionally for certain transmitters)
- Attachable display (optionally for certain transmitters)
- Unsurpassed reliability, accuracy and long-term stability in critical processes

- Mathematical functions
- Monitoring of the thermometer drift, sensor backup functionality, sensor diagnostic functions
- Sensor-transmitter matching based on Callendar van Dusen coefficients (CvD).

Galvanic isolation

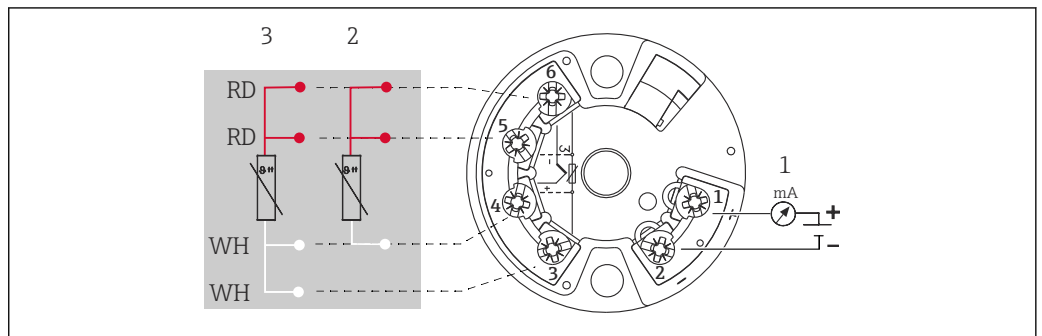
Galvanic isolation of Endress+Hauser iTEMP transmitters

Transmitter type	Sensor
TMT162 HART® Field transmitter	U = 2 kV AC
TMT71	
TMT72 HART®	
TMT82 HART®	
TMT84 PA	
TMT85 FF	
TMT142B	

Power supply

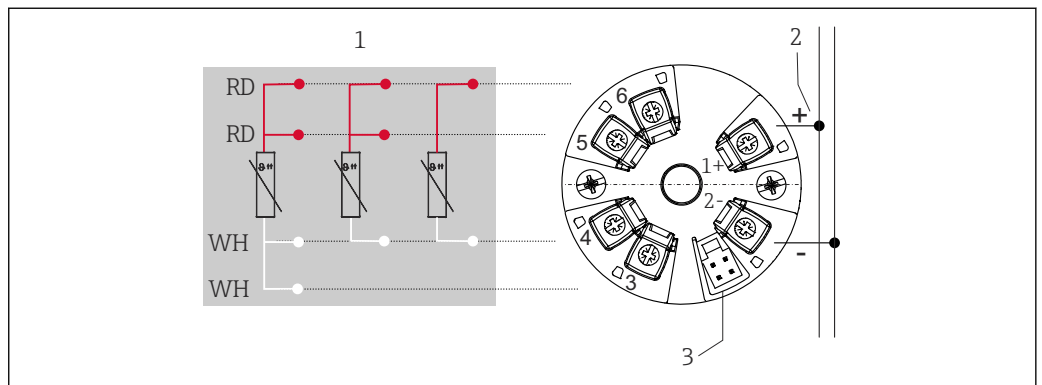
Terminal assignment

Type of sensor connection



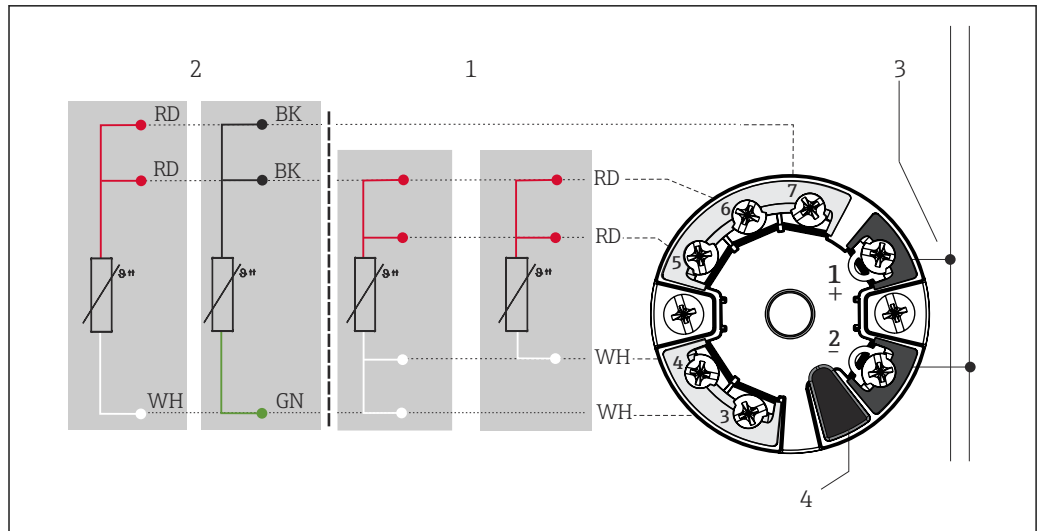
2 Head mounted transmitter TMT18x (single input)

- 1 Power supply head transmitter and analog output 4 to 20 mA or bus connection
- 2 3-wire
- 3 4-wire



3 Head mounted transmitter TMT31 (single input)

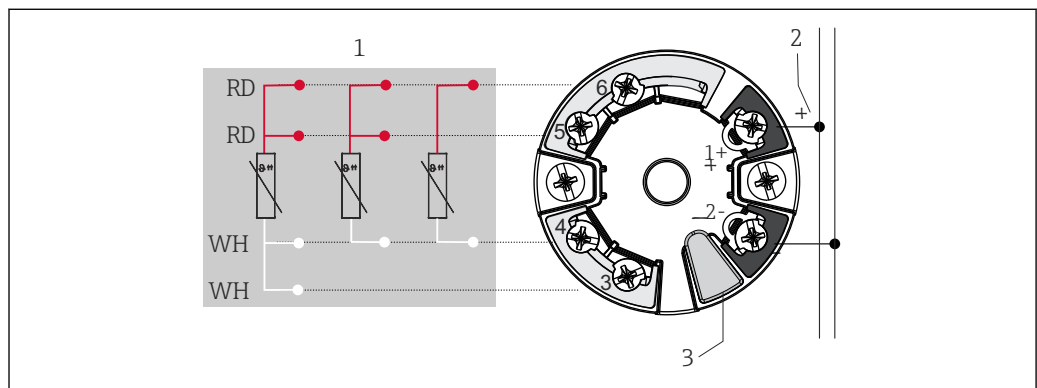
- 1 RTD sensor input: 4-, 3- and 2-wire
- 2 Power supply
- 3 CDI interface



A0045599

4 Head mounted transmitter TMT8x (dual input)

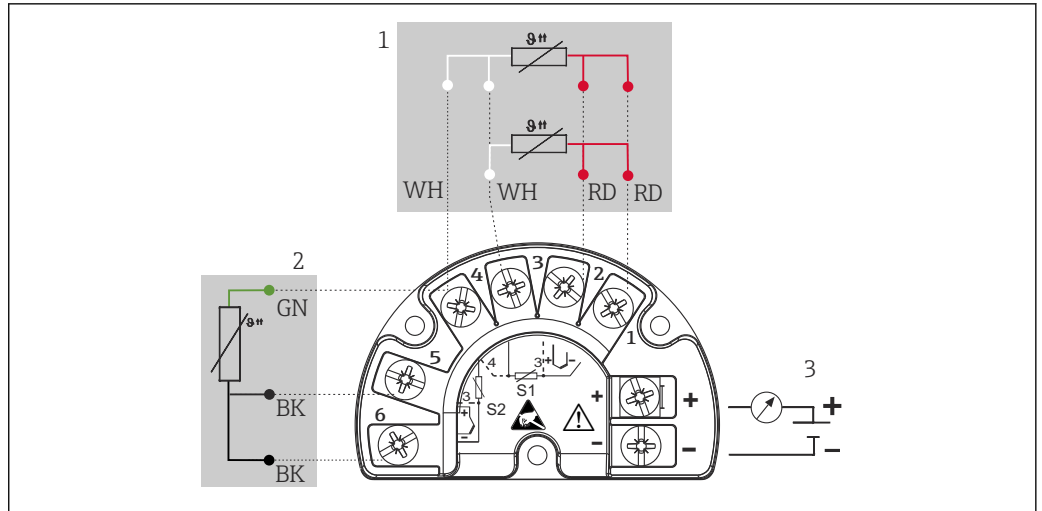
- 1 Sensor input 1, RTD, 4- and 3-wire
- 2 Sensor input 2, RTD, 3-wire
- 3 Bus connection and supply voltage
- 4 Display connection



A0045464

5 Head mounted transmitter TMT7x (single input)

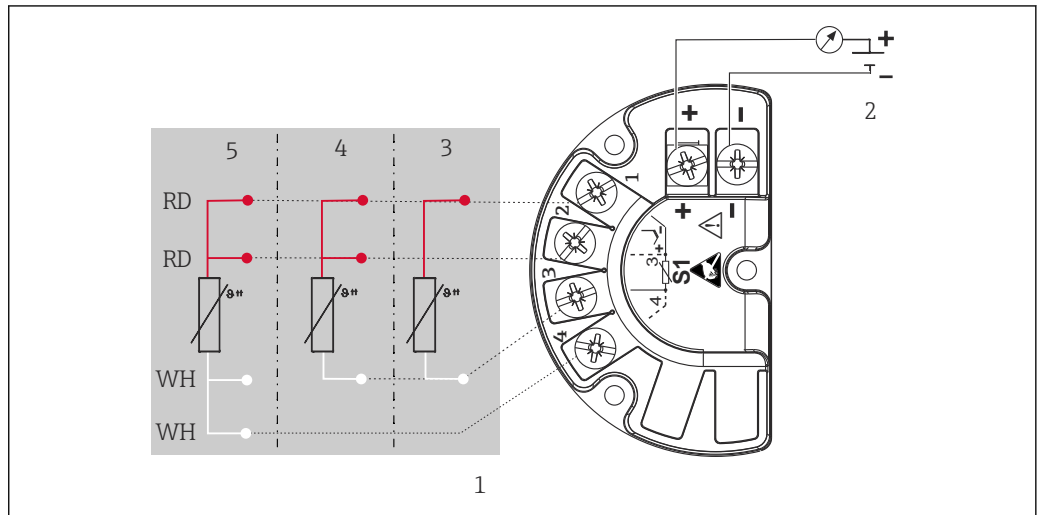
- 1 Sensor Input
- 2 Bus connection and supply voltage
- 3 Display connection



A0045732

6 Field mounted transmitter TMT162 (dual input)

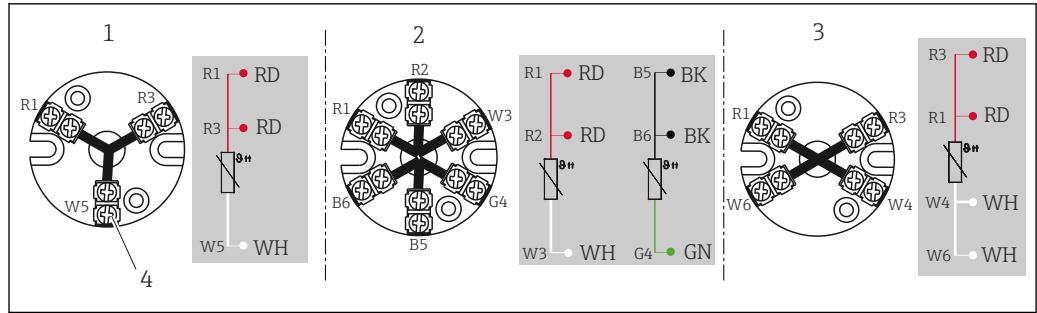
- 1 Sensor 1
- 2 Sensor 2 (not TMT142B)
- 3 Power supply field transmitter and analog output 4 to 20 mA or bus connection



A0045733

7 Field mounted transmitter TMT142B (single Input)

- 1 Sensor input RTD
- 2 Power supply field transmitter and analog output 4 to 20 mA, HART®-Signal
- 3 2-wire
- 4 3-wire
- 5 4-wire



A0045627

8 Terminal block mounted

- 1 3-wire single
- 2 2 x 3-wire single
- 3 4-wire single
- 4 Outside screw

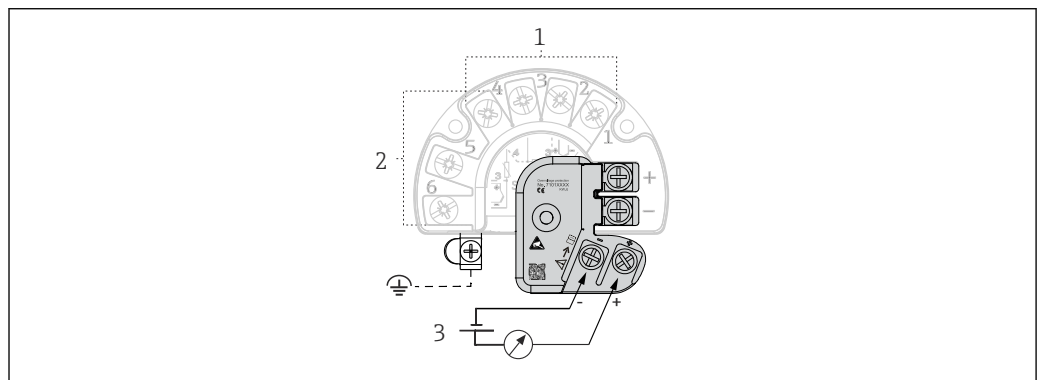
i The blocks and transmitters are shown as they sit inside the heads in reference to the conduit opening.

Integrated overvoltage protection

The integrated overvoltage protection module can be ordered as an optional extra ¹⁾. The module protects the electronics from damage from overvoltage. Overvoltage occurring in signal cables (e.g. 4 to 20 mA, communication lines (fieldbus systems) and power supply is diverted to ground. The functionality of the transmitter is not affected as no problematic voltage drop occurs.

Connection data:

Maximum continuous voltage (rated voltage)	$U_C = 42 V_{DC}$
Nominal current	$I = 0.5 A$ at $T_{amb.} = 80\text{ }^\circ C$ (176 °F)
Surge current resistance <ul style="list-style-type: none"> ▪ Lightning surge current D1 (10/350 μs) ▪ Nominal discharge current C1/C2 (8/20 μs) 	<ul style="list-style-type: none"> ▪ $I_{imp} = 1\text{ kA}$ (per wire) ▪ $I_n = 5\text{ kA}$ (per wire) ▪ $I_n = 10\text{ kA}$ (total)
Temperature range	-40 to +80 °C (-40 to +176 °F)
Series resistance per wire	1.8 Ω , tolerance $\pm 5\%$



A0045614

9 Electrical connection of the overvoltage protection

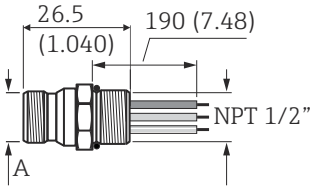
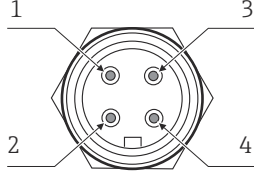
- 1 Sensor 1
- 2 Sensor 2
- 3 Bus connection and supply voltage

1) Available for the field transmitter with HART® 7 specification

Grounding

The device must be connected to the potential equalization. The connection between the housing and the local ground must have a minimum cross-section of 4 mm² (13 AWG) . All ground connections must be secured tightly.

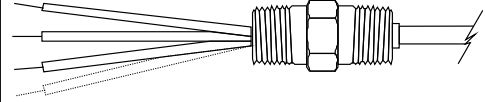
Fieldbus connector

Type (dimensions in mm (in))	Specification		
<p>Fieldbus connector to PROFIBUS® -PA or FOUNDATION Fieldbus™</p>  <p>A M12 on PROFIBUS® -PA connector or 7/8-16 UNC on FOUNDATION Fieldbus™ connector</p> <p style="text-align: right;"><small>A0028063</small></p>	<ul style="list-style-type: none"> Ambient temperature: -40 to 150 °C (-40 to 300 °F) Degree of protection IP 67 <p>Wiring diagram:</p>  <table border="1" style="width: 100%; border-collapse: collapse;"> <tr> <td style="width: 50%; vertical-align: top;"> <p>PROFIBUS® -PA</p> <p>Pos. 1: grey (shield)</p> <p>Pos. 2: brown (+)</p> <p>Pos. 3: blue (-)</p> <p>Pos. 4: not connected</p> </td> <td style="width: 50%; vertical-align: top;"> <p>FOUNDATION Fieldbus™</p> <p>Pos. 1: blue (-)</p> <p>Pos. 2: brown (+)</p> <p>Pos. 3: not connected</p> <p>Pos. 4: ground (green/yellow)</p> </td> </tr> </table> <p style="text-align: right;"><small>A0006023</small></p>	<p>PROFIBUS® -PA</p> <p>Pos. 1: grey (shield)</p> <p>Pos. 2: brown (+)</p> <p>Pos. 3: blue (-)</p> <p>Pos. 4: not connected</p>	<p>FOUNDATION Fieldbus™</p> <p>Pos. 1: blue (-)</p> <p>Pos. 2: brown (+)</p> <p>Pos. 3: not connected</p> <p>Pos. 4: ground (green/yellow)</p>
<p>PROFIBUS® -PA</p> <p>Pos. 1: grey (shield)</p> <p>Pos. 2: brown (+)</p> <p>Pos. 3: blue (-)</p> <p>Pos. 4: not connected</p>	<p>FOUNDATION Fieldbus™</p> <p>Pos. 1: blue (-)</p> <p>Pos. 2: brown (+)</p> <p>Pos. 3: not connected</p> <p>Pos. 4: ground (green/yellow)</p>		

Wire specifications

24 AWG, 19 strand silver plated copper with 0.025 mm (0.010 in) PTFE extruded outer.

Electrical connection
Flying leads, standard 3" for wiring in terminal head, head mounted transmitter or terminal block mounted
Flying leads, 5½" for wiring with TMT162 or TMT142 assemblies

Design of leads
<p>Flying leads 3" or 5½" with brass crimped sleeves</p>  <p style="text-align: right;"><small>A0026119</small></p>

Performance characteristics

Response time

63% response time per ASTM E644

RTD assembly TH15 without thermowell

Construction	RTD Ø ¼"
High temperature range	3 s
Low temperature range	9 s

Response time for the sensor assembly without transmitter.

Response time examples for RTD assemblies with thermowell TH13 and TH14

Construction	Stepped thermowell	Tapered thermowell	¾" straight thermowell
High temperature range	20 s	25 s	30 s
Low temperature range	25 s	30 s	35 s

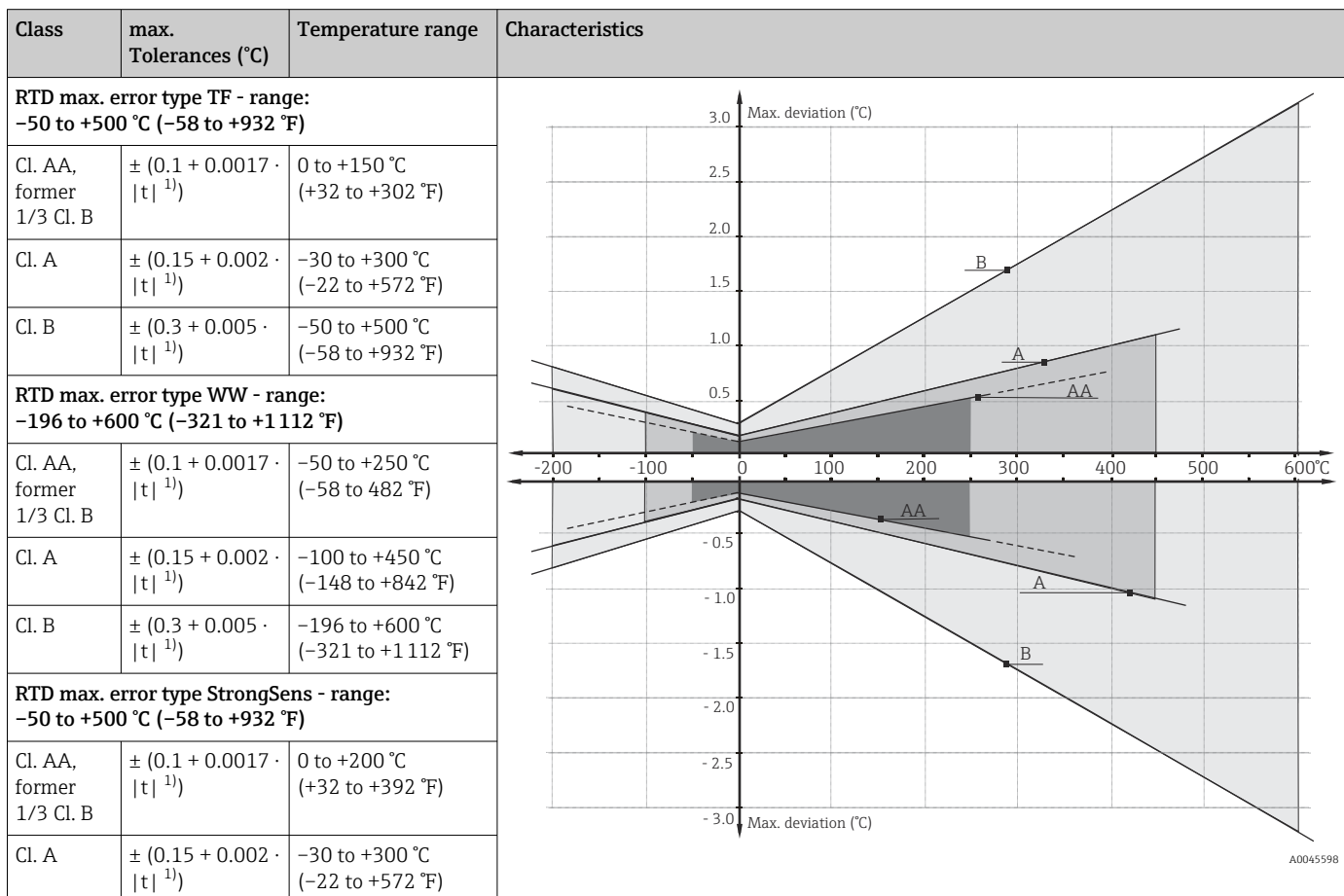
Response times for RTD assemblies with thermowell are provided for general design guidance without transmitter.

When the temperature of a process media changes, the output signal of a RTD assembly follows this change after a certain time delay. The physical cause is the time related to heat transfer from the process media through the thermowell and the insert to the sensor element (RTD). The manner in which the reading follows the change in temperature of the assembly over time is referred to as the response time. Variables that influence or impact the response time are:

- Wall thickness of thermowell
- Spacing between RTD insert and thermowell
- Sensor packaging
- Process parameters such as media, flow velocity, etc.

Accuracy

RTD corresponding to IEC 60751



1) |t| = absolute value °C

For measurement errors in °F, calculate using equations above in °C, then multiply the outcome by 1.8.

Transmitter specifications

	TMT82 HART®/ TMT84 PA / TMT85 FF	TMT180 Pt100 PCP	TMT181 multifunctional PCP	TMT182 HART®	TMT162 HART® Field transmitter	TMT142
Measurement accuracy	± typ. 0.25 °C (0.45 °F)	0.2 °C (0.36 °F), optional 0.1 °C (0.18 °F) or 0.08% ¹⁾	0.5 °C (0.9 °F) or 0.08% ¹⁾		≤ 0.105 °C (0.19 °F)	0.2 °C (0.36 °F)
Sensor current	I ≤ 0.3 mA	I ≤ 0.6 mA		I ≤ 0.2 mA	I ≤ 0.3 mA	

1) % is related to the adjusted measurement range (the larger value applies)

Transmitter long-term stability

≤ 0.1 °C (0.18 °F)/year or ≤ 0.05% / year
Data under reference conditions; % relates to the set span. The larger value applies.

Insulation resistance

Insulation resistance between terminals and probe sheath, test voltage 250 V.

- ≥ 100 MΩ at 25 °C (77 °F)
- ≥ 10 MΩ at 300 °C (572 °F)

Self heating

RTD elements are not self-powered and require a small current be passed through the device to provide a voltage that can be measured. Self-heating is the rise of temperature within the element itself, caused by the current flowing through the element. This self-heating appears as a measurement error and is affected by the thermal conductivity and velocity of the process being measured; it is negligible when an Endress+Hauser iTEMP temperature transmitter is connected.

Calibration specifications

The manufacturer provides comparison temperature calibrations from -20 to +300 °C (-4 to +573 °F) on the ITS-90 (International Temperature Scale). Calibrations are traceable to standards maintained by the National Institute of Standards and Technology (NIST). Calibration services are in conformance with ASTM E220. The report of calibration is referenced to the serial number of the RTD assembly.

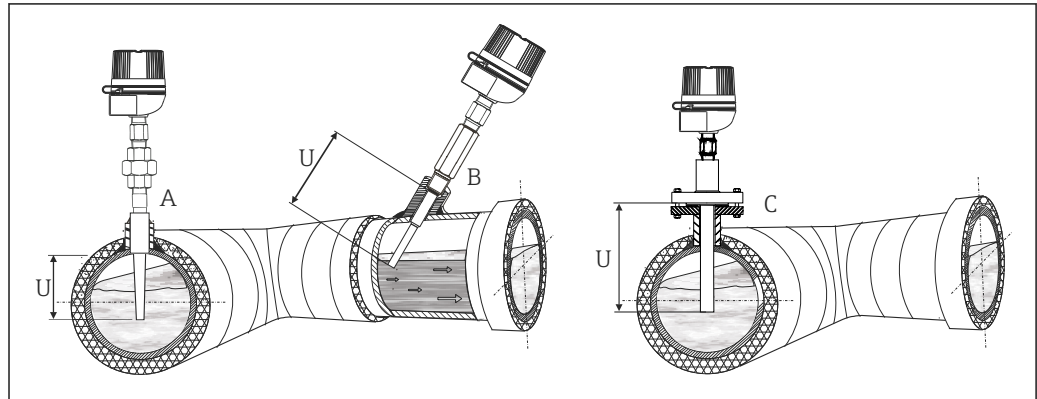
Three point calibrations are provided, given that the specified temperatures are within the recommended range and the minimum length requirements are met as specified. The minimum length is based on overall length 'x' of the spring loaded insert.

Installation

Orientation

No restrictions for installation orientation.

Installation instructions



A0025312

10 Examples for pipe installation - In pipes with a small cross section the sensor tip should reach or extend slightly past the center line of the pipe (=U).

- A TH13 assembly socket weld installation
- B Threaded, tilted installation of TH13 assembly
- C Flange installation of TH14 assembly

Immersion

Minimum immersion per ASTM E644, $\Delta T \leq 0.05 \text{ }^\circ\text{C}$ (0.09 $^\circ\text{F}$)

For temperature assemblies with thermowell (TH13 and TH14) the minimum immersion is the depth to which the thermowell is immersed in the medium, measured from the tip. To minimize errors from ambient temperature the following minimum immersion lengths are recommended:

Construction	Minimum Immersion (in)
Stepped thermowell	2½"
Tapered thermowell	4½"
¾" straight thermowell	4"
Weld in thermowell	4½"

Environment

Ambient temperature range

Terminal head	Temperature in $^\circ\text{C}$ ($^\circ\text{F}$)
Without mounted head transmitter	Depends on the terminal head used and the cable gland or fieldbus connector, see 'Terminal heads' section
With mounted head transmitter	-40 to 85 $^\circ\text{C}$ (-40 to 185 $^\circ\text{F}$) SIL mode (HART 7 transmitter): -40 to 70 $^\circ\text{C}$ (-40 to 158 $^\circ\text{F}$)
With mounted head transmitter and display	-20 to 70 $^\circ\text{C}$ (-4 to 158 $^\circ\text{F}$)
With mounted field transmitter	<ul style="list-style-type: none"> ▪ Without display: -40 to 85 $^\circ\text{C}$ (-40 to 185 $^\circ\text{F}$) ▪ With display and/or integrated overvoltage protection module: -40 to +80 $^\circ\text{C}$ (-40 to +176 $^\circ\text{F}$) ▪ SIL mode: -40 to +75 $^\circ\text{C}$ (-40 to +167 $^\circ\text{F}$)

Shock and vibration resistance

Sensor type	Vibration resistance for the sensor tip
iTHERM StrongSens Pt100 (TF)	> 600 m/s ² (60g)
Thin-film (TF) and Wire wound (WW) standard sensors	30 m/s ² (3g)

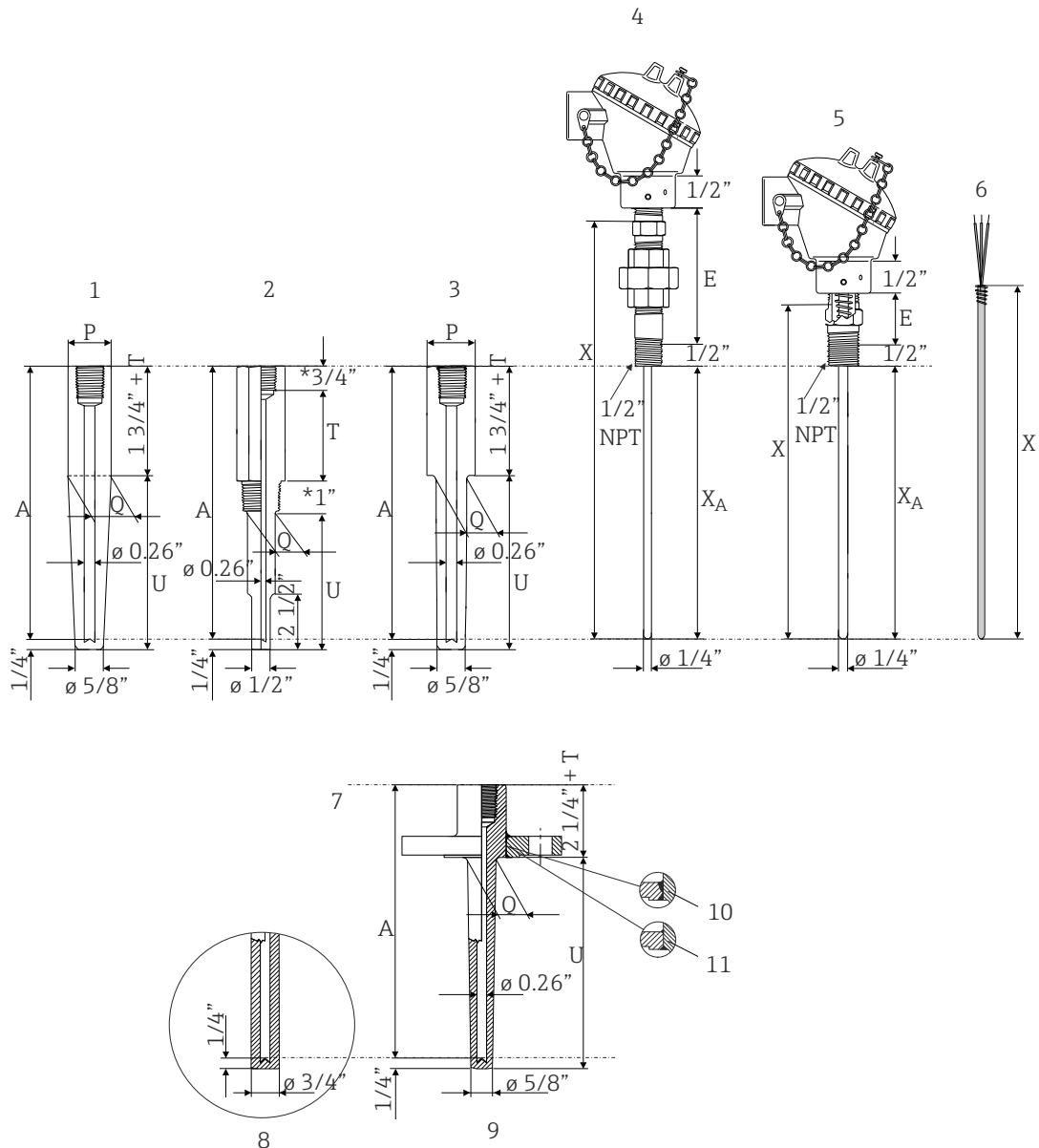
Process

Thermowells are used in measuring the temperature of a moving fluid in a pipe, where the stream exerts an appreciable force. The limiting value for the thermowells is governed by the temperature, the pressure and the speed of the medium, the immersion length, the materials of the thermowells and the medium, etc. Calculations for stress and vibration of thermowells can be done according to ASME PTC 19.3-2016 standard, please consult Endress+Hauser.

Mechanical construction

Design, dimensions

All dimensions in inches. For the values related to this graphic please refer to the tables and equations below.



A0045947

11 Dimensions of the sensor assemblies.

- 1 TH13 weld-in thermowell (tapered)
- 2 TH13 threaded thermowell (stepped)
- 3 TH13 socket weld thermowell (tapered)
- 4 TH15 extension, nipple-XP-union-nipple (NUN), without thermowell
- 5 TH15 extension hex nipple without thermowell
- 6 Spring loaded insert (TU111 or TS212)
- 7 TH14 flange thermowell (tapered)
- 8 Straight flange thermowell tip
- 9 Tapered flange thermowell tip
- 10 Full penetration weld thermowell
- 11 Standard weld thermowell
- E Extension length
- P Pipe size
- Q Thermowell root diameter
- T Lag dimension
- U Thermowell immersion length

XA Immersion length RTD sensor
 A Drill depth of thermowell
 X Overall insert length

 The spring travel of the insert is 1/2".

 Tolerance of XA length = +/- 1/4".

All thermowells are marked with a material ID, CRN (Canadian Registration Number) and heat number.

Dimensions of TH13							
U	E	T	Process connection	Shape of Thermowell	Ø Q1	Ø Q2	
63.5 mm (2.5 in) 114.3 mm (4.5 in) 190.5 mm (7.5 in) 266.7 mm (10.5 in) specified length 50.8 to 609.6 mm (2 to 24 in) in 1/2" increments	Material: Steel or 316	76.2 mm (3 in) or specified length 25.4 to 152.4 mm (1 to 6 in) in 1/2" increments	1/2" NPT	Stepped	16 mm (5/8 in)	12.7 mm (1/2 in)	
				Straight	16 mm (5/8 in)	16 mm (5/8 in)	
	Hex nipple = 25.4 mm (1 in)		3/4" NPT	Stepped	19.05 mm (3/4 in)	12.7 mm (1/2 in)	
				Straight	19.05 mm (3/4 in)	19.05 mm (3/4 in)	
	Nipple Union Nipple (NUN) = 101.6 mm (4 in) 177.8 mm (7 in)		1" NPT	Tapered	22.3 mm (7/8 in)	16 mm (5/8 in)	
				Stepped	22.3 mm (7/8 in)	12.7 mm (1/2 in)	
				Straight	22.3 mm (7/8 in)	22.3 mm (7/8 in)	
				Tapered	26.9 mm (1 1/16 in)	16 mm (5/8 in)	
				3/4" Socket weld	Stepped	19.05 mm (3/4 in)	12.7 mm (1/2 in)
					Straight	19.05 mm (3/4 in)	19.05 mm (3/4 in)
	Tapered		22.3 mm (7/8 in)		16 mm (5/8 in)		
	1" Socket weld		Stepped	22.3 mm (7/8 in)	12.7 mm (1/2 in)		
			Straight	25.4 mm (1 in)	25.4 mm (1 in)		
			Tapered	25.4 mm (1 in)	16 mm (5/8 in)		
	3/4" weld in		1" weld in	Tapered	26.6 mm (1.050 in)	16 mm (5/8 in)	
				Tapered	33.4 mm (1.315 in)	16 mm (5/8 in)	

Immersion length RTD sensor = Thermowell drilled length XA = A + U + 38.1 mm (1.5 in) + T
 Insert overall length X = A + E

P = Pipe size
 ■ Nom. 3/4"; Dia. = 1.050"
 ■ Nom. 1"; Dia. = 1.315"

Dimensions of TH14 Flange rating: ASME B16.5						
U	E	T	Flange size	Shape of thermowell	Ø Q1	Ø Q2
50.8 mm (2 in) 101.6 mm (4 in) 177.8 mm (7 in) 254 mm (10 in) specified length 50.8 to 609.6 mm (2 to 24 in) in 1/2" increments	Material: Steel or 316SS Hex nipple = 25.4 mm (1 in)	specified length 25.4 to 254 mm (1 to 10 in) 1/2" increments	1"	Stepped	19.05 mm (3/4 in)	12.7 mm (1/2 in)
				Straight	19.05 mm (3/4 in)	19.05 mm (3/4 in)
				Tapered	22.3 mm (7/8 in)	16 mm (5/8 in)
	Nipple Union Nipple (NUN) = 101.6 mm (4 in) 177.8 mm (7 in)		1 1/2" and larger	Stepped	19.05 mm (3/4 in)	12.7 mm (1/2 in)
Straight		19.05 mm (3/4 in)		19.05 mm (3/4 in)		

Dimensions of TH14 Flange rating: ASME B16.5						
U	E	T	Flange size	Shape of thermowell	Ø Q1	Ø Q2
				Tapered	26.9 mm (1 ¹ / ₁₆ in)	16 mm (5 ⁸ / ₈ in)
Immersion length RTD sensor - Thermowell drilled length XA = A = U + 50.8 mm (2 in) + T Insert overall length X = A + E						

Dimensions of TH15 (without thermowell)		Extension E
Immersion length	RTD sensor XA	Hex nipple = 25.4 mm (1 in) Nipple Union Nipple (NUN) = 101.6 mm (4 in) 177.8 mm (7 in)
	101.6 mm (4 in) 152.4 mm (6 in) 228.6 mm (9 in) 304.8 mm (12 in) 355.6 mm (14 in) specified length 4 to 101.6 mm (41 to 1041.4 in) in 1/2" increments	
	Spring travel of the insert = 1/2"	

Weight From 1 to 5.5 lbs

Material Process connections, thermowells and enclosures.
The temperatures for continuous operation specified in the following table are only intended as reference values for use of the various materials in air and without any significant compressive load. The maximum operation temperatures are reduced considerably in some cases where abnormal conditions such as high mechanical load occur or in aggressive media.

Material name	Short form	Recommended max. temperature for continuous use in air	Properties
AISI 316L/1.4404 1.4435	X2CrNiMo17-12-2 X2CrNiMo18-14-3	650 °C (1 200 °F) ¹⁾	<ul style="list-style-type: none"> ▪ Austenitic, stainless steel ▪ High corrosion resistance in general ▪ Particularly high corrosion resistance in chlorine-based and acidic, non-oxidizing atmospheres through the addition of molybdenum (e.g. phosphoric and sulfuric acids, acetic and tartaric acids with a low concentration) ▪ Increased resistance to intergranular corrosion and pitting ▪ Compared to 1.4404, 1.4435 has even higher corrosion resistance and a lower delta ferrite content
AISI 316/1.4401	X2CrNiMo17-12-2	650 °C (1 200 °F) ¹⁾	<ul style="list-style-type: none"> ▪ Austenitic, stainless steel ▪ High corrosion resistance in general ▪ Particularly high corrosion resistance in chlorine-based and acidic, non-oxidizing atmospheres through the addition of molybdenum (e.g. phosphoric and sulfuric acids, acetic and tartaric acids with a low concentration)

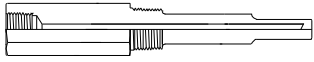

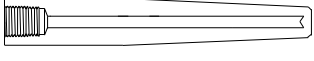
Material name	Short form	Recommended max. temperature for continuous use in air	Properties
AISI A105/1.0460	C22.8	450 °C (842 °F)	<ul style="list-style-type: none"> Heat-resistant steel Resistant in nitrogen-containing atmospheres an atmospheres that are low in oxygen; not suitable for acids or other aggressive media Often used in steam generators, water and steam pipes, pressure vessels
AlloyC276/2.4819	NiMo16Cr15W	1 100 °C (2 012 °F)	<ul style="list-style-type: none"> A nickel-based alloy with good resistance to oxidizing and reducing atmospheres, even at high temperatures Particularly resistant to chlorine gas and chloride as well as to many oxidizing mineral and organic acids

- 1) Can be used to a limited extent up to 800 °C (1472 °F) for low compressive loads and in non-corrosive media. Please contact your Endress+Hauser sales team for further information.

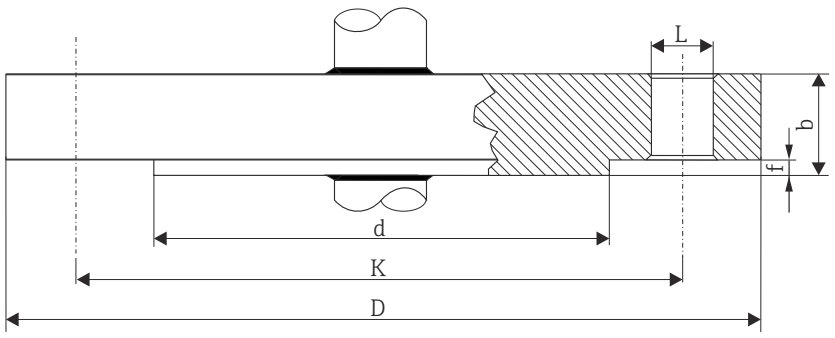
Process connection

The process connection is the means of connecting the thermometer to the process. The following process connections are available:

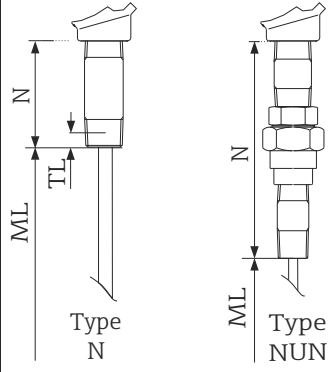
TH13

Thread	Version
 A0026110	NPT thread
	NPT 1/2"
	NPT 3/4"
 A0026111	NPS for socket weld
	NPS 3/4"
 A0026108	NPS for weld-in
	NPS 1"

TH14

Flange	
	
<p>For detailed information on the flange dimensions refer to the following flange standard: ANSI/ASME B16.5</p>	<p>The flange material must be the same as of the stem of the thermowell.</p>

TH15


Type	Thermowell connection	Extension neck lengths in mm (in)
	Type N	25.4 mm (1 in)
	Type NUN	101.6 mm (4 in) 177.8 mm (7 in)

Housing

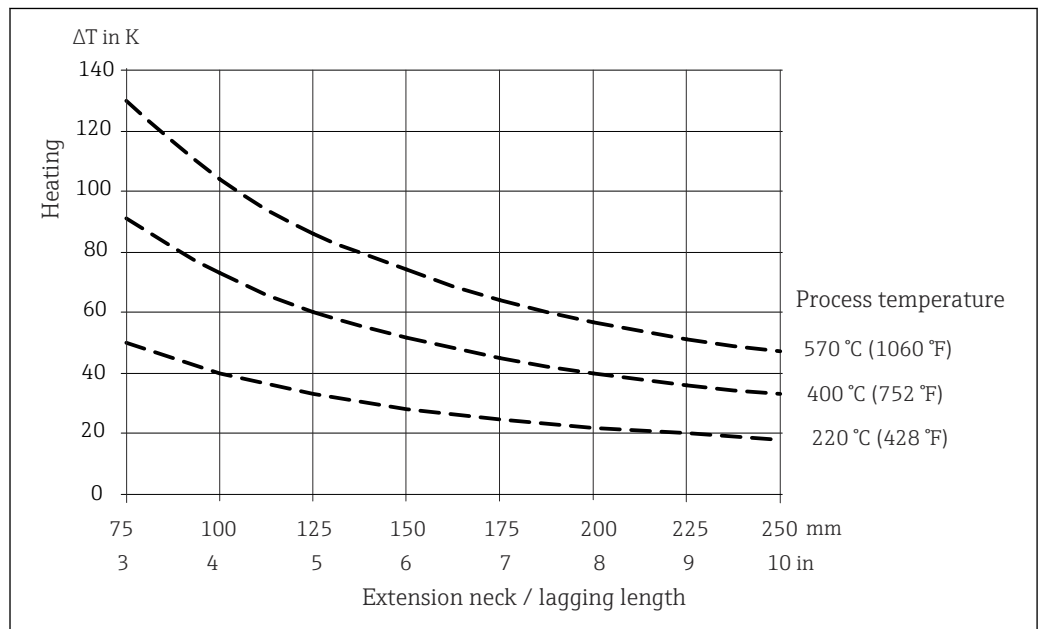
Terminal heads


All terminal heads have an internal shape and size in accordance with DIN EN 50446, flat face and a thermometer connection with a 1/2" NPT thread. All dimensions in mm (in). Specifications without head transmitter installed. For ambient temperatures with head transmitter installed, see the 'Environment' section.

As a special feature, Endress+Hauser offers terminal heads with optimized terminal accessibility for easy installation and maintenance.

 Some of the specifications listed below may not be available on this product line.

As illustrated in the following diagram, the length of the extension neck can influence the temperature in the terminal head. This temperature must remain within the limit values defined in the "Operating conditions" section.

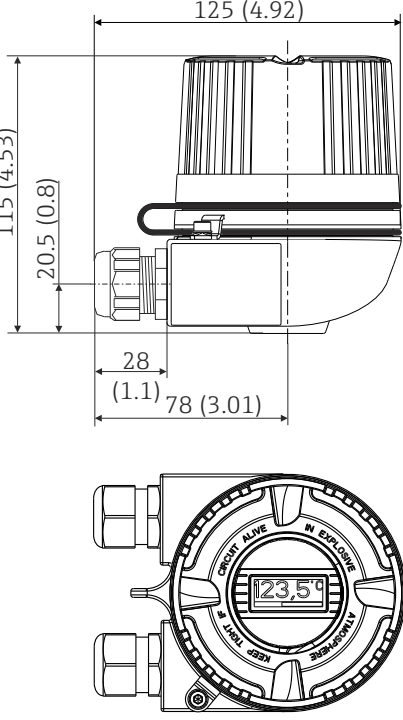


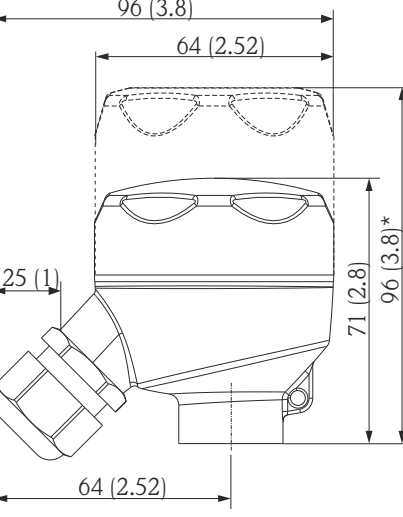
 12 Heating of the terminal head as a function of the process temperature. Temperature in terminal head = ambient temperature 20 °C (68 °F) + ΔT

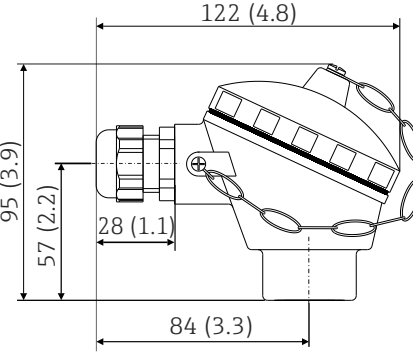
The diagram can be used to calculate the transmitter temperature.

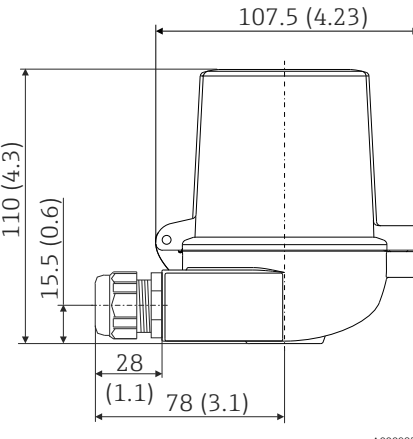
Example: At a process temperature of 220 °C (428 °F) and with a lagging length of 100 mm (3.94 in), the heat conduction is 40 K (72 °F). The transmitter temperature is therefore 40 K (72 °F) plus the ambient temperature, e.g. 25 °C (77 °F): 40 K (72 °F) + 25 °C (77 °F) = 65 °C (149 °F).

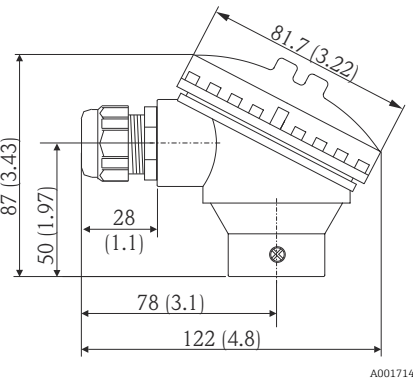
Result: The temperature of the transmitter is o.k., the length of the lagging is sufficient.

TA30H with display window in cover	Specification
 <p style="text-align: right; font-size: small;">A0009831</p>	<ul style="list-style-type: none"> ▪ Flameproof (XP) version, explosion-protected, captive screw cap, available with one or two cable entries ▪ Degree of protection: IP 66/68, NEMA Type 4x encl. Ex-version: IP 66/67 ▪ Temperature: -50 to +150 °C (-58 to +302 °F) for rubber seal without cable gland (observe max. permitted temperature of cable gland!) ▪ Material: <ul style="list-style-type: none"> ▪ Aluminum; polyester powder coated ▪ Stainless steel 316L without coating ▪ Klüber Syntheso Glep 1 dry-film lubricant ▪ Display window: single-pane safety glass according to DIN 8902 ▪ Thread: ½" NPT, ¾" NPT, M20x1.5, G½" ▪ Extension neck/thermowell connection: M20x1.5 or ½" NPT ▪ Color of aluminum head: blue, RAL 5012 ▪ Color of aluminum cap: gray, RAL 7035 ▪ Weight: <ul style="list-style-type: none"> ▪ Aluminum approx. 860 g (30.33 oz) ▪ Stainless steel approx. 2 900 g (102.3 oz) ▪ Head transmitter optionally available with TID10 display <p>i If the housing cover is unscrewed: Before tightening, clean the thread in the cover and housing base and lubricate if necessary (Recommended lubricant: Klüber Syntheso Glep 1)</p>

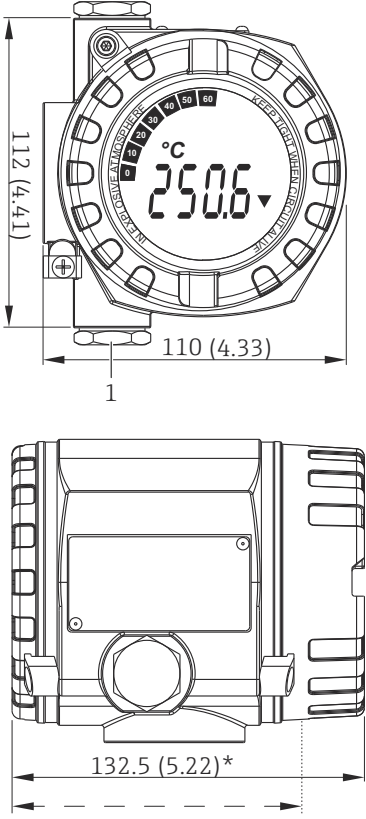
TA30R (optionally with display window in cover)	Specification
 <p style="text-align: right; font-size: small;">A0017145</p> <p>* Dimensions of version with display window in cover</p>	<ul style="list-style-type: none"> ▪ Degree of protection - standard version: IP69K (NEMA Type 4x encl.) ▪ Degree of protection - version with display window: IP66/68 (NEMA Type 4x encl.) ▪ Temperature: -50 to +130 °C (-58 to +266 °F) without cable gland ▪ Material: stainless steel 316L, abrasive-blasted or polished ▪ Seals: silicone, optional EPDM for applications free from paint-wetting impairment substances ▪ Display window: polycarbonate (PC) ▪ Cable entry thread ½" NPT and M20x1.5 ▪ Weight <ul style="list-style-type: none"> ▪ Standard version: 360 g (12.7 oz) ▪ Version with display window: 460 g (16.23 oz) ▪ Display window in cover optionally for head transmitter with display TID10 ▪ Protection armature connection: M24x1.5 or ½" NPT ▪ Ground terminal: internal as standard ▪ Available with 3-A marked sensors ▪ Not allowed for Class II and III applications

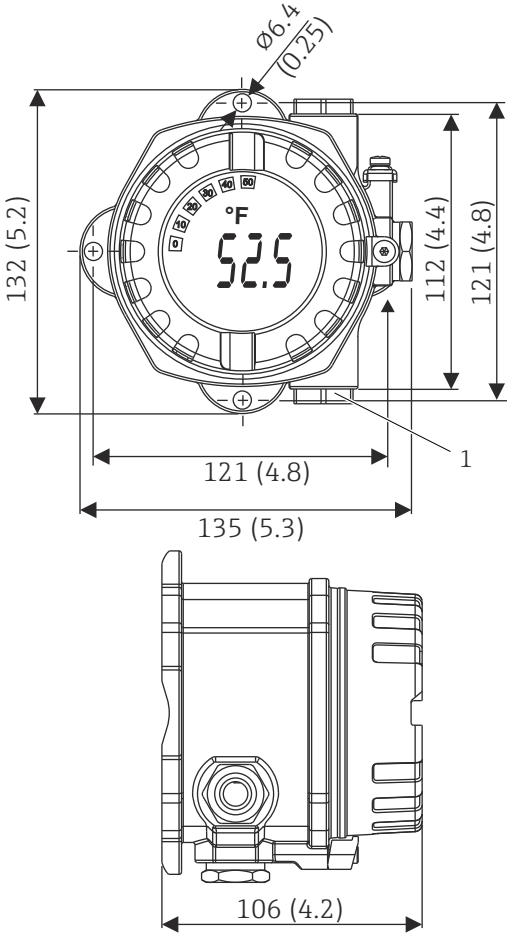
TU401	Specification
 <p style="text-align: right; font-size: small;">A0008669</p>	<ul style="list-style-type: none"> ■ Protection class: IP65 (NEMA Type 4x encl.) ■ Temperature: -40 to 130 °C (-40 to 266 °F) silicone, up to 100 °C (212 °F) rubber seal without cable gland (observe max. permitted temperature of the cable gland!) ■ Material: aluminum alloy with polyester or epoxy coating, rubber or silicone seal under the cover ■ Cable entry: ½" NPT, ¾" NPT or plug 7/8" FF ■ Protection armature connection: M24x1.5, G 1/2" or NPT 1/2" ■ Head color: blue, RAL 5012 ■ Cap color: gray, RAL 7035 ■ Weight: 300 g (10.58 oz)

TU401 (TA30D style)	Specification
 <p style="text-align: right; font-size: small;">A0009822</p>	<ul style="list-style-type: none"> ■ Available with one or two cable entries ■ Protection class: IP66/68 (NEMA Type 4x encl.) ■ Temperature: -50 to +150 °C (-58 to +302 °F) without cable gland ■ Material: aluminum, polyester powder coated ■ Seals: silicone ■ Threaded cable entry: G ½", ½" NPT and M20x1.5 ■ Protection armature connection: M24x1.5 ■ Two head transmitters can be mounted. In the standard version, one transmitter is mounted in the terminal head cover and an additional terminal block is installed directly on the insert. ■ Head color: blue, RAL 5012 ■ Cap color: gray, RAL 7035 ■ Weight: 390 g (13.75 oz) ■ Ground terminal, internal and external ■ With 3-A symbol

TU401 (TA30S style)	Specification
 <p style="text-align: right; font-size: small;">A0017146</p>	<ul style="list-style-type: none"> ■ Degree of protection: IP65 (NEMA Type 4x encl.) ■ Temperature: -40 to +85 °C (-40 to +185 °F) without cable gland ■ Material: polypropylene (PP), FDA-compliant, seals: O-ring EPDM ■ Cable entry thread: ¾" NPT, ½" NPT) or or plug 7/8" FF ■ Protective assembly connection: ½" NPT ■ Color: white ■ Weight: approx. 100 g (3.5 oz) ■ Ground terminal: only internal via auxiliary terminal <p style="background-color: yellow; margin: 5px 0;">⚠ CAUTION</p> <p>Potential electrostatic charging hazard</p> <ul style="list-style-type: none"> ▶ Not recommended for use in hazardous (classified) locations.

Field transmitters

Temperature field transmitter iTEMP TMT162	Specification
 <p data-bbox="507 1189 1027 1218">1 Instrument connection for direct mounting assembly</p> <p data-bbox="507 1240 963 1270">* Dimensions without display = 112 mm (4.41 in)</p>	<ul style="list-style-type: none"> ■ Separate electronics compartment and connection compartment ■ Protection class: IP67, NEMA type 4x ■ Material: Die-cast aluminum housing AlSi10Mg with powder coating on polyester base or stainless steel 316L ■ Display rotatable in 90° increments ■ Cable entry: 2x ½" NPT ■ Brilliant backlit display with ease of visibility in bright sunshine or pitch darkness ■ Gold plated terminals to avoid corrosion and additional measurement errors ■ SIL certification as per IEC 61508:2010 (HART-protocol)

Temperature field transmitter iTEMP TMT142B	Specification
 <p>1 Instrument connection for direct mounting assembly</p>	<ul style="list-style-type: none"> ■ Protection class: IP66/67, NEMA type 4x ■ Material: Die-cast aluminum housing AlSi10Mg with powder coating on polyester base or stainless steel 316L ■ Display rotatable in 90° increments ■ Integrated Bluetooth® interface for wireless measured value display and parameter configuration, optional ■ Brilliant backlit display with ease of visibility in bright sunshine or pitch darkness ■ Gold plated terminals to avoid corrosion and additional measurement errors

Certificates and approvals

Current certificates and approvals for the product are available at www.endress.com on the relevant product page:

1. Select the product using the filters and search field.
2. Open the product page.
3. Select **Downloads**.

Ordering information

Detailed ordering information is available from your nearest sales organization www.addresses.endress.com or in the Product Configurator at www.endress.com:

1. Select the product using the filters and search field.
2. Open the product page.
3. Select **Configuration**.



Product Configurator - the tool for individual product configuration

- Up-to-the-minute configuration data
- Depending on the device: Direct input of measuring point-specific information such as measuring range or operating language
- Automatic verification of exclusion criteria
- Automatic creation of the order code and its breakdown in PDF or Excel output format
- Ability to order directly in the Endress+Hauser Online Shop

Accessories

The accessories currently available for the product can be selected at www.endress.com:

1. Select the product using the filters and search field.
2. Open the product page.
3. Select **Spare parts & Accessories**.

Device-specific accessories

O-Ring	88x3 HNBR 70° Shore PTFE Order code: 71502617
Display fitt. kit field housing	Order code: 71310423
Spare Parts Kit Cover TA30R	XPT0004-
Cable gland	½" NPT, D4.5-8.5, IP 68 Order code: 51006845
Configuration kit TXU10	Configuration kit for PC-programmable transmitter with setup software and interface cable for PC with USB port Order code: TXU10-xx
Integrated overvoltage protection module	The module protects the electronics from overvoltage. Available for TMT162 housing (not T17 hygienic version).

Service-specific accessories

Applicator

Software for selecting and sizing Endress+Hauser measuring devices:

- Calculation of all the necessary data for identifying the optimum measuring device: e.g. pressure loss, accuracy or process connections.
- Graphic illustration of the calculation results

Administration, documentation and access to all project-related data and parameters over the entire life cycle of a project.

Applicator is available:

<https://portal.endress.com/webapp/applicator>

Configurator

Product Configurator - the tool for individual product configuration

- Up-to-the-minute configuration data
- Depending on the device: direct input of information specific to the measuring point, such as the measuring range or operating language
- Automatic verification of exclusion criteria
- Automatic creation of the order code and its breakdown in PDF or Excel output format
- Ability to order directly in the Endress+Hauser Online Shop

The Configurator is available at www.endress.com on the relevant product page:

1. Select the product using the filters and search field.
2. Open the product page.
3. Select **Configuration**.

FieldCare SFE500

FDT-based plant asset management tool

It can configure all smart field units in your system and helps you manage them. By using the status information, it is also a simple but effective way of checking their status and condition.



Technical Information TI00028S

DeviceCare SFE100

Configuration tool for HART, PROFIBUS and FOUNDATION Fieldbus field devices

DeviceCare is available for download at www.software-products.endress.com. You need to register in the Endress+Hauser software portal to download the application.



Technical Information TI01134S


System components

Accessories	Description
RIA14 Loop-powered field indicator	Excellent readable indication of a 4 to 20 mA signal on-site for a better process overview. For details, see "Technical Information", TI00143R
RN42 active barrier, wide range power supply	1-channel wide range supply and active barrier for safe isolation of 4 to 20 mA standard signal circuits. For details, see "Technical Information", TI01584K
RMA42 process indicator with control unit	Universal indicator, loop power supply, barrier and limit switch in one device. For details, see "Technical Information", TI00150R

Documentation

The following types of documentation are available on the product pages and in the Download Area of the Endress+Hauser website (www.endress.com/downloads) (depending on the selected device version):

Document	Purpose and content of the document
Technical Information (TI)	Planning aid for your device The document contains all the technical data on the device and provides an overview of the accessories and other products that can be ordered for the device.
Brief Operating Instructions (KA)	Guide that takes you quickly to the 1st measured value The Brief Operating Instructions contain all the essential information from incoming acceptance to initial commissioning.
Operating Instructions (BA)	Your reference document These Operating Instructions contain all the information that is required in the various life cycle phases of the device: from product identification, incoming acceptance and storage, to mounting, connection, operation and commissioning, through to troubleshooting, maintenance and disposal.
Description of Device Parameters (GP)	Reference for your parameters The document provides a detailed explanation of each individual parameter. The description is aimed at those who work with the device over the entire life cycle and perform specific configurations.

Document	Purpose and content of the document
Safety instructions (XA)	<p>Safety Instructions (XA) are supplied with the device, depending on the approval. These are an integral part of the Operating Instructions.</p> <p> The nameplate indicates which Safety Instructions (XA) apply to the device.</p>
Supplementary device-dependent documentation (SD/FY)	<p>Always comply strictly with the instructions in the relevant supplementary documentation. The supplementary documentation is an integral part of the device documentation.</p>



www.addresses.endress.com
