

Installation Instructions

Replacing the transmitter, non Ex/Zone 2/Div. 2/Ex db/Zone 1/Div. 1

Proline 10



Replacement of the transmitter, non-Ex/Zone 2/Div. 2, Ex db/Zone 1/Div. 1

Proline 10

Table of contents

| | | |
|----|--|----|
| 1 | Overview of replacement transmitters | 4 |
| 2 | Intended use | 5 |
| 3 | Personnel authorized to carry out repairs | 5 |
| 4 | Safety instructions | 6 |
| 5 | Symbols | 7 |
| 6 | Tools list | 8 |
| 7 | Removing the transmitter housing, non-Ex/Zone 2/Div. 2 | 8 |
| 8 | Removing the transmitter housing, Ex db/Zone1/Div. 1 | 11 |
| 9 | Replacing the transmitter, remote version | 25 |
| 10 | Electrical connection and commissioning | 27 |
| 11 | Final steps | 28 |
| 12 | Disposal | 28 |


1 Overview of replacement transmitters

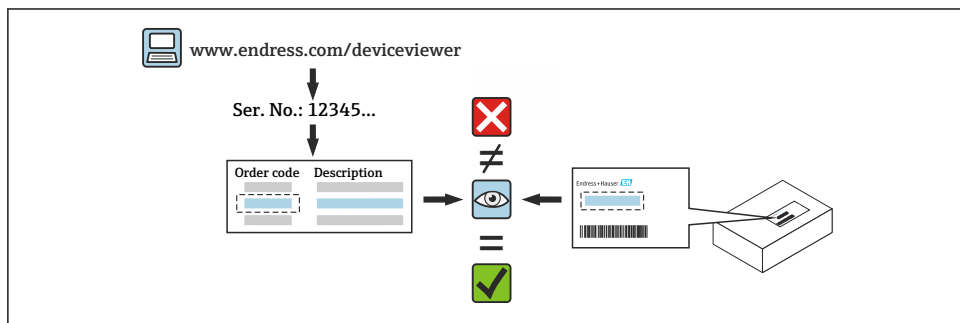
The Installation Instructions apply to the following replacement transmitters:

| Order number | Original replacement transmitter set | Device component |
|--------------------|--|--|
| 8XBBXX-***** | Transmitter set, compact Aluminum coated Non-Ex/Zone 2/Div. 2/ Zone 1 Ex db/ Div. 1 Promass 10 | 1 × transmitter Promass 10, complete Aluminum coated 1 × ISEM, 1 × O-ring 88.50 × 3.53 mm/3.5 × 0.14 in 1 × Installation Instructions |
| 5XBBXX-*****A**** | Transmitter set, compact Aluminum coated Non-Ex/Zone 2/Div. 2/ Zone 1 Ex db/ Div. 1 Promag 10 | 1 × transmitter Promag 10, complete, aluminum 1 × ISEM, 1 × O-ring 88.50 × 3.53 mm/3.5 × 0.14 in 1 × O-ring 29.87 × 1.78 mm/1.2 × 0.14 in 1 × Installation Instructions |
| 5XBBXX-*****p**** | Transmitter set, remote Aluminum coated Non-Ex/Zone 2/Div. 2/ Zone 1 Ex db/ Div. 1 Promag 10 | 1 × transmitter Promag 10, complete, aluminum with wall holder unit 1 × ISEM, 1 × O-ring, 88.50 × 3.53 mm/ 3.5 × 0.14 in 1 × O-ring, 29.87 × 1.78 mm/1.2 × 0.14 in 1 × Installation Instructions |
| 8XBBXX-*****D***** | Transmitter set, compact Polycarbonate Non-Ex/Zone 2/Div. 2 Zone 1 Ex db/ Div. 1 Promass 10 | 1 × transmitter Promass 10, complete Polycarbonate 1 × ISEM, 1 × O-ring 88.50 × 3.53 mm/3.5 × 0.14 in 1 × S+T-DAT 1 × Installation Instructions |
| 5XBBXX-*****M**** | Transmitter set, compact Polycarbonate Non-Ex/Zone 2/Div. 2 Zone 1 Ex db/ Div. 1 Promag 10 | 1 × Promag 10 transmitter, complete, polycarbonate 1 × ISEM, 1 × O-ring 88.50 × 3.53 mm/3.5 × 0.14 in 1 × O-ring 29.87 × 1.78 mm/1.2 × 0.14 in 1 × Installation Instructions |
| 5XBBXX-*****N**** | Transmitter set, remote Polycarbonate Non-Ex/Zone 2/Div. 2/ Zone 1 Ex db/ Div. 1 Promag 10 | 1 × Promag 10 transmitter, complete, polycarbonate with wall holder unit 1 × ISEM, 1 × O-ring, 88.50 × 3.53 mm/ 3.5 × 0.14 in 1 × O-ring, 29.87 × 1.78 mm/1.2 × 0.14 in 1 × S+T-DAT 1 × Installation Instructions |

2 Intended use


- A defective unit can only be replaced with a functioning unit of the same type.
- Use only original parts from Endress+Hauser.
- In the W@M Device Viewer, check if the spare part is suitable for the existing device.

 In some devices, an overview of spare parts is provided inside the device. If the spare part set is listed in the overview, it is not necessary to check the Device Viewer.



3 Personnel authorized to carry out repairs

Authorization to carry out repairs depends on the measuring device's approval type. The table below shows the authorized group of people in each case.

 Whoever carries out the repairs has full responsibility to ensure that work is carried out safely and to the required quality standard. He/she must also guarantee the safety of the device following repair.

| Measuring instrument approval | Persons authorized to carry out repairs ¹⁾ |
|-------------------------------|---|
| Without approval | 1, 2, 3 |
| With approval (e.g. IECEx) | 2, 3 |
| For custody transfer | 4 |

- 1) 1 = Qualified specialist on customer side, 2 = Service technician authorized by Endress+Hauser, 3 = Endress+Hauser (return measuring instrument to manufacturer)
 4 = Check with local approval center if installation/alteration must be performed under supervision.

4 Safety instructions

- Check whether the spare part matches the identification labeling on the measuring device, as described on the cover page.
- The spare part set and the Installation Instructions are used to replace a defective unit with a functioning unit of the same type.
Only use original parts from Endress+Hauser.
- Comply with national regulations regarding mounting, electrical installation, commissioning, maintenance and repair.
- The following requirements must be met with regard to specialized technical staff for the mounting, electrical installation, commissioning, maintenance and repair of the measuring devices:
 - Specialized technical staff must be trained in instrument safety.
 - They must be familiar with the individual operating conditions of the devices.
 - In the case of Ex-certified measuring devices, they must also be trained in explosion protection.
- The measuring device is energized! Risk of fatal injury from electric shock. Open the measuring device only when the device is de-energized.
- For measuring devices intended for use in hazardous locations, please observe the guidelines in the Ex documentation (XA).
- For measuring devices in safety-related applications in accordance with IEC 61508 or IEC 61511: following repair, re-commission the device in accordance with the Operating Instructions. Document the repair.
- Before removing the device: set the process to a safe state and purge the pipe of dangerous process substances.
- Danger of burns due to heated surfaces! Before commencing work: allow the system and measuring device to cool down to a touchable temperature.
- In the case of devices in custody transfer, the custody transfer status no longer applies once the seal has been removed.
- The Operating Instructions for the device must be followed.
- Risk of damaging the electronic components! Ensure you have a working environment protected from electrostatic discharge.
- After removing the electronics compartment cover: risk of electrical shock due to missing touch protection!
Turn the measuring device off before removing internal covers.
- Modifications to the measuring device are not permitted.
- Only open the housing for a brief period. Avoid foreign objects, moisture or dirt entering the housing.
- Replace defective seals only with original seals from Endress+Hauser.
- If threads are defective the measuring device must be repaired.
- Threads (e.g. of the electronics compartment cover and connection compartment cover) must be lubricated if an abrasion-proof dry lubricant is not available. Use acid-free, non-hardening lubricant.

- If, during repair work, spacing is reduced or the dielectric strength of the measuring device cannot be guaranteed, perform a test on completion of the work (e.g. high-voltage test in accordance with the manufacturer's instructions).
- Service plug:
 - Do not connect in potentially explosive atmospheres.
 - Only connect to Endress+Hauser service devices.
- Observe the instructions for transporting and returning the device outlined in the Operating Instructions.



Contact Endress+Hauser Service if you have questions: www.addresses.endress.com

5 Symbols

5.1 Safety symbols



This symbol alerts you to a dangerous situation. Failure to avoid this situation will result in serious or fatal injury.



This symbol alerts you to a potentially dangerous situation. Failure to avoid this situation can result in serious or fatal injury.



This symbol alerts you to a potentially dangerous situation. Failure to avoid this situation can result in minor or medium injury.


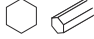




This symbol alerts you to a potentially harmful situation. Failure to avoid this situation can result in damage to the product or something in its vicinity.

5.2 Symbols for certain types of information

| Symbol | Meaning |
|---------------------------------------|--|
| | Permitted Procedures, processes or actions that are permitted. |
| | Forbidden Procedures, processes or actions that are forbidden. |
| | Tip Indicates additional information. |
| 1. , 2. , 3. ... | Series of steps |

6 Tools list

| | | | | |
|---|---|---|--|--|
|  <p>Hexagon key 8 mm, 22 mm, 24 mm</p> |  <p>Allen key 3 mm, 5 mm</p> |  <p>Torx screwdriver T10</p> |  <p>Slotted head screwdriver 0.5 x 3.5 mm</p> | <p>Use plastic- compatible grease, such as Klübersynth R 42-111.</p> |
|---|---|---|--|--|

7 Removing the transmitter housing, non-Ex/Zone 2/ Div. 2

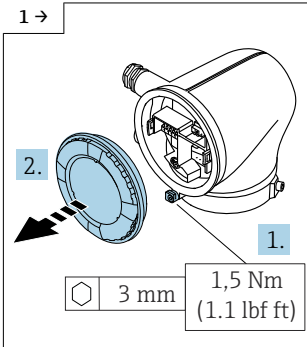
⚠ WARNING

The measuring device is energized!

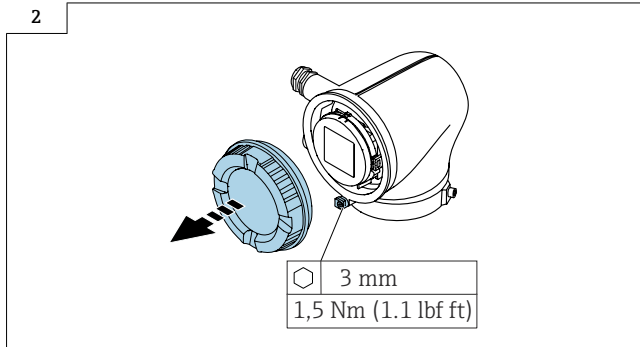
Risk of fatal injury from electric shock.

- ▶ Open the measuring device only when the device is de-energized.

7.1 Opening the cover of the aluminum transmitter housing

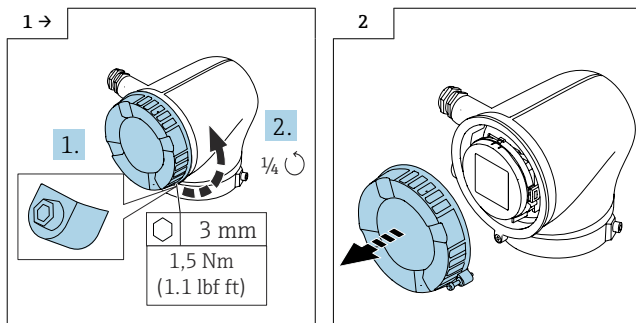


- ▶ **Transmitter housing with dummy cover**
- ▶ Loosen the screw and open the cover.



- ▶ **Transmitter housing with window cover**
- ▶ Loosen the screw and open the cover.

7.2 Opening the cover of the polycarbonate transmitter housing

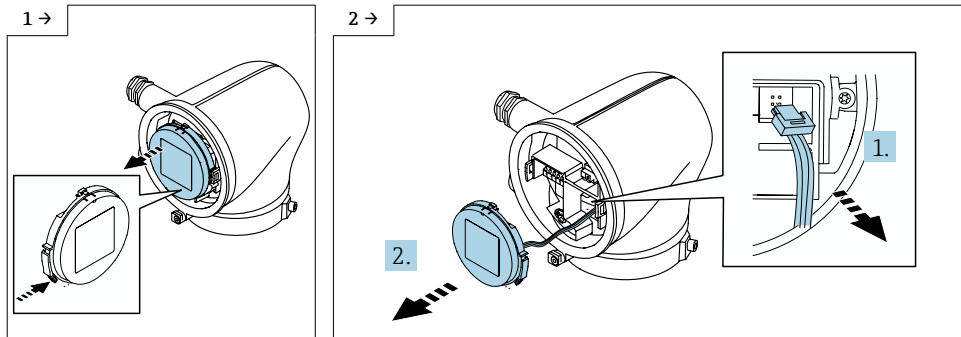


- ▶ Unscrew the screw from the locking mechanism until the cover can be turned. Then turn the cover counterclockwise by a 1/4 turn.

- ▶ Remove the cover.

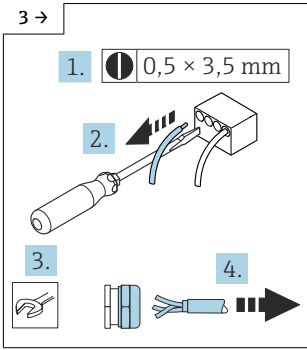
7.3 Removing the transmitter housing, non-Ex/Zone 2/Div. 2

Proceed as described in Section 7.1 → 8 or Section 7.2 → 9 and as illustrated in the graphics below.

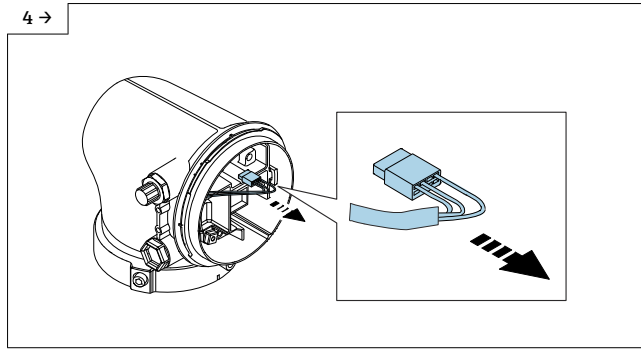


- ▶ **Transmitter housing with display module**
- ▶ Press the tab and remove the display module from the transmitter.

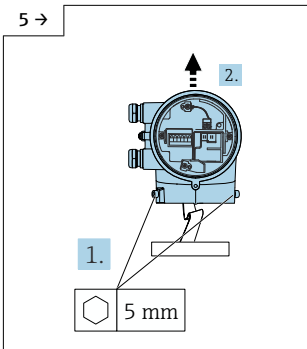
- ▶ **Transmitter housing with display module**
- ▶ Push up the tab above the plug, disconnect the plug and remove the display module.



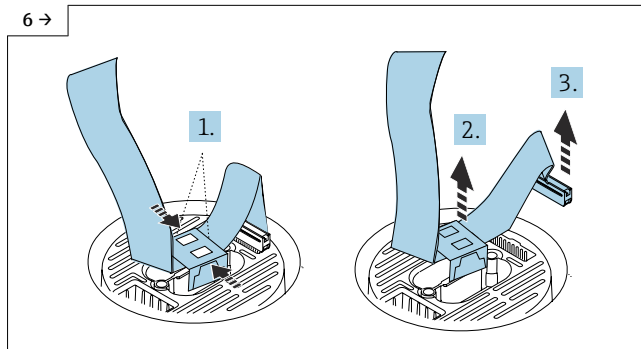
- ▶ Release the connecting cable, open the cable gland and remove the cable.



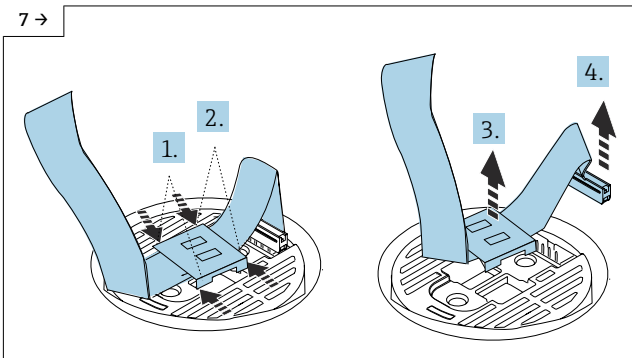
- ▶ **Promag H:** Disconnect the connection to the electronics module.



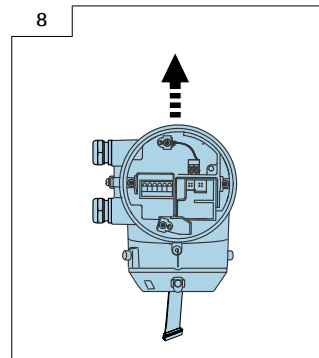
- ▶ Loosen the screws on the transmitter housing and lift it. Ensure that the ribbon cable is not damaged or disconnected during this process.



- ▶ **Promag:** Press the opposing retaining tabs of the clip together, release the clip from the ISEM, and unplug the connector.



- ▶ **Promass:** Press the opposing retaining tabs of the clip together, release the clip from the ISEM, and unplug the connector.



- ▶ Remove the transmitter housing entirely.

8 Removing the transmitter housing, Ex db/Zone1/Div. 1

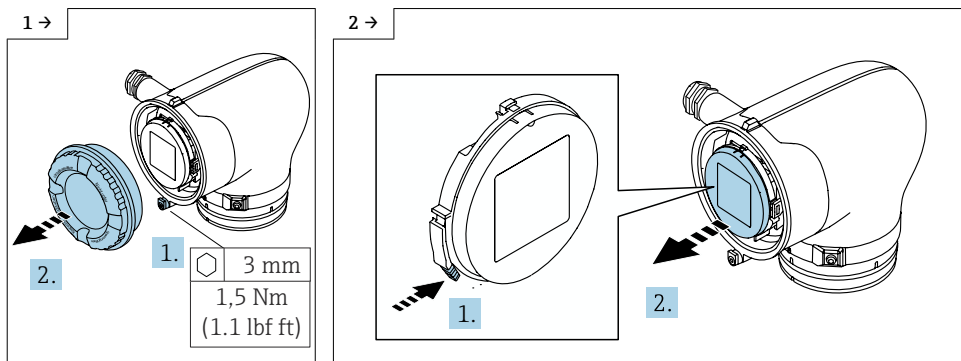
8.1 Removing the transmitter housing, Ex db/Zone1/Div. 1

⚠ WARNING

The measuring device is energized!

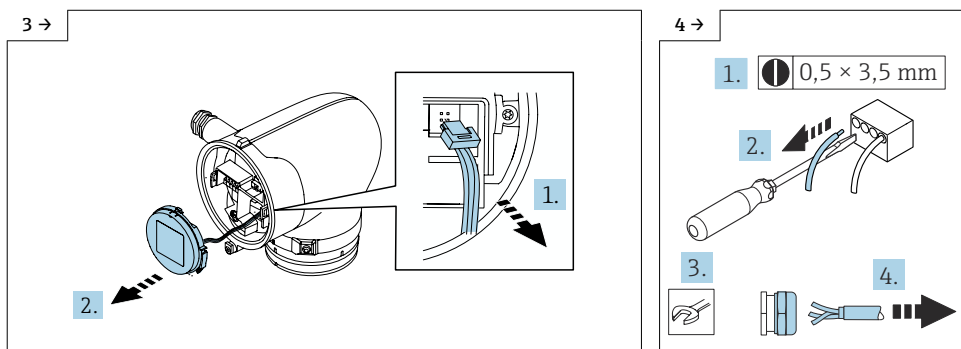
Risk of fatal injury from electric shock.

- ▶ Open the measuring device only when the device is de-energized.



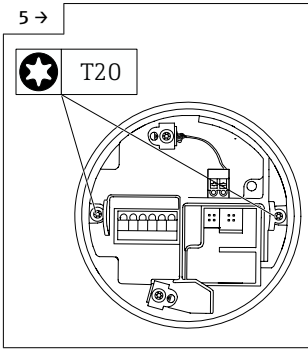
- ▶ Loosen the screws and open the cover.

- ▶ Press the tab and remove the display module from the transmitter.

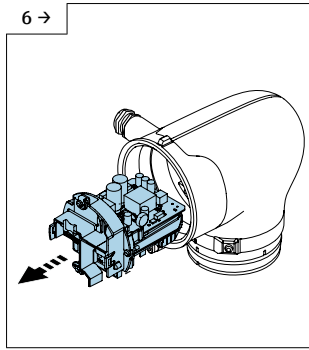


- ▶ Push up the tab above the plug, disconnect the plug and remove the display module.

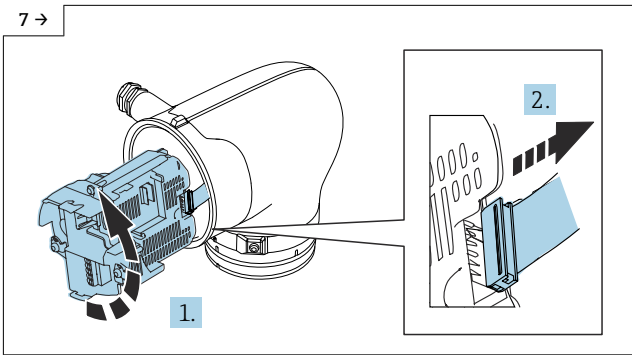
- ▶ Release the connecting cable, open the cable gland and remove the cable.



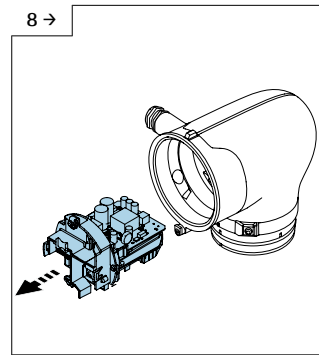
- ▶ Loosen 2 Torx screws of the electronics module.



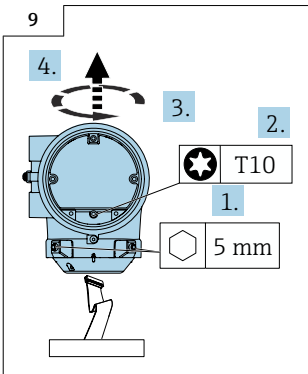
- ▶ Pull the electronics module out of the transmitter housing as far as possible.



- ▶ Turn the electronics module 90° counterclockwise and on the bottom of the module, disconnect the ISEM connector.



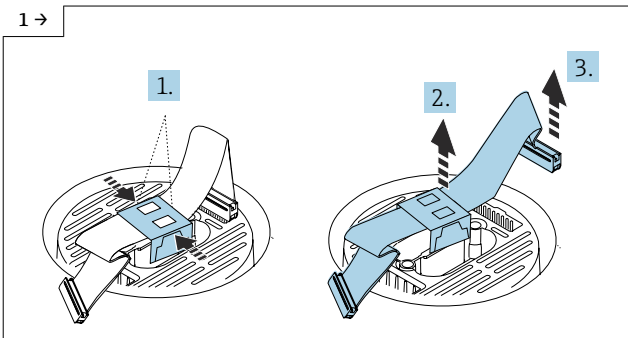
- ▶ Fully remove the electronics module from the transmitter housing.



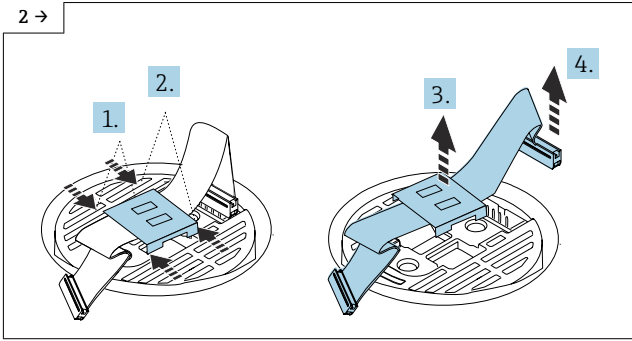
- ▶ Slacken the Allen screws on the right and left of the transmitter housing, loosen the twist protection. Turn the transmitter housing and remove it.

8.2 Removing the ISEM and S+T-DAT

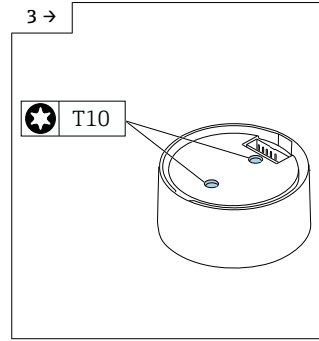
Proceed as described in Section 7.5 or Section 7.6 → 11 and as illustrated in the graphics below.



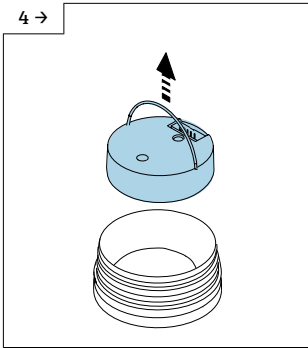
- ▶ **Promag transmitter housing Ex db/Zone1/Div. 1:** Press the opposing retaining tabs of the clip together, release the clip from the ISEM, unplug the connector, and remove the flat ribbon cable.



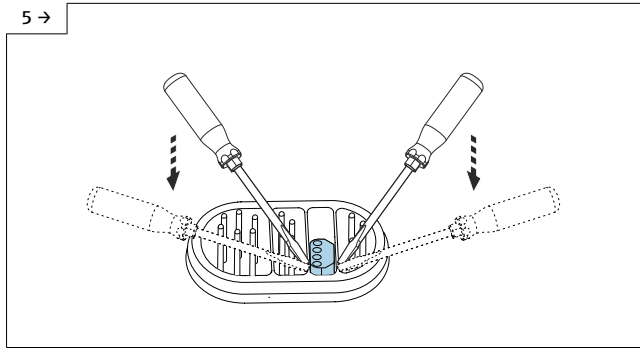
► **Promass transmitter housing Ex db/Zone1/Div. 1:** Press the opposing retaining tabs of the clip together, release the clip from the ISEM, unplug the connector, and remove the flat ribbon cable.



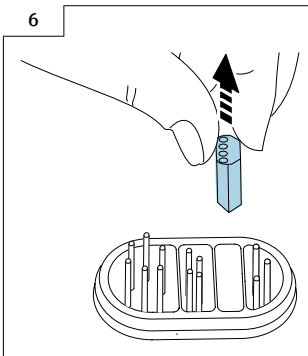
► Loosen the Torx screws of the ISEM.



► Remove the ISEM from the sensor interface.





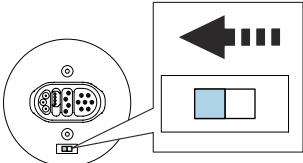
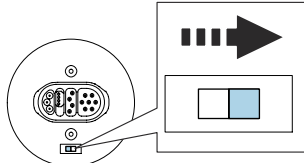
► Carefully pry up the S+T-DAT using two screwdrivers.



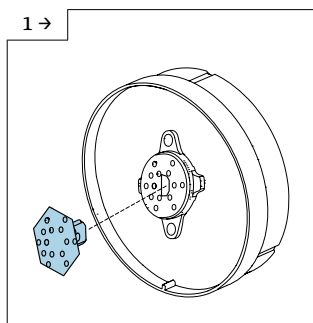
► Remove the S+T-DAT from the interface.


8.3 Promag: Preparing to install the ISEM for compact version of transmitter

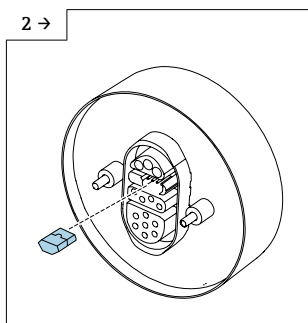
8.3.1 "Measurement isolated from ground" option disabled or enabled (extended transmitter)


| "Measurement isolated from ground" option disabled (extended transmitter) | "Measurement isolated from ground" option enabled (extended transmitter) |
|--|--|
| <p> Faulty measurement performance due to incorrect switch position of the grounding switch on the extended transmitter Check that the grounding switch is in the correct position and correct if necessary!</p> | <p> Damage to the measuring instrument due to incorrect switch position of the grounding switch on the extended transmitter Check that the grounding switch is in the correct position and correct if necessary!</p> |
|  |  |

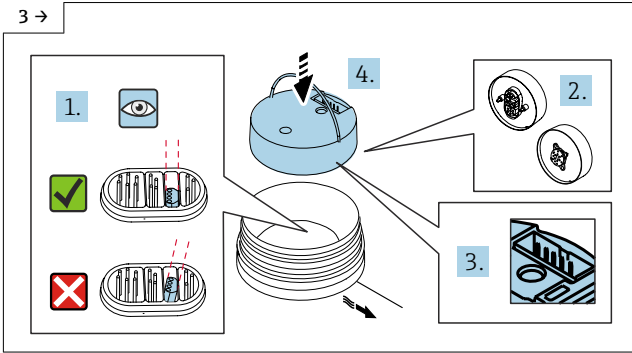
8.4 Promag and Promass: Installing the S+T-DAT, ISEM



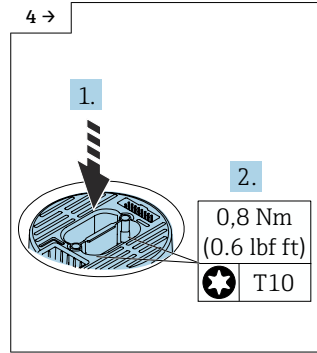
- **Promass:** Insert the S+T-DAT you have removed back into the new ISEM.  Pay attention to pin diagram!



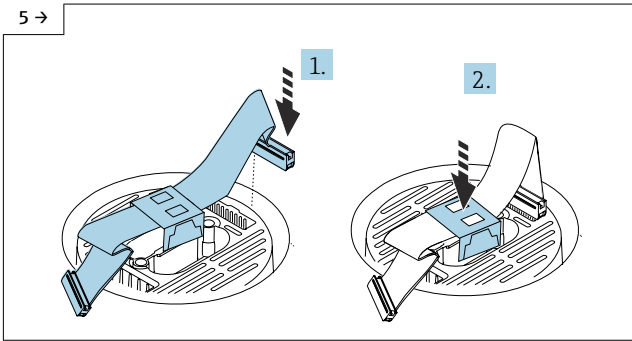
- **Promag:** Insert the S+T-DAT you have removed back into the new ISEM.  Pay attention to pin diagram!



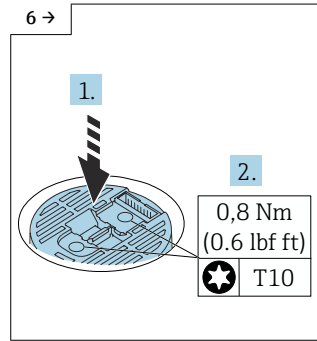
- ▶ **ⓘ** Before inserting the new ISEM, check that the **S+T-DAT** is straight to avoid any damage to the pins.
- ▶ Align and position the new ISEM in the sensor interface as shown in the graphic. **ⓘ** Pay attention to pin diagram!



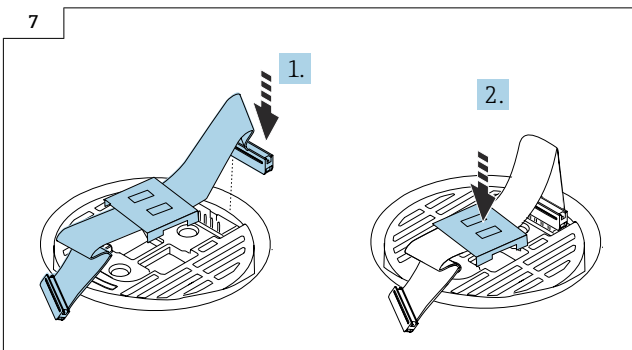
- ▶ **Promag:** Carefully press down the ISEM and tighten the screws as per the torque.



- ▶ **Promag:** Insert the connector and secure the ribbon cable with clip to the ISEM.



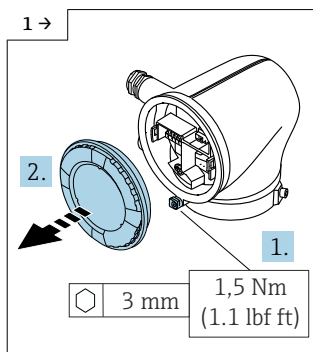
- ▶ **Promass:** Carefully press down the ISEM and tighten the screws as per the torque.



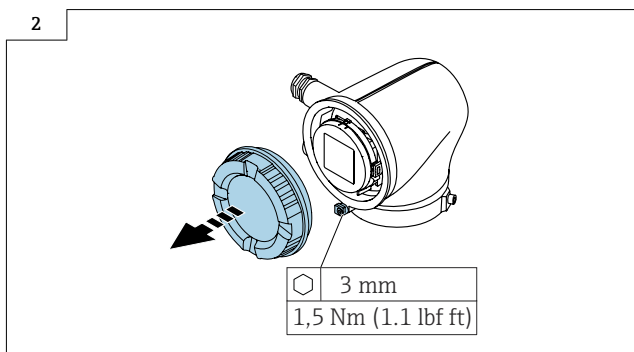
- ▶ **Promass:** Insert the connector and secure the ribbon cable with clip to the ISEM.

8.5 Preparing the new transmitter housing, non-Ex/Zone 2/Div. 2

8.5.1 Opening the cover of the aluminum transmitter housing

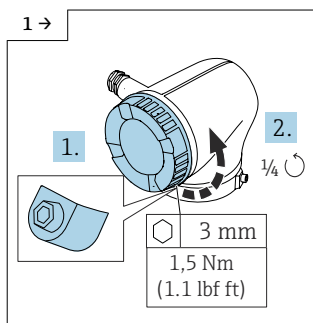


- ▶ Transmitter housing with dummy cover
- ▶ Loosen the screw and open the cover.

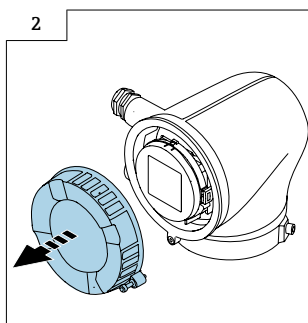


- ▶ Transmitter housing with window cover
- ▶ Loosen the screw and open the cover.

8.5.2 Opening the cover of the polycarbonate transmitter housing

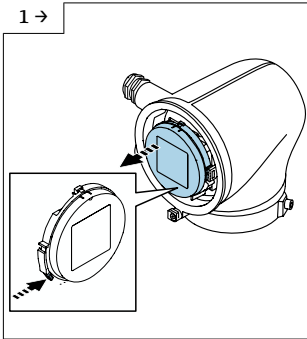


- ▶ Unscrew the screw from the locking mechanism until the cover can be turned. Then turn the cover counterclockwise by a 1/4 turn.

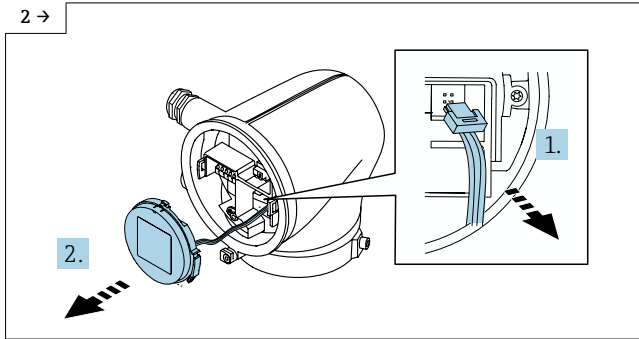


- ▶ Remove the cover.

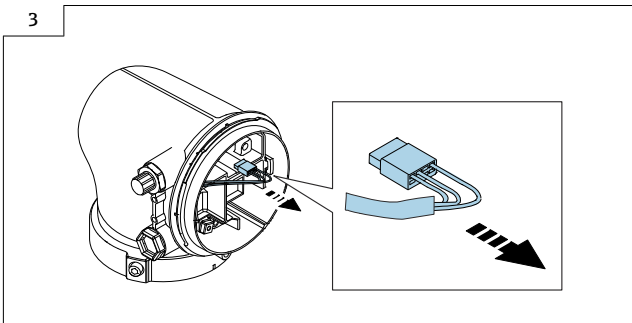
8.5.3 Removing mechanical and electronic components



- ▶ **Transmitter housing with display module**
- ▶ Press the tab and remove the display module from the transmitter.

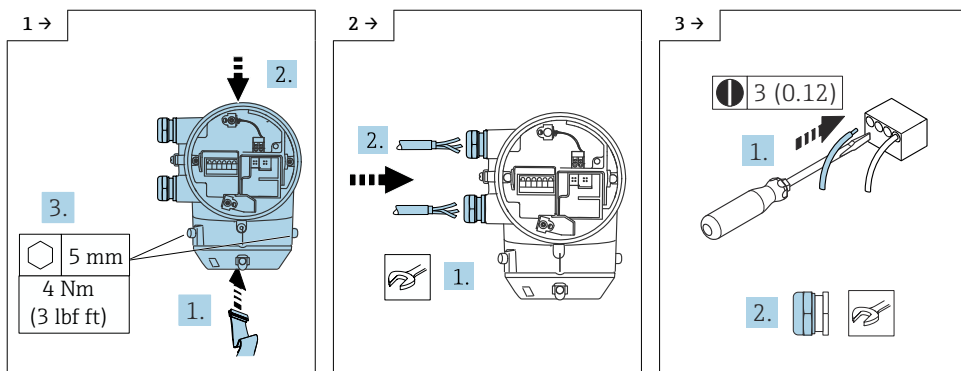


- ▶ **Transmitter housing with display module**
- ▶ Push up the tab above the plug, disconnect the plug and remove the display module.



- ▶ **Promag H:** Disconnect the connection to the electronics module.

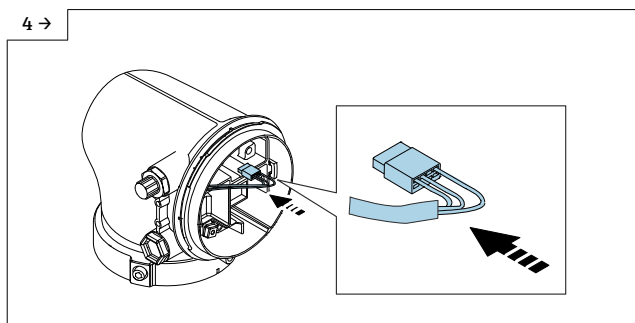
8.6 Installing the transmitter housing, non-Ex/Zone 2/Div. 2



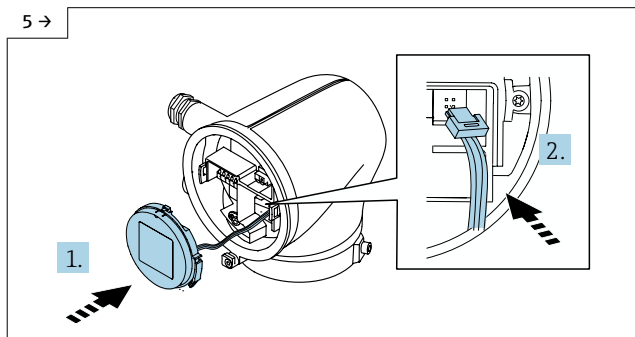
► Insert the flat ribbon cable into the electronics at the bottom of the transmitter. Fit the transmitter housing and tighten the screws on the transmitter housing.

► Guide the cable through the cable gland.

► Connect the cable as per the terminal assignment in the Operating Instructions. Tighten the cable glands.

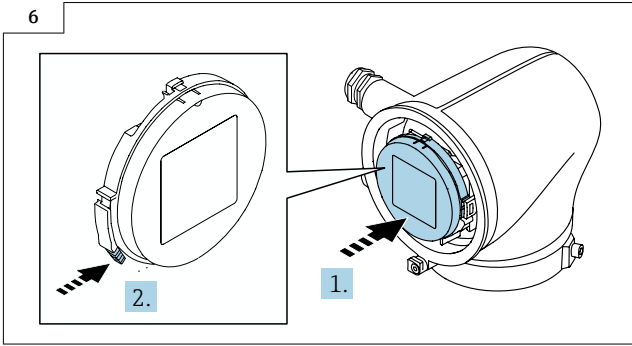


► **Promag H:** Plug the connector into the electronics module.



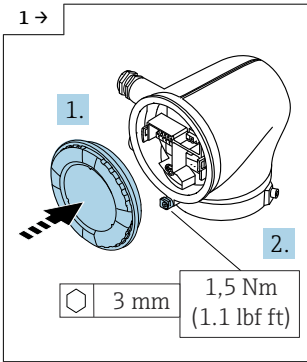
► **Transmitter housing with display module**

► Insert the plug, fit the display module on the transmitter housing.

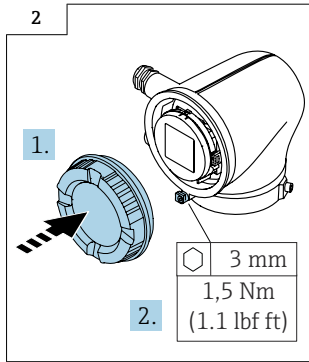


- ▶ **Transmitter with display module**
- ▶ Fit the display module, making sure it engages with a click.

8.7 Closing the cover of the aluminum transmitter housing

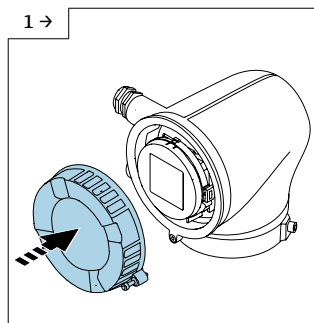


- ▶ **Transmitter housing with dummy cover**
- ▶ Fit the cover and tighten the screw.

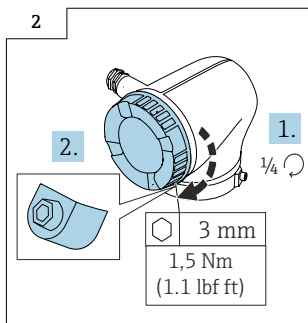


- ▶ **Transmitter housing with window cover**
- ▶ Fit the cover and tighten the screw.

8.8 Closing the cover of the polycarbonate transmitter housing

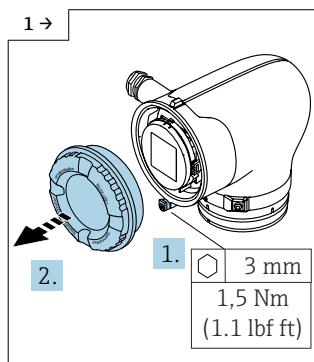


► Fit the cover.

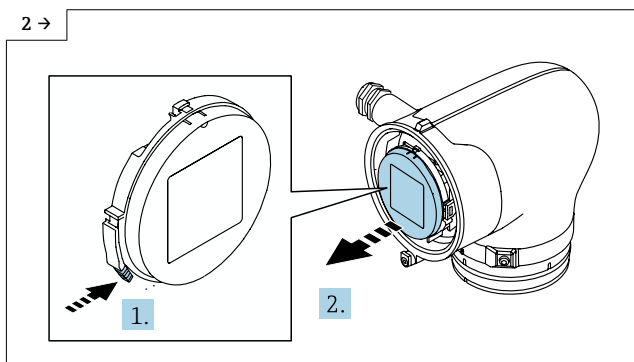


► Turn the cover by a 1/4 turn in the clockwise direction and tighten the screw.

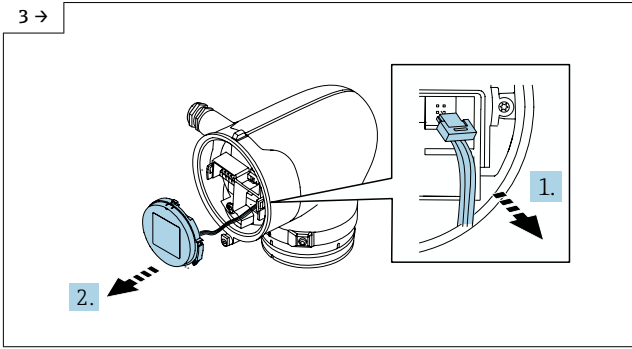
8.9 Preparing the new transmitter housing Ex db, Zone 1, Div. 1, removing mechanical and electronic components



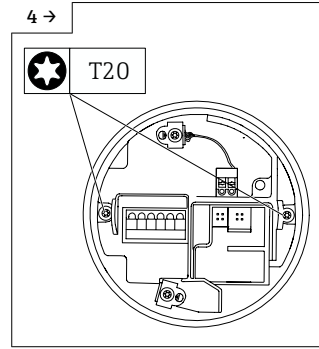
► Loosen the screws and open the cover.



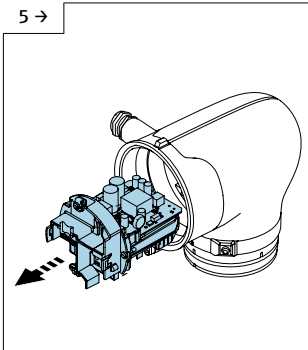
► Press the tab and remove the display module from the transmitter.



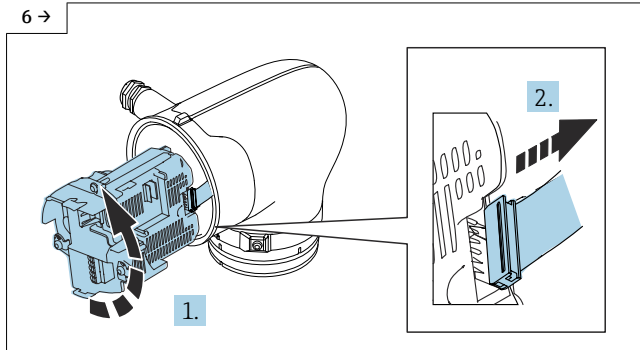
- ▶ Push up the tab above the plug, disconnect the plug and remove the display module.



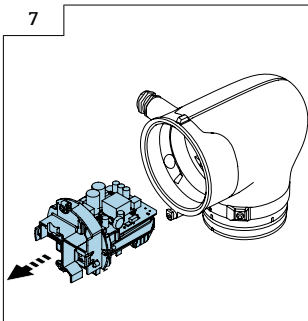
- ▶ Loosen the Torx screws.



- ▶ Pull the electronics module out of the transmitter housing as far as possible.

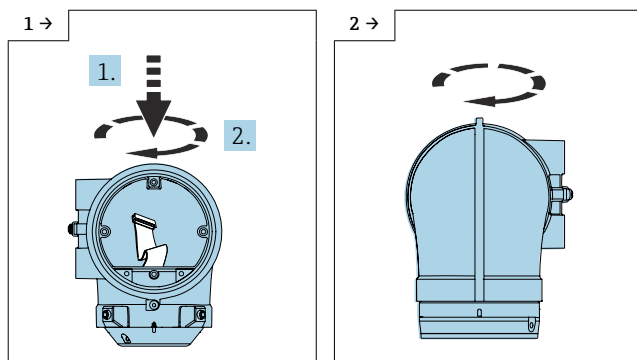


- ▶ Turn the electronics module 90° counterclockwise and on the bottom of the module, disconnect the ISEM connector.



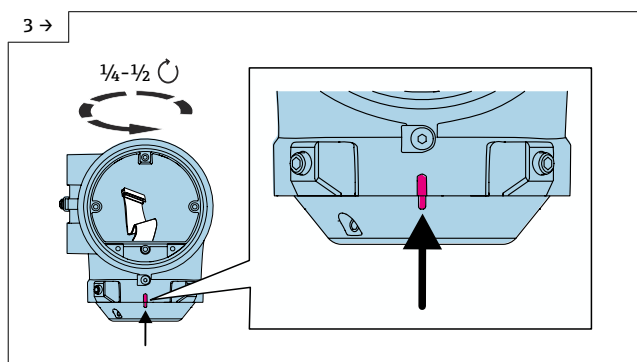
- ▶ Fully remove the electronics module from the transmitter housing.

8.10 Installing the new transmitter housing Ex db, Zone 1, Div. 1

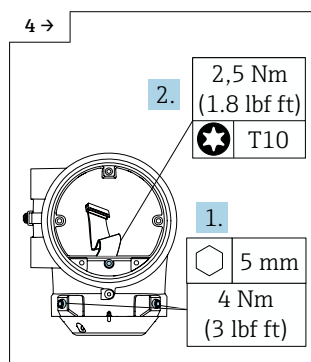


► Fit the new transmitter housing and turn it.

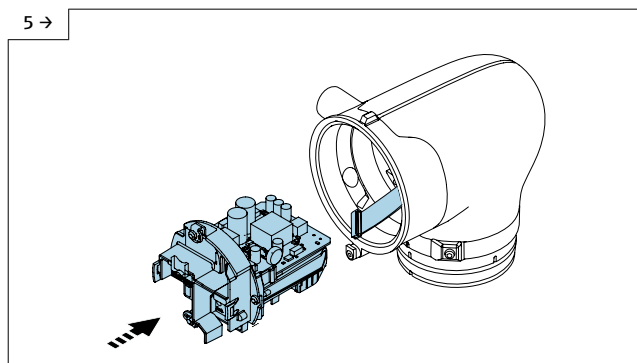
► Turn the new transmitter housing until the thread reaches the end stop.



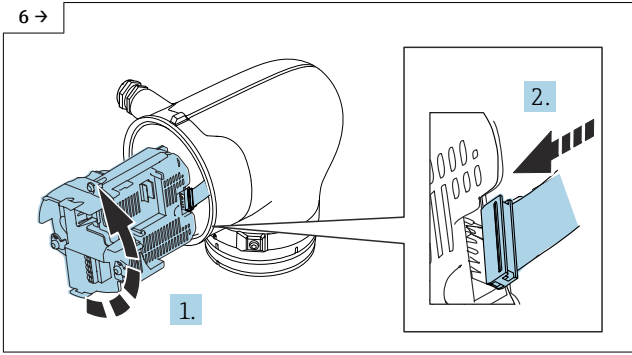
► Turn back the new transmitter housing 1/2 a turn until the two markings are aligned above one another.



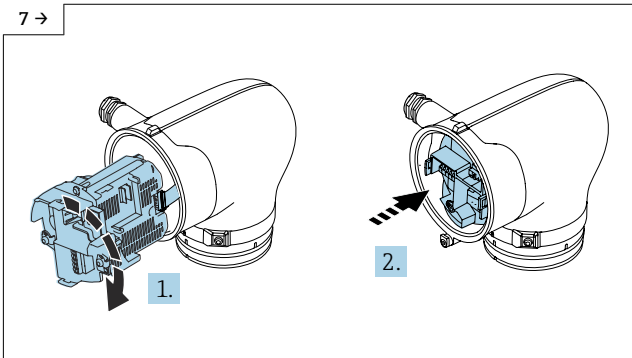
► Tighten the screws on the transmitter housing and tighten the twist protection.



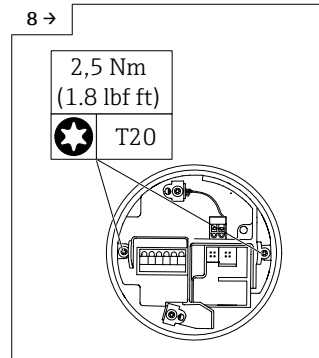
► Position the electronics module in front of the transmitter housing.



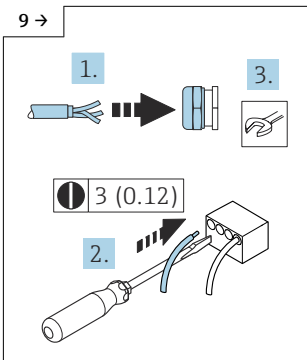
- ▶ Turn the electronics module 90° counterclockwise and on the bottom of the module, insert the ISEM connector.



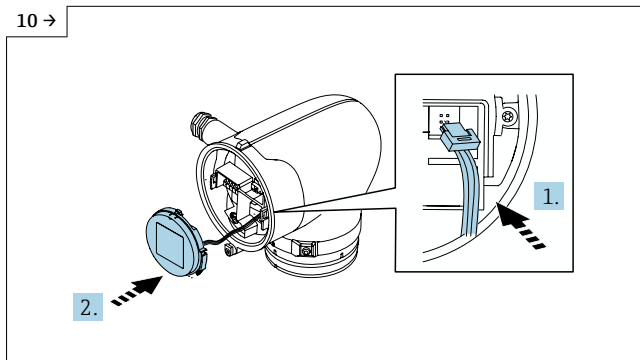
- ▶ Turn the electronics module back 90° clockwise and carefully slide it into the transmitter.



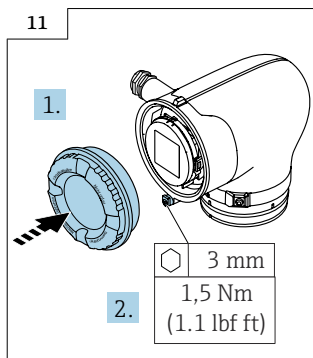
- ▶ Tighten the Torx screws.



- ▶ Connect the cable as per the terminal assignment in the Operating Instructions. Tighten the cable glands.



- ▶ Insert the plug, fit the display module.



- ▶ Close the cover and tighten the screw.

9 Replacing the transmitter, remote version

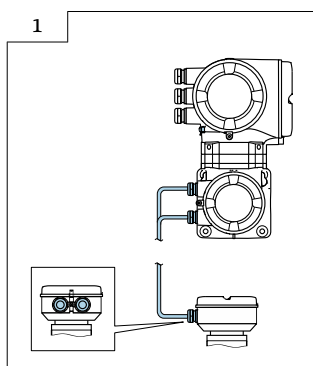
9.1 Removing the transmitter, remote version

WARNING

The measuring device is energized!

Risk of fatal injury from electric shock.

- ▶ Open the measuring device only when the device is de-energized.



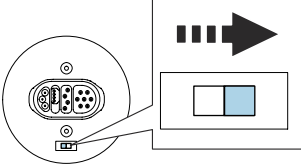
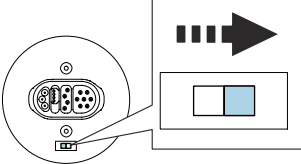
- ▶ Loosen the cable glands and release the cables.

The new transmitter housing is already configured. No memory modules are needed from the old transmitter.

9.2 Installing the remote version of transmitter

9.3 Promag: Preparing to install the ISEM

9.3.1 "Measurement isolated from ground" option disabled or enabled (extended transmitter)

| "Measurement isolated from ground" option disabled (extended transmitter) | "Measurement isolated from ground" option enabled (extended transmitter) |
|---|---|
| <p>i Faulty measurement performance due to incorrect switch position of the grounding switch on the extended transmitter</p> <p>Check that the grounding switch is in the correct position and correct if necessary!</p> | <p>i Damage to the measuring instrument due to incorrect switch position of the grounding switch on the extended transmitter</p> <p>Check that the grounding switch is in the correct position and correct if necessary!</p> |
|  |  |

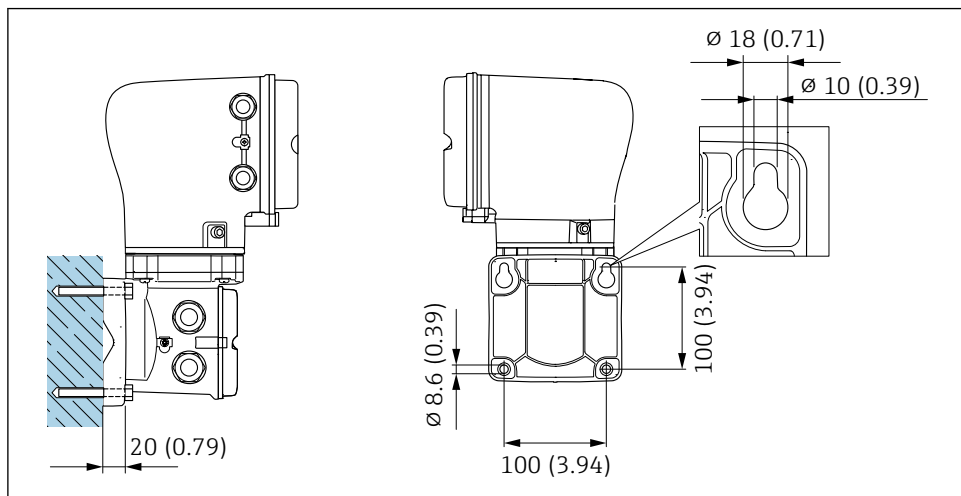
9.4 PromagPromass : Installing the transmitter housing, non-Ex/ Zone 2/Div. 2

Installation is performed as described in Section 8.5 → 17 and Section 8.6 → 19

9.5 Promag, Promass : Installing the transmitter housing, Ex db, Zone 1, Div. 1

Installation is performed as described in Section 8.9 → 21 and Section 8.10 → 23

9.6 Mounting the transmitter on the wall



1 Unit mm (in)

NOTICE

Ambient temperature too high!

If the electronics overheat this can damage the transmitter housing.

- ▶ Do not exceed the permissible temperature range for the ambient temperature.
- ▶ Use a weather protection cover .
- ▶ Mount the device correctly.

10 Electrical connection and commissioning



For detailed information on the electrical connection, see the "Electrical connection" section of the Operating Instructions for the device.



For detailed information on commissioning, see the "Commissioning" section of the Operating Instructions for the device.

11 Final steps



Once the steps indicated below are performed, the device is restarted. The connection must be re-established via the SmartBlue app.



After replacing the S+T-DAT, the initial password is the same as the serial number on the sensor nameplate.

12 Disposal



If required by the Directive 2012/19/EU on waste electrical and electronic equipment (WEEE), the product is marked with the depicted symbol in order to minimize the disposal of WEEE as unsorted municipal waste. Do not dispose of products bearing this marking as unsorted municipal waste. Instead, return them to the manufacturer for disposal under the applicable conditions.

Austausch Messumformer, Ex-frei/Zone 2/Div. 2, Ex db/ Zone 1/Div. 1

Proline 10

Inhaltsverzeichnis

| | | |
|----|--|----|
| 1 | Übersicht Ersatzmessumformer | 30 |
| 2 | Bestimmungsgemäße Verwendung | 31 |
| 3 | Reparaturberechtigte Personen | 31 |
| 4 | Sicherheitshinweise | 32 |
| 5 | Verwendete Symbole | 33 |
| 6 | Werkzeugliste | 34 |
| 7 | Ausbau Messumformergehäuse Ex-frei/Zone 2/Div. 2 | 34 |
| 8 | Ausbau Messumformergehäuse Ex db/Zone1/Div. 1 | 37 |
| 9 | Austausch Messumformer Getrenntausführung | 51 |
| 10 | Elektrischer Anschluss und Inbetriebnahme | 53 |
| 11 | Abschliessende Arbeiten | 54 |
| 12 | Entsorgung | 54 |

1 Übersicht Ersatzmessumformer

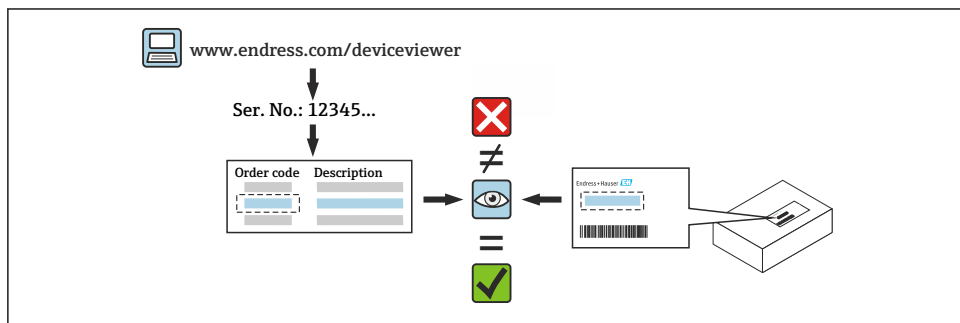
Die Einbauanleitung ist für folgende Ersatzmessumformer gültig:

| Bestellnummer | Set Original Ersatzmessumformer | Gerätekomponente |
|--------------------|---|--|
| 8XBBXX-***** | Set Messumformer Kompakt Alu beschichtet Ex-frei/Zone 2/Div. 2/ Zone 1 Ex db/ Div. 1 Promass 10 | 1 × Messumformer Promass 10, komplett Alu beschichtet 1 × ISEM, 1 × O-Ring 88,50 × 3,53 mm/3,5 × 0.14 in 1 × Einbauanleitung |
| 5XBBXX-*****A**** | Set Messumformer Kompakt Alu beschichtet Ex-frei/Zone 2/Div. 2/ Zone 1 Ex db/ Div. 1 Promag 10 | 1 × Messumformer Promag 10, komplett, Alu 1 × ISEM, 1 × O-Ring 88,50 × 3,53 mm/3,5 × 0.14 in 1 × O-Ring 29,87 × 1,78 mm/1.2 × 0.14 in 1 × Einbauanleitung |
| 5XBBXX-*****P**** | Set Messumformer Getrennt Alu beschichtet Ex-frei/Zone 2/Div. 2/ Zone 1 Ex db/ Div. 1 Promag 10 | 1 × Messumformer Promag 10, komplett, Alu mit Wandhalterung 1 × ISEM, 1 × O-Ring, 88,50 × 3,53 mm/ 3,5 × 0.14 in 1 × O-Ring, 29,87 × 1,78 mm/1.2 × 0.14 in 1 × Einbauanleitung |
| 8XBBXX-*****D***** | Set Messumformer Kompakt Polycarbonat Ex-frei/Zone 2/Div. 2 Zone 1 Ex db/ Div. 1 Promass 10 | 1 × Messumformer Promass 10, komplett Polycarbonat 1 × ISEM, 1 × O-Ring 88,50 × 3,53 mm/3,5 × 0.14 in 1 × S+T-DAT 1 × Einbauanleitung |
| 5XBBXX-*****M**** | Set Messumformer Kompakt Polycarbonat Ex-frei/Zone 2/Div. 2 Zone 1 Ex db/ Div. 1 Promag 10 | 1 × Messumformer Promag 10, komplett, Polycarbonat 1 × ISEM, 1 × O-Ring 88,50 × 3,53 mm/3,5 × 0.14 in 1 × O-Ring 29,87 × 1,78 mm/1.2 × 0.14 in 1 × Einbauanleitung |
| 5XBBXX-*****N**** | Set Messumformer Getrennt Polycarbonat Ex-frei/Zone 2/Div. 2/ Zone 1 Ex db/ Div. 1 Promag 10 | 1 × Messumformer Promag 10, komplett, Polycarbonat mit Wandhalterung 1 × ISEM, 1 × O-Ring, 88,50 × 3,53 mm/ 3,5 × 0.14 in 1 × O-Ring, 29,87 × 1,78 mm/1.2 × 0.14 in 1 × S+T-DAT 1 × Einbauanleitung |

2 Bestimmungsgemäße Verwendung


- Eine defekte Einheit nur gegen eine funktionierende Einheit des gleichen Typs ersetzen.
- Nur Originalteile von Endress+Hauser verwenden.
- Im W@M Device Viewer prüfen, ob das Ersatzteil zum vorliegenden Gerät passt.

 Bei einigen Geräten befindet sich im Inneren des Gerätes eine Ersatzteilübersicht. Ist das Ersatzteilset dort aufgelistet, entfällt die Überprüfung.



3 Reparaturberechtigte Personen

Die Berechtigung zur Durchführung einer Reparatur ist von der Zulassung des Messgeräts abhängig. Die Tabelle zeigt den jeweils berechtigten Personenkreis.

 Die Person, die eine Reparatur vornimmt, übernimmt die Verantwortung für die Sicherheit während der Arbeiten, die Qualität der Ausführung und die Sicherheit des Geräts nach der Reparatur.

| Zulassung des Messgeräts | Reparaturberechtigter Personenkreis ¹⁾ |
|----------------------------|---|
| Ohne Zulassung | 1, 2, 3 |
| Mit Zulassung (z.B. IECEx) | 2, 3 |
| Bei eichfähigem Verkehr | 4 |

- 1) 1 = Ausgebildete Fachkraft des Kunden, 2 = Von Endress+Hauser autorisierter Servicetechniker, 3 = Endress+Hauser (Messgerät an Hersteller zurücksenden)
4 = Mit der lokalen Zulassungsstelle prüfen, ob ein Ein-/Umbau unter Aufsicht erfolgen muss.

4 Sicherheitshinweise

- Prüfen, ob das vorliegende Ersatzteil zur Kennzeichnung auf dem Messgerät passt, wie auf der Titelseite beschrieben.
- Ersatzteilset und Einbauanleitung dienen dazu, eine defekte Einheit gegen eine funktionierende Einheit des gleichen Typs zu ersetzen.
Nur Originalteile von Endress+Hauser verwenden.
- Nationale Vorschriften bezüglich der Montage, elektrischen Installation, Inbetriebnahme, Wartung und Reparatur einhalten.
- Folgende Anforderungen an das Fachpersonal für Montage, elektrische Installation, Inbetriebnahme, Wartung und Reparatur der Messgeräte müssen erfüllt sein:
 - In Gerätesicherheit ausgebildet.
 - Mit den jeweiligen Einsatzbedingungen der Geräte vertraut.
 - Bei Ex-zertifizierten Messgeräten: zusätzlich im Explosionsschutz ausgebildet.
- Messgerät unter Spannung! Lebensgefahr durch Stromschlag. Messgerät nur im spannungslosen Zustand öffnen.
- Bei Messgeräten für den explosionsgefährdeten Bereich: Hinweise in der Ex-Dokumentation (XA) beachten.
- Bei Messgeräten in sicherheitstechnischen Applikationen gemäß IEC 61508 bzw. IEC 61511: Nach Reparatur Neuinbetriebnahme gemäß Betriebsanleitung durchführen. Reparatur dokumentieren.
- Vor einem Geräteausbau: Prozess in sicheren Zustand bringen und Leitung von gefährlichen Prozessstoffen befreien.
- Verbrennungsgefahr durch heiße Oberflächen! Vor Arbeitsbeginn: Anlage und Messgerät auf berührungssichere Temperatur abkühlen.
- Bei Messgeräten im abrechnungspflichtigen Verkehr: Nach Entfernen der Plombe ist der geeichte Zustand aufgehoben.
- Die Betriebsanleitung zum Messgerät ist zu beachten.
- Beschädigungsgefahr elektronischer Bauteile! Eine ESD-geschützte Arbeitsumgebung herstellen.
- Nach Entfernen der Elektronikabdeckung: Stromschlaggefahr durch aufgehobenen Berührungsschutz!
Messgerät ausschalten, bevor interne Abdeckungen entfernt werden.
- Änderungen am Messgerät sind nicht zulässig.
- Gehäuse nur kurzzeitig öffnen. Eindringen von Fremdkörpern, Feuchtigkeit oder Verunreinigung vermeiden.
- Defekte Dichtungen nur durch Original-Dichtungen von Endress+Hauser ersetzen.
- Defekte Gewinde erfordern eine Instandsetzung des Messgeräts.
- Gewinde (z.B. von Elektronikraum- und Anschlussraumdeckel) müssen geschmiert sein, sofern keine abriebfeste Trockenschmierung vorhanden ist. Säurefreies, nicht härtendes Fett verwenden.

- Wenn bei den Reparaturarbeiten Abstände reduziert oder die Spannungsfestigkeit des Messgeräts nicht sichergestellt werden kann: Prüfung nach Abschluss der Arbeiten durchführen (z.B. Hochspannungstest gemäß Herstellerangaben).
- Servicestecker:
 - Nicht in explosionsfähiger Atmosphäre anschließen.
 - Nur an Servicegeräte von Endress+Hauser anschließen.
- Die in der Betriebsanleitung aufgeführten Hinweise zum Transport und zur Rücksendung beachten.



Bei Fragen Endress+Hauser Service kontaktieren: www.addresses.endress.com

5 Verwendete Symbole

5.1 Warnhinweissymbole

GEFAHR

Bezeichnet eine unmittelbar drohende Gefahr. Wenn sie nicht gemieden wird, sind Tod oder schwerste Verletzungen die Folge.

WARNUNG

Bezeichnet eine möglicherweise drohende Gefahr. Wenn sie nicht gemieden wird, können Tod oder schwerste Verletzungen die Folge sein.




VORSICHT

Bezeichnet eine möglicherweise drohende Gefahr. Wenn sie nicht gemieden wird, können leichte oder geringfügige Verletzungen die Folge sein.


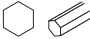


HINWEIS

Bezeichnet eine möglicherweise schädliche Situation. Wenn sie nicht gemieden wird, kann das Produkt oder etwas in seiner Umgebung beschädigt werden.

5.2 Symbole für Informationstypen

| Symbol | Bedeutung |
|---|--|
|  | Erlaubt Abläufe, Prozesse oder Handlungen, die erlaubt sind. |
|  | Verboten Abläufe, Prozesse oder Handlungen, die verboten sind. |
|  | Tipp Kennzeichnet zusätzliche Informationen. |
| 1, 2, 3... | Handlungsschritte |

6 Werkzeugliste

| | | | | |
|--|---|---|--|--|
|  <p>Sechskantschlüssel 8 mm, 22 mm, 24 mm</p> |  <p>Innensechskant- schlüssel 3 mm, 5 mm</p> |  <p>Torx Schraubenzieher T10</p> |  <p>Schlitzschrauben- zieher 0,5 x 3,5 mm</p> | <p>kunststoff- verträgliches Fett verwenden, wie z.B. Klübersynth R 42-111</p> |
|--|---|---|--|--|

7 Ausbau Messumformergehäuse Ex-frei/Zone 2/Div. 2

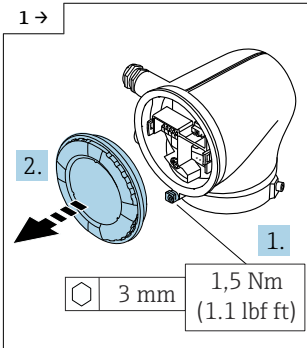
⚠ WARNUNG

Messgerät unter Spannung!

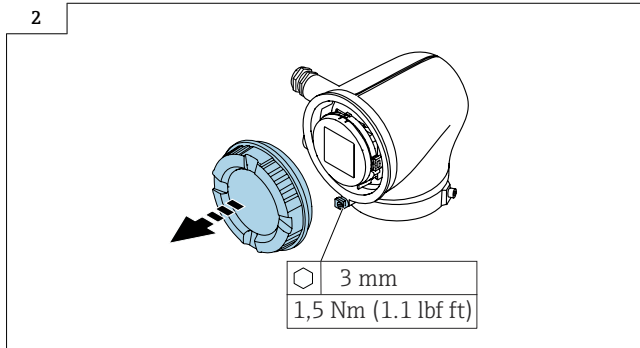
Lebensgefahr durch Stromschlag.

- ▶ Messgerät nur im spannungslosen Zustand öffnen.

7.1 Öffnen Deckel Messumformergehäuse Alu

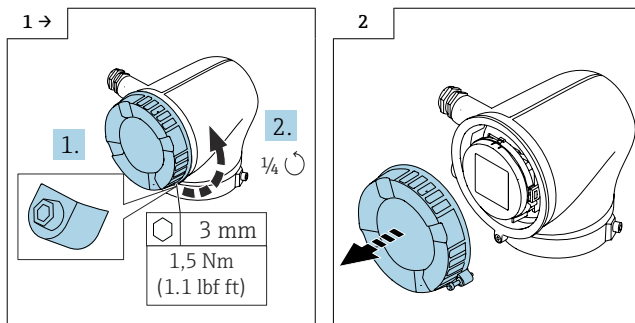


- ▶ Messumformergehäuse mit Deckel blind
- ▶ Schraube lösen und Deckel öffnen.



- ▶ Messumformergehäuse mit Deckel Schauglas
- ▶ Schraube lösen und Deckel öffnen.

7.2 Öffnen Deckel Messumformergehäuse Polycarbonat

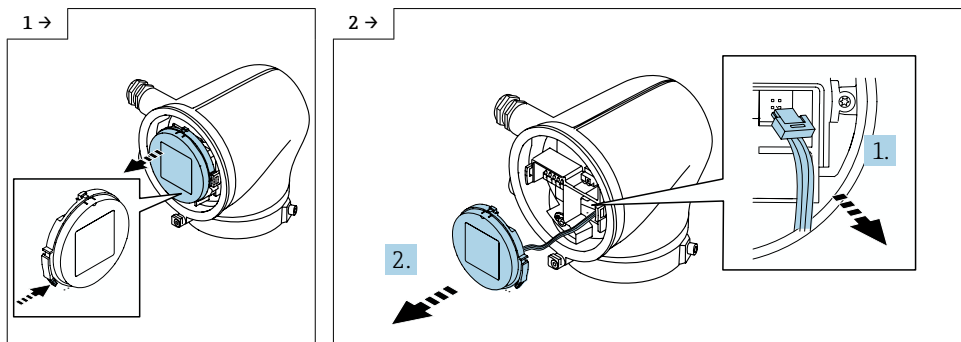


- ▶ Schraube soweit aus der Arretierung herausdrehen, bis sich der Deckel drehen lässt. Danach Deckel 1/4 Umdrehung entgegen dem Uhrzeigersinn drehen.

- ▶ Deckel wegnehmen.

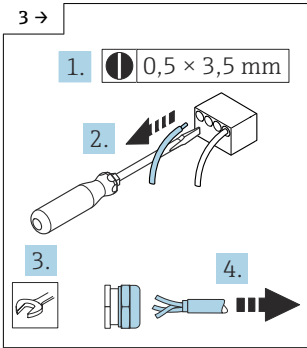
7.3 Ausbau Messumformergehäuse Ex-frei/Zone 2/Div. 2

Vorgehen wie in Kap. 7.1 → 34 oder wie in Kap. 7.2 → 35 und wie in den Bildern unten.

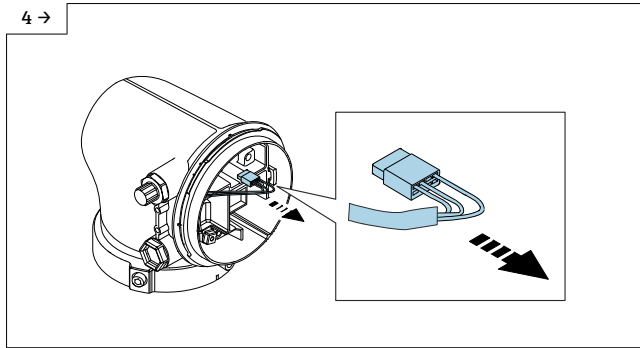


- ▶ Messumformergehäuse mit Anzeigemodul
- ▶ Lasche drücken und Anzeigemodul aus Messumformer herausnehmen.

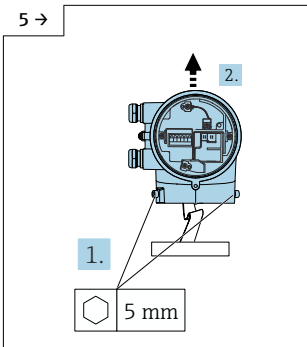
- ▶ Messumformergehäuse mit Anzeigemodul
- ▶ Lasche oberhalb vom Stecker nach oben drücken, Stecker abziehen, Anzeigemodul wegnehmen.



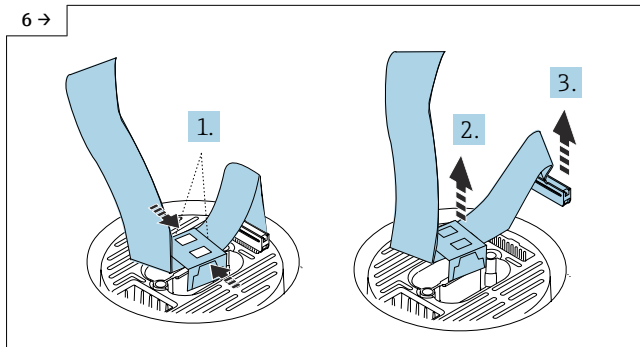
- ▶ Anschlusskabel lösen, Kabelverschraubung öffnen und Kabel wegnehmen.



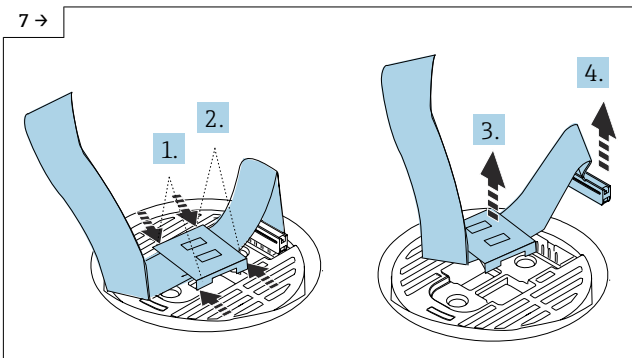
- ▶ **Promag H:** Steckverbindung zum Elektronikmodul lösen.



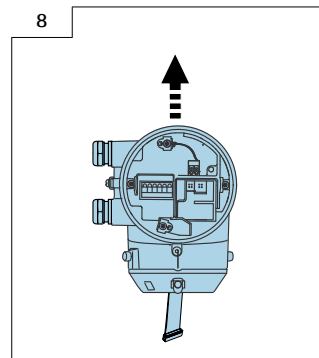
- ▶ Schrauben am Messumformergehäuse lösen, Messumformergehäuse hochziehen. Dabei das Flachbandkabel nicht abreißen.



- ▶ **Promag:** Die gegenüber liegenden Halterungen des Clips zusammendrücken, Clip vom ISEM lösen, Stecker abziehen.



- ▶ **Promass:** Die gegenüber liegenden Halterungen des Clips zusammendrücken, Clip vom ISEM lösen, Stecker abziehen.



- ▶ Messumformergehäuse ganz abziehen.

8 Ausbau Messumformergehäuse Ex db/Zone1/Div. 1

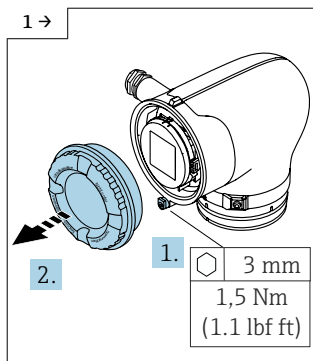
8.1 Ausbau Messumformergehäuse Ex db/Zone1/Div. 1

⚠️ WARNUNG

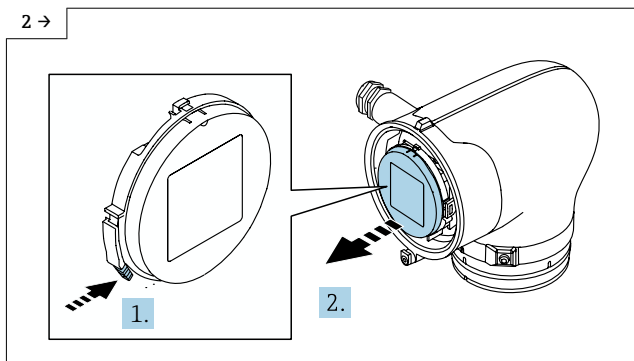
Messgerät unter Spannung!

Lebensgefahr durch Stromschlag.

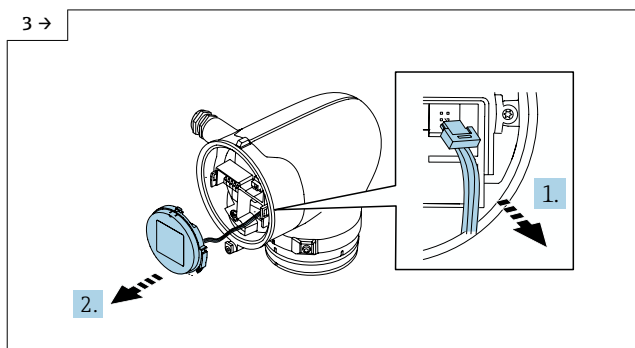
- ▶ Messgerät nur im spannungslosen Zustand öffnen.



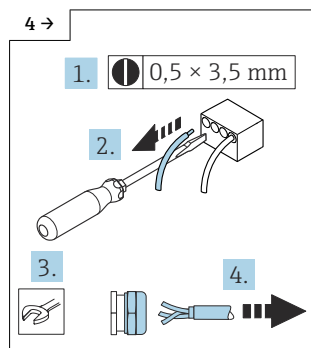
- ▶ Schrauben lösen und Deckel öffnen.



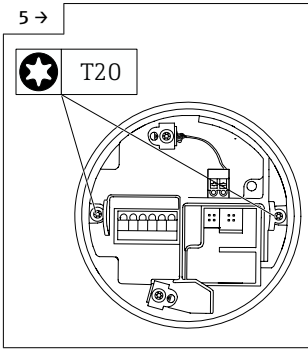
- ▶ Lasche drücken und Anzeigemodul aus Messumformer herausnehmen.



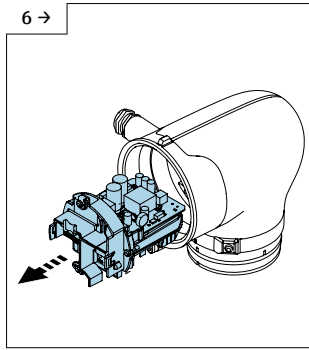
- ▶ Lasche oberhalb vom Stecker nach oben drücken, Stecker abziehen, Anzeigemodul wegnehmen.



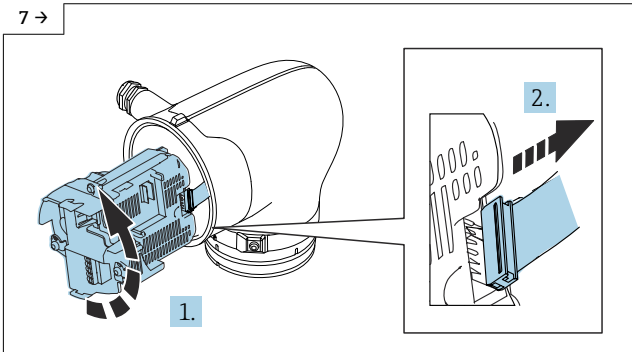
- ▶ Anschlusskabel lösen, Kabelverschraubung öffnen und Kabel wegnehmen.



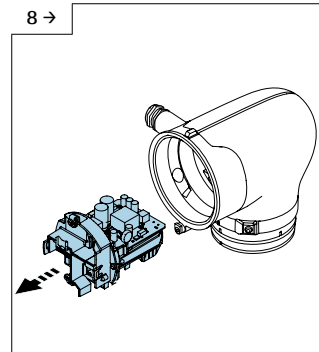
- ▶ 2 Torx Schrauben vom Elektronikmodul lösen.



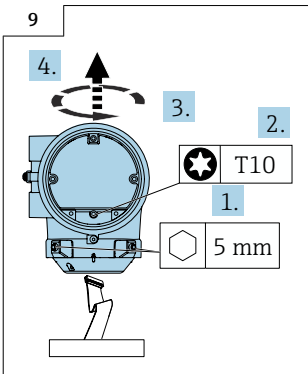
- ▶ Elektronikmodul soweit wie möglich aus Messumformergehäuse herausziehen.



- ▶ Elektronikmodul gegen den Uhrzeigersinn um 90° drehen und an der Unterseite den Stecker des ISEM abziehen.



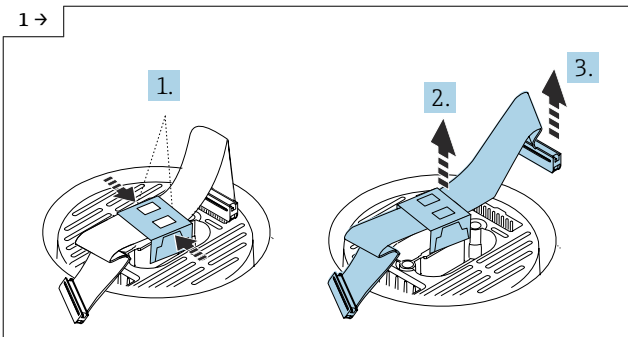
- ▶ Elektronikmodul ganz aus Messumformergehäuse herausnehmen.



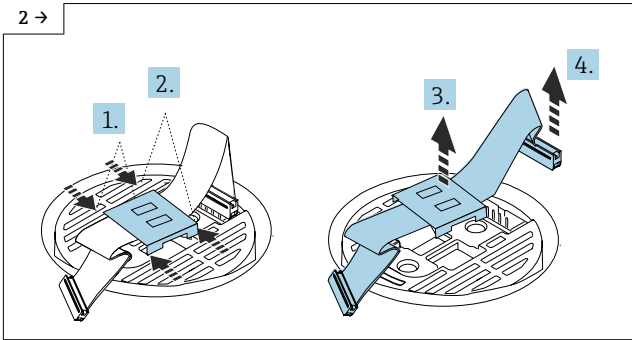
- Inbusschrauben rechts und links am Messumformergehäuse lösen, Verdrehsicherung lösen. Messumformergehäuse drehen und abziehen.

8.2 Ausbau ISEM und S+T-DAT

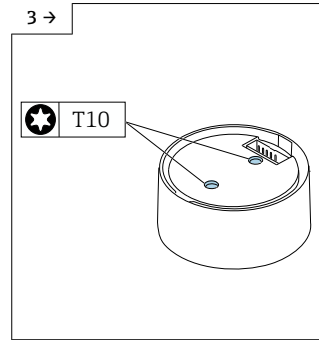
Vorgehen wie in Kap. 7.5 oder wie in Kap. 7.6 → 37 und wie in den Bildern unten.



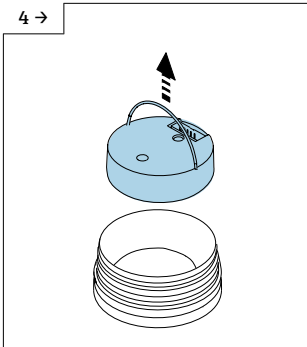
- Promag Messumformergehäuse Ex db/Zone1/Div. 1: Die gegenüber liegenden Halterungen des Clips zusammendrücken, Clip vom ISEM lösen, Stecker abziehen und Flachbandkabel wegnehmen.



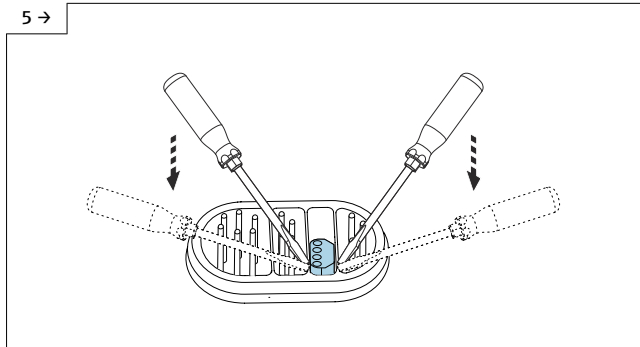
- **Promass Messumformergehäuse Ex db/Zone1/Div. 1:** Die gegenüber liegenden Halterungen des Clips zusammendrücken, Clip vom ISEM lösen, Stecker abziehen und Flachbandkabel wegnehmen.



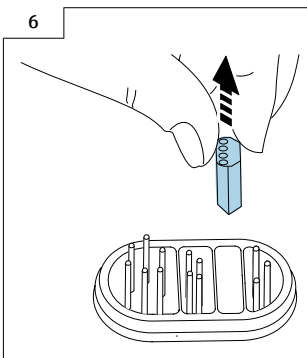
- Torxschrauben vom ISEM lösen.



- ISEM aus Sensorschnittstelle herausnehmen.



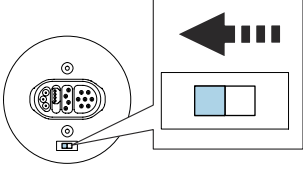
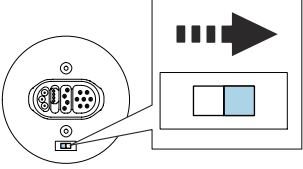
- S+T-DAT mit 2 Schraubenziehern vorsichtig nach oben hebeln.



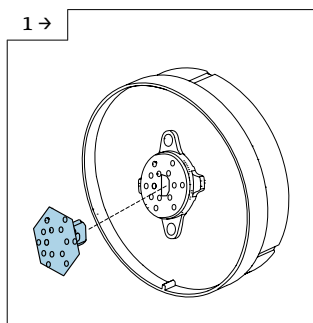
- S+T-DAT aus Schnittstelle herausnehmen.

8.3 Promag: Vorbereitende Arbeiten Einbau ISEM für Messumformer Kompaktausführung

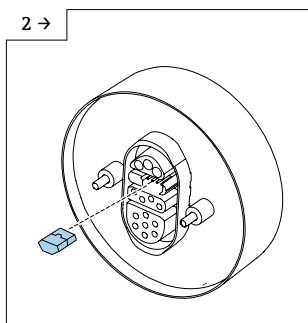
8.3.1 Option "Erdfreie Messung" deaktiviert oder aktiviert (erweiterter Messumformer)

| Option "Erdfreie Messung" deaktiviert (erweiterter Messumformer) | Option "Erdfreie Messung" aktiviert (erweiterter Messumformer) |
|--|---|
| <p>i Fehlerhafte Messperformance durch falsche Schalterstellung des Erdungsschalters beim erweiterten Messumformer! Korrekte Stellung des Erdungsschalters kontrollieren und falls notwendig korrigieren!</p> | <p>i Schäden am Messgerät durch falsche Schalterstellung des Erdungsschalters beim erweiterten Messumformer! Korrekte Stellung des Erdungsschalters kontrollieren und falls notwendig korrigieren!</p> |
|  |  |

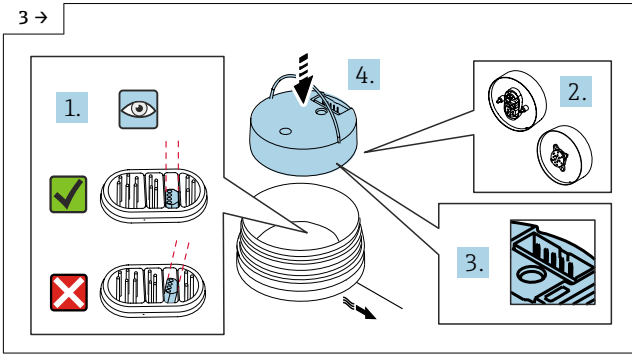
8.4 Promag und Promass: Einbau S+T-DAT, ISEM



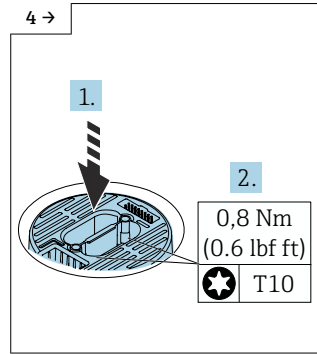
- **Promag:** Ausgebautes S+T-DAT wieder in den neuen ISEM einstecken. **i** Pinbild beachten!



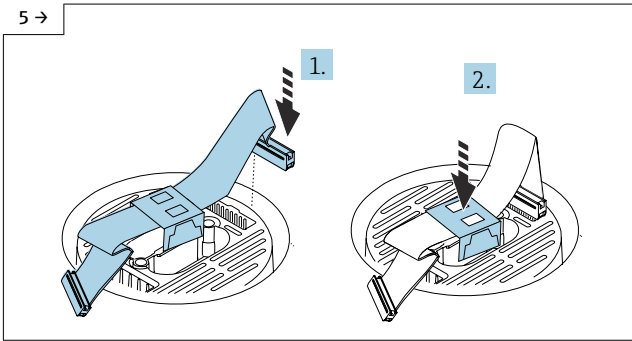
- **Promag:** Ausgebautes S+T-DAT wieder in den neuen ISEM einstecken. **i** Pinbild beachten!



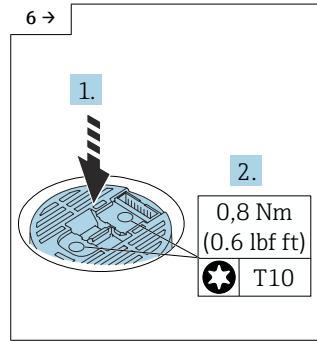
- ▶ Vor dem Einsetzen des neuen ISEM kontrollieren, ob das S+T-DAT gerade steht, um eine Beschädigung der Pins zu vermeiden.
- ▶ Neues ISEM gemäß Abbildung in Sensorschnittstelle ausrichten und platzieren. Pinbild beachten!



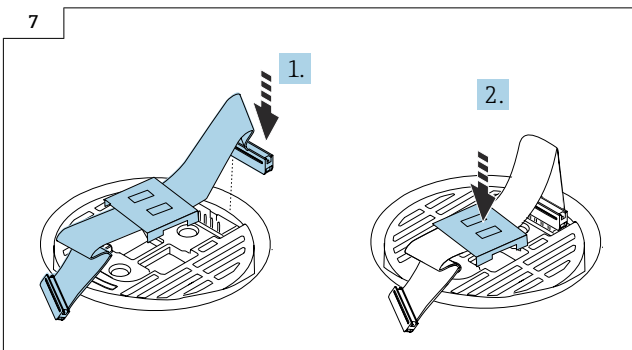
- ▶ **Promag:** ISEM vorsichtig nach unten drücken, Schrauben gemäß Drehmoment anziehen.



- ▶ **Promag:** Stecker einstecken und Flachbandkabel mit Clip am ISEM befestigen.



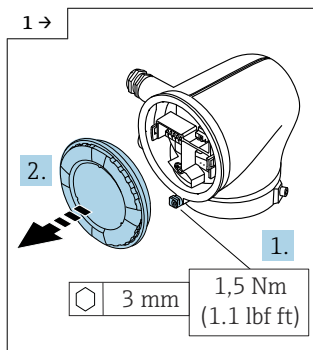
- ▶ **Promass:** ISEM vorsichtig nach unten drücken, Schrauben gemäß Drehmoment anziehen.



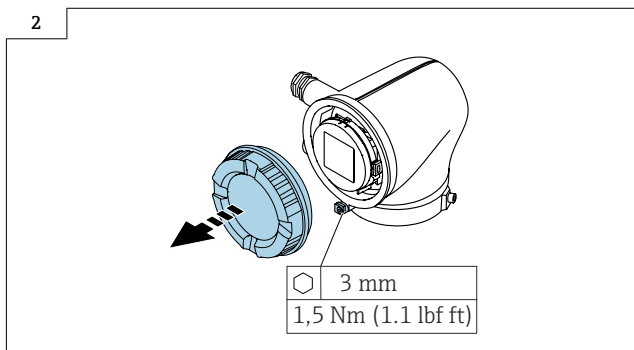
- ▶ **Promass:** Stecker einstecken und Flachbandkabel mit Clip am ISEM befestigen.

8.5 Vorbereiten des neuen Messumformergehäuses Ex-frei/Zone 2/ Div. 2

8.5.1 Öffnen Deckel Messumformergehäuse Alu

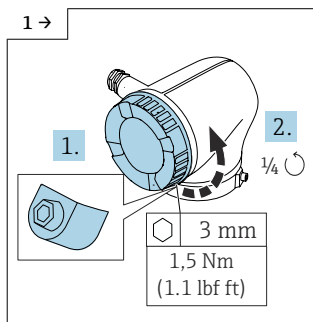


- ▶ Messumformergehäuse mit Deckel blind
- ▶ Schraube lösen und Deckel öffnen.

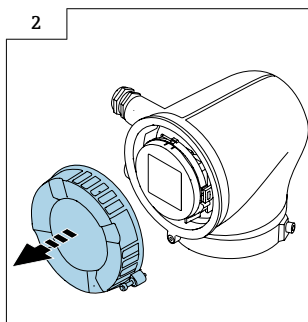


- ▶ Messumformergehäuse mit Deckel Schauglas
- ▶ Schraube lösen und Deckel öffnen.

8.5.2 Öffnen Deckel Messumformergehäuse Polycarbonat

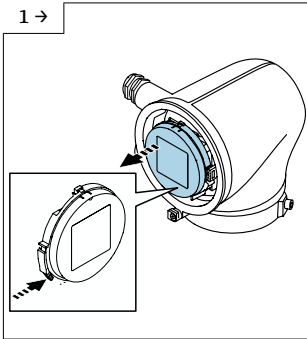


- ▶ Schraube soweit aus der Arretierung herausdrehen, bis sich der Deckel drehen lässt. Danach Deckel 1/4 Umdrehung entgegen dem Uhrzeigersinn drehen.

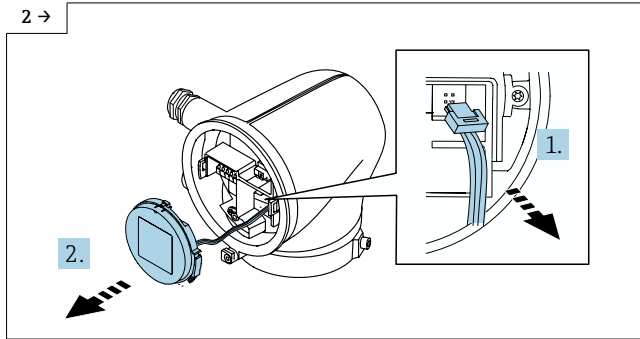


- ▶ Deckel wegnehmen.

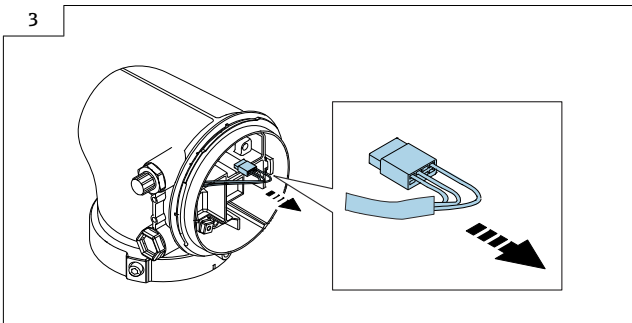
8.5.3 Ausbau von mechanischen und elektronischen Komponenten



- ▶ Messumformergehäuse mit Anzeigemodul
- ▶ Lasche drücken und Anzeigemodul aus Messumformer herausnehmen.

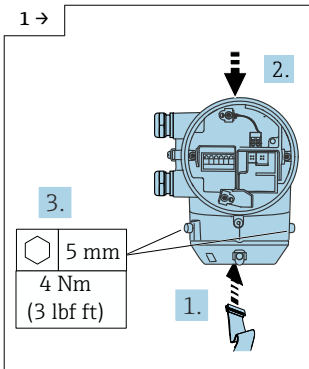


- ▶ Messumformergehäuse mit Anzeigemodul
- ▶ Lasche oberhalb vom Stecker nach oben drücken, Stecker abziehen, Anzeigemodul wegnehmen.

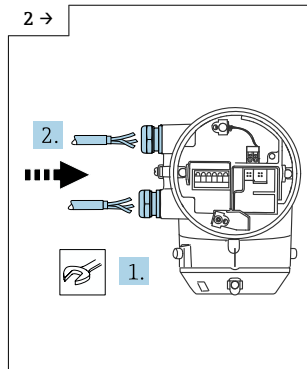


- ▶ Promag H: Steckverbindung zum Elektronikmodul lösen.

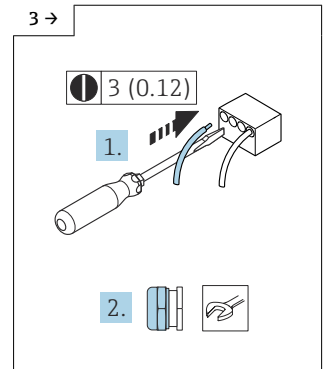
8.6 Einbau Messumformergehäuse Ex-frei/Zone 2/Div. 2



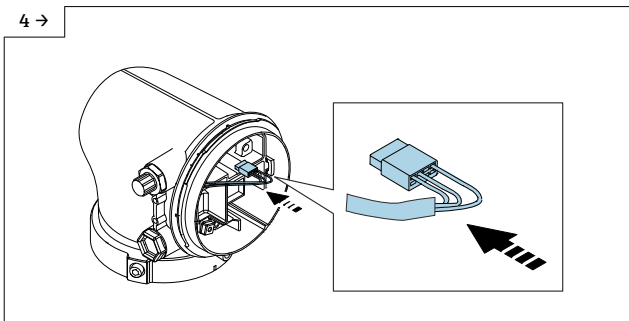
- Das Flachbandkabel in die Elektronik unten im Messumformer einstecken. Messumformergehäuse aufsetzen und Schrauben am Messumformergehäuse anziehen.



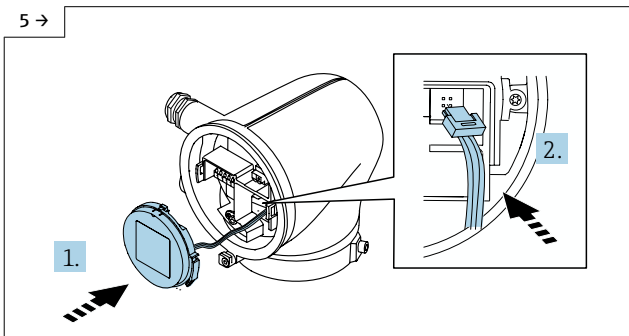
- Kabel durch Kabelverschraubung führen.



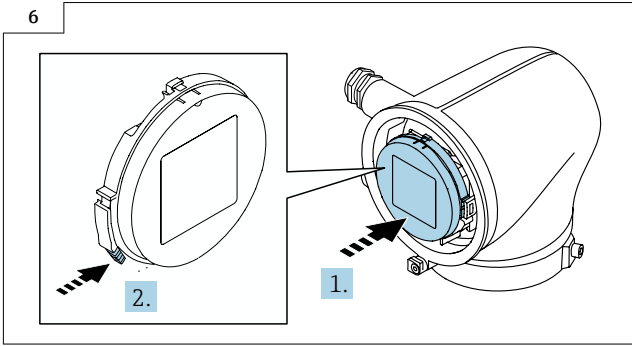
- Kabel gemäß Klemmenbelegung in der Betriebsanleitung anschließen. Kabelverschraubungen festziehen.



- Promag H: Steckverbinder zum Elektronikmodul einstecken.

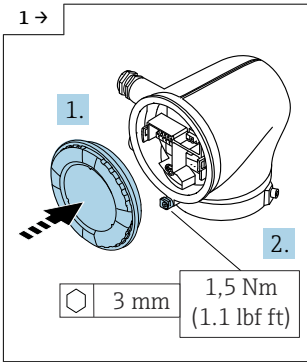


- Messumformergehäuse mit Anzeigemodul
- Stecker einstecken, Anzeigemodul an Messumformergehäuse aufsetzen.

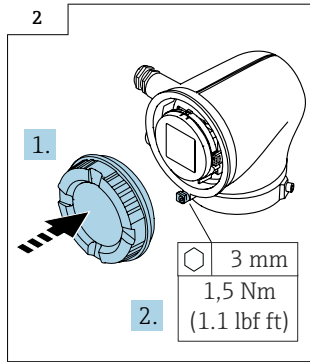


- ▶ Messumformer mit Anzeigemodul
- ▶ Anzeigemodul aufsetzen bis es einrastet.

8.7 Schließen Deckel Messumformergehäuse Alu

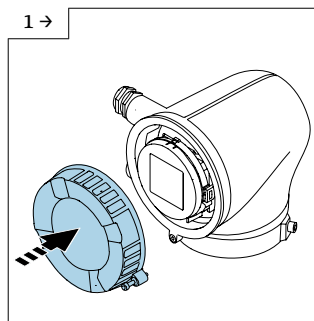


- ▶ Messumformergehäuse mit Deckel blind
- ▶ Deckel aufsetzen und Schraube anziehen.

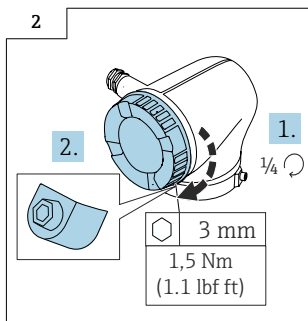


- ▶ Messumformergehäuse mit Deckel Schauglas
- ▶ Deckel aufsetzen und Schraube anziehen.

8.8 Schließen Deckel Messumformergehäuse Polycarbonat

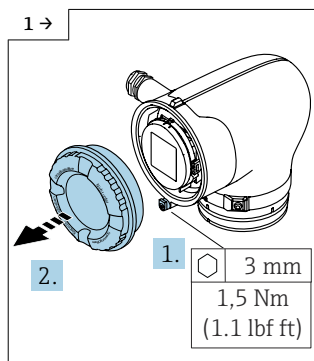


► Deckel aufsetzen.

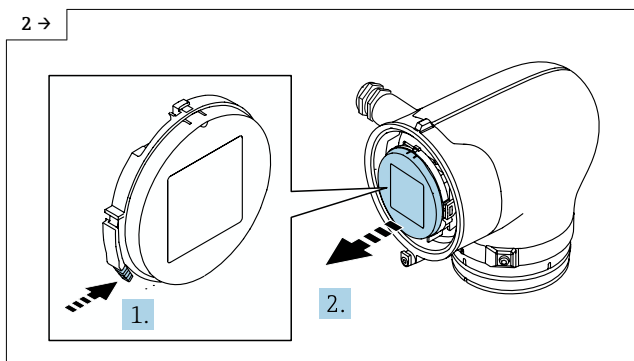


► Deckel 1/4 Umdrehung im Uhrzeigersinn drehen und Schraube anziehen.

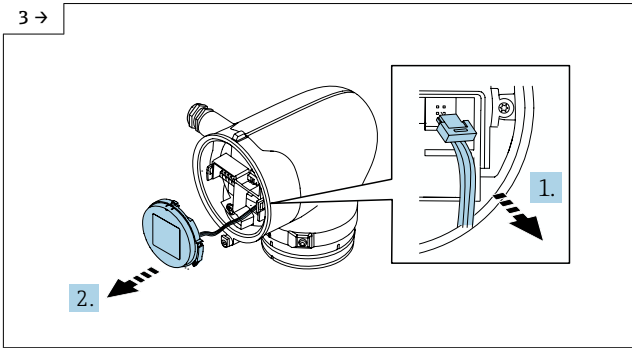
8.9 Vorbereiten des neuen Messumformergehäuses Ex db, Zone 1, Div. 1, Ausbau von mechanischen und elektronischen Komponenten



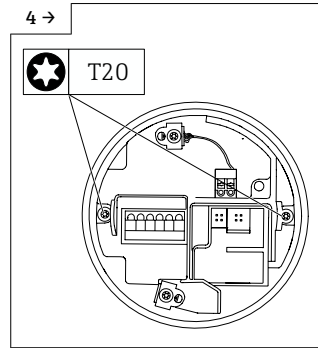
► Schrauben lösen und Deckel öffnen.



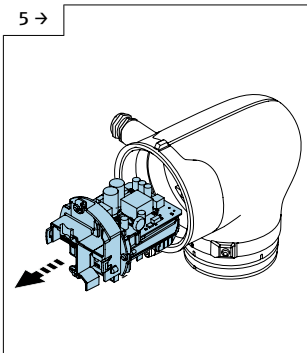
► Lasche drücken und Anzeigemodul aus Messumformer herausnehmen.



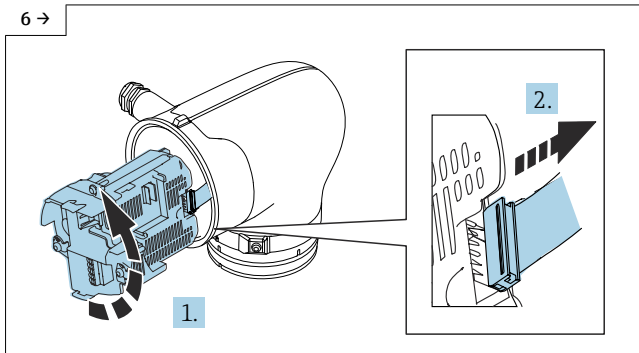
- ▶ Lasche oberhalb vom Stecker nach oben drücken, Stecker abziehen, Anzeigemodul wegnehmen.



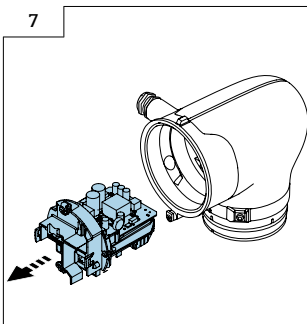
- ▶ Torx Schrauben lösen.



- ▶ Elektronikmodul soweit wie möglich aus Messumformergehäuse herausziehen.

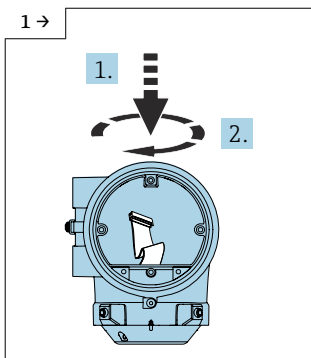


- ▶ Elektronikmodul gegen den Uhrzeigersinn um 90° drehen und an der Unterseite den Stecker des ISEM abziehen.

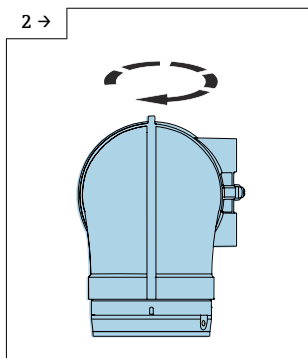


- ▶ Elektronikmodul ganz aus Messumformergehäuse herausnehmen.

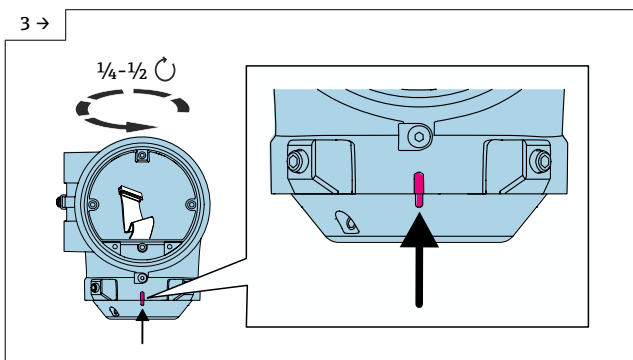
8.10 Einbau neues Messumformergehäuse Ex db, Zone 1, Div. 1



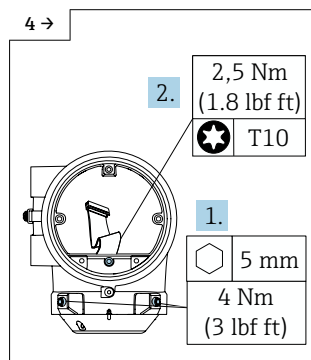
► Neues Messumformergehäuse aufsetzen und drehen.



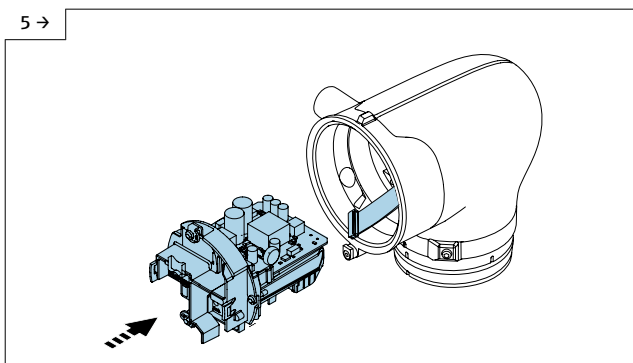
► Neues Messumformergehäuse bis zum Anschlag vom Gewinde drehen.



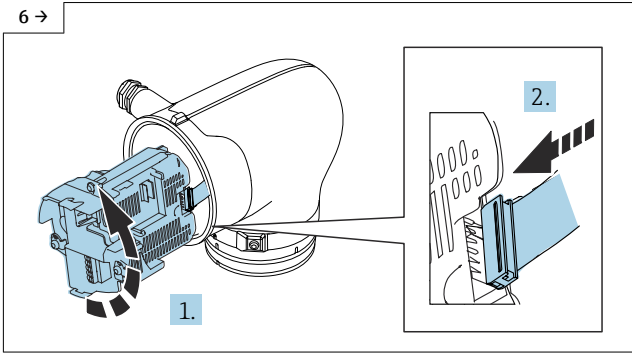
► Neues Messumformergehäuse 1/2 Umdrehung zurück drehen bis beide Markierungen über einander stehen.



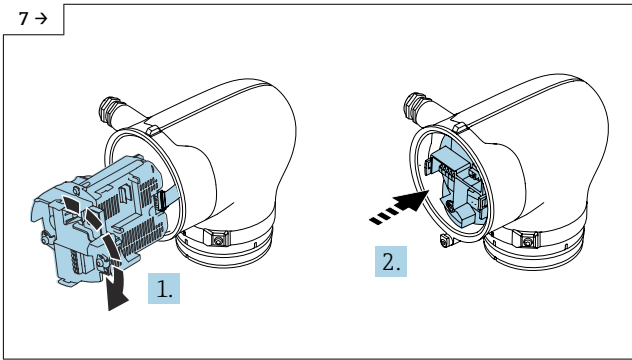
► Die Schrauben am Messumformergehäuse anziehen, die Verdrehsicherung anziehen.



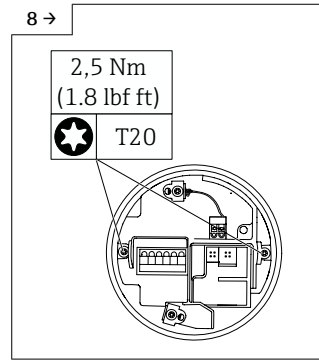
► Elektronikmodul vor dem Messumformergehäuse positionieren.



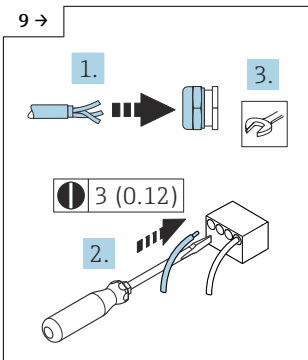
- ▶ Elektronikmodul gegen den Uhrzeigersinn um 90° drehen und an der Unterseite den Stecker des ISEM einstecken.



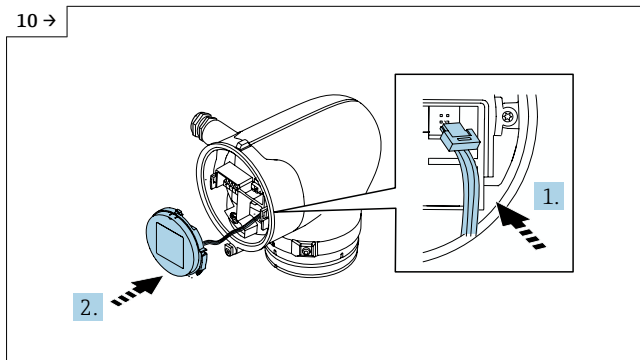
- ▶ Elektronikmodul im Uhrzeigersinn um 90° zurück drehen und vorsichtig in den Messumformer hineinschieben.



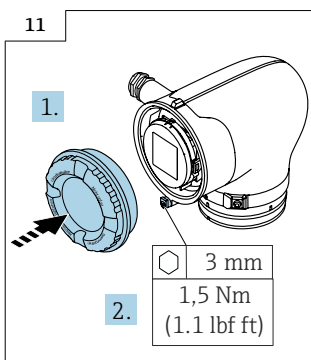
- ▶ Torx Schrauben anziehen.



- ▶ Kabel gemäß Klemmenbelegung in der Betriebsanleitung anschließen. Kabelverschraubungen festziehen.



- ▶ Stecker einstecken, Anzeigemodul anbringen.



- Deckel schliessen und Schraube anziehen.

9 Austausch Messumformer Getrenntausführung

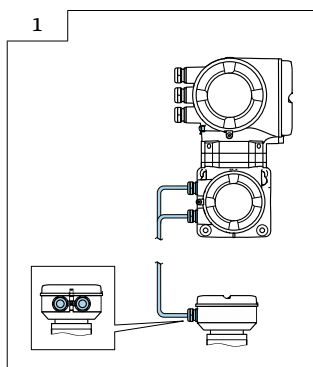
9.1 Ausbau Messumformer Getrenntausführung

⚠️ WARNUNG

Messgerät unter Spannung!

Lebensgefahr durch Stromschlag.

- Messgerät nur im spannungslosen Zustand öffnen.



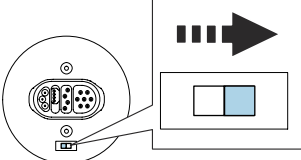
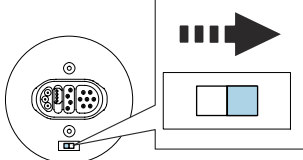
- Kabelverschraubungen und Kabel lösen.

i Das neue Messumformergehäuse ist bereits fertig konfiguriert. Aus dem alten Messumformer werden keine Speicherbausteine benötigt.



9.2 Einbau Messumformer Getrenntausführung

9.3 Promag: Vorbereitende Arbeiten Einbau ISEM



9.3.1 Option "Erdfreie Messung" deaktiviert oder aktiviert (erweiterter Messumformer)

| Option "Erdfreie Messung" deaktiviert (erweiterter Messumformer) | Option "Erdfreie Messung" aktiviert (erweiterter Messumformer) |
|--|---|
| <p>i Fehlerhafte Messperformance durch falsche Schalterstellung des Erdungsschalters beim erweiterten Messumformer! Korrekte Stellung des Erdungsschalters kontrollieren und falls notwendig korrigieren!</p> | <p>i Schäden am Messgerät durch falsche Schalterstellung des Erdungsschalters beim erweiterten Messumformer! Korrekte Stellung des Erdungsschalters kontrollieren und falls notwendig korrigieren!</p> |
|  |  |

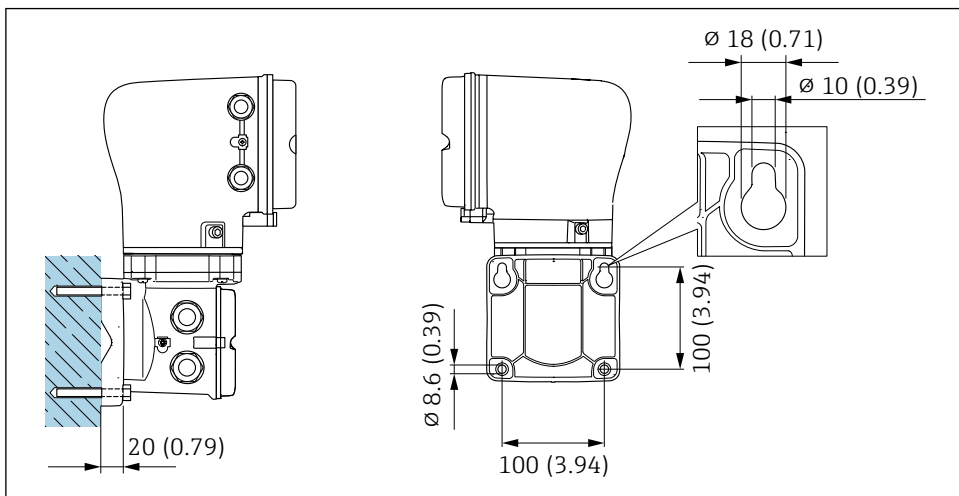
9.4 Promag, Promass : Einbau Messumformergehäuse Ex-frei/Zone 2/Div. 2

Der Einbau erfolgt wie in Kap. 8.5 →  43 und wie in Kap. 8.6 →  45 beschrieben.

9.5 Promag, Promass : Einbau Messumformergehäuse Ex db, Zone 1, Div. 1

Der Einbau erfolgt wie in Kap. 8.9 →  47 und wie in Kap. 8.10 →  49 beschrieben.

9.6 Wandmontage Messumformer



2 Maßeinheit mm (in)

HINWEIS

Zu hohe Umgebungstemperatur!

Überhitzung der Elektronik kann das Messumformergehäuse beschädigen.

- ▶ Zulässigen Temperaturbereich der Umgebungstemperatur nicht überschreiten.
- ▶ Wetterschutzhaube verwenden .
- ▶ Gerät fachgerecht montieren.

10 Elektrischer Anschluss und Inbetriebnahme





Detaillierte Angaben zum elektrischen Anschluss: Kapitel "Elektrischer Anschluss", Betriebsanleitung zum Gerät.




Detaillierte Angaben zur Inbetriebnahme: Kapitel "Inbetriebnahme", Betriebsanleitung zum Gerät.

11 Abschliessende Arbeiten

 Nach Ausführung der unten genannten Schritte, erfolgt ein Geräte Neustart. Die Verbindung via SmartBlue App muss wieder hergestellt werden.

 Nach Tausch des S+T-DAT entspricht das Initialpasswort der Seriennummer auf dem Sensortypenschild.

12 Entsorgung

 Gemäß der Richtlinie 2012/19/EU über Elektro- und Elektronik-Altgeräte (WEEE) ist das Produkt mit dem abgebildeten Symbol gekennzeichnet, um die Entsorgung von WEEE als unsortierten Hausmüll zu minimieren. Gekennzeichnete Produkte nicht als unsortierter Hausmüll entsorgen, sondern zu den gültigen Bedingungen an den Hersteller zurückgeben.



71665561

www.addresses.endress.com
