



# Special Documentation

## Weather protection cover

### Cerabar PMP50, Deltabar PMD50

Accessories

#### Intended use

The weather protection cover is designed for the following types of housing:

- Dual compartment housing; aluminum, coated
- Dual compartment housing; 316L

#### Safety instructions

##### **⚠ WARNING**

**Hazardous area: Risk of injury from explosion! Explosion hazard due to static charging of weather protection cover!**

- ▶ Connect the weather protection cover to local potential equalization!

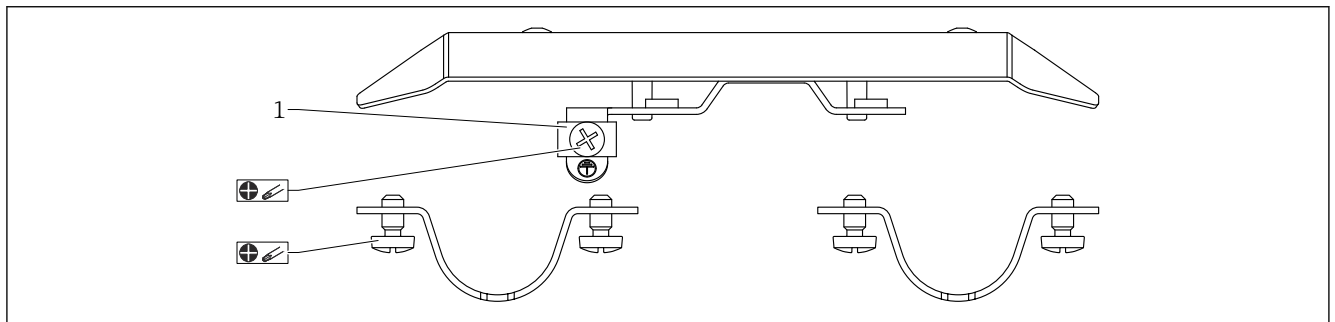
##### **⚠ CAUTION**

**Risk of injury from mechanical damage!**

- ▶ Do not step or climb on the weather protection cover!

#### Scope of delivery

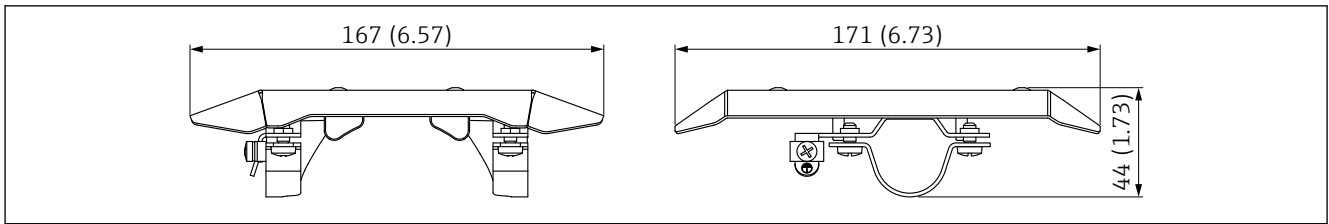
- 1 × weather protection cover, 316L (1.4404)
- 2 × clamps with recess, 316L (1.4404)
- 4 × screws, 316 L



1 Ground terminal for connecting the potential matching line

A0057101

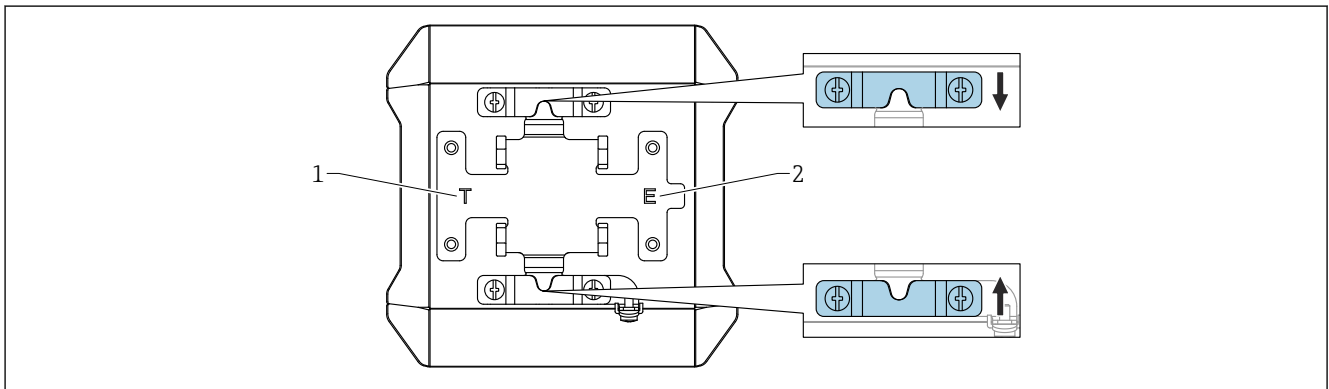
## Dimensions



A0057100

Unit of measurement mm (in)

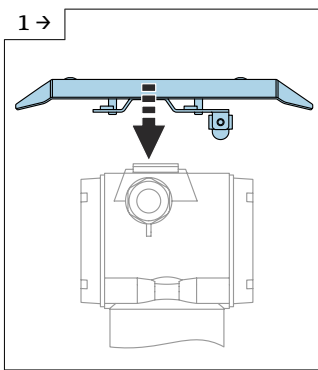
## Installation



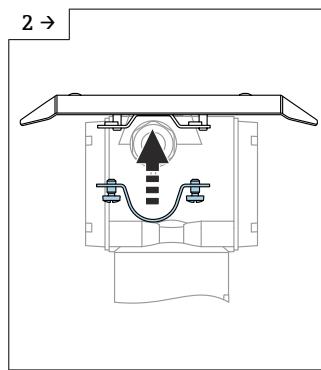
A0057129

### 1 Installation position

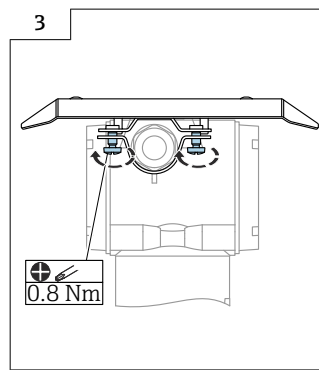
- 1 T = Cover for terminals
- 2 E = Cover for display and main electronics



A0057130



A0057131



A0057132