

Technical Information

Micropilot FMR10B

Free-space radar



Level measurement in liquids and bulk solids

Application

- Continuous, non-contact level measurement of liquids and bulk solids
- Degree of protection: IP66/68 / NEMA Type 4X/6P
- Maximum measuring range up to 10 m (33 ft)
- Process temperature: -40 to 60 °C (-40 to 140 °F)
- Process pressure: -1 to 3 bar (-14 to 43 psi)
- Accuracy: Up to ± 5 mm (0.2 in)

Your benefits











- LED indicator for fast status detection
- Easy, guided commissioning with intuitive user interface
- Radar measuring device with *Bluetooth*[®] wireless technology
- Simple, safe and secure wireless remote access – ideal for installation in places difficult to reach
- Commissioning, operation and maintenance via free iOS/Android app SmartBlue – saves time and reduces costs
- Flow measurement in open channels or weirs with totalizer

Table of contents

About this document	4	Climate class	19
Symbols	4	Operating height	19
List of abbreviations	4	Degree of protection	20
Graphic conventions	5	Vibration resistance	20
		Electromagnetic compatibility (EMC)	20
Function and system design	5	Process	21
Measuring principle	5	Process temperature, process pressure	21
Measuring system	6	Relative permittivity	21
Communication and data processing	6	Mechanical construction	22
Dependability	6	Dimensions	22
Device-specific IT security	6	Weight	22
		Materials	23
Input	6	Connecting cable	23
Measured variable	6	Operability	23
Measuring range	6	Operation concept	23
Operating frequency	10	LED indicator	24
Transmission power	10	Remote operation	24
		Supported operating tools	24
Output	10	Certificates and approvals	25
Output signal	10	Radio standard EN 302729	25
Signal on alarm for devices with current output	10	FCC	26
Load	10	Industry Canada	26
Damping	10	Ordering information	26
Linearization	10	Identification	27
Totalizer	11	Service	27
		Accessories	27
Power supply	11	Weather protective cover for device with cable entry from above	27
Cable assignment	11	Securing nut G 1½"	28
Supply voltage	11	Securing nut G 2"	28
Power consumption	11	Uni adapter G 1½">G 2"	29
Potential equalization	11	Uni adapter MNPT 1½" > MNPT 2"	29
Cable specification	11	Flooding protection tube 40 mm (1.5 in)	29
Overvoltage protection	12	Mounting bracket, adjustable, wall/rope/ceiling, 75 mm	30
		Mounting bracket, adjustable, wall, 200 mm	31
Performance characteristics	12	Angle bracket for wall mounting	32
Reference conditions	12	Cantilever, pivotable	33
Resolution	12	Pivotable mounting bracket	38
Maximum measurement error	12	FAU40 alignment unit	38
Influence of ambient temperature	13	UNI flange 2"/DN50/50, PP	40
Response time	14	UNI flange 3"/DN80/80, PP	41
Warm-up time (according to IEC 62828-4)	14	UNI flange 4"/DN100/100, PP	42
		Adjustable flange seal	43
Installation	14	DeviceCare SFE100	43
Installation types	14	Device Viewer	43
Mounting location	15	RN22	44
Orientation	15	RN42	44
Installation instructions	15	Field Xpert SMT70	44
Beam angle	16	Field Xpert SMT77	44
Weather protective cover	16	SmartBlue app	44
Flooding protection tube	17		
Installation with mounting bracket, adjustable	17		
Cantilever installation, with pivot	18		
Mounting with a pivotable mounting bracket	19		
Environment	19		
Ambient temperature range	19		
Storage temperature	19		

Documentation	44
Standard documentation	44
Supplementary device-dependent documentation	44
Registered trademarks	44

About this document

Symbols	<p>Safety symbols</p> <p> DANGER This symbol alerts you to a dangerous situation. Failure to avoid this situation will result in serious or fatal injury.</p> <p> WARNING This symbol alerts you to a dangerous situation. Failure to avoid this situation can result in serious or fatal injury.</p> <p> CAUTION This symbol alerts you to a dangerous situation. Failure to avoid this situation can result in minor or medium injury.</p> <p>NOTICE This symbol contains information on procedures and other facts which do not result in personal injury.</p> <p>Communication-specific symbols</p> <p>Bluetooth®:  Wireless data transmission between devices over a short distance</p> <p>Symbols for certain types of information</p> <p><i>Permitted:</i>  Procedures, processes or actions that are permitted.</p> <p><i>Forbidden:</i>  Procedures, processes or actions that are forbidden.</p> <p><i>Additional information:</i> </p> <p><i>Reference to documentation:</i> </p> <p><i>Reference to page:</i> </p> <p><i>Series of steps:</i> 1., 2., 3.</p> <p><i>Result of an individual step:</i> </p> <p>Symbols in graphics</p> <p><i>Item numbers:</i> 1, 2, 3 ...</p> <p><i>Series of steps:</i> 1., 2., 3.</p> <p><i>Views:</i> A, B, C, ...</p>
List of abbreviations	<p>PN Nominal pressure</p> <p>MWP Maximum working pressure The maximum working pressure is indicated on the nameplate.</p> <p>ToF Time of Flight</p> <p>DTM Device Type Manager</p> <p>ϵ_r (Dk value) Relative dielectric constant</p> <p>Operating tool</p>

The term "operating tool" is used in place of the following operating software:

- FieldCare / DeviceCare, for operation via HART communication and PC
- SmartBlue app, for operation using an Android or iOS smartphone or tablet

PLC

Programmable logic controller (PLC)

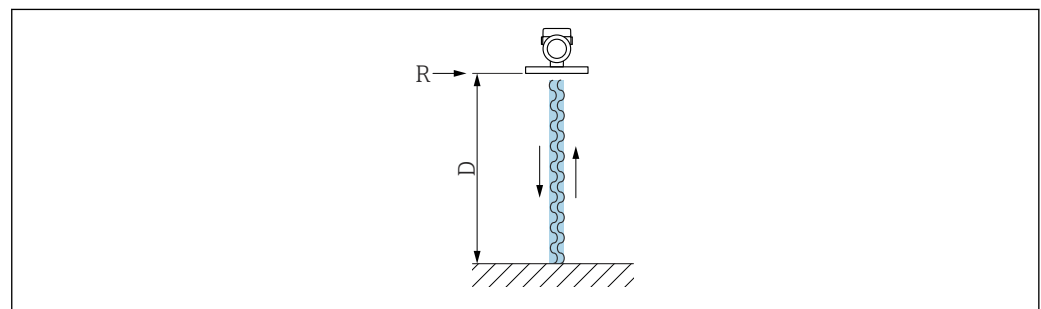
Graphic conventions

- Installation, explosion and electrical connection drawings are presented in simplified format
- Devices, assemblies, components and dimensional drawings are presented in reduced-line format
- Dimensional drawings are not to-scale representations; the dimensions indicated are rounded off to 2 decimal places
- Unless otherwise described, flanges are presented with sealing surface form EN 1092-1; ASME B16.5, RF.

Function and system design

Measuring principle

The Micropilot is a "downward-looking" measuring system, operating based on the frequency modulated continuous wave method (FMCW). The antenna emits an electromagnetic wave at a continuously varying frequency. This wave is reflected by the product and received again by the antenna.



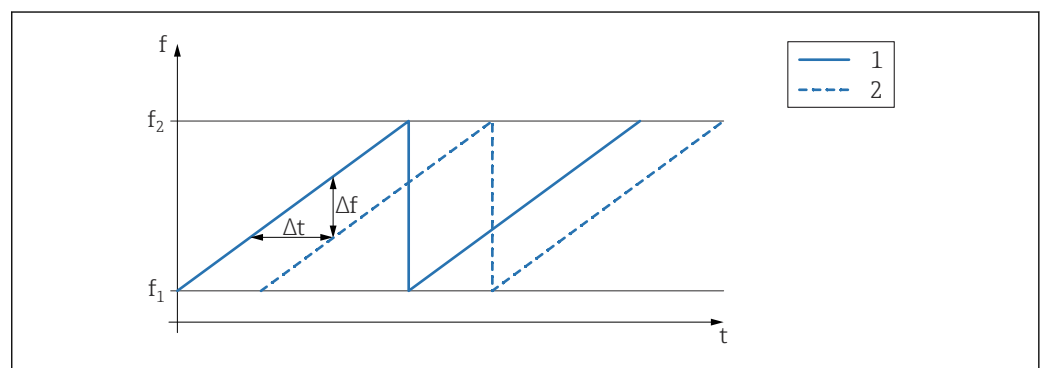
A0032017

1 FMCW principle: Transmission and reflection of the continuous wave

R Reference point of measurement

D Distance between reference point and product surface

The frequency of this wave is modulated in the form of a sawtooth signal between two limit frequencies f_1 and f_2 :



A0023771

2 FMCW principle: Result of frequency modulation

1 Transmitted signal

2 Received signal

This results in the following difference frequency at any time between the transmitted signal and the received signal:

$$\Delta f = k \Delta t$$

where Δt is the run time and k is the specified increase in frequency modulation.

Δt is given by the distance D between the reference point R and the product surface:

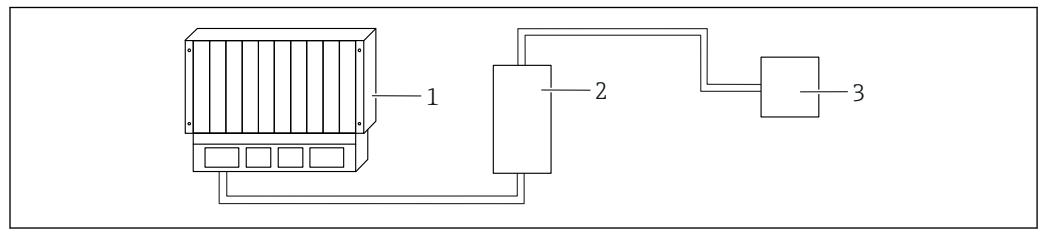
$$D = (c \Delta t) / 2$$

where c is the wave velocity.

In summary, D can be calculated from the measured difference frequency Δf . D is then used to determine the fill level or flow rate.

Measuring system

A complete measuring system comprises:



A0053220

- 1 PLC (programmable logic controller)
- 2 RMA42/RIA45 (if necessary)
- 3 Device

Communication and data processing

Bluetooth

Dependability

IT security

Our warranty is valid only if the product is installed and used as described in the Operating Instructions. The product is equipped with security mechanisms to protect it against any inadvertent changes to the settings.

IT security measures, which provide additional protection for the product and associated data transfer, must be implemented by the operators themselves in line with their security standards.

Device-specific IT security

The device offers specific functions to support protective measures by the operator. These functions can be configured by the user and guarantee greater in-operation safety if used correctly. The user role can be changed with an access code (applies to operation via Bluetooth®).

Access via Bluetooth® wireless technology

Secure signal transmission via Bluetooth® wireless technology uses an encryption method tested by the Fraunhofer Institute.

- Without the SmartBlue app, the device is not visible via Bluetooth® wireless technology.
- Only one point-to-point connection is established between the device and a smartphone or tablet.
- The Bluetooth® wireless technology interface can be disabled via SmartBlue or an operating tool via digital communication.

Input

Measured variable

The measured variable is the distance between the reference point and the product surface. The level is calculated based on **E**, the empty distance entered.

Measuring range

The measuring range starts at the point where the beam hits the tank floor. Levels below this point cannot be measured, particularly in the case of spherical bases or conical outlets.

Maximum measuring range

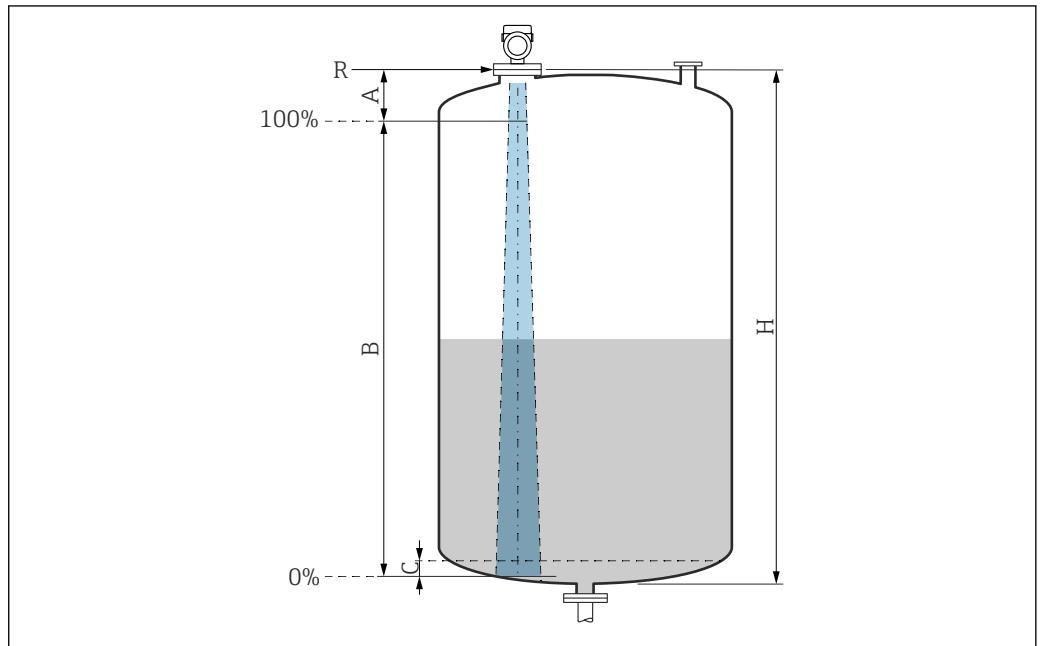
The maximum measuring range is 10 m (33 ft).

Usable measuring range

The usable measuring range depends on the medium's reflective properties, the installation position and any possible interference echoes.

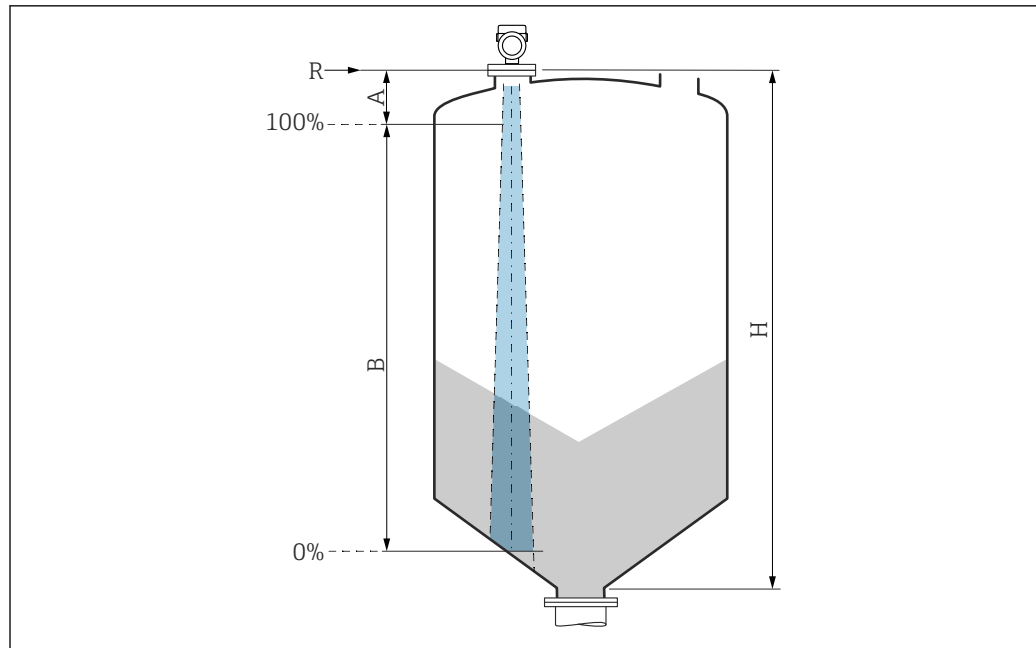
In principle, measurement is possible up to the tip of the antenna.

Depending on the position of the product (angle of repose for solids) and to avoid any material damage from corrosive or aggressive media or deposit buildup on the antenna, the end of the measuring range should be selected 10 mm (0.4 in) before the tip of the antenna.



A0051658

- A Antenna tip + 10 mm (0.4 in)
- B Usable measuring range
- C 50 to 80 mm (1.97 to 3.15 in); medium $\epsilon_r \leq 2$
- H Vessel height
- R Reference point of measurement, varies depending on the antenna system (see mechanical construction section)



A0051659

- A** Antenna tip + 10 mm (0.4 in)
B Usable measuring range
H Vessel height
R Reference point of measurement, varies depending on the antenna system (see mechanical construction section)

In the case of media with a low relative permittivity, $\epsilon_r < 2$, the tank floor may be visible through the medium at very low levels (lower than level C). Reduced accuracy must be expected in this range. If this is not acceptable, the zero point should be positioned at a distance C above the tank bottom for these applications (see figure).

The media groups and the possible measuring range are described as a function of the application and media group in the following section. If the relative permittivity of the medium is not known, to ensure a reliable measurement assume the medium belongs to group B.

Media groups

- **A** (ϵ_r 1.4 to 1.9)
Non-conductive liquids, e.g. liquefied gas
- **B** (ϵ_r 1.9 to 4)
Non-conductive liquids, e.g. gasoline, oil, toluene, etc.
- **C** (ϵ_r 4 to 10)
e.g. concentrated acid, organic solvents, ester, aniline, etc.
- **D** ($\epsilon_r > 10$)
Conductive liquids, aqueous solutions, diluted acids, bases and alcohol

i For the relative permittivity values (ϵ_r values) of many media commonly used in industry, please refer to:

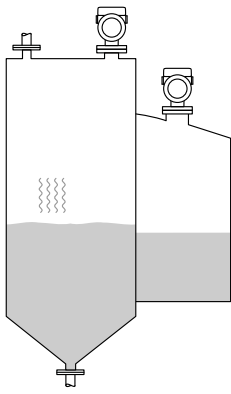
- Relative permittivity (ϵ_r value), Compendium CP01076F
- The Endress+Hauser "DC Values app" (available for Android and iOS)

Measurement in storage vessel

Storage vessel - measuring conditions

Calm medium surface (e.g. bottom filling, filling via immersion tube or rare filling from above)

40 mm (1.5 in) antenna in storage vessel

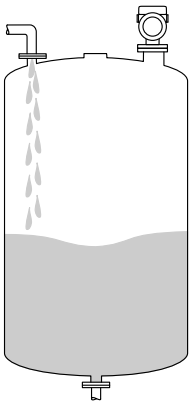
	Media group	Measuring range
	A (ϵ_r 1.4 to 1.9)	10 m (33 ft)
	B (ϵ_r 1.9 to 4)	10 m (33 ft)
	C (ϵ_r 4 to 10)	10 m (33 ft)
	D ($\epsilon_r > 10$)	10 m (33 ft)

Measurement in buffer vessel

Buffer vessel - measuring conditions

Moving medium surface (e.g. permanent free filling from above, mixing jets)

40 mm (1.5 in) antenna in buffer vessel

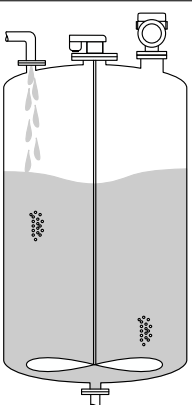
	Media group	Measuring range
	A (ϵ_r 1.4 to 1.9)	7 m (23 ft)
	B (ϵ_r 1.9 to 4)	10 m (33 ft)
	C (ϵ_r 4 to 10)	10 m (33 ft)
	D ($\epsilon_r > 10$)	10 m (33 ft)

Measurement in vessel with single-stage propeller agitator

Vessel with agitator - measuring conditions

Turbulent medium surface (e.g. from filling from above, stirrers and baffles)

40 mm (1.5 in) antenna in vessel with agitator

	Media group	Measuring range
	A (ϵ_r 1.4 to 1.9)	4 m (13 ft)
	B (ϵ_r 1.9 to 4)	5 m (16.4 ft)
	C (ϵ_r 4 to 10)	10 m (33 ft)
	D ($\epsilon_r > 10$)	10 m (33 ft)

Operating frequency approx. 80 GHz
Up to eight devices can be installed in a tank without the devices mutually influencing one another.

Transmission power

- Peak power: <1.5 mW
- Average output power: <70 μ W

Output

Output signal

- 4 to 20 mA
- The current output offers a choice of three different operating modes:
 - 4 to 20.5 mA
 - NAMUR NE 43: 3.8 to 20.5 mA (factory setting)
 - US mode: 3.9 to 20.5 mA

Signal on alarm for devices with current output

Current output

Signal on alarm in accordance with NAMUR recommendation NE 43.

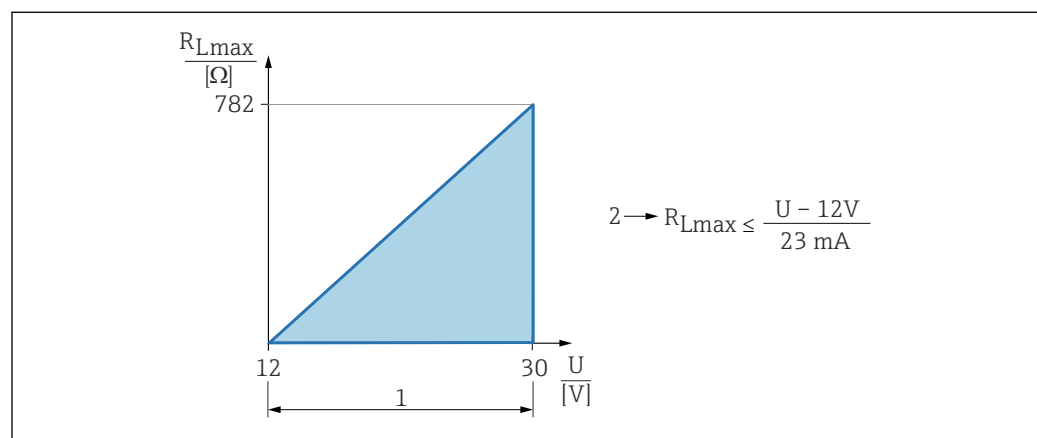
- Max. alarm: can be set from 21.5 to 23 mA
- Min. alarm: < 3.6 mA (factory setting)

Operating tool via digital communication

Status signal (according to NAMUR Recommendation NE 107):

Plain text display

Load In order to guarantee sufficient terminal voltage, a maximum load resistance R_L (including line resistance) must not be exceeded, depending on the supply voltage U of the supply unit.



A0052602

- 1 Power supply 12 to 30 V
2 R_{Lmax} maximum load resistance
U Supply voltage

If load is too great:

- Failure current is indicated and error message is displayed (indication: MIN alarm current)
- Periodic checking to establish if it is possible to quit fault state

i Operation via handheld terminal or PC with operating program: take minimum communication resistor of 250 Ω into consideration.

Damping Damping affects all continuous outputs.
Factory setting: 0 s (can be set from 0 to 999 s)

Linearization The linearization function of the device allows the conversion of the measured value into any unit of length, weight, flow or volume.

Pre-programmed linearization curves

Linearization tables for calculating the volume in the following vessels are pre-programmed into the device:

- Pyramid bottom
- Conical bottom
- Angled bottom
- Horizontal cylinder
- Sphere

Linearization tables for calculating the flow rate are pre-programmed into the device and include the following:

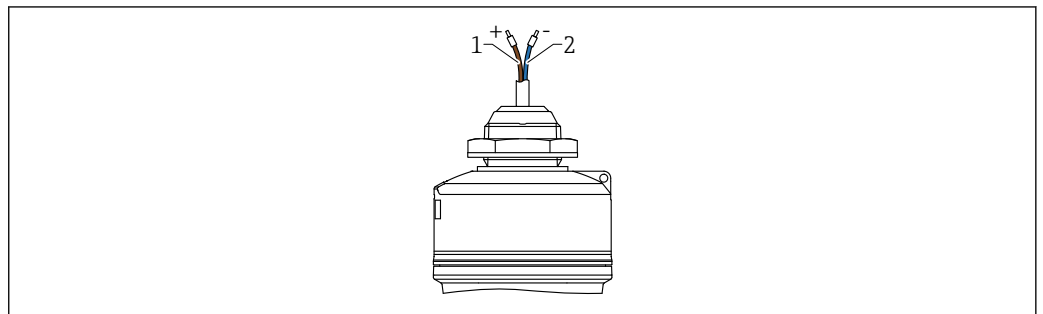
- Flumes
 - Khafagi-Venturi flume
 - Venturi flume
 - Parshall flume
 - Palmer-Bowlus flume
 - Trapezoidal flume (ISO 4359)
 - Rectangular flume (ISO 4359)
 - U-shaped flume (ISO 4359)
- Weirs
 - Trapezoidal weir
 - Rectangular broad-crested weir (ISO 3846)
 - Rectangular thin-plate weir (ISO 1438)
 - Triangular thin-plate weir (ISO 1438)
- Standard formula

Other linearization tables of up to 32 value pairs can be entered manually.

Totalizer The device offers a totalizer which adds up the flow rate. The totalizer cannot be reset.

Power supply


Cable assignment



 3 Cable assignment, cable entry from above

- 1 Plus, brown wire
- 2 Minus, blue wire

Supply voltage 12 to 30 V_{DC} on a direct current power unit

 The power unit must be safety-approved (e.g. PELV, SELV, Class 2) and must comply with the relevant protocol specifications.

Protective circuits against reverse polarity, HF influences and overvoltage peaks are installed.

Power consumption To meet device safety specifications according to the IEC/EN 61010 standard, the installation must ensure that the maximum current is limited to 500 mA.

Potential equalization No special measures for potential equalization are required.

Cable specification Unshielded cable, wire cross-section 0.5 mm²

- Resistant to UV and weather conditions as per ISO 4892-2
- Flame resistance according to IEC 60332-1-2

The device is available with a cable length of 10 m (32 ft).

Overvoltage protection

The device satisfies the IEC/DIN EN 61326-1 product standard (Table 2 Industrial environment). Depending on the type of connection (DC power supply, input line, output line), different test levels are used to prevent transient overvoltages (IEC/DIN EN 61000-4-5 Surge) in accordance with IEC/DIN EN 61326-1: Test level for DC power supply lines and IO lines: 1 000 V wire to ground.

Overvoltage category

In accordance with IEC/DIN EN 61010-1, the device is intended for use in networks with overvoltage protection category II.

Performance characteristics

Reference conditions

- As per IEC 62828-2
- Ambient temperature T_A = constant, in the range of +21 to +33 °C (+70 to +91 °F)
- Humidity φ = constant, in the range of: 5 to 80 % RH \pm 5 %
- Atmospheric pressure p_U = constant, in the range of: 860 to 1 060 mbar (12.47 to 15.37 psi)
- Supply voltage: $24 V_{DC} \pm 3 V_{DC}$
- Reflector: metal plate with diameter \geq 1 m (40 in)
- No major interference echoes inside the signal beam

Resolution

Current output: $< 1 \mu A$

Digital: 1 mm (0.04 in)

Maximum measurement error**Reference accuracy****Accuracy**

The accuracy is the sum of the non-linearity, non-repeatability and hysteresis.

For liquids:

- Measuring distance up to 0.25 m (0.82 ft): max. ± 10 mm (± 0.39 in)
- Measuring distance $>$ 0.25 m (0.82 ft): ± 5 mm (± 0.2 in)

For solids:

- Measuring distance up to 0.8 m (2.6 ft): max. ± 20 mm (± 0.79 in)
- Measuring distance $>$ 0.8 m (2.6 ft): ± 10 mm (± 0.39 in)

Non-repeatability

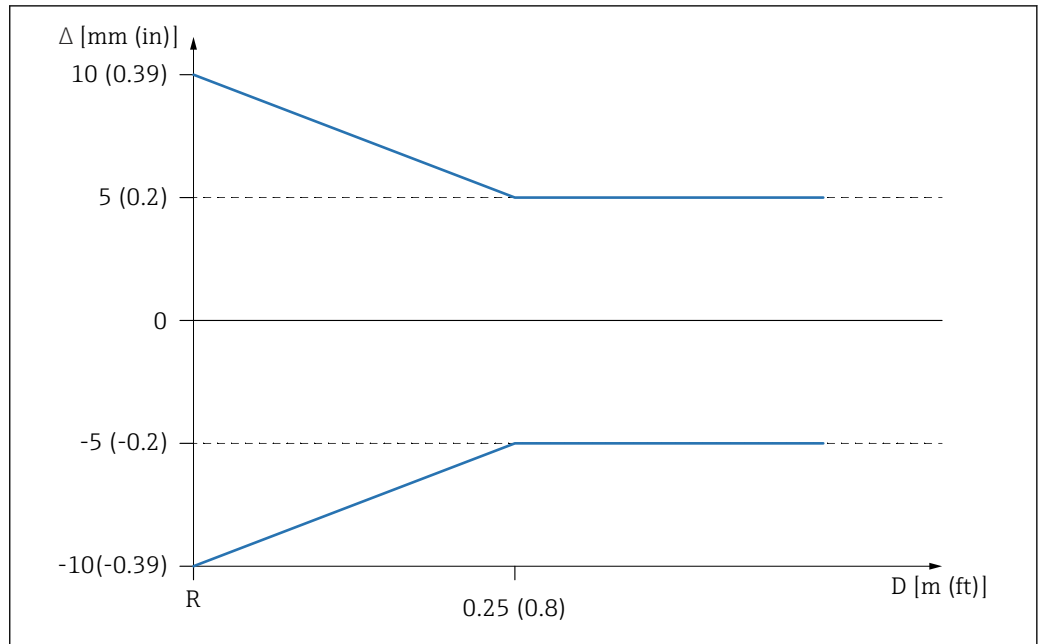
Non-repeatability is already included in the accuracy.

≤ 1 mm (0.04 in)



If conditions deviate from the reference operating conditions, the offset/zero point that results from the installation conditions can be up to ± 4 mm (± 0.16 in). This additional offset/zero point can be eliminated by entering a correction (**Level correction** parameter) during commissioning.

Differing values in near-range applications for liquids



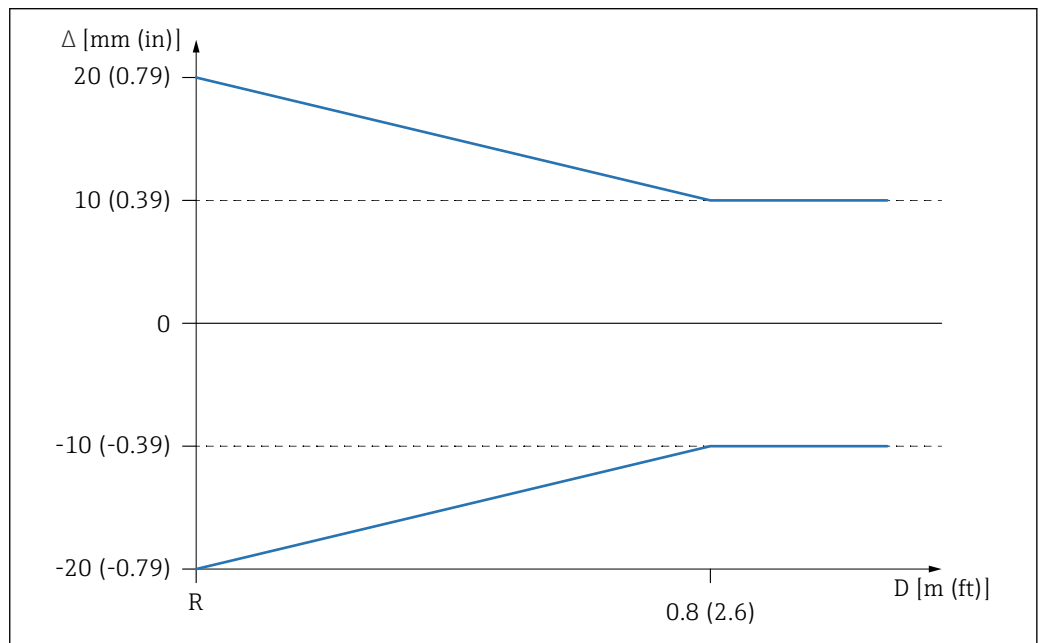
4 Maximum measurement error in near-range applications

Δ Maximum measurement error

R Reference point of the distance measurement

D Distance from reference point of antenna

Differing values in near-range applications for solids



5 Maximum measurement error in near-range applications

Δ Maximum measurement error

R Reference point of the distance measurement

D Distance from reference point of antenna

Influence of ambient temperature

The output changes due to the effect of the ambient temperature with respect to the reference temperature.

The measurements are performed according to DIN EN IEC 61298-3 / DIN EN IEC 60770-1

Digital

Average $T_C = \pm 2 \text{ mm } (\pm 0.08 \text{ in})/10 \text{ K}$

Analog (current output)

- Zero point (4 mA): average $T_C = 0.02 \text{ %}/10 \text{ K}$
- Span (20 mA): average $T_C = 0.05 \text{ %}/10 \text{ K}$

Response time

According to DIN EN IEC 61298-2 / DIN EN IEC 60770-1, the step response time is the time following an abrupt change in the input signal up until the changed output signal has adopted 90 % of the steady-state value for the first time.

The response time can be configured.

The following step response times apply (in accordance with DIN EN IEC 61298-2/DIN EN IEC 60770-1) when damping is switched off:

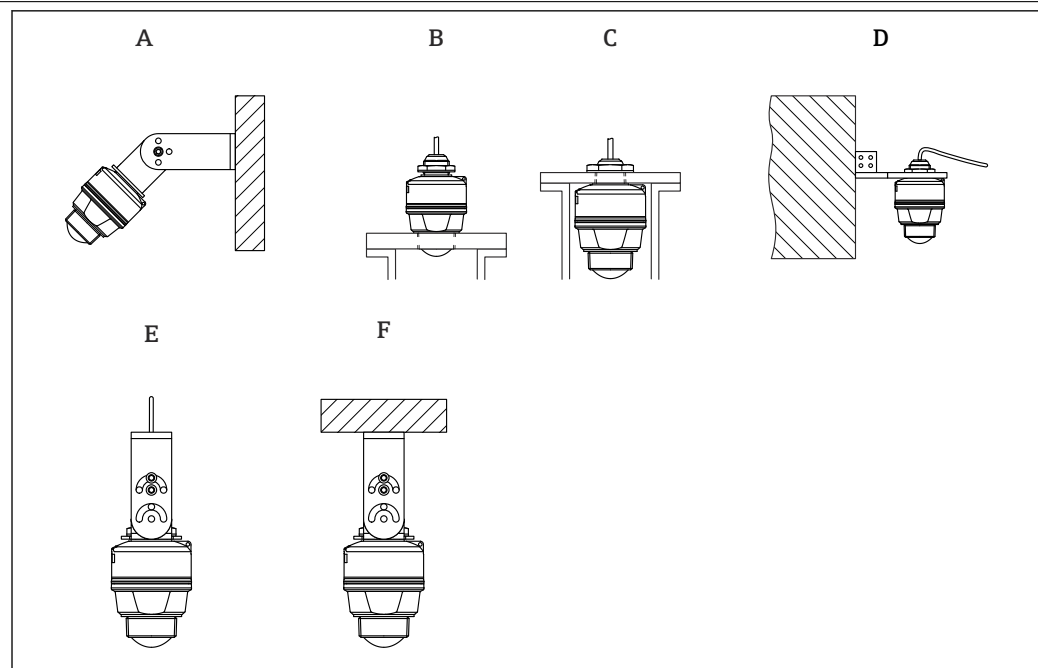
- Measuring rate $\leq 250 \text{ ms}$ at operating voltage 24 V
- Step response time $< 1 \text{ s}$

Warm-up time (according to IEC 62828-4)

The warm-up time indicates the time required for the sensor to reach its maximum accuracy or performance after the supply voltage is energized.

Warm-up time: $\leq 30 \text{ s}$

Installation

Installation types

A0055956

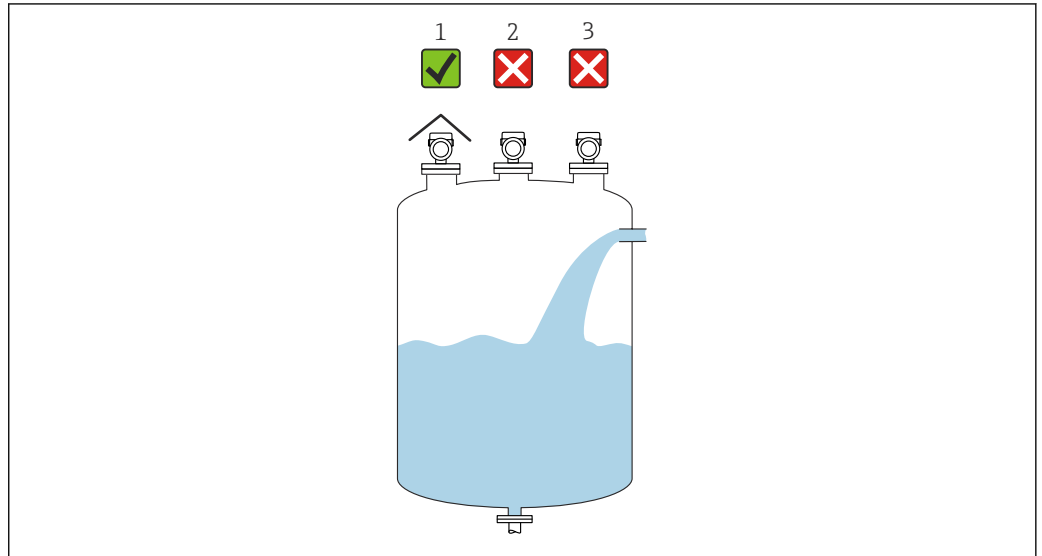
6 Wall or ceiling mount

- A Wall mounting adjustable
- B Tightened at antenna end process connection
- C Tightened at cable entry process connection
- D Wall mounting with cable entry process connection
- E Rope mounting
- F Ceiling installation

i **Caution!**

- The sensor cables are not designed as supporting cables. Do not use them for suspension purposes.
- For rope mounting, the rope must be provided by the customer.
- Always operate the device in a vertical position in free-space applications.

Mounting location

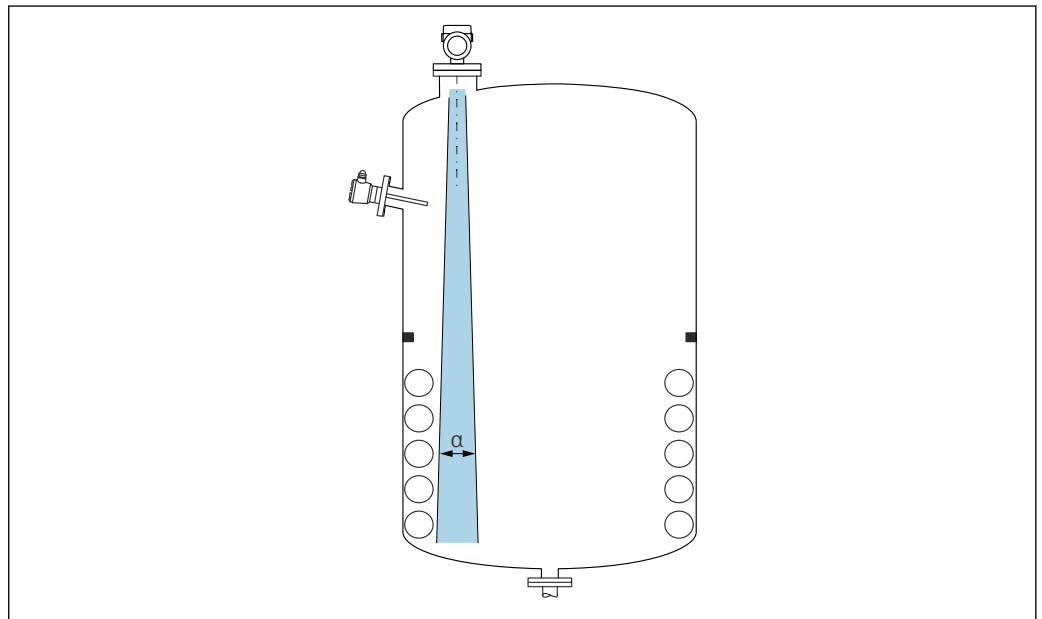


A0055811

- 1 Use of a weather protection cover; protection from direct sunlight or rain
- 2 Installation in the center, interference can cause incorrect signal evaluation
- 3 Do not install above the filling curtain

Orientation

Internal vessel fittings



A0031777

Avoid internal fittings (point level switches, temperature sensors, struts, vacuum rings, heating coils, baffles etc.) inside the signal beam. Pay attention to the beam angle α .

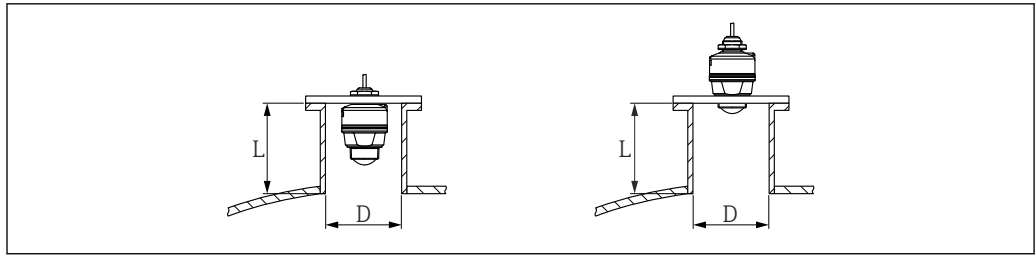
Vertical alignment of antenna axis

Align the antenna so that it is perpendicular to the product surface.

i The maximum reach of the antenna can be reduced, or additional interference signals can occur, if the antenna is not installed perpendicular to the product.

Installation instructions

To ensure optimum measurement, the antenna should protrude from the nozzle. The interior of the nozzle must be smooth and must not contain any edges or welded joints. The edge of the nozzle should be rounded if possible.



A0055958

7 Nozzle installation, 40 mm (1.5 in) antenna

The maximum nozzle length **L** depends on the nozzle diameter **D**.

Please note the limits for the diameter and length of the nozzle.

40 mm (1.5 in) antenna, installation outside nozzle

- D: min. 40 mm (1.5 in)
- L: max. (D - 30 mm (1.2 in)) × 7.5

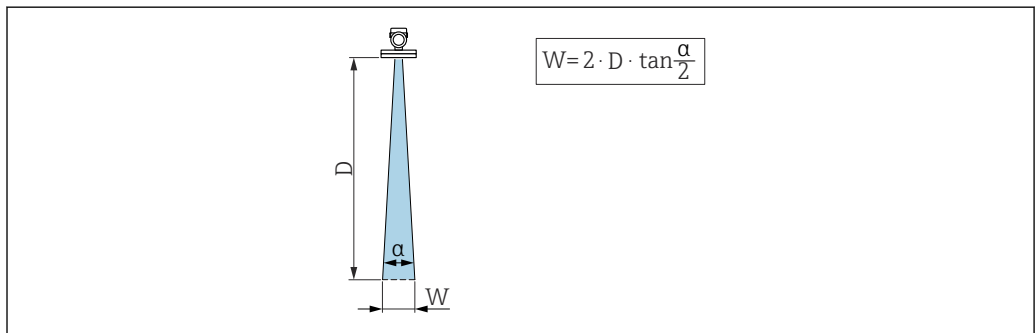
40 mm (1.5 in) antenna, installation inside nozzle

- D: min. 80 mm (3 in)
- L: max. 100 mm (3.94 in) + (D - 30 mm (1.2 in)) × 7.5

Beam angle

Calculation

The beam angle is defined as the angle α at which the energy density of the radar waves reaches half the value of the maximum energy density (3dB width). Microwaves are also emitted outside the signal beam and can be reflected off interfering installations.



A0031824

8 Relationship between beam angle α , distance **D** and beamwidth diameter **W**

i The beamwidth diameter **W** depends on the beam angle α and the distance **D**.

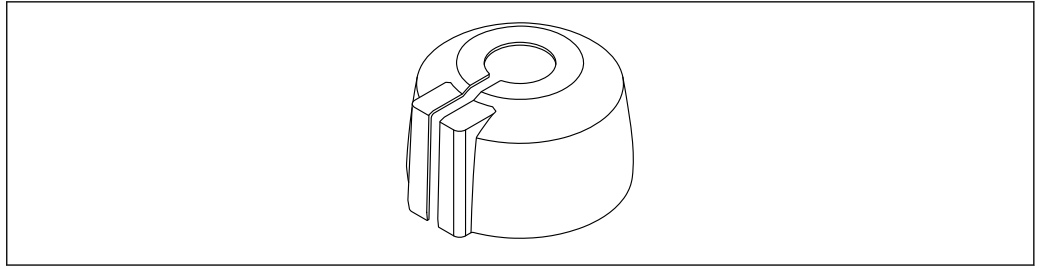
Antenna 40 mm (1.5 in), $\alpha = 8^\circ$

$W = D \times 0.14$	D	W
	5 m (16 ft)	0.70 m (2.29 ft)
	10 m (33 ft)	1.40 m (4.58 ft)


Weather protective cover

A weather protective cover is recommended for outdoor use.

It can be ordered as an optional accessory.



A0055999

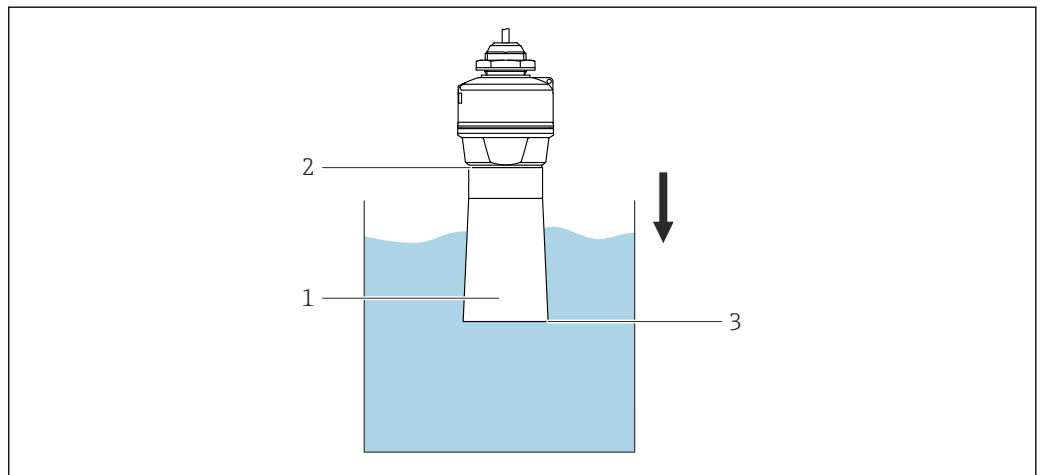
 9 Weather protective cover, cable entry from above

 The sensor is not completely covered by the weather protective cover.

Flooding protection tube

The flooding protection tube ensures the sensor measures the maximum level even if it is completely flooded.

It can be ordered as an optional accessory.



A0056000

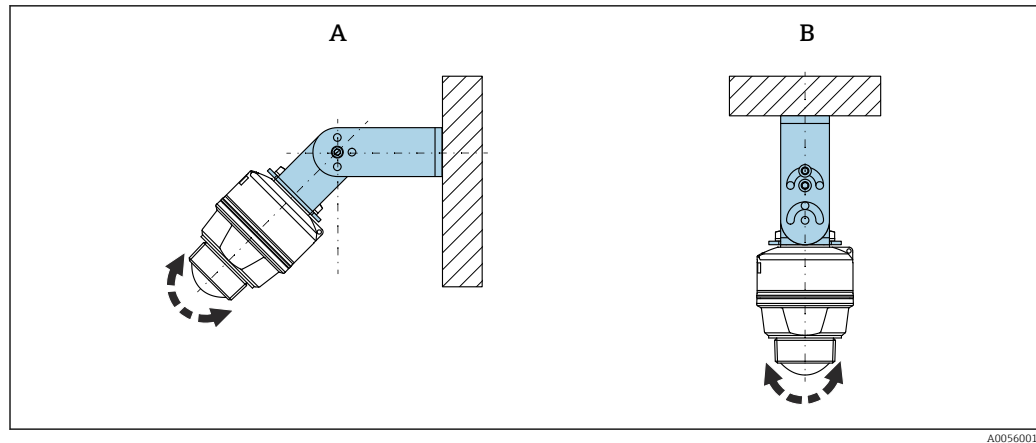
 10 Function of flooding protection tube

- 1 Air pocket
- 2 O-ring (EPDM) seal
- 3 Max. level

The tube is screwed directly onto the sensor and seals off the system by means of an O-ring making it air-tight. In the event of flooding, the air pocket that forms in the tube ensures the measurement of the maximum level at the end of the tube.

Installation with mounting bracket, adjustable

The mounting bracket can be ordered as an optional accessory.



A0056001

■ 11 Installation with mounting bracket, adjustable

- A Mounting bracket, adjustable for 40 mm (1.5 in) antenna, wall mounting
 B Mounting bracket, adjustable for 40 mm (1.5 in) antenna, ceiling mounting

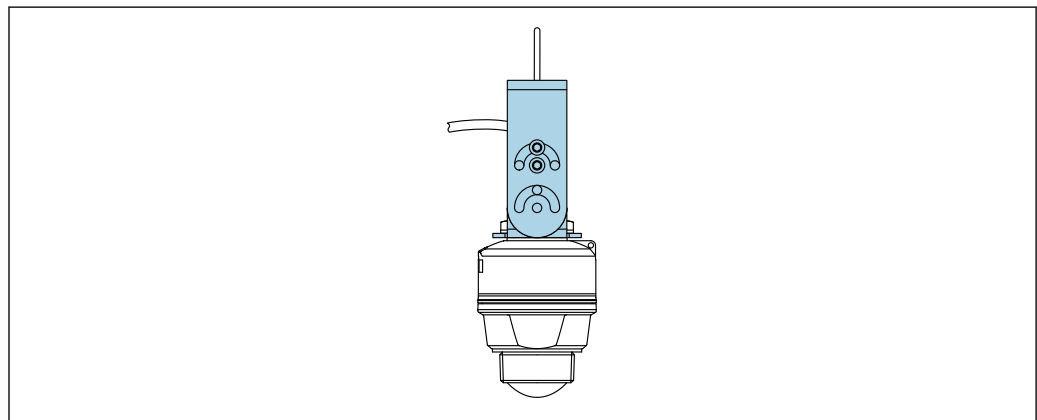
- Wall or ceiling installation is possible.
- Using the mounting bracket, position the antenna so that it is perpendicular to the product surface.

NOTICE

There is no conductive connection between the mounting bracket and transmitter housing.
 Electrostatic charging possible.

- ▶ Integrate the mounting bracket in the local potential equalization system.

Rope mounting



A0056002

■ 12 Installation with rope mounting

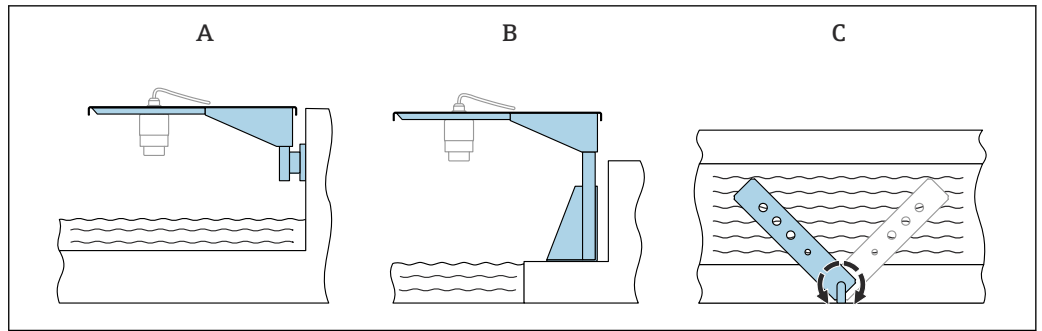
Mounting bracket, adjustable for 40 mm (1.5 in) antenna, rope mounting

Align the antenna so that it is perpendicular to the product surface.

- In the case of rope mounting, note that the cable should not be used to suspend the device.
 The use of a separate rope is required.

Cantilever installation, with pivot

The cantilever, wall bracket and mounting frame can be ordered as accessories.



A0028412

13 Cantilever installation, with pivot

A Cantilever with wall bracket (side view)

B Cantilever with mounting frame (side view)

C Cantilever can be turned, e.g. in order to position the device over the center of the flume (top view)

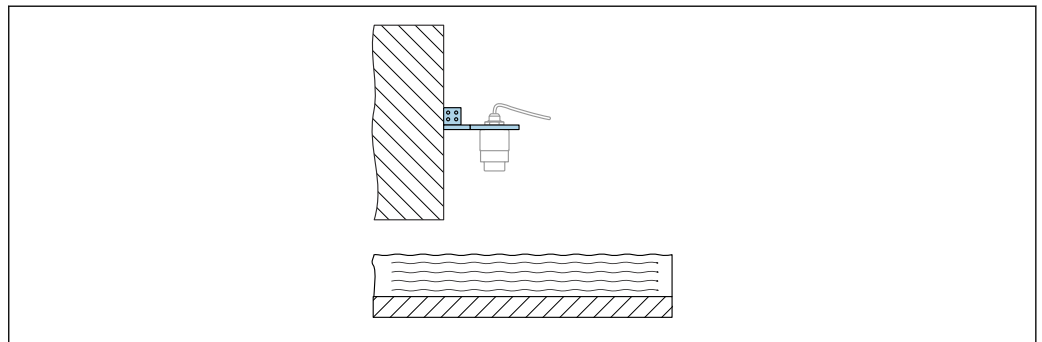
NOTICE

There is no conductive connection between the mounting bracket and transmitter housing. Electrostatic charging possible.

- ▶ Integrate the mounting bracket in the local potential equalization system.

Mounting with a pivotable mounting bracket

The pivotable mounting bracket can be ordered as an optional accessory.



A0055398

14 Pivotable and adjustable cantilever with wall bracket (e.g. to align the device with the center of a flume)

NOTICE

There is no conductive connection between the mounting bracket and transmitter housing. Electrostatic charging possible.

- ▶ Integrate the mounting bracket in the local potential equalization system.

Environment

Ambient temperature range	Measuring instrument: -40 to +60 °C (-40 to +140 °F) If operating outdoors in strong sunlight: <ul style="list-style-type: none"> ■ Mount the device in the shade. ■ Avoid direct sunlight, particularly in warmer climatic regions. ■ Use a weather protective cover.
Storage temperature	-40 to +80 °C (-40 to +176 °F)
Climate class	According to IEC 60068-2-38 test Z/AD (relative humidity 4 to 100 %).
Operating height	Up to 5 000 m (16 404 ft) above sea level

Degree of protection

Test as per IEC 60529 Edition 2.2 2013-08/DIN EN 60529 2014-09 and NEMA 250-2014:

- IP66, NEMA Type 4X
- IP68, NEMA Type 6P (24 h at 1.83 m (6.00 ft) under water)

Vibration resistance

- Stochastic noise (random sweep) as per DIN EN 60068-2-64 Case 2/ IEC 60068-2-64 Case 2
- Guaranteed for 5 to 2 000 Hz: $1.25 (m/s^2)^2/Hz$, ~ 5 g

Electromagnetic compatibility (EMC)

- Electromagnetic compatibility as per EN 61326 series and NAMUR recommendation EMC (NE21)
- Maximum measured error during EMC testing: < 0.5 % of the span.

For more details, refer to the EU Declaration of Conformity (www.endress.com/downloads).

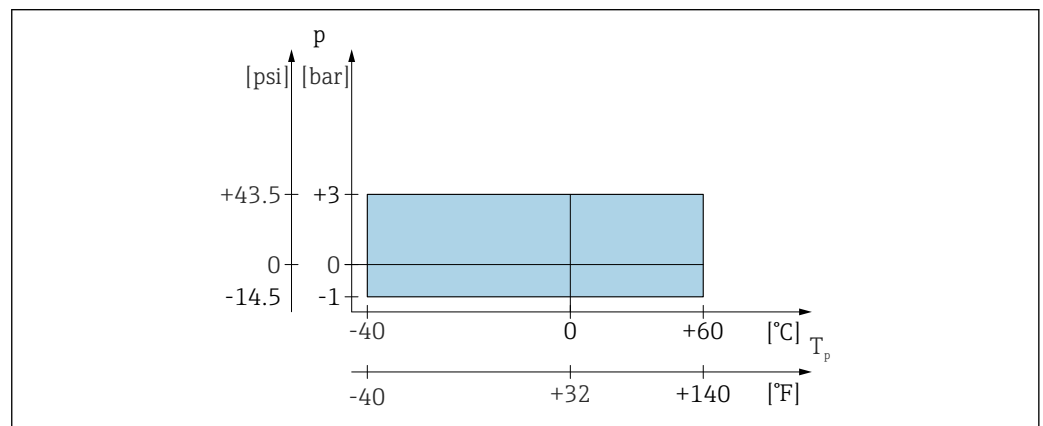
Process

Process temperature, process pressure

⚠ WARNING

The maximum pressure for the device depends on the lowest-rated component with regard to pressure (components are: process connection, optional mounted parts or accessories).

- ▶ Only operate the device within the specified limits for the components!
- ▶ MWP (Maximum Working Pressure): The MWP is specified on the nameplate. This value refers to a reference temperature of +20 °C (+68 °F) and may be applied to the device for an unlimited time. Note temperature dependence of MWP. For flanges, refer to the following standards for the permitted pressure values at higher temperatures: EN 1092-1 (with regard to their stability/temperature property, the materials 1.4435 and 1.4404 are grouped together under EN 1092-1; the chemical composition of the two materials can be identical), ASME B16.5, JIS B2220 (the latest version of the standard applies in each case). MWP data that deviate from this are provided in the relevant sections of the Technical Information.
- ▶ The Pressure Equipment Directive (2014/68/EU) uses the abbreviation **PS**. This corresponds to the maximum working pressure (MWP) of the device.



A0056008

15 Permitted range for process temperature and process pressure

Process temperature range

-40 to +60 °C (-40 to +140 °F)

Process pressure range, 40 mm (1.5 in) antenna

- $p_{\text{gauge}} = -1 \text{ to } 3 \text{ bar}$ (-14.5 to 43.5 psi)
- $p_{\text{abs}} \leq 4 \text{ bar}$ (58 psi)



The pressure range may be further restricted in the case of a CRN approval.

Relative permittivity

For liquids

- $\epsilon_r \geq 1.8$
- Contact Endress+Hauser for lower ϵ_r values

For bulk solids

$\epsilon_r \geq 1.6$

For applications with a lower relative permittivity than indicated, contact Endress+Hauser.



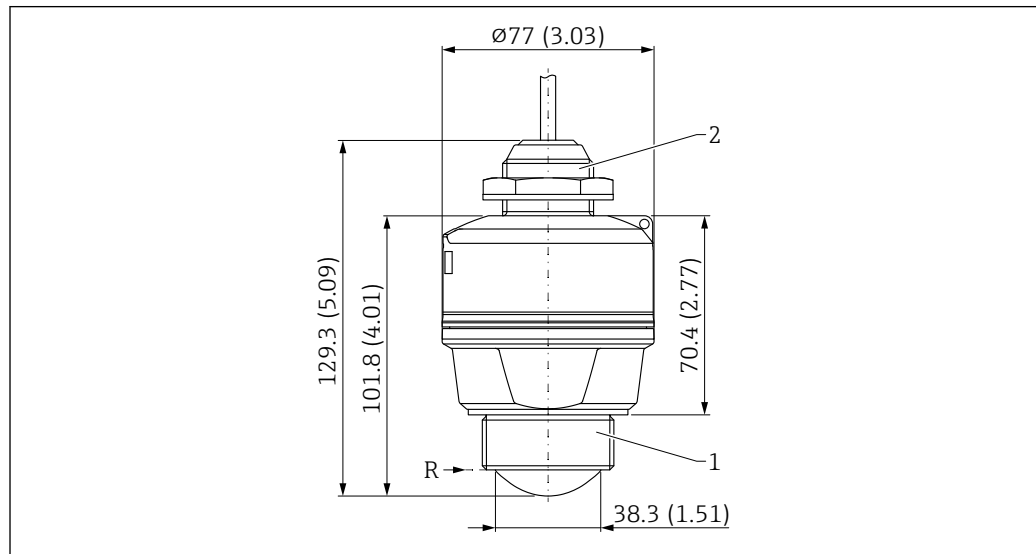
For the relative permittivity values (ϵ_r values) of many media commonly used in industry, please refer to:

- Relative permittivity (ϵ_r value), Compendium CP01076F
- The Endress+Hauser "DC Values app" (available for Android and iOS)

Mechanical construction

Dimensions

40 mm (1.5 in) antenna, cable entry from above

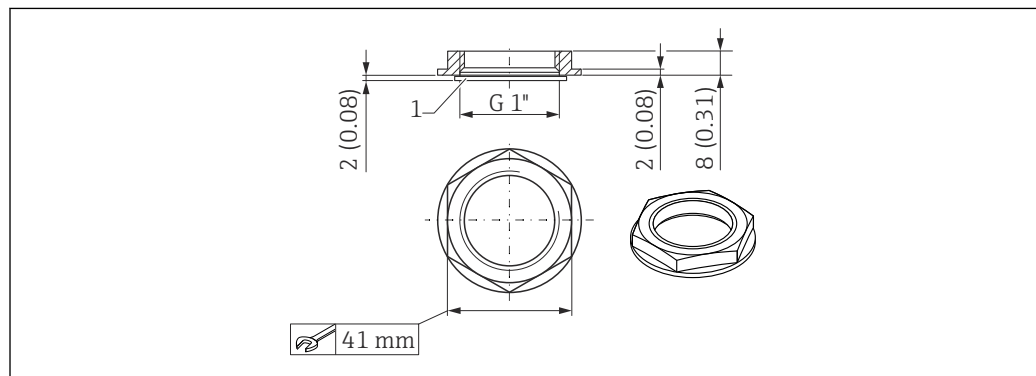


A0055109

16 Dimensions; 40 mm (1.5 in) antenna with cable entry from above. Unit of measurement mm (in)

- R Reference point of the measurement
 1 Antenna end process connection, thread
 2 Cable entry from above process connection

Counter nut, cable entry from above process connection



A0028419

17 Dimensions; counter nut, cable entry from above process connection. Unit of measurement mm (in)

- 1 Seal

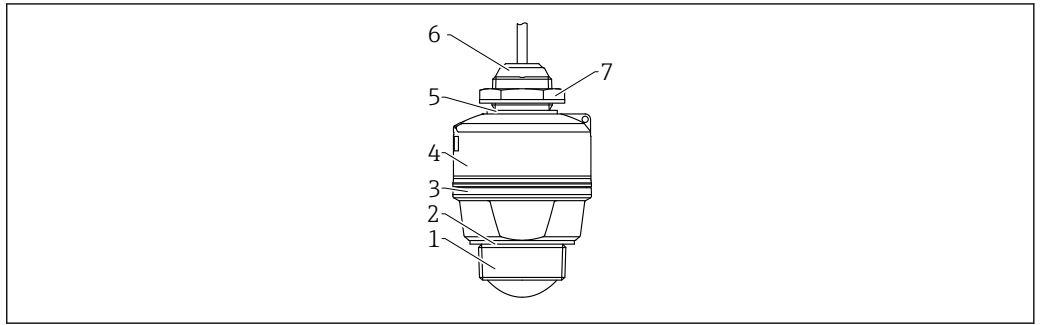
- The counter nut with seal (EPDM) is included in the scope of delivery
- Material: PA6.6

Weight

Weight (including 10 m (33 ft) cable)

Device with 40 mm (1.5 in) antenna: Approx. 0.7 kg (1.5 lb)

Materials



A0056009

18 Overview of materials; 40 mm (1.5 in) antenna, cable entry thread

- 1 Antenna end process connection; PVDF
- 2 EPDM seal (for G 1½" thread)
- 3 PBT/PC design ring
- 4 PBT/PC sensor housing
- 5 EPDM seal
- 6 Cable entry process connection: PBT/PC
- 7 Counter nut; PA6.6

Connecting cable

Standard length: 10 m (33 ft)

If longer cable lengths are required, an extension cable must be used.

In this case, the total cable length (sensor cable + extension cable) must not exceed 300 m (984 ft).

Material : PVC

Operability

Operation concept

Operator-oriented menu structure for user-specific tasks

- User navigation
- Diagnostics
- Application
- System

Quick and safe commissioning

- Interactive wizard with graphical interface for guided commissioning in DeviceCare or SmartBlue app
- Menu guidance with brief descriptions of the individual parameter functions

Integrated data memory

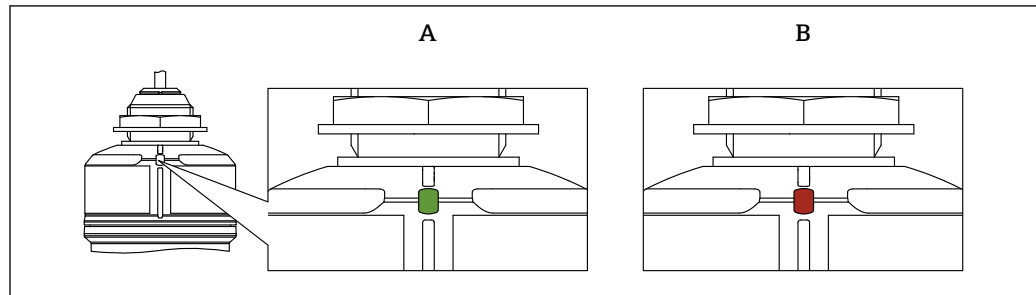
Up to 100 event messages recorded in the device

Efficient diagnostics increase measurement reliability


- Remedial measures are integrated in plain text
- Various simulation options

Bluetooth

- Quick and easy setup with the SmartBlue app or FieldXpert SMT70/SMT77
- No additional tools or adapters needed
- Encrypted single point-to-point data transmission (tested by Fraunhofer Institute) and password-protected communication via *Bluetooth*® wireless technology

LED indicator

A0055146

 19 LED indicator on the device

A Green LED

B Red LED

Functions:

- Displays the operating status
 - Operation (green)
 - Fault (red)
- Displays an active Bluetooth connection (flashing)

Remote operation**Operation via Bluetooth® wireless technology**

Prerequisite:

Smartphone or tablet with Endress+Hauser SmartBlue app or PC with DeviceCare from version 1.07.07 or FieldXpert SMT70/SMT77

The connection has a range of up to 25 m (82 ft). The range can vary depending on environmental conditions such as attachments, walls or ceilings.

Supported operating tools

Smartphone or tablet with Endress+Hauser SmartBlue app or DeviceCare, version 1.07.07 and higher.

Certificates and approvals

Current certificates and approvals for the product are available at www.endress.com on the relevant product page:

1. Select the product using the filters and search field.
2. Open the product page.
3. Select **Downloads**.

Radio standard EN 302729

The devices are approved for unrestricted use inside and outside closed containers in countries of the EU and the EFTA. As a prerequisite, the countries must have already implemented this standard.

The standard is already implemented in the following countries:

Belgium, Bulgaria, Germany, Denmark, Estonia, France, Greece, UK, Ireland, Iceland, Italy, Liechtenstein, Lithuania, Latvia, Malta, The Netherlands, Norway, Austria, Poland, Portugal, Romania, Sweden, Switzerland, Slovakia, Spain, Czech Republic and Cyprus.

Implementation is still underway in all of the countries not listed.

Please note the following for operation of the devices outside of closed vessels:

- Installation must be carried out by properly trained, expert staff
- The device antenna must be installed in a fixed location pointing vertically downwards
- The mounting site must be located at a distance of 4 km (2.49 mi) from the astronomy stations listed below or otherwise approval must be provided by the relevant authority. If a device is installed within a radius of 4 to 40 km (2.49 to 24.86 mi) around one of the listed stations, it must not be installed at a height of more than 15 m (49 ft) above the ground

Astronomy stations

Country	Name of the station	Latitude	Longitude
Germany	Effelsberg	50° 31' 32" North	06° 53' 00" East
Finland	Metsähovi	60° 13' 04" North	24° 23' 37" East
	Tuorla	60° 24' 56" North	24° 26' 31" East
France	Plateau de Bure	44° 38' 01" North	05° 54' 26" East
	Floirac	44° 50' 10" North	00° 31' 37" West
Great Britain	Cambridge	52° 09' 59" North	00° 02' 20" East
	Damhall	53° 09' 22" North	02° 32' 03" West
	Jodrell Bank	53° 14' 10" North	02° 18' 26" West
	Knockin	52° 47' 24" North	02° 59' 45" West
	Pickmere	53° 17' 18" North	02° 26' 38" West
Italy	Medicina	44° 31' 14" North	11° 38' 49" East
	Noto	36° 52' 34" North	14° 59' 21" East
	Sardinia	39° 29' 50" North	09° 14' 40" East
Poland	Fort Skala Krakow	50° 03' 18" North	19° 49' 36" East
Russia	Dmitrov	56° 26' 00" North	37° 27' 00" East
	Kalyazin	57° 13' 22" North	37° 54' 01" East
	Pushchino	54° 49' 00" North	37° 40' 00" East
	Zelenchukskaya	43° 49' 53" North	41° 35' 32" East
Sweden	Onsala	57° 23' 45" North	11° 55' 35" East
Switzerland	Bleien	47° 20' 26" North	08° 06' 44" East

Country	Name of the station	Latitude	Longitude
Spain	Yebes	40° 31' 27" North	03° 05' 22" West
	Robledo	40° 25' 38" North	04° 14' 57" West
Hungary	Penc	47° 47' 22" North	19° 16' 53" East

 As a general rule, the requirements outlined in EN 302729 must be observed.


FCC

This device complies with Part 15 of the FCC rules. Operation is subject to the following two conditions: (1) This device may not cause harmful interference, and (2) this device must accept any interference received, including interference that may cause undesired operation.

[Any] changes or modifications not expressly approved by the party responsible for compliance could void the user's authority to operate the equipment.

The devices are compliant with the FCC Code of Federal Regulations, CFR 47, Part 15, Sections 15.205, 15.207, 15.209.

To comply with FCC RF Exposure requirements for an uncontrolled environment, this device must be installed and operated to assure a minimum separation distance of at least 20 cm.

 In addition, the devices are compliant with Section 15.256. For these LPR (Level Probe Radar) applications the devices must be professionally installed in a downward operating position. In addition, the devices are not allowed to be mounted in a zone of 4 km (2.49 mi) around RAS stations and within a radius of 40 km (24.86 mi) around RAS stations the maximum operation height of devices is 15 m (49 ft) above ground.

Industry Canada

Canada CNR-Gen Section 8.4

This device complies with Industry Canada licence-exempt RSS standard(s). Operation is subject to the following two conditions: (1) This device may not interference, and (2) this device must accept any interference, including interference that may cause undesired operation of the device.

Le présent appareil est conforme aux CNR d'Industrie Canada applicables aux appareils radio exempts de licence. L'exploitation est autorisée aux deux conditions suivantes : (1) l'appareil ne doit pas produire de brouillage, et (2) l'utilisateur de l'appareil doit accepter tout brouillage radioélectrique subi, même si le brouillage est susceptible d'en compromettre le fonctionnement.

[Any] changes or modifications not expressly approved by the party responsible for compliance could void the user's authority to operate the equipment.

- The installation of the LPR/TLPR device shall be done by trained installers, in strict compliance with the manufacturer's instructions.
- The use of this device is on a "no-interference, no-protection" basis. That is, the user shall accept operations of high-powered radar in the same frequency band which may interfere with or damage this device. However, devices found to interfere with primary licensing operations will be required to be removed at the user's expense.
- To comply with ISED RF Exposure requirements for an uncontrolled environment, this device must be installed and operated to assure a minimum separation distance of at least 20 cm.
- The installer/user of this device shall ensure that it is at least 10 km from the Dominion Astrophysical Radio Observatory (DRAO) near Penticton, British Columbia. The coordinates of the DRAO are latitude 49°19'15" N and longitude 119°37'12" W. For devices not meeting this 10 km separation (e.g., those in the Okanagan Valley, British Columbia,) the installer/user must coordinate with, and obtain the written concurrence of, the Director of the DRAO before the equipment can be installed or operated. The Director of the DRAO may be contacted at 250-497-2300 (tel.) or 250-497-2355 (fax). (Alternatively, the Manager, Regulatory Standards Industry Canada, may be contacted.)

Ordering information

Detailed ordering information is available from your nearest sales organization www.addresses.endress.com or in the Product Configurator at www.endress.com:

1. Select the product using the filters and search field.

2. Open the product page.
3. Select **Configuration**.



Product Configurator - the tool for individual product configuration

- Up-to-the-minute configuration data
- Depending on the device: Direct input of measuring point-specific information such as measuring range or operating language
- Automatic verification of exclusion criteria
- Automatic creation of the order code and its breakdown in PDF or Excel output format
- Ability to order directly in the Endress+Hauser Online Shop

Identification

Measuring point (TAG)

The device can be ordered with a tag name.

Location of tagging

In the additional specification, select:

- Stainless steel tag plate
- TAG provided by the customer
- IEC 61406 stainless steel TAG
- IEC 61406 stainless steel, stainless steel TAG
- IEC 61406 stainless steel TAG, enclosed plate

Definition of tag name

In the additional specification, specify:

3 lines of maximum 18 characters each

The specified tag name appears on the selected plate.

Visualization in SmartBlue app

The first 32 characters of the tag name

The tag name can always be changed specifically for the measuring point via Bluetooth.

Display in electronic nameplate (ENP)

The first 32 characters of the tag name



For details, refer to document SD03128P

Service

The following services, among others, can be selected using the Product Configurator.

- Set medium
- Set damping
- Set max. alarm current
- Customized empty/full calibration
- Product documentation on paper
A printed (hard copy) version of test reports can optionally be ordered via the **Service, Version, Product documentation on paper** option.

Accessories

Accessories currently available for the product can be selected via the Product Configurator at www.endress.com:

1. Select the product using the filters and search field.
2. Open the product page.
3. Select **Spare parts & Accessories**.

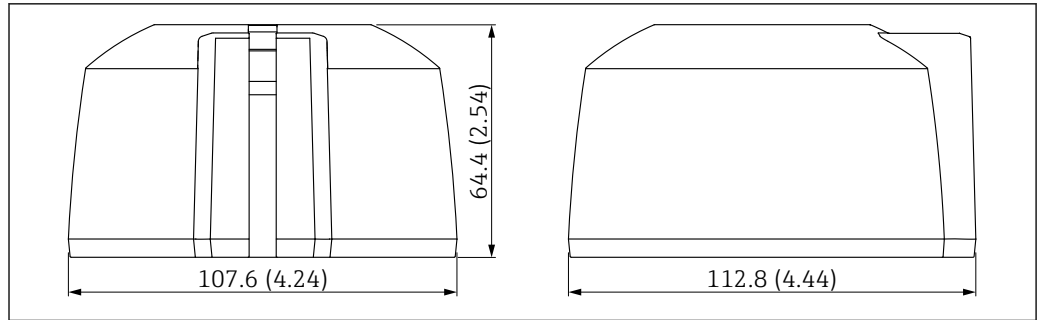


The accessories can be partially ordered via the "Accessory enclosed" product structure.

Weather protective cover for device with cable entry from above



The sensor is not completely covered.



A0055295

20 Dimensions for weather protective cover G1/NPT1, cable entry from above. Unit of measurement mm (in)

Material

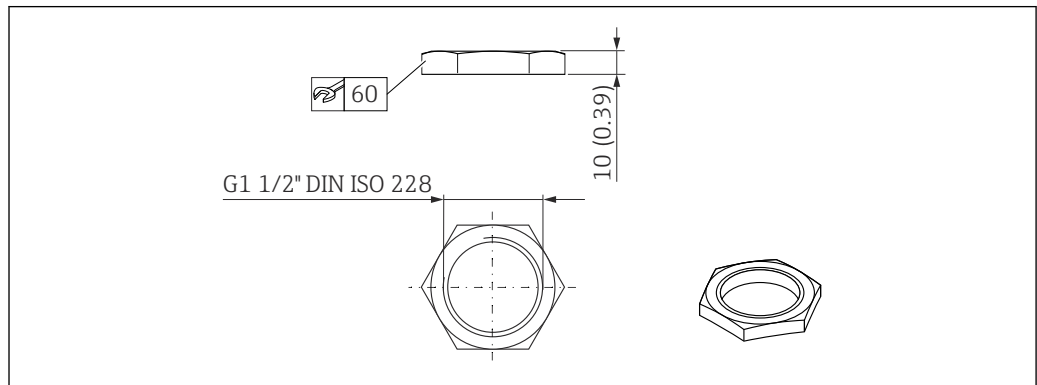
PBT/PC

Order code

71662413

Securing nut G 1½"

Suitable for devices with G 1½" and MNPT 1½" process connection.



A0028849

21 Dimensions of securing nut. Unit of measurement mm (in)

Material

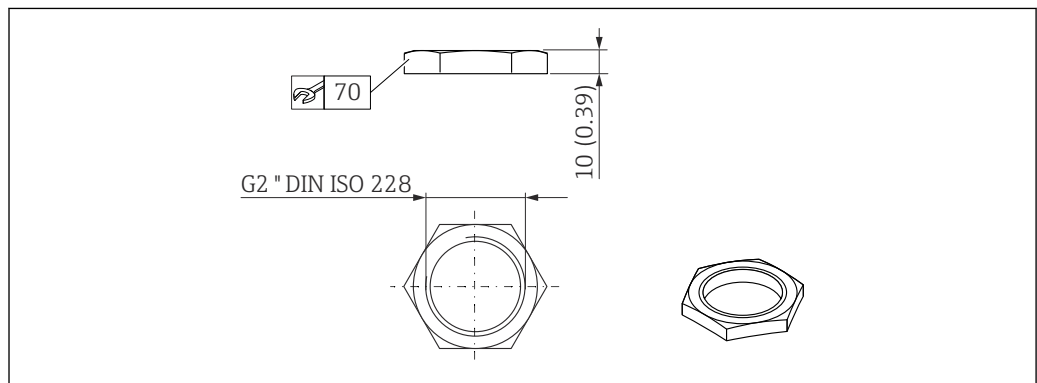
PC

Order code

52014146

Securing nut G 2"

Suitable for devices with G 2" and MNPT 2" antenna end process connection.



A0029101

22 Dimensions of securing nut. Unit of measurement mm (in)

Material

PC

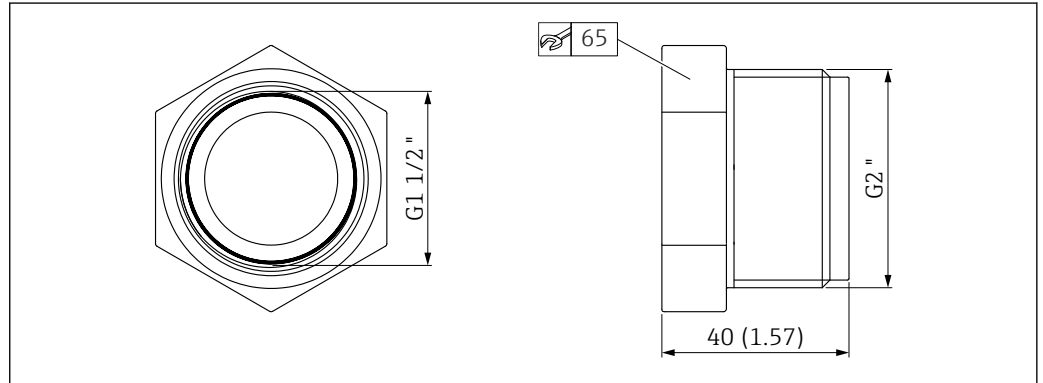
Order code

52000598

Uni adapter G 1½" > G 2"



Temperature range -40 to 45 °C (-40 to 113 °F)



A0055B48

23 Dimensions of Uni adapter

Material

PVC

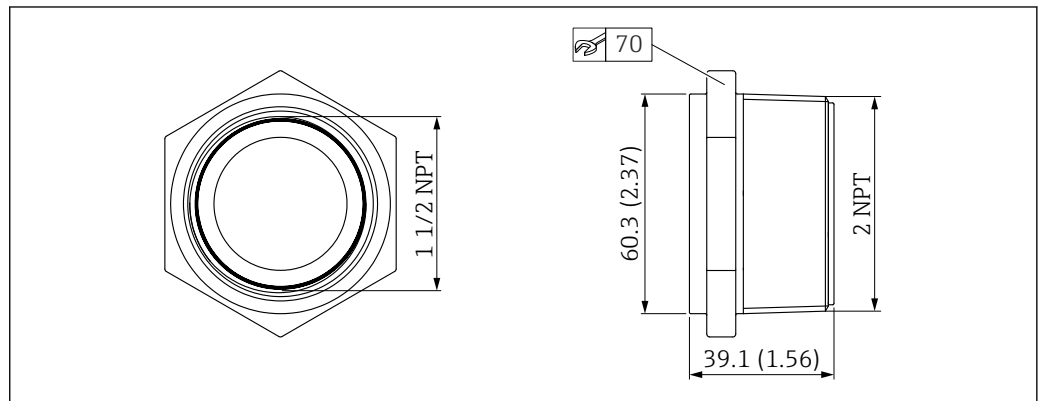
Order code

71662415

Uni adapter MNPT 1½" > MNPT 2"



Temperature range -40 to 65 °C (-40 to 150 °F)



A0055B47

24 Dimensions of Uni adapter

Material

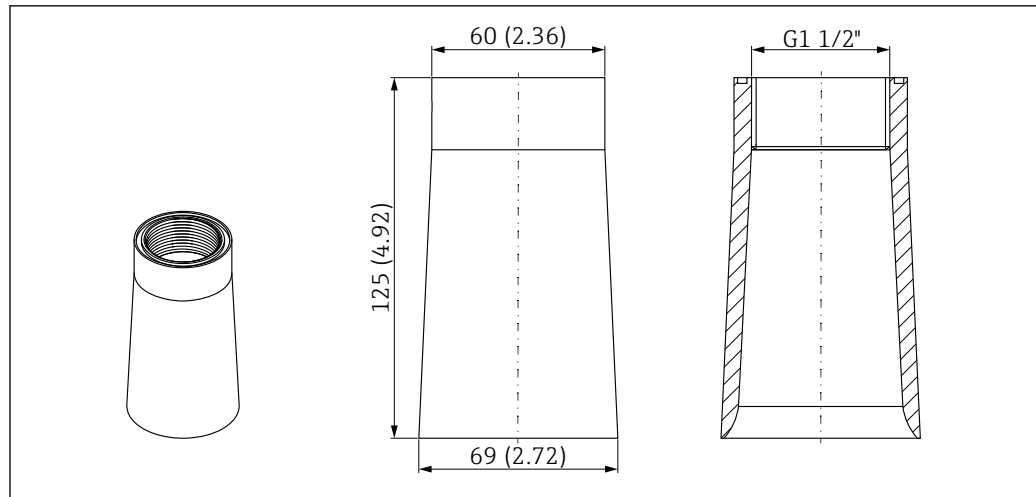
PP

Order code

71666515

**Flooding protection tube
40 mm (1.5 in)**

Suitable for use with devices with a 40 mm (1.5 in) antenna and G 1½" antenna end thread process connection



A0055301

25 Flooding protection tube dimensions 40 mm (1.5 in). Unit of measurement mm (in)

Material

PP

Order code

71091216

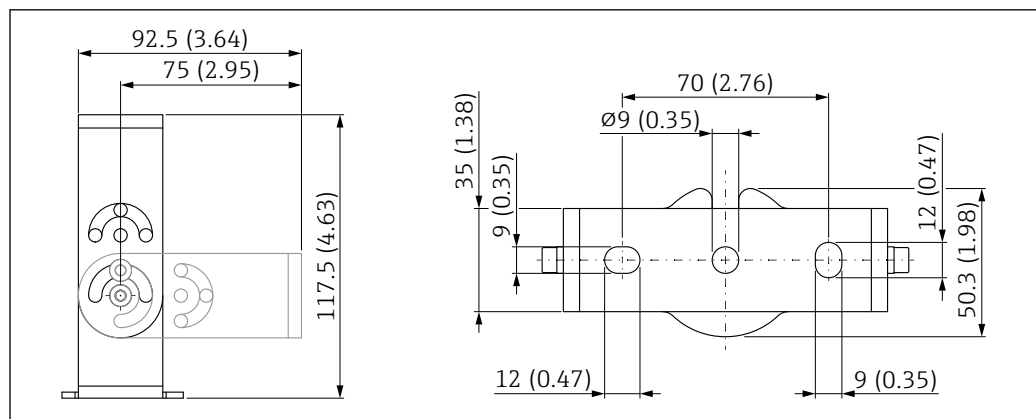
Mounting bracket, adjustable, wall/rope/ceiling, 75 mm

The mounting bracket can be used for mounting on a wall, a rope or a ceiling.

Two versions are available:

- Cable entry process connection G 1"/NPT 1"
- Antenna end process connection G 1½"/NPT 1½"

Cable entry process connection G 1"/NPT 1"



A0055384

26 Dimensions of mounting bracket. Unit of measurement mm (in)

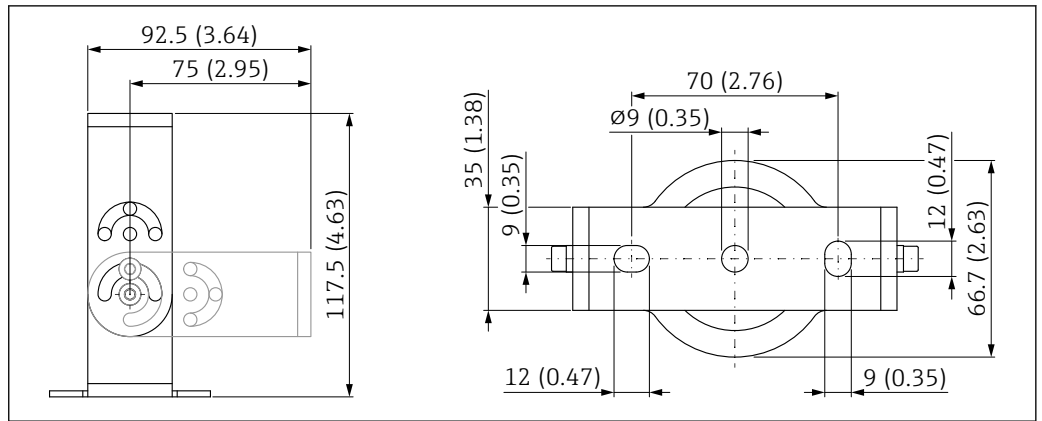
Consists of:

- 1 × mounting bracket, 316L (1.4404)
- 1 × angle bracket, 316L (1.4404)
- 3 × screws, A4
- 3 × securing disks, A4

Order number (G 1"/NPT 1")

71325079

Antenna end process connection G 1½"/NPT 1½"



27 Dimensions of mounting bracket. Unit of measurement mm (in)

Consists of:

- 1 × mounting bracket, 316L (1.4404)
- 1 × angle bracket, 316L (1.4404)
- 3 × screws, A4
- 3 × securing disks, A4
- 1 × securing nut G 1½"

Order number (G 1½"/NPT 1½")

71662419

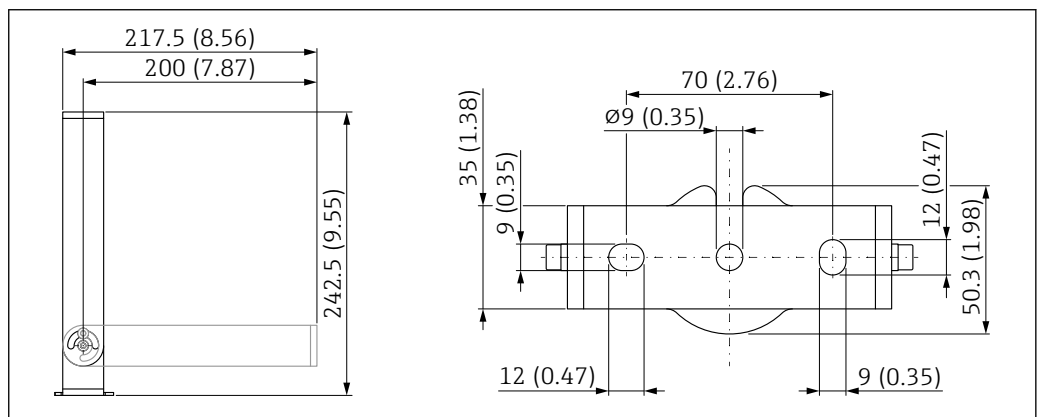
Mounting bracket, adjustable, wall, 200 mm

The mounting bracket can be used for mounting on a wall.

Two versions are available:

- Cable entry process connection G 1"/NPT 1"
- Antenna end process connection G 1½"/NPT 1½"

Cable entry process connection G 1"/NPT 1"



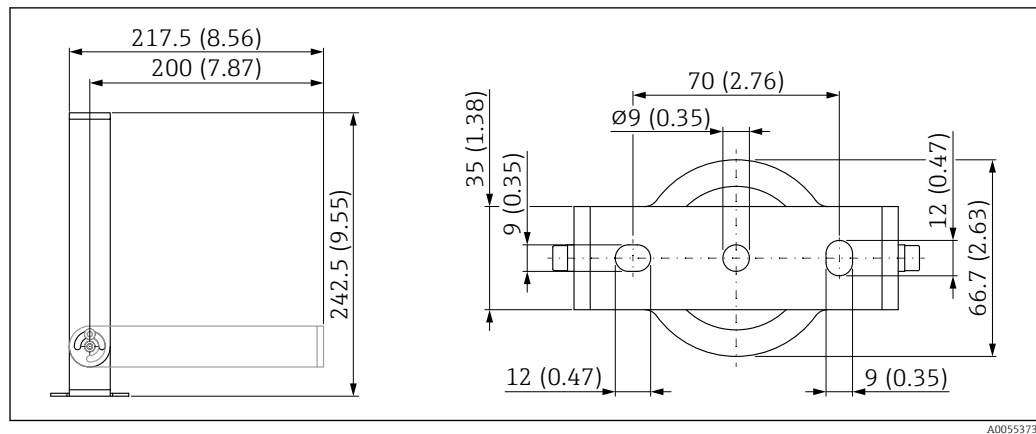
28 Dimensions of mounting bracket. Unit of measurement mm (in)

Consists of:

- 1 × mounting bracket, 316L (1.4404)
- 1 × angle bracket, 316L (1.4404)
- 3 × screws, A4
- 3 × securing disks, A4

Order number (G 1"/NPT 1")

71662421

Antenna end process connection G 1½"/NPT 1½"

A0055373

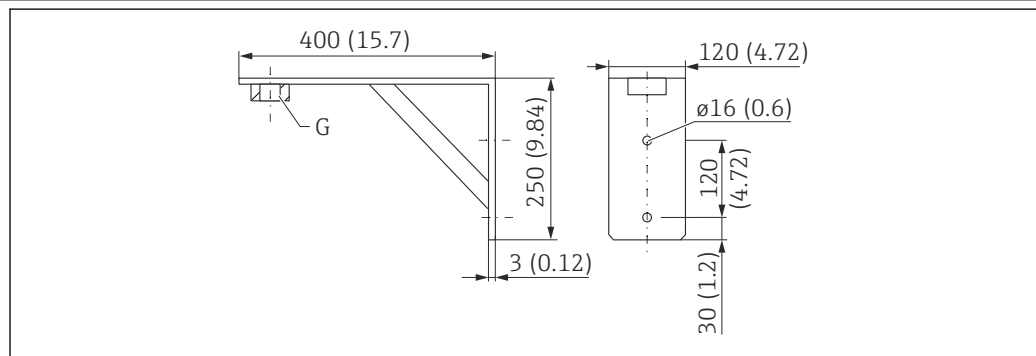
29 Dimensions of mounting bracket. Unit of measurement mm (in)

Consists of:

- 1 × mounting bracket, 316L (1.4404)
- 1 × angle bracket, 316L (1.4404)
- 3 × screws, A4
- 3 × securing disks, A4
- 1 × securing nut G 1½"

Order number (G 1½"/NPT 1½")

71662423

**Angle bracket for wall
mounting**


A0019346

30 Dimensions of mounting bracket. Unit of measurement mm (in)

G Sensor connection in accordance with the product structure "Antenna end process connection"

Weight

3.4 kg (7.5 lb)

Material

316L (1.4404)

Order number for G 1½" process connection

71452324

Also suitable for MNPT 1½"

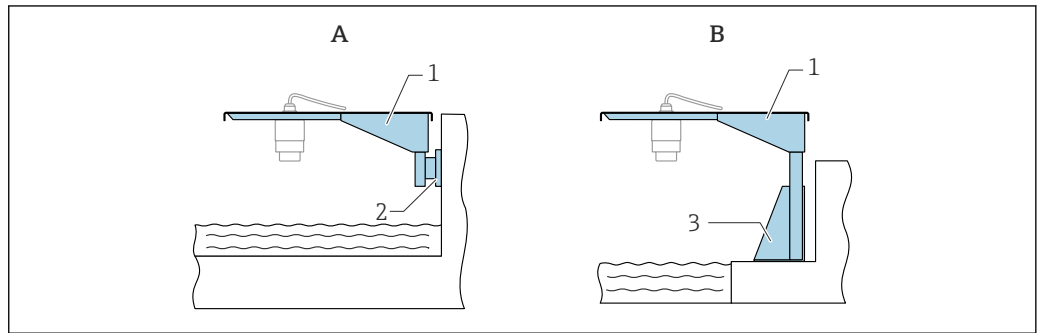
Order number for G 2" process connection

71452325

Also suitable for MNPT 2"

Cantilever, pivotable

Installation type sensor cable entry process connection

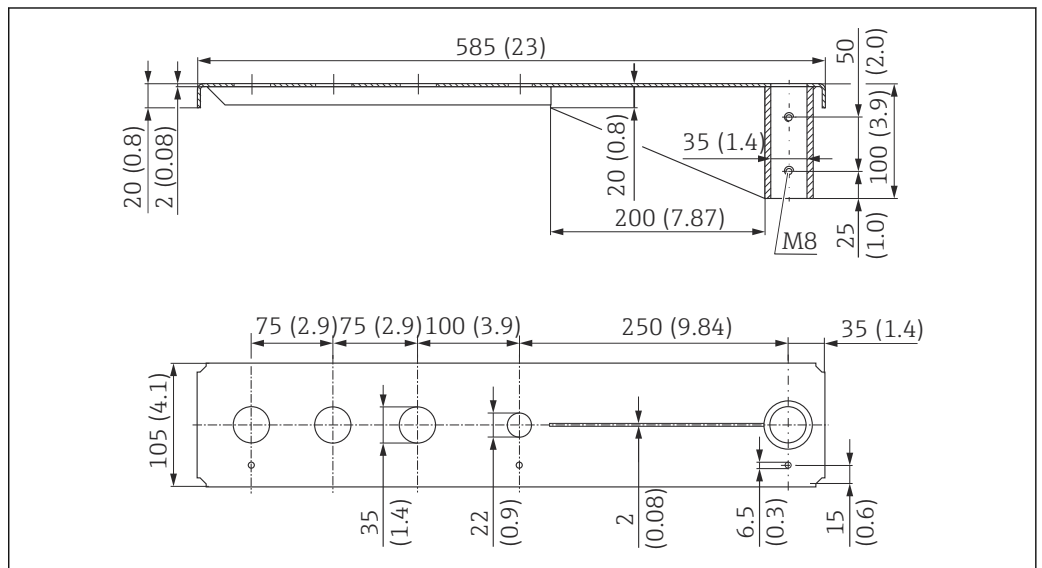


A002885

31 Installation type sensor cable entry process connection

- A Installation with cantilever and wall bracket
- B Installation with cantilever and mounting frame
- 1 Cantilever
- 2 Wall bracket
- 3 Mounting frame

500 mm cantilever with pivot, sensor cable entry process connection




A0037806

32 Dimensions of 500 mm cantilever with pivot, for sensor cable entry process connection. Unit of measurement mm (in)

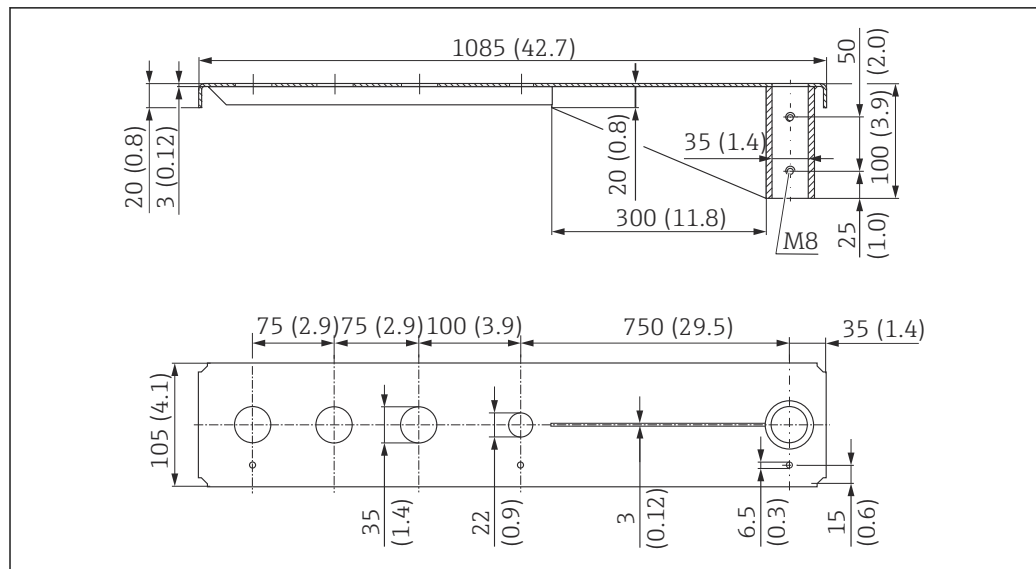
Weight:
2.1 kg (4.63 lb)

Material
316L (1.4404)

Order number
71452315

- 
 - 35 mm (1.38 in) openings for all G 1" or MNPT 1" cable entry thread process connections
 - 22 mm (0.87 in) opening can be used for any additional sensor
 - Retaining screws are included in delivery

1000 mm cantilever with pivot, sensor cable entry process connection



33 Dimensions of 1000 mm cantilever with pivot, for sensor cable entry process connection. Unit of measurement mm (in)

Weight:

4.5 kg (9.92 lb)

Material

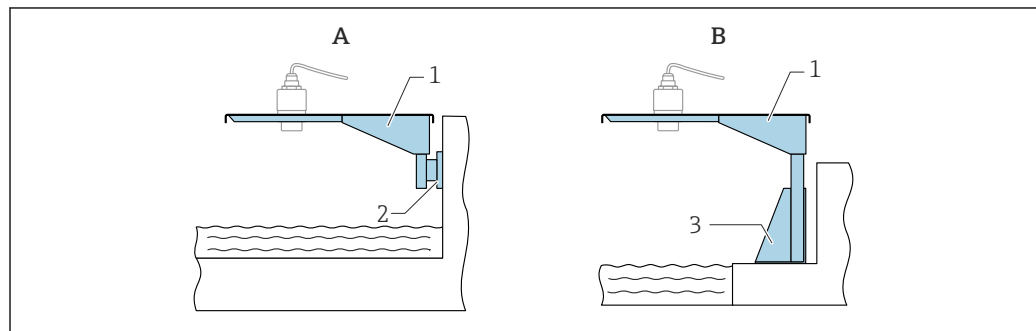
316L (1.4404)

Order number

71452316

- i** 35 mm (1.38 in) openings for all G 1" or MNPT 1" cable entry thread process connections
- 22 mm (0.87 in) opening can be used for any additional sensor
- Retaining screws are included in delivery

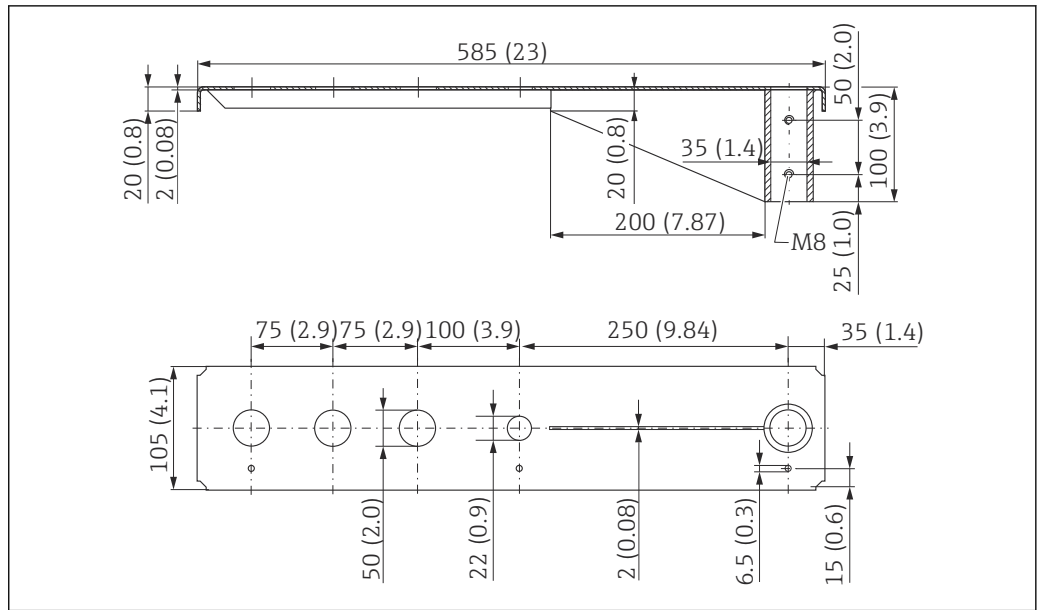
Installation type sensor antenna end process connection



34 Installation type sensor antenna end process connection

- A Installation with cantilever and wall bracket
- B Installation with cantilever and mounting frame
- 1 Cantilever
- 2 Wall bracket
- 3 Mounting frame

500 mm cantilever with pivot, sensor antenna end process connection G 1½"




35 Dimensions of 500 mm cantilever with pivot, for sensor antenna end process connection G 1½". Unit of measurement mm (in)

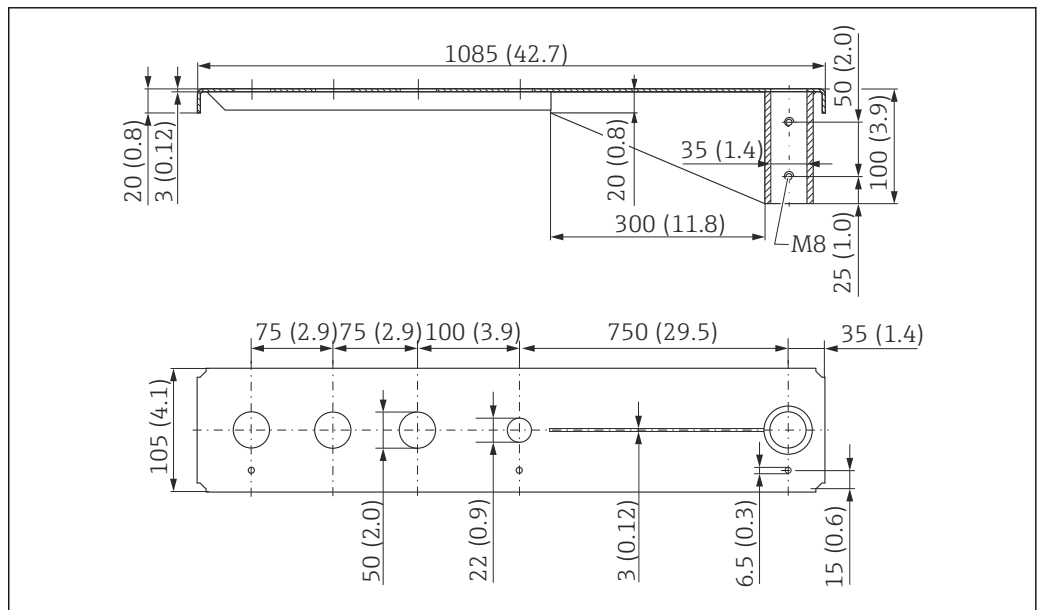
Weight:
1.9 kg (4.19 lb)

Material
316L (1.4404)

Order number
71452318

-  50 mm (2.17 in) openings for all G 1½" or MNPT 1½" antenna end thread process connections
- 22 mm (0.87 in) opening can be used for any additional sensor
- Retaining screws are included in delivery

1000 mm cantilever with pivot, sensor antenna end process connection G 1½"



36 Dimensions of 1000 mm cantilever with pivot, for sensor antenna end process connection G 1½". Unit of measurement mm (in)

Weight:

4.4 kg (9.7 lb)

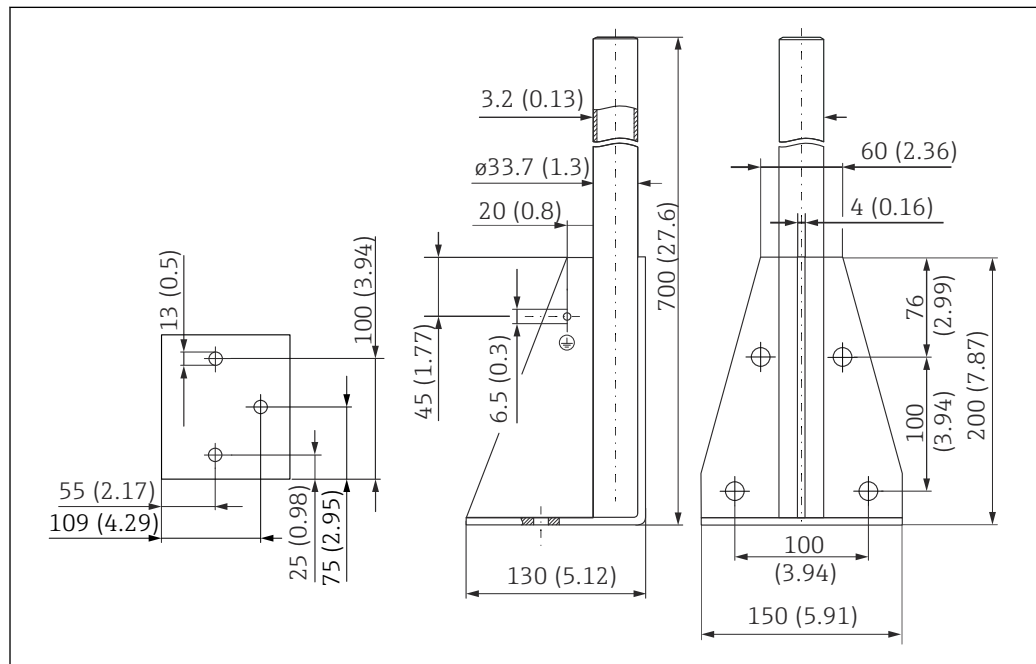
Material

316L (1.4404)

Order code

71452319

- i**
- 50 mm (2.17 in) openings for all G 1½" or MNPT 1½" antenna end thread process connections
 - 22 mm (0.87 in) opening can be used for any additional sensor
 - Retaining screws are included in delivery

Mounting stand, 700 mm (27.6 in) for cantilever with pivot

A0037799

37 Dimensions. Unit of measurement mm (in)

Weight:

4.2 kg (9.26 lb)

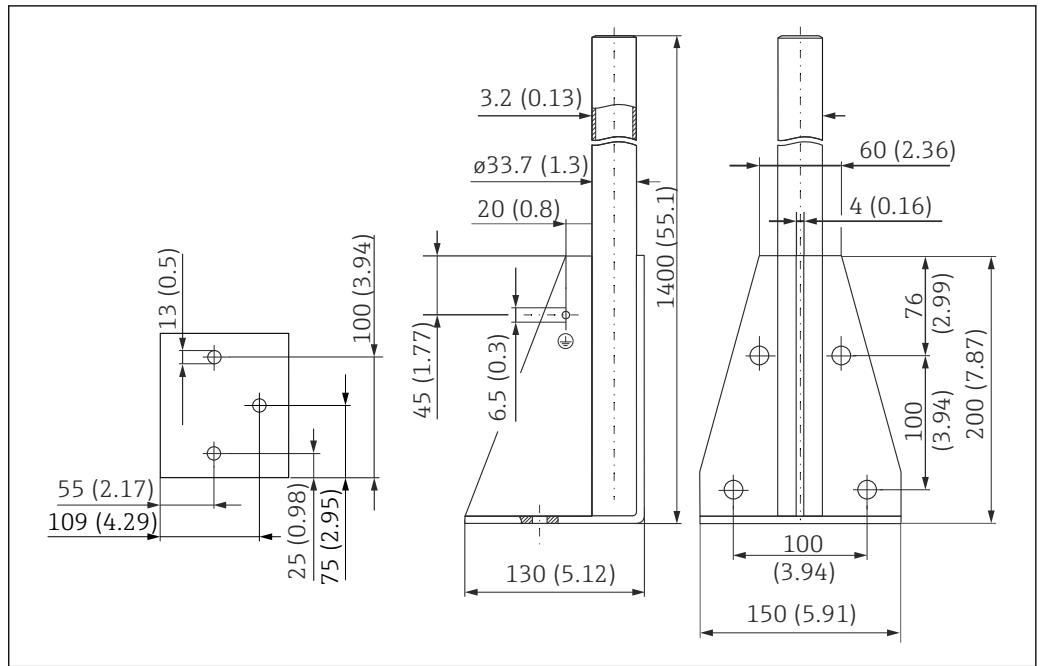
Material

316L (1.4404)

Order number

71452327

Mounting stand, 1400 mm (55.1 in) for cantilever with pivot



A0037800

38 Dimensions. Unit of measurement mm (in)

Weight:

6 kg (13.23 lb)

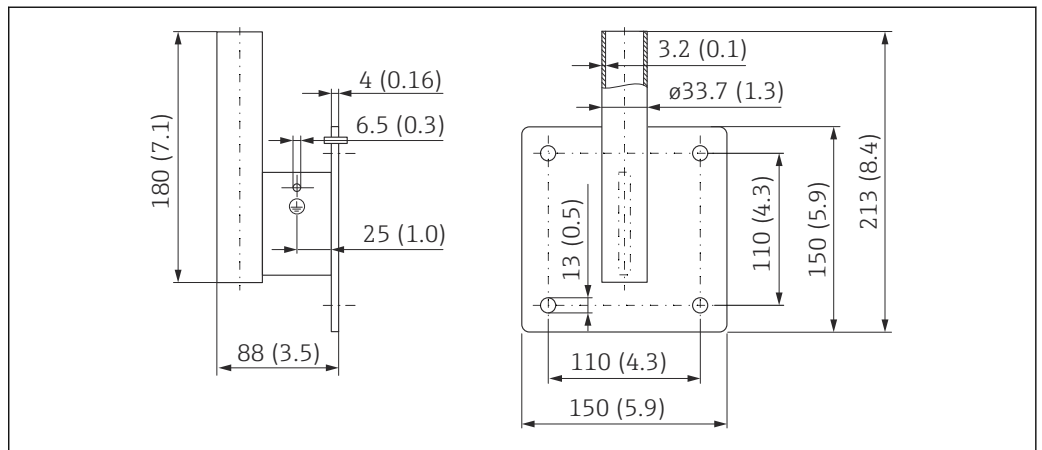
Material

316L (1.4404)

Order number

71452326

Wall bracket for cantilever with pivot



A0019350

39 Dimensions of the wall bracket. Unit of measurement mm (in)

Weight

1.2 kg (2.65 lb)

Material

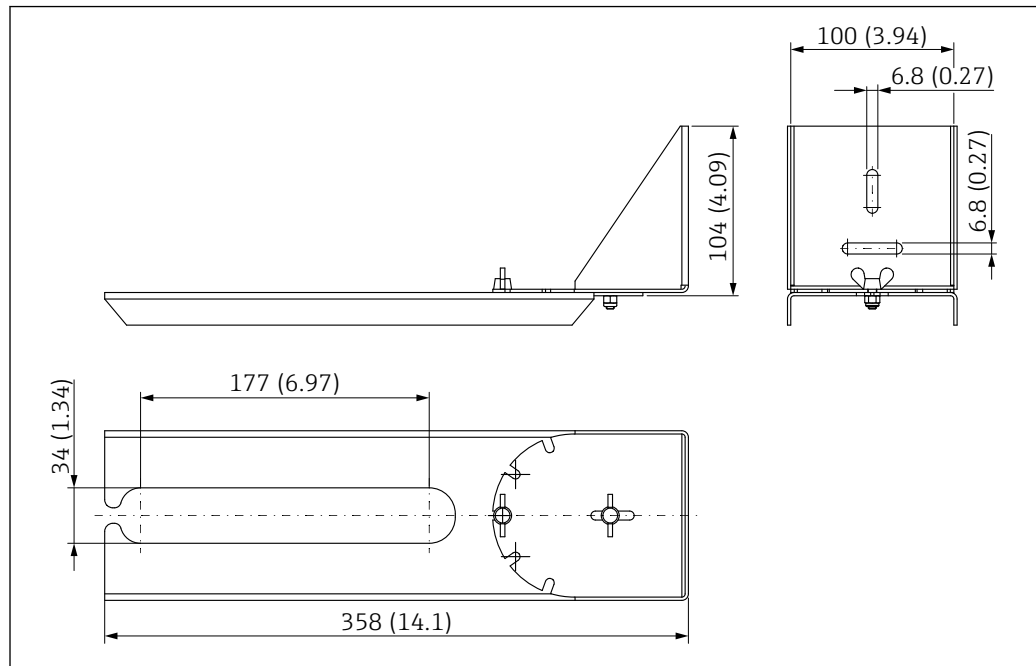
316L (1.4404)

Order number

71452323

Pivotable mounting bracket

The pivotable mounting bracket is used, for example, to install the device in a manhole over a sewer channel.



A0036143

40 Dimensions of pivotable mounting bracket. Unit of measurement mm (in)

i 34 mm (1.34 in) openings for all G 1" or MNPT 1" cable entry thread process connections

Material

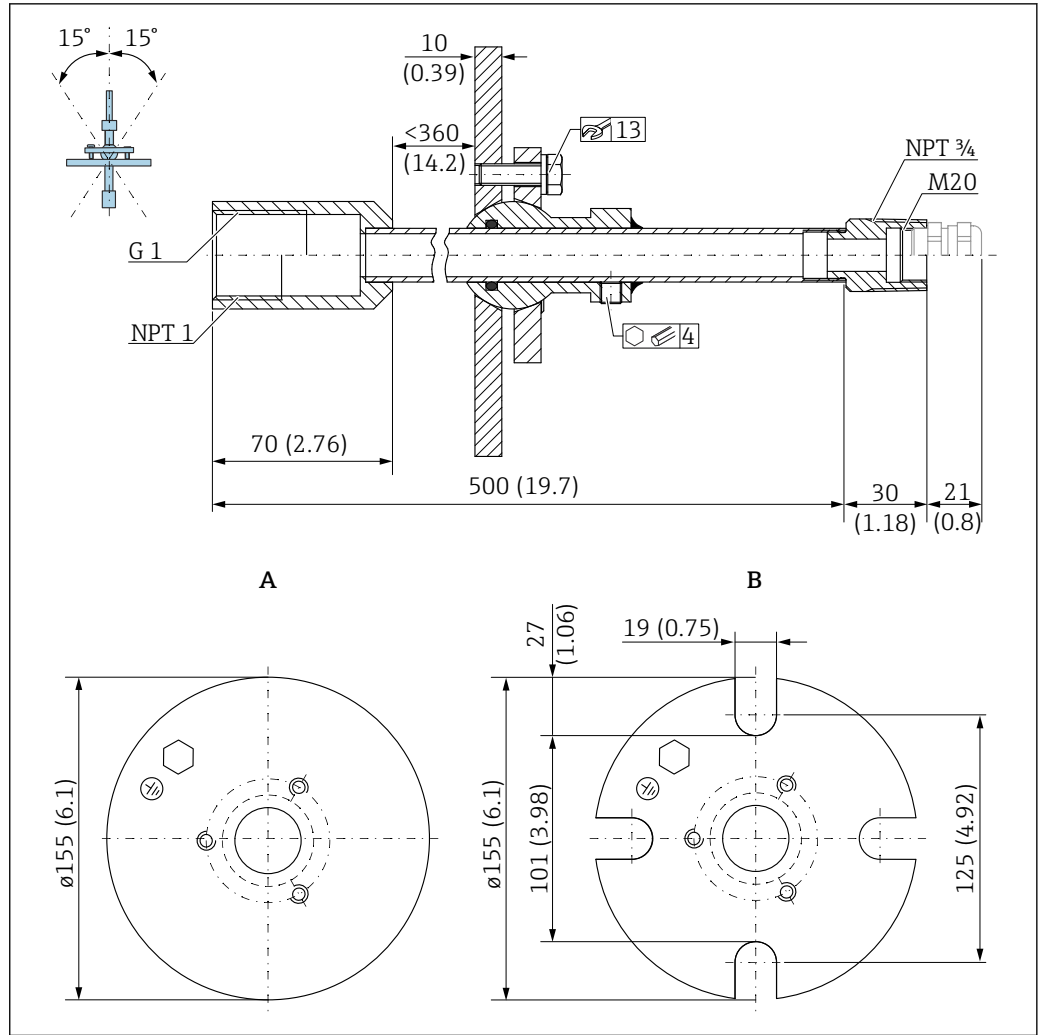
316L (1.4404)

Order code

71429910

FAU40 alignment unit

The alignment unit is used to optimally align the sensor with the bulk solids.



A0045330

41 Dimensions. Unit of measurement mm (in)

A Welding flange

B UNI flange

Material

- Flange: 304
- Pipe: Steel, galvanized
- Cable gland: 304 or steel, galvanized

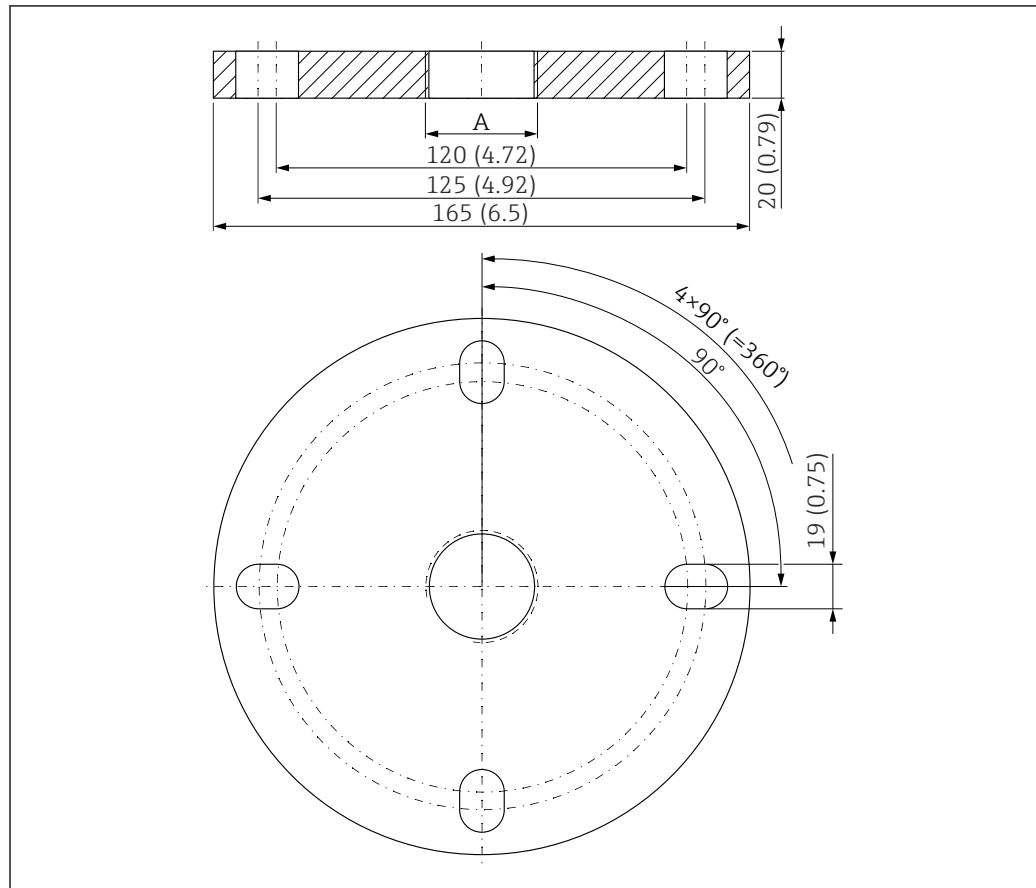
Order number

FAU40-##

 For use in all G 1" or MNPT 1" cable entry thread process connections and connection cables max. dia. 10 mm (0.43 in), min. length 600 mm (23.6 in).

 Technical Information TI00179F

UNI flange 2"/DN50/50, PP



A0037946

42 Dimensions of UNI flange 2"/DN50/50. Unit of measurement mm (in)

A Sensor connection in accordance with the product structure "Antenna end process connection"

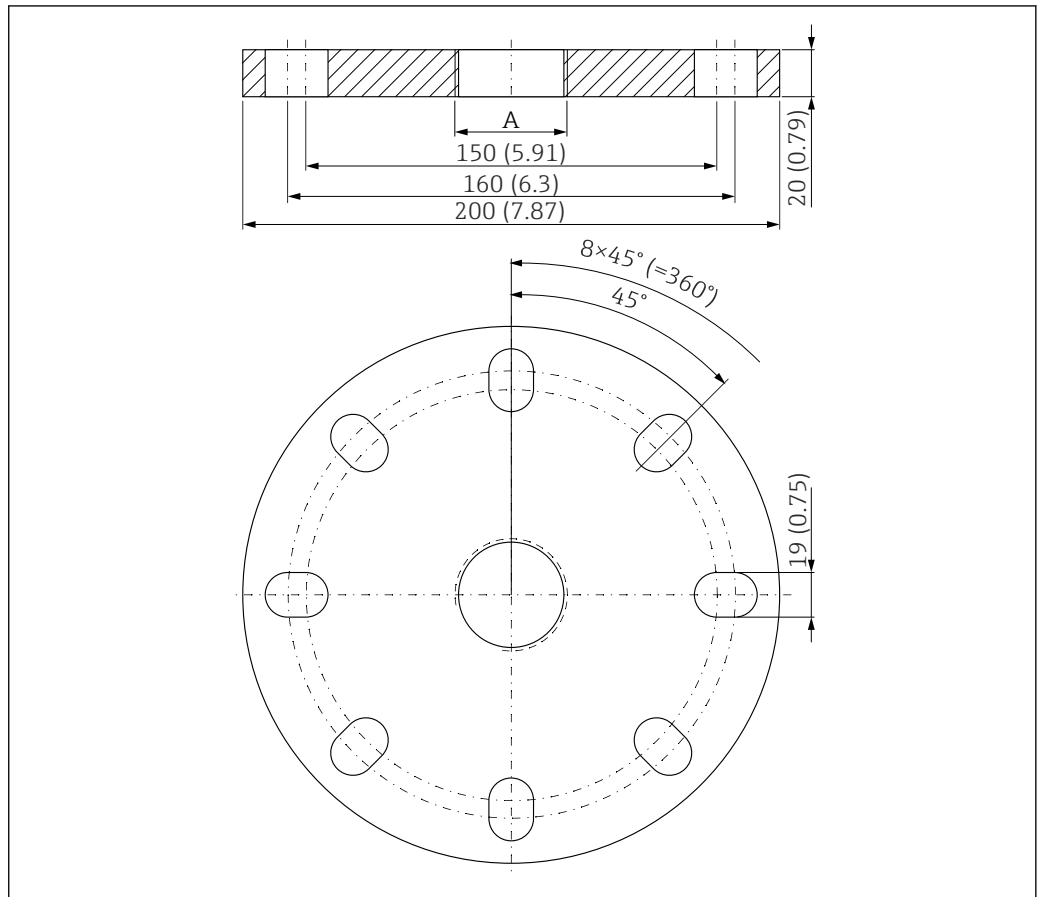
Material

PP

Order code

FAX50-####

UNI flange 3"/DN80/80, PP



A0037947

43 Dimensions of UNI flange 3"/DN80/80. Unit of measurement mm (in)

A Sensor connection in accordance with the product structure "Antenna end process connection" or "Cable entry process connection"

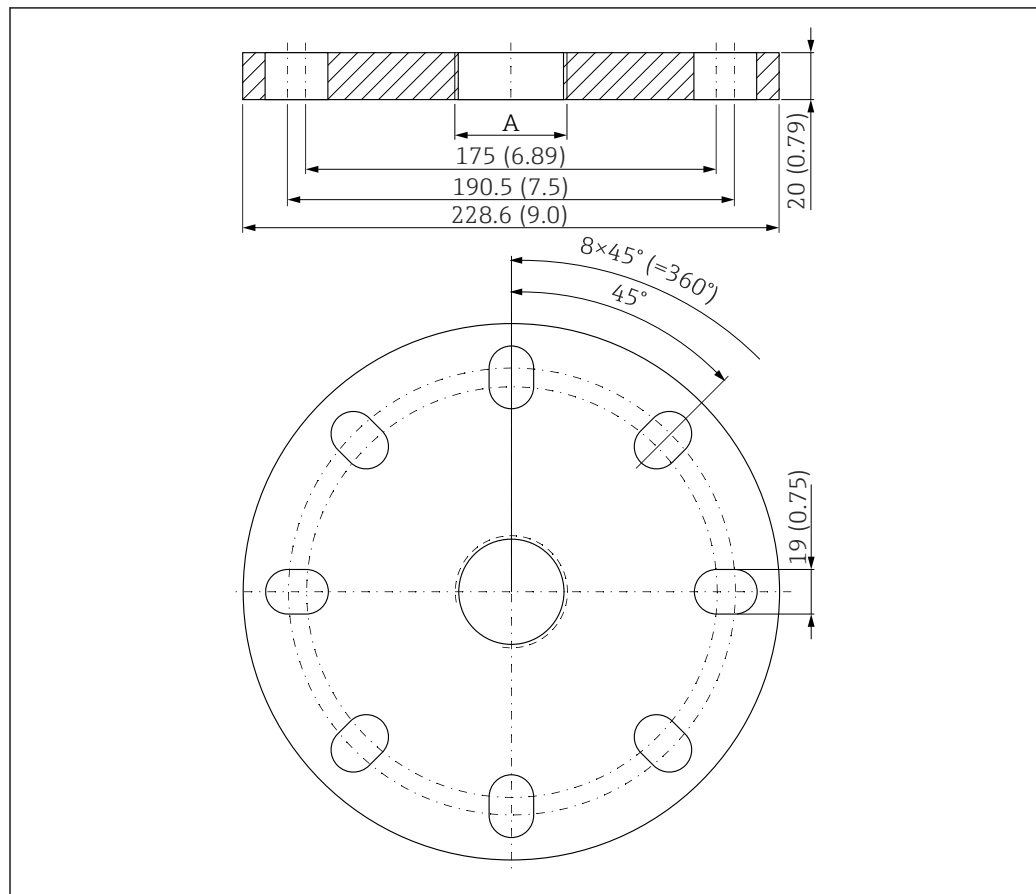
Material

PP

Order code

FAX50-####

UNI flange 4"/DN100/100,
PP



A0037948

44 Dimensions of UNI flange 4"/DN100/100. Unit of measurement mm (in)

A Sensor connection in accordance with the product structure "Antenna end process connection" or "Cable entry process connection"

Material

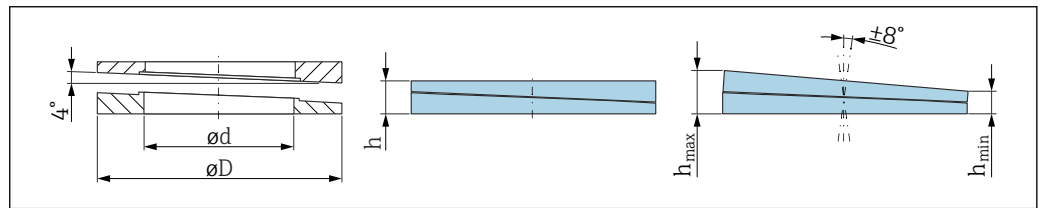
PP

Order code

FAX50-####

Adjustable flange seal

The adjustable flange seal is used to align the sensor.




A0045324

45 Dimensions

Technical data: version DN/JIS			
Order code	71074263	71074264	71074265
Compatible with	DN80 PN10/40	DN100 PN10/16	<ul style="list-style-type: none"> ■ DN150 PN10/16 ■ JIS 10K 150A
Recommended screw length	100 mm (3.9 in)	100 mm (3.9 in)	110 mm (4.3 in)
Recommended screw size	M14	M14	M18
Material	EPDM		
Process pressure	-0.1 to 0.1 bar (-1.45 to 1.45 psi)		
Process temperature	-40 to +80 °C (-40 to +176 °F)		
D	142 mm (5.59 in)	162 mm (6.38 in)	218 mm (8.58 in)
d	89 mm (3.5 in)	115 mm (4.53 in)	169 mm (6.65 in)
h	22 mm (0.87 in)	23.5 mm (0.93 in)	26.5 mm (1.04 in)
h _{min}	14 mm (0.55 in)	14 mm (0.55 in)	14 mm (0.55 in)
h _{max}	30 mm (1.18 in)	33 mm (1.3 in)	39 mm (1.45 in)
Technical data: Version ASME/JIS			
Order code	71249070	71249072	71249073
Compatible with	<ul style="list-style-type: none"> ■ ASME 3" 150 lbs ■ JIS 80A 10K 	ASME 4" 150 lbs	ASME 6" 150 lbs
Recommended screw length	100 mm (3.9 in)	100 mm (3.9 in)	110 mm (4.3 in)
Recommended screw size	M14	M14	M18
Material	EPDM		
Process pressure	-0.1 to 0.1 bar (-1.45 to 1.45 psi)		
Process temperature	-40 to +80 °C (-40 to +176 °F)		
D	133 mm (5.2 in)	171 mm (6.7 in)	219 mm (8.6 in)
d	89 mm (3.5 in)	115 mm (4.53 in)	168 mm (6.6 in)
h	22 mm (0.87 in)	23.5 mm (0.93 in)	26.5 mm (1.04 in)
h _{min}	14 mm (0.55 in)	14 mm (0.55 in)	14 mm (0.55 in)
h _{max}	30 mm (1.18 in)	33 mm (1.3 in)	39 mm (1.45 in)

DeviceCare SFE100

Configuration tool for IO-Link, HART, PROFIBUS and FOUNDATION Fieldbusfield devices
 DeviceCare is available for download free of charge at www.software-products.endress.com. You need to register in the Endress+Hauser software portal to download the application.

 Technical Information TI01134S

Device Viewer

All the spare parts for the device, along with the order code, are listed in the *Device Viewer* (www.endress.com/deviceviewer).

RN22 Single or two-channel active barrier for safe electrical isolation of 4 to 20 mA standard signal circuits, HART transparent

 Technical Information TI01515K and Operating Instructions BA02004K

RN42 Single-channel active barrier with wide-range power supply for safe electrical isolation of 4 to 20 mA standard signal circuits, HART transparent.

 Technical Information TI01584K and Operating Instructions BA02090K

Field Xpert SMT70 Universal, high-performance tablet PC for device configuration in Ex Zone 2 and non-Ex areas


 For details, see "Technical Information" TI01342S

Field Xpert SMT77 Universal, high-performance tablet PC for device configuration in Ex Zone 1 areas

 For details, see "Technical Information" TI01418S

SmartBlue app Mobile app for easy configuration of devices on site via Bluetooth wireless technology

Documentation

-  For an overview of the scope of the associated Technical Documentation, refer to the following:
- *Device Viewer* (www.endress.com/deviceviewer): Enter the serial number from the nameplate
 - *Endress+Hauser Operations app*: Enter serial number from nameplate or scan matrix code on nameplate.

Standard documentation

Document type: Operating Instructions (BA)

Installation and initial commissioning – contains all the functions in the operating menu that are needed for a routine measuring task. Functions beyond this scope are not included.

Document type: Description of Device Parameters (GP)

The document is part of the Operating Instructions and serves as a reference for parameters, providing a detailed explanation of each individual parameter of the operating menu.

Document type: Brief Operating Instructions (KA)

Quick guide to the first measured value – includes all essential information from incoming acceptance to electrical connection.

Document type: Safety Instructions, certificates

Depending on the approval, safety instructions are supplied with the device, e.g. XA. This documentation is an integral part of the Operating Instructions.

Information on the Safety Instructions (XA) that are relevant for the device is provided on the nameplate.

Supplementary device-dependent documentation

Additional documents are supplied depending on the device version ordered: Always comply strictly with the instructions in the supplementary documentation. The supplementary documentation is an integral part of the device documentation.

Registered trademarks

Apple®

Apple, the Apple logo, iPhone, and iPod touch are trademarks of Apple Inc., registered in the U.S. and other countries. App Store is a service mark of Apple Inc.

Android®

Android, Google Play and the Google Play logo are trademarks of Google Inc.

Bluetooth®

The *Bluetooth*® word mark and logos are registered trademarks owned by the Bluetooth SIG, Inc. and any use of such marks by Endress+Hauser is under license. Other trademarks and trade names are those of their respective owners.





www.addresses.endress.com
