

Operating Instructions

Active barrier

Active barrier, 1-channel for 4 to 20 mA, HART® transparent with 24 to 230 V_{AC/DC} and active/passive input and output, optionally available with SIL and Ex

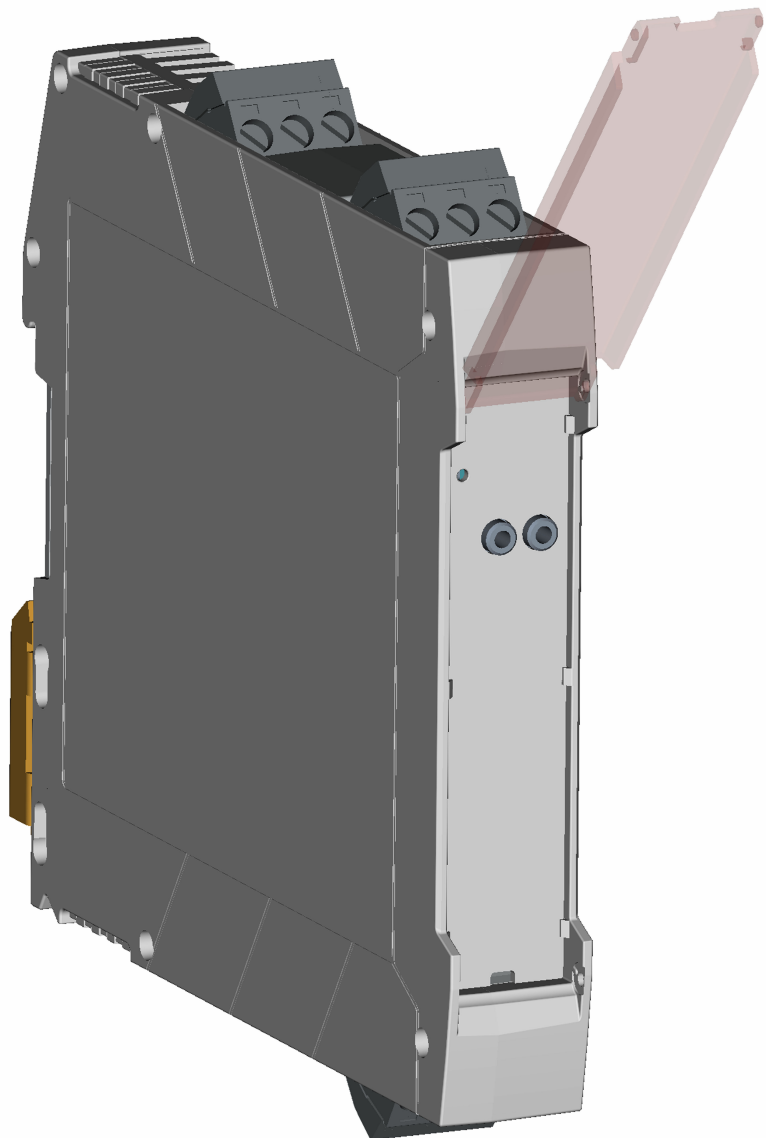


Table of contents

1	About this document	3	11	Repair	13
1.1	Symbols	3	11.1	General information	13
1.2	Registered trademarks	4	11.2	Spare parts	13
2	Basic safety instructions	4	11.3	Return	13
2.1	Requirements for the personnel	4	11.4	Disposal	13
2.2	Intended use	4	12	Technical data	14
2.3	Workplace safety	4	12.1	Function and system design	14
2.4	Operational safety	5	12.2	Input	14
2.5	Product safety	5	12.3	Output	14
2.6	Installation instructions	5	12.4	Power supply	15
3	Product descriptions	6	12.5	Performance characteristics	17
3.1	Product description	6	12.6	Mounting	17
4	Incoming acceptance and product identification	6	12.7	Environment	18
4.1	Incoming acceptance	6	12.8	Mechanical construction	19
4.2	Product identification	6	12.9	Display and operating elements	20
4.3	Storage and transport	7	12.10	Accessories	20
5	Mounting	7	12.11	Certificates and approvals	20
5.1	Mounting requirements	7	12.12	Documentation	21
5.2	Installing a DIN rail device	8			
5.3	Disassembling the DIN rail device	8			
6	Electrical connection	9			
6.1	Connecting requirements	9			
6.2	Special connection instructions	9			
6.3	Quick wiring guide	10			
6.4	Connecting the supply voltage	10			
6.5	Post-connection check	11			
7	Display and operating elements	11			
7.1	Local operation	11			
8	Commissioning	12			
8.1	Post-installation check	12			
8.2	Switching on the device	12			
9	Diagnostics and troubleshooting ...	12			
9.1	General troubleshooting	12			
10	Maintenance and cleaning	13			
10.1	Cleaning of surfaces not in contact with the medium	13			

1 About this document

1.1 Symbols

1.1.1 Safety symbols

DANGER

This symbol alerts you to a dangerous situation. Failure to avoid this situation will result in serious or fatal injury.

WARNING

This symbol alerts you to a potentially dangerous situation. Failure to avoid this situation can result in serious or fatal injury.









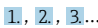



CAUTION

This symbol alerts you to a potentially dangerous situation. Failure to avoid this situation can result in minor or medium injury.





NOTICE

This symbol alerts you to a potentially harmful situation. Failure to avoid this situation can result in damage to the product or something in its vicinity.

1.1.2 Symbols for certain types of information

Symbol	Meaning
	Permitted Procedures, processes or actions that are permitted.
	Preferred Procedures, processes or actions that are preferred.
	Forbidden Procedures, processes or actions that are forbidden.
	Tip Indicates additional information.
	Reference to documentation
	Reference to page
	Reference to graphic
	Notice or individual step to be observed
	Series of steps
	Result of a step
	Help in the event of a problem
	Visual inspection

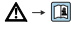

1.1.3 Electrical symbols

	Direct current		Alternating current
	Direct current and alternating current		Ground connection A grounded terminal which, as far as the operator is concerned, is grounded via a grounding system.

1.1.4 Symbols in graphics

1, 2, 3,...	Item numbers	A, B, C, ...	Views
-------------	--------------	--------------	-------

1.1.5 Symbols at the device

	Warning Observe the safety instructions contained in the associated Operating Instructions
	Equipment protected throughout by DOUBLE INSULATION or REINFORCED INSULATION

1.2 Registered trademarks

HART®

Registered trademark of the FieldComm Group, Austin, Texas, USA

2 Basic safety instructions

2.1 Requirements for the personnel

The personnel for installation, commissioning, diagnostics and maintenance must fulfill the following requirements:

- ▶ Trained, qualified specialists must have a relevant qualification for this specific function and task.
- ▶ Are authorized by the plant owner/operator.
- ▶ Are familiar with federal/national regulations.
- ▶ Before starting work, read and understand the instructions in the manual and supplementary documentation as well as the certificates (depending on the application).
- ▶ Follow instructions and comply with basic conditions.

The operating personnel must fulfill the following requirements:

- ▶ Are instructed and authorized according to the requirements of the task by the facility's owner-operator.
- ▶ Follow the instructions in this manual.

2.2 Intended use

The active barrier is used for the safe isolation of 0/4 to 20 mA standard signal circuits. An intrinsically safe version is optionally available for operation in Zone 2. The device is designed for installation on DIN rails in accordance with IEC 60715.

Product liability: The manufacturer does not accept any responsibility for damage that results from non-designated use and from failure to comply with the instructions in this manual.

2.3 Workplace safety

When working on and with the device:

- ▶ Wear the required personal protective equipment as per national regulations.

2.4 Operational safety

Risk of injury!

- ▶ Operate the device only if it is in proper technical condition, free from errors and faults.
- ▶ The operator is responsible for interference-free operation of the device.

Modifications to the device

Unauthorized modifications to the device are not permitted and can lead to unforeseeable dangers:

- ▶ If modifications are nevertheless required, consult with the manufacturer.

Repair

To ensure continued operational safety and reliability:

- ▶ Carry out repairs on the device only if they are expressly permitted.
- ▶ Observe federal/national regulations pertaining to the repair of an electrical device.
- ▶ Use only original spare parts and accessories from the manufacturer.

Hazardous area

To eliminate danger to persons or the facility when the device is used in the hazardous area (e.g. explosion protection):

- ▶ Check the nameplate to verify if the device ordered can be put to its intended use in the hazardous area.
- ▶ Observe the specifications in the separate supplementary documentation that is an integral part of these instructions.

2.5 Product safety

This device is designed in accordance with good engineering practice to meet state-of-the-art safety requirements, has been tested, and left the factory in a condition in which it is safe to operate.

2.6 Installation instructions

- The device's IP20 degree of protection is intended for a clean and dry environment.
- Do not expose the device to mechanical and/or thermal stress that exceeds the specified limits.
- The device is intended for installation in a cabinet or similar housing. The device may only be operated as an installed device.
- To protect against mechanical or electrical damage, the device must be installed in an appropriate housing with a suitable degree of protection according to IEC/EN 60529.
- The device fulfills the EMC regulations for the industrial sector.

3 Product descriptions

3.1 Product description

3.1.1 Product design

Active barrier, 1-channel


- The active barrier is used for the transmission and galvanic isolation of 0/4 to 20 mA/HART signals. The device has an active/passive current input to which a 2- or 4-wire transmitter can be directly connected. The output of the device can be operated actively or passively. The current signal is then available to the PLC / controller or to other instrumentation at plug-in screw terminals or optional push-in terminals.
- HART communication signals are transmitted bidirectionally by the device. Connection sockets for connecting HART communicators are integrated into the front of the device.
- The device is optionally available as an "associated apparatus", which allows devices to be connected in Ex Zone 0/20 [ia] and operated in Ex Zone 2 [ec]. 2-wire transmitters are supplied with power, and transmit analog 0/4 to 20 mA/HART measured values from the hazardous area to the non-hazardous area. These devices are accompanied by separate Ex documentation, which is an integral part of this manual. Compliance with the installation instructions and connection data in this documentation is mandatory!

4 Incoming acceptance and product identification

4.1 Incoming acceptance

On receipt of the delivery:

1. Check the packaging for damage.
 - ↳ Report all damage immediately to the manufacturer.
Do not install damaged components.
2. Check the scope of delivery using the delivery note.
3. Compare the data on the nameplate with the order specifications on the delivery note.
4. Check the technical documentation and all other necessary documents, e.g. certificates, to ensure they are complete.

 If one of the conditions is not satisfied, contact the manufacturer.

4.2 Product identification

The device can be identified in the following ways:

- Nameplate specifications
- Extended order code with breakdown of the measuring instrument features on the delivery note

4.2.1 Nameplate

Do you have the correct device?

The nameplate provides you with the following information on the device:

- Manufacturer identification, device designation
 - Order code
 - Extended order code
 - Serial number
 - Tag name (TAG) (optional)
 - Technical values, e.g. supply voltage, current consumption, ambient temperature, communication-specific data (optional)
 - Degree of protection
 - Approvals with symbols
 - Reference to Safety Instructions (XA) (optional)
- Compare the information on the nameplate with the order.


4.2.2 Name and address of manufacturer

Name of manufacturer:	Endress+Hauser Wetzler GmbH + Co. KG
Address of manufacturer:	Obere Wank 1, D-87484 Nesselwang
Model/type reference:	RN42

4.3 Storage and transport

Storage temperature: -40 to +80 °C (-40 to +176 °F)

Maximum relative humidity: < 95%

 Pack the device for storage and transportation in such a way that it is reliably protected against impact and external influences. The original packaging provides the best protection.


Avoid the following environmental influences during storage:

- Direct sunlight
- Proximity to hot objects
- Mechanical vibration
- Aggressive media

5 Mounting

5.1 Mounting requirements

5.1.1 Dimensions

 For information on device dimensions, see the "Technical data" section.

5.1.2 Mounting location

The device is designed for installation on 35 mm (1.38 in) DIN rails in accordance with IEC 60715 (TH35).

NOTICE

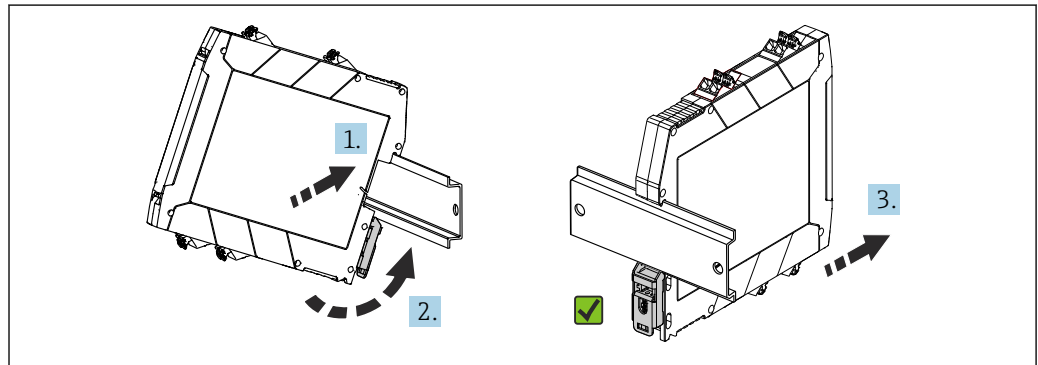
- ▶ When using in hazardous areas, the limit values of the certificates and approvals must be observed.

i For information on ambient conditions, see the "Technical data" section.

5.2 Installing a DIN rail device

The device can be installed in any position (horizontal or vertical) on the DIN rail without lateral clearance from neighboring devices. No tools are required for installation. The use of end brackets (type WEW "35/1" or similar) on the DIN rail is recommended as an end support for the device.

i When installing several devices side by side, it is important to ensure that the maximum side wall temperature of 80 °C (176 °F) of the individual devices is not exceeded. If this cannot be guaranteed, mount the devices at a distance from one another or ensure sufficient cooling.

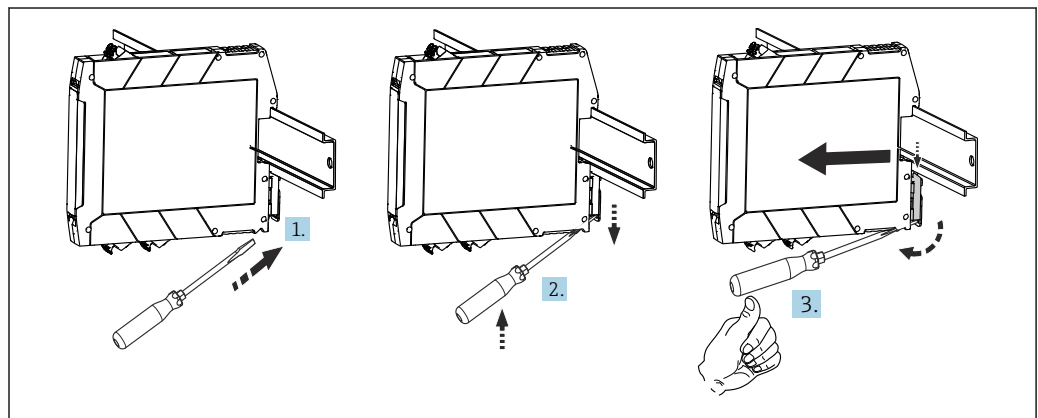


A0041736

1 Installing on DIN rail

1. Position the top DIN rail groove at the top end of the DIN rail.
2. While holding the front of the device horizontally, lower it until you hear the locking clip of the device click into place on the DIN rail.
3. Pull gently on the device to check if it is correctly mounted on the DIN rail.

5.3 Disassembling the DIN rail device



A0039696

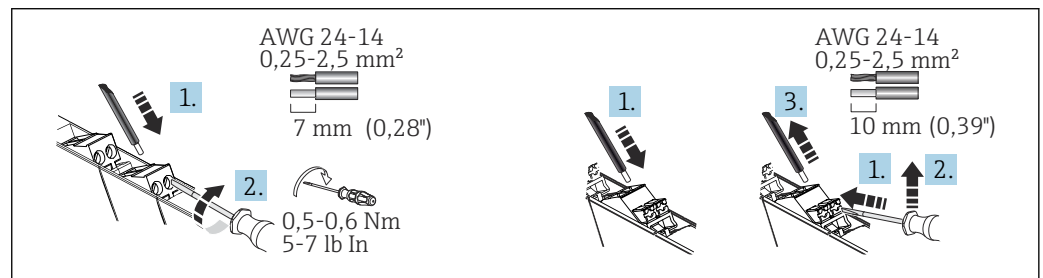
2 Disassembling the DIN rail device

1. Insert a screwdriver into the tab of the DIN rail clip.
2. Use the screwdriver to pull down on the DIN rail clip as shown in the diagram.
3. Hold down the screwdriver to remove the device from the DIN rail.

6 Electrical connection

6.1 Connecting requirements

A flat-blade screwdriver is required to establish an electrical connection to screw or push-in terminals.



3 Electrical connection using screw terminals (left) and push-in terminals (right)

⚠ CAUTION

Destruction of parts of the electronics

- ▶ Switch off the power supply before installing and connecting the device.

NOTICE

Destruction or malfunction of parts of the electronics

- ▶ ⚡ ESD - electrostatic discharge. Protect the terminals and HART sockets on the front from electrostatic discharge.
- ▶ A shielded cable is recommended for HART communication. Observe grounding concept of the plant.

i For information on the connection data, see the "Technical data" section.

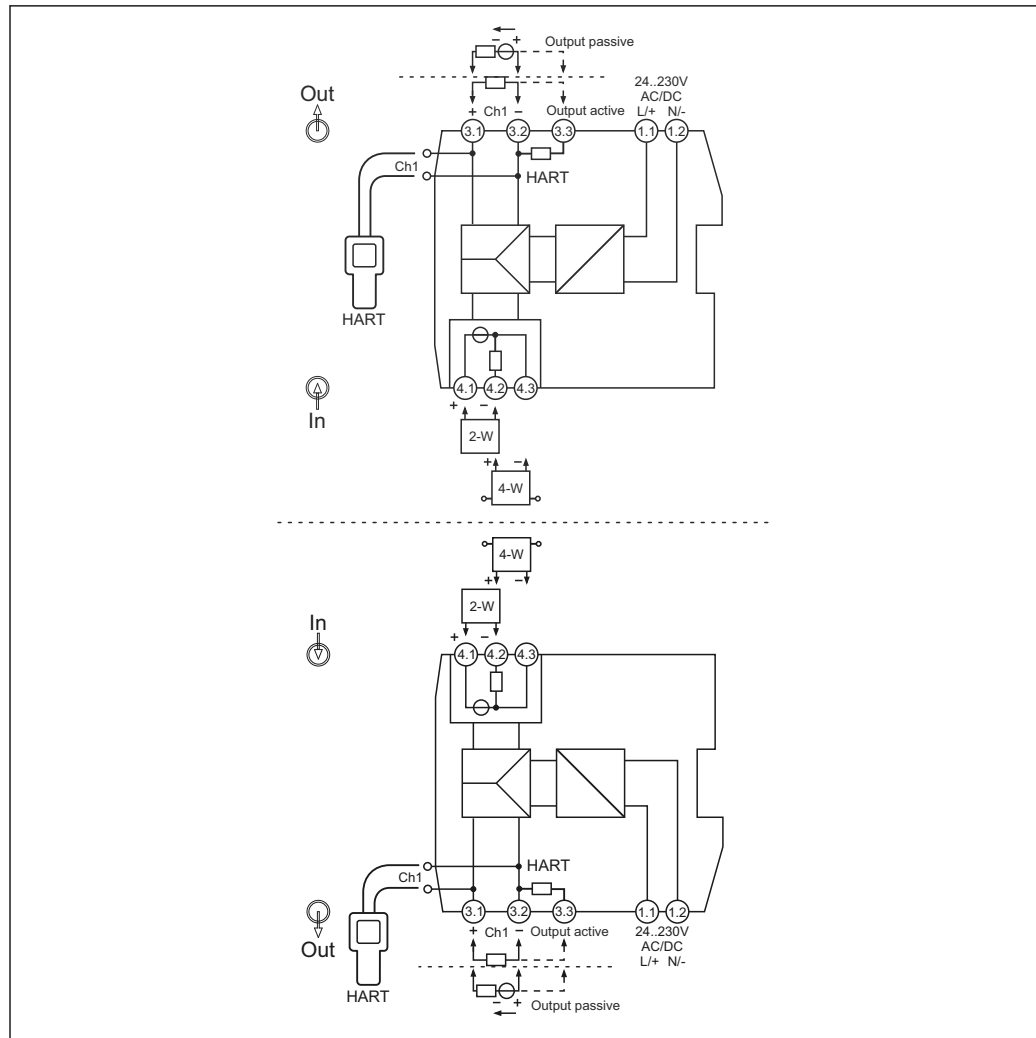
i Only use copper cables with a minimum temperature rating of 75 °C (167 °F) as the connecting cables.

6.2 Special connection instructions

- Disconnecting devices and auxiliary circuit protective systems with suitable AC or DC values must be provided within reach in the building installation.
- A switch/power circuit breaker must be provided close to the device and clearly marked as a disconnecting unit for this device.
- A circuit breaker (nominal current ≤ 10 A; break capacity 6 kA; e.g. type B) must be available within reach for the supply line.

i For information on the connection data, see the "Technical data" section.

6.3 Quick wiring guide



4 Terminal assignment, top: power supply top; bottom: power supply bottom (option)

Connection for operation with active output:

1. Connect + to 3.1.
2. Connect - to 3.2.
 - ↳ Switching of the mode of operation occurs automatically.

Connection for operation with passive output:

1. Connect + to 3.2.
2. Connect - to 3.1.
 - ↳ Switching of the mode of operation occurs automatically.

i HART communicators can be connected to the HART connection sockets. Ensure that there is an adequate external load ($\geq 230 \Omega$) in the output circuit. If the external load is not sufficient, an internal 250Ω communication resistor can be added to the measuring loop via the alternative terminal assignment (terminal 3.3.) to use the HART connection sockets.

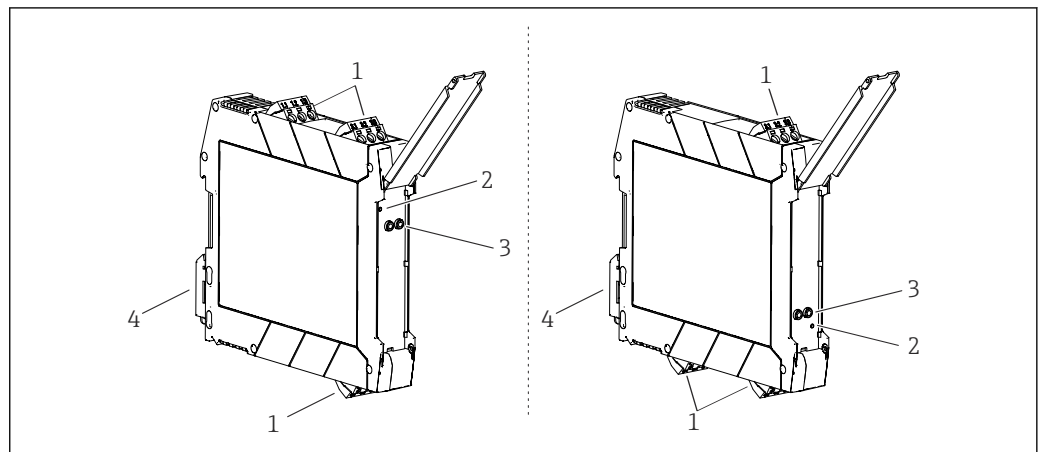
6.4 Connecting the supply voltage

The power is supplied via terminals 1.1 and 1.2.

6.5 Post-connection check

Device condition and specifications	Notes
Are the device or cables free from damage (visual check)?	--
Do the ambient conditions match the device specification (e.g. ambient temperature, measuring range, etc.)?	See 'Technical data'.
Electrical connection	Notes
Does the supply voltage match the information on the nameplate?	Active barrier: U = 24 to 230 V
Are the power supply and signal cables connected correctly?	--
Are all the screw terminals well tightened and have the connections of the push-in terminals been checked?	--

7 Display and operating elements



A0045155

5 Display and operating elements, left: power supply top; right: power supply bottom (option)

- 1 Plug-in screw or push-in terminal
- 2 Green LED "On", power supply
- 3 Connection sockets for HART communication (channel 1)
- 4 DIN rail clip for DIN rail mounting

7.1 Local operation

7.1.1 Hardware settings / configuration

No manual hardware settings are required at the device for commissioning.

Attention must be paid to the different terminal assignment when connecting 2/4-wire transmitters. At the output side, the connected system is detected and automatic switching takes place between the active and passive mode.

8 Commissioning

8.1 Post-installation check


Before commissioning the device, ensure that all post-mounting and post-connection checks have been carried out.

NOTICE

- ▶ Before commissioning the device, make sure that the supply voltage matches the voltage specifications on the nameplate. Failure to perform these checks may result in damage to the device caused by the incorrect supply voltage.

8.2 Switching on the device

Switch on the supply voltage. The green LED display on the front of the device indicates that the device is operational.

-  To prevent incorrect wiring, the output current should be verified when simulating a high alarm at the input.

9 Diagnostics and troubleshooting

9.1 General troubleshooting

Always start troubleshooting with the checklists below if faults occur after startup or during operation. The checklists take you directly (via various queries) to the cause of the problem and the appropriate remedial measures.

-  Due to its design, the device cannot be repaired. However, it is possible to send the device in for examination. See the "Return" section.

General faults


Fault	Possible cause	Remedial action
Device does not respond.	Supply voltage does not match the voltage specified on the nameplate.	Check the voltage directly using a voltmeter and correct.
	Connecting cables are not in contact with the terminals.	Ensure electrical contact between the cable and the terminal.
	Electronics module is defective.	Replace the device.
HART communication is not working.	Missing or incorrectly installed communication resistor.	Install the communication resistor (230 Ω) correctly.
	HART modem is not properly connected.	Connect HART modem correctly.
	HART modem is not set to "HART".	Set HART modem selector switch to "HART".
The power LED on the DIN rail device is not lit (green).	Power failure or insufficient supply voltage.	Check the supply voltage and check if wiring is correct.
High-alarm at the input cannot be output at the output.	Output load is too high (max. output load active / passive: see technical data)	Reduce output load.
	Passive mode: external voltage at the output is incorrectly connected.	Connect external voltage correctly to output.

10 Maintenance and cleaning

No special maintenance work is required for the device.

10.1 Cleaning of surfaces not in contact with the medium

- Recommendation: Use a lint-free cloth that is either dry or slightly dampened using water.
- Do not use any sharp objects or aggressive cleaning agents that corrode the surfaces (displays, housing, for example) and seals.
- Do not use high-pressure steam.
- Observe the degree of protection of the device.

 The cleaning agent used must be compatible with the materials of the device configuration. Do not use cleaning agents with concentrated mineral acids, bases or organic solvents.

11 Repair

11.1 General information

Due to the device's design and construction, it cannot be repaired.

11.2 Spare parts

 Contact the supplier where necessary.

11.3 Return

The requirements for safe device return can vary depending on the device type and national legislation.

1. Ask your supplier for information on returning the device.
2. If returning the device, pack the device in such a way that it is reliably protected against impact and external influences. The original packaging offers the best protection.

11.4 Disposal



If required by the Directive 2012/19/EU on waste electrical and electronic equipment (WEEE), the product is marked with the depicted symbol in order to minimize the disposal of WEEE as unsorted municipal waste. Do not dispose of products bearing this marking as unsorted municipal waste. Instead, return them to the manufacturer for disposal under the applicable conditions.

12 Technical data

12.1 Function and system design

Product description

Product design

Active barrier, 1-channel

- The active barrier is used for the transmission and galvanic isolation of 0/4 to 20 mA/HART signals. The device has an active/passive current input to which a 2- or 4-wire transmitter can be directly connected. The output of the device can be operated actively or passively. The current signal is then available to the PLC / controller or to other instrumentation at plug-in screw terminals or optional push-in terminals.
- HART communication signals are transmitted bidirectionally by the device. Connection sockets for connecting HART communicators are integrated into the front of the device.
- The device is optionally available as an "associated apparatus", which allows devices to be connected in Ex Zone 0/20 [ia] and operated in Ex Zone 2 [ec]. 2-wire transmitters are supplied with power, and transmit analog 0/4 to 20 mA/HART measured values from the hazardous area to the non-hazardous area. These devices are accompanied by separate Ex documentation, which is an integral part of this manual. Compliance with the installation instructions and connection data in this documentation is mandatory!

Dependability

We only provide a warranty if the device is installed and used as described in the Operating Instructions.

12.2 Input

Version

The following versions are available:
1-channel

Input data, measuring range

Input signal range (underrange / overrange)	0 to 22 mA
Function range, input signal	0/4 to 20 mA
Input voltage drop signal for 4-wire connection	< 7 V at 20 mA
Transmitter supply voltage	17.5 V ± 1 V at 20 mA Open-circuit voltage: 24.5 V ± 5 %

12.3 Output

Output data

Output signal range (underrange / overrange)	0 to 22 mA
Function range, output signal	0/4 to 20 mA
Transmission behavior	1:1 to input signal
NAMUR NE 43	A current at the input that is valid according to NAMUR NE 43 is transmitted to the output (within the specified measuring uncertainty range)
Maximum load, active mode	≤ 500 Ω
Open-circuit voltage, active mode	17.5 V (± 5%)
Maximum load, passive mode	$R_{max} = (U_{ext} - 4 V) / 0.022 A$

External voltage, passive mode	U _{ext} = 12 to 30 V
Transmissible communication protocols	HART

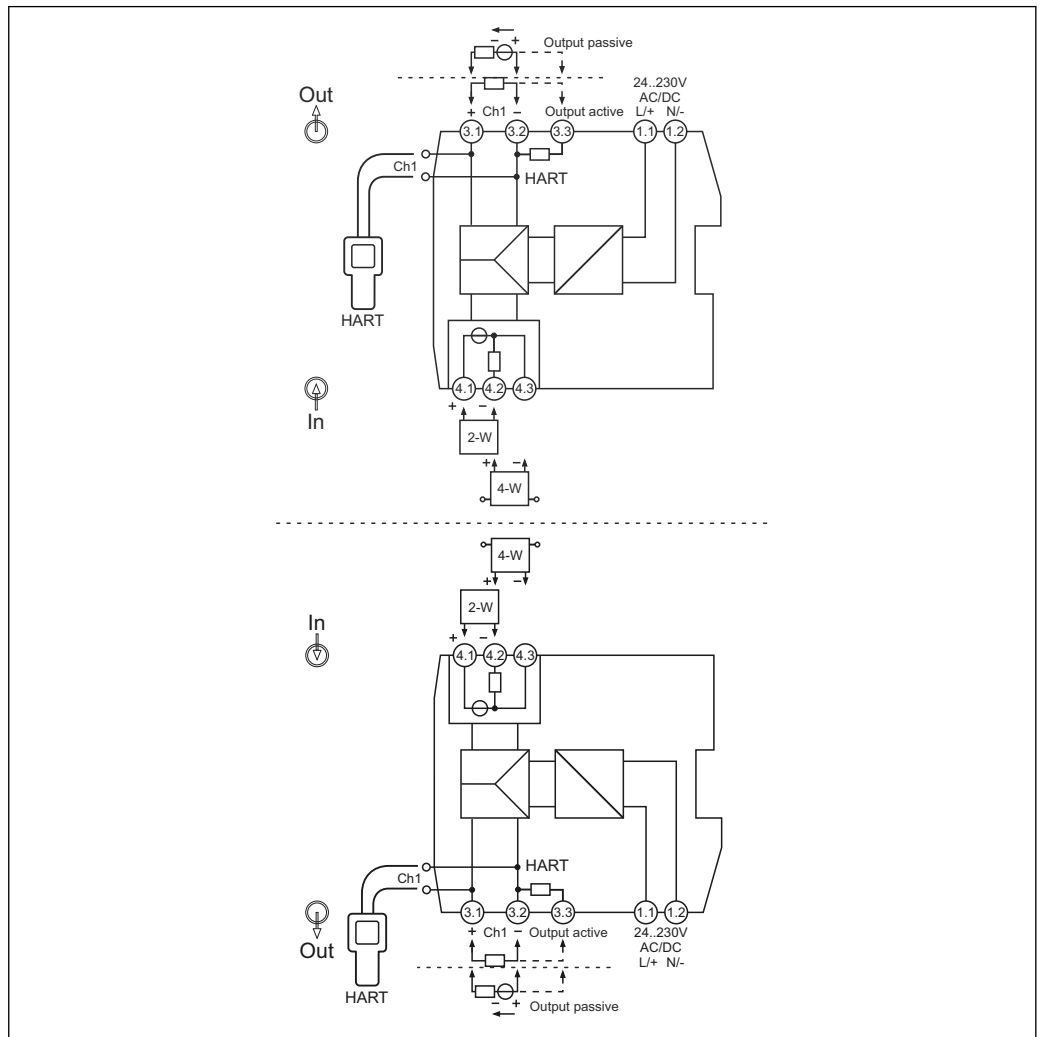
Signal on alarm	Line break in input	Input 0 mA / output 0 mA
	Line short circuit in input	Input > 22 mA/ output > 22 mA

Ex connection data See associated XA Safety Instructions

Galvanic isolation	Power supply for input/output	Testing voltage: 3 000 V _{AC} 50 Hz, 1 min
	Input to output	Testing voltage: 1 500 V _{AC} 50 Hz, 1 min

12.4 Power supply

Terminal assignment **Quick wiring guide**



6 Terminal assignment, top: power supply top; bottom: power supply bottom (option)

A0045153

Connection for operation with active output:

1. Connect + to 3.1.
2. Connect - to 3.2.
 - ↳ Switching of the mode of operation occurs automatically.

Connection for operation with passive output:

1. Connect + to 3.2.
2. Connect - to 3.1.
 - ↳ Switching of the mode of operation occurs automatically.

i HART communicators can be connected to the HART connection sockets. Ensure that there is an adequate external load ($\geq 230 \Omega$) in the output circuit. If the external load is not sufficient, an internal 250Ω communication resistor can be added to the measuring loop via the alternative terminal assignment (terminal 3.3.) to use the HART connection sockets.

Connecting the supply voltage

The power is supplied via terminals 1.1 and 1.2.

Special connection instructions

- Disconnecting units and auxiliary circuit protective systems with suitable AC or DC values must be provided in the building installation.
- A switch/power circuit breaker must be provided close to the device and clearly marked as a disconnecting unit for this device.
- An overcurrent protection unit ($I \leq 10 \text{ A}$) must be provided in the installation.

i For information on the connection data, see the "Technical data" section.

Performance characteristics

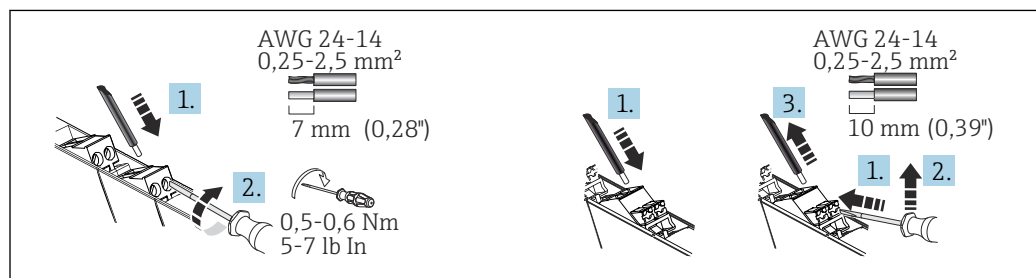
Power supply ¹⁾

Supply voltage	24 to 230 V _{AC/DC} (-20% / +10%, 0/50/60 Hz)
Power consumption	$\leq 4.9 \text{ VA} / 2.4 \text{ W}$ (20 mA); $\leq 5 \text{ VA} / 2.5 \text{ W}$ (22 mA)
Power loss	$\leq 2 \text{ W}$ (20 mA); $\leq 2.1 \text{ W}$ (22 mA)
Current consumption at 24 V _{DC}	$\leq 0.1 \text{ A}$ (20 mA); $\leq 0.1 \text{ A}$ (22 mA)
Current consumption at 230 V _{AC}	$\leq 0.02 \text{ A}$ (20 mA); $\leq 0.02 \text{ A}$ (22 mA)

1) The data apply for the following operating scenario: input active / output active / output load 0Ω . When external voltages are connected to the output, the power loss in the device may increase. The power loss in the device can be reduced by connecting an external output load.

Terminals

A flat-blade screwdriver is required to establish an electrical connection to screw or push-in terminals.



7 Electrical connection using screw terminals (left) and push-in terminals (right)

A0040201

Terminal design	Cable design	Cable cross-section
Screw terminals Tightening torque: minimum 0.5 Nm/maximum 0.6 Nm	Rigid or flexible (Stripping length = 7 mm (0.28 in))	0.2 to 2.5 mm ² (24 to 14 AWG)
	Flexible with wire end ferrules (with or without plastic ferrule)	0.25 to 2.5 mm ² (24 to 14 AWG)
Push-in spring terminals	Rigid or flexible (Stripping length = 10 mm (0.39 in))	0.2 to 2.5 mm ² (24 to 14 AWG)
	Flexible with wire end ferrules (with or without plastic ferrule)	0.25 to 2.5 mm ² (24 to 14 AWG)

Cable specification A shielded cable is recommended for HART communication. Observe grounding concept of the plant.

12.5 Performance characteristics

Response time	Step response (10 to 90 %)	≤ 1 ms
---------------	----------------------------	--------

Reference conditions

- Calibration temperature: +25 °C ±3 K (77 °F ±5.4 °F)
- Supply voltage: 230 V_{AC}
- Output load: 225 Ω
- External output voltage (passive output): 20 V_{DC}
- Warm-up: > 1 h

Maximum measured error	<i>Accuracies</i>	
	Transmission error	< 0.1 % / of full scale value (<20 μA)
	Temperature coefficient	< 0.01 % /K

Long-term drift Max. ±0.1 %/year (of full scale value)

12.6 Mounting

Mounting location The device is designed for installation on 35 mm (1.38 in) DIN rails in accordance with IEC 60715 (TH35).

NOTICE

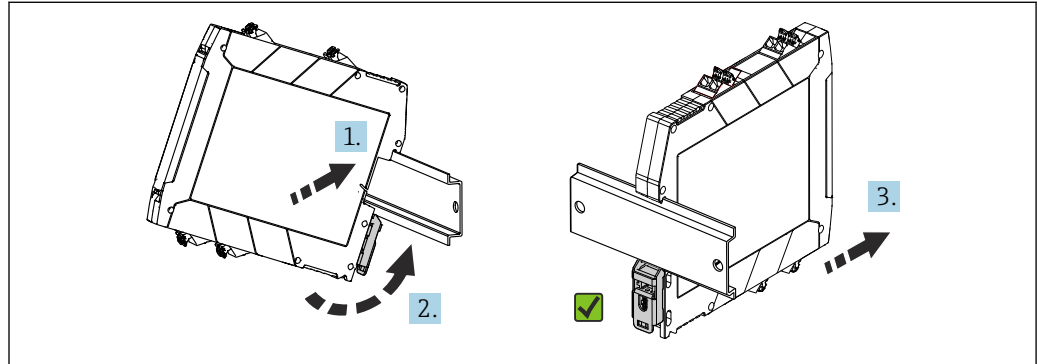
- ▶ When using in hazardous areas, the limit values of the certificates and approvals must be observed.

 For information on ambient conditions, see the "Technical data" section.

Installing a DIN rail device The device can be installed in any position (horizontal or vertical) on the DIN rail without lateral clearance from neighboring devices. No tools are required for installation. The use

of end brackets (type WEW "35/1" or similar) on the DIN rail is recommended as an end support for the device.

i When installing several devices side by side, it is important to ensure that the maximum side wall temperature of 80 °C (176 °F) of the individual devices is not exceeded. If this cannot be guaranteed, mount the devices at a distance from one another or ensure sufficient cooling.



8 Installing on DIN rail

A0041736

1. Position the top DIN rail groove at the top end of the DIN rail.
2. While holding the front of the device horizontally, lower it until you hear the locking clip of the device click into place on the DIN rail.
3. Pull gently on the device to check if it is correctly mounted on the DIN rail.

12.7 Environment

Important ambient conditions	Ambient temperature range	-40 to 60 °C (-40 to 140 °F)	Storage temperature	-40 to 80 °C (-40 to 176 °F)
	Degree of protection	IP 20	Overvoltage category	II
	Pollution degree	2	Humidity	5 to 95 %
	Operating altitude, hazardous area version	≤ 2 000 m (6 562 ft)	Operating altitude, non-hazardous area version	≤ 4 000 m (13 123 ft)
			Insulation class	Class II


Maximum temperature change rate: 0.5 °C/min, no condensation permitted

Shock and vibration resistance: Sinusoidal vibrations, in accordance with IEC 60068-2-6

- 5 to 13.2 Hz: 1 mm peak
- 13.2 to 100 Hz: 0.7g peak

Electromagnetic compatibility (EMC): **CE compliance**
 Electromagnetic compatibility in accordance with all the relevant requirements of the IEC/EN 61326 series and NAMUR Recommendation EMC (NE21). For details, refer to the Declaration of Conformity.

- Maximum measured error < 1% of full scale value
- Strong, pulse-like EMC interference can result in transient (< 1 s) deviations in the output signal ($\geq \pm 1\%$)
- Interference immunity as per IEC/EN 61326 series, industrial requirements
- Interference emission according to IEC/EN 61326 series (CISPR 11) Group 1 Class A

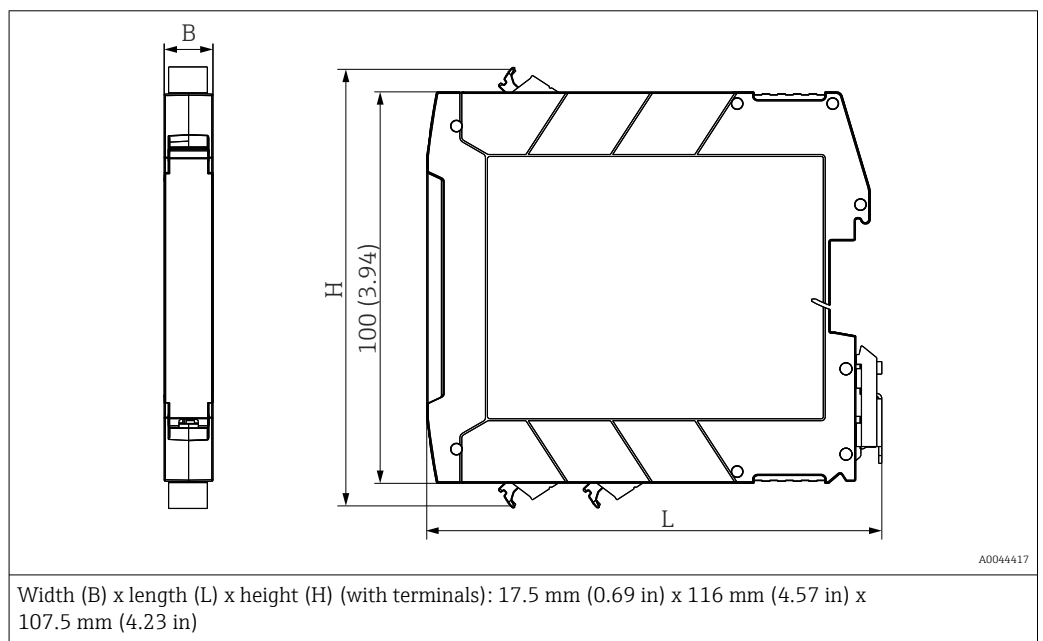
 This unit is not intended for use in residential environments and cannot guarantee adequate protection of the radio reception in such environments.

12.8 Mechanical construction

Design, dimensions

Dimensions in mm (in)

Terminal housing for mounting on DIN rail



Weight

Device with terminals (values rounded up):
Approx. 135 g (4.76 oz)

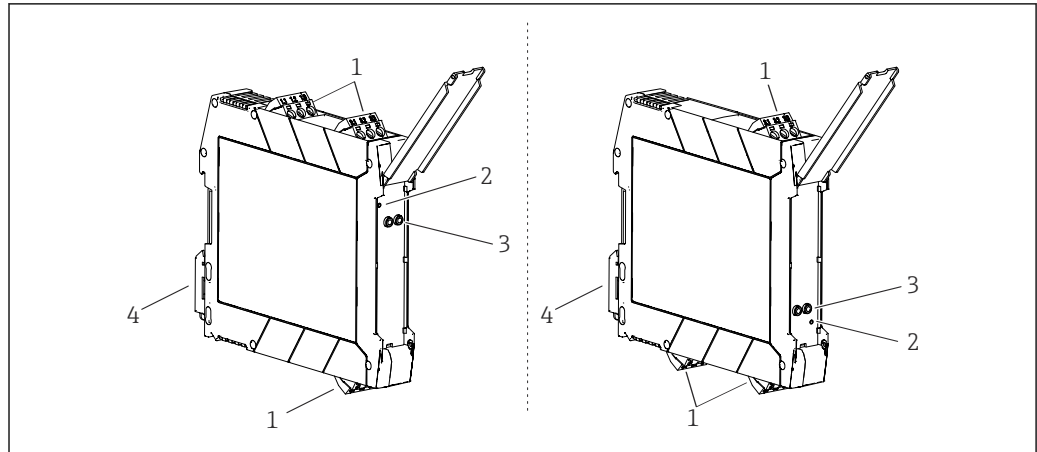
Color

Light gray


Materials

All the materials used are RoHS-compliant.
Housing: polycarbonate (PC); flammability rating according to UL94: V-0

12.9 Display and operating elements



A0045155

 9 *Display and operating elements, left: power supply top; right: power supply bottom (option)*

- 1 *Plug-in screw or push-in terminal*
- 2 *Green LED "On", power supply*
- 3 *Connection sockets for HART communication (channel 1)*
- 4 *DIN rail clip for DIN rail mounting*

Local operation

Hardware settings / configuration


No manual hardware settings are required at the device for commissioning.

Attention must be paid to the different terminal assignment when connecting 2/4-wire transmitters. At the output side, the connected system is detected and automatic switching takes place between the active and passive mode.

12.10 Accessories


Various accessories are available for the device, and can be ordered with the device or at a later stage. Detailed information on the relevant order code is available from the supplier.

12.11 Certificates and approvals

 For certificates and approvals valid for the device: see the data on the nameplate


Functional safety

A SIL version of the device is optionally available. It can be used in safety equipment in accordance with IEC 61508 up to SIL 2 (SC 3) .

 Please refer to Safety Manual FY01034K for the use of the device in safety instrumented systems according to IEC 61508.

12.12 Documentation

The following documentation may be available depending on the device version ordered:

Document type	Purpose and content of the document
Brief Operating Instructions (KA)	Guide that takes you quickly to the 1st measured value The Brief Operating Instructions contain all the essential information from incoming acceptance to initial commissioning.
Operating Instructions (BA)	Your reference document The Operating Instructions contain all the information that is required in various phases of the life cycle of the device: from product identification, incoming acceptance and storage, to mounting, connection, operation and commissioning through to troubleshooting, maintenance and disposal.
Description of Device Parameters (GP)	Reference for your parameters The document provides a detailed explanation of each individual parameter. The description is aimed at those who work with the device over the entire life cycle and perform specific configurations.
Safety instructions (XA)	Depending on the approval, safety instructions for electrical equipment in hazardous areas are also supplied with the device. They are an integral part of the Operating Instructions.  The nameplate indicates which Safety Instructions (XA) apply to the device in question.
Supplementary device-dependent documentation (SD/FY)	Always comply strictly with the instructions in the relevant supplementary documentation. The supplementary documentation is an integral part of the device documentation.



71687489