

Technical Information

Micropilot FMR67B

HART

Free-space radar



Level measurement in bulk solids

Application

- Continuous, non-contact level measurement of powdered to granular bulk solids
- Process connections: Flanges with purge air and alignment unit
- Maximum measuring range: 125 m (410 ft)
- Temperature: -40 to +450 °C (-40 to +842 °F)
- Pressure: -1 to +160 bar (-14.5 to +2 321 psi)
- Accuracy: ±3 mm (±0.12 in)

Your benefits

- PTFE lens antenna or ceramic sealed high-temperature horn antenna
- Reliable measurement thanks to strong signal focusing, even with multiple internal fixtures
- Easy, guided commissioning with intuitive user interface
- *Bluetooth*® wireless technology for commissioning, operation and maintenance
- SIL2 as per IEC 61508, SIL3 for homogeneous redundancy

Table of contents

Important document information	4	Process	38
Symbols	4	Process pressure range	38
Graphic conventions	5	Dielectric constant	40
Function and system design	5	Mechanical construction	40
Measuring principle	5	Dimensions	40
Reliability	6	Weight	60
Input	6	Materials	61
Measured variable	6	Display and user interface	67
Measuring range	6	Operating concept	67
Operating frequency	7	Languages	67
Transmission power	7	Local operation	67
Output	7	Local display	68
Output signal	7	Remote operation	68
Signal on alarm	9	System integration	68
Load	10	Supported operating tools	68
Linearization	10	Certificates and approvals	68
Protocol-specific data	11	CE mark	68
Wireless HART data	12	RoHS	68
Power supply	12	RCM marking	69
Terminal assignment	12	Ex approvals	69
Available device plugs	15	Functional safety	69
Supply voltage	16	Pressure equipment with permitted pressure \leq	
Electrical connection	16	200 bar (2 900 psi)	69
Potential equalization	18	Radio approval	69
Terminals	18	EN 302729 radio standard	69
Cable entries	19	EN 302372 radio standard	70
Cable specification	19	FCC	70
Overvoltage protection	19	Industry Canada	70
Performance characteristics	20	Other standards and guidelines	71
Reference operating conditions	20	Ordering information	71
Measured value resolution	20	Calibration	71
Maximum measured error	20	Service	72
Response time	20	Test, certificate, declaration	72
Influence of ambient temperature	21	Identification	72
Installation	21	Application packages	73
Mounting location	21	Heartbeat Technology	73
Orientation	22	Accessories	74
Installation instructions	23	Weather protection cover: 316L, XW112	74
Beam angle	26	Weather protection cover, plastic, XW111	75
Special mounting instructions	28	Adjustable flange seal	75
Environment	29	M12 plug-in jack	78
Ambient temperature range	29	Remote display FHX50B	79
Ambient temperature limits	29	Gas-tight feedthrough	80
Storage temperature	37	CommuBox FXA195 HART	81
Climate class	37	HART loop converter HMX50	81
Installation height as per IEC61010-1 Ed.3	37	FieldPort SWA50	81
Degree of protection	37	Wireless HART adapter SWA70	81
Vibration resistance	38	Fieldgate FXA42	81
Electromagnetic compatibility (EMC)	38	Field Xpert SMT70	81
		DeviceCare SFE100	81
		FieldCare SFE500	81

Memograph M RSG45 81
RN42 81
Documentation 82
Registered trademarks 82

Important document information

Symbols

Safety symbols



This symbol alerts you to a dangerous situation. Failure to avoid this situation will result in serious or fatal injury.



This symbol alerts you to a potentially dangerous situation. Failure to avoid this situation can result in serious or fatal injury.



This symbol alerts you to a potentially dangerous situation. Failure to avoid this situation can result in minor or medium injury.



This symbol alerts you to a potentially harmful situation. Failure to avoid this situation can result in damage to the product or something in its vicinity.

Electrical symbols



Direct current



Alternating current



Direct current and alternating current



Ground connection

A grounded terminal which, as far as the operator is concerned, is grounded via a grounding system.



Protective earth (PE)

Ground terminals that must be connected to ground prior to establishing any other connections. The ground terminals are located on the inside and outside of the device.

- Inner ground terminal; protective earth is connected to the mains supply.
- Outer ground terminal; device is connected to the plant grounding system.

Symbols for certain types of information and graphics



Procedures, processes or actions that are permitted



Procedures, processes or actions that are preferred



Procedures, processes or actions that are forbidden



Indicates additional information



Reference to documentation



Reference to graphic

1, 2, 3, ...

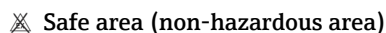
Item numbers

A, B, C, ...

Views



Indicates the hazardous area



Indicates the non-hazardous area

Graphic conventions

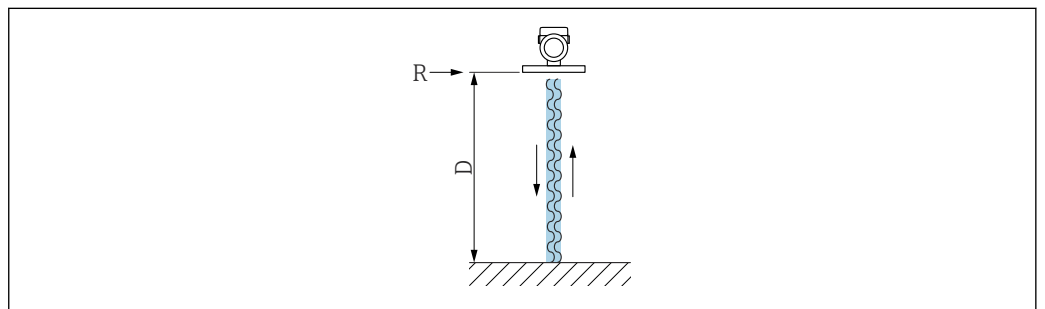


- Installation, explosion and electrical connection drawings are presented in simplified format
- Devices, assemblies, components and dimensional drawings are presented in reduced-line format
- Dimensional drawings are not to-scale representations; the dimensions indicated are rounded off to 2 decimal places
- Unless otherwise described, flanges are presented with sealing surface form EN1091-1, B2; ASME B16.5, RF; JIS B2220, RF

Function and system design

Measuring principle

The Micropilot is a "downward-looking" measuring system, operating based on the frequency modulated continuous wave method (FMCW). The antenna emits an electromagnetic wave at a continuously varying frequency. This wave is reflected by the product and received again by the antenna.



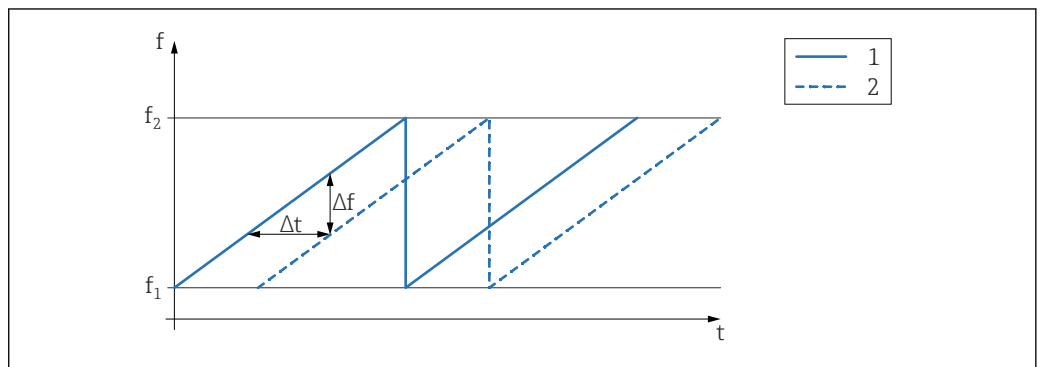
A0032017

1 FMCW principle: transmission and reflection of the continuous wave

R Reference point of measurement

D Distance between reference point and product surface

The frequency of this wave is modulated in the form of a sawtooth signal between two limit frequencies f_1 and f_2 :



A0023771

2 FMCW principle: result of frequency modulation

1 Transmitted signal

2 Received signal

This results in the following difference frequency at any time between the transmitted signal and the received signal:

$$\Delta f = k \Delta t$$

where Δt is the run time and k is the specified increase in frequency modulation.

Δt is given by the distance D between the reference point R and the product surface:

$$D = (c \Delta t) / 2$$

where c is the speed of propagation of the wave.

In summary, D can be calculated from the measured difference frequency Δf . D is then used to determine the content of the tank or silo.

Reliability

IT security

The manufacturer warranty is valid only if the product is installed and used as described in the Operating Instructions. The product is equipped with security mechanisms to protect it against any inadvertent changes to the settings.

IT security measures, which provide additional protection for the product and associated data transfer, must be implemented by the operators themselves in line with their security standards.

Input

Measured variable

The measured variable is the distance between the reference point and the product surface. The level is calculated based on "E", the empty distance entered.

Measuring range

The start of the measuring range is the point where the beam hits the floor. Levels below this point cannot be measured, particularly in the case of conical outlets. An alignment unit can be used to increase the maximum measuring range in such applications.

Maximum measuring range

The maximum measuring range depends on the antenna size and design.

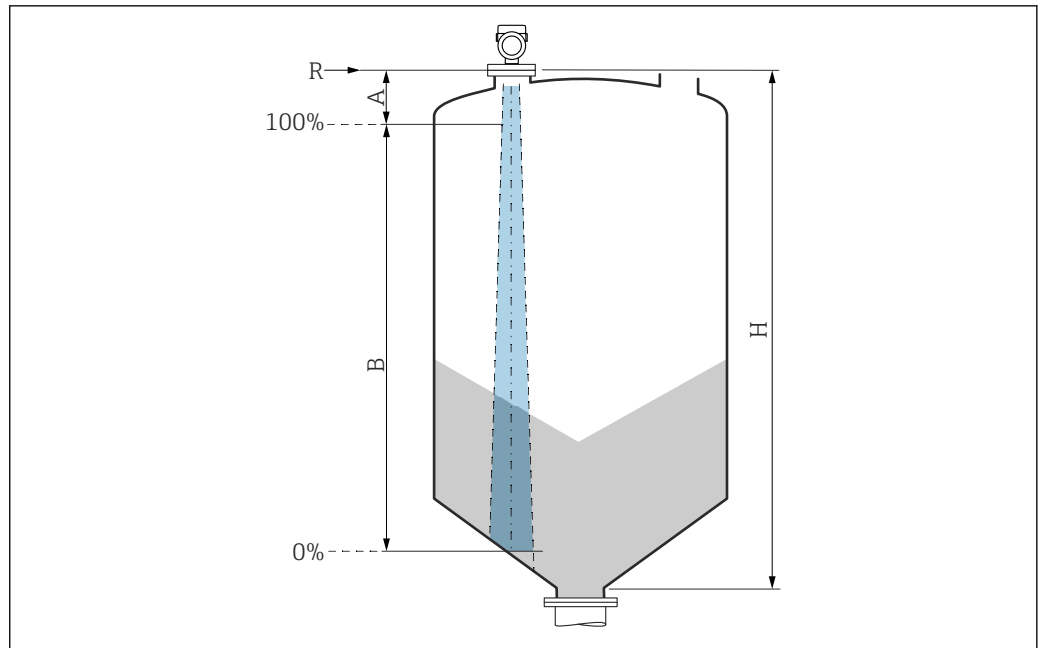
Antenna	Maximum measuring range
Horn, 316L, 65 mm (2.6 in)	125 m (410 ft)
Drip-off, PTFE, 50 mm (2 in)	50 m (164 ft)
Flush mount, PTFE, 80 mm (3 in)	125 m (410 ft)

Usable measuring range

The usable measuring range depends on the antenna size, the medium's reflective properties, the installation position and any possible interference reflections.

In principle, measurement is possible up to the tip of the antenna.

Depending on the position of the product (angle of repose) and to avoid any material damage from abrasive media and deposit buildup on the antenna, the end of the measuring range should be selected 10 mm (0.4 in) before the tip of the antenna.



A0051659

- A Length of antenna + 10 mm (0.4 in)
- B Usable measuring range
- H Silo height
- R Reference point of measurement, varies depending on the antenna system

For further information on the reference point, see → Mechanical construction.



For the relative permittivity values (ϵ_r values) of many media commonly used in industry, please refer to:

- Relative permittivity (ϵ_r value), Compendium CP01076F
- The Endress+Hauser "DC Values app" (available for Android and iOS)

Operating frequency

Approx. 80 GHz

Up to 8 devices can be installed in a tank without the devices mutually influencing one another.

Transmission power

- Peak power: <1.5 mW
- Average output power: <70 μ W

Output

Output signal

HART

Signal coding:

FSK \pm 0.5 mA over current signal

Data transmission rate:

1 200 Bit/s

Galvanic isolation:


Yes

Current output 1, 4 to 20 mA passive


4 to 20 mA with superimposed digital communication protocol HART, 2-wire

Current output 1 offers three operating modes for selection:

- 4.0 to 20.5 mA
- NAMUR NE 43: 3.8 to 20.5 mA (factory setting)
- US mode: 3.9 to 20.8 mA

 Current output 1 is always assigned to the level measured value.

Current output 2, 4 to 20 mA passive (optional)

 Current output 2 is available as an option.

Current output 2 offers three operating modes for selection:


- 4.0 to 20.5 mA
- NAMUR NE 43: 3.8 to 20.5 mA (factory setting)
- US mode: 3.9 to 20.8 mA

 Current output 2 can be assigned to the following device variables:

- Level linearized
- Distance
- Terminal voltage
- Electronics temperature
- Sensor temperature
- Absolute echo amplitude
- Relative echo amplitude
- Area of incoupling
- Percent of range
- Loop current
- Terminal current
- **Buildup index** parameter, optional (Guidance → Heartbeat Technology → Buildup detection → Configuration → Buildup index)
- **Buildup detection on current output 2?** parameter, optional (Guidance → Heartbeat Technology → Buildup detection → Diagnostic settings → Buildup detection on current output 2?) Note: If "Yes" is selected here, the previous setting of "Output settings" will be overwritten.
- **Foam index** parameter, optional (Guidance → Heartbeat Technology → Foam detection → Configuration → Foam index)
- **Foam detection on current output 2?** parameter, optional (Guidance → Heartbeat Technology → Foam detection → Diagnostic settings → Foam detection on current output 2?) Note: If "Yes" is selected here, the previous setting of "Output settings" will be overwritten.
- **Loop diagnostics on current output 2?** parameter, optional (Guidance → Heartbeat Technology → Loop diagnostics → Activate/Deactivate → Loop diagnostics on current output 2?) Note: If "Yes" is selected here, the previous setting of "Output settings" will be overwritten.

Switching output (optional)

 The switching output is available as an option.

- Function:
 - Open collector switching output
- Switching behavior:
 - Binary (conductive or non-conductive), switches when the programmable switch-on point/switch-off point is reached
- Failure mode:
 - Non-conductive
- Electrical connection data:
 - $U = 16 \text{ to } 35 \text{ V}_{DC}$, $I = 0 \text{ to } 40 \text{ mA}$
- Internal resistor:
 - $R_i < 880 \text{ } \Omega$
 - The voltage drop at this internal resistor must be taken into account when planning the configuration. For example, the resulting voltage at a connected relay must be sufficient to switch the relay.
 -  For optimum interference immunity, we recommend to connect an external resistor (internal resistance of the relay or pull-up resistor) of $< 1 \text{ k}\Omega$.
- Insulation voltages:
 - Floating, insulation voltage 1350 V_{DC} in relation to power supply and 500 V_{AC} in relation to ground
- Switching point:
 - User-programmable, separate for switch-on point and switch-off point

- Switching delay:
User-programmable in the 0 to 100 s range, separate for switch-on point and switch-off point
- Scan rate:
Corresponds to the measuring cycle
- Number of switch cycles:
Unlimited



The switching output can be assigned to the following device variables:

- Level linearized
 - Distance
 - Terminal voltage
 - Electronics temperature
 - Sensor temperature
 - Relative echo amplitude
 - Area of incoupling
- **Buildup index** parameter, optional (Guidance → Heartbeat Technology → Buildup detection → Configuration → Buildup index)
- **Buildup detection on switch output?** parameter, optional (Guidance → Heartbeat Technology → Buildup detection → Diagnostic settings → Buildup detection on switch output?) Note: If "Yes" is selected here, the previous setting of "Output settings" will be overwritten.
- **Foam index** parameter, optional (Guidance → Heartbeat Technology → Foam detection → Configuration → Foam index)
- **Foam detection on switch output?** parameter, optional (Guidance → Heartbeat Technology → Foam detection → Diagnostic settings → Foam detection on switch output?) Note: If "Yes" is selected here, the previous setting of "Output settings" will be overwritten.
- **Loop diagnostics on switch output?** parameter, optional (Guidance → Heartbeat Technology → Loop diagnostics → Activate/Deactivate → Loop diagnostics on switch output?) Note: If "Yes" is selected here, the previous setting of "Output settings" will be overwritten.

Signal on alarm

Current output

Failure mode (according to NAMUR Recommendation NE 43):

- Minimum alarm (= factory setting): 3.6 mA
- Maximum alarm: 22 mA
- Failure mode with user-configurable value: 3.59 to 22.5 mA

Local display

Status signal (according to NAMUR Recommendation NE 107):

Plain text display

Operating tool via service interface (CDI)

Status signal (according to NAMUR Recommendation NE 107):

Plain text display

Operating tool via HART communication

Status signal (according to NAMUR Recommendation NE 107):

Plain text display

Protocol-specific data

HART

Manufacturer ID:

17 (0x11{hex})

Device type ID:

0x11C1

Device revision:

1

HART specification:

7

DD version:

1

Device description files (DTM, DD)

Information and files available at:

- www.endress.com
On the product page for the device: Documents/Software → Device drivers
- www.fieldcommgroup.org

HART load:

Min. 250 Ω

HART device variables

The following measured values are assigned to the device variables at the factory:

Device variable	Measured value
Assign PV (The PV is always applied to current output 1)	Level linearized
Assign SV	Distance
Assign TV	Absolute echo amplitude
Assign QV	Relative echo amplitude

Choice of HART device variables

- Level linearized
- Distance
- Terminal voltage
- Electronics temperature
- Sensor temperature
- Absolute echo amplitude
- Relative echo amplitude
- Area of incoupling
- Percent of range
- Loop current
- Terminal current
- **Buildup index** parameter, optional (Guidance → Heartbeat Technology → Buildup detection → Configuration → Buildup index)
- **Buildup detection** parameter, optional (Guidance → Heartbeat Technology → Buildup detection → Configuration → Buildup detection)
- **Foam index** parameter, optional (Guidance → Heartbeat Technology → Foam detection → Configuration → Foam index)
- **Foam detection** parameter, optional (Guidance → Heartbeat Technology → Foam detection → Configuration → Foam detection)
- **Loop diagnostics** parameter, optional (Diagnostics → Heartbeat Technology → Loop diagnostics → Loop diagnostics)

Supported functions

- Burst mode
- Additional transmitter status
- Device locking

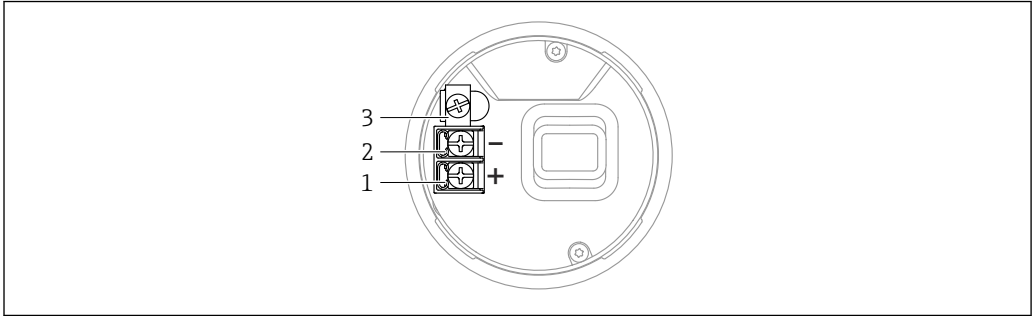
Wireless HART data

- Minimum start-up voltage:**
10.5 V
- Start-up current:**
< 3.6 mA
- Starting time:**
< 15 s
- Minimum operating voltage:**
10.5 V
- Multidrop current:**
4 mA
- Time to establish connection:**
< 30 s

Power supply

Terminal assignment

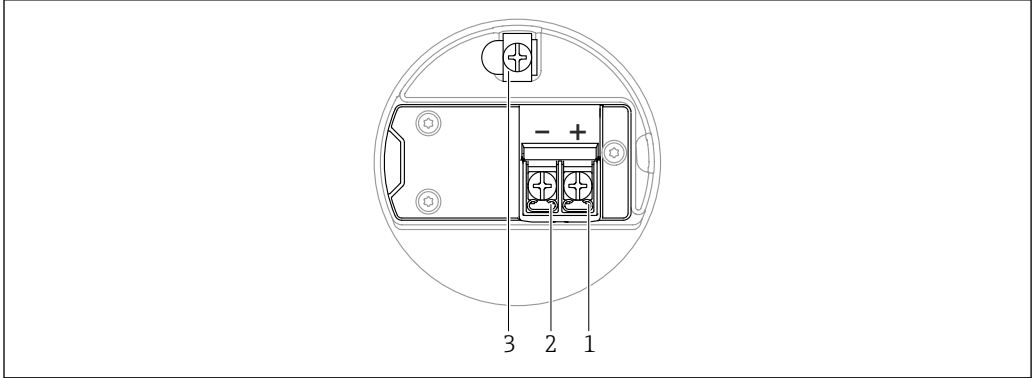
Single compartment housing



A0042594

- 3 Connection terminals and ground terminal in the connection compartment, single compartment housing
- 1 Positive terminal
- 2 Negative terminal
- 3 Internal ground terminal

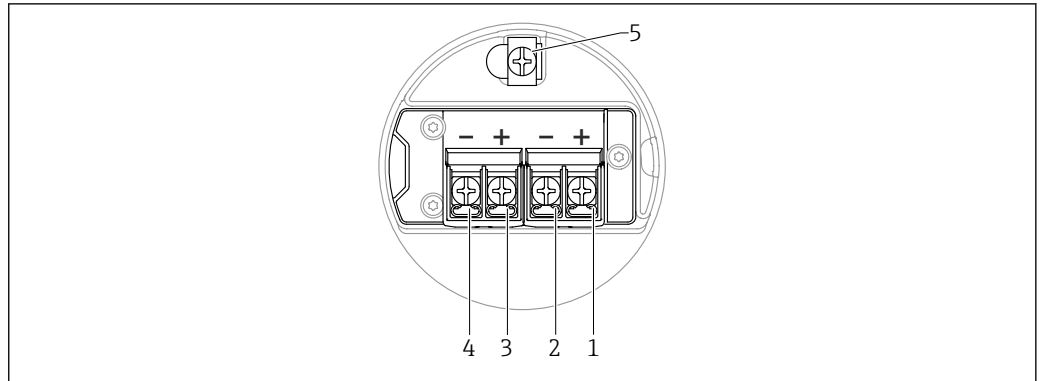
Dual compartment housing; 4 to 20 mA HART



A0042803

- 4 Terminal assignment in connection compartment; 4 to 20 mA HART; dual compartment housing
- 1 Plus terminal 4 to 20 mA HART
- 2 Minus terminal 4 to 20 mA HART
- 3 Internal ground terminal

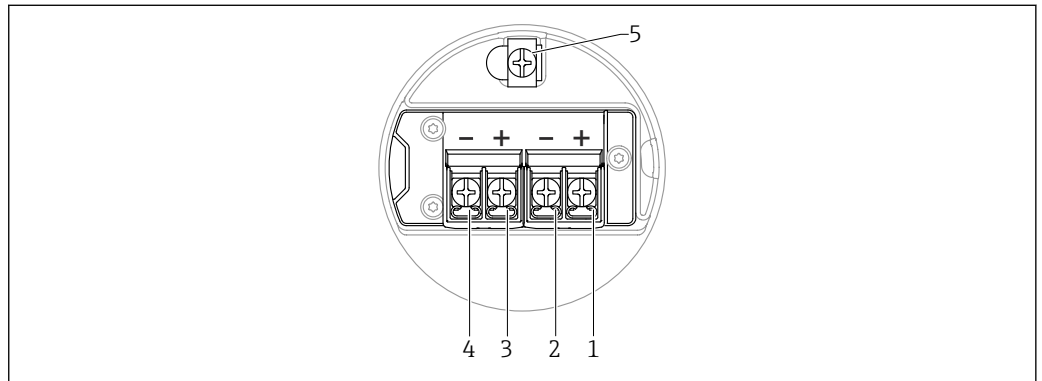
Dual compartment housing; 4 to 20 mA HART + 4 to 20 mA analog (optional)



A0054875

- ▣ 5 Terminal assignment in connection compartment; 4 to 20 mA HART + 4 to 20 mA analog; dual compartment housing
- 1 Plus terminal 4 to 20 mA HART (current output 1)
 - 2 Minus terminal 4 to 20 mA HART (current output 1)
 - 3 Plus terminal 4 to 20 mA analog (current output 2)
 - 4 Minus terminal 4 to 20 mA analog (current output 2)
 - 5 Internal ground terminal

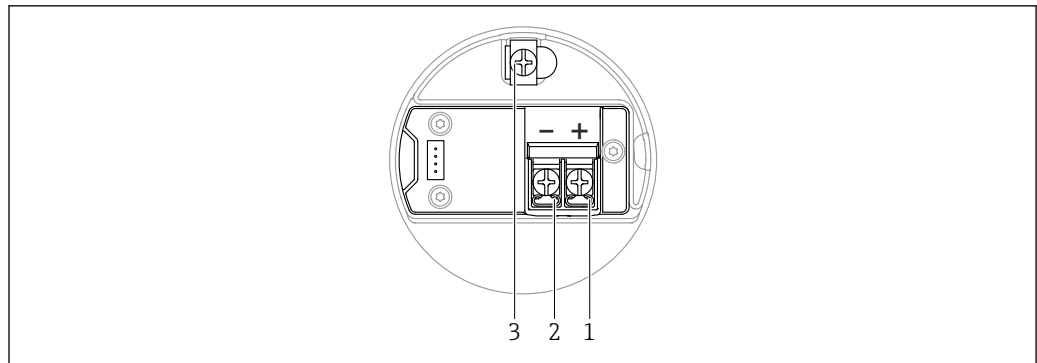
Dual compartment housing; 4 to 20 mA HART, switching output (optional)



A0054875

- ▣ 6 Terminal assignment in connection compartment; 4 to 20 mA HART, switching output, dual compartment housing
- 1 Plus terminal 4 to 20 mA HART (current output 1)
 - 2 Minus terminal 4 to 20 mA HART (current output 1)
 - 3 Plus terminal switching output (open collector)
 - 4 Minus terminal switching output (open collector)
 - 5 Internal ground terminal

Dual compartment housing L-shaped; 4 to 20 mA HART

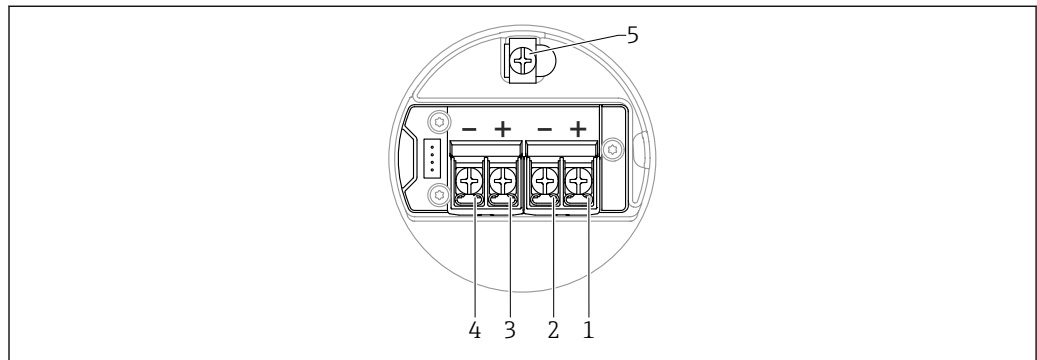


A0045842

7 Terminal assignment in connection compartment; 4 to 20 mA HART; dual compartment housing L-shaped

- 1 Plus terminal 4 to 20 mA HART
- 2 Minus terminal 4 to 20 mA HART
- 3 Internal ground terminal

Dual compartment housing L-shaped; 4 to 20 mA HART + 4 to 20 mA analog (optional)

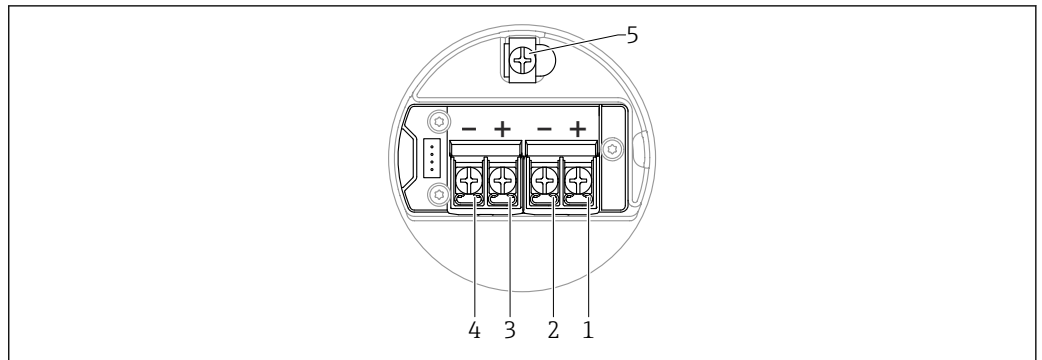


A0054876

8 Terminal assignment in connection compartment; 4 to 20 mA HART + 4 to 20 mA analog; dual compartment housing L-shaped

- 1 Plus terminal 4 to 20 mA HART (current output 1)
- 2 Minus terminal 4 to 20 mA HART (current output 1)
- 3 Plus terminal 4 to 20 mA analog (current output 2)
- 4 Minus terminal 4 to 20 mA analog (current output 2)
- 5 Internal ground terminal

Dual compartment housing L-shaped; 4 to 20 mA HART, switching output (optional)



9 Terminal assignment in connection compartment; 4 to 20 mA HART, switching output; dual compartment housing L-shaped

- 1 Plus terminal 4 to 20 mA HART (current output 1)
- 2 Minus terminal 4 to 20 mA HART (current output 1)
- 3 Plus terminal switching output (open collector)
- 4 Minus terminal switching output (open collector)
- 5 Internal ground terminal

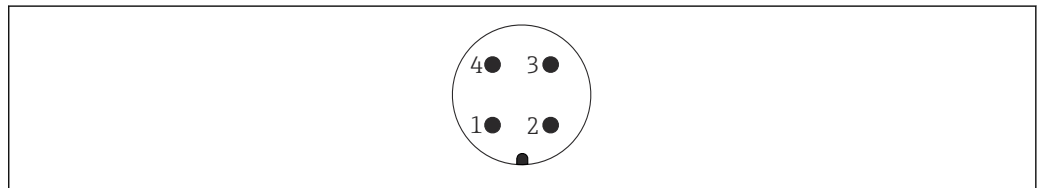
Available device plugs



In the case of devices with a plug, it is not necessary to open the housing for connection purposes.

Use the enclosed seals to prevent the penetration of moisture into the device.

Devices with M12 plug

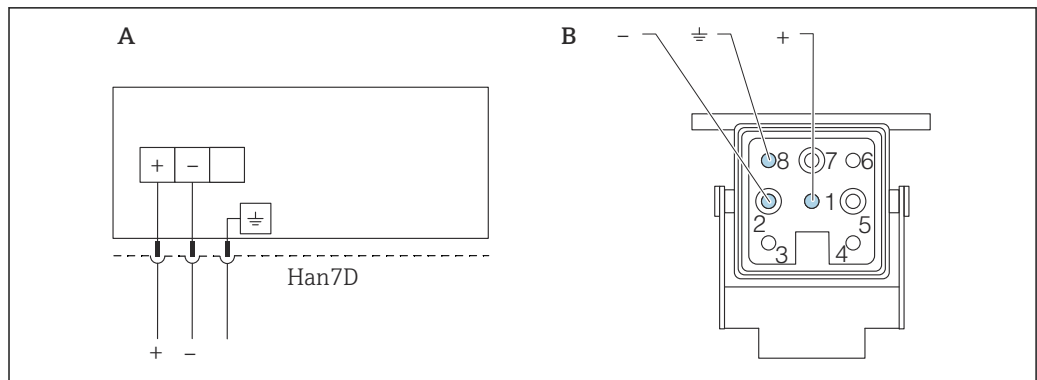


10 View of the plug-in connection on the device

- 1 Signal +
- 2 Not used
- 3 Signal -
- 4 Ground

Various M12 plug sockets are available as accessories for devices with M12 plugs.

Measuring instruments with Harting plug Han7D



A0041011

- A Electrical connection for devices with Harting plug Han7D
- B View of the plug connection on the device
- Brown
- ⊕ Green-yellow
- + Blue

Material

- CuZn
- Gold-plated plug-in jack and plug contacts

Supply voltage

The supply voltage depends on the device approval type selected.

Non-hazardous, Ex d, Ex e	10.5 to 35 V _{DC}
Ex i	10.5 to 30 V _{DC}
Nominal current	4 to 20 mA
Power consumption	0.9 W max.

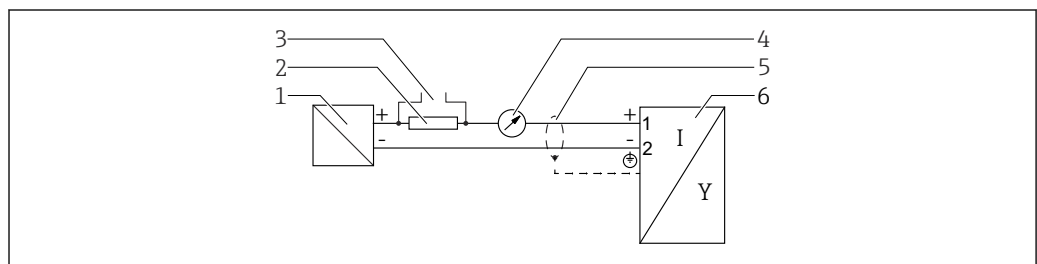


The power unit must be safety-approved (e.g. PELV, SELV, Class 2) and must comply with the relevant protocol specifications.

A suitable circuit breaker must be provided for the device in accordance with IEC/EN 61010-1.

Electrical connection

Function diagram 4 to 20 mA HART

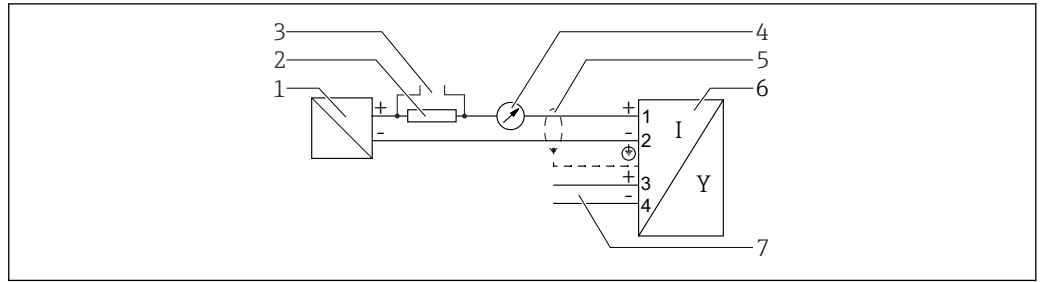


A0036499

11 Function diagram 4 to 20 mA HART

- 1 Active barrier for power supply; observe terminal voltage
- 2 Resistor for HART communication ($\geq 250 \Omega$); observe maximum load
- 3 Connection for Commubox FXA195 or FieldXpert (via VIATOR Bluetooth modem)
- 4 Analog display unit; observe maximum load
- 5 Cable screen; observe cable specification
- 6 Measuring instrument

Function diagram 4 to 20 mA HART, switching output (optional)

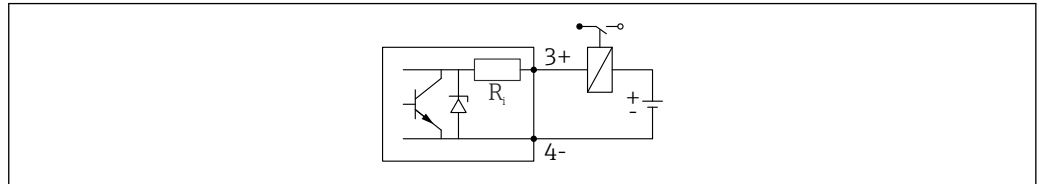


A0036501

12 Function diagram 4 to 20 mA HART, switching output

- 1 Active barrier for power supply; observe terminal voltage
- 2 Resistor for HART communication ($\geq 250 \Omega$); observe maximum load
- 3 Connection for Commubox FXA195 or FieldXpert (via VIATOR Bluetooth modem)
- 4 Analog display unit; observe maximum load
- 5 Cable screen; observe cable specification
- 6 Measuring instrument
- 7 Switching output (open collector)

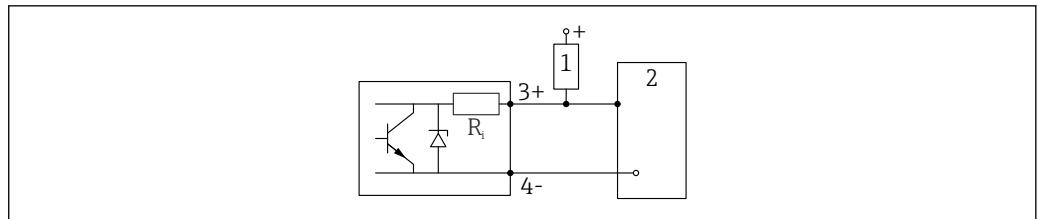
Connection example of relay



A0015909

13 Connection example of relay

Connection example for the digital input

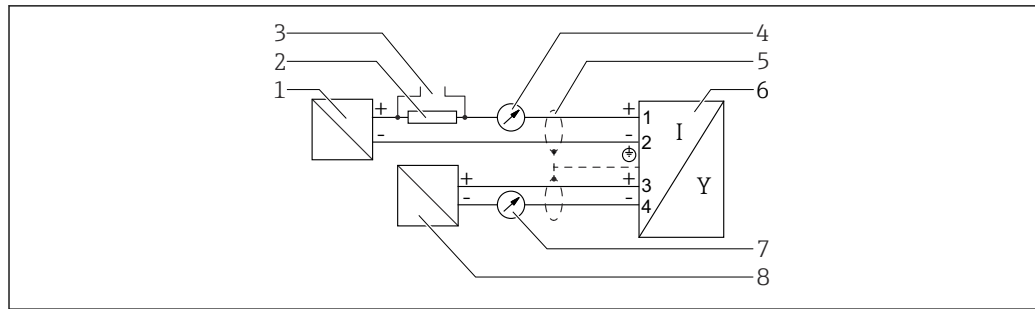


A0015910

14 Connection example for the digital input

- 1 Pull-up resistor
- 2 Digital input

Function diagram 4 to 20 mA HART + 4 to 20 mA analog (optional)



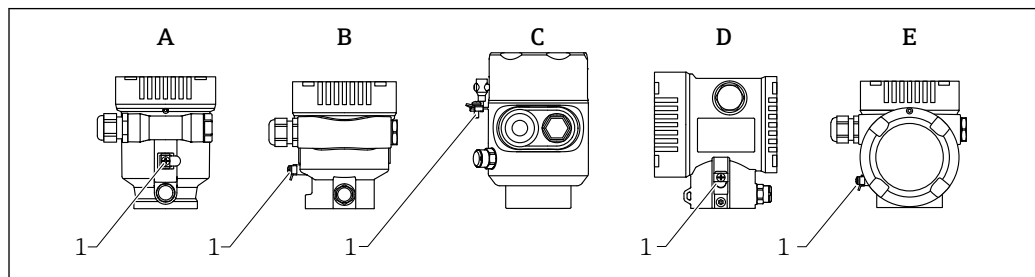
A0036502

15 Function diagram 4 to 20 mA HART + 4 to 20 mA analog

- 1 Active barrier for power supply, current output 1; observe terminal voltage
- 2 Resistor for HART communication ($\geq 250 \Omega$); observe maximum load
- 3 Connection for Commubox FXA195 or FieldXpert (via VIATOR Bluetooth modem)
- 4 Analog display unit; observe maximum load
- 5 Cable screen; observe cable specification
- 6 Measuring instrument
- 7 Analog display unit; observe maximum load
- 8 Active barrier for power supply, current output 2; observe terminal voltage

Potential equalization

The protective ground on the device must not be connected. If necessary, the potential matching line can be connected to the outer ground terminal of the housing before the device is connected.



A0046583

- A Single compartment housing, plastic
- B Single compartment housing, aluminum, coated
- C Single compartment housing, 316L, hygiene (Ex device)
- D Dual compartment housing, aluminum, coated
- E Dual compartment housing, L-shaped, aluminum, coated
- 1 Ground terminal for connecting the potential matching line

⚠ WARNING

Ignitable sparks or impermissible high surface temperatures.

Explosion hazard!

- ▶ Please refer to the separate documentation on applications in hazardous areas for the safety instructions.



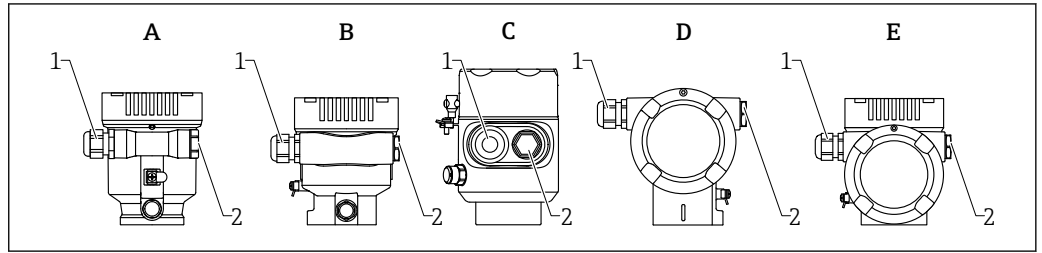
For optimum electromagnetic compatibility:

- Keep potential matching line as short as possible
- Observe minimum cross-section of 2.5 mm^2 (14 AWG)

Terminals

- Supply voltage and inner ground terminal
Clamping range: 0.5 to 2.5 mm^2 (20 to 14 AWG)
- External ground terminal
Clamping range: 0.5 to 4 mm^2 (20 to 12 AWG)

Cable entries



A0046584

- A Single compartment housing, plastic
- B Single compartment housing, aluminum, coated
- C Single compartment housing, 316L, hygiene
- D Dual compartment housing, aluminum, coated
- E Dual compartment housing, L-shaped, aluminum, coated
- 1 Cable entry
- 2 Dummy plug

The number and type of cable entries depend on the device version ordered.

i Always route connecting cables downwards so that moisture cannot penetrate the connection compartment.

If necessary, create a drip loop or use a weather protection cover.

Cable specification

Rated cross-section

- Supply voltage: 0.5 to 2.5 mm² (20 to 13 AWG)
- Protective earth or grounding of the cable shield: > 1 mm² (17 AWG)
- External ground terminal: 0.5 to 4 mm² (20 to 12 AWG)

Cable outer diameter

The cable outer diameter depends on the cable gland used

- Plastic gland: Ø5 to 10 mm (0.2 to 0.38 in)
- Nickel-plated brass gland: Ø7 to 10.5 mm (0.28 to 0.41 in)
- Stainless steel gland: Ø7 to 12 mm (0.28 to 0.47 in)

Overvoltage protection

The overvoltage protection can optionally be ordered as a "Mounted accessory" via the product structure.

Devices without optional overvoltage protection

The devices satisfy the IEC/DIN EN IEC 61326-1 product standard (Table 2 Industrial environment).

Depending on the type of port (DC power supply, input/output port) different testing levels according to IEC/DIN EN 61326-1 against transient overvoltages are applied (IEC/DIN EN 61000-4-5 Surge): Test level on DC power ports and input/output ports is 1 000 V line to earth

Devices with optional overvoltage protection

- Spark-over voltage: min. 400 V_{DC}
- Tested according to IEC/DIN EN 60079-14 sub chapter 12.3 (IEC/DIN EN 60060-1 chapter 7)
- Nominal discharge current: 10 kA

NOTICE

The device can be destroyed by excessively high electrical voltages.

- ▶ Always ground the device with integrated overvoltage protection.

Overvoltage category

Overvoltage category II

Performance characteristics

Reference operating conditions

- Temperature = +24 °C (+75 °F) ±5 °C (±9 °F)
- Pressure = 960 mbar abs. (14 psia) ±100 mbar (±1.45 psi)
- Humidity = 60 % ±15 %
- Reflector: metal plate with diameter ≥ 1 m (40 in)
- No major interference reflections inside the signal beam

Measured value resolution

- Dead band according to DIN EN IEC 61298-2 / DIN EN IEC 60770-1:
- Digital: 1 mm
 - Analog: 1 μA

Maximum measured error

Reference accuracy

The devices are optimized for bulk solid applications on delivery. Additional reference condition for the accuracy specifications for solids devices is **Bin type= Workbench test**.

Accuracy

The accuracy is the sum of the non-linearity, non-repeatability and hysteresis.

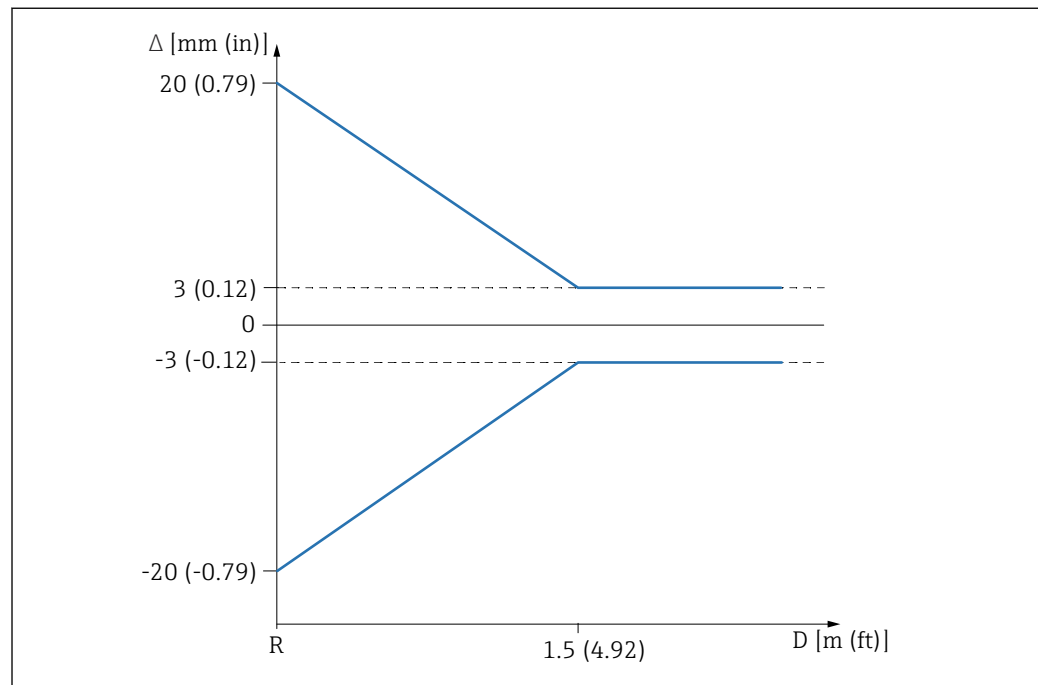
- Measuring distance up to 1.5 m (4.92 ft): max. ±20 mm (±0.79 in)
- Measuring distance > 1.5 m (4.92 ft): ±3 mm (±0.12 in)

Non-repeatability

Non-repeatability is already included in the accuracy.
 ≤ 1 mm (0.04 in)

i If conditions deviate from the reference operating conditions, the offset/zero point that results from the installation conditions can be up to ±4 mm (±0.16 in). This additional offset/zero point can be eliminated by entering a correction (**Level correction** parameter) during commissioning.

Differing values in near-range applications



16 Maximum measured error in near-range applications

- Δ Maximum measured error
- R Reference point of the distance measurement
- D Distance from reference point of antenna

Response time

According to DIN EN IEC 61298-2 / DIN EN IEC 60770-1, the step response time is the time following an abrupt change in the input signal up until the changed output signal has adopted 90 % of the steady-state value for the first time.

The response time for the 4 to 20 mA HART output can be configured.

The following step response times apply (in accordance with DIN EN IEC 61298-2/DIN EN IEC 60770-1) when damping is switched off:

- Pulse frequency $\geq 5/s$ (cycle time ≤ 200 ms)
at $U=10.5$ to 35 V, $I=4$ to 20 mA and $T_{amb}=-50$ to $+80$ °C (-58 to $+176$ °F)
- Step response time < 1 s

Influence of ambient temperature

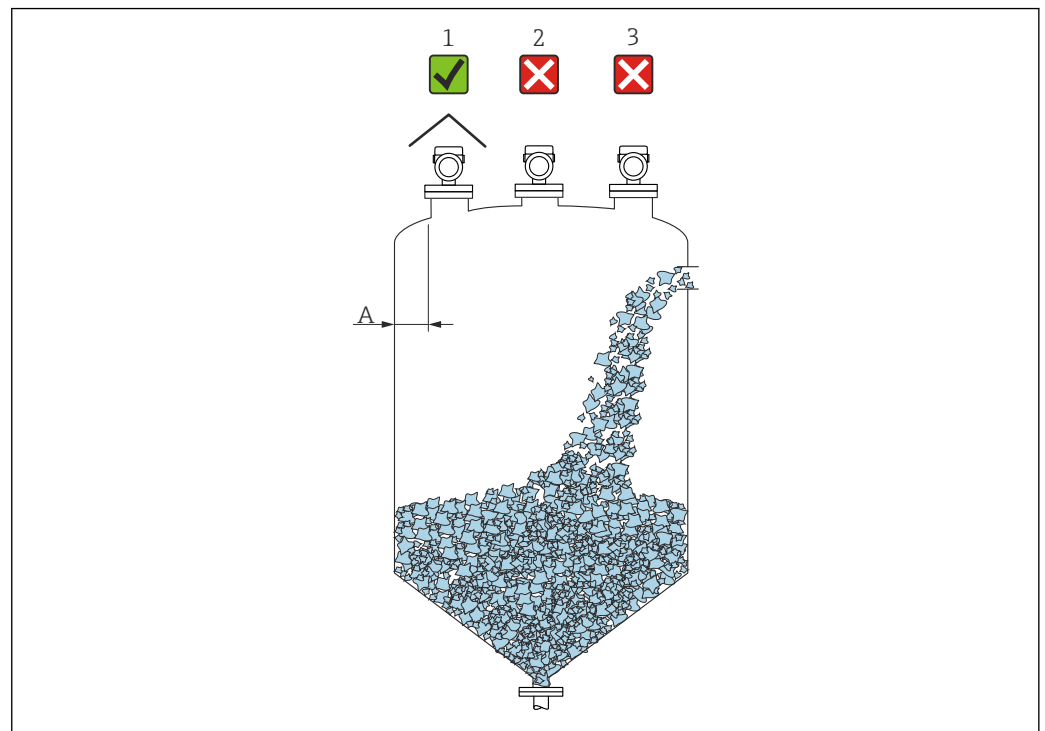
i The 4 to 20 mA HART output changes due to the effect of the ambient temperature with respect to the reference temperature.

The measurements are performed according to DIN EN IEC 61298-3 / DIN EN IEC 60770-1

- **Digital output (HART)**
Average $T_C = 3$ mm/10 K
- **Analog (current output 1)**
 - Zero point (4 mA): average $T_C = 0.02$ %/10 K
 - Span (20 mA): average $T_C = 0.05$ %/10 K
- **Analog (current output 2); (optional)**
 - Zero point (4 mA): average $T_C = 0.08$ %/10 K
 - Span (20 mA): average $T_C = 0.08$ %/10 K

Installation

Mounting location

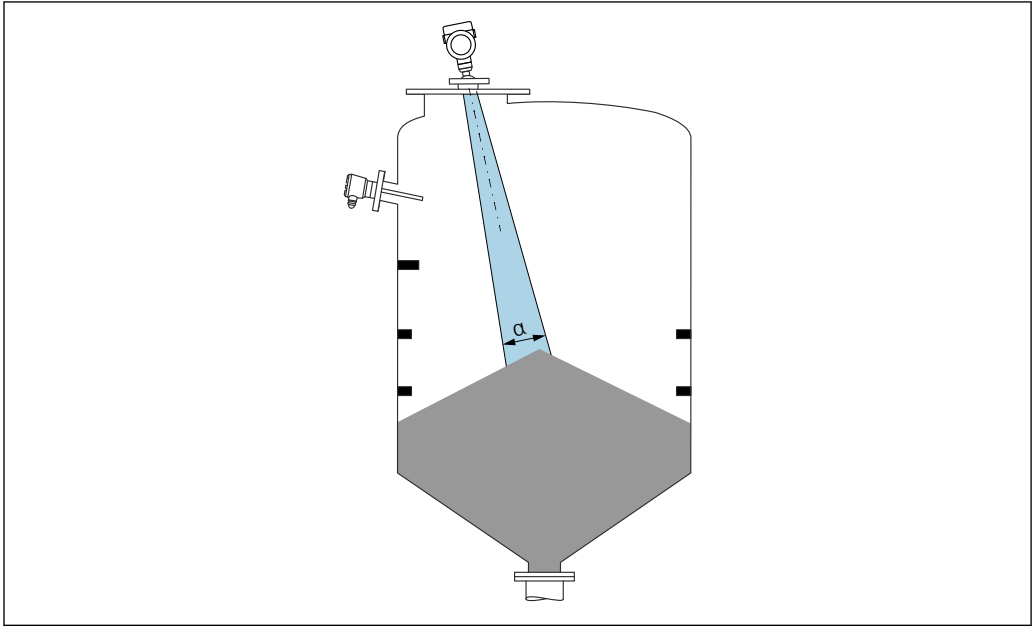


- A Recommended distance from wall to nozzle outer edge $\sim 1/6$ of the vessel diameter. However, the device must not under any circumstances be mounted closer than 20 cm (7.87 in) to the vessel wall.
- 1 Use of a weather protection cover; protection from direct sunlight or rain
 - 2 Installation in the center, interference can cause signal loss
 - 3 Do not install above the filling curtain

i In applications with strong dust emissions, the integrated purge air connection can prevent the antenna from becoming clogged.

Orientation

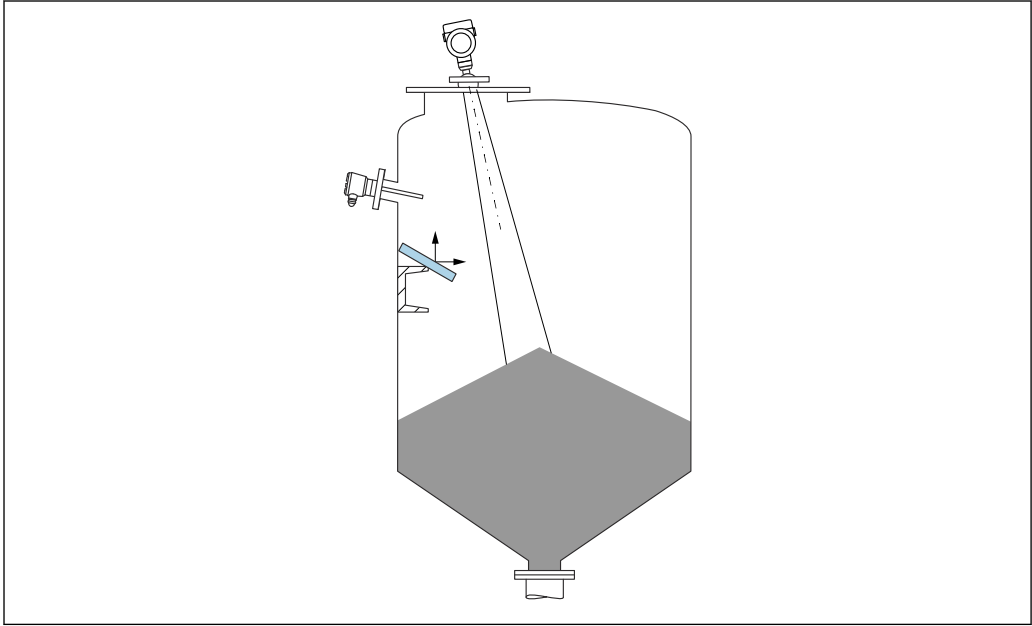
Internal vessel fittings



A0031814

Avoid internal fittings (level switches, temperature sensors, struts, vacuum rings, heating coils, baffles etc.) inside the signal beam. Pay attention to the beam angle α .

Avoiding interference echoes



A0031817

Metal deflector plates, installed at an angle to scatter the radar signals, help prevent interference echoes.

Vertical alignment of antenna axis

Align the antenna so that it is perpendicular to the product surface.

i The maximum reach of the antenna can be reduced, or additional interference signals can occur, if the antenna is not installed perpendicular to the product.

Radial alignment of the antenna

Based on the directional characteristic, radial alignment of the antenna is not necessary.

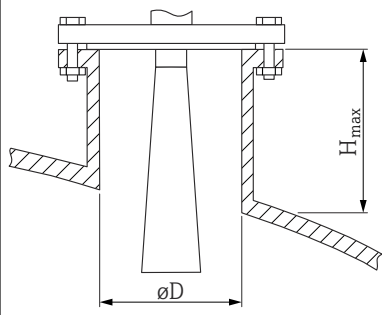
Installation instructions

Horn antenna 65 mm (2.56 in)

Information about the mounting nozzle

The maximum nozzle length H_{max} depends on the nozzle diameter D .

Maximum nozzle length H_{max} as a function of the nozzle diameter D

	ϕD	H_{max}
	80 to 100 mm (3.2 to 4 in)	1700 mm (67 in)
	100 to 150 mm (4 to 6 in)	2100 mm (83 in)
	≥ 150 mm (6 in)	3200 mm (126 in)

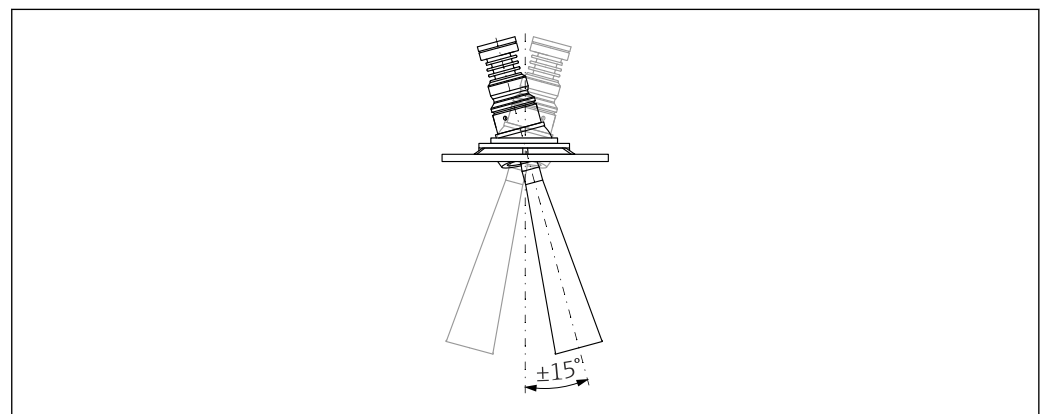
i In the case of longer nozzles, reduced measuring performance must be expected.

Please note the following:

- The end of the nozzle must be smooth and free from burrs.
- The edge of the nozzle should be rounded.
- Mapping must be performed.
- Please contact the manufacturer's support department for applications with nozzles that are higher than indicated in the table.

Horn antenna 65 mm (2.56 in) with alignment unit

UNI flanges with an integrated alignment unit are available for the horn antenna 65 mm (2.56 in). An angle of inclination of up to 15° in all directions can be set for the antenna axis using the alignment unit. The alignment unit is used to optimally align the measuring signal to the bulk solids.



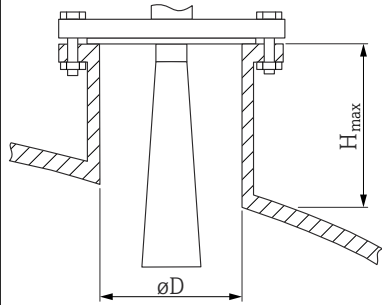
A0046891

17 Horn antenna with alignment unit

Information about the mounting nozzle

The maximum nozzle length H_{max} depends on the nozzle diameter D .

The maximum nozzle length H_{max} depends on the nozzle diameter D

	ϕD	H_{max}
	80 to 100 mm (3.2 to 4 in)	1 700 mm (67 in)
	100 to 150 mm (4 to 6 in)	2 100 mm (83 in)
	≥ 150 mm (6 in)	3 200 mm (126 in)

i In the case of longer nozzles, reduced measuring performance must be expected.

Please note the following:

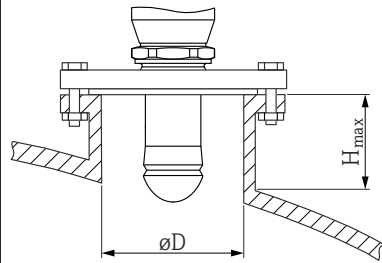
- The end of the nozzle must be smooth and free from burrs.
- The edge of the nozzle should be rounded.
- Mapping must be performed.
- Please contact the manufacturer's support department for applications with nozzles that are higher than indicated in the table.

PTFE drip-off antenna 50 mm (2 in)

Information about the mounting nozzle

The maximum nozzle length H_{max} depends on the nozzle diameter D .

The maximum length of the nozzle H_{max} depends on the nozzle diameter D

	ϕD	H_{max}
	50 to 80 mm (2 to 3.2 in)	750 mm (30 in)
	80 to 100 mm (3.2 to 4 in)	1 150 mm (46 in)
	100 to 150 mm (4 to 6 in)	1 450 mm (58 in)
	≥ 150 mm (6 in)	2 200 mm (88 in)

i In the case of longer nozzles, reduced measuring performance must be expected.

Please note the following:

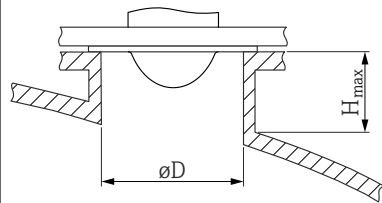
- The end of the nozzle must be smooth and free from burrs.
- The edge of the nozzle should be rounded.
- Mapping must be performed.
- Please contact the manufacturer's support department for applications with nozzles that are higher than indicated in the table.

Antenna, flush mount 80 mm (3 in)

Information about the mounting nozzle

The maximum nozzle length H_{max} depends on the nozzle diameter D .

Antenna nozzle mounting, flush mount 80 mm (3 in)

	$\varnothing D$	H_{max}
	80 to 100 mm (3.2 to 4 in)	1750 mm (70 in)
	100 to 150 mm (4 to 6 in)	2200 mm (88 in)
	≥ 150 mm (6 in)	3300 mm (132 in)

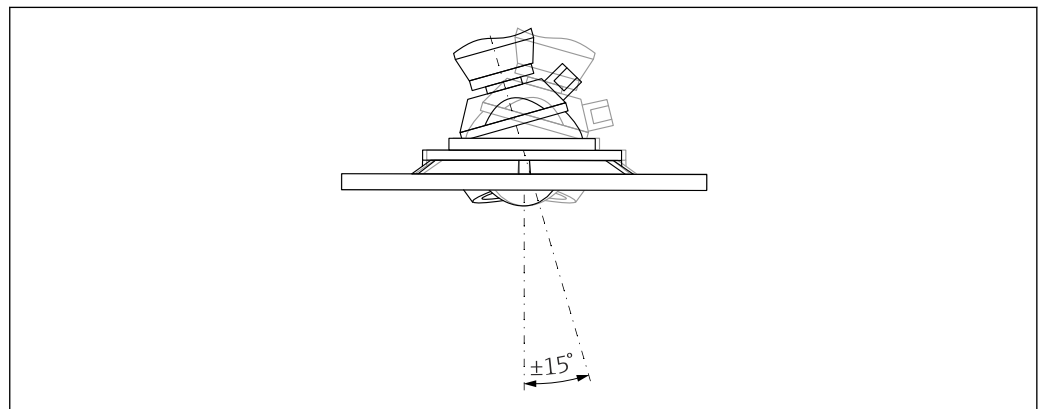
 In the case of longer nozzles, reduced measuring performance must be expected.


Please note the following:

- The end of the nozzle must be smooth and free from burrs.
- The edge of the nozzle should be rounded.
- Mapping must be performed.
- Please contact the manufacturer's support department for applications with nozzles that are higher than indicated in the table.

Antenna flush mount 80 mm (3 in) with alignment unit

UNI flanges with an integrated alignment unit are available for the antenna flush mount 80 mm (3 in). An inclination of the antenna axis of up to 15° in all directions can be set with the help of the alignment unit. The alignment unit is used to optimally align the measuring signal to the bulk solids.



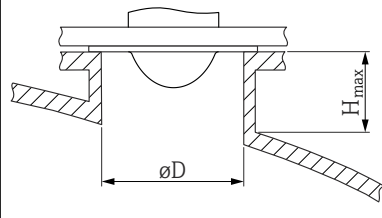
 18 Antenna flush mount with alignment unit

A0046592

Information about the mounting nozzle

The maximum nozzle length H_{max} depends on the nozzle diameter D .

The maximum length of the nozzle H_{max} depends on the nozzle diameter D

	ϕD	H_{max}
	min. 80 to 100 mm (3 to 4 in)	1 450 mm (57 in)
	100 to 150 mm (4 to 6 in)	1 800 mm (71 in)
	≥ 150 mm (6 in)	2 700 mm (106 in)

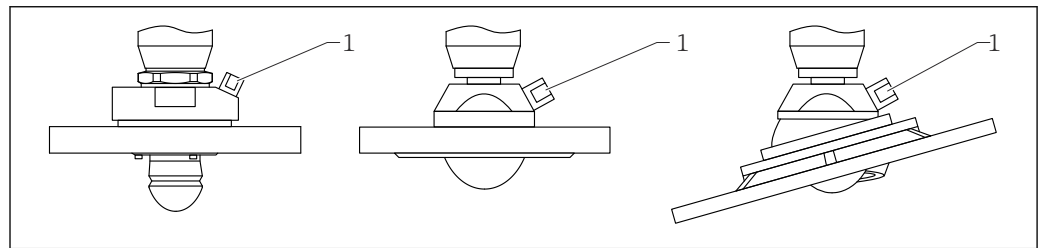
i In the case of longer nozzles, reduced measuring performance must be expected.

Please note the following:

- The end of the nozzle must be smooth and free from burrs.
- The edge of the nozzle should be rounded.
- Mapping must be performed.
- Please contact the manufacturer's support department for applications with nozzles that are higher than indicated in the table.

Purge air connection

In applications with strong dust emissions, the integrated purge air connection can prevent the antenna from becoming clogged. Pulse operation is recommended.



A0046593

19 Antenna with purge air adapter

1 Purge air connection NPT 1/4" or G 1/4"

Purge air pressure range

- **Pulse operation :**
Max. 6 bar (87 psi)
- **Continuous operation:**
200 to 500 mbar (3 to 7.25 psi)

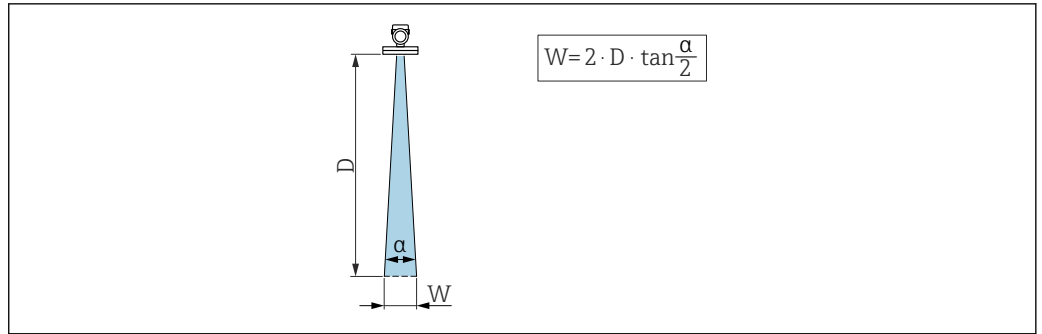
Purge air connection

- Tool:
 - Open-ended wrench 13 mm (G 1/4")
 - Open-ended wrench 14 mm (NPT)
 - Open-ended wrench 17 mm (NPT "adapter")
- Min. torque: 6 Nm (4.4 lbf ft)
- Max. torque: 7 Nm

- i**
 - Always use dry purge air
 - In general, purging should only be performed to the extent necessary as excess purging can cause mechanical damage (abrasion)

Beam angle

The beam angle is defined as the angle α where the energy density of the radar waves reaches half the value of the maximum energy density (3 dB width). Microwaves are also emitted outside the signal beam and can be reflected off interfering installations.



A0031824

20 Relationship between beam angle α , distance D and beamwidth diameter W

i The beamwidth diameter W depends on the beam angle α and the distance D .

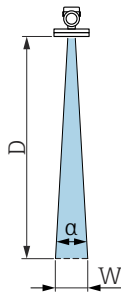
Horn antenna 65 mm (2.56 in), α 4°

$W = D \times 0.07$	D	W
	5 m (16 ft)	0.35 m (1.15 ft)
	10 m (33 ft)	0.70 m (2.30 ft)
	15 m (49 ft)	1.05 m (3.45 ft)
	20 m (66 ft)	1.40 m (4.59 ft)
	25 m (82 ft)	1.75 m (5.74 ft)
	30 m (98 ft)	2.10 m (6.89 ft)
	35 m (115 ft)	2.45 m (8.04 ft)
	40 m (131 ft)	2.80 m (9.19 ft)
	45 m (148 ft)	3.15 m (10.33 ft)
	50 m (164 ft)	3.50 m (11.48 ft)
	80 m (262 ft)	5.60 m (18.37 ft)
	100 m (328 ft)	7.00 m (23.00 ft)
	125 m (410 ft)	8.75 m (28.71 ft)

Drip-off antenna, PTFE 50 mm (2 in), α 6°

$W = D \times 0.10$	D	W
	5 m (16 ft)	0.52 m (1.70 ft)
	10 m (33 ft)	1.04 m (3.41 ft)
	15 m (49 ft)	1.56 m (5.12 ft)
	20 m (66 ft)	2.08 m (6.82 ft)
	25 m (82 ft)	2.60 m (8.53 ft)
	30 m (98 ft)	3.12 m (10.24 ft)
	35 m (115 ft)	3.64 m (11.94 ft)
	40 m (131 ft)	4.16 m (13.65 ft)
	45 m (148 ft)	4.68 m (15.35 ft)
	50 m (164 ft)	5.20 m (17.06 ft)

PTFE antenna, flush mount 80 mm (3 in), α 3°

$W = D \times 0.05$	D	W
	5 m (16 ft)	0.25 m (0.82 ft)
	10 m (33 ft)	0.50 m (1.64 ft)
	15 m (49 ft)	0.75 m (2.46 ft)
	20 m (66 ft)	1.00 m (3.28 ft)
	25 m (82 ft)	1.25 m (4.10 ft)
	30 m (98 ft)	1.50 m (4.92 ft)
	35 m (115 ft)	1.75 m (5.74 ft)
	40 m (131 ft)	2.00 m (6.56 ft)
	45 m (148 ft)	2.25 m (7.38 ft)
	50 m (164 ft)	2.50 m (8.20 ft)
	60 m (197 ft)	3.00 m (9.84 ft)
	70 m (230 ft)	3.50 m (11.48 ft)
	80 m (262 ft)	4.00 m (13.12 ft)
	100 m (328 ft)	5.00 m (16.40 ft)
	125 m (410 ft)	6.25 m (20.51 ft)

Special mounting instructions

External measurement through plastic cover or dielectric windows

- Dielectric constant of medium: $\epsilon_r \geq 10$
- The distance from the tip of the antenna to the tank should be approx. 100 mm (4 in).
- Avoid installation positions where condensate or buildup can form between the antenna and the vessel
- In the case of outdoor installations, ensure that the area between the antenna and the tank is protected from the weather
- Do not install any fittings or attachments between the antenna and the tank that could reflect the signal

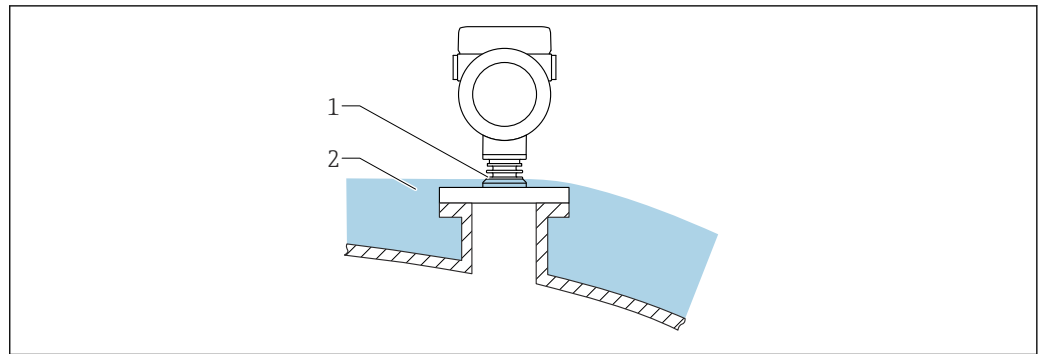
The thickness of the tank ceiling or the dielectric window depends on the ϵ_r of the material.

The material thickness can be a full multiple of the optimum thickness (table); it is important to note, however, that the microwave transparency decreases significantly with increasing material thickness.

Optimum material thickness

Material	Optimum material thickness
PE; ϵ_r 2.3	1.25 mm (0.049 in)
PTFE; ϵ_r 2.1	1.30 mm (0.051 in)
PP; ϵ_r 2.3	1.25 mm (0.049 in)
Perspex; ϵ_r 3.1	1.10 mm (0.043 in)

Container with heat insulation



A0046566

If process temperatures are high, the device should be included in the usual container insulation system (2) to prevent the electronics from heating as a result of thermal radiation or convection. The rib structure (1) must not be insulated.

Environment

Ambient temperature range

The following values apply up to a process temperature of +85 °C (+185 °F). At higher process temperatures, the permitted ambient temperature is reduced.

- Without LCD display:
 - Standard: -40 to +85 °C (-40 to +185 °F)
 - Optionally available: -50 to +85 °C (-58 to +185 °F) with restricted operating life and performance
 - Optionally available: -60 to +85 °C (-76 to +185 °F) with restricted operating life and performance; below -50 °C (-58 °F): devices can be damaged permanently
- With LCD display: -40 to +85 °C (-40 to +185 °F) with limitations in optical properties such as display speed and contrast for example. Can be used without limitations up to -20 to +60 °C (-4 to +140 °F)

Restriction of the ambient temperature

In the case of devices with current output 2 or switching output, the permitted ambient temperature limit is reduced by 5 K due to the higher operating temperature of the electronics.

- i** If operating outdoors in strong sunlight:
 - Mount the device in the shade.
 - Avoid direct sunlight, particularly in warm climatic regions.
 - Use a weather protection cover (see accessories).

Ambient temperature limits

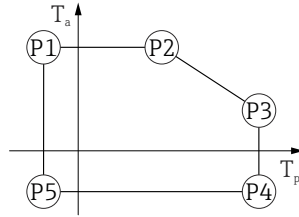
The permitted ambient temperature (T_a) depends on the selected housing material (Product Configurator → Housing; Material →) and the selected process temperature range (Product Configurator → Application →).

In the event of temperature (T_p) at the process connection, the permitted ambient temperature (T_a) is reduced.

- i** The following information only takes functional aspects into consideration. Additional restrictions may apply for certified device versions.

Plastic housing

Plastic housing; process temperature -40 to $+80$ °C (-40 to $+176$ °F)



A0032024

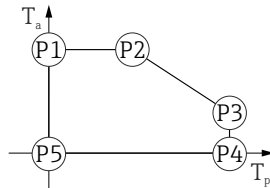
▣ 21 Plastic housing; process temperature -40 to $+80$ °C (-40 to $+176$ °F)

- P1 = T_p : -40 °C (-40 °F) | T_a : $+76$ °C ($+169$ °F)
- P2 = T_p : $+80$ °C ($+176$ °F) | T_a : $+76$ °C ($+169$ °F)
- P3 = T_p : $+80$ °C ($+176$ °F) | T_a : $+75$ °C ($+167$ °F)
- P4 = T_p : $+80$ °C ($+176$ °F) | T_a : -40 °C (-40 °F)
- P5 = T_p : -40 °C (-40 °F) | T_a : -40 °C (-40 °F)

i In the case of devices with a plastic housing and CSA C/US approval, the selected process temperature of

-40 to $+80$ °C (-40 to $+176$ °F) is limited to 0 to $+80$ °C ($+32$ to $+176$ °F).

Restriction to a process temperature of 0 to $+80$ °C ($+32$ to $+176$ °F) with CSA C/US approval and plastic housing

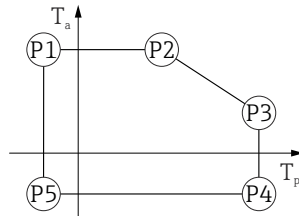


A0048826

▣ 22 Plastic housing; process temperature 0 to $+80$ °C ($+32$ to $+176$ °F) with CSA C/US approval

- P1 = T_p : 0 °C ($+32$ °F) | T_a : $+76$ °C ($+169$ °F)
- P2 = T_p : $+80$ °C ($+176$ °F) | T_a : $+76$ °C ($+169$ °F)
- P3 = T_p : $+80$ °C ($+176$ °F) | T_a : $+75$ °C ($+167$ °F)
- P4 = T_p : $+80$ °C ($+176$ °F) | T_a : 0 °C ($+32$ °F)
- P5 = T_p : 0 °C ($+32$ °F) | T_a : 0 °C ($+32$ °F)

Plastic housing; process temperature -40 to $+150$ °C (-40 to $+302$ °F)



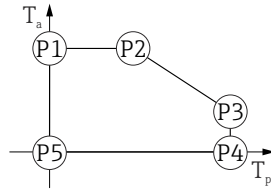
A0032024

▣ 23 Plastic housing; process temperature -40 to $+150$ °C (-40 to $+302$ °F)

- P1 = T_p : -40 °C (-40 °F) | T_a : $+76$ °C ($+169$ °F)
- P2 = T_p : $+150$ °C ($+302$ °F) | T_a : $+76$ °C ($+169$ °F)
- P3 = T_p : $+150$ °C ($+302$ °F) | T_a : $+25$ °C ($+77$ °F)
- P4 = T_p : $+150$ °C ($+302$ °F) | T_a : -40 °C (-40 °F)
- P5 = T_p : -40 °C (-40 °F) | T_a : -40 °C (-40 °F)

i In the case of devices with a plastic housing and CSA C/US approval, the selected process temperature of -40 to $+150$ °C (-40 to $+302$ °F) is limited to 0 to $+150$ °C ($+32$ to $+302$ °F).

Restriction to a process temperature of 0 to +150 °C (+32 to +302 °F) with CSA C/US approval and plastic housing

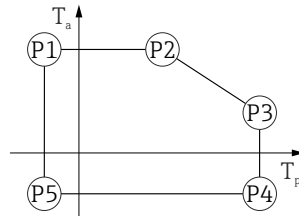


A0048826

24 Plastic housing; process temperature 0 to +150 °C (+32 to +302 °F) with CSA C/US approval

- P1 = $T_p: 0\text{ °C (+32 °F)}$ | $T_a: +76\text{ °C (+169 °F)}$
- P2 = $T_p: +76\text{ °C (+169 °F)}$ | $T_a: +76\text{ °C (+169 °F)}$
- P3 = $T_p: +150\text{ °C (+302 °F)}$ | $T_a: +25\text{ °C (+77 °F)}$
- P4 = $T_p: +150\text{ °C (+302 °F)}$ | $T_a: 0\text{ °C (+32 °F)}$
- P5 = $T_p: 0\text{ °C (+32 °F)}$ | $T_a: 0\text{ °C (+32 °F)}$

Plastic housing; process temperature -40 to +200 °C (-40 to +392 °F)



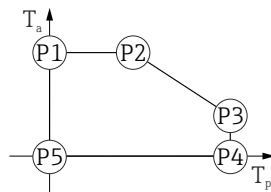
A0032024

25 Plastic housing; process temperature -40 to +200 °C (-40 to +392 °F)

- P1 = $T_p: -40\text{ °C (-40 °F)}$ | $T_a: +76\text{ °C (+169 °F)}$
- P2 = $T_p: +76\text{ °C (+169 °F)}$ | $T_a: +76\text{ °C (+169 °F)}$
- P3 = $T_p: +200\text{ °C (+392 °F)}$ | $T_a: +27\text{ °C (+81 °F)}$
- P4 = $T_p: +200\text{ °C (+392 °F)}$ | $T_a: -40\text{ °C (-40 °F)}$
- P5 = $T_p: -40\text{ °C (-40 °F)}$ | $T_a: -40\text{ °C (-40 °F)}$

i In the case of devices with a plastic housing and CSA C/US approval, the selected process temperature of -40 to +200 °C (-40 to +392 °F) is limited to 0 to +200 °C (+32 to +392 °F).

Restriction to a process temperature of 0 to +200 °C (+32 to +392 °F) with CSA C/US approval and plastic housing

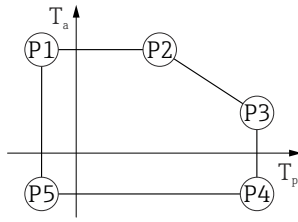


A0048826

26 Plastic housing; process temperature 0 to +200 °C (+32 to +392 °F) with CSA C/US approval

- P1 = $T_p: 0\text{ °C (+32 °F)}$ | $T_a: +76\text{ °C (+169 °F)}$
- P2 = $T_p: +76\text{ °C (+169 °F)}$ | $T_a: +76\text{ °C (+169 °F)}$
- P3 = $T_p: +200\text{ °C (+392 °F)}$ | $T_a: +27\text{ °C (+81 °F)}$
- P4 = $T_p: +200\text{ °C (+392 °F)}$ | $T_a: 0\text{ °C (+32 °F)}$
- P5 = $T_p: 0\text{ °C (+32 °F)}$ | $T_a: 0\text{ °C (+32 °F)}$

Plastic housing; process temperature -40 to $+280$ °C (-40 to $+536$ °F)



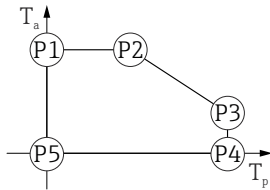
A0032024

▣ 27 Plastic housing; process temperature -40 to $+280$ °C (-40 to $+536$ °F)

- P1 = T_p : -40 °C (-40 °F) | T_a : $+76$ °C ($+169$ °F)
- P2 = T_p : $+76$ °C ($+169$ °F) | T_a : $+76$ °C ($+169$ °F)
- P3 = T_p : $+280$ °C ($+536$ °F) | T_a : $+48$ °C ($+118$ °F)
- P4 = T_p : $+280$ °C ($+536$ °F) | T_a : -40 °C (-40 °F)
- P5 = T_p : -40 °C (-40 °F) | T_a : -40 °C (-40 °F)

i In the case of devices with a plastic housing and CSA C/US approval, the selected process temperature of -40 to $+280$ °C (-40 to $+536$ °F) is limited to 0 to $+280$ °C ($+32$ to $+536$ °F).

Restriction to a process temperature of 0 to $+280$ °C ($+32$ to $+536$ °F) with CSA C/US approval and plastic housing

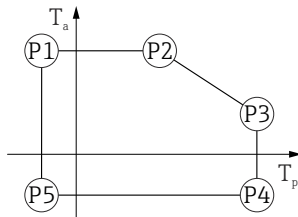


A0048626

▣ 28 Plastic housing; process temperature 0 to $+280$ °C ($+32$ to $+536$ °F) with CSA C/US approval

- P1 = T_p : 0 °C ($+32$ °F) | T_a : $+76$ °C ($+169$ °F)
- P2 = T_p : $+76$ °C ($+169$ °F) | T_a : $+76$ °C ($+169$ °F)
- P3 = T_p : $+280$ °C ($+536$ °F) | T_a : $+48$ °C ($+118$ °F)
- P4 = T_p : $+280$ °C ($+536$ °F) | T_a : 0 °C ($+32$ °F)
- P5 = T_p : 0 °C ($+32$ °F) | T_a : 0 °C ($+32$ °F)

Plastic housing; process temperature -40 to $+450$ °C (-40 to $+842$ °F)



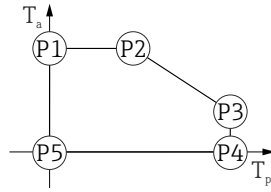
A0032024

▣ 29 Plastic housing; process temperature -40 to $+450$ °C (-40 to $+842$ °F)

- P1 = T_p : -40 °C (-40 °F) | T_a : $+76$ °C ($+169$ °F)
- P2 = T_p : $+76$ °C ($+169$ °F) | T_a : $+76$ °C ($+169$ °F)
- P3 = T_p : $+450$ °C ($+842$ °F) | T_a : $+20$ °C ($+68$ °F)
- P4 = T_p : $+450$ °C ($+842$ °F) | T_a : -40 °C (-40 °F)
- P5 = T_p : -40 °C (-40 °F) | T_a : -40 °C (-40 °F)

i In the case of devices with a plastic housing and CSA C/US approval, the selected process temperature of -40 to $+450$ °C (-40 to $+842$ °F) is limited to 0 to $+450$ °C ($+32$ to $+842$ °F).

Restriction to a process temperature of 0 to +450 °C (+32 to +842 °F) with CSA C/US approval and plastic housing



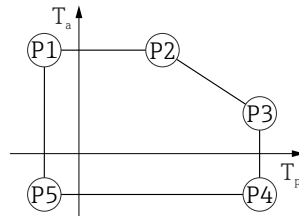
A0048826

▣ 30 Plastic housing; process temperature 0 to +450 °C (+32 to +842 °F) with CSA C/US approval

- P1 = T_p : 0 °C (+32 °F) | T_a : +76 °C (+169 °F)
- P2 = T_p : +76 °C (+169 °F) | T_a : +76 °C (+169 °F)
- P3 = T_p : +450 °C (+842 °F) | T_a : +20 °C (+68 °F)
- P4 = T_p : +450 °C (+842 °F) | T_a : 0 °C (+32 °F)
- P5 = T_p : 0 °C (+32 °F) | T_a : 0 °C (+32 °F)

Aluminum housing, coated

Aluminum housing; process temperature -40 to +80 °C (-40 to +176 °F)

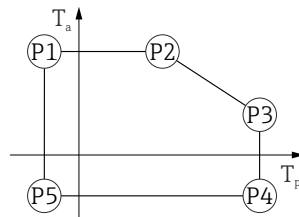


A0032024

▣ 31 Aluminum housing, coated; process temperature -40 to +80 °C (-40 to +176 °F)

- P1 = T_p : -40 °C (-40 °F) | T_a : +79 °C (+174 °F)
- P2 = T_p : +79 °C (+174 °F) | T_a : +79 °C (+174 °F)
- P3 = T_p : +80 °C (+176 °F) | T_a : +79 °C (+174 °F)
- P4 = T_p : +80 °C (+176 °F) | T_a : -40 °C (-40 °F)
- P5 = T_p : -40 °C (-40 °F) | T_a : -40 °C (-40 °F)

Aluminum housing; process temperature -40 to +150 °C (-40 to +302 °F)

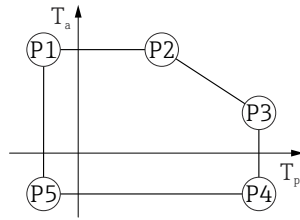


A0032024

▣ 32 Aluminum housing, coated; process temperature -40 to +150 °C (-40 to +302 °F)

- P1 = T_p : -40 °C (-40 °F) | T_a : +79 °C (+174 °F)
- P2 = T_p : +79 °C (+174 °F) | T_a : +79 °C (+174 °F)
- P3 = T_p : +150 °C (+302 °F) | T_a : +53 °C (+127 °F)
- P4 = T_p : +150 °C (+302 °F) | T_a : -40 °C (-40 °F)
- P5 = T_p : -40 °C (-40 °F) | T_a : -40 °C (-40 °F)

Aluminum housing; process temperature -40 to $+200$ °C (-40 to $+392$ °F)

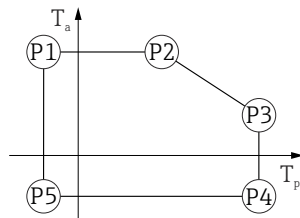


A0032024

▣ 33 Aluminum housing, coated; process temperature -40 to $+200$ °C (-40 to $+392$ °F)

- P1 = T_p : -40 °C (-40 °F) | T_a : $+79$ °C ($+174$ °F)
- P2 = T_p : $+79$ °C ($+174$ °F) | T_a : $+79$ °C ($+174$ °F)
- P3 = T_p : $+200$ °C ($+392$ °F) | T_a : $+47$ °C ($+117$ °F)
- P4 = T_p : $+200$ °C ($+392$ °F) | T_a : -40 °C (-40 °F)
- P5 = T_p : -40 °C (-40 °F) | T_a : -40 °C (-40 °F)

Aluminum housing; process temperature -40 to $+280$ °C (-40 to $+536$ °F)

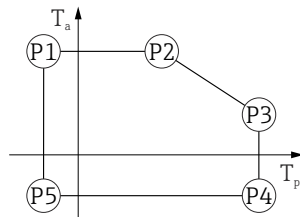


A0032024

▣ 34 Aluminum housing, coated; process temperature -40 to $+280$ °C (-40 to $+536$ °F)

- P1 = T_p : -40 °C (-40 °F) | T_a : $+79$ °C ($+174$ °F)
- P2 = T_p : $+79$ °C ($+174$ °F) | T_a : $+79$ °C ($+174$ °F)
- P3 = T_p : $+280$ °C ($+536$ °F) | T_a : $+59$ °C ($+138$ °F)
- P4 = T_p : $+280$ °C ($+536$ °F) | T_a : -40 °C (-40 °F)
- P5 = T_p : -40 °C (-40 °F) | T_a : -40 °C (-40 °F)

Aluminum housing; process temperature -40 to $+450$ °C (-40 to $+842$ °F)



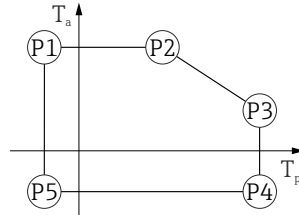
A0032024

▣ 35 Aluminum housing, coated; process temperature -40 to $+450$ °C (-40 to $+842$ °F)

- P1 = T_p : -40 °C (-40 °F) | T_a : $+79$ °C ($+174$ °F)
- P2 = T_p : $+79$ °C ($+174$ °F) | T_a : $+79$ °C ($+174$ °F)
- P3 = T_p : $+450$ °C ($+842$ °F) | T_a : $+39$ °C ($+102$ °F)
- P4 = T_p : $+450$ °C ($+842$ °F) | T_a : -40 °C (-40 °F)
- P5 = T_p : -40 °C (-40 °F) | T_a : -40 °C (-40 °F)

316L housing

316L housing; process temperature -40 to +80 °C (-40 to +176 °F)

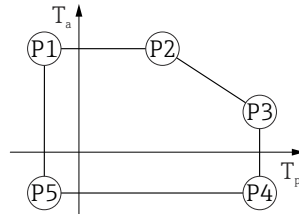


A0032024

36 316L housing; process temperature -40 to +80 °C (-40 to +176 °F)

- P1 = T_p : -40 °C (-40 °F) | T_a : +77 °C (+171 °F)
- P2 = T_p : +77 °C (+171 °F) | T_a : +77 °C (+171 °F)
- P3 = T_p : +80 °C (+176 °F) | T_a : +77 °C (+171 °F)
- P4 = T_p : +80 °C (+176 °F) | T_a : -40 °C (-40 °F)
- P5 = T_p : -40 °C (-40 °F) | T_a : -40 °C (-40 °F)

316L housing; process temperature -40 to +150 °C (-40 to +302 °F)

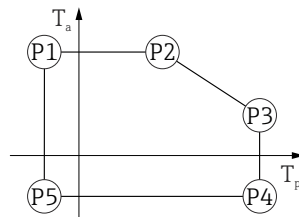


A0032024

37 316L housing; process temperature range: -40 to +150 °C (-40 to +302 °F)

- P1 = T_p : -40 °C (-40 °F) | T_a : +77 °C (+171 °F)
- P2 = T_p : +77 °C (+171 °F) | T_a : +77 °C (+171 °F)
- P3 = T_p : +150 °C (+302 °F) | T_a : +43 °C (+109 °F)
- P4 = T_p : +150 °C (+302 °F) | T_a : -40 °C (-40 °F)
- P5 = T_p : -40 °C (-40 °F) | T_a : -40 °C (-40 °F)

316L housing; process temperature -40 to +200 °C (-40 to +392 °F)

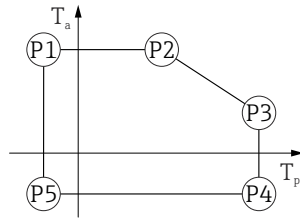


A0032024

38 316L housing; process temperature -40 to +200 °C (-40 to +392 °F)

- P1 = T_p : -40 °C (-40 °F) | T_a : +77 °C (+171 °F)
- P2 = T_p : +77 °C (+171 °F) | T_a : +77 °C (+171 °F)
- P3 = T_p : +200 °C (+392 °F) | T_a : +38 °C (+100 °F)
- P4 = T_p : +200 °C (+392 °F) | T_a : -40 °C (-40 °F)
- P5 = T_p : -40 °C (-40 °F) | T_a : -40 °C (-40 °F)

316L housing; process temperature -40 to $+280$ °C (-40 to $+536$ °F)

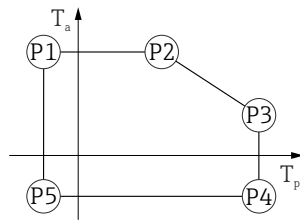


A0032024

▣ 39 316L housing; process temperature -40 to $+280$ °C (-40 to $+536$ °F)

- P1 = T_p : -40 °C (-40 °F) | T_a : $+77$ °C ($+171$ °F)
- P2 = T_p : $+77$ °C ($+171$ °F) | T_a : $+77$ °C ($+171$ °F)
- P3 = T_p : $+280$ °C ($+536$ °F) | T_a : $+54$ °C ($+129$ °F)
- P4 = T_p : $+280$ °C ($+536$ °F) | T_a : -40 °C (-40 °F)
- P5 = T_p : -40 °C (-40 °F) | T_a : -40 °C (-40 °F)

316L housing; process temperature -40 to $+450$ °C (-40 to $+842$ °F)



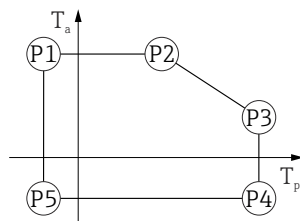
A0032024

▣ 40 316L housing; process temperature -40 to $+450$ °C (-40 to $+842$ °F)

- P1 = T_p : -40 °C (-40 °F) | T_a : $+77$ °C ($+171$ °F)
- P2 = T_p : $+77$ °C ($+171$ °F) | T_a : $+77$ °C ($+171$ °F)
- P3 = T_p : $+450$ °C ($+842$ °F) | T_a : $+31$ °C ($+88$ °F)
- P4 = T_p : $+450$ °C ($+842$ °F) | T_a : -40 °C (-40 °F)
- P5 = T_p : -40 °C (-40 °F) | T_a : -40 °C (-40 °F)

316L housing, hygiene

316L housing, hygiene; process temperature -40 to $+80$ °C (-40 to $+176$ °F)

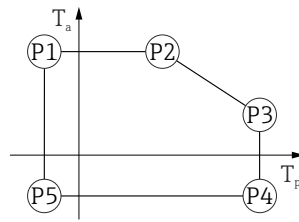


A0032024

▣ 41 316L housing, hygiene; process temperature -40 to $+80$ °C (-40 to $+176$ °F)

- P1 = T_p : -40 °C (-40 °F) | T_a : $+76$ °C ($+169$ °F)
- P2 = T_p : $+76$ °C ($+169$ °F) | T_a : $+76$ °C ($+169$ °F)
- P3 = T_p : $+80$ °C ($+176$ °F) | T_a : $+75$ °C ($+167$ °F)
- P4 = T_p : $+80$ °C ($+176$ °F) | T_a : -40 °C (-40 °F)
- P5 = T_p : -40 °C (-40 °F) | T_a : -40 °C (-40 °F)

316L housing, hygiene; process temperature -40 to $+150$ °C (-40 to $+302$ °F)

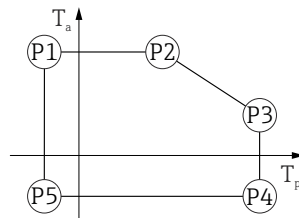


A0032024

42 316L housing, hygiene; process temperature range: -40 to $+150$ °C (-40 to $+302$ °F)

P1 = T_p : -40 °C (-40 °F) | T_a : $+76$ °C ($+169$ °F)
 P2 = T_p : $+76$ °C ($+169$ °F) | T_a : $+76$ °C ($+169$ °F)
 P3 = T_p : $+150$ °C ($+302$ °F) | T_a : $+41$ °C ($+106$ °F)
 P4 = T_p : $+150$ °C ($+302$ °F) | T_a : -40 °C (-40 °F)
 P5 = T_p : -40 °C (-40 °F) | T_a : -40 °C (-40 °F)

316L housing, hygiene; process temperature -40 to $+200$ °C (-40 to $+392$ °F)



A0032024

43 316L housing, hygiene; process temperature -40 to $+200$ °C (-40 to $+392$ °F)

P1 = T_p : -40 °C (-40 °F) | T_a : $+76$ °C ($+169$ °F)
 P2 = T_p : $+76$ °C ($+169$ °F) | T_a : $+76$ °C ($+169$ °F)
 P3 = T_p : $+200$ °C ($+392$ °F) | T_a : $+32$ °C ($+90$ °F)
 P4 = T_p : $+200$ °C ($+392$ °F) | T_a : -40 °C (-40 °F)
 P5 = T_p : -40 °C (-40 °F) | T_a : -40 °C (-40 °F)

Storage temperature ■ Without LCD display: -40 to $+90$ °C (-40 to $+194$ °F)
■ With LCD display: -40 to $+85$ °C (-40 to $+185$ °F)

Climate class DIN EN 60068-2-38 (test Z/AD)

Installation height as per IEC61010-1 Ed.3 ■ Generally up to 2 000 m (6 600 ft) above sea level
■ Over 2 000 m (6 600 ft) under the following conditions:
■ Supply voltage $< 35 V_{DC}$
■ Power supply, overvoltage category 1

Degree of protection Testing according to IEC 60529 and NEMA 250

Housing

IP66/68, NEMA Type 4X/6P

IP68 test condition: 1.83 m under water for 24 hours.

Cable entries

- M20 coupling, plastic, IP66/68 NEMA Type 4X/6P
- M20 coupling, nickel-plated brass, IP66/68 NEMA Type 4X/6P
- M20 coupling, 316L, IP66/68 NEMA Type 4X/6P
- M20 coupling, hygiene, IP66/68/69 NEMA Type 4X/6P
- M20 thread, IP66/68 NEMA Type 4X/6P
- G ½ thread, IP66/68 NEMA Type 4X/6P

If the G ½ thread is selected, the device is provided with an M20 thread as standard and a M20 to G ½ adapter is included, along with the associated documentation

- NPT ½ thread , IP66/68 NEMA Type 4X/6P
- HAN7D plug, 90 degrees, IP65 NEMA Type 4X
- M12 plug
 - When housing is closed and connecting cable is plugged in: IP66/67 NEMA Type 4X
 - When housing is open or connecting cable is not plugged in: IP20, NEMA Type 1

NOTICE**M12 plug and HAN7D plug: incorrect mounting can invalidate the IP protection class!**

- ▶ The degree of protection only applies if the connecting cable used is plugged in and screwed tight.
- ▶ The degree of protection only applies if the connecting cable used is specified according to IP67 NEMA Type 4X.
- ▶ The protection classes are only maintained if the dummy cap is used or the cable is connected.

Vibration resistanceDIN EN 60068-2-64 / IEC 60068-2-64 for 5 to 2 000 Hz: 1.25 (m/s²)²/Hz**Electromagnetic compatibility (EMC)**

- Electromagnetic compatibility as per EN 61326 series and NAMUR recommendation EMC (NE21)
- With regard to the safety function (SIL), the requirements of EN 61326-3-x are satisfied
- Maximum measured error during EMC testing: < 0.5 % of the span.

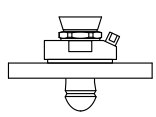
For more details refer to the EU Declaration of Conformity.

Process

Process pressure range**The maximum pressure for the device depends on the lowest-rated component with regard to pressure (components are: process connection, optional mounted parts or accessories).**

- ▶ Only operate the device within the specified limits for the components!
- ▶ MWP (Maximum Working Pressure): The MWP is specified on the nameplate. This value refers to a reference temperature of +20 °C (+68 °F) and may be applied to the device for an unlimited time. Note temperature dependence of MWP. For flanges, refer to the following standards for the permitted pressure values at higher temperatures: EN 1092-1 (with regard to their stability/temperature property, the materials 1.4435 and 1.4404 are grouped together under EN 1092-1; the chemical composition of the two materials can be identical), ASME B16.5, JIS B2220 (the latest version of the standard applies in each case). MWP data that deviate from this are provided in the relevant sections of the Technical Information.
- ▶ The Pressure Equipment Directive (2014/68/EU) uses the abbreviation **PS** . This corresponds to the maximum working pressure (MWP) of the device.

The following tables show the dependencies between the seal material, process temperature (T_p) and process pressure range for each process connection that can be selected for the antenna used.**Drip-off antenna 50 mm (2 in)***Process connection UNI flange*

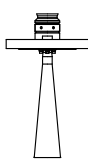
	Seal	T _p	Process pressure range
 A0047827	FKM Viton GLT	-40 to +80 °C (-40 to +176 °F)	-1 to 3 bar (-14.5 to 43.5 psi)




The pressure range may be further restricted in the event of a CRN approval.

Horn antenna 65 mm (2.6 in)

Process connection standard flange

	Seal	T _p	Process pressure range
 <small>A0047836</small>	Graphite	-40 to +280 °C (-40 to +536 °F)	-1 to 160 bar (-14.5 to 2 320.6 psi)
	Graphite	-40 to +450 °C (-40 to +842 °F)	-1 to 160 bar (-14.5 to 2 320.6 psi)

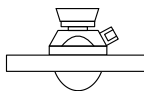
Process connection UNI flange, aluminum adjustable

	Seal	T _p	Process pressure range
 <small>A0048812</small>	Graphite	-40 to +280 °C (-40 to +536 °F)	-1 to 1 bar (-14.5 to 14.5 psi)

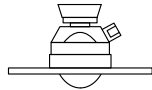
 The pressure range may be further restricted in the event of a CRN approval.

Antenna, flush mount, PTFE, 80 mm (3 in)


Process connection standard flange with purge air connection

	Seal	T _p	Process pressure range
 <small>A0047828</small>	FKM Viton GLT	-40 to +150 °C (-40 to +302 °F)	-1 to 16 bar (-14.5 to 232 psi)
	FKM Viton GLT	-40 to +200 °C (-40 to +392 °F)	-1 to 16 bar (-14.5 to 232 psi)

Process connection UNI flange, 316L with purge air connection

	Seal	T _p	Process pressure range
 <small>A0047829</small>	FKM Viton GLT	-40 to +150 °C (-40 to +302 °F)	p _{gauge} = -1 to 1 bar (-14.5 to 14.5 psi)
	FKM Viton GLT	-40 to +200 °C (-40 to +392 °F)	p _{gauge} = -1 to 1 bar (-14.5 to 14.5 psi)

Process connection UNI flange, aluminum adjustable with purge air connection

	Seal	T _p	Process pressure range
 A0047830	FKM Viton GLT	-40 to +150 °C (-40 to +302 °F)	-1 to 1 bar (-14.5 to 14.5 psi)
	FKM Viton GLT	-40 to +200 °C (-40 to +392 °F)	-1 to 1 bar (-14.5 to 14.5 psi)

i The pressure range may be further restricted in the event of a CRN approval.

Dielectric constant

For bulk solids

$\epsilon_r \geq 1.6$

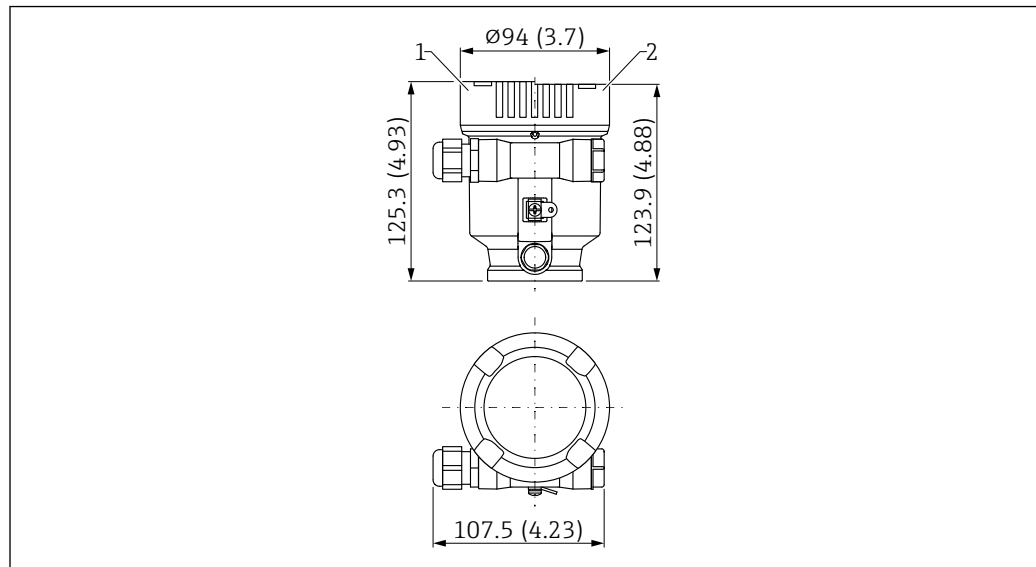
Contact Endress+Hauser for applications with lower dielectric constants than indicated.

Mechanical construction

Dimensions

i The dimensions of the individual components must be added together for the total dimensions.

Single compartment housing, plastic

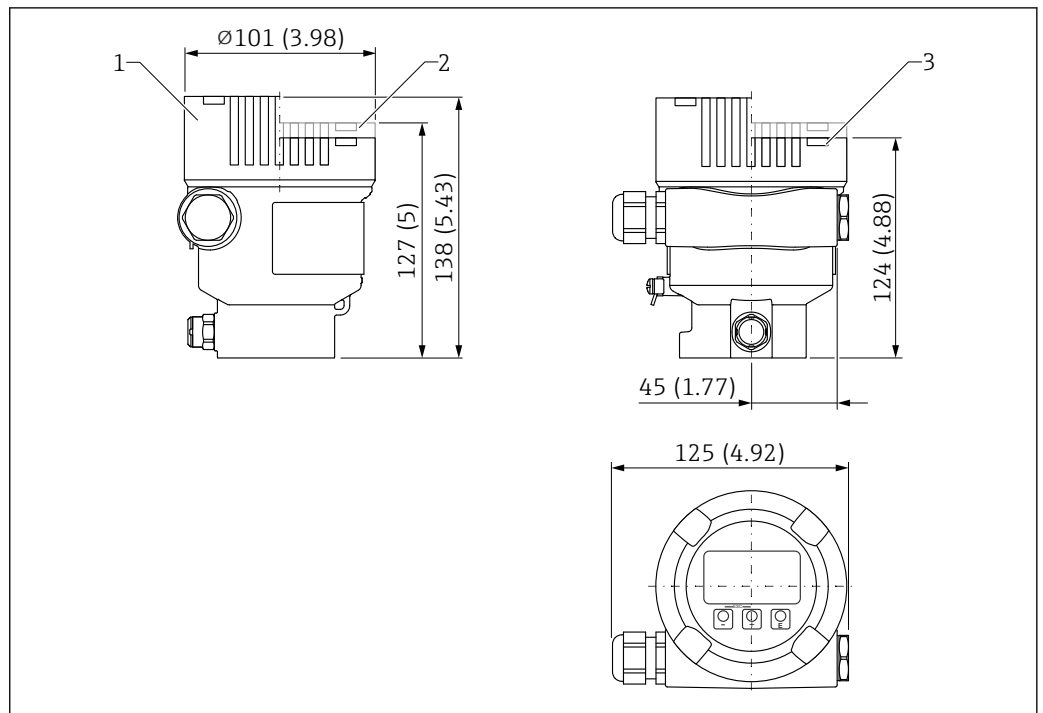


A0048768

44 Dimensions; single compartment housing, plastic; incl. M20 coupling and plug, plastic. Unit of measurement mm (in)

- 1 Height with cover comprising plastic sight glass
- 2 Height with cover without sight glass

Single compartment housing, aluminum, coated

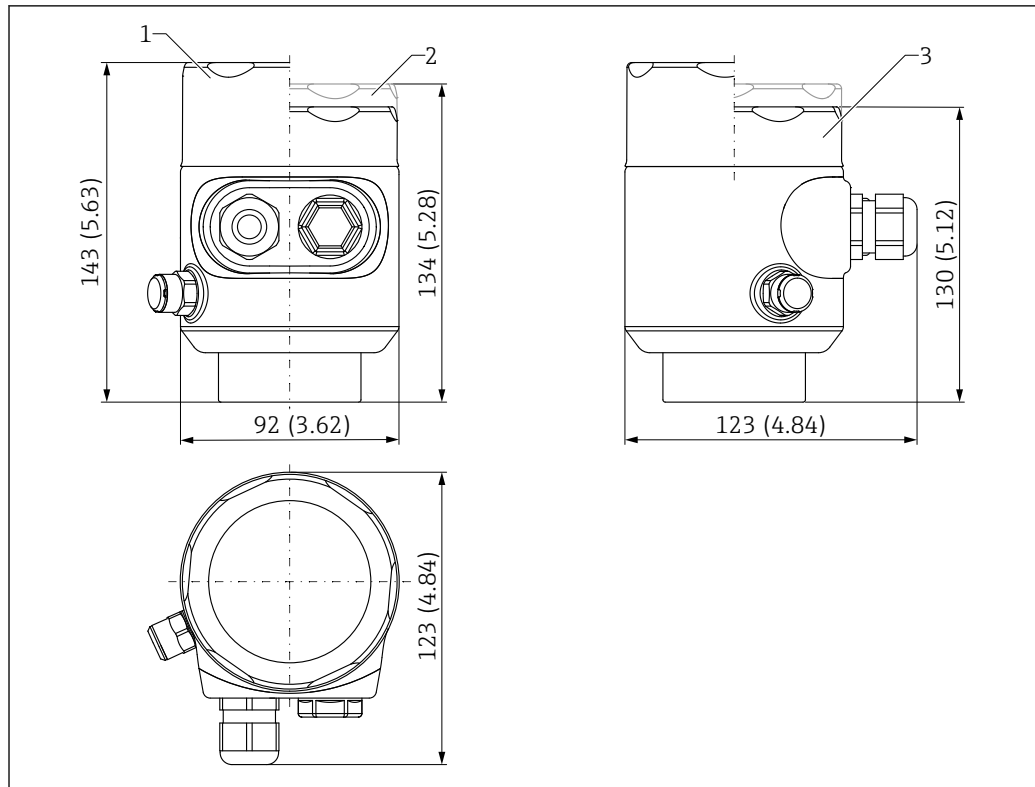


A0038380

45 Dimensions; single compartment housing, aluminum, coated; incl. M20 coupling and plug, plastic. Unit of measurement mm (in)

- 1 Height with cover comprising glass sight glass (devices for Ex d/XP, dust Ex)
- 2 Height with cover comprising plastic sight glass
- 3 Cover without sight glass

Single compartment housing, 316L, hygiene

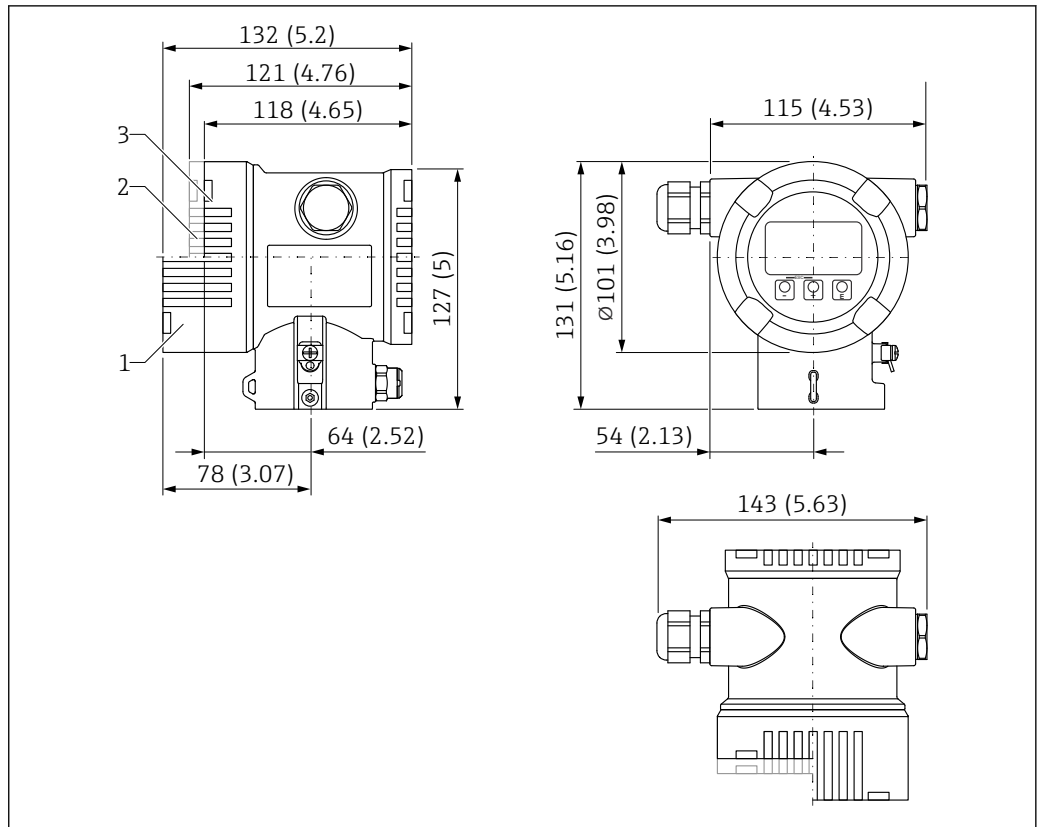


A0050364

46 Dimensions; single compartment housing, 316 L, hygiene; incl. M20 coupling and plug, plastic. Unit of measurement mm (in)

- 1 Height with cover comprising glass sight glass (dust ignition-proof)
- 2 Height with cover comprising plastic sight glass
- 3 Cover without sight glass

Dual compartment housing, aluminum, coated

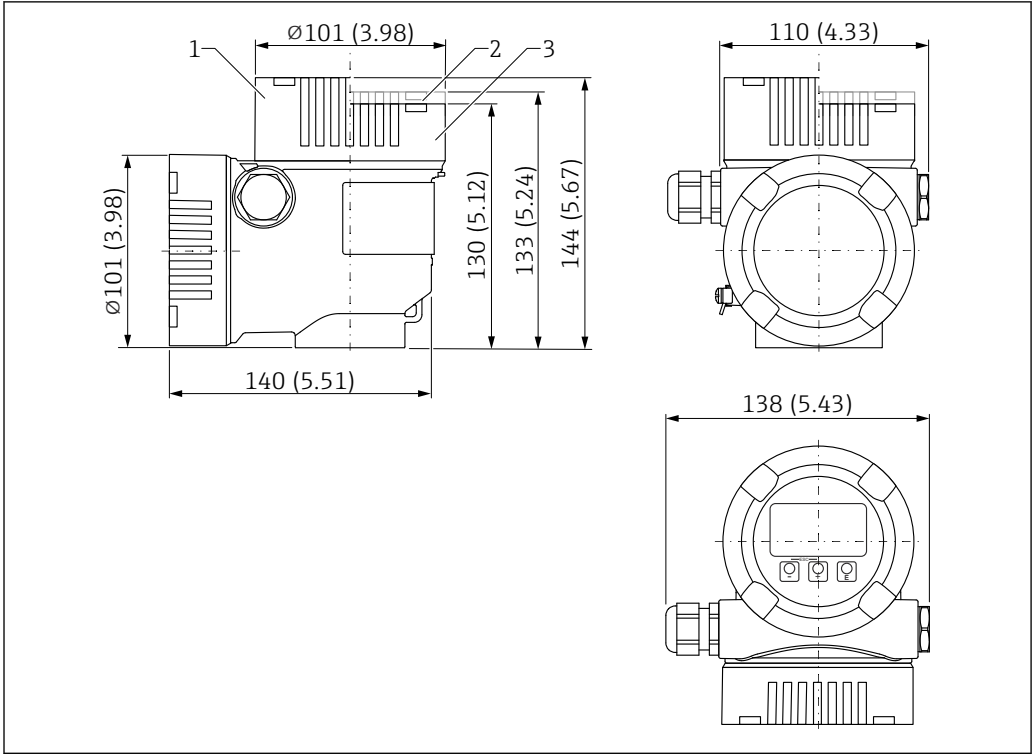


A0038377

47 Dimensions; dual compartment housing, aluminum, coated; incl. M20 coupling and plug, plastic. Unit of measurement mm (in)

- 1 Height with cover comprising glass sight glass (devices for Ex d/XP, dust Ex)
- 2 Height with cover comprising plastic sight glass
- 3 Cover without sight glass

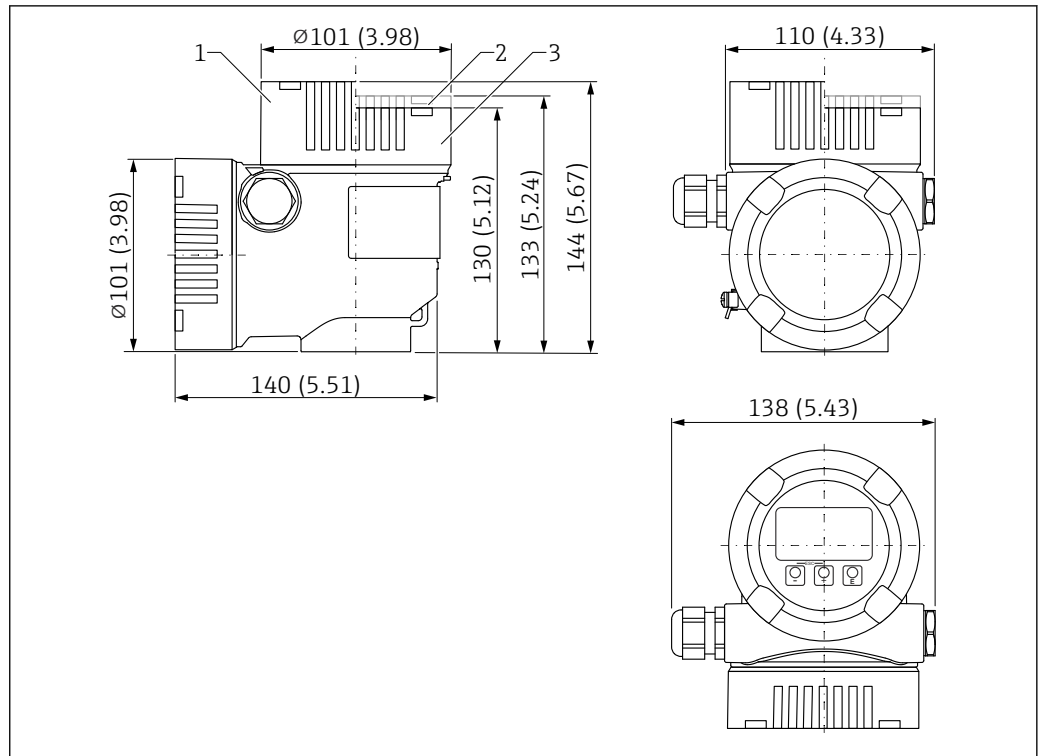
Dual compartment housing, L-shaped, aluminum, coated



48 Dimensions; dual compartment housing L-shaped, aluminum, coated; incl. M20 coupling and plug, plastic. Unit of measurement mm (in)

- 1 Height with cover comprising glass sight glass (devices for Ex d/XP, dust Ex)
- 2 Height with cover comprising plastic sight glass
- 3 Cover without sight glass

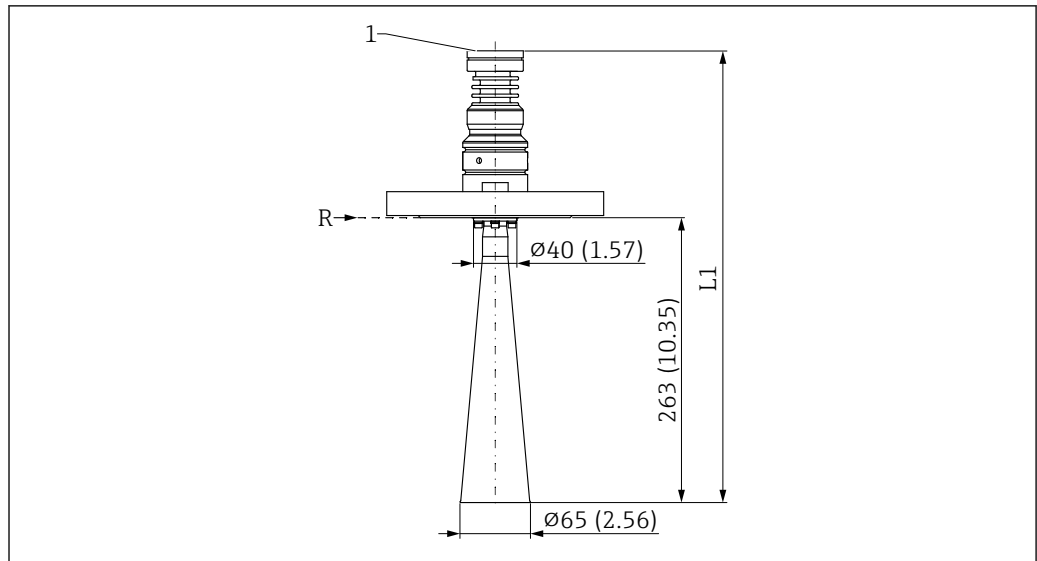
Dual compartment housing, L-shaped, 316L



49 Dimensions; dual compartment housing L-shaped, 316L; incl. M20 coupling and plug, plastic. Unit of measurement mm (in)

- 1 Height with cover comprising glass sight glass (devices for Ex d/XP, dust Ex)
- 2 Height with cover comprising plastic sight glass
- 3 Cover without sight glass

DN65 horn antenna - flange process connection



A0046495

50 Dimensions of DN65 horn antenna - flange process connection. Unit of measurement mm (in)

R Reference point of the measurement

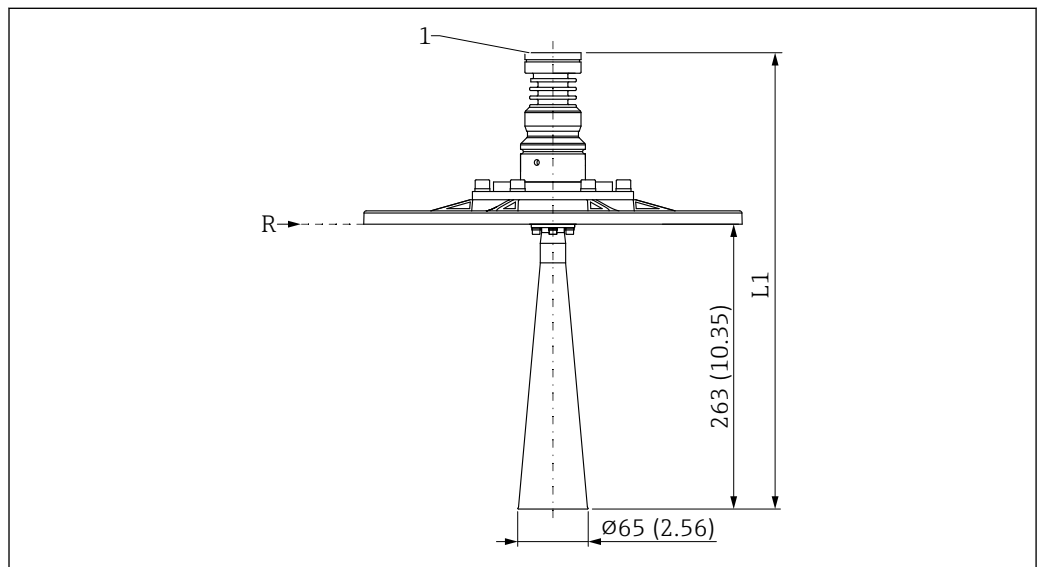
1 Lower edge of housing

L1 466 mm (18.35 in); version with Ex d or XP approval +5 mm (+0.20 in)



The flange dimensions depend on the selected standard and sealing surface (order options).
Dimensions that deviate from the standard are indicated.

DN65 horn antenna, with UNI flange and alignment unit



A0048883

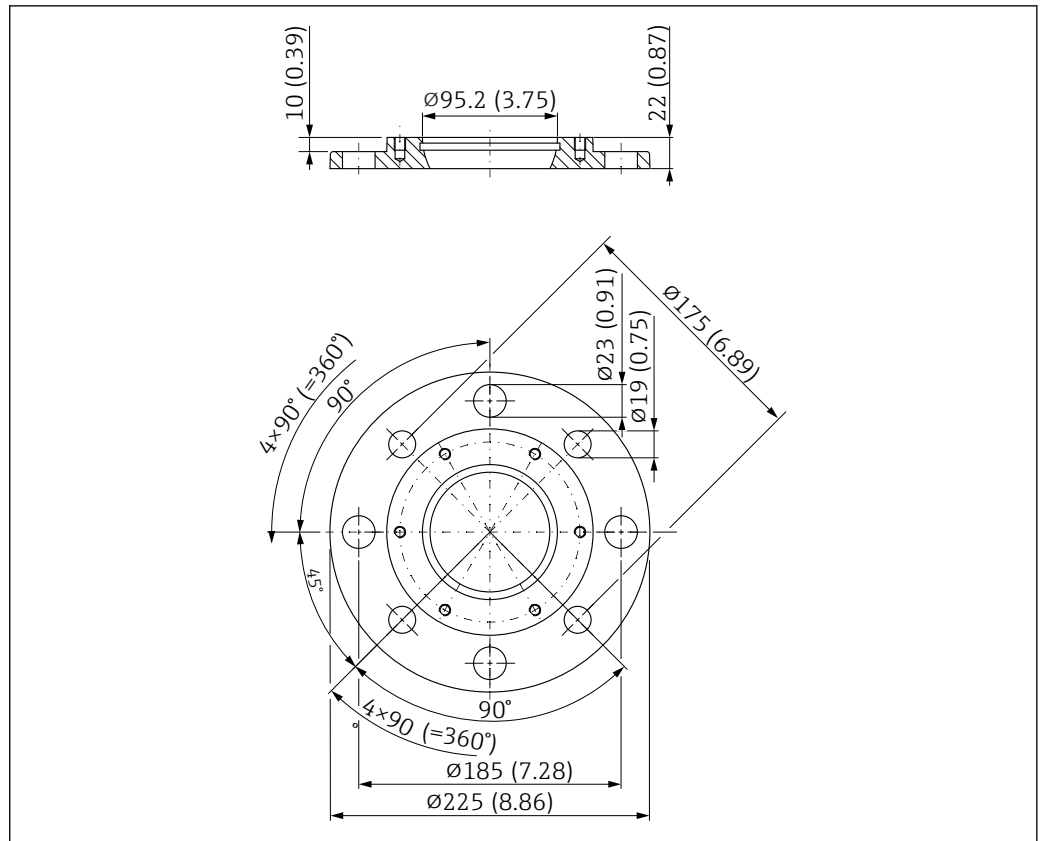
51 Dimensions of DN65 horn antenna, with UNI flange and alignment unit. Unit of measurement mm (in)

R Reference point of measurement

1 Bottom edge of housing

L1 466 mm (18.35 in); version with Ex d or XP approval +5 mm (+0.20 in)

UNI flange UNI 4"/DN100/100A for antennas with alignment unit



52 Dimensions of UNI flange UNI 4"/DN100/100A for antennas with alignment unit. Unit of measurement mm (in)

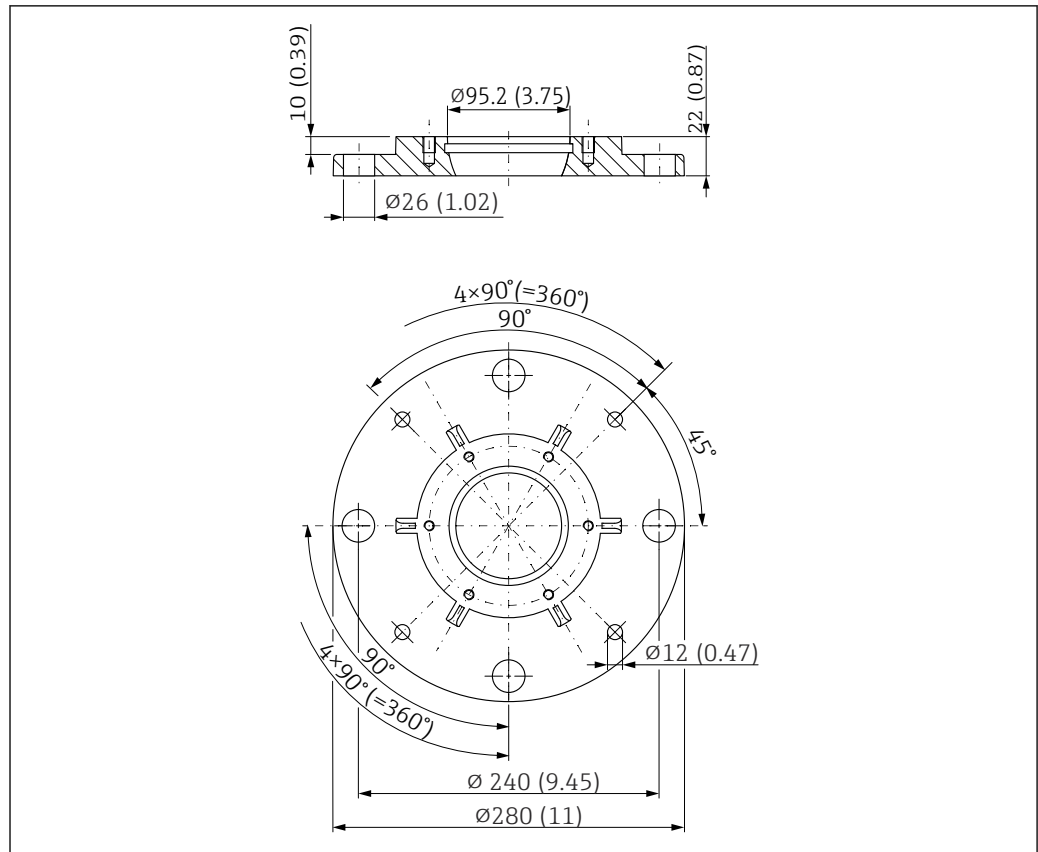
UNI flange UNI 4"/DN100/100A

Suitable for ASME B16.5, 4" 150lbs / EN1092-1; DN100 PN16 / JIS B2220; 10K 100A

- Material:
Aluminum
- Process pressure:
 ≤ 1 bar (14.5 psi)
- Weight:
1.4 kg (3.09 lb)

i The number of bolts is reduced in some cases. To match different standards the bores are enlarged. Therefore the bolts should be aligned centrally to the counter flange before tightening.

UNI flange 6"/DN150/150A for antennas with alignment unit



53 Dimensions of UNI flange 6"/DN150/150A for antennas with alignment unit. Unit of measurement mm (in)

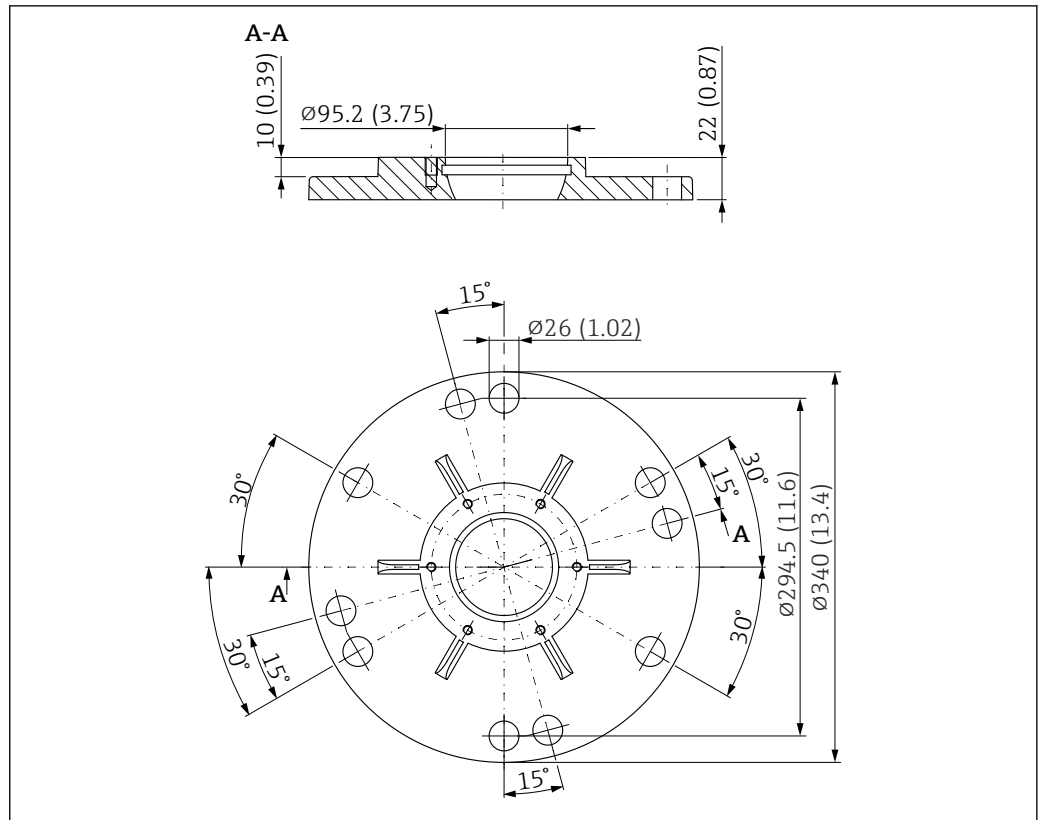
UNI flange 6"/DN150/150A

Suitable for ASME B16.5, 6" 150lbs / EN1092-1; DN150 PN16 / JIS B2220; 10K 150A

- Material:
Aluminum
- Process pressure:
≤1 bar (14.5 psi)
- Weight:
2.2 kg (4.85 lb)

i The number of bolts is reduced in some cases. To match different standards the bores are enlarged. Therefore the bolts should be aligned centrally to the counter flange before tightening.

UNI flange 8"/DN200/200A for antennas with alignment unit



54 Dimensions of UNI flange 8"/DN200/200A for antennas with alignment unit. Unit of measurement mm (in)

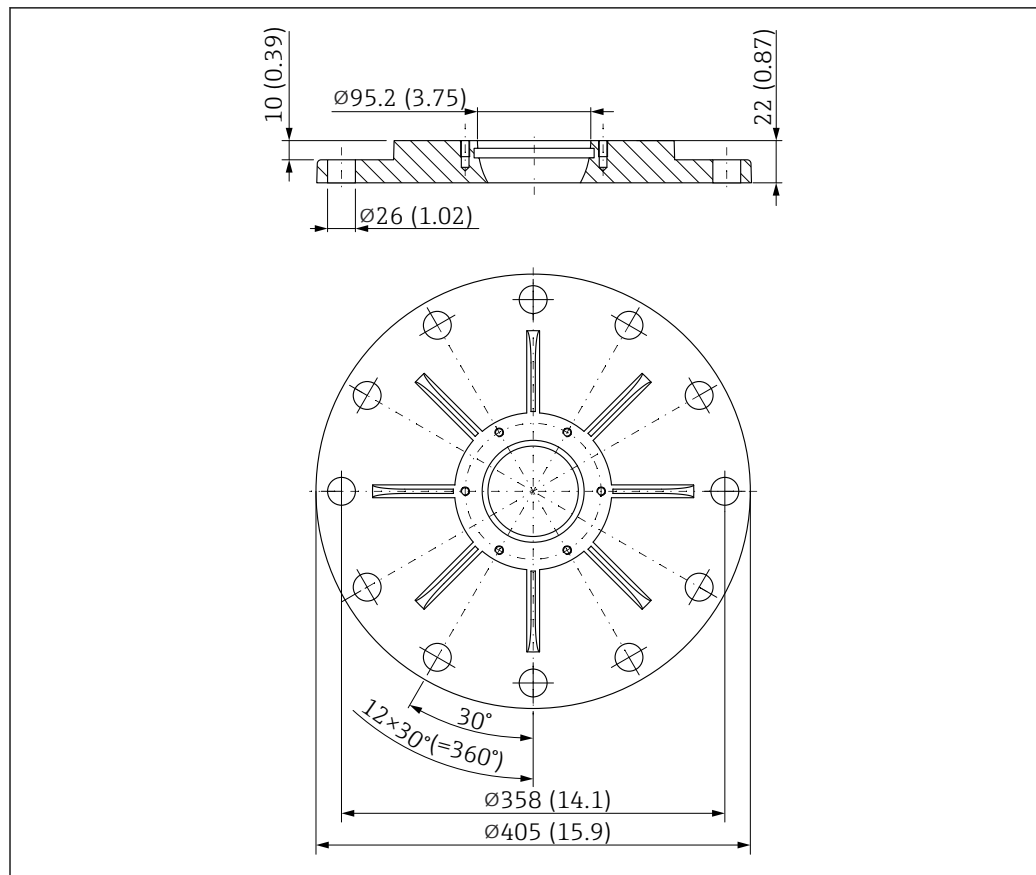
UNI flange 8"/DN200/200A

Suitable for ASME B16.5, 8" 150lbs / EN1092-1; DN200 PN16 / JIS B2220; 10K 200A

- Material:
Aluminum
- Process pressure:
≤1 bar (14.5 psi)
- Weight:
3.2 kg (7.05 lb)

i The number of bolts is reduced in some cases. To match different standards the bores are enlarged. Therefore the bolts should be aligned centrally to the counter flange before tightening.

UNI flange 10"/DN250/250A for antennas with alignment unit



A0048841

55 Dimensions of UNI flange 10"/DN250/250A for antennas with alignment unit. Unit of measurement mm (in)

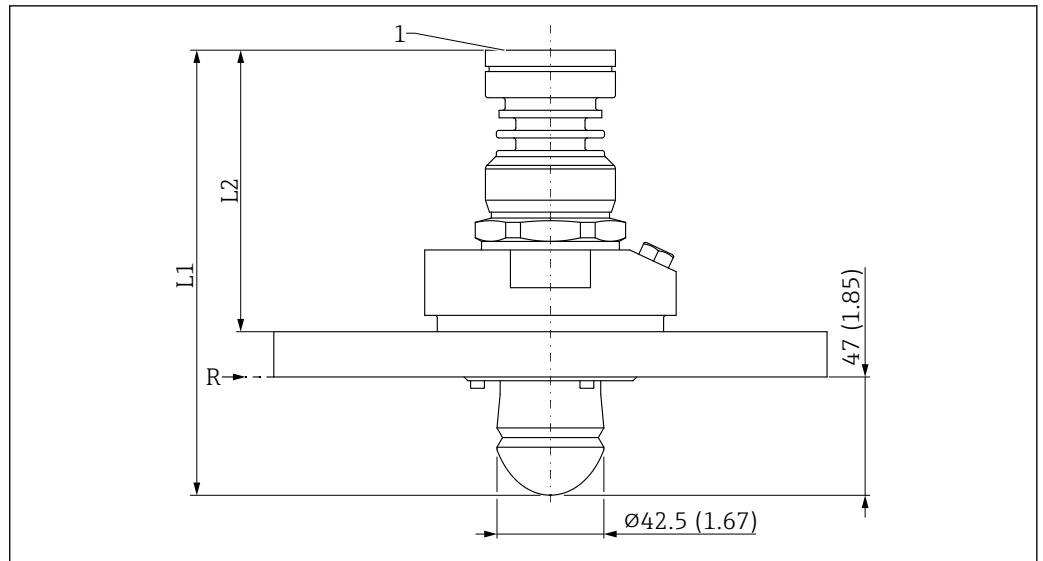
UNI flange 10"/DN250/250A

Suitable for ASME B16.5, 10" 150lbs / EN1092-1; DN250 PN16 / JIS B2220; 10K 250A

- Material:
Aluminum
- Process pressure:
≤1 bar (14.5 psi)
- Weight:
4.7 kg (10.36 lb)

i The number of bolts is reduced in some cases. To match different standards the bores are enlarged. Therefore the bolts should be aligned centrally to the counter flange before tightening.

Drip-off antenna, PTFE, 50 mm (2 in), with UNI flange and purge air connection



A0046488

56 Dimensions of Drip-off antenna, PTFE, 50 mm (2 in), with UNI flange and purge air connection. Unit of measurement mm (in)

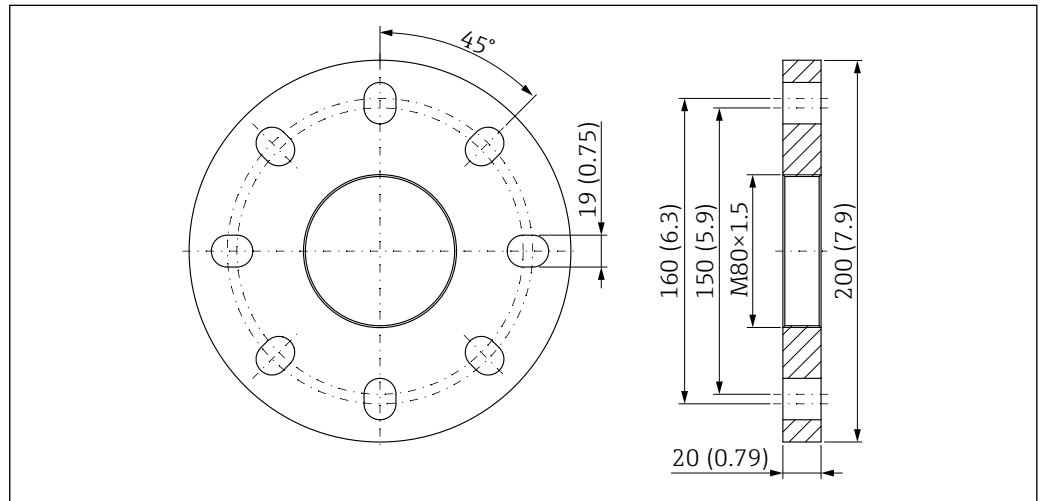
1 Bottom edge of housing

R Reference point of measurement

L1 175 mm (6.89 in); version with Ex d or XP approval +5 mm (+0.20 in)

L2 108 mm (4.25 in); version with Ex d or XP approval +5 mm (+0.20 in)

UNI flange 3"/DN80/80A for Drip-off antenna, PTFE, 50 mm (2 in) with purge air connection



A0046875

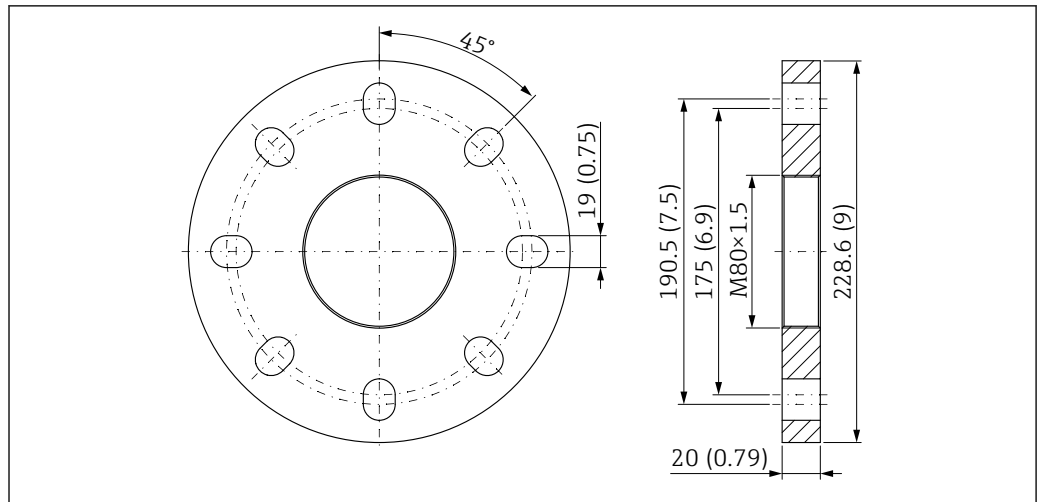
57 UNI flange 3"/DN80/80A for Drip-off antenna, PTFE, 50 mm (2 in) with purge air connection. Unit of measurement mm (in)

UNI flange 3"/DN80/80A

Suitable for flange: 3" 150lbs; DN80 PN16; 10K 80A

- Material:
PP
- Process pressure:
≤1 bar (14.5 psi)
- Weight:
0.5 kg (1.10 lb)

UNI flange 4"/DN100/100A for Drip-off antenna, PTFE, 50 mm (2 in) with purge air connection



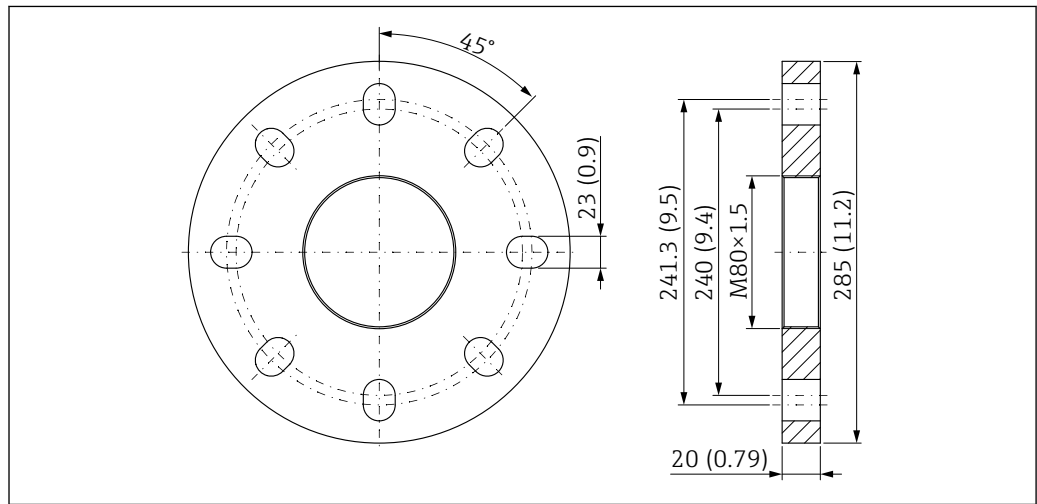
58 UNI flange 4"/DN100/100A for Drip-off antenna, PTFE, 50 mm (2 in) with purge air connection. Unit of measurement mm (in)

UNI flange 4"/DN100/100A

Suitable for flange: 4" 150lbs; DN100 PN16; 10K 100A

- Material:
PP
- Process pressure:
≤1 bar (14.5 psi)
- Weight:
0.65 kg (1.43 lb)

UNI flange 6"/DN150/150A for Drip-off antenna, PTFE, 50 mm (2 in) with purge air connection



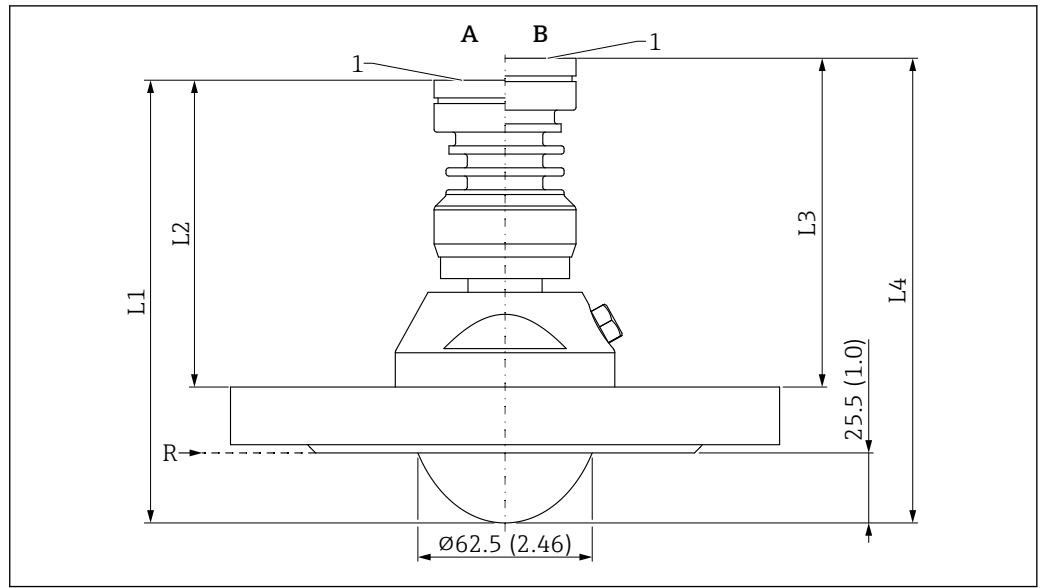
59 UNI flange 6"/DN150/150A for Drip-off antenna, PTFE, 50 mm (2 in) with purge air connection. Unit of measurement mm (in)

UNI flange 6"/DN150/150A

Suitable for flange: 6" 150lbs; DN150 PN16; 10K 150A

- Material:
PP
- Process pressure:
≤1 bar (14.5 psi)
- Weight:
1.1 kg (2.43 lb)

Antenna flush mount, PTFE, 80 mm (3 in), with standard flange and purge air connection



A0046489

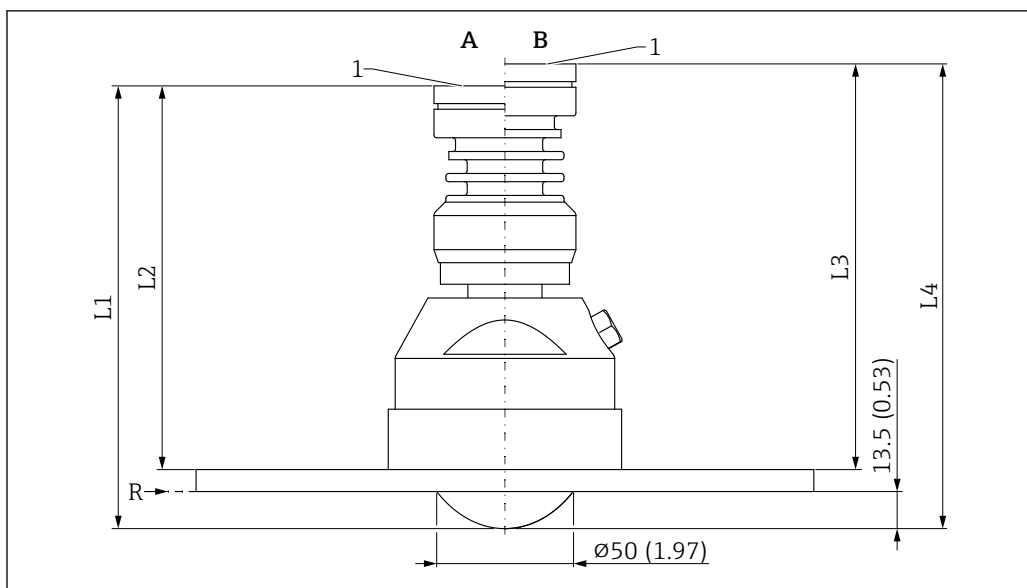
60 Dimensions of antenna flush mount, PTFE, 80 mm (3 in), with standard flange and purge air connection .
Unit of measurement mm (in)

- A Process temperature version ≤ 150 °C (302 °F)
- B Process temperature version ≤ 200 °C (392 °F)
- R Reference point of measurement
- 1 Bottom edge of housing
- L1 158 mm (6.22 in); version with Ex d or XP approval +5 mm (+0.20 in)
- L2 Variable dimension due to flange thickness (standard flange)
- L3 Variable dimension due to flange thickness (standard flange)
- L4 170 mm (6.69 in); version with Ex d or XP approval +5 mm (+0.20 in)



The flange dimensions depend on the selected standard and sealing surface (order options).
Dimensions that deviate from the standard are indicated.

Antenna flush mount, PTFE, 80 mm (3 in), with UNI flange and purge air connection



A0046490

61 Dimensions of antenna flush mount, PTFE, 80 mm (3 in), with UNI flange and purge air connection. Unit of measurement mm (in)

A Process temperature version $\leq 150\text{ }^{\circ}\text{C}$ (302 $^{\circ}\text{F}$)

B Process temperature version $\leq 200\text{ }^{\circ}\text{C}$ (392 $^{\circ}\text{F}$)

R Reference point of measurement

1 Bottom edge of housing

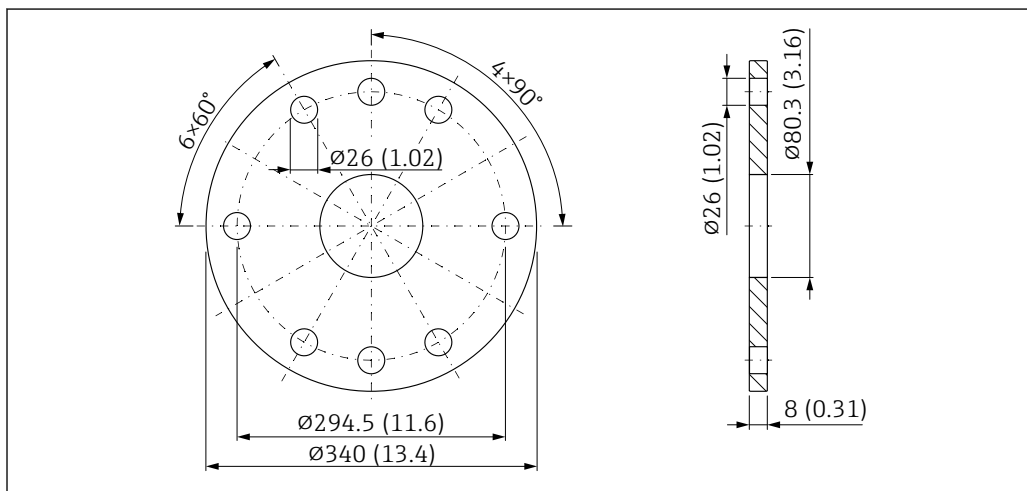
L1 158 mm (6.22 in); version with Ex d or XP approval +5 mm (+0.20 in)

L2 137 mm (5.39 in); version with Ex d or XP approval +5 mm (+0.20 in)

L3 149 mm (5.87 in); version with Ex d or XP approval +5 mm (+0.20 in)

L4 170 mm (6.69 in); version with Ex d or XP approval +5 mm (+0.20 in)

UNI flange 8"/DN200/200A for antenna flush mount, PTFE, 80 mm (3 in), purge air connection



A0048820

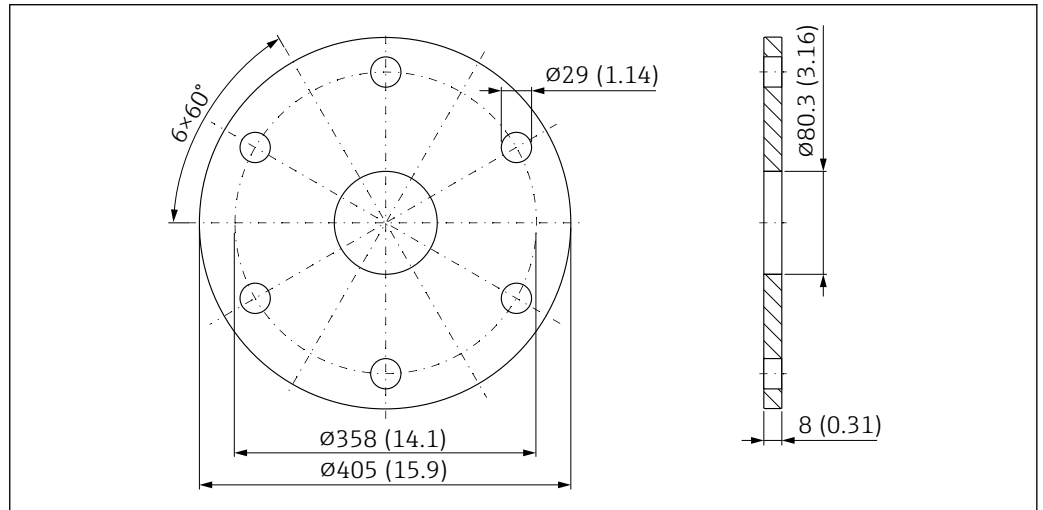
62 Dimensions of UNI flange 8"/DN200/200A for DN80 antenna with purge air connection. Unit of measurement mm (in)

UNI flange 8"/DN200/200A

Suitable for ASME B16.5, 8" 150lbs / EN1092-1; DN200 PN16 / JIS B2220; 10K 200A

- Material
316L
- Process pressure:
≤1 bar (14.5 psi)
- Weight:
5.1 kg (11.24 lb)

UNI flange 10"/DN250/250A for antenna flush mount, PTFE, 80 mm (3 in), purge air connection



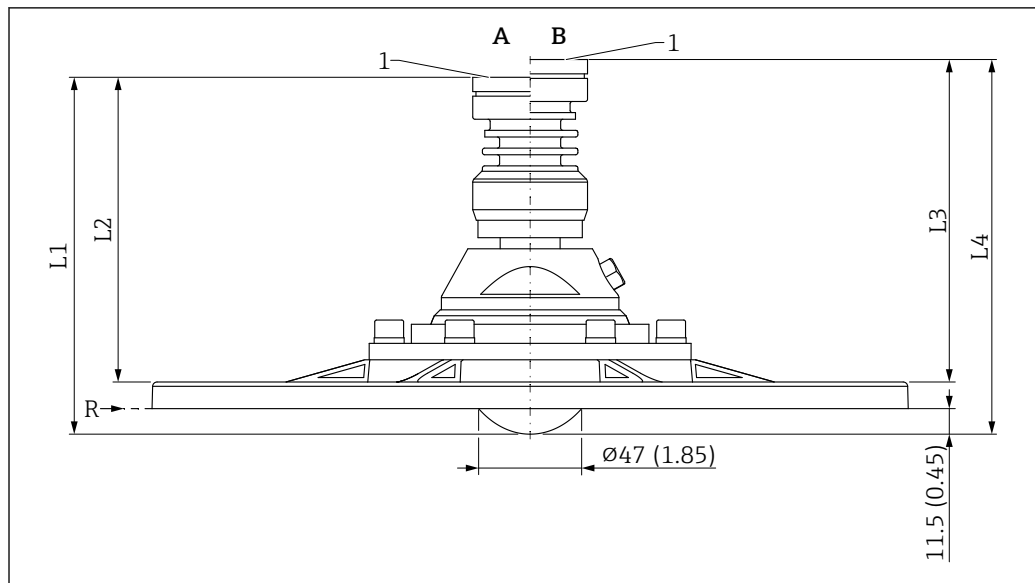
63 Dimensions of UNI flange 10"/DN250/250A for DN80 antenna with purge air connection. Unit of measurement mm (in)

UNI flange 10"/DN250/250A

Suitable for ASME B16.5, 10" 150lbs / EN1092-1; DN250 PN16 / JIS B2220; 10K 250A

- Material:
316L
- Process pressure:
≤1 bar (14.5 psi)
- Weight:
7.9 kg (17.41 lb)

Antenna flush mount, 80 mm (3 in), with UNI flange, alignment unit and purge air connection



A006491

64 Dimensions of antenna flush mount, 80 mm (3 in), with UNI flange, alignment unit and purge air connection. Unit of measurement mm (in)

A Process temperature version ≤ 150 °C (302 °F)

B Process temperature version ≤ 200 °C (392 °F)

R Reference point of measurement

1 Bottom edge of housing

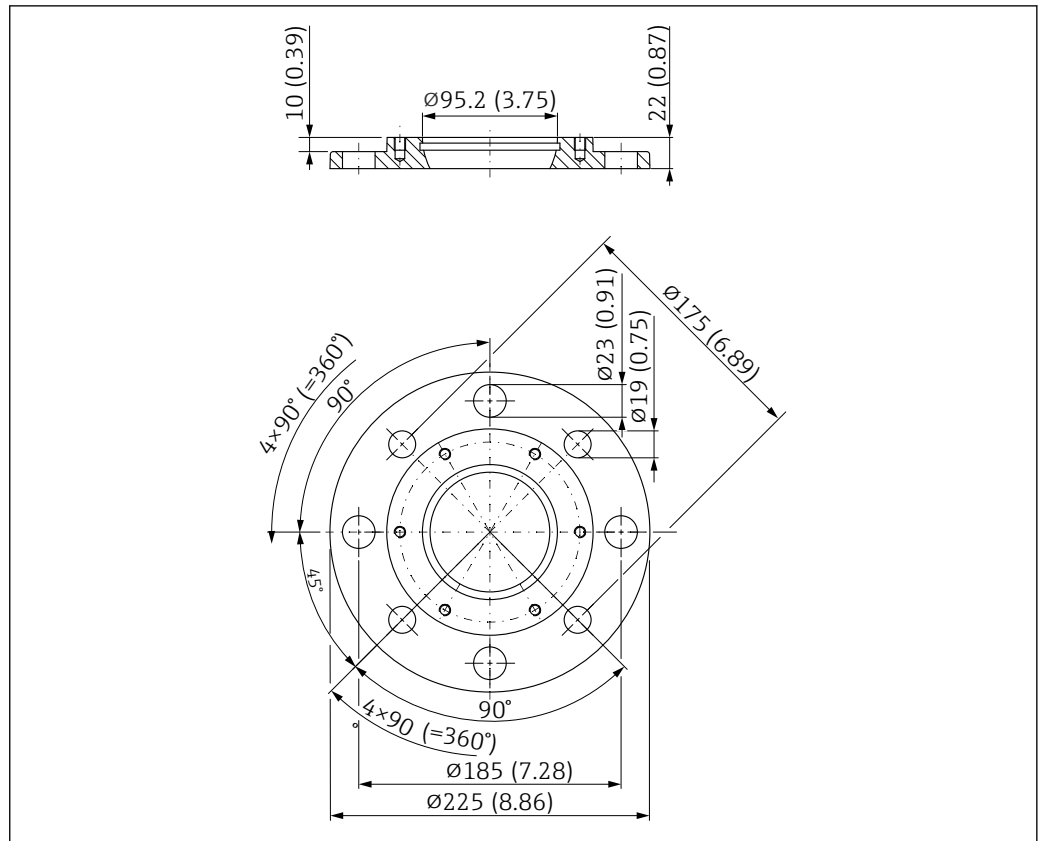
L1 158 mm (6.22 in); version with Ex d or XP approval +5 mm (+0.20 in)

L2 134 mm (5.28 in); version with Ex d or XP approval +5 mm (+0.20 in)

L3 146 mm (5.75 in); version with Ex d or XP approval +5 mm (+0.20 in)

L4 170 mm (6.69 in); version with Ex d or XP approval +5 mm (+0.20 in)

UNI flange UNI 4"/DN100/100A for antennas with alignment unit



A0048838

65 Dimensions of UNI flange UNI 4"/DN100/100A for antennas with alignment unit. Unit of measurement mm (in)

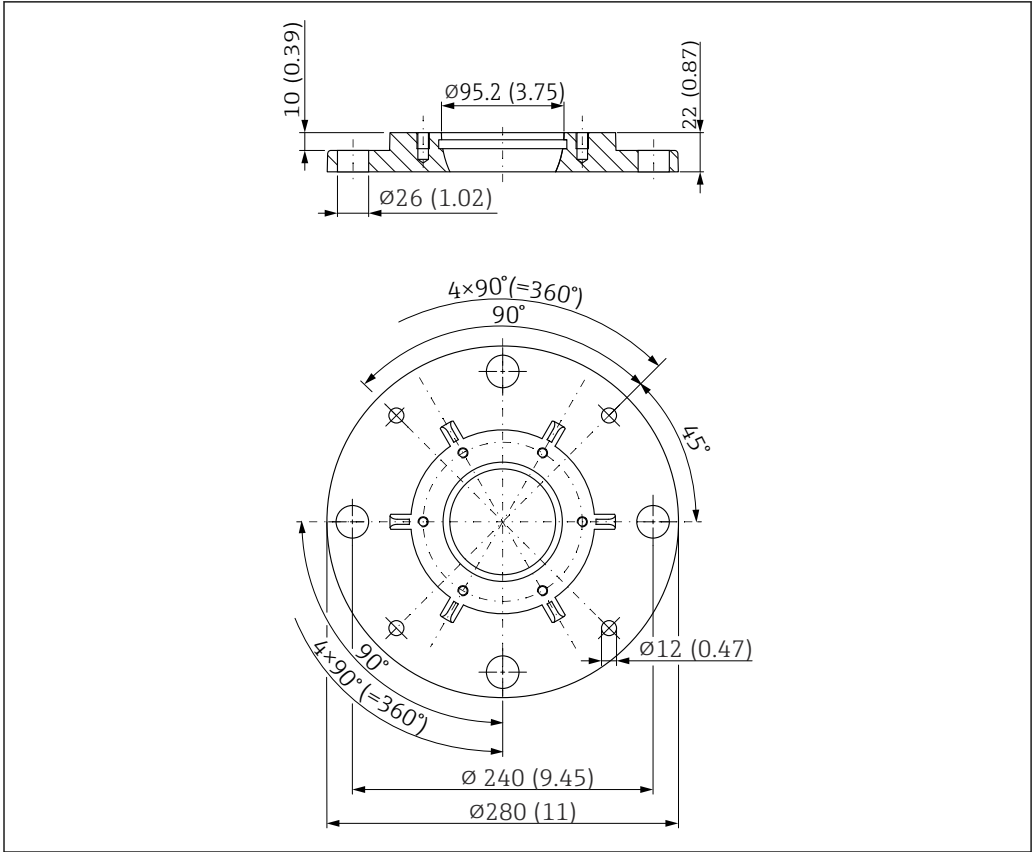
UNI flange UNI 4"/DN100/100A

Suitable for ASME B16.5, 4" 150lbs / EN1092-1; DN100 PN16 / JIS B2220; 10K 100A

- Material:
Aluminum
- Process pressure:
 ≤ 1 bar (14.5 psi)
- Weight:
1.4 kg (3.09 lb)

i The number of bolts is reduced in some cases. To match different standards the bores are enlarged. Therefore the bolts should be aligned centrally to the counter flange before tightening.

UNI flange 6"/DN150/150A for antennas with alignment unit



A0048839

66 Dimensions of UNI flange 6"/DN150/150A for antennas with alignment unit. Unit of measurement mm (in)

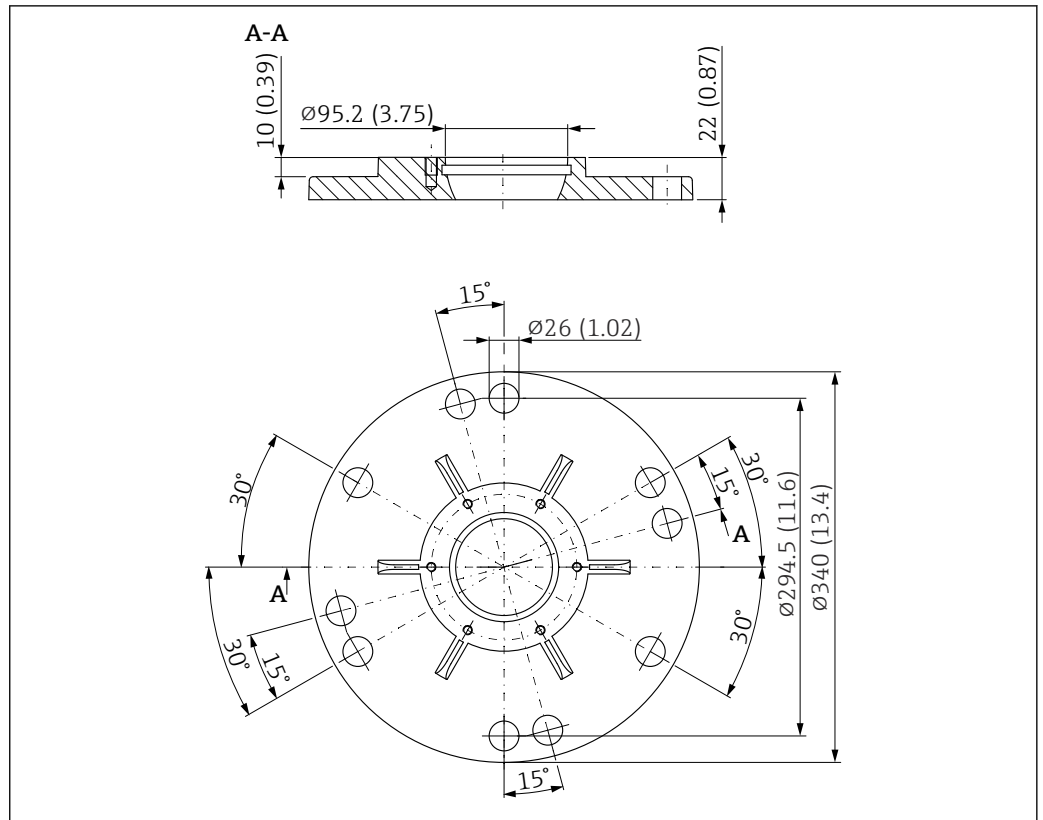
UNI flange 6"/DN150/150A

Suitable for ASME B16.5, 6" 150lbs / EN1092-1; DN150 PN16 / JIS B2220; 10K 150A

- Material:
Aluminum
- Process pressure:
 ≤ 1 bar (14.5 psi)
- Weight:
2.2 kg (4.85 lb)

i The number of bolts is reduced in some cases. To match different standards the bores are enlarged. Therefore the bolts should be aligned centrally to the counter flange before tightening.

UNI flange 8"/DN200/200A for antennas with alignment unit



67 Dimensions of UNI flange 8"/DN200/200A for antennas with alignment unit. Unit of measurement mm (in)

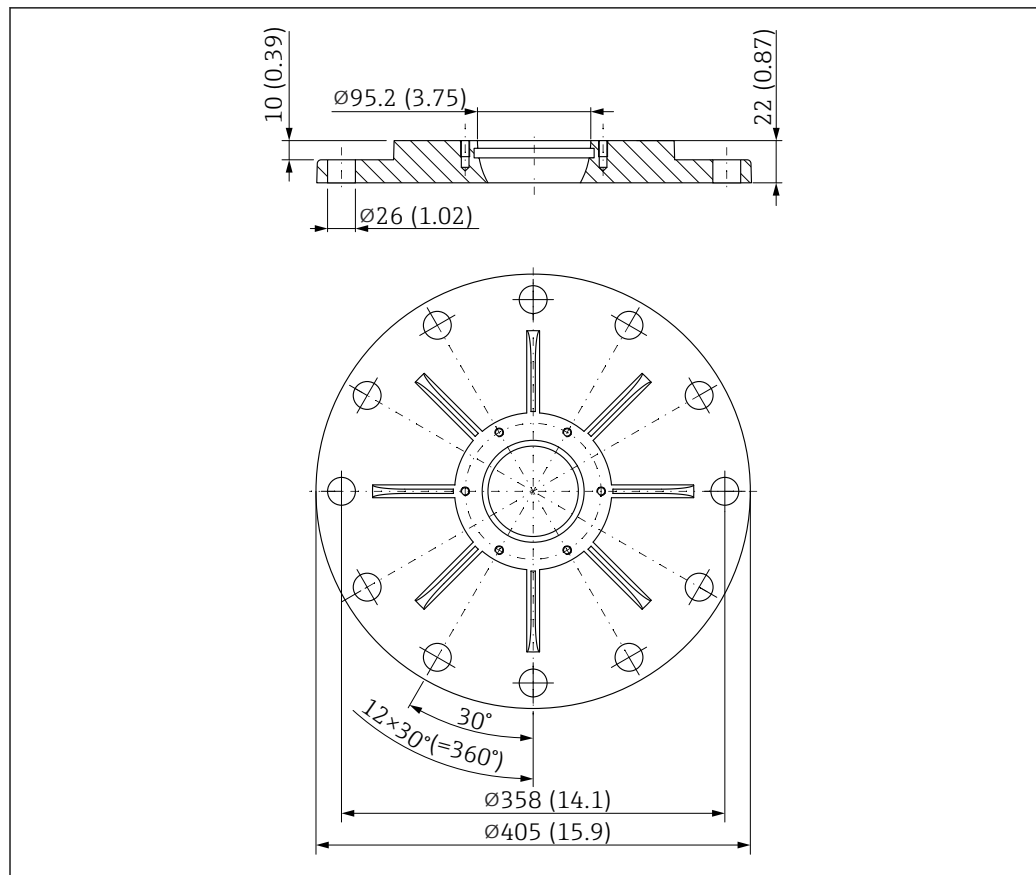
UNI flange 8"/DN200/200A

Suitable for ASME B16.5, 8" 150lbs / EN1092-1; DN200 PN16 / JIS B2220; 10K 200A

- Material:
Aluminum
- Process pressure:
≤1 bar (14.5 psi)
- Weight:
3.2 kg (7.05 lb)

i The number of bolts is reduced in some cases. To match different standards the bores are enlarged. Therefore the bolts should be aligned centrally to the counter flange before tightening.

UNI flange 10"/DN250/250A for antennas with alignment unit



68 Dimensions of UNI flange 10"/DN250/250A for antennas with alignment unit. Unit of measurement mm (in)

UNI flange 10"/DN250/250A

Suitable for ASME B16.5, 10" 150lbs / EN1092-1; DN250 PN16 / JIS B2220; 10K 250A

- Material:
Aluminum
- Process pressure:
≤1 bar (14.5 psi)
- Weight:
4.7 kg (10.36 lb)

i The number of bolts is reduced in some cases. To match different standards the bores are enlarged. Therefore the bolts should be aligned centrally to the counter flange before tightening.

Weight

i The weights of the individual components must be added together for the total weight.

Housing

Weight including electronics and display.

Single compartment housing

- Plastic: 0.5 kg (1.10 lb)
- Aluminum: 1.2 kg (2.65 lb)
- 316L hygiene: 1.2 kg (2.65 lb)

Dual compartment housing

Aluminum: 1.4 kg (3.09 lb)

Dual compartment housing, L-shaped

- Aluminum: 1.7 kg (3.75 lb)
- Stainless steel: 4.5 kg (9.9 lb)

Antenna and process connection adapter



The flange weight (316/316L) depends on the selected standard and sealing surface.
Details -> TI00426F or in the relevant standard



The heaviest version is indicated for the antenna weights

DN65 horn antenna

4.40 kg (9.70 lb) + flange weight

Drip-off antenna 50 mm (2 in)

1.70 kg (3.75 lb)

Antenna, flush mount, PTFE, 80 mm (3 in)

3.20 kg (7.05 lb) + flange weight

Materials

Materials not in contact with process

Single compartment housing, plastic

- Housing: PBT/PC
- Dummy cover: PBT/PC
- Cover with sight glass: PBT/PC and PC
- Cover seal: EPDM
- Potential equalization: 316L
- Seal under potential equalization: EPDM
- Plug: PBT-GF30-FR
- Seal on plug: EPDM
- Nameplate: plastic foil
- TAG plate: plastic foil, metal or provided by the customer



The cable entry (material: Stainless steel, nickel-plated brass, plastic) can be ordered via the "Electrical connection" product structure.

Single compartment housing, aluminum, coated

- Housing: aluminum EN AC 43400
- Housing coating, cover: polyester
- EN AC-43400 aluminum cover with Lexan 943A PC sight glass
- EN AC-443400 aluminum cover with borosilicate sight glass; dust-Ex for Ex d/XP
- Dummy cover: aluminum EN AC 43400
- Cover sealing materials: HNBR
- Cover sealing materials: FVMQ (in low temperature version only)
- Plug: PBT-GF30-FR or aluminum
- Plug sealing material: EPDM
- Nameplate: plastic foil
- TAG plate: plastic foil, stainless steel or provided by the customer



The cable entry (material: Stainless steel, nickel-plated brass, plastic) can be ordered via the "Electrical connection" product structure.

Single compartment housing, 316L, hygienic


- Housing: stainless steel 316 L (1.4404)
- Dummy cover: stainless steel 316 L (1.4404)
- Cover stainless steel 316 L (1.4404) with PC Lexan 943A sight glass
- Cover stainless steel 316 L (1.4404) with borosilicate sight glass; can optionally be ordered as a mounted accessory
- For dust ignition-proof applications, the sight glass is always made of borosilicate.
- Cover sealing materials: VMQ
- Plug: PBT-GF30-FR or stainless steel
- Plug sealing material: EPDM
- Nameplate: stainless steel housing labeled directly
- TAG plate: plastic foil, stainless steel or provided by the customer



The cable entry (material: Stainless steel, nickel-plated brass, plastic) can be ordered via the "Electrical connection" product structure.


Dual compartment housing, aluminum, coated

- Housing: aluminum EN AC 43400
- Housing coating, cover: polyester
- EN AC-43400 aluminum cover with Lexan 943A PC sight glass
EN AC-443400 aluminum cover with borosilicate sight glass; dust-Ex for Ex d/XP
- Dummy cover: aluminum EN AC 43400
- Cover sealing materials: HNBR
- Cover sealing materials: FVMQ (in low temperature version only)
- Plug: PBT-GF30-FR or aluminum
- Plug sealing material: EPDM
- Nameplate: plastic foil
- TAG plate: plastic foil, stainless steel or provided by the customer

 The cable entry (material: Stainless steel, nickel-plated brass, plastic) can be ordered via the "Electrical connection" product structure.


Dual compartment housing; 316L

- Housing: stainless steel AISI 316L (1.4409)
Stainless steel (ASTM A351 : CF3M (cast equivalent to AISI 316L material)/DIN EN 10213 : 1.4409)
- Dummy cover: stainless steel AISI 316L (1.4409)
- Cover: stainless steel AISI 316L (1.4409) with borosilicate sight glass
- Cover sealing materials: HNBR
- Cover sealing materials: FVMQ (in low temperature version only)
- Plug: stainless steel
- Plug sealing material: EPDM
- Nameplate: stainless steel
- TAG plate: plastic foil, stainless steel or provided by the customer

 The cable entry (material: Stainless steel, nickel-plated brass, plastic) can be ordered via the "Electrical connection" product structure.


Dual compartment housing, L-shaped, aluminum, coated

- Housing: aluminum EN AC 43400
- Housing coating, cover: polyester
- EN AC-43400 aluminum cover with Lexan 943A PC sight glass
EN AC-443400 aluminum cover with borosilicate sight glass; dust-Ex for Ex d/XP
- Dummy cover: aluminum EN AC 43400
- Cover sealing materials: HNBR
- Cover sealing materials: FVMQ (in low temperature version only)
- Plug: PBT-GF30-FR or aluminum
- Plug sealing material: EPDM
- Nameplate: plastic foil
- TAG plate: plastic foil, stainless steel or provided by the customer

 The cable entry (material: Stainless steel, nickel-plated brass, plastic) can be ordered via the "Electrical connection" product structure.

Dual compartment housing, L-shaped, 316L

- Housing: stainless steel AISI 316L (1.4409)
Stainless steel (ASTM A351 : CF3M (cast equivalent to AISI 316L material)/DIN EN 10213 : 1.4409)
- Dummy cover: stainless steel AISI 316L (1.4409)
- Cover: stainless steel AISI 316L (1.4409) with borosilicate sight glass
- Cover sealing materials: HNBR
- Cover sealing materials: FVMQ (in low temperature version only)
- Plug: stainless steel
- Plug sealing material: EPDM
- Nameplate: stainless steel housing labeled directly
- TAG plate: plastic foil, stainless steel or provided by the customer

 The cable entry (material: Stainless steel, nickel-plated brass, plastic) can be ordered via the "Electrical connection" product structure.

Cable entry

Coupling M20, plastic

- Material: PA
- Seal on cable gland: EPDM
- Dummy plug: plastic

Coupling M20, nickel-plated brass

- Material: nickel-plated brass
- Seal on cable gland: EPDM
- Dummy plug: plastic

Coupling M20, 316L

- Material: 316L
- Seal on cable gland: EPDM
- Dummy plug: plastic

M20 coupling, 316 L, hygiene

- Material: 316L
- Seal on cable gland: EPDM

M20 thread

The device is supplied with M20 thread as standard.

Transport plug: LD-PE

Thread G ½

The device is supplied as standard with an M20 thread and an enclosed adapter to G ½ including documentation (aluminum housing, 316L housing, hygienic housing) or with a mounted adapter to G ½ (plastic housing).

- Adapter made of PA66-GF or aluminum or 316L (depends on housing version ordered)
- Transport plug: LD-PE

NPT ½ thread

The device is supplied as standard with an NPT ½ thread (aluminum housing, 316L housing) or with a mounted adapter to NPT ½ (plastic housing, hygienic housing).

- Adapter made of PA66-GF or 316L (depends on housing version ordered)
- Transport plug: LD-PE

M20 coupling, blue plastic

- Material: PA, blue
- Seal on cable gland: EPDM
- Dummy plug: plastic

M12 plug

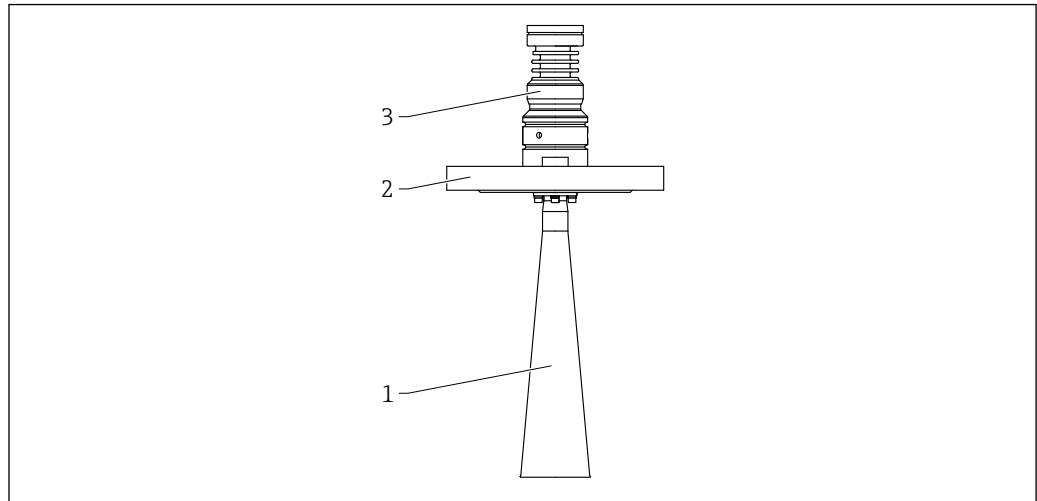
- Material: nickel-plated CuZn or 316L (depends on housing version ordered)
- Transport cap: LD-PE

HAN7D plug

Material: aluminum, die-cast zinc, steel

Wetted materials

65 mm (2.6 in) horn antenna

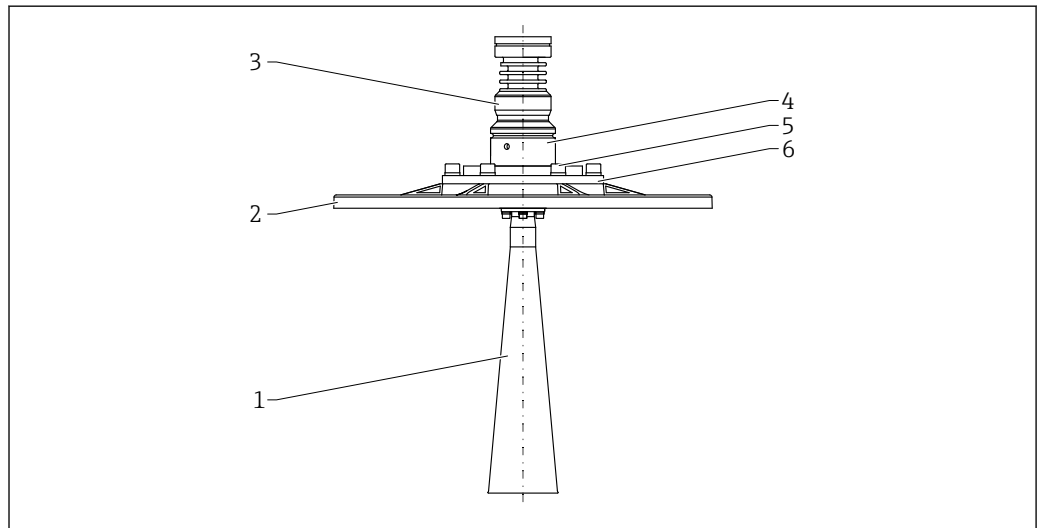


A0046618

▣ 69 Material; 65 mm (2.6 in) horn antenna. Unit of measurement mm (in)

- 1 Horn: 316L (1.4404)
Antenna: Al_2O_3 (ceramic)
Antenna seal: graphite
- 2 Process connection: 316L (1.4404)
- 3 Housing adapter: 316L (1.4404)

65 mm (2.6 in) horn antenna, with UNI flange and alignment unit

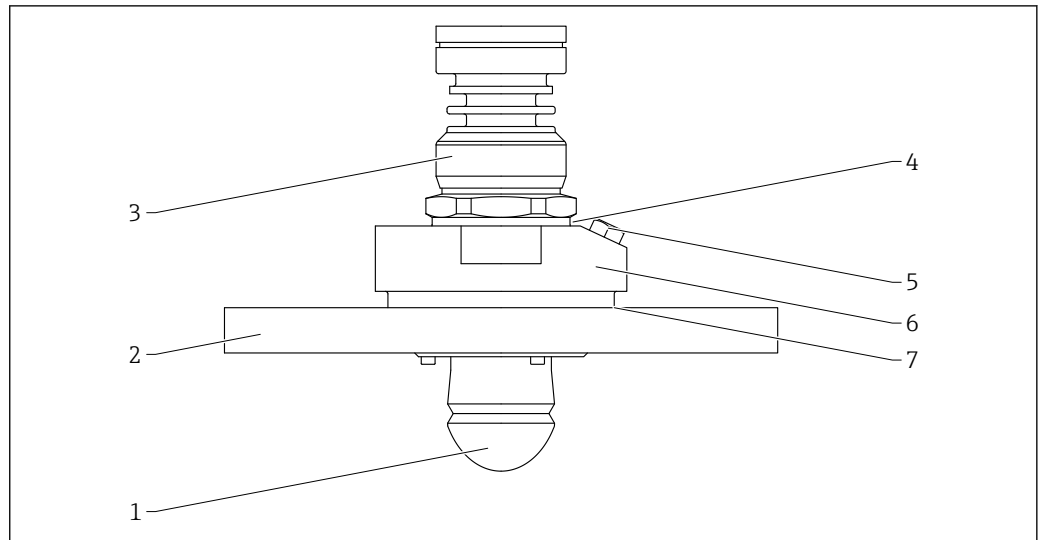


A0048884

▣ 70 Material; 65 mm (2.6 in) horn antenna, with UNI flange and alignment unit. Unit of measurement mm (in)

- 1 Horn: 316L (1.4404)
Antenna: Al_2O_3 (ceramic)
Antenna seal: graphite
- 2 Process connection: aluminum
- 3 Housing adapter: 316L (1.4404)
- 4 Sensor adapter with alignment unit: 316 L (1.4404)
- 5 Screws : A4-70 or A2-70
- 6 Clamping washer: 3.1645 or aluminum

Drip-off antenna, purge air connection

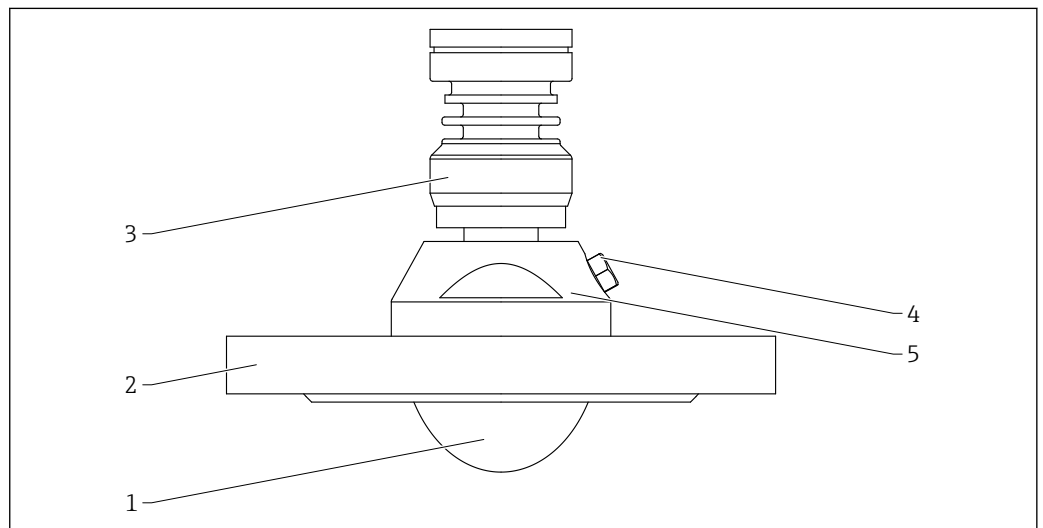


A0046611

71 Material; drip-off antenna, purge air connection . Unit of measurement mm (in)

- 1 Antenna: PTFE, seal material FKM Viton GLT
- 2 Process connection: PP
- 3 Housing sensor adapter: 316L (1.4404)
- 4 Synthetic/organic fiber elastomer seal (asbestos-free), FA material
- 5 Threaded adapter, screw plug: 316 L (1.4404)
For NPT screw plug: seal material PTFE tape
For G screw plug or NPT adapter: seal material FKM O-ring
- 6 Purge air adapter: PA-GF (polyamide fiber-glass reinforced)
- 7 Synthetic/organic fiber elastomer seal (asbestos-free), FA material

Antenna, flush mount, 80 mm (3 in), with flange and purge air connection

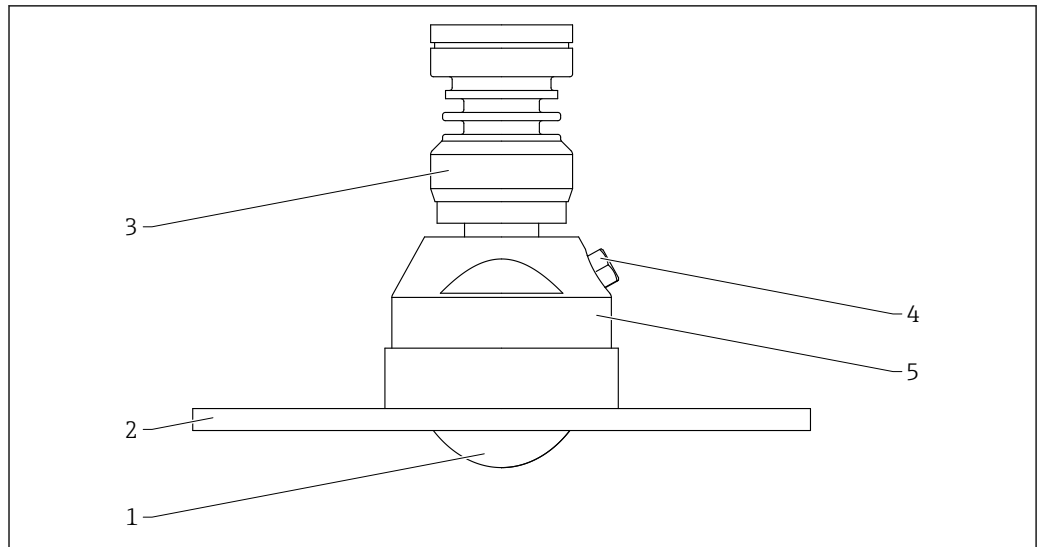


A0046612

72 Material; antenna, flush mount, 80 mm (3 in), with flange and purge air connection. Unit of measurement mm (in)

- 1 Antenna: PTFE, seal material FKM Viton GLT
- 2 Process connection: 316L (1.4404)
- 3 Housing adapter: 316L (1.4404)
- 4 Threaded adapter, screw plug: 316 L (1.4404)
For NPT screw plug: seal material PTFE tape
For G screw plug or NPT adapter: seal material FKM O-ring
- 5 Integrated purge air adapter: 316L (1.4404)

Antenna, flush mount, 80 mm (3 in), with UNI flange and purge air connection

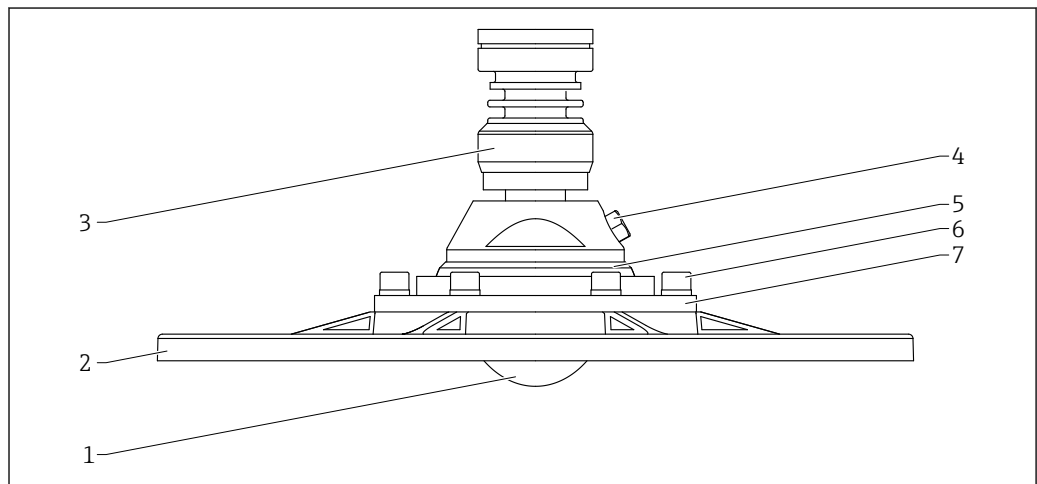


A0046613

73 Material; antenna, flush mount, 80 mm (3 in), with UNI flange and purge air connection. Unit of measurement mm (in)

- 1 Antenna: PTFE, seal material FKM Viton GLT
- 2 Process connection: 316L (1.4404)
- 3 Housing adapter: 316L (1.4404)
- 4 Threaded adapter, screw plug: 316 L (1.4404)
For NPT screw plug: seal material PTFE tape
For G screw plug or NPT adapter: seal material FKM O-ring
- 5 Integrated purge air adapter: 316L (1.4404)

Antenna, flush mount, 80 mm (3 in), with UNI flange, alignment unit and purge air connection



A0046614

74 Material, antenna, flush mount, 80 mm (3 in), with UNI flange, alignment unit and purge air connection

- 1 Antenna: PTFE, seal material FKM Viton GLT
- 2 Process connection: aluminum
- 3 Housing adapter: 316L (1.4404)
- 4 Threaded adapter, screw plug, purge air adapter: 316 L (1.4404)
For NPT screw plug: seal material PTFE tape
For G screw plug or NPT adapter: seal material FKM O-ring
- 5 Sensor adapter with alignment unit: 316 L (1.4404)
- 6 Screws : A4-70 or A2-70
- 7 Clamping washer: 3.1645 or aluminum

Display and user interface

Operating concept

Operator-oriented menu structure for user-specific tasks

- Guidance
- Diagnostics
- Application
- System

Fast and safe commissioning

- Interactive wizard with graphical user interface for guided commissioning in FieldCare, DeviceCare or DTM, AMS and PDM-based third-party tools or SmartBlue
- Menu guidance with short explanations of the individual parameter functions
- Standardized operation at the device and in the operating tools

Integrated HistoROM data memory

- Adoption of data configuration when electronics modules are replaced
- Up to 100 event messages recorded in the device

Efficient diagnostic behavior increases measurement availability

- Remedial measures are integrated in plain text
- Diverse simulation options

Bluetooth (optionally integrated in local display)

- Quick and easy setup with SmartBlue app or PC with DeviceCare, version 1.07.05 and higher, or FieldXpert SMT70
- No additional tools or adapters required
- Encrypted single point-to-point data transmission (tested by Fraunhofer Institute) and password-protected communication via *Bluetooth*® wireless technology

Languages

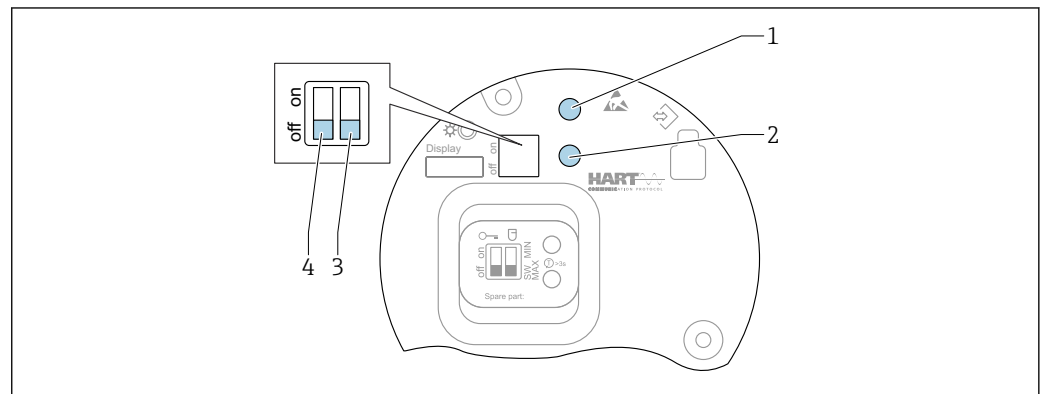
The operating language of the local display (optional) can be selected via the Product Configurator.


If no particular operating language has been selected, the local display is delivered from the factory with English.

The operating language can be changed subsequently via the **Language** parameter.

Local operation

Operating keys and DIP switches on the HART electronic insert



 75 Operating keys and DIP switches on the HART electronic insert

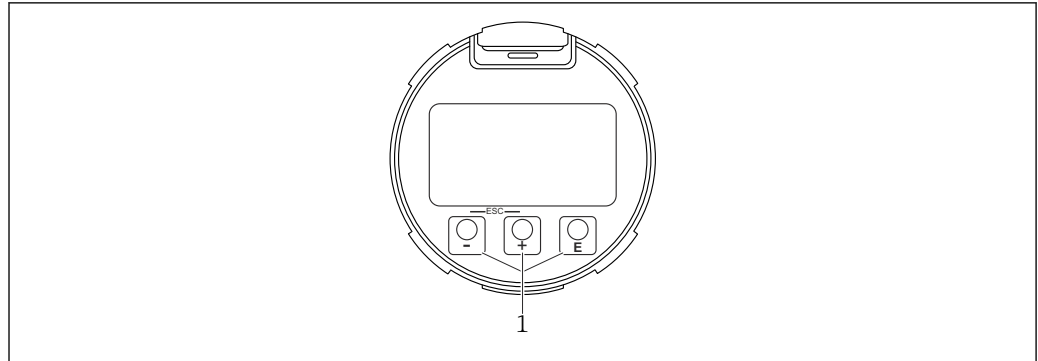
- 1 Operating key for reset password (for Bluetooth login and Maintenance user role)
- 1+2 Operating keys for device reset (as-delivered state)
- 2 Operating key II (only for factory reset)
- 3 DIP switch for alarm current
- 4 DIP switch for locking and unlocking the device

 The setting of the DIP switches on the electronic insert has priority over the settings made via other operation methods (e.g. FieldCare/DeviceCare).


Local display**Device display (optional)**

Functions:

- Display of measured values and fault and notice messages
- Background lighting, which switches from green to red in the event of an error
- The device display can be removed for easier operation



A00392B4


 76 Graphic display with optical operating keys (1)

Remote operation**Via HART protocol****Via service interface (CDI)****Operation via Bluetooth® wireless technology (optional)**

Prerequisite

- Measuring device with display including Bluetooth
- Smartphone or tablet with Endress+Hauser SmartBlue app or PC with DeviceCare from version 1.07.05 or FieldXpert SMT70

The connection has a range of up to 25 m (82 ft). The range can vary depending on environmental conditions such as attachments, walls or ceilings.

 The operating keys on the display are locked as soon as the device is connected via Bluetooth.

System integration**HART**

Version 7

Supported operating tools

Smartphone or tablet with Endress+Hauser SmartBlue app, DeviceCare from version 1.07.05, FieldCare, DTM, AMS and PDM

Certificates and approvals

Current certificates and approvals for the product are available at www.endress.com on the relevant product page:

1. Select the product using the filters and search field.
2. Open the product page.
3. Select **Downloads**.

CE mark

The measuring system meets the legal requirements of the applicable EU directives. These are listed in the corresponding EU Declaration of Conformity together with the standards applied.

The manufacturer confirms successful testing of the device by affixing to it the CE mark.

RoHS

The measuring system meets the substance restrictions of the Directive on the Restriction of the Use of Certain Hazardous Substances 2011/65/EU (RoHS 2) and the Delegated Directive (EU) 2015/863 (RoHS 3).

RCM marking

The supplied product or measuring system meets the ACMA (Australian Communications and Media Authority) requirements for network integrity, interoperability, performance characteristics as well as health and safety regulations. Here, especially the regulatory arrangements for electromagnetic compatibility are met. The products bear the RCM marking on the nameplate.



A0029561

Ex approvals

Additional safety instructions must be followed for use in hazardous areas. Please refer to the separate "Safety Instructions" (XA) document included in the delivery. Reference to the applicable XA can be found on the nameplate.

Explosion-protected smartphones and tablets

If used in hazardous areas, mobile end devices with an Ex approval must be used.

Functional safety

Use for level monitoring (MIN, MAX, range) up to SIL 3 (homogeneous or diverse redundancy), independently evaluated by TÜV Rheinland in accordance with IEC 61508, refer to the "Functional Safety Manual" for information.

Pressure equipment with permitted pressure ≤ 200 bar (2 900 psi)

Pressure instruments with a process connection that does not have a pressurized housing do not fall within the scope of the Pressure Equipment Directive, irrespective of the maximum allowable pressure.

Reasons:

According to Article 2, point 5 of EU Directive 2014/68/EU, pressure accessories are defined as "devices with an operational function and having pressure-bearing housings".

If a pressure instrument does not have a pressure-bearing housing (no identifiable pressure chamber of its own), there is no pressure accessory present within the meaning of the Directive.

Radio approval

Displays with Bluetooth LE have radio licenses according to CE and FCC. The relevant certification information and labels are provided on display.

EN 302729 radio standard

The devices comply with the LPR (Level Probing Radar) radio standard EN 302729.

The devices are approved for unrestricted use inside and outside closed containers in countries of the EU and the EFTA. As a prerequisite, the countries must have already implemented this standard.

The standard is already implemented in the following countries:

Belgium, Bulgaria, Germany, Denmark, Estonia, France, Greece, UK, Ireland, Iceland, Italy, Liechtenstein, Lithuania, Latvia, Malta, The Netherlands, Norway, Austria, Poland, Portugal, Romania, Sweden, Switzerland, Slovakia, Spain, Czech Republic and Cyprus.

Implementation is still underway in all of the countries not listed.


Please note the following for operation of the devices outside of closed vessels:

- Installation must be carried out by properly trained, expert staff
- The device antenna must be installed in a fixed location pointing vertically downwards
- The mounting site must be located at a distance of 4 km (2.49 mi) from the astronomy stations listed below or otherwise approval must be provided by the relevant authority. If a device is installed within a radius of 4 to 40 km (2.49 to 24.86 mi) around one of the listed stations, it must not be installed at a height of more than 15 m (49 ft) above the ground

Astronomy stations

Country	Name of the station	Latitude	Longitude
Germany	Effelsberg	50° 31' 32" North	06° 53' 00" East
Finland	Metsähovi	60° 13' 04" North	24° 23' 37" East
	Tuorla	60° 24' 56" North	24° 26' 31" East

Country	Name of the station	Latitude	Longitude
France	Plateau de Bure	44° 38' 01" North	05° 54' 26" East
	Floirac	44° 50' 10" North	00° 31' 37" West
Great Britain	Cambridge	52° 09' 59" North	00° 02' 20" East
	Damhall	53° 09' 22" North	02° 32' 03" West
	Jodrell Bank	53° 14' 10" North	02° 18' 26" West
	Knockin	52° 47' 24" North	02° 59' 45" West
	Pickmere	53° 17' 18" North	02° 26' 38" West
Italy	Medicina	44° 31' 14" North	11° 38' 49" East
	Noto	36° 52' 34" North	14° 59' 21" East
	Sardinia	39° 29' 50" North	09° 14' 40" East
Poland	Fort Skala Krakow	50° 03' 18" North	19° 49' 36" East
Russia	Dmitrov	56° 26' 00" North	37° 27' 00" East
	Kalyazin	57° 13' 22" North	37° 54' 01" East
	Pushchino	54° 49' 00" North	37° 40' 00" East
	Zelenchukskaya	43° 49' 53" North	41° 35' 32" East
Sweden	Onsala	57° 23' 45" North	11° 55' 35" East
Switzerland	Bleien	47° 20' 26" North	08° 06' 44" East
Spain	Yebes	40° 31' 27" North	03° 05' 22" West
	Robledo	40° 25' 38" North	04° 14' 57" West
Hungary	Penc	47° 47' 22" North	19° 16' 53" East

 As a general rule, the requirements outlined in EN 302729 must be observed.

EN 302372 radio standard


The devices comply with the TLPR (Tanks Level Probing Radar) radio standard EN 302372 and are permitted for use in closed vessels. Points a to f in Annex E of EN 302372 must be observed for the installation.

FCC

This device complies with Part 15 of the FCC rules. Operation is subject to the following two conditions: (1) This device may not cause harmful interference, and (2) this device must accept any interference received, including interference that may cause undesired operation.

[Any] changes or modifications not expressly approved by the party responsible for compliance could void the user's authority to operate the equipment.

The devices are compliant with the FCC Code of Federal Regulations, CFR 47, Part 15, Sections 15.205, 15.207, 15.209.

 In addition, the devices are compliant with Section 15.256. For these LPR (Level Probe Radar) applications the devices must be professionally installed in a downward operating position. In addition, the devices are not allowed to be mounted in a zone of 4 km (2.49 mi) around RAS stations and within a radius of 40 km (24.86 mi) around RAS stations the maximum operation height of devices is 15 m (49 ft) above ground.

Industry Canada

Canada CNR-Gen Section 7.1.3

This device complies with Industry Canada licence-exempt RSS standard(s). Operation is subject to the following two conditions: (1) This device may not interference, and (2) this device must accept any interference, including interference that may cause undesired operation of the device.

Le présent appareil est conforme aux CNR d'Industrie Canada applicables aux appareils radio exempts de licence. L'exploitation est autorisée aux deux conditions suivantes : (1) l'appareil ne doit pas produire de brouillage, et (2) l'utilisateur de l'appareil doit accepter tout brouillage radioélectrique subi, même si le brouillage est susceptible d'en compromettre le fonctionnement.

[Any] changes or modifications not expressly approved by the party responsible for compliance could void the user's authority to operate the equipment.

- The installation of the LPR/TLPR device shall be done by trained installers, in strict compliance with the manufacturer's instructions.
- The use of this device is on a "no-interference, no-protection" basis. That is, the user shall accept operations of high-powered radar in the same frequency band which may interfere with or damage this device. However, devices found to interfere with primary licensing operations will be required to be removed at the user's expense.
- This device shall be installed and operated in a completely enclosed container to prevent RF emissions, which can otherwise interfere with aeronautical navigation.
- The installer/user of this device shall ensure that it is at least 10 km from the Dominion Astrophysical Radio Observatory (DRAO) near Penticton, British Columbia. The coordinates of the DRAO are latitude 49°19'15" N and longitude 119°37'12" W. For devices not meeting this 10 km separation (e.g., those in the Okanagan Valley, British Columbia,) the installer/user must coordinate with, and obtain the written concurrence of, the Director of the DRAO before the equipment can be installed or operated. The Director of the DRAO may be contacted at 250-497-2300 (tel.) or 250-497-2355 (fax). (Alternatively, the Manager, Regulatory Standards Industry Canada, may be contacted.)

Other standards and guidelines

- EN 60529
Degrees of protection provided by enclosures (IP code)
- EN 61010-1
Safety requirements for electrical equipment for measurement, control and laboratory use
- IEC/EN 61326
Emission in accordance with Class A requirements A; Electromagnetic compatibility (EMC requirements)
- NAMUR NE 21
Electromagnetic compatibility (EMC) of industrial process and laboratory control equipment
- NAMUR NE 43
Standardization of the signal level for the breakdown information of digital transmitters with analog output signal
- NAMUR NE 53
Software of field devices and signal-processing devices with digital electronics
- NAMUR NE 107
Status categorization in accordance with NE 107
- NAMUR NE 131
Requirements for field devices for standard applications
- IEC 61508
Functional safety of safety-related electric/electronic/programmable electronic systems

Ordering information

Detailed ordering information is available from your nearest sales organization www.addresses.endress.com or in the Product Configurator at www.endress.com:

1. Select the product using the filters and search field.
2. Open the product page.
3. Select **Configuration**.



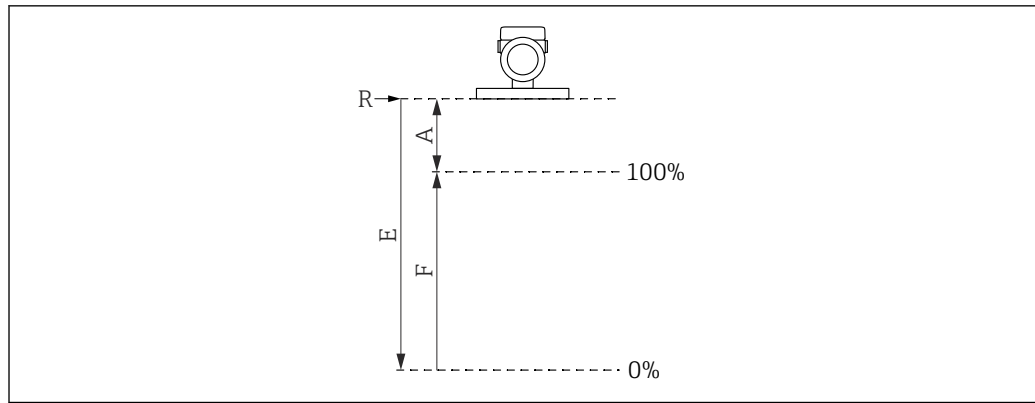
Product Configurator - the tool for individual product configuration

- Up-to-the-minute configuration data
- Depending on the device: direct input of information specific to the measuring point, such as the measuring range or operating language
- Automatic verification of exclusion criteria
- Automatic creation of the order code and its breakdown in PDF or Excel output format
- Ability to order directly in the Endress+Hauser Online Shop

Calibration

Factory calibration certificate

The calibration points are spread evenly over the measuring range (0 to 100 %). The Empty calibration **E** and Full calibration **F** must be specified to define the measuring range. If this information is missing, antenna-dependent default values are used instead.



A0032643

- R Reference point of measurement
 A Minimum distance between reference point R and 100% mark
 E Empty calibration
 F Full calibration

Measuring range restrictions

The following restrictions must be considered when selecting **E** and **F**:

- Minimum distance between reference point **R** and **100%** mark
 $A \geq 400 \text{ mm (16 in)}$
 - Minimum span
 $F \geq 45 \text{ mm (1.77 in)}$
 - Maximum value for Empty calibration
 $E \geq 450 \text{ mm (17.72 in)}$ (maximum 50 m (164 ft))
- i** ▪ Calibration takes place under reference conditions .
 ▪ The selected values for Empty calibration and Full calibration are only used to create the factory calibration certificate. Afterwards, the values are reset to the default values specific for the antenna. If values other than the default values are required, they must be ordered as a customized empty/full calibration.
 Product Configurator → Optional → Service → **Customized empty/full calibration**

Service

The following services, among others, can be selected using the Product Configurator.

- Cleaned of oil+grease (wetted)
- PWIS-free (paint-wetting impairment substances)
i The plastic protective cover is excluded from the PWIS cleaning
- ANSI Safety Red coating, coated housing cover
- Set damping
- Set HART burst mode PV
- Set max. alarm current
- Bluetooth communication is disabled on delivery
- Customized empty/full calibration
- Product documentation on paper
 As an option, test reports, declarations and material test certificates can be ordered as a paper printout using the feature **Service**, format **Product documentation on paper**. The required documents can be selected under the feature **Test, certificate, declaration** and are then included with the device on delivery.

Test, certificate, declaration

All test reports, declarations and inspection certificates are provided electronically in the *Device Viewer*:
 Enter the serial number from the nameplate (www.endress.com/deviceviewer)

Identification

Measuring point (TAG)

The device can be ordered with a tag name.

Location of tag name

In the additional specification, select:

- Stainless steel tag plate
- Paper adhesive label
- TAG provided by customer

- RFID TAG
- RFID TAG + stainless steel tag plate
- RFID TAG + paper adhesive label
- RFID TAG + TAG provided by customer
- IEC 61406 stainless steel TAG
- IEC 61406 stainless steel TAG + NFC TAG
- IEC 61406 stainless steel TAG, stainless steel TAG
- IEC 61406 stainless steel TAG + NFC, stainless steel TAG
- IEC 61406 stainless steel TAG, plate provided
- IEC 61406 stainless steel TAG + NFC, plate provided

Definition of the tag name

In the additional specification, specify:

3 lines with a maximum of 18 characters per line

The specified tag name appears on the selected plate and/or on the RFID tag.

Presentation in the SmartBlue app

The first 32 characters of the tag name

The tag name can always be changed specifically for the measuring point via Bluetooth.

Display in electronic nameplate (ENP)

The first 32 characters of the tag name



For further information, please refer to SD01502F, SD02796P

Available in the Download Area of the Endress+Hauser website (www.endress.com/downloads).

Application packages

Heartbeat Technology

The Heartbeat Verification + Monitoring application package offers diagnostic functionality through continuous self-monitoring, the transmission of additional measured variables to an external Condition Monitoring system and the in-situ verification of devices in the application.

The application package can be ordered together with the device or can be activated subsequently with an activation code. Detailed information on the order code is available via the Endress+Hauser website www.endress.com or from your local Endress+Hauser Sales Center.

Heartbeat Verification

Heartbeat Verification is carried out on request and supplements self-monitoring, which is performed continuously, by carrying out further tests. During verification, the system checks whether the device components comply with the factory specifications. Both the sensor and the electronics modules are included in the tests.

Heartbeat Verification confirms the device function on request within the specified measuring tolerance with a total test coverage TTC (Total Test Coverage) in percent.

Heartbeat Verification meets the requirements for metrological traceability in accordance with ISO 9001 (ISO 9001:2015 Section 7.1.5.2).

The result of the verification is either Passed or Failed. The verification data are saved in the device and optionally archived on a PC with the FieldCare asset management software or in the Netilion Library. Based on this data, a verification report is generated automatically to ensure that traceable documentation of the verification results is available.

Heartbeat Monitoring

Several Heartbeat Monitoring wizards are available. Furthermore, additional monitoring parameters can be displayed and used for predictive maintenance or application optimization.

"Loop diagnostics" wizard

Using this wizard, changes in the current-voltage loop characteristics (baseline) can be used to detect unwanted installation anomalies such as creep currents caused by terminal corrosion or a deteriorating power supply that can lead to an incorrect 4-20 mA measured value.

Areas of application

- Detection of changes in the measuring circuit resistance due to anomalies
Examples: Contact resistance or leakage currents in wiring, terminals or grounding due to corrosion and/or moisture
- Detection of faulty power supply

"Foam detection" wizard

This wizard configures the automatic foam detection.

Foam detection can be linked to an output variable or status information e.g. to control a sprinkler used to dissolve the foam. It is also possible to monitor the foam increase in a so called foam index. The foam index can also be linked to an output variable and can be shown on the display.

Preparation:

The Foam monitoring initialization should only be done without or less foam.

Areas of application

- Measurement in liquids
- Reliable detection of foam on the medium

"Buildup detection" wizard

This wizard configures the build-up detection.

Basic idea:

The build-up detection can, for example, be linked to a compressed-air system to clean the antenna. With the build-up monitoring the maintenance cycles can be optimized.

Preparation:

The build-up monitoring initialization should only be done without or less build-up.

Areas of application

- Measurement in liquids and solids
- Reliable detection of buildup on the antenna

Detailed description

Special Documentation SD02953F

Accessories

The accessories currently available for the product can be selected at www.endress.com:

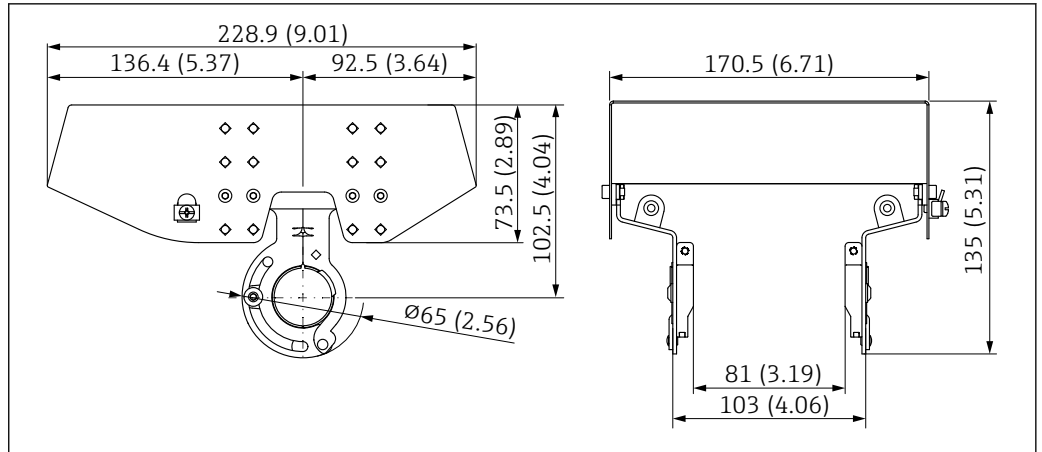
1. Select the product using the filters and search field.
2. Open the product page.
3. Select **Spare parts & Accessories**.

Weather protection cover: 316L, XW112

The weather protection cover can be ordered together with the device via the "Accessory enclosed" product structure.

It is used to protect against direct sunlight, precipitation and ice.

Weather protection cover 316L is suitable for the dual compartment housing made of aluminum or 316L. The delivery includes the holder for direct mounting on the housing.



A0039231

77 Dimensions of weather protection cover, 316 L, XW112. Unit of measurement mm (in)

Material

- Weather protection cover: 316L
- Clamping screw: A4
- Holder: 316L

Accessory order code:

71438303

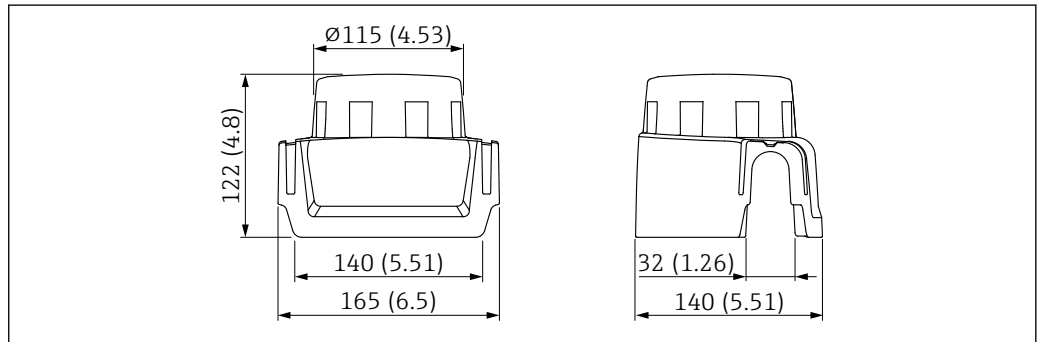
 Special documentation SD02424F

Weather protection cover, plastic, XW111

The weather protection cover can be ordered together with the device via the "Accessory enclosed" product structure.

It is used to protect against direct sunlight, precipitation and ice.

The plastic weather protection cover is suitable for the single compartment housing made of aluminum. The delivery includes the holder for direct mounting on the housing.



A0038280

78 Dimensions of weather protection cover, plastic, XW111. Unit of measurement mm (in)

Material

Plastic

Accessory order code:

71438291

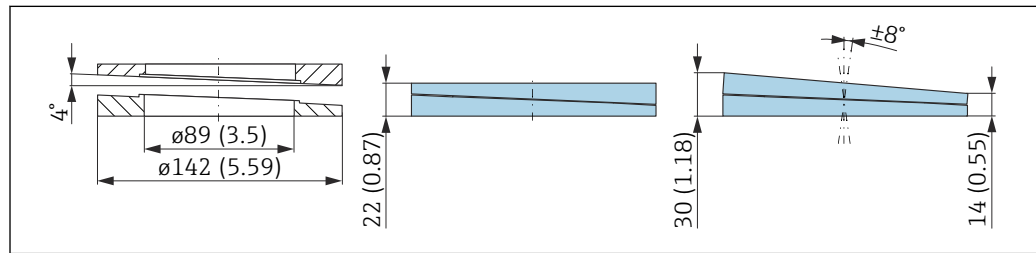
 Special documentation SD02423F

Adjustable flange seal

The adjustable flange seal is used to align the sensor to the surface of the product. It can be ordered directly with the device via the product structure "Accessory enclosed" or individually via the specific order number.

Seal, adjustable, DN80

The seal, adjustable, DN80 is compatible with flanges EN DN80 PN10/PN40

*Technical data*

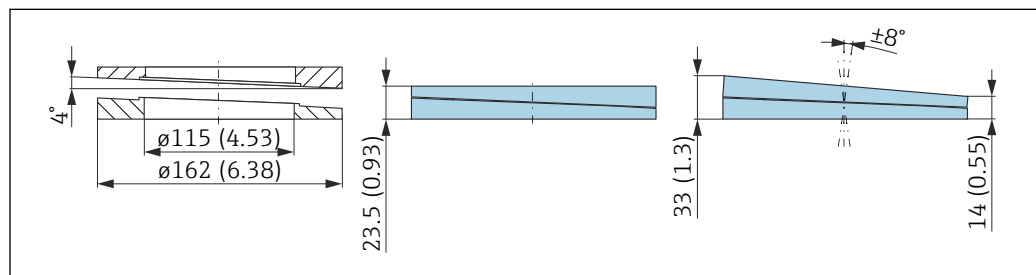
- Material: EPDM
- Recommended screw size: M14
- Recommended screw length: 100 mm (3.9 in)
- Process pressure: -0.1 to 0.1 bar (-1.45 to 1.45 psi)
- Process temperature: -40 to +80 °C (-40 to +176 °F)

Ordering information

- The flange seal can be ordered together with the device via the "Accessory enclosed" product structure.
- Order number: 71074263

Seal, adjustable, DN100

The seal, adjustable, DN100 is compatible with flanges EN DN100 PN10/PN16

*Technical data*

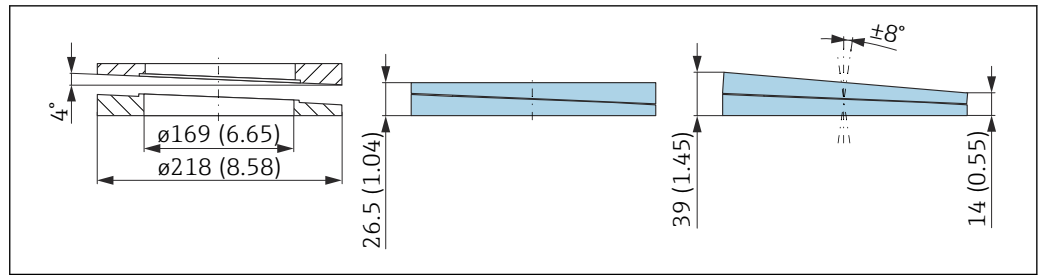
- Material: EPDM
- Recommended screw size: M14
- Recommended screw length: 100 mm (3.9 in)
- Process pressure: -0.1 to 0.1 bar (-1.45 to 1.45 psi)
- Process temperature: -40 to +80 °C (-40 to +176 °F)

Ordering information

- The flange seal can be ordered together with the device via the "Accessory enclosed" product structure.
- Order number: 71074264

Seal, adjustable, DN150

The seal, adjustable, DN150 is compatible with flanges EN DN150 PN10/PN19



A0046697

Technical data

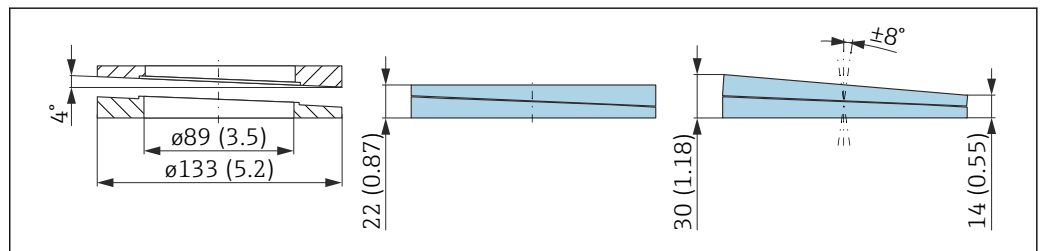
- Material: EPDM
- Recommended screw size: M18
- Recommended screw length: 110 mm (4.3 in)
- Process pressure: -0.1 to 0.1 bar (-1.45 to 1.45 psi)
- Process temperature: -40 to +80 °C (-40 to +176 °F)

Ordering information

- The flange seal can be ordered together with the device via the "Accessory enclosed" product structure.
- Order number: 71074265

Seal, adjustable, ASME 3"/ JIS 80A

The seal, adjustable, ASME 3"/ JIS 80A is compatible with flanges ASME 3" 150 lbs and JIS 80A 10K



A0046698

Technical data

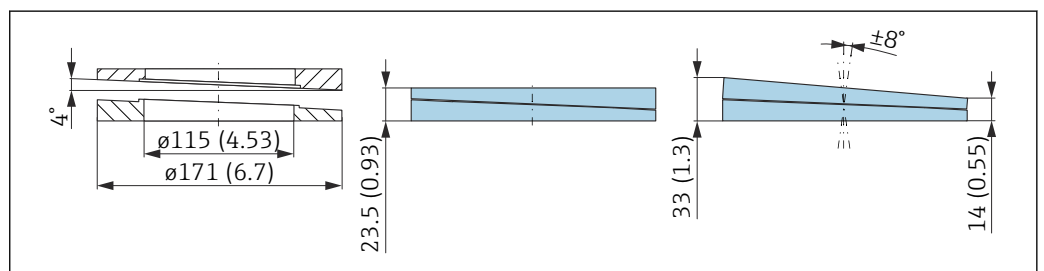
- Material: EPDM
- Recommended screw size: M14
- Recommended screw length: 100 mm (3.9 in)
- Process pressure: -0.1 to 0.1 bar (-1.45 to 1.45 psi)
- Process temperature: -40 to +80 °C (-40 to +176 °F)

Ordering information

- The flange seal can be ordered together with the device via the "Accessory enclosed" product structure.
- Order number: 71249070

Seal, adjustable, ASME 4"

The seal, adjustable, ASME 4" is compatible with flanges ASME 4" 150 lbs



A0046699

Technical data

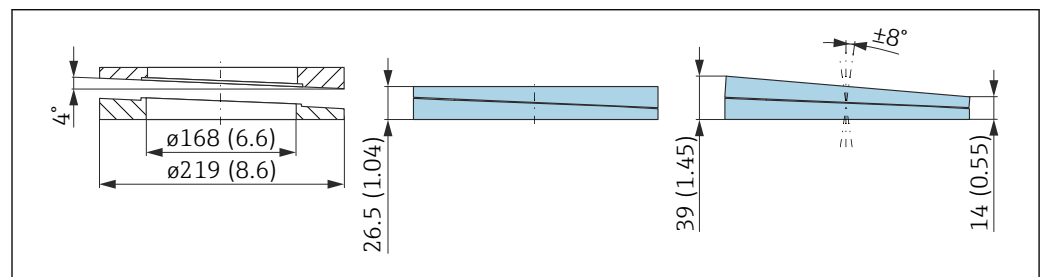
- Material: EPDM
- Recommended screw size: M14
- Recommended screw length: 100 mm (3.9 in)
- Process pressure: -0.1 to 0.1 bar (-1.45 to 1.45 psi)
- Process temperature: -40 to +80 °C (-40 to +176 °F)

Ordering information

- The flange seal can be ordered together with the device via the "Accessory enclosed" product structure.
- Order number: 71249072

Seal, adjustable, ASME 6"/ JIS 150A

The seal, adjustable, ASME 6"/ JIS 150A is compatible with flanges ASME 6" 150 lbs and JIS 150A 10K



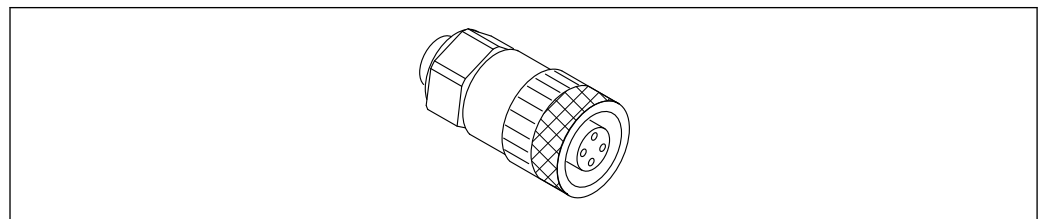
A0046700

Technical data

- Material: EPDM
- Recommended screw size: M18
- Recommended screw length: 100 mm (3.9 in)
- Process pressure: -0.1 to 0.1 bar (-1.45 to 1.45 psi)
- Process temperature: -40 to +80 °C (-40 to +176 °F)

Ordering information

- The flange seal can be ordered together with the device via the "Accessory enclosed" product structure.
- Order number: 71249073

M12 plug-in jack**M12 socket, cable side**

A0051231

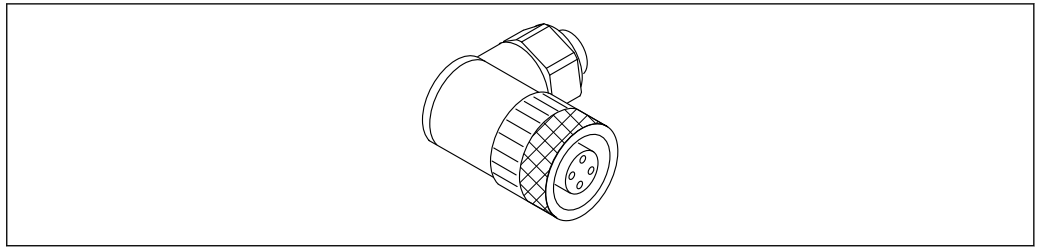
79 M12 socket, cable side

- Material:
 - Body: PBT
 - Union nut: nickel-plated die-cast zinc
 - Seal: NBR
- Degree of protection (fully locked): IP67
- Pg coupling: Pg7
- Order code: 52006263



Special documentation SD02586F


M12 socket, 90deg, cable side



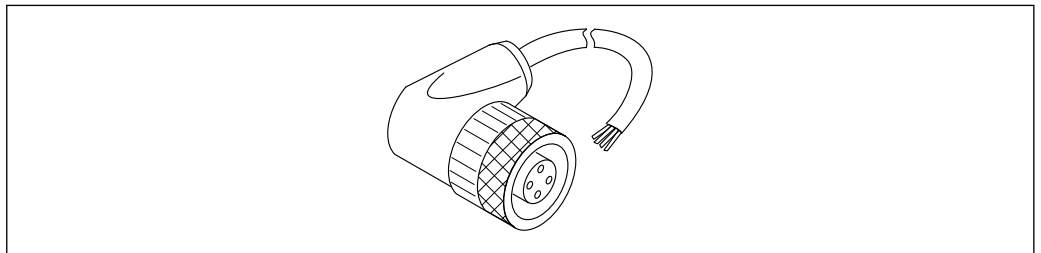
A0051232

80 M12 socket, angled

- Material:
 - Body: PBT
 - Union nut: nickel-plated die-cast zinc
 - Seal: NBR
- Degree of protection (fully locked): IP67
- Pg coupling: Pg7
- Order code: 71114212

 Special documentation SD02586F

M12 socket, 100deg, 5 m (16 ft) cable



A0051233

81 M12 socket, 100deg, 5 m (16 ft) cable

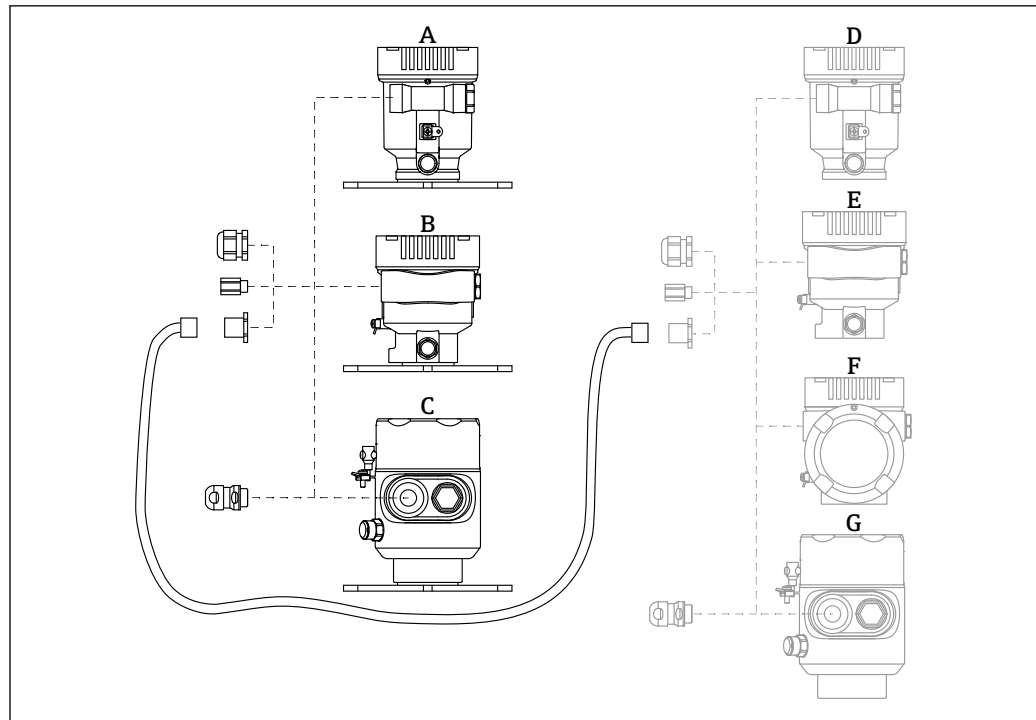
- M12 socket material:
 - Body: TPU
 - Union nut: nickel-plated die-cast zinc
- Cable material:
 - PVC
- Cable Li Y YM 4×0.34 mm² (20 AWG)
- Cable colors
 - 1 = BN = brown
 - 2 = WH = white
 - 3 = BU = blue
 - 4 = BK = black
- Order code: 52010285

 Special documentation SD02586F

Remote display FHX50B

The remote display is ordered via the Product Configurator.

If the remote display is to be used, the device version **Prepared for display FHX50B** must be ordered.



A0046692

- A Single compartment housing, plastic, remote display
 B Single compartment housing, aluminum, remote display
 C Single-compartment housing, 316L hygiene, remote display
 D Device side, single compartment housing, plastic, prepared for FHX50B display
 E Device side, single compartment housing, aluminum, prepared for FHX50B display
 F Device side, dual compartment housing, L-shaped, prepared for FHX50B display
 G Device side, single compartment housing, 316 L hygiene, prepared for FHX50B display

Single compartment housing material, remote display

- Aluminum
- Plastic

Degree of protection:

- IP68 / NEMA 6P
- IP66 / NEMA 4x

Connecting cable:

- Connecting cable (option) up to 30 m (98 ft)
- Standard cable supplied by customer up to 60 m (197 ft)
 Recommendation: EtherLine®-P CAT.5e from LAPP.

Specification of customer-supplied connecting cable

Push-in CAGE CLAMP® connection technology, push actuation

- Conductor cross-section:
 - Solid conductor 0.2 to 0.75 mm² (24 to 18 AWG)
 - Fine-stranded conductor 0.2 to 0.75 mm² (24 to 18 AWG)
 - Fine-stranded conductor; with insulated ferrule 0.25 to 0.34 mm²
 - Fine-stranded conductor; without insulated ferrule 0.25 to 0.34 mm²
- Stripping length 7 to 9 mm (0.28 to 0.35 in)
- Outer diameter: 6 to 10 mm (0.24 to 0.4 in)
- Maximum cable length: 60 m (197 ft)

Ambient temperature:

- -40 to +80 °C (-40 to +176 °F)
- Option: -50 to +80 °C (-58 to +176 °F)













Special documentation SD02991F

Gas-tight feedthrough


Chemically inert glass feedthrough, which prevents gases from entering the electronics housing.

Can optionally be ordered as "Accessory mounted" via the product structure.

Commubox FXA195 HART	For intrinsically safe HART communication with FieldCare via the USB interface
	 Technical Information TI00404F
HART loop converter HMX50	Is used to evaluate and convert dynamic HART process variables to analog current signals or limit values.
	Order number: 71063562
	 Technical Information TI00429F and Operating Instructions BA00371F
FieldPort SWA50	Intelligent Bluetooth® and/or WirelessHART adapter for all HART field devices
	 Technical Information TI01468S
Wireless HART adapter SWA70	The WirelessHART adapter is used for the wireless connection of field devices. It can be easily integrated into field devices and existing infrastructures, offers data protection and transmission safety and can be operated in parallel with other wireless networks.
	 Operating Instructions BA00061S
Fieldgate FXA42	Fieldgates enable communication between connected 4 to 20 mA, Modbus RS485 and Modbus TCP devices and SupplyCare Hosting or SupplyCare Enterprise. The signals are transmitted either via Ethernet TCP/IP, WLAN or cellular radio (UMTS). Advanced automation capabilities are available, such as an integrated Web-PLC, OpenVPN and other functions.
	 Technical Information TI01297S and Operating Instructions BA01778S
Field Xpert SMT70	Universal, high-performance tablet PC for device configuration in Ex Zone 2 and non-Ex areas
	 Technical Information TI01342S
DeviceCare SFE100	Configuration tool for HART, PROFIBUS and FOUNDATION Fieldbus field devices
	 Technical Information TI01134S
FieldCare SFE500	FDT-based plant asset management tool
	It can configure all smart field units in your system and helps you manage them. By using the status information, it is also a simple but effective way of checking their status and condition.
	 Technical Information TI00028S
Memograph M RSG45	The Advanced Data Manager is a flexible and powerful system for organizing process values.
	The Memograph M is used for electronic acquisition, display, recording, analysis, remote transmission and archiving of analog and digital input signals as well as calculated values.
	 Technical Information TI01180R and Operating Instructions BA01338R
RN42	Single-channel active barrier with wide-range power supply for safe electrical isolation of 4 to 20 mA standard signal circuits, HART transparent.
	 Technical Information TI01584K and Operating Instructions BA02090K

Documentation

The following document types are available in the Downloads area of the Endress+Hauser website (www.endress.com/downloads), depending on the device version:

Document type	Purpose and content of the document
Technical Information (TI)	Planning aid for your device The document contains all the technical data on the device and provides an overview of the accessories and other products that can be ordered for the device.
Brief Operating Instructions (KA)	Guide that takes you quickly to the 1st measured value The Brief Operating Instructions contain all the essential information from incoming acceptance to initial commissioning.
Operating Instructions (BA)	Your reference document The Operating Instructions contain all the information that is required in various phases of the life cycle of the device: from product identification, incoming acceptance and storage, to mounting, connection, operation and commissioning through to troubleshooting, maintenance and disposal.
Description of Device Parameters (GP)	Reference for your parameters The document provides a detailed explanation of each individual parameter. The description is aimed at those who work with the device over the entire life cycle and perform specific configurations.
Safety instructions (XA)	Depending on the approval, safety instructions for electrical equipment in hazardous areas are also supplied with the device. These are an integral part of the Operating Instructions.  The nameplate indicates which Safety Instructions (XA) apply to the device.
Supplementary device-dependent documentation (SD/FY)	Always comply strictly with the instructions in the relevant supplementary documentation. The supplementary documentation is a constituent part of the device documentation.

Registered trademarks

HART®

Registered trademark of the FieldComm Group, Austin, Texas, USA

Bluetooth®

The *Bluetooth*® word mark and logos are registered trademarks owned by the Bluetooth SIG, Inc. and any use of such marks by Endress+Hauser is under license. Other trademarks and trade names are those of their respective owners.

Apple®

Apple, the Apple logo, iPhone, and iPod touch are trademarks of Apple Inc., registered in the U.S. and other countries. App Store is a service mark of Apple Inc.

Android®

Android, Google Play and the Google Play logo are trademarks of Google Inc.

KALREZ®, VITON®

Registered trademarks of DuPont Performance Elastomers L.L.C., Wilmington, DE USA



71685561

www.addresses.endress.com
