

# Operating Instructions

## Micropilot FMR60B

### PROFIBUS PA

Free-space radar





A0023555

- Make sure the document is stored in a safe place such that it is always available when working on or with the device
- Avoid danger to individuals or the facility: read the "Basic safety instructions" section carefully, as well as all other safety instructions in the document that are specific to working procedures

The manufacturer reserves the right to modify technical data without prior notice. The Endress+Hauser sales organization will supply you with current information and updates to these instructions.

## Table of contents

<b>1</b>	<b>About this document</b> . . . . .	<b>5</b>		
1.1	Purpose of this document . . . . .	5		
1.2	Symbols . . . . .	5		
1.2.1	Safety symbols . . . . .	5		
1.2.2	Symbols for certain types of information and graphics . . . . .	5		
1.3	List of abbreviations . . . . .	6		
1.4	Documentation . . . . .	6		
1.5	Registered trademarks . . . . .	6		
<b>2</b>	<b>Basic safety instructions</b> . . . . .	<b>8</b>		
2.1	Requirements for the personnel . . . . .	8		
2.2	Intended use . . . . .	8		
2.3	Workplace safety . . . . .	9		
2.4	Operational safety . . . . .	9		
2.5	Product safety . . . . .	9		
2.6	IT security . . . . .	9		
2.7	Device-specific IT security . . . . .	9		
<b>3</b>	<b>Product description</b> . . . . .	<b>10</b>		
3.1	Product design . . . . .	10		
<b>4</b>	<b>Incoming acceptance and product identification</b> . . . . .	<b>11</b>		
4.1	Incoming acceptance . . . . .	11		
4.2	Product identification . . . . .	11		
4.2.1	Nameplate . . . . .	11		
4.2.2	Manufacturer address . . . . .	12		
4.3	Storage and transport . . . . .	12		
4.3.1	Storage conditions . . . . .	12		
4.3.2	Transporting the product to the measuring point . . . . .	12		
<b>5</b>	<b>Installation</b> . . . . .	<b>13</b>		
5.1	General instructions . . . . .	13		
5.2	Installation requirements . . . . .	13		
5.2.1	Internal vessel fittings . . . . .	13		
5.2.2	Avoiding interference echoes . . . . .	14		
5.2.3	Vertical alignment of antenna axis . . . . .	14		
5.2.4	Radial alignment of the antenna . . . . .	14		
5.2.5	Optimization options . . . . .	14		
5.3	Mounting the device . . . . .	14		
5.3.1	Encapsulated antenna, PVDF 40 mm (1.5 in) . . . . .	14		
5.3.2	PTFE drip-off antenna 50 mm (2 in) . . . . .	15		
5.3.3	Integrated antenna, PEEK 20 mm (0.75 in) . . . . .	16		
5.3.4	Integrated antenna, PEEK 40 mm (1.5 in) . . . . .	16		
5.3.5	Turning the housing . . . . .	17		
5.3.6	Turning the display module . . . . .	17		
5.3.7	Changing the installation position of the display module . . . . .	18		
5.3.8	Closing the housing covers . . . . .	20		
5.4	Post-mounting check . . . . .	20		
<b>6</b>	<b>Electrical connection</b> . . . . .	<b>21</b>		
6.1	Connecting requirements . . . . .	21		
6.1.1	Cover with securing screw . . . . .	21		
6.1.2	Potential equalization . . . . .	21		
6.2	Connecting the device . . . . .	22		
6.2.1	Supply voltage . . . . .	22		
6.2.2	Cable specification . . . . .	23		
6.2.3	Overvoltage protection . . . . .	23		
6.2.4	Wiring . . . . .	24		
6.2.5	Terminal assignment . . . . .	25		
6.2.6	Cable entries . . . . .	26		
6.2.7	Available device plugs . . . . .	26		
6.3	Ensuring the degree of protection . . . . .	26		
6.3.1	Cable entries . . . . .	26		
6.4	Post-connection check . . . . .	27		
<b>7</b>	<b>Operation options</b> . . . . .	<b>28</b>		
7.1	Overview of operation options . . . . .	28		
7.2	Operating keys and DIP switches on the PROFIBUS PA electronic insert . . . . .	28		
7.2.1	Hardware addressing . . . . .	28		
7.2.2	Software addressing . . . . .	29		
7.3	Structure and function of the operating menu . . . . .	29		
7.3.1	User roles and related access authorization . . . . .	29		
7.4	Access to operating menu via local display . . . . .	29		
7.4.1	Device display (optional) . . . . .	29		
7.4.2	Operation via Bluetooth® wireless technology (optional) . . . . .	30		
7.5	Access to the operating menu via the operating tool . . . . .	31		
7.6	DeviceCare . . . . .	31		
7.6.1	Function scope . . . . .	31		
7.7	FieldCare . . . . .	32		
7.7.1	Function range . . . . .	32		
<b>8</b>	<b>System integration</b> . . . . .	<b>33</b>		
8.1	Protocol-specific data . . . . .	33		
8.1.1	PROFIBUS PA . . . . .	33		
8.2	Device master file (GSD) . . . . .	34		
8.2.1	Manufacturer-specific GSD . . . . .	34		
8.2.2	Profile GSD . . . . .	34		
8.2.3	Compatibility with other devices . . . . .	35		
8.3	Cyclic data transmission . . . . .	35		
8.3.1	Block model . . . . .	35		
8.3.2	Description of the modules . . . . .	36		

<b>9</b>	<b>Commissioning</b> .....	<b>39</b>		
9.1	Preliminaries .....	39		
9.2	Installation and function check .....	39		
9.3	Connecting via FieldCare and DeviceCare ....	39		
9.3.1	Via PROFIBUS PA protocol .....	39		
9.3.2	Via service interface (CDI) .....	40		
9.4	Setting the operating language .....	40		
9.4.1	Local display .....	40		
9.4.2	Operating tool .....	40		
9.5	Configuring the device .....	41		
9.5.1	Level measurement in liquids .....	41		
9.5.2	Commissioning with the Commissioning wizard .....	41		
9.6	Recording the Echo curve .....	41		
9.7	"Simulation" submenu .....	42		
<b>10</b>	<b>Operation</b> .....	<b>43</b>		
10.1	Reading off the device locking status .....	43		
10.2	Reading off measured values .....	43		
10.3	Adapting the device to process conditions ....	43		
10.4	Heartbeat Technology (optional) .....	43		
10.4.1	Heartbeat Verification .....	43		
10.4.2	Heartbeat Verification/Monitoring ..	43		
<b>11</b>	<b>Diagnostics and troubleshooting</b> ...	<b>44</b>		
11.1	General troubleshooting .....	44		
11.1.1	General errors .....	44		
11.2	Error - SmartBlue operation .....	44		
11.3	Diagnostic message .....	45		
11.3.1	Diagnostic information on local display .....	46		
11.3.2	Diagnostic information in the operating tool .....	46		
11.3.3	Status signal .....	46		
11.3.4	Diagnostic event and event text ....	47		
11.4	Remedy information Calling up .....	47		
11.4.1	Graphic display with keys .....	47		
11.4.2	Operating menu .....	48		
11.5	Adapting the diagnostic information .....	48		
11.6	List of diagnostic events .....	48		
11.7	Event logbook .....	50		
11.7.1	Event history .....	50		
11.7.2	Filtering the event logbook .....	51		
11.7.3	Overview of information events ....	51		
11.8	Resetting the device .....	52		
11.8.1	Reset password via operating tool ...	52		
11.8.2	Reset device via operating tool ....	52		
11.8.3	Resetting the device via keys on the electronic insert .....	52		
11.9	Device information .....	53		
11.10	Firmware history .....	53		
<b>12</b>	<b>Maintenance</b> .....	<b>53</b>		
12.1	Cleaning .....	54		
12.1.1	Cleaning of surfaces not in contact with the medium .....	54		
12.1.2	Cleaning of surfaces in contact with the medium .....	54		
12.2	Seals .....	54		
<b>13</b>	<b>Repair</b> .....	<b>55</b>		
13.1	General information .....	55		
13.1.1	Repair concept .....	55		
13.1.2	Repairs to Ex-approved devices ....	55		
13.2	Spare parts .....	55		
13.3	Replacement .....	55		
13.3.1	HistoROM .....	55		
13.4	Return .....	56		
13.5	Disposal .....	56		
<b>14</b>	<b>Accessories</b> .....	<b>57</b>		
14.1	Weather protection cover: 316L, XW112 ....	57		
14.2	Weather protection cover, plastic, XW111 ...	57		
14.3	Mounting bracket adjustable, FMR6xB .....	58		
14.3.1	Dimensions .....	59		
14.3.2	Scope of delivery .....	59		
14.4	Remote display FHX50B .....	59		
14.5	Gas-tight feedthrough .....	61		
14.6	Field Xpert SMT70 .....	61		
14.7	DeviceCare SFE100 .....	61		
14.8	FieldCare SFE500 .....	61		
14.9	RID14 .....	61		
14.10	RID16 .....	62		
14.11	Fieldgate SFG500 .....	62		
<b>15</b>	<b>Technical data</b> .....	<b>64</b>		
15.1	Input .....	64		
15.2	Output .....	70		
15.3	Environment .....	72		
15.4	Process .....	85		
<b>Index</b>	.....	<b>88</b>		

# 1 About this document

## 1.1 Purpose of this document

These Operating Instructions contain all the information that is required in the various phases of the life cycle of the device: from product identification, incoming acceptance and storage, to mounting, connection, operation and commissioning through to troubleshooting, maintenance and disposal.

## 1.2 Symbols

### 1.2.1 Safety symbols

#### **DANGER**

This symbol alerts you to a dangerous situation. Failure to avoid this situation will result in serious or fatal injury.

#### **WARNING**

This symbol alerts you to a dangerous situation. Failure to avoid this situation can result in serious or fatal injury.

#### **CAUTION**

This symbol alerts you to a dangerous situation. Failure to avoid this situation can result in minor or medium injury.

#### **NOTICE**

This symbol contains information on procedures and other facts which do not result in personal injury.

### 1.2.2 Symbols for certain types of information and graphics

#### **Permitted**

Procedures, processes or actions that are permitted

#### **Forbidden**

Procedures, processes or actions that are forbidden

#### **Tip**

Indicates additional information



Reference to documentation



Reference to page



Reference to graphic



Notice or individual step to be observed

**1, 2, 3**

Series of steps



Result of a step

**1, 2, 3, ...**

Item numbers

**A, B, C, ...**

Views

## 1.3 List of abbreviations

### MWP

Maximum working pressure

The MWP is indicated on the nameplate.

### $\epsilon_r$ (Dk value)

Relative dielectric constant


### PLC

Programmable logic controller (PLC)

### CDI


Common Data Interface

## 1.4 Documentation

 For an overview of the scope of the associated Technical Documentation, refer to the following:

- *Device Viewer* ([www.endress.com/deviceviewer](http://www.endress.com/deviceviewer)): Enter the serial number from the nameplate
- *Endress+Hauser Operations app*: Enter serial number from nameplate or scan matrix code on nameplate.

The following document types are available in the Downloads area of the Endress+Hauser website ([www.endress.com/downloads](http://www.endress.com/downloads)), depending on the device version:

Document type	Purpose and content of the document
Technical Information (TI)	<b>Planning aid for your device</b> The document contains all the technical data on the device and provides an overview of the accessories and other products that can be ordered for the device.
Brief Operating Instructions (KA)	<b>Guide that takes you quickly to the 1st measured value</b> The Brief Operating Instructions contain all the essential information from incoming acceptance to initial commissioning.
Operating Instructions (BA)	<b>Your reference document</b> The Operating Instructions contain all the information that is required in various phases of the life cycle of the device: from product identification, incoming acceptance and storage, to mounting, connection, operation and commissioning through to troubleshooting, maintenance and disposal.
Description of Device Parameters (GP)	<b>Reference for your parameters</b> The document provides a detailed explanation of each individual parameter. The description is aimed at those who work with the device over the entire life cycle and perform specific configurations.
Safety instructions (XA)	Depending on the approval, safety instructions for electrical equipment in hazardous areas are also supplied with the device. These are an integral part of the Operating Instructions.  The nameplate indicates which Safety Instructions (XA) apply to the device.
Supplementary device-dependent documentation (SD/FY)	Always comply strictly with the instructions in the relevant supplementary documentation. The supplementary documentation is a constituent part of the device documentation.

## 1.5 Registered trademarks

### PROFIBUS®

PROFIBUS and the associated trademarks (The Association Trademark, the Technology Trademarks, the Certification Trademark and the Certified by PI Trademark) are registered

trademarks of the PROFIBUS User Organization e.V. (Profibus User Organization), Karlsruhe - Germany

**Bluetooth®**

The *Bluetooth*® word mark and logos are registered trademarks owned by the Bluetooth SIG, Inc. and any use of such marks by Endress+Hauser is under license. Other trademarks and trade names are those of their respective owners.

**Apple®**

Apple, the Apple logo, iPhone, and iPod touch are trademarks of Apple Inc., registered in the U.S. and other countries. App Store is a service mark of Apple Inc.

**Android®**

Android, Google Play and the Google Play logo are trademarks of Google Inc.

**KALREZ®, VITON®**

Registered trademarks of DuPont Performance Elastomers L.L.C., Wilmington, DE USA

## 2 Basic safety instructions

### 2.1 Requirements for the personnel

The personnel for installation, commissioning, diagnostics and maintenance must fulfill the following requirements:

- ▶ Trained, qualified specialists must have a relevant qualification for this specific function and task.
- ▶ Are authorized by the plant owner/operator.
- ▶ Are familiar with federal/national regulations.
- ▶ Before starting work, read and understand the instructions in the manual and supplementary documentation as well as the certificates (depending on the application).
- ▶ Follow instructions and comply with basic conditions.

The operating personnel must fulfill the following requirements:

- ▶ Are instructed and authorized according to the requirements of the task by the facility's owner-operator.
- ▶ Follow the instructions in this manual.

### 2.2 Intended use

#### Application and media

The measuring device described in these Operating Instructions is intended for continuous, non-contact level measurement in liquids, pastes and sludges. Due to its operating frequency of approx. 80 GHz, a maximum radiated peak power of <1.5 mW and an average output power of <70  $\mu$ W, unrestricted use outside of closed, metallic vessels is also permitted (for example over basins or open channels). Operation does not pose any danger whatsoever to humans and animals.

If the limit values specified in the "Technical data" and the conditions listed in the instructions and additional documentation are observed, the measuring device may be used only for the following measurements:

- ▶ Measured process variables: level, distance, signal strength
- ▶ Calculated process variables: volume or mass in vessels of any shape; flow rate through measuring weirs or channels (calculated based on the level using the linearization functionality)

To ensure that the measuring device remains in proper condition for the operation time:

- ▶ Use the measuring device only for media to which the process-wetted materials are sufficiently resistant.
- ▶ Observe the limit values in the "Technical data".

#### Incorrect use

The manufacturer is not liable for damage caused by improper or non-intended use.

Avoid mechanical damage:

- ▶ Do not touch or clean device surfaces with pointed or hard objects.

Clarification of borderline cases:

- ▶ For special fluids and fluids for cleaning, Endress+Hauser is glad to provide assistance in verifying the corrosion resistance of fluid-wetted materials, but does not accept any warranty or liability.

#### Residual risks

Due to heat transfer from the process as well as power loss in the electronics, the temperature of the electronics housing and the assemblies it contains (e.g. display module, main electronics module and I/O electronics module) may rise to 80 °C (176 °F). When in operation, the sensor can reach a temperature close to the medium temperature.



Danger of burns from contact with surfaces!

- ▶ In the event of elevated fluid temperatures, ensure protection against contact to prevent burns.

## 2.3 Workplace safety

When working on and with the device:

- ▶ Wear the required personal protective equipment according to federal/national regulations.
- ▶ Switch off the supply voltage before connecting the device.

## 2.4 Operational safety

Damage to the device!

- ▶ Operate the device in proper technical condition and fail-safe condition only.
- ▶ The operator is responsible for the interference-free operation of the device.

### Modifications to the device

Unauthorized modifications to the device are not permitted and can lead to unforeseeable dangers!

- ▶ If modifications are nevertheless required, consult with the manufacturer.

### Repair

To ensure continued operational safety and reliability:

- ▶ Carry out repairs on the device only if they are expressly permitted.
- ▶ Observe federal/national regulations pertaining to the repair of an electrical device.
- ▶ Use only original spare parts and accessories.

## 2.5 Product safety

This measuring device is designed in accordance with good engineering practice to meet state-of-the-art safety requirements, has been tested, and left the factory in a condition in which it is safe to operate.

It meets general safety standards and legal requirements. It also complies with the EU directives listed in the device-specific EU Declaration of Conformity. The manufacturer confirms this by affixing the CE mark to the device.

## 2.6 IT security

The manufacturer warranty is valid only if the product is installed and used as described in the Operating Instructions. The product is equipped with security mechanisms to protect it against any inadvertent changes to the settings.

IT security measures, which provide additional protection for the product and associated data transfer, must be implemented by the operators themselves in line with their security standards.

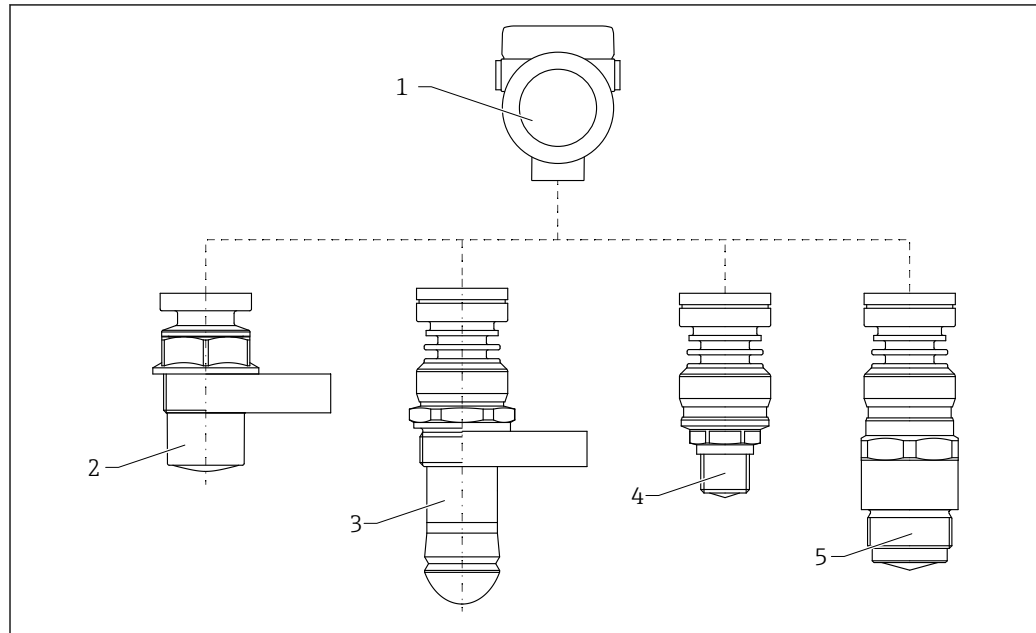
## 2.7 Device-specific IT security

The device offers specific functions to support protective measures by the operator. These functions can be configured by the user and guarantee greater in-operation safety if used correctly. An overview of the most important functions is provided in the following section:

- Write protection via hardware write protection switch
- Access code (applies for operation via display, Bluetooth or FieldCare, DeviceCare, PDM)

## 3 Product description

### 3.1 Product design



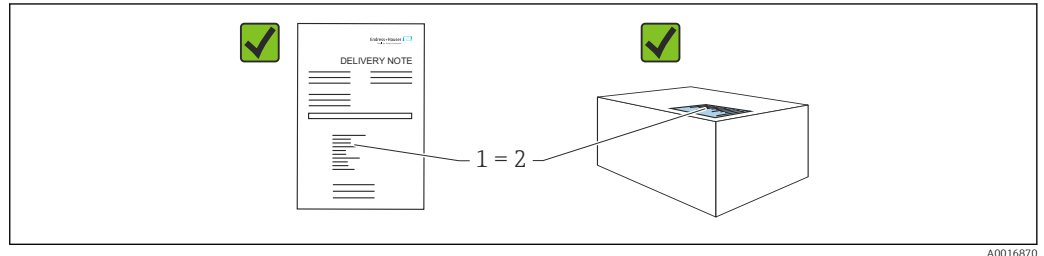
A0046661

1 Design of the Micropilot FMR60B

- 1 Electronics housing
- 2 Encapsulated antenna, PVDF, 40 mm (1.5 in)
- 3 Drip-off antenna 50 mm (2 in) - threaded or UNI flange process connection
- 4 Integrated antenna, PEEK, 20 mm (0.75 in)
- 5 Integrated antenna, PEEK, 40 mm (1.5 in)

## 4 Incoming acceptance and product identification

### 4.1 Incoming acceptance



Check the following during incoming acceptance:

- Is the order code on the delivery note (1) identical to the order code on the product sticker (2)?
- Are the goods undamaged?
- Do the data on the nameplate correspond to the order specifications and the delivery note?
- Is the documentation provided?
- If required (see nameplate): are the Safety Instructions (XA) provided?



If one of these conditions is not met, please contact the manufacturer's sales office.

### 4.2 Product identification

The following options are available for identification of the device:

- Nameplate specifications
- Extended order code with breakdown of the device features on the delivery note
- ▶ *Device Viewer* ([www.endress.com/deviceviewer](http://www.endress.com/deviceviewer)); manually enter the serial number from the nameplate.
  - ↳ All the information about the measuring device is displayed.
- ▶ *Endress+Hauser Operations app*; manually enter the serial number indicated on the nameplate or scan the 2D matrix code on the nameplate.
  - ↳ All the information about the measuring device is displayed.

#### 4.2.1 Nameplate

**Do you have the correct device?**

The nameplate provides you with the following information on the device:

- Manufacturer identification, device designation
- Order code
- Extended order code
- Serial number
- Tag name (TAG) (optional)
- Technical values, e.g. supply voltage, current consumption, ambient temperature, communication-specific data (optional)
- Degree of protection
- Approvals with symbols
- Reference to Safety Instructions (XA) (optional)
- ▶ Compare the information on the nameplate with the order.

## 4.2.2 Manufacturer address

Endress+Hauser SE+Co. KG  
Hauptstraße 1  
79689 Maulburg, Germany  
Place of manufacture: See nameplate.

## 4.3 Storage and transport

### 4.3.1 Storage conditions

- Use the original packaging
- Store the device in clean and dry conditions and protect from damage caused by shocks

#### Storage temperature range

See Technical Information.

### 4.3.2 Transporting the product to the measuring point

#### **WARNING**

##### **Incorrect transport!**

The housing or sensor can be damaged or pull off. Risk of injury!

- ▶ Transport the device to the measuring point in its original packaging or by the process connection.
- ▶ Always secure lifting equipment (slings, eyes, etc.) at the process connection and never lift the device by the electronic housing or sensor. Pay attention to the center of gravity of the device so that it does not tilt or slip unintentionally.

## 5 Installation

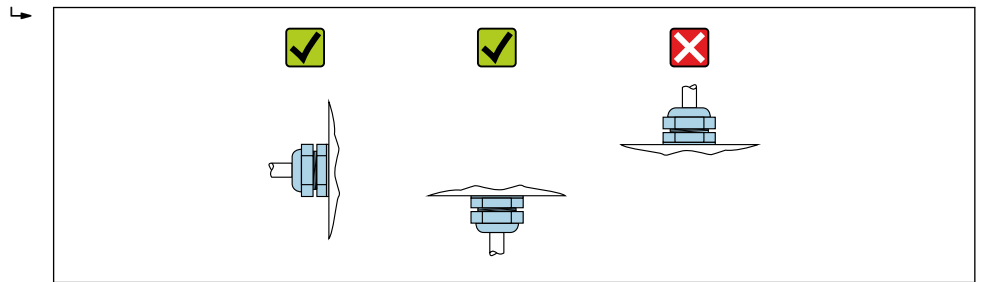
### 5.1 General instructions

#### **⚠ WARNING**

**Loss of protection rating if the device is opened in a wet environment.**

- ▶ Only open the device in a dry environment!

1. Install the device or turn the housing so that the cable entries do not point upwards.

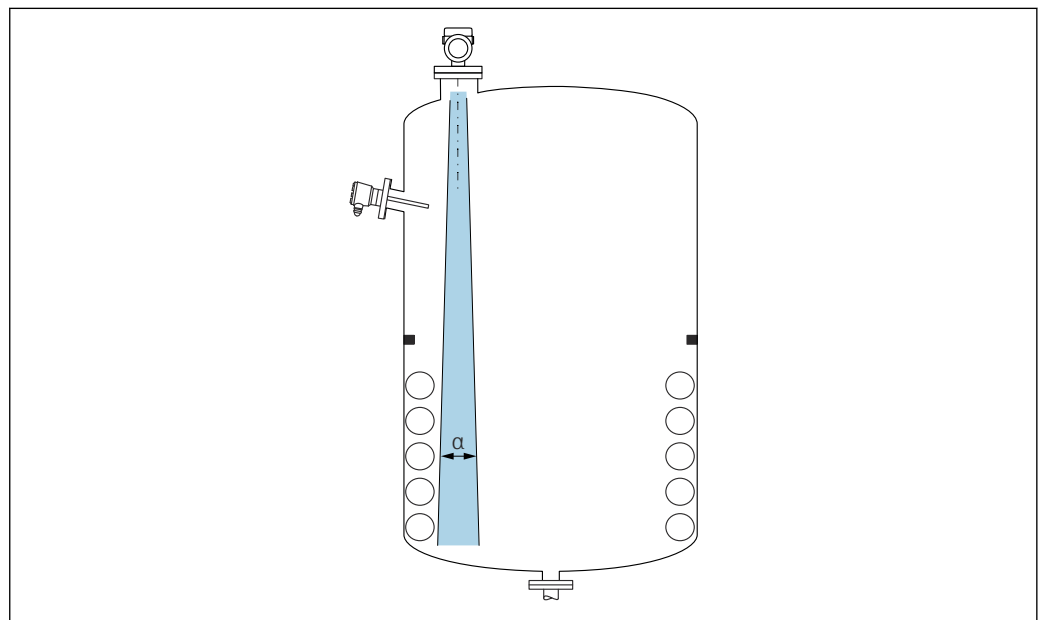


A0029263

2. Always firmly tighten the housing cover and the cable entries.
3. Counter-tighten the cable entries.
4. A drip loop must be provided when laying the cables.

### 5.2 Installation requirements

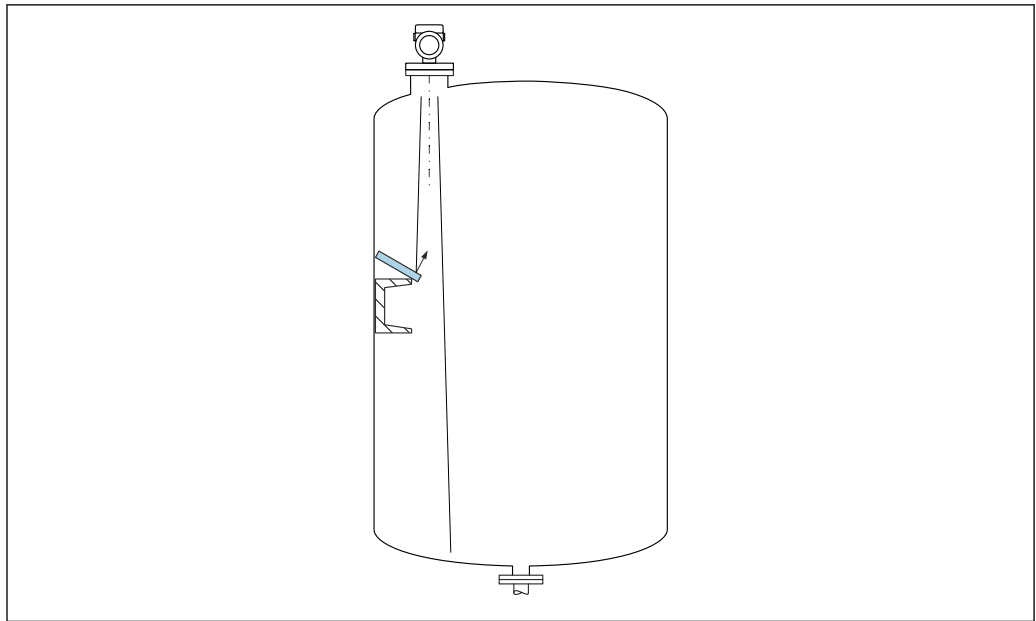
#### 5.2.1 Internal vessel fittings



A0031777

Avoid internal fittings (level switches, temperature sensors, struts, vacuum rings, heating coils, baffles etc.) inside the signal beam. Pay attention to the beam angle  $\alpha$ .

## 5.2.2 Avoiding interference echoes



A0031813

Metal deflector plates, installed at an angle to scatter the radar signals, help prevent interference echoes.

## 5.2.3 Vertical alignment of antenna axis

Align the antenna so that it is perpendicular to the product surface.

**i** The maximum reach of the antenna can be reduced, or additional interference signals can occur, if the antenna is not installed perpendicular to the product.

## 5.2.4 Radial alignment of the antenna

Based on the directional characteristic, radial alignment of the antenna is not necessary.

## 5.2.5 Optimization options

### Mapping

Measurement can be optimized by electronically suppressing interference echoes. See the **Confirm distance** parameter.

## 5.3 Mounting the device

### 5.3.1 Encapsulated antenna, PVDF 40 mm (1.5 in)

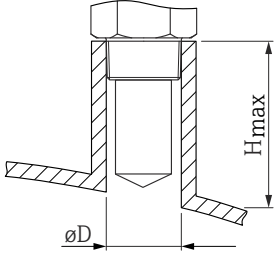
#### Information concerning threaded connections

- When screwing in, turn by the hex bolt only.
- Tool: open-ended wrench 50 mm
- Maximum permissible torque: 30 Nm (22 lbf ft)

#### Information about the mounting nozzle

The maximum nozzle length  $H_{max}$  depends on the nozzle diameter  $D$ .

Maximum nozzle length  $H_{max}$  as a function of the nozzle diameter  $D$

	$\phi D$	$H_{max}$
	50 to 80 mm (2 to 3.2 in)	600 mm (24 in)
	80 to 100 mm (3.2 to 4 in)	1 000 mm (24 in)
	100 to 150 mm (4 to 6 in)	1 250 mm (50 in)
	$\geq 150$ mm (6 in)	1 850 mm (74 in)

- i** In the case of longer nozzles, reduced measuring performance must be expected. Please note the following:
- The end of the nozzle must be smooth and free from burrs.
  - The edge of the nozzle should be rounded.
  - Mapping must be performed.
  - Please contact the manufacturer's support department for applications with nozzles that are higher than indicated in the table.

### 5.3.2 PTFE drip-off antenna 50 mm (2 in)

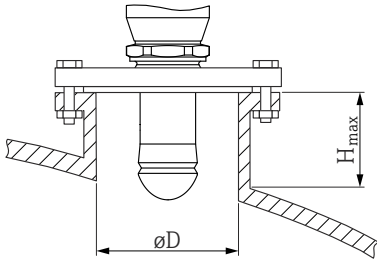
#### Information concerning threaded connections

- When screwing in, turn by the hex bolt only.
- Tool: open-ended wrench 55 mm
- Maximum permissible torque: 50 Nm (36 lbf ft)

#### Information about the mounting nozzle

The maximum nozzle length  $H_{max}$  depends on the nozzle diameter  $D$ .

The maximum length of the nozzle  $H_{max}$  depends on the nozzle diameter  $D$

	$\phi D$	$H_{max}$
	50 to 80 mm (2 to 3.2 in)	750 mm (30 in)
	80 to 100 mm (3.2 to 4 in)	1 150 mm (46 in)
	100 to 150 mm (4 to 6 in)	1 450 mm (58 in)
	$\geq 150$ mm (6 in)	2 200 mm (88 in)

- i** In the case of longer nozzles, reduced measuring performance must be expected. Please note the following:
- The end of the nozzle must be smooth and free from burrs.
  - The edge of the nozzle should be rounded.
  - Mapping must be performed.
  - Please contact the manufacturer's support department for applications with nozzles that are higher than indicated in the table.

### 5.3.3 Integrated antenna, PEEK 20 mm (0.75 in)

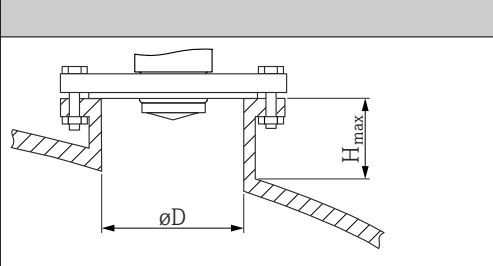
**Information concerning threaded connections**


- When screwing in, turn by the hex bolt only.
- Tool: open-ended wrench 36 mm
- Maximum permissible torque: 50 Nm (36 lbf ft)

**Information about the mounting nozzle**

The maximum nozzle length  $H_{max}$  depends on the nozzle diameter  $D$ .

*Maximum nozzle length  $H_{max}$  as a function of the nozzle diameter  $D$*

	$\phi D$	$H_{max}$
	40 to 50 mm (1.6 to 2 in)	200 mm (8 in)
	50 to 80 mm (2 to 3.2 in)	300 mm (12 in)
	80 to 100 mm (3.2 to 4 in)	450 mm (18 in)
	100 to 150 mm (4 to 6 in)	550 mm (22 in)
	$\geq 150$ mm (6 in)	850 mm (34 in)

 In the case of longer nozzles, reduced measuring performance must be expected.

Please note the following:

- The end of the nozzle must be smooth and free from burrs.
- The edge of the nozzle should be rounded.
- Mapping must be performed.
- Please contact the manufacturer's support department for applications with nozzles that are higher than indicated in the table.

### 5.3.4 Integrated antenna, PEEK 40 mm (1.5 in)

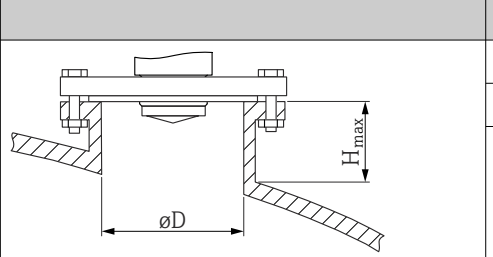
**Information concerning threaded connections**

- When screwing in, turn by the hex bolt only.
- Tool: open-ended wrench 55 mm
- Maximum permissible torque: 50 Nm (36 lbf ft)

**Information about the mounting nozzle**

The maximum nozzle length  $H_{max}$  depends on the nozzle diameter  $D$ .

*Maximum nozzle length  $H_{max}$  as a function of the nozzle diameter  $D$*

	$\phi D$	$H_{max}$
	40 to 50 mm (1.6 to 2 in)	400 mm (16 in)
	50 to 80 mm (2 to 3.2 in)	550 mm (22 in)
	80 to 100 mm (3.2 to 4 in)	850 mm (34 in)



	ØD	H <sub>max</sub>
	100 to 150 mm (4 to 6 in)	1 050 mm (42 in)
	≥150 mm (6 in)	1 600 mm (64 in)

**i** In the case of longer nozzles, reduced measuring performance must be expected.

Please note the following:

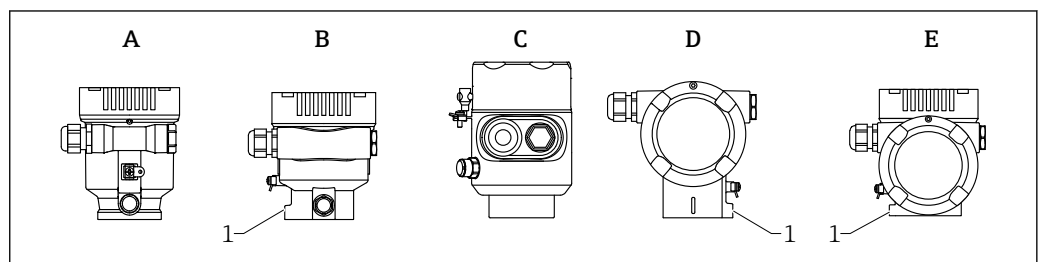
- The end of the nozzle must be smooth and free from burrs.
- The edge of the nozzle should be rounded.
- Mapping must be performed.
- Please contact the manufacturer's support department for applications with nozzles that are higher than indicated in the table.

### 5.3.5 Turning the housing

The housing can be rotated up to 380° by loosening the locking screw.

#### Your benefits

- Easy installation due to optimum alignment of housing
- Easily accessible device operation
- Optimum readability of the local display (optional)



A0046660

- A Plastic single compartment housing (no locking screw)  
 B Aluminum single compartment housing  
 C Single compartment housing, 316L, hygiene (no locking screw)  
 D Dual compartment housing  
 E Dual compartment housing, L-form  
 1 Locking screw

#### NOTICE

**The housing cannot be unscrewed fully.**

- ▶ Loosen the external locking screw by a maximum of 1.5 turns. If the screw is unscrewed too much or completely (beyond the screw anchor point), small parts (counter disk) can become loose and fall out.
- ▶ Tighten the securing screw (hexagon socket 4 mm (0.16 in)) with maximum 3.5 Nm (2.58 lbf ft) ± 0.3 Nm (0.22 lbf ft).

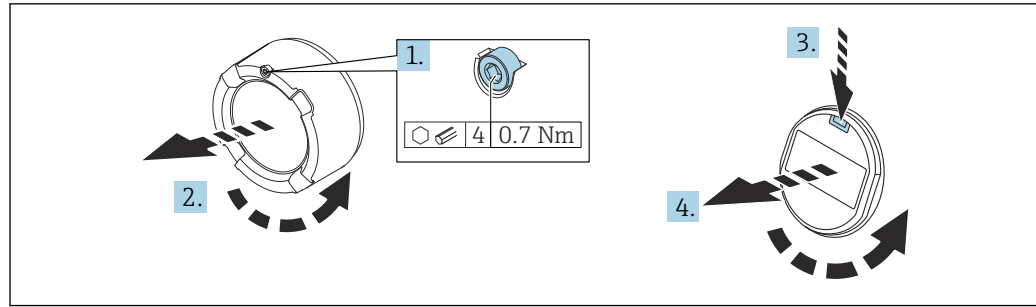
### 5.3.6 Turning the display module

#### ⚠ WARNING

**Supply voltage switched on!**

Risk of electric shock and/or explosion!

- ▶ Switch off the supply voltage before opening the measuring device.

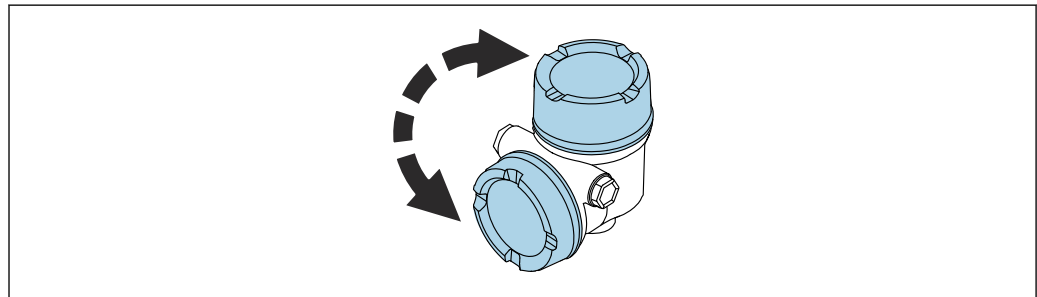


A0038224

1. If fitted: release the screw of the cover lock for the electronics compartment cover using the Allen key.
2. Unscrew the electronics compartment cover from the transmitter housing and check the cover seal.
3. Press the release mechanism and remove the display module.
4. Turn the display module to the desired position: maximum  $4 \times 90^\circ$  in each direction. Fit the display module on the electronics compartment in the desired position until it clicks into place. Screw the electronics compartment cover back onto the transmitter housing. If fitted: tighten the screw of the cover lock using the Allen key  $0.7 \text{ Nm}$  ( $0.52 \text{ lbf ft}$ )  $\pm 0.2 \text{ Nm}$  ( $0.15 \text{ lbf ft}$ ).

### 5.3.7 Changing the installation position of the display module

The installation position of the display can be changed in the case of the dual compartment housing, L-form.



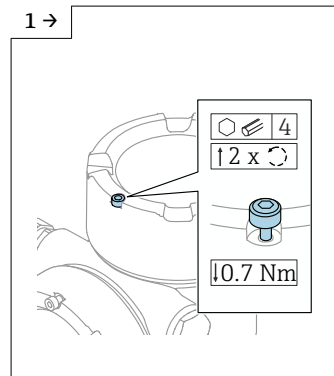
A0048401

**⚠ WARNING**

**Supply voltage switched on!**

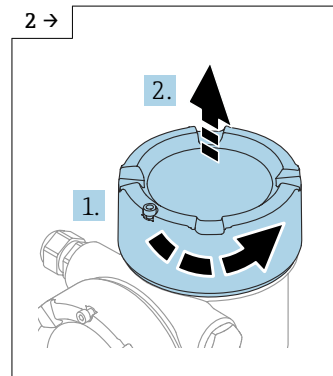
Risk of electric shock and/or explosion!

- ▶ Switch off the supply voltage before opening the measuring instrument.



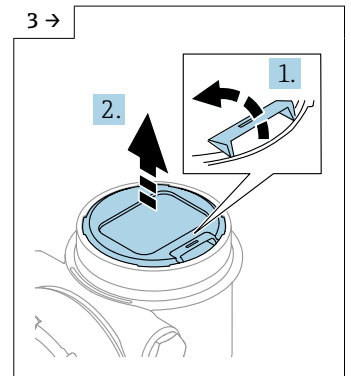
A0046831

- ▶ If fitted: release the screw of the cover lock for the display cover using the Allen key.



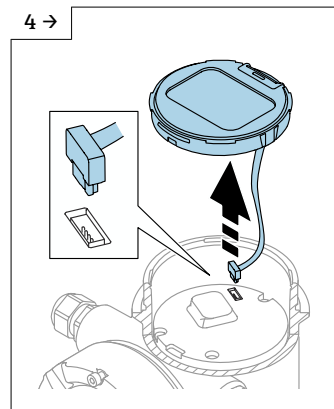
A0046832

- ▶ Unscrew the display cover and check the cover seal.



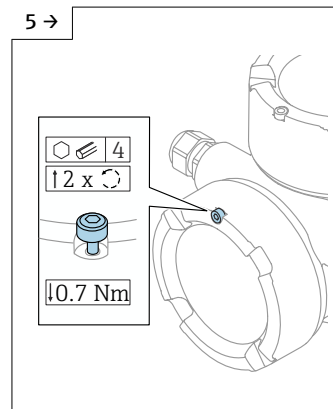
A0046833

- ▶ Press the release mechanism, remove the display module.



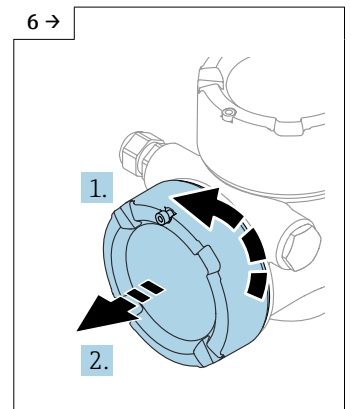
A0046834

- ▶ Release the plug connection.



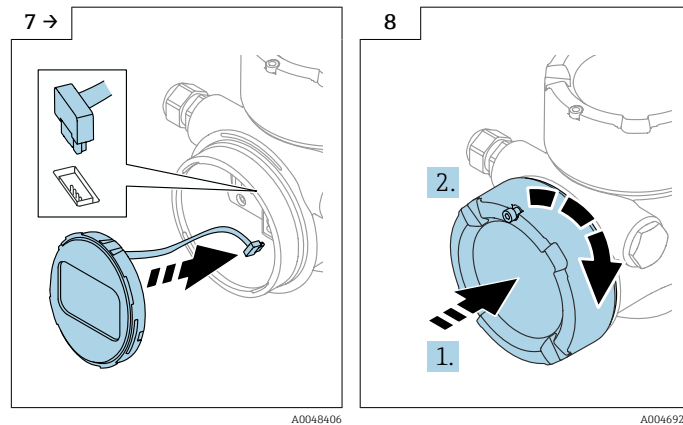
A0046923

- ▶ If fitted: release the screw of the cover lock for the connection compartment cover using the Allen key.



A0046924

- ▶ Unscrew the connection compartment cover, check the cover seal. Screw this cover onto the electronics compartment instead of the display cover. If fitted: tighten the screw of the cover lock using the Allen key



- ▶ Plug in the connection for the display module in the connection compartment.
- ▶ Fit the display module in the desired position until it clicks into place.
- ▶ Screw the display cover firmly back onto the housing. If fitted: tighten the screw of the cover lock using the Allen key 0.7 Nm (0.52 lbf ft).

### 5.3.8 Closing the housing covers

#### NOTICE

#### Thread and housing damaged from dirt!

- ▶ Remove dirt (e.g. sand) on the cover and housing thread.
- ▶ If you encounter resistance when closing the cover, check the thread for dirt and clean it.

#### **i** Housing thread

The threads of the electronics and connection compartment can be coated with an anti-friction coating.

The following applies for all housing materials:

- ✘ **Do not lubricate the housing threads.**

### 5.4 Post-mounting check

- Is the device free from damage (visual inspection)?
- Are the measuring point identification and labeling correct (visual inspection)?
- Is the measuring device protected against precipitation and sunlight?
- Are the securing screws and cover lock tightened securely?
- Does the measuring device comply with the measuring point specifications?

For example:

- Process temperature
- Process pressure
- Ambient temperature
- Measuring range

## 6 Electrical connection

### 6.1 Connecting requirements

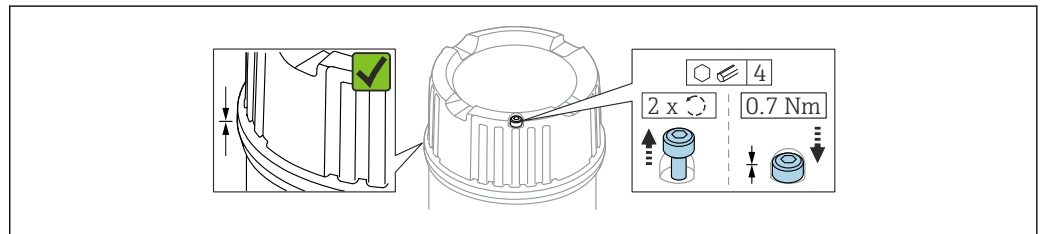
#### 6.1.1 Cover with securing screw

The cover is locked by a securing screw in devices for use in hazardous areas with certain explosion protection.

##### NOTICE

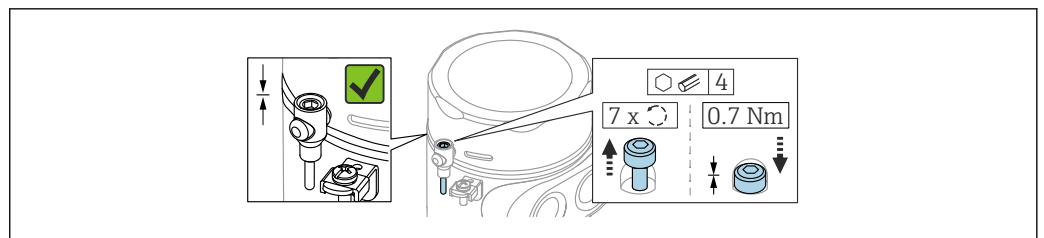
**If the securing screw is not positioned correctly, the cover cannot provide secure sealing.**

- ▶ Open the cover: slacken the screw of the cover lock with a maximum of 2 turns so that the screw does not fall out. Fit the cover and check the cover seal.
- ▶ Close the cover: screw the cover securely onto the housing, making sure that the securing screw is positioned correctly. There should not be any gap between the cover and housing.



A0039520

2 Cover with securing screw

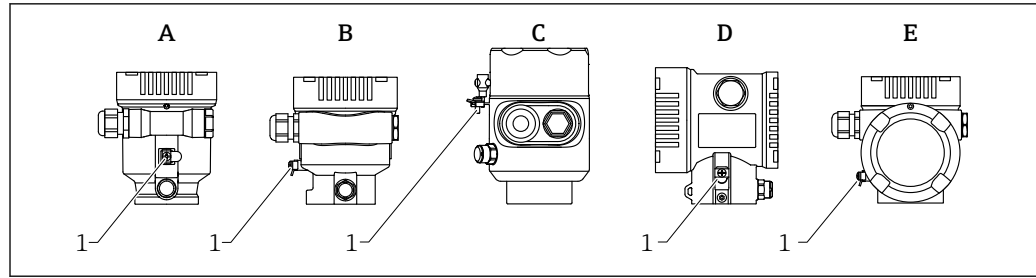


A0050983

3 Cover with securing screw; hygienic housing (only for dust explosion protection)

#### 6.1.2 Potential equalization

The protective ground on the device must not be connected. If necessary, the potential matching line can be connected to the outer ground terminal of the housing before the device is connected.



A0046583

- A Single compartment housing, plastic  
 B Single compartment housing, aluminum, coated  
 C Single compartment housing, 316L, hygiene (Ex device)  
 D Dual compartment housing, aluminum, coated  
 E Dual compartment housing, L-shaped, aluminum, coated  
 1 Ground terminal for connecting the potential matching line

### **⚠ WARNING**

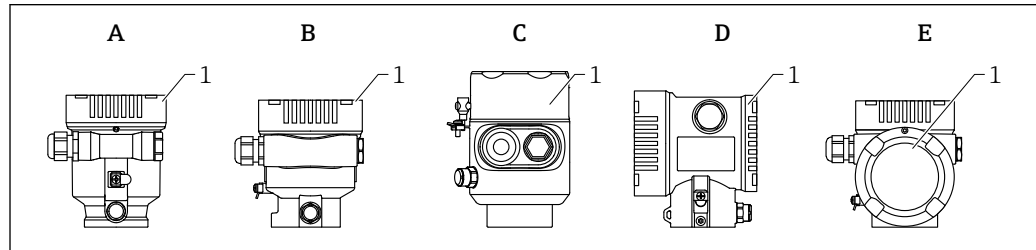
**Ignitable sparks or impermissible high surface temperatures.**

Explosion hazard!

- ▶ Please refer to the separate documentation on applications in hazardous areas for the safety instructions.

- i** For optimum electromagnetic compatibility:
- Keep potential matching line as short as possible
  - Observe minimum cross-section of 2.5 mm<sup>2</sup> (14 AWG)

## 6.2 Connecting the device



A0046659

- A Single compartment housing, plastic  
 B Single compartment housing, aluminum, coated  
 C Single compartment housing, 316L, hygiene  
 D Dual compartment housing, aluminum, coated  
 E Dual compartment housing, L-shaped, aluminum, coated  
 1 Connection compartment cover

- i** Devices with a single compartment 316L hygiene housing and conduit screw connection must be connected as end-of-line devices; only one “conduit entry” may be used.

### **i** Housing thread

The threads of the electronics and connection compartment can be coated with an anti-friction coating.


The following applies for all housing materials:

- ⊗ Do not lubricate the housing threads.**

### 6.2.1 Supply voltage

The supply voltage depends on the selected type of device approval

<b>Non-hazardous, Ex d, Ex e</b>	9 to 32 V <sub>DC</sub>
<b>Ex i</b>	9 to 30 V <sub>DC</sub>
<b>Nominal current</b>	14 mA
<b>Error current FDE (Fault Disconnection Electronic)</b>	0 mA

-  Use only suitable and certified Profibus PA components (e.g. DP/PA segment coupler) for the power supply
  - FISCO/FNICO-compliant according to IEC 60079-27
  - The supply is not polarity-dependent

### Device display and Bluetooth

The display and the Bluetooth function (order option) are dependent on the supply voltage at the moment the device is switched on.

### Supply voltage

- <12 V<sub>DC</sub>: the background lighting is switched off
- <10 V<sub>DC</sub>: the Bluetooth function is also switched off

## 6.2.2 Cable specification


### Rated cross-section

- Supply voltage  
0.5 to 2.5 mm<sup>2</sup> (20 to 13 AWG)
- Protective earth or grounding of the cable shield  
> 1 mm<sup>2</sup> (17 AWG)
- External ground terminal  
0.5 to 4 mm<sup>2</sup> (20 to 12 AWG)




### Cable outer diameter

The cable outer diameter depends on the cable gland used

- Coupling, plastic:  
Ø5 to 10 mm (0.2 to 0.38 in)
- Coupling, nickel-plated brass:  
Ø7 to 10.5 mm (0.28 to 0.41 in)
- Coupling, stainless steel:  
Ø7 to 12 mm (0.28 to 0.47 in)

-  Use a twisted, shielded twin-core cable, preferably cable type A.

For further information on the cable specification:

-  Operating Instructions BA00034S "PROFIBUS DP/PA: Guidelines for planning and commissioning"
-  PROFIBUS Assembling Guideline 8.022
-  IEC 61158-2 (MBP).

## 6.2.3 Overvoltage protection

The overvoltage protection can optionally be ordered as a "Mounted accessory" via the product structure.

### Devices without optional overvoltage protection

The devices satisfy the IEC/DIN EN IEC 61326-1 product standard (Table 2 Industrial environment).

Depending on the type of port (DC power supply, input/output port) different testing levels according to IEC/DIN EN 61326-1 against transient overvoltages are applied (IEC/DIN EN 61000-4-5 Surge):

Test level on DC power ports and input/output ports is 1 000 V line to earth

#### Devices with optional overvoltage protection

- Spark-over voltage: min. 400 V<sub>DC</sub>
- Tested according to IEC/DIN EN 60079-14 sub chapter 12.3 (IEC/DIN EN 60060-1 chapter 7)
- Nominal discharge current: 10 kA

#### NOTICE

**The device can be destroyed by excessively high electrical voltages.**

- ▶ Always ground the device with integrated overvoltage protection.

#### Overvoltage category

Overvoltage category II

### 6.2.4 Wiring

#### WARNING

#### Supply voltage might be connected!

Risk of electric shock and/or explosion!

- ▶ If the device is used in hazardous areas, make sure to comply with national standards and the specifications in the Safety Instructions (XAs). The specified cable gland must be used.
- ▶ The supply voltage must match the specifications on the nameplate.
- ▶ Switch off the supply voltage before connecting the device.
- ▶ If necessary, the potential matching line can be connected to the outer ground terminal of the device before the power supply lines are connected.
- ▶ FISCO/FNICO compliant according to IEC 60079-27.
- ▶ The supply does not depend on the polarity.
- ▶ The cables must be adequately insulated, with due consideration given to the supply voltage and the overvoltage category.
- ▶ The connecting cables must offer adequate temperature stability, with due consideration given to the ambient temperature.
- ▶ Only operate the measuring device with the covers closed.

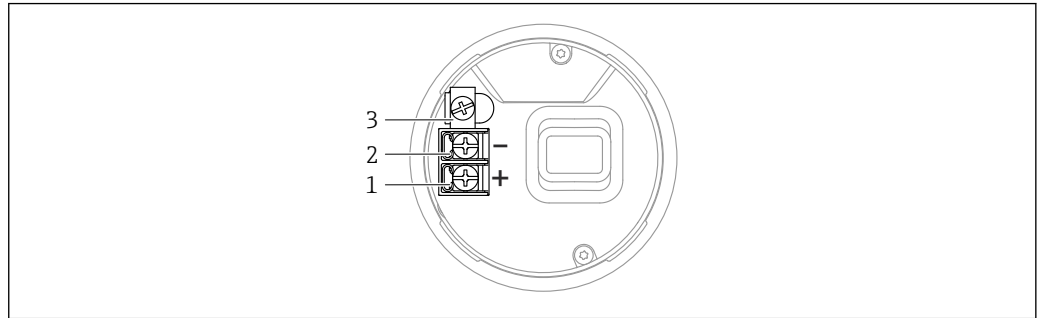
Connect the device in the following order:

1. Release the cover lock (if provided).
2. Unscrew the cover.
3. Guide the cables into the cable glands or cable entries.
4. Connect the cable.
5. Tighten the cable glands or cable entries so that they are leak-tight. Counter-tighten the housing entry.
6. Screw the cover securely back onto the connection compartment.
7. If provided: tighten the screw of the cover lock using the Allen key 0.7 Nm (0.52 lbf ft) ±0.2 Nm (0.15 lbf ft).



## 6.2.5 Terminal assignment

### Single compartment housing

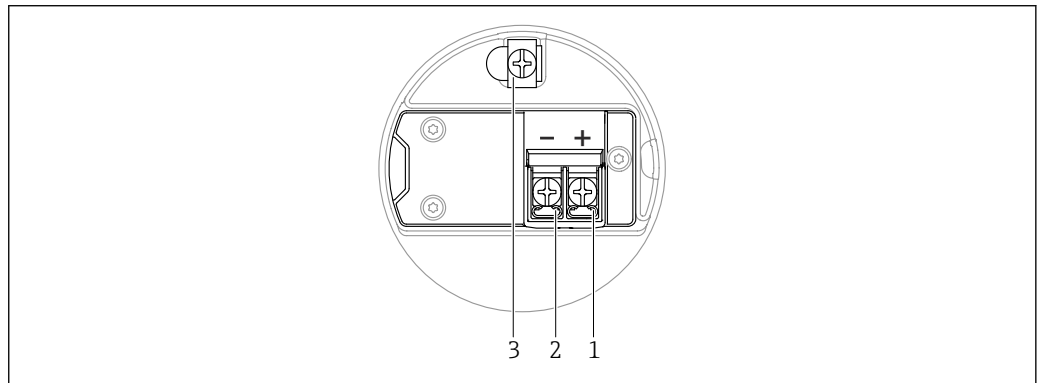


A0042594

4 Connection terminals and ground terminal in the connection compartment, single compartment housing

- 1 Positive terminal
- 2 Negative terminal
- 3 Internal ground terminal

### Dual compartment housing

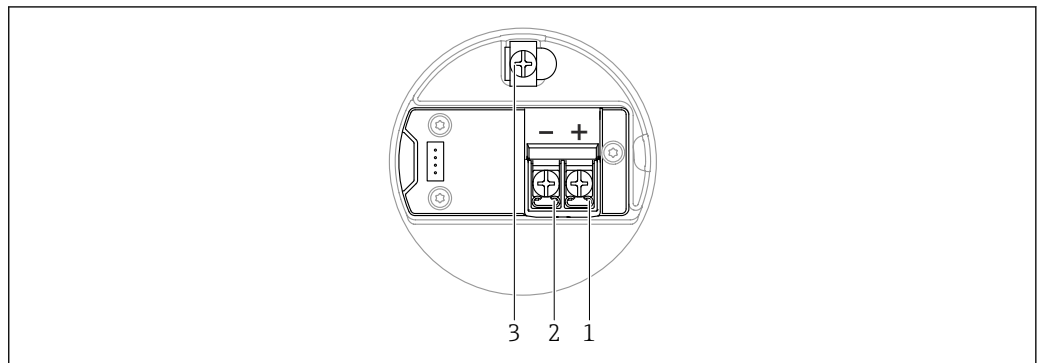


A0042803

5 Connection terminals and ground terminal in the connection compartment

- 1 Plus terminal
- 2 Minus terminal
- 3 Internal ground terminal

### Dual compartment housing, L-shaped

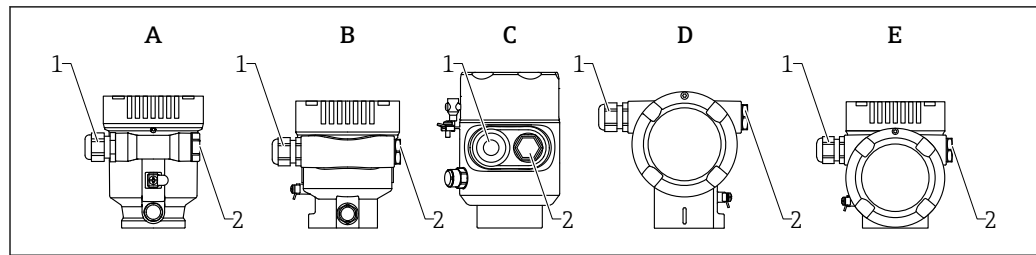


A0045842

6 Connection terminals and ground terminal in the connection compartment

- 1 Plus terminal
- 2 Minus terminal
- 3 Internal ground terminal

## 6.2.6 Cable entries



A0046584

- A Single compartment housing, plastic  
 B Single compartment housing, aluminum, coated  
 C Single compartment housing, 316L, hygiene  
 D Dual compartment housing, aluminum, coated  
 E Dual compartment housing, L-shaped, aluminum, coated  
 1 Cable entry  
 2 Dummy plug

The number and type of cable entries depend on the device version ordered.

**i** Always route connecting cables downwards so that moisture cannot penetrate the connection compartment.

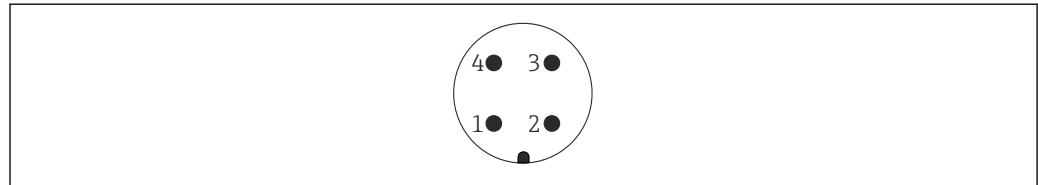
If necessary, create a drip loop or use a weather protection cover.

## 6.2.7 Available device plugs

**i** In the case of devices with a plug, it is not necessary to open the housing for connection purposes.

Use the enclosed seals to prevent the penetration of moisture into the device.

### Devices with M12 plug



A0011175

**i** 7 View of the plug-in connection on the device

- 1 Signal +  
 2 Not used  
 3 Signal -  
 4 Ground

Various M12 plug sockets are available as accessories for devices with M12 plugs.

## 6.3 Ensuring the degree of protection

### 6.3.1 Cable entries

- M20 coupling, plastic, IP66/68 NEMA TYPE 4X/6P
- M20 coupling, nickel-plated brass, IP66/68 NEMA TYPE 4X/6P
- M20 coupling, 316L, IP66/68 NEMA TYPE 4X/6P
- M20 thread, IP66/68 NEMA Type 4X/6P

- G1/2 thread, IP66/68 NEMA Type 4X/6P  
If the G1/2 thread is selected, the device is delivered with an M20 thread as standard and a G1/2 adapter is included with the delivery, along with the corresponding documentation
- NPT 1/2 thread, IP66/68 NEMA Type 4X/6P
- Dummy plug transport protection: IP22, NEMA TYPE 2
- M12 plug
  - When housing is closed and connecting cable is plugged in: IP66/67, NEMA Type 4X
  - When housing is open or connecting cable is not plugged in: IP20, NEMA Type 1

**NOTICE****M12 plug: Loss of IP protection class due to incorrect installation!**

- ▶ The degree of protection only applies if the connecting cable used is plugged in and screwed tight.
- ▶ The degree of protection only applies if the connecting cable used is specified according to IP67, NEMA Type 4X.
- ▶ The IP protection classes are only maintained if the dummy cap is used or the cable is connected.

## 6.4 Post-connection check

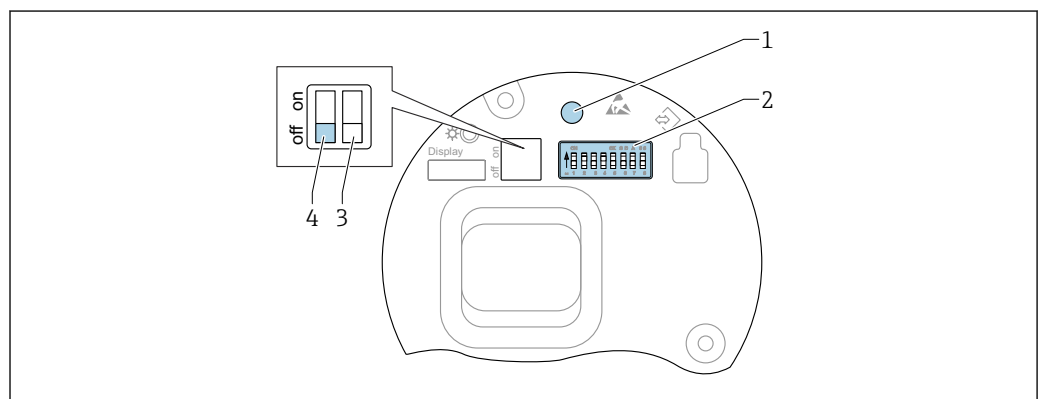
- Are the device or cables undamaged (visual inspection)?
- Do the cables used comply with the requirements?
- Do the mounted cables have strain relief?
- Cable glands mounted, securely tightened and leak-tight?
- Does the supply voltage correspond to the specifications on the nameplate?
- Cover screwed down correctly?
- Cover lock tightened correctly?

## 7 Operation options

### 7.1 Overview of operation options

- Operation via operating keys and DIP switches on the electronic insert
- Operation via optical operating keys on the device display (optional)
- Operation via Bluetooth® wireless technology (with optional device display with Bluetooth) with SmartBlue app or FieldXpert, DeviceCare
- Operation via operating tool (Endress+Hauser FieldCare/DeviceCare, PDM etc.)

### 7.2 Operating keys and DIP switches on the PROFIBUS PA electronic insert



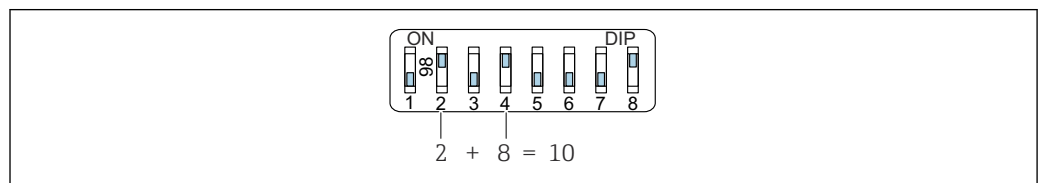
A0050986

8 Operating keys and DIP switches on the PROFIBUS PA electronic insert

- 1 Operating key for reset password (for Bluetooth login and Maintenance user role)
- 2 DIP switch for address configuration
- 3 DIP switch with no function
- 4 DIP switch for locking and unlocking the device

**i** The setting of the DIP switches on the electronic insert has priority over the settings made via other operation methods (e.g. FieldCare/DeviceCare).

#### 7.2.1 Hardware addressing



A0053770

9 Example of hardware addressing; switch 8 is set to the "ON" position; switches 1 to 7 define the address.

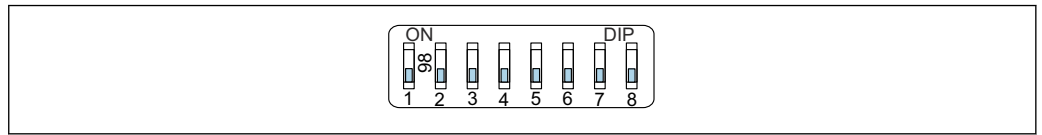
1. Set switch 8 to the "ON" position.
2. Using switches 1 to 7, set the address as indicated in the table below.

The change of address takes effect after 10 seconds. The device is restarted.


#### Assignment of switch values

Switch	1	2	3	4	5	6	7
Value in "ON" position	1	2	4	8	16	32	64
Value in "OFF" position	0	0	0	0	0	0	0

## 7.2.2 Software addressing



A0053771

 10 Example of software addressing; switch 8 is set to the "OFF" position; the address is defined in the operating menu

1. Set switch 8 to "OFF".
2. The device restarts automatically and reports the PROFIBUS address stored in the device. The factory setting is PROFIBUS address 126 or the PROFIBUS address ordered with order code "Marking", "Bus address" option.
3. Configure the address via the operating menu: Application → Profibus → Configuration → Device address

## 7.3 Structure and function of the operating menu

The differences between the structure of the operating menus of the local display and the Endress+Hauser FieldCare or DeviceCare operating tools can be summarized as follows:

The local display is suitable for configuring simple applications.

The operating tools (FieldCare, DeviceCare, SmartBlue, PDM etc.) can be used to configure the parameters of wide-ranging applications.

Wizards help the user to commission the various applications. The user is guided through the individual configuration steps.

### 7.3.1 User roles and related access authorization

The two user roles **Operator** and **Maintenance** (as-delivered state) have different write access to the parameters if a device-specific access code has been defined. This access code protects the device configuration from unauthorized access.

If an incorrect access code is entered, the user obtains the access rights of the **Operator** role.

## 7.4 Access to operating menu via local display

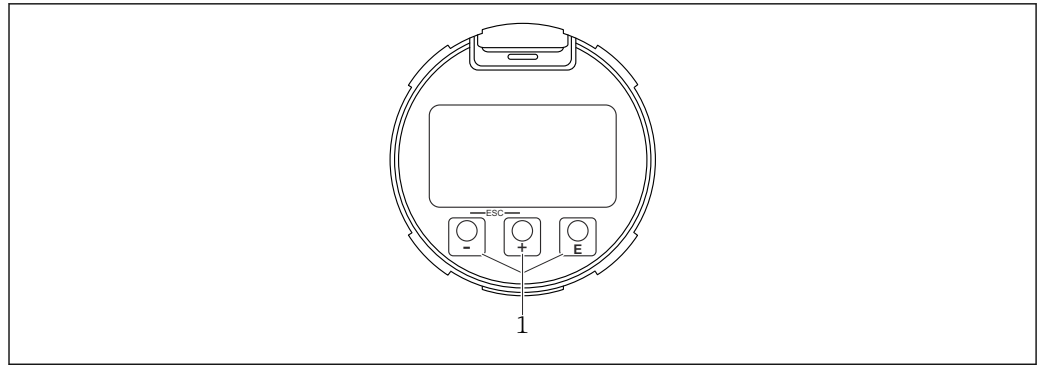
### 7.4.1 Device display (optional)

Possible to operate the optical operating keys through the cover. No need to open the device.

Functions:

- Display measured values, also fault and notice messages
- Background lighting, which switches from green to red in the event of an error
- The device display can be removed for easier operation

 The device display is also optionally available with Bluetooth® wireless technology.



11 Graphic display with optical operating keys (1)

A0039284

- **+** key
  - Navigate down in the picklist
  - Edit the numerical values or characters within a function
- **-** key
  - Navigate up in the picklist
  - Edit the numerical values or characters within a function
- **E** key
  - Change from main display to main menu
  - Confirm entry
  - Jump to the next item
  - Select a menu item and activate edit mode
  - Unlock/lock the display operation
  - Press and hold the **E** key to display a short description of the selected parameter (if available)
- **+** key and **-** key (ESC function)
  - Exit edit mode for a parameter without saving the changed value
  - Menu at a selection level: pressing the keys simultaneously takes the user back up a level in the menu
  - Press and hold the keys simultaneously to return to the upper level

## 7.4.2 Operation via Bluetooth® wireless technology (optional)

### Prerequisite

- Device with device display including Bluetooth
- Smartphone or tablet with Endress+Hauser SmartBlue app or PC with DeviceCare from version 1.07.05 or FieldXpert SMT70

The connection has a range of up to 25 m (82 ft). The range can vary depending on environmental conditions such as attachments, walls or ceilings.

**i** The operating keys on the display are locked as soon as the device is connected via Bluetooth.

A flashing Bluetooth symbol indicates that a Bluetooth connection is available.

### **i** Please note the following

- If the Bluetooth display is removed from one device and installed in another device:
- All the log-in data are only saved in the Bluetooth display and not in the device
  - The password changed by the user is also saved in the Bluetooth display


### Operation via SmartBlue app

The device can be operated and configured with the SmartBlue app.

- The SmartBlue app must be downloaded onto a mobile device for this purpose.
- For information on the compatibility of the SmartBlue app with mobile devices, see **Apple App Store (iOS devices)** or **Google Play Store (Android devices)**.
- Incorrect operation by unauthorized persons is prevented by means of encrypted communication and password encryption.
- The Bluetooth® function can be deactivated after initial device setup.



A0033202

 12 QR code for free Endress+Hauser SmartBlue app

Download and installation:

1. Scan the QR code or enter **SmartBlue** in the search field of the Apple App Store (iOS) or Google Play Store (Android).
2. Install and start the SmartBlue app.
3. For Android devices: enable location tracking (GPS) (not required for iOS devices).
4. Select a device that is ready to receive from the device list displayed.

Login:

1. Enter the user name: admin
2. Enter the initial password: serial number of the device
3. Change the password after logging in for the first time.



#### Notes on the password and reset code

- If the user-defined password is lost, access can be restored via a reset code. The reset code is the device serial number in reverse. Once the reset code has been entered, the Initial password is valid again.
- Like the password, the reset code can also be changed.
- If the user-defined reset code is lost, the password can no longer be reset via the SmartBlue app. In this case, contact Endress+Hauser Service.

## 7.5 Access to the operating menu via the operating tool

Access via the operating tool is possible:

- Via Profibus PA communication
- Via Endress+Hauser Commubox FXA291  
With the Commubox FXA291, a CDI connection can be established with the device interface and a Windows PC/notebook with a USB port

## 7.6 DeviceCare

### 7.6.1 Function scope

Tool for connecting and configuring Endress+Hauser field devices.

The fastest way to configure Endress+Hauser field devices is with the dedicated "DeviceCare" tool. Together with the device type managers (DTMs), DeviceCare presents a convenient, comprehensive solution.



For details, see Innovation Brochure IN01047S

## 7.7 FieldCare

### 7.7.1 Function range

FDT-based plant asset management tool from Endress+Hauser. FieldCare can configure all smart field devices in a system and helps you manage them. By using the status information, FieldCare is also a simple but effective way of checking their status and condition.

Access is via:

- PROFIBUS PA protocol
- CDI service interface

Typical functions:

- Parameter configuration of transmitters
- Loading and saving of device data (upload/download)
- Documentation of the measuring point
- Visualization of the measured value memory (line recorder) and event logbook



For additional information about FieldCare, see Operating Instructions BA00027S and BA00059S



## 8 System integration

According to EN 50170 Volume 2, IEC 61158-2 (MBP) type 1 PROFIBUS PA Profile Version 3.02

### 8.1 Protocol-specific data

#### 8.1.1 PROFIBUS PA

**Manufacturer ID:**

17 (0x11)

**Ident number:**

0x1568 or 0x9700

**Profile version:**

3.02

**GSD file and version**

Information and files available at:

- [www.endress.com](http://www.endress.com)

On the product page for the device: Documents/Software → Device drivers

- [www.profibus.com](http://www.profibus.com)

**Output values**

**Analog Input:**

- Level linearized
- Distance
- Volume
- Terminal voltage
- Electronics temperature
- Sensor temperature
- Absolute echo amplitude
- Relative echo amplitude
- Area of incoupling
- Buildup index, optional (Guidance → Heartbeat Technology → Buildup detection → Buildup index)
- Foam index, optional (Diagnostics → Heartbeat Technology → Foam detection → Foam index)

**Digital Input:**

 Is only available if the "Heartbeat Verification + Monitoring" application package was selected.

- 168 Build-up detected, optional (Guidance → Heartbeat Technology → Buildup detection → 168 Build-up detected)
- 952 Foam detected, optional (Guidance → Heartbeat Technology → Foam detection → 952 Foam detected)

**Input values**

**Analog Output:**

Analog value from PLC to be indicated on the display

### Supported functions

- Identification & maintenance  
Straightforward device identification on the part of the control system and nameplate
- Automatic Ident Number adoption  
GSD compatibility mode for generic profile 0x9700 "Transmitter with 1 Analog Input"
- Physical layer diagnostics  
Installation check of the PROFIBUS segment and device using terminal voltage and message monitoring
- PROFIBUS upload/download  
Reading and writing parameters is up to ten times faster with PROFIBUS upload/download
- Condensed status  
Straightforward and self-explanatory diagnostic information by categorizing diagnostic messages that occur


## 8.2 Device master file (GSD)

In order to integrate the field devices into the bus system, the PROFIBUS system needs a description of the device parameters, such as output data, input data, data format, data volume and supported transmission rate. These data are available in the general station description (GSD) which is provided to the PROFIBUS Master when the communication system is commissioned.

In addition, device bit maps, which appear as icons in the network structure, can also be integrated.

With the Profile 3.0 device master file (GSD) it is possible to exchange field devices made by different manufacturers without having to reconfigure.

Generally speaking, two different GSD versions are possible with Profile 3.0 and higher.


-  ▪ Before configuring, the user must decide which GSD should be used to operate the system.
- The setting can be changed via a Class 2 master.

### 8.2.1 Manufacturer-specific GSD

This GSD guarantees the unrestricted functionality of the measuring device. Device-specific process parameters, functions and all device diagnostics are therefore available.

Manufacturer-specific GSD	ID number	File name
PROFIBUS PA	0x1568	EH3x1568.gsd

If the manufacturer-specific GSD should be used, this is specified in the **Ident number selector** parameter by selecting the **FMR6xB 0x1568** option.

-  Where to acquire the manufacturer-specific GSD:  
[www.endress.com](http://www.endress.com) → Download

### 8.2.2 Profile GSD

Differs in terms of the number of Analog Input blocks (AI) and the measured values. If a system is configured with a Profile GSD, it is possible to exchange devices made by different manufacturers. However, it is essential to ensure that the order of the cyclic process values is correct.

ID number	Supported blocks
0x9700	1 Analog Input

The Profile GSD that is to be used is specified in the **Ident number selector** parameter by selecting the **0x9700 (1AI)** option or **FMR6xB 0x1568** option.

### 8.2.3 Compatibility with other devices

This device ensures compatibility in cyclic data exchange with the automation system (Class 1 master) for the following devices:

Generic Transmitter 1 AI PROFIBUS PA (Profile version 3.02, ident number 0x9700)

It is possible to replace these devices without the need to reconfigure the PROFIBUS network in the automation unit although the name and identification number of the devices are different.

Once replaced, the device is either identified automatically (factory setting) or device identification can be set manually.


#### Automatic identification (factory setting)

The device automatically recognizes the generic profile configured in the automation system and makes the same input data and measured value status information available for cyclic data exchange. Automatic identification is set in the **Ident number selector** parameter using the **Automatic mode** option (factory setting).

#### Manual setting

The manual setting is made in the **Ident number selector** parameter via the **FMR6xB 0x1568** option (manufacturer) or **0x9700 (1AI)** option (generic).

Afterwards, the device makes the same input and output data and measured status information available for cyclic data exchange.

-  If the device is acyclically configured via an operating program (Class 2 master), access is directly via the block structure or the parameters of the device.
  - If parameters were changed in the device to be replaced (parameter setting no longer corresponds to the original factory setting), these parameters have to be adapted accordingly in the new device used via an operating program (Class 2 master) to guarantee identical behavior
  - The cyclic data exchange of the Micropilot FMR6xB is not downward compatible with the Micropilot FMR5x or Micropilot FMR4x

## 8.3 Cyclic data transmission

Cyclic data transmission when using the device master file (GSD).

### 8.3.1 Block model

The block model shows which input and output data the measuring device makes available for cyclic data exchange. The cyclic data exchange is performed with a PROFIBUS master (Class 1), e.g. a control system.

#### Transducer Block

- Analog Input Block 1 to 6; AI output values →
- Digital Input Block 1 to 2; DI output values →
- Analog Output Block 1; AO input value ←

#### Defined order of modules

The device works as a modular PROFIBUS slave. In contrast to a compact slave, a modular slave has a variable design and consists of several individual modules. The device master

file (GSD) contains a description of the individual modules (input and output data) along with their individual properties.

The modules are permanently assigned to the slots, i.e. when configuring the modules, the order and the arrangement of the modules must be respected.

Slot	Module	Function block
01 ... 06	AI	Analog Input block 1 to 6
07 ... 08	DI	Digital Input Block 1 to 2
09	DO	Digital Output Block 1

To optimize the data throughput rate of the PROFIBUS network, it is advisable to only configure modules that are processed in the PROFIBUS master system. If this results in gaps between the configured modules, these gaps must be assigned to the `EMPTY_MODULE`.

### 8.3.2 Description of the modules

The data structure is described from the perspective of the PROFIBUS master:

- Input data: Are sent from the measuring device to the PROFIBUS master.
- Output data: Are sent to the measuring device by the PROFIBUS master.

#### AI module (Analog Input)

Transmit an input variable from the measuring device to the PROFIBUS master (Class 1).

The selected input variable, including the status, is cyclically transmitted to the PROFIBUS master (Class 1) via the AI module. The input variable is depicted in the first four bytes in the form of a floating point number as per the IEEE 754 standard. The fifth byte contains standardized status information pertaining to the input variable.

Six Analog Input blocks are available (slot 1 to 6); **Analog input 1 to 6** submenu

*Input variable:*

The input variable can be determined using the **Channel** parameter.

Application → Profibus → Analog input → Analog input 1 to 6 → Channel

Options:

- Level linearized
- Volume
- Distance
- Terminal voltage
- Electronics temperature
- Sensor temperature
- Absolute echo amplitude
- Relative echo amplitude
- Area of incoupling
- **Buildup index** option Visibility depends on order options or device settingsGuidance  
→ Heartbeat Technology → Buildup detection → Configuration → Buildup index
- **Foam index** option Visibility depends on order options or device settingsGuidance  
→ Heartbeat Technology → Foam detection → Configuration → Foam index

Factory setting: **Level linearized** option

*Data structure*


Byte 1	Byte 2	Byte 3	Byte 4	Byte 5
Measured value: Floating point number (IEEE 754)				Status

### AO module (Analog Output)

Transmit display information from the PROFIBUS master (Class 1) to the measuring device.

An analog output value, along with the status, can be transmitted cyclically from the PROFIBUS master (Class 1) to the measuring device via the AO module and output on the local display. The value is displayed in the first four bytes in the form of a floating point number as per the IEEE 754 standard. The fifth byte contains standardized status information pertaining to the output value.

One Analog Output block is available (slot 9).

 Application → Profibus → Analog output → Analog output 1 → Out value **Out value** parameter; Shows an analog output value (AO) that is output from the controller to the device and can be shown on the local display. To show the AO on the local display, it must be assigned to a display output parameter as a value. This assignment is made in the menu under "System-Display".

#### Data structure


Byte 1	Byte 2	Byte 3	Byte 4	Byte 5
Measured value: Floating point number (IEEE 754)				Status

### DI module (digital input)

Transmit discrete input values from the measuring device to the PROFIBUS master (Class 1). Discrete input values are used by the measuring device to transmit the state of device functions to the PROFIBUS master (Class 1).

The DI module cyclically transmits the discrete input value, along with the status, to the PROFIBUS master (Class 1). The discrete input value is depicted in the first byte. The second byte contains standardized status information pertaining to the input value.

Two discrete input blocks are available (slot 7 to 8).

 The digital input blocks are available only if the Heartbeat option is available and one or both of the Heartbeat Monitoring functions **Foam detected** option and **Buildup detected** option have been configured.

#### Device function:

The device function can be defined via the **Channel** parameter.

Application → Profibus → Digital input → Digital input 1 to 2 → Channel

Options:

- **Buildup index** option Visibility depends on order options or device settingsGuidance → Heartbeat Technology → Buildup detection → Configuration → Buildup index
- **Foam index** option Visibility depends on order options or device settingsGuidance → Heartbeat Technology → Foam detection → Configuration → Foam index

Factory setting: **None** option

#### Data structure

Byte 1	Byte 2
Digital	Status

### EMPTY\_MODULE module

This module is used to assign empty spaces arising from modules not being used in the slots.

The device works as a modular PROFIBUS slave. In contrast to a compact slave, a modular PROFIBUS slave has a variable design and consists of several individual modules. The GSD file contains a description of the individual modules along with their individual properties.

The modules are permanently assigned to the slots. When configuring the modules, it is absolutely essential to observe the sequence/arrangement of the modules. Any gaps between the configured modules must be filled with the `EMPTY_MODULE`.

## 9 Commissioning


**i** All configuration tools provide a commissioning assistant that supports the user when setting the most important configuration parameters (**Guidance** menu **Commissioning** wizard).


### 9.1 Preliminaries

The measuring range and the unit in which the measured value is transmitted correspond to the data on the nameplate.

### 9.2 Installation and function check

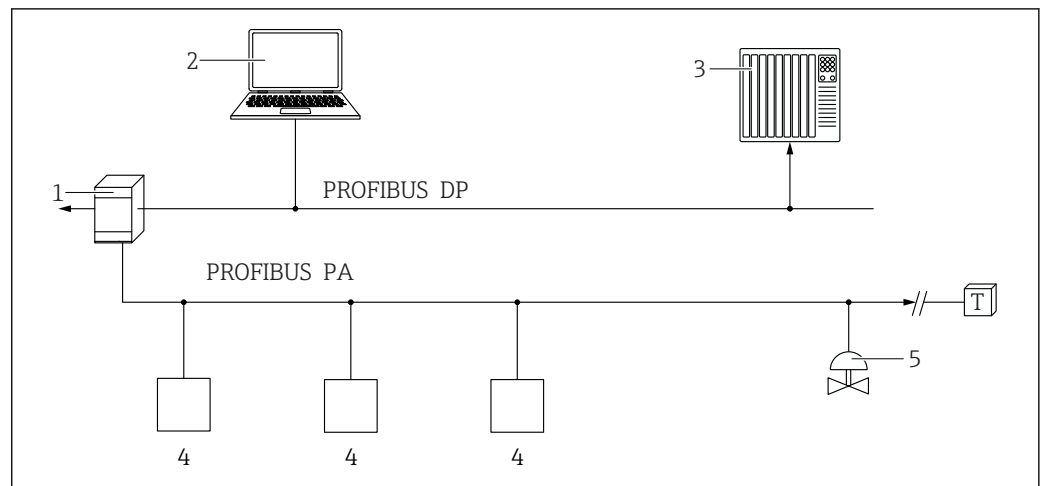
Before commissioning the measuring point, check whether the post-installation and post-connection checks have been performed.

 Post-mounting check

 Post-connection check

### 9.3 Connecting via FieldCare and DeviceCare

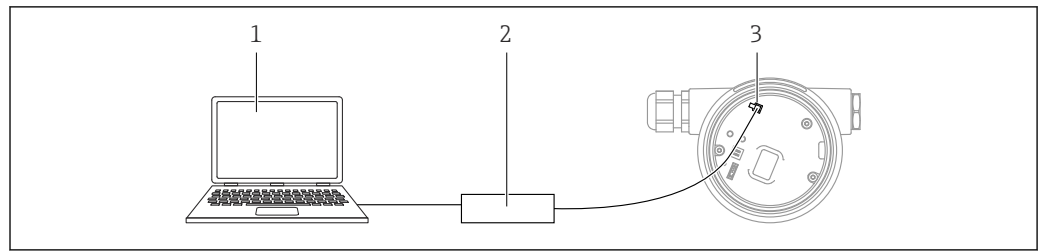
#### 9.3.1 Via PROFIBUS PA protocol



- 1 Segment coupler
- 2 Computer with PROFibus and operating tool (e.g. DeviceCare/FieldCare)
- 3 PLC (programmable logic controller)
- 4 Transmitter
- 5 Additional functions (valves etc.)

A0050944

### 9.3.2 Via service interface (CDI)



- 1 Computer with FieldCare/DeviceCare operating tool  
 2 Commubox  
 3 Service interface (CDI) of the device (= Endress+Hauser Common Data Interface)

## 9.4 Setting the operating language

### 9.4.1 Local display

#### Setting the operating language

**i** To set the operating language, the display first needs to be unlocked:

1. Press the **ESC** key for at least 2 s.  
 ↳ A dialog box appears.
2. Unlock the display operation.
3. Select the **Language** parameter in the main menu.
4. Press the **ESC** key.
5. Select the desired language with the **+** or **-** key.
6. Press the **ESC** key.

**i** Display operation locks automatically (except in the **Safety mode** wizard):

- after 1 min on the main page if no key has been pressed
- after 10 min within the operating menu if no key has been pressed

### 9.4.2 Operating tool

Set display language

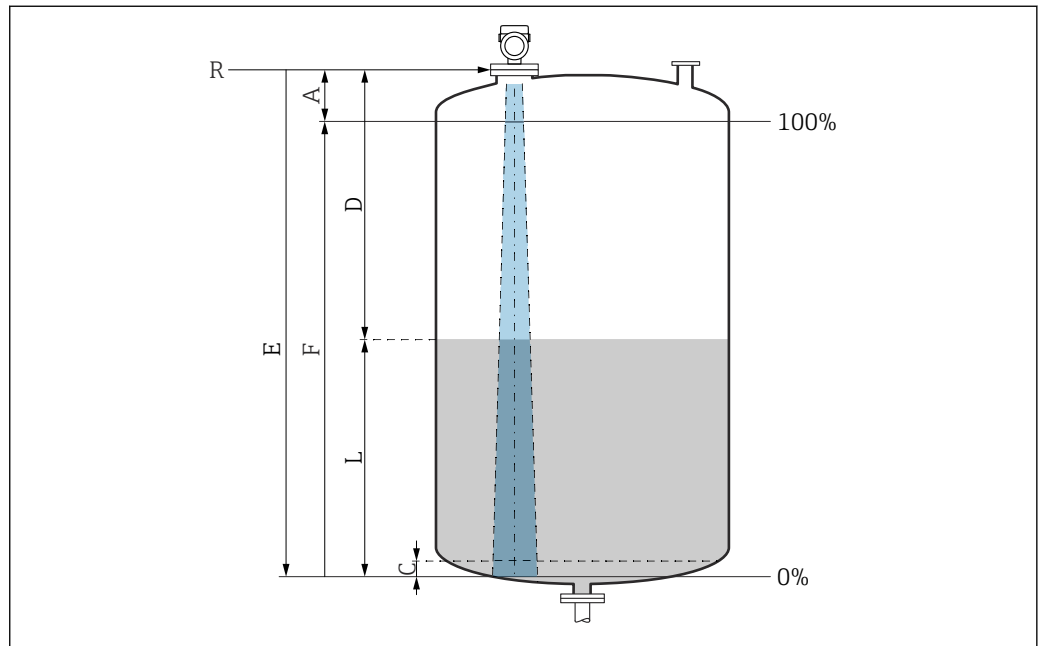
System → Display → Language

Selection in the **Language** parameter; Visibility depends on order options or device settings



## 9.5 Configuring the device


### 9.5.1 Level measurement in liquids



A0016933

 13 Configuration parameters for level measurement in liquids

- R Reference point of measurement
- A Length of antenna + 10 mm (0.4 in)
- C 50 to 80 mm (1.97 to 3.15 in); medium  $\epsilon_r < 2$
- D Distance
- L Level
- E "Empty calibration" parameter (= 0 %)
- F "Full calibration" parameter (= 100 %)

In the case of media with a low dielectric constant,  $\epsilon_r < 2$ , the tank floor may be visible through the medium at very low levels (lower than level C). Reduced accuracy must be expected in this range. If this is not acceptable, the zero point should be positioned at a distance C above the tank floor in these applications →  Configuration parameters for level measurement in liquids.

### 9.5.2 Commissioning with the Commissioning wizard

In FieldCare, DeviceCare, SmartBlue and on the display, the **Commissioning** wizard is available to guide the user through the initial commissioning steps.

Complete this wizard to commission the device.

For each parameter, enter the appropriate value or select the appropriate option.

#### NOTE

If you exit the wizard before completing all required parameters, the changes you have made will be saved. For this reason, the device may then be in an undefined state! In this case, a reset to the default settings is recommended.

## 9.6 Recording the Echo curve

 The Echo curve is only saved in the relevant operating tool.

**Record the current Echo curve as a reference echo curve for subsequent diagnostic purposes.**

After the measurement has been configured, it is recommended to record the current Echo curve as a reference echo curve.

The **Save reference curve** parameter in the **Echo curve** submenus used to record the Echo curve.

Diagnostics → Echo curve → Save reference curve

- ▶ Under the **Save reference curve** parameter, activate the **Customer reference curve** option




## 9.7 "Simulation" submenu

Simulation of a process variable, a pulse output or a diagnostic event.

## 10 Operation

### 10.1 Reading off the device locking status

Displaying active write protection in the **Locking status** parameter

- Local display :  
The  symbol appears on the main page
- Operating tool (FieldCare/DeviceCare) :  
Navigation: System → Device management → Locking status

### 10.2 Reading off measured values

All the measured values can be read off using the **Measured values** submenu.

Navigation: **Application** menu → **Measured values** submenu

### 10.3 Adapting the device to process conditions

The following menus are available for this purpose:

- Basic settings in the **Guidance** menu
- Advanced settings in:
  - **Diagnostics** menu
  - **Application** menu
  - **System** menu

### 10.4 Heartbeat Technology (optional)


#### 10.4.1 Heartbeat Verification


##### "Heartbeat Verification" wizard

This wizard is used to start an automatic verification of the device functionality. The results can be documented as a verification report.

- The wizard can be used via the operating tools and the display  
The wizard can be started on the display but only shows the **Passed** option or **Failed** option result.
- The wizard guides the user through the entire process for creating the verification report

#### 10.4.2 Heartbeat Verification/Monitoring

 The **Heartbeat** submenu is only available if operating via FieldCare, DeviceCare or the SmartBlue app. It contains the wizards that are available with the application packages Heartbeat Verification and Heartbeat Monitoring.

 Documentation on the Heartbeat Technology: Endress+Hauser website: [www.endress.com](http://www.endress.com) → Downloads.

# 11 Diagnostics and troubleshooting

## 11.1 General troubleshooting

### 11.1.1 General errors

#### Device is not responding

- Possible cause: Supply voltage does not match the specification on the nameplate  
Remedial action: Apply the correct voltage
- Possible cause: The connecting cables are not in contact with the terminals  
Remedial action: Check the electrical contact between cables and correct if necessary

#### Values not visible on the display

- Possible cause: Display setting is too bright or too dark  
Remedy:  
Use the **Contrast display** parameter to increase or reduce contrast  
Navigation path: System → Display → Contrast display
- Possible cause: The plug of the display cable is not connected correctly  
Remedial action: Connect the plug correctly
- Possible cause: Display is defective  
Remedial action: Replace the display

#### "Communication error" is indicated on the display when the device is started or the display is connected

- Possible cause: Electromagnetic interference influence  
Remedial action: Check grounding of the device
- Possible cause: Defective cable connection or display plug  
Remedial action: Replace the display

#### Communication via CDI interface not working

Possible cause: Wrong setting of the COM port on the computer

Remedial action: Check the setting of the COM port on the computer and correct it if necessary

#### Device measuring incorrectly

Possible cause: Parameter configuration error

Remedial action: Check and correct the parameter configuration

## 11.2 Error - SmartBlue operation

Operation via SmartBlue is only possible on devices that have a display with Bluetooth (optionally available).

#### Device is not visible in the live list

- Possible cause: No Bluetooth connection available  
Remedial action: Enable Bluetooth in the field device via display or software tool and/or in the smartphone/tablet
- Possible cause: Bluetooth signal outside range  
Remedial action: Reduce distance between field device and smartphone/tablet  
The connection has a range of up to 25 m (82 ft).  
Operating radius with intervisibility 10 m (33 ft)
- Possible cause: Geopositioning is not enabled on Android devices or is not permitted for the SmartBlue app  
Remedial action: Enable/disable geolocation service on Android device for the SmartBlue app
- Display does not have Bluetooth
- Historom is not connected

**Device appears in the live list but a connection cannot be established**

- Possible cause: The device is already connected with another smartphone/tablet via Bluetooth  
 Only one point-to-point connection is permitted  
 Remedial action: Disconnect the smartphone/tablet from the device
- Possible cause: Incorrect user name and password  
 Remedial action: The standard user name is "admin" and the password is the device serial number indicated on the device nameplate (only if the password was not changed by the user beforehand)  
 If the password has been forgotten, contact Endress+Hauser Service ([www.addresses.endress.com](http://www.addresses.endress.com))

**Connection via SmartBlue not possible**

- Possible cause: Incorrect password entered  
 Remedial action: Enter the correct password, paying attention to lower/upper case
- Possible cause: Forgotten password  
 Remedial action: Contact Endress+Hauser Service ([www.addresses.endress.com](http://www.addresses.endress.com))

**Login via SmartBlue not possible**

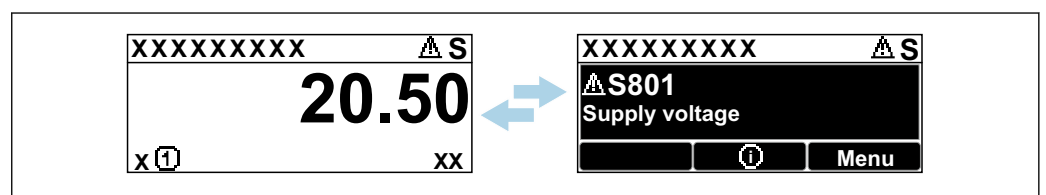
- Possible cause: Device is being put into operation for the first time  
 Remedial action: Enter the user name "admin" and the password (device serial number), paying attention to lower/upper case
- Possible cause: The electric current and voltage are not correct.  
 Remedial action: Increase the supply voltage.

**Device cannot be operated via SmartBlue**

- Possible cause: Incorrect password entered  
 Remedial action: Enter the correct password, paying attention to lower/upper case
- Possible cause: Forgotten password  
 Remedial action: Contact Endress+Hauser Service ([www.addresses.endress.com](http://www.addresses.endress.com))
- Possible cause: **Operator** option has no authorization  
 Remedial action: System → User management → User role Change to **Maintenance** option

### 11.3 Diagnostic message

Faults detected by the self-monitoring system of the device are displayed as a diagnostic message in alternation with the measured value.

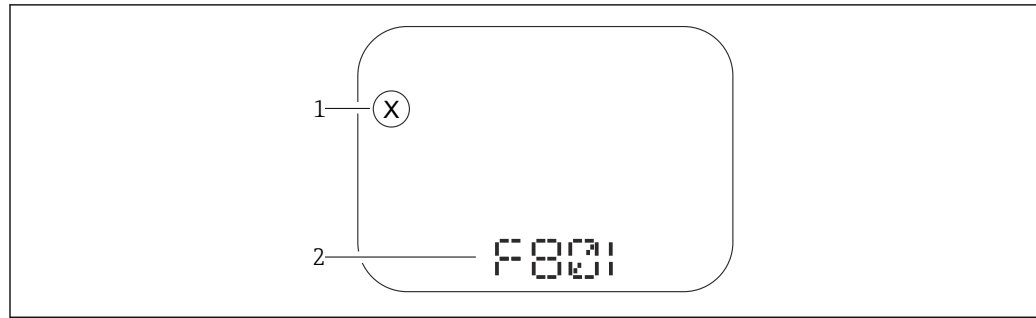


A0051136

14 Diagnostic message displayed in alternating sequence with the measured value

If two or more diagnostic events occur simultaneously, only the diagnostic message with the highest priority is shown.

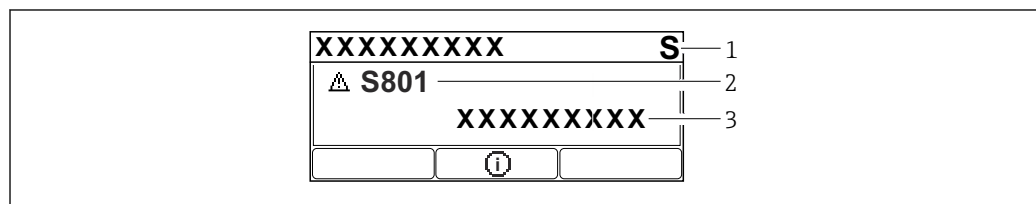
### 11.3.1 Diagnostic information on local display



A0043759

15 Segment display without keys

- 1 Status symbol for event level
- 2 Status signal with diagnostic event



A0043103

16 Graphic display with keys

- 1 Status signal
- 2 Status symbol with diagnostic event and preceding symbol for event level
- 3 Event text

### 11.3.2 Diagnostic information in the operating tool

If a diagnostic event has occurred in the device, the status signal appears in the top left status area of the operating tool together with the corresponding symbol for the event level according to NAMUR NE 107.

Click the status signal to see the detailed status signal.

Pending diagnostic messages can also be displayed in the **Active diagnostics** parameter.

The diagnostic events and remedial measures can be printed out in the **Diagnostic list** submenu.

### 11.3.3 Status signal

#### F

Failure (F)

A device error has occurred. The measured value is no longer valid.

#### C

Function check (C)

The device is in the service mode (e.g. during a simulation).

#### S

Out of specification (S)

Device operation:

- Outside of the technical specifications (e.g. during startup or a cleaning)
- Outside of the configuration performed by the user (e.g. sensor frequency outside the configured span)

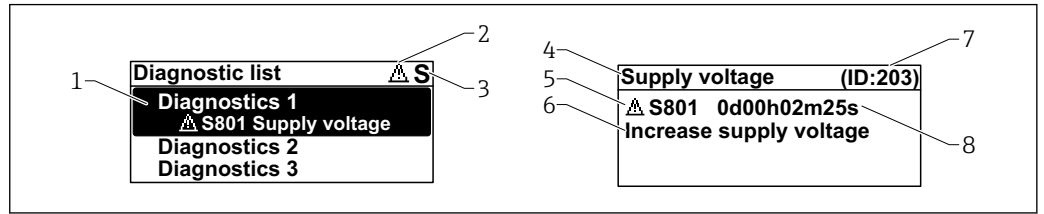
#### M

Maintenance required (M)

Maintenance required. The measured value is still valid.

### 11.3.4 Diagnostic event and event text

The fault can be identified by means of the diagnostic event. The event text helps you by providing information about the fault. In addition, the associated status symbol is displayed in front of the diagnostic event.



A0051137

- 1 Diagnostic message
- 2 Symbol for event level
- 3 Status signal
- 4 Short text
- 5 Symbol for event level, status signal, diagnostic number
- 6 Remedial measure
- 7 Service ID
- 8 Operating time of occurrence

#### Symbol for event level

##### ⊗ "Alarm" status

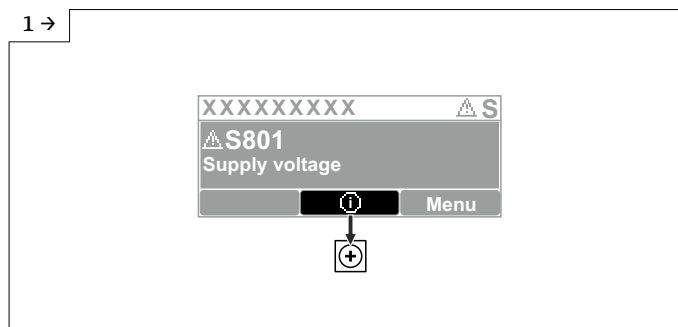
Measurement is interrupted. The signal outputs adopt the defined alarm state. A diagnostic message is generated.

##### ⚠ "Warning" status

The device continues to measure. A diagnostic message is generated.

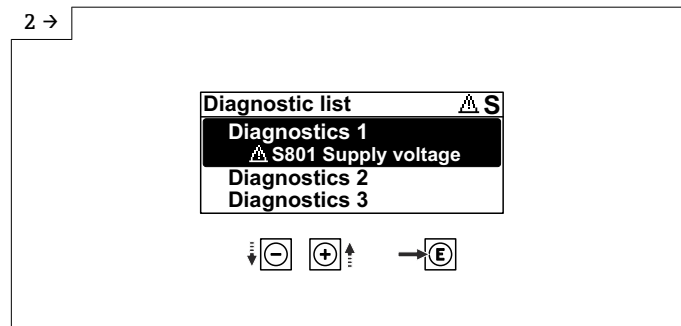
## 11.4 Remedy information Calling up

### 11.4.1 Graphic display with keys



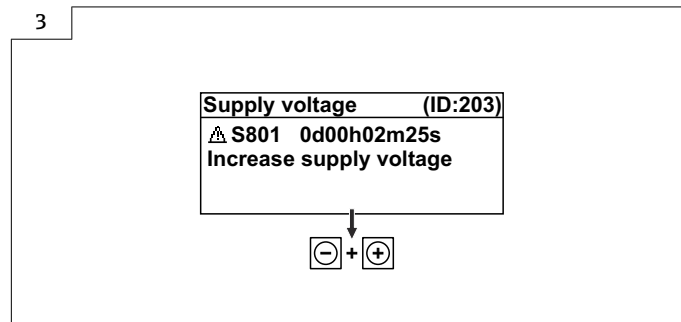
A0051131

- ▶ Open the **Diagnostic list** submenu



A0051132

- ▶ Select the diagnostic event and confirm



A0051133

- ▶ Remedy informationClosing

## 11.4.2 Operating menu

In the **Diagnostic list** submenu, up to 5 currently pending diagnostic messages can be displayed. If more than 5 messages are pending, the messages with the highest priority are shown on the display.

### Navigation path

Diagnostics → Diagnostic list

Queued diagnostic messages are also displayed in the **Active diagnostics** parameter.


Navigation: Diagnostics → Active diagnostics

## 11.5 Adapting the diagnostic information

The event level can be configured:

Navigation: Diagnostics → Diagnostic settings → Configuration

## 11.6 List of diagnostic events

 If Remedy information **Contact the Service Department** is displayed ([www.addresses.endress.com](http://www.addresses.endress.com)), be ready with the **service ID** shown.

Diagnostic number	Short text	Remedy instructions	Status signal [from the factory]	Diagnostic behavior [from the factory]
<b>Diagnostic of sensor</b>				
062	Sensor connection faulty	Check sensor connection	F	Alarm
151	Sensor electronic failure	1. Restart device 2. Contact service	F	Alarm



Diagnostic number	Short text	Remedy instructions	Status signal [from the factory]	Diagnostic behavior [from the factory]
168	Buildup detected	Check process conditions	M	Warning <sup>1)</sup>
<b>Diagnostic of electronic</b>				
242	Firmware incompatible	1. Check software 2. Flash or change main electronic module	F	Alarm
252	Module incompatible	1. Check if correct electronic module is plugged 2. Replace electronic module	F	Alarm
270	Main electronics defective	Replace main electronics or device.	F	Alarm
272	Main electronics faulty	1. Restart device 2. Contact service	F	Alarm
273	Main electronics defective	Replace main electronics or device.	F	Alarm
282	Data storage inconsistent	Restart device	F	Alarm
283	Memory content inconsistent	1. Restart device 2. Contact service	F	Alarm
287	Memory content inconsistent	1. Restart device 2. Contact service	M	Warning
388	Electronics and HistoROM defective	1. Restart device 2. Replace electronics and HistoROM 3. Contact service	F	Alarm
<b>Diagnostic of configuration</b>				
410	Data transfer failed	1. Retry data transfer 2. Check connection	F	Alarm
412	Processing download	Download active, please wait	C	Warning
435	Linearization faulty	Check linearization table	F	Alarm
437	Configuration incompatible	1. Update firmware 2. Execute factory reset	F	Alarm
438	Dataset different	1. Check dataset file 2. Check device parameterization 3. Download new device parameterization	M	Warning
482	Block in OOS	Set Block in AUTO mode	F	Alarm
484	Failure mode simulation active	Deactivate simulation	C	Alarm
485	Process variable simulation active	Deactivate simulation	C	Warning
495	Diagnostic event simulation active	Deactivate simulation	S	Warning
497	Block output simulation active	Deactivate simulation	C	Warning
538	Configuration Sensor Unit invalid	1. Check sensor configuration 2. Check device configuration	F	Alarm
585	Simulation distance	Deactivate simulation	C	Warning
586	Record map	Recording of mapping please wait	C	Warning

Diagnostic number	Short text	Remedy instructions	Status signal [from the factory]	Diagnostic behavior [from the factory]
<b>Diagnostic of process</b>				
801	Supply voltage too low	Increase supply voltage	F	Alarm
802	Supply voltage too high	Decrease supply voltage	S	Warning
825	Electronics temperature out of range	1. Check ambient temperature 2. Check process temperature	S	Warning
826	Sensor temperature out of range	1. Check ambient temperature 2. Check process temperature	S	Warning
941	Echo lost	Check parameter "DC value"	S	Warning <sup>1)</sup>
942	In safety distance	1. Check level 2. Check safety distance 3. Reset self holding	S	Warning <sup>1)</sup>
952	Foam detected	Check process conditions	S	Warning <sup>1)</sup>
968	Level limited	1. Check level 2. Check limit parameters	S	Warning

1) Diagnostic behavior can be changed.

## 11.7 Event logbook

### 11.7.1 Event history

A chronological overview of the event messages that have occurred is provided in the **Event logbook** submenu. This submenu only exists if operating via the local display with keys. In the case of operation via FieldCare, the event list can be displayed with the "Event List / HistoROM" functionality of FieldCare.

#### Navigation:

Diagnostics → Event logbook → Event list

A maximum of 100 event messages can be displayed in chronological order.




The event history includes entries for:

- Diagnostic events
- Information events

In addition to the operating time when the event occurred, each event is also assigned a symbol that indicates whether the event has occurred or is finished:

- Diagnostic event
  - ☺: Occurrence of the event
  - ☹: End of the event
- Information event
  - ☺: Occurrence of the event

#### Calling up and closing the remedial measures

1. Press .
  - ↳ The message for the remedial measures for the selected diagnostic event opens.
2. Press  +  simultaneously.
  - ↳ The message about the remedial measures closes.

### 11.7.2 Filtering the event logbook

Filters can be used to determine which category of event messages is displayed in the **Event list** submenu.

Navigation: Diagnostics → Event logbook

#### Filter categories

- All
- Failure (F)
- Function check (C)
- Out of specification (S)
- Maintenance required (M)
- Information

### 11.7.3 Overview of information events


Info number	Info name
I1000	----- (Device ok)
I1079	Sensor changed
I1089	Power on
I1090	Configuration reset
I1091	Configuration changed
I11074	Device verification active
I1110	Write protection switch changed
I1151	History reset
I1154	Reset terminal voltage min/max
I1155	Reset electronics temperature
I1157	Memory error event list
I1256	Display: access status changed
I1335	Firmware changed
I1397	Fieldbus: access status changed
I1398	CDI: access status changed
I1440	Main electronic module changed
I1444	Device verification passed
I1445	Device verification failed
I1461	Sensor verification failed
I1512	Download started
I1513	Download finished
I1514	Upload started
I1515	Upload finished
I1551	Assignment error fixed
I1552	Failed: Main electronic verification
I1556	Safety mode off
I1956	Reset

## 11.8 Resetting the device

### 11.8.1 Reset password via operating tool

Enter a code to reset the current "Maintenance" password.  
The code is delivered by your local support.


Navigation: System → User management → Reset password → Reset password

 For detailed information on the **Reset password** parameter: Description of device parameters.

### 11.8.2 Reset device via operating tool

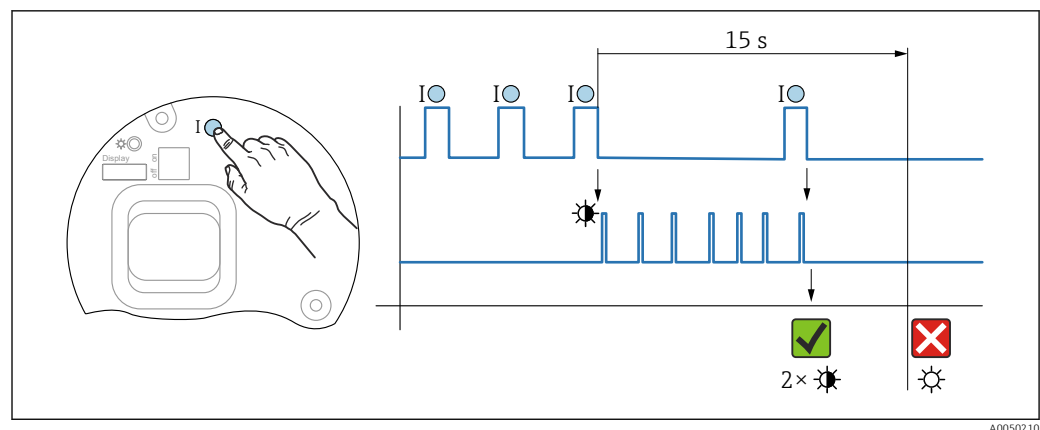
Reset the device configuration - either entirely or in part - to a defined state


Navigation: System → Device management → Reset device

 For detailed information on the **Reset device** parameter: Description of device parameters.

### 11.8.3 Resetting the device via keys on the electronic insert

#### Resetting the password



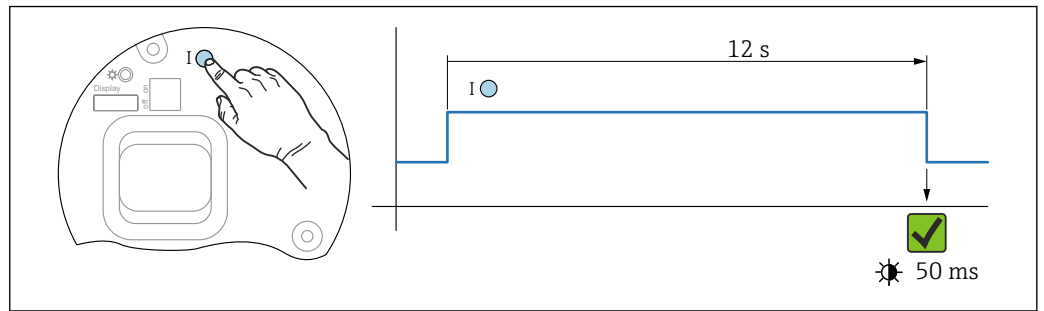
 17 Sequence for resetting the password

#### Delete/reset the password

1. Press operating key **I** three times.
  - ↳ The reset password function is started, the LED flashes.
2. Press operating key **I** once within 15 s.
  - ↳ The password is reset, the LED flashes briefly.

If operating key **I** is not pressed within 15 s, the action is canceled and the LED is no longer lit.

### Resetting the device to the factory setting



18 Sequence - Factory setting

A0050015

### Reset the device to the factory setting

- ▶ Press operating key **I** for at least 12 s.
  - ↳ Device data are reset to the factory setting, the LED flashes briefly.

## 11.9 Device information

All device information is contained in the **Information** submenu.

Navigation: System → Information

For detailed information on the **Information** submenu: Description of device parameters.

### 11.10 Firmware history

The firmware version can explicitly be ordered via the product structure. This makes it possible to ensure the compatibility of the firmware version with an existing or planned system integration.

#### Version

**01.00.00**

- Initial software
- Valid from: 11.01.2023


## 12 Maintenance

No special maintenance work is required.

## 12.1 Cleaning

### 12.1.1 Cleaning of surfaces not in contact with the medium

- Recommendation: Use a lint-free cloth that is either dry or slightly dampened using water.
- Do not use any sharp objects or aggressive cleaning agents that corrode the surfaces (displays, housing, for example) and seals.
- Do not use high-pressure steam.
- Observe the degree of protection of the device.


 The cleaning agent used must be compatible with the materials of the device configuration. Do not use cleaning agents with concentrated mineral acids, bases or organic solvents.

### 12.1.2 Cleaning of surfaces in contact with the medium

Note the following for cleaning and sterilization in place (CIP/SIP):

- Use only cleaning agents to which the materials in contact with the medium are sufficiently resistant.
- Observe the permitted maximum medium temperature.

## 12.2 Seals

 The process seals, located on the process connection of the device, should be replaced periodically. The interval between changes depends on the frequency of the cleaning cycles, the cleaning temperature and the medium temperature.

## 13 Repair

### 13.1 General information

#### 13.1.1 Repair concept

Endress+Hauser repair concept

- The devices have a modular design
- Repairs can be carried out by Endress+Hauser Service or by appropriately trained customers
- Spare parts are grouped into logical kits with the associated replacement instructions

 For more information on service and spare parts, please contact your Endress+Hauser sales representative.

#### 13.1.2 Repairs to Ex-approved devices

##### **WARNING**

**Incorrect repair can compromise electrical safety!**

Explosion hazard!

- ▶ Only specialist personnel or the manufacturer's service team may carry out repairs on Ex-certified devices in accordance with national regulations.
- ▶ Relevant standards and national regulations on hazardous areas, safety instructions and certificates must be observed.
- ▶ Only use original spare parts from the manufacturer.
- ▶ Please note the device designation on the nameplate. Only identical parts may be used as replacements.
- ▶ Carry out repairs according to the instructions.
- ▶ Only the manufacturer's service team is permitted to modify a certified device and convert it to another certified version.

### 13.2 Spare parts



For spare parts currently available for the product, see online at:  
<https://www.endress.com/deviceviewer> (→ Enter serial number)

### 13.3 Replacement

After an entire device or an electronics module has been replaced, the parameters can be downloaded to the device again via the communication interface. For this, the data must have been uploaded to the PC beforehand using the FieldCare/DeviceCare software.

#### 13.3.1 HistoROM

It is not necessary to perform a new device calibration after replacing the display or transmitter electronics.

 The spare part is supplied without HistoROM.


After removing the transmitter electronics, remove HistoRom and insert it into the new spare part.

## 13.4 Return

The requirements for safe device return can vary depending on the device type and national legislation.

1. Refer to the web page for information:  
<https://www.endress.com/support/return-material>  
↳ Select the region.
2. If returning the device, pack the device in such a way that it is reliably protected against impact and external influences. The original packaging offers the best protection.

## 13.5 Disposal

-  If required by the Directive 2012/19/EU on waste electrical and electronic equipment (WEEE), the product is marked with the depicted symbol in order to minimize the disposal of WEEE as unsorted municipal waste. Do not dispose of products bearing this marking as unsorted municipal waste. Instead, return them to the manufacturer for disposal under the applicable conditions.



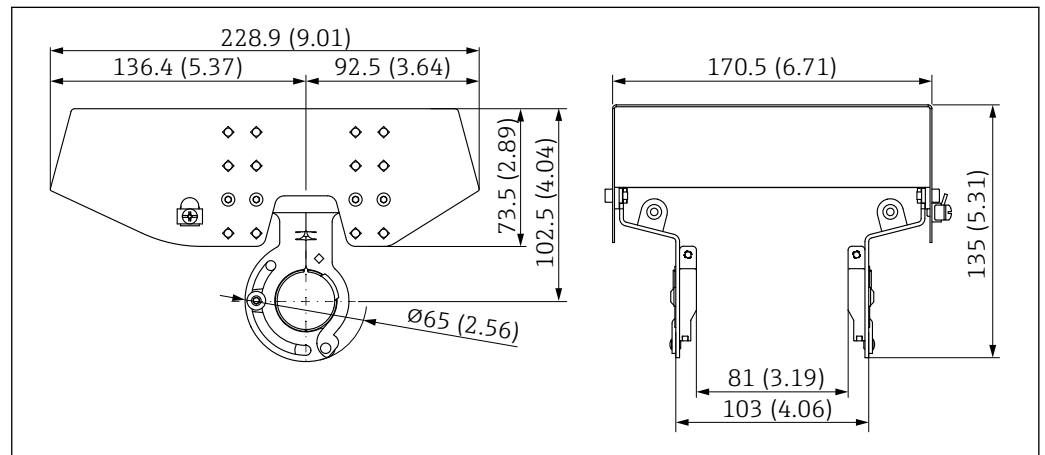
## 14 Accessories

### 14.1 Weather protection cover: 316L, XW112

The weather protection cover can be ordered together with the device via the "Accessory enclosed" product structure.

It is used to protect against direct sunlight, precipitation and ice.

Weather protection cover 316L is suitable for the dual compartment housing made of aluminum or 316L. The delivery includes the holder for direct mounting on the housing.



19 Dimensions of weather protection cover, 316 L, XW112. Unit of measurement mm (in)

#### Material

- Weather protection cover: 316L
- Clamping screw: A4
- Holder: 316L

#### Accessory order code:

71438303

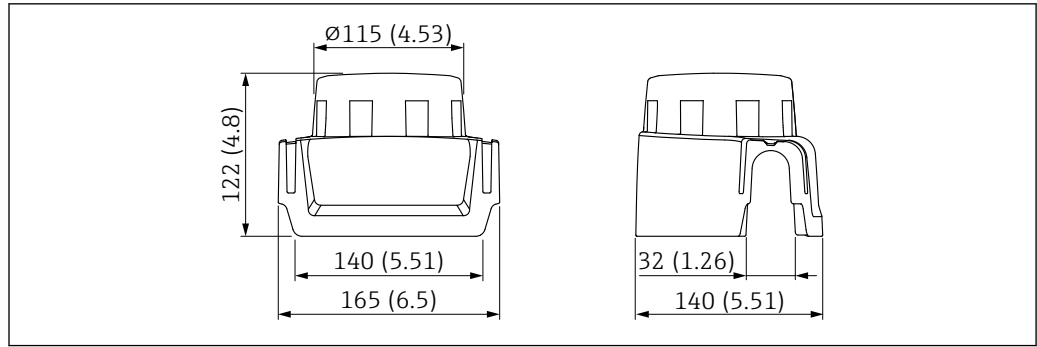
 Special documentation SD02424F

### 14.2 Weather protection cover, plastic, XW111

The weather protection cover can be ordered together with the device via the "Accessory enclosed" product structure.

It is used to protect against direct sunlight, precipitation and ice.

The plastic weather protection cover is suitable for the single compartment housing made of aluminum. The delivery includes the holder for direct mounting on the housing.



A0038280

20 Dimensions of weather protection cover, plastic, XW111. Unit of measurement mm (in)

### Material

Plastic

### Accessory order code:

71438291

 Special documentation SD02423F

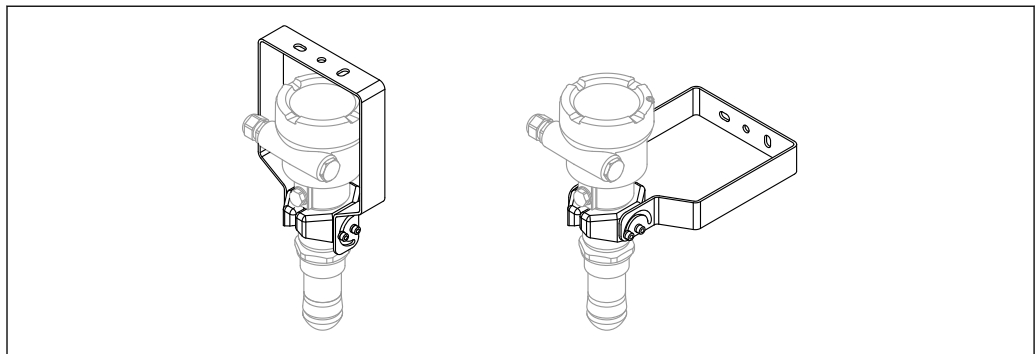
## 14.3 Mounting bracket adjustable, FMR6xB

The device can be mounted on a wall or ceiling with the mounting bracket.

The device can be aligned with the product surface with the swivel function.


The mounting bracket can be ordered together with the device via the product structure "Accessory enclosed".

Suitable for device with single compartment plastic housing, single compartment aluminum housing or dual compartment L-shaped aluminum housing, each in combination with encapsulated antenna, 40 mm (1.5 in) PVDF or 50 mm (2 in) drip-off antenna with process connection thread.



A0048745

21 Mounting bracket adjustable FMR6xB; ceiling or wall mounting

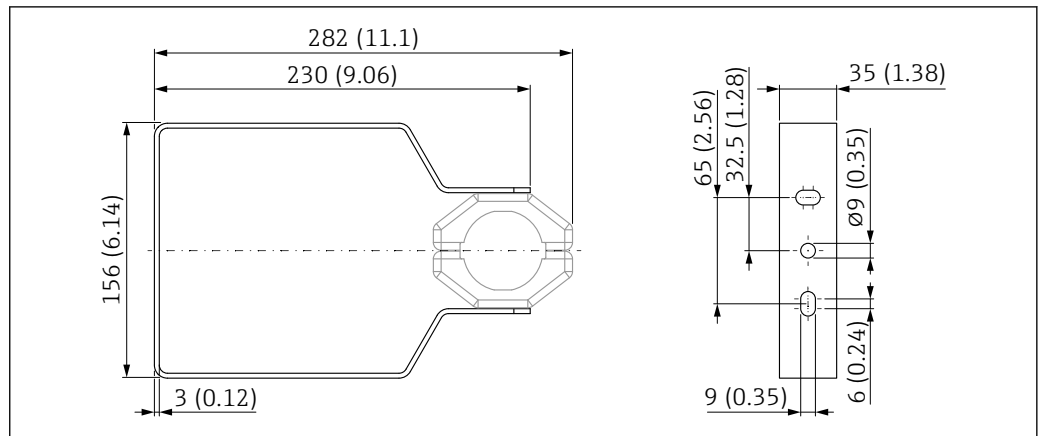
 There is **no** conductive connection between the mounting bracket and the transmitter housing. The bracket should be included in local potential equalization to prevent any electrostatic charge.

Fasten only to stable materials (e.g. metal, brick, concrete) with suitable fastening fixtures (provided by the customer).

### Accessory order code:

71597288

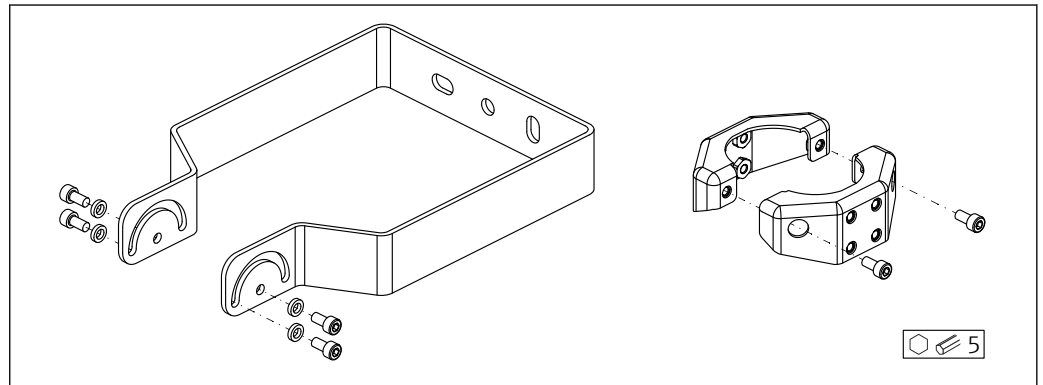
### 14.3.1 Dimensions



A0048769

22 Dimensions; mounting bracket adjustable FMR6xB. Unit of measurement mm (in)

### 14.3.2 Scope of delivery



A0049050

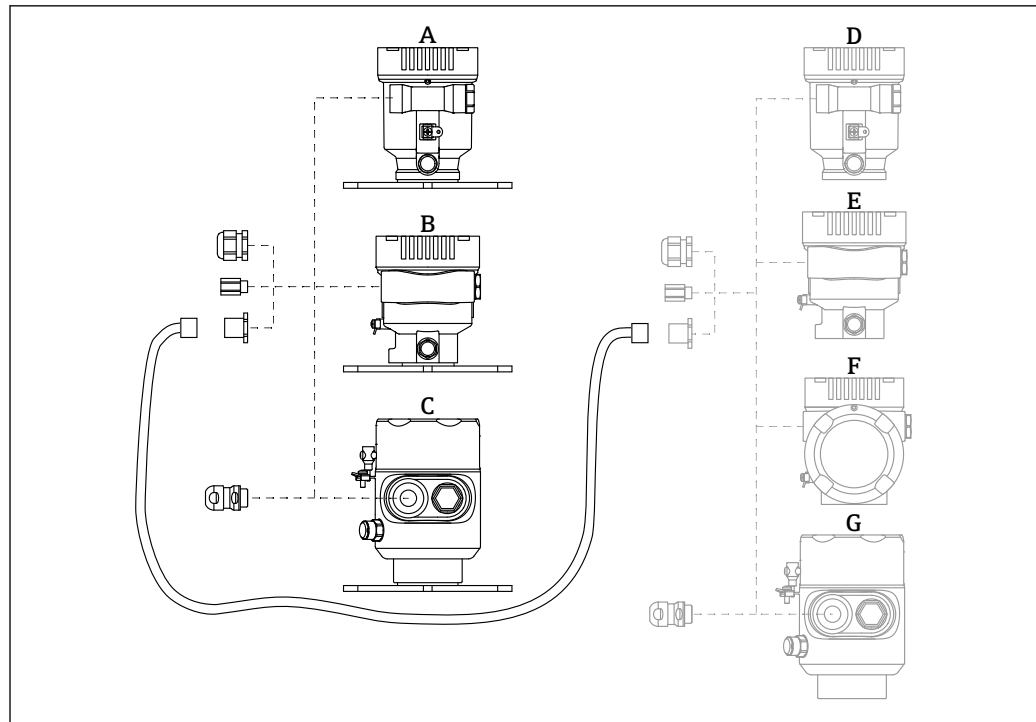
23 Scope of delivery; mounting bracket adjustable FMR6xB

- 1 × mounting bracket, 316L (1.4404)
- 2 × holder, 316L (1.4404)
- 6 × screws, A4
- 4 × lock washer, A4

## 14.4 Remote display FHX50B

The remote display is ordered via the Product Configurator.

If the remote display is to be used, the device version **Prepared for display FHX50B** must be ordered.



A0046692

- A Single compartment housing, plastic, remote display  
 B Single compartment housing, aluminum, remote display  
 C Single-compartment housing, 316L hygiene, remote display  
 D Device side, single compartment housing, plastic, prepared for FHX50B display  
 E Device side, single compartment housing, aluminum, prepared for FHX50B display  
 F Device side, dual compartment housing, L-shaped, prepared for FHX50B display  
 G Device side, single compartment housing, 316 L hygiene, prepared for FHX50B display

### Single compartment housing material, remote display

- Aluminum
- Plastic

### Degree of protection:

- IP68 / NEMA 6P
- IP66 / NEMA 4x

### Connecting cable:

- Connecting cable (option) up to 30 m (98 ft)
- Standard cable supplied by customer up to 60 m (197 ft)  
 Recommendation: EtherLine®-P CAT.5e from LAPP.

### Specification of customer-supplied connecting cable

Push-in CAGE CLAMP® connection technology, push actuation

- Conductor cross-section:
  - Solid conductor 0.2 to 0.75 mm<sup>2</sup> (24 to 18 AWG)
  - Fine-stranded conductor 0.2 to 0.75 mm<sup>2</sup> (24 to 18 AWG)
  - Fine-stranded conductor; with insulated ferrule 0.25 to 0.34 mm<sup>2</sup>
  - Fine-stranded conductor; without insulated ferrule 0.25 to 0.34 mm<sup>2</sup>
- Stripping length 7 to 9 mm (0.28 to 0.35 in)
- Outer diameter: 6 to 10 mm (0.24 to 0.4 in)
- Maximum cable length: 60 m (197 ft)

### Ambient temperature:

- -40 to +80 °C (-40 to +176 °F)
- Option: -50 to +80 °C (-58 to +176 °F)



Special documentation SD02991F


## 14.5 Gas-tight feedthrough

Chemically inert glass feedthrough, which prevents gases from entering the electronics housing.

Can optionally be ordered as "Accessory mounted" via the product structure.


## 14.6 Field Xpert SMT70

Universal, high-performance tablet PC for device configuration in Ex Zone 2 and non-Ex areas

 Technical Information TI01342S

## 14.7 DeviceCare SFE100


Configuration tool for HART, PROFIBUS and FOUNDATION Fieldbus field devices

 Technical Information TI01134S

## 14.8 FieldCare SFE500

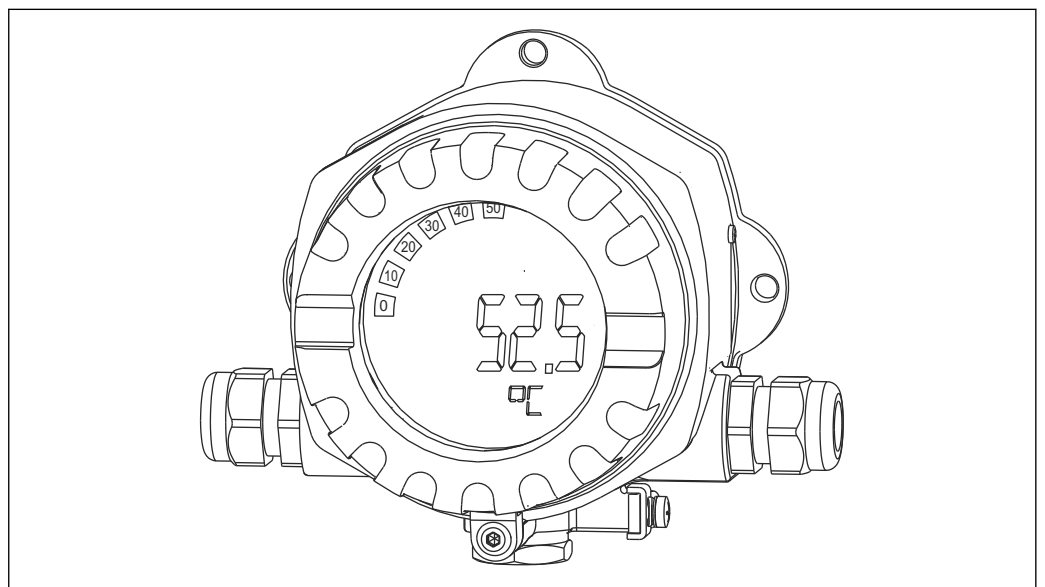
FDT-based plant asset management tool

It can configure all smart field units in your system and helps you manage them. By using the status information, it is also a simple but effective way of checking their status and condition.

 Technical Information TI00028S

## 14.9 RID14

8-channel field indicator for fieldbus systems



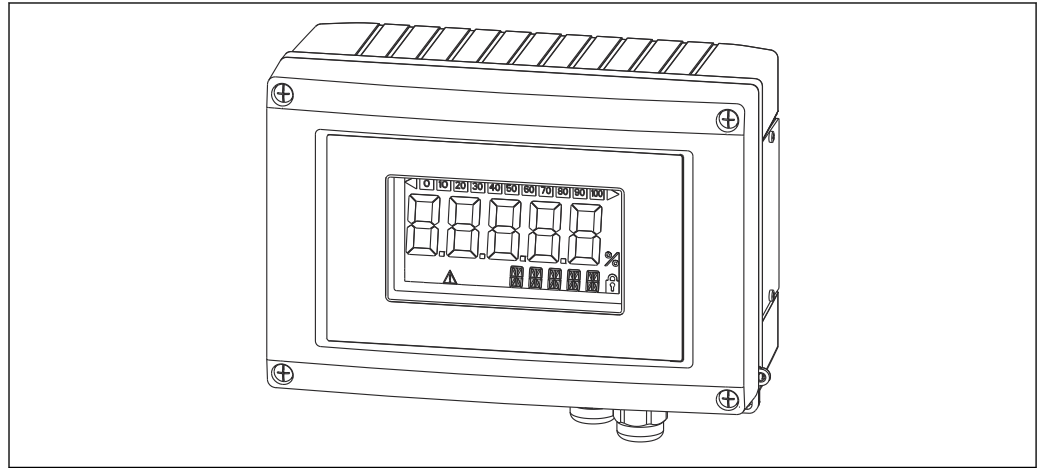
A0011631

Displays 8 process- or calculated values for FOUNDATION Fieldbus™ or PROFIBUS® PA protocol

 Technical Information TI00145R and Operating Instructions BA01267K

## 14.10 RID16

8-channel field indicator for fieldbus systems

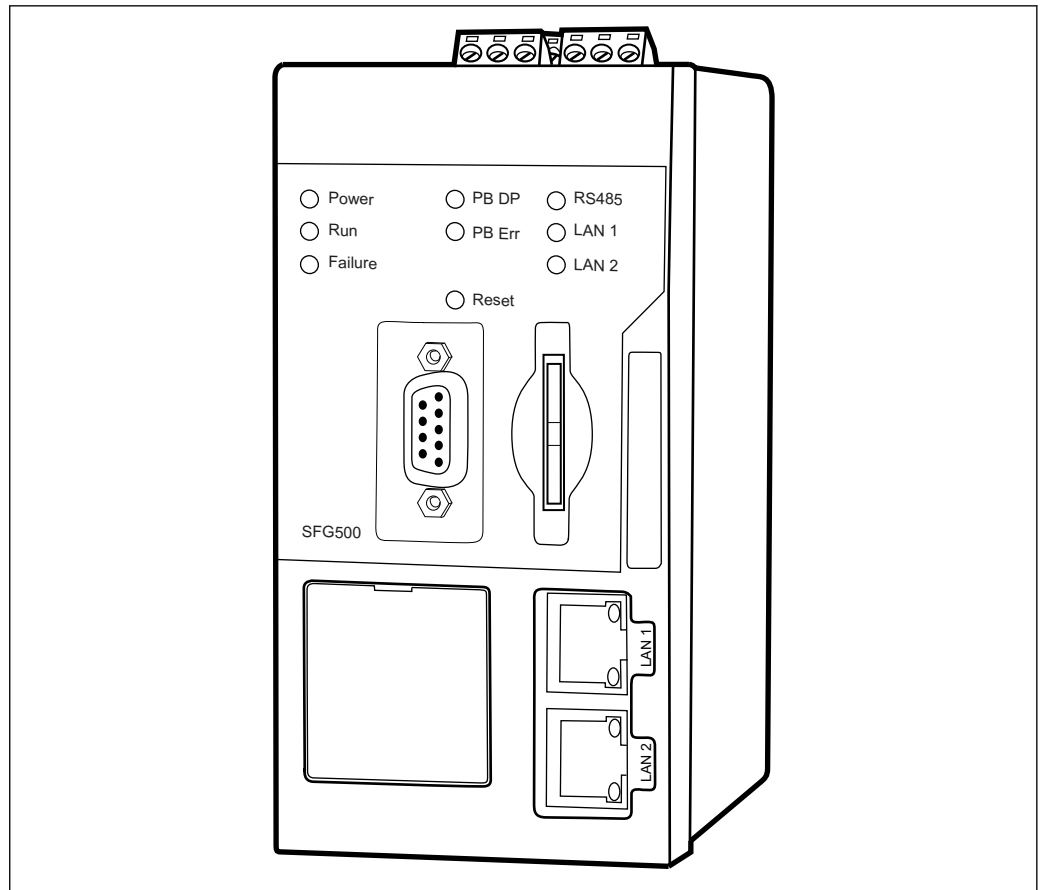


Displays 8 process- or calculated values for FOUNDATION Fieldbus™ or PROFIBUS® PA protocol

 Technical Information TI00146R and Operating Instructions BA00284R

## 14.11 Fieldgate SFG500

Smart Ethernet/PROFIBUS gateway



A0028262

Parallel access to PROFIBUS networks, PROFIBUS and HART device status monitoring  
Ethernet gateway basic mode with integrated web server and adaptive PROFIBUS master,  
Class 2 for communication with PROFIBUS devices.

**Order number for accessories:**

71116672



Operating Instructions BA01579S

## 15 Technical data

### 15.1 Input

---

**Measured variable** The measured variable is the distance between the reference point and the product surface. The level is calculated based on "E", the empty distance entered.

---

**Measuring range** The measuring range starts at the point where the beam hits the tank floor. Levels below this point cannot be measured, particularly in the case of spherical bases or conical outlets.

#### Maximum measuring range

The maximum measuring range depends on the antenna size and design.

Antenna	Maximum measuring range
Encapsulated, PVDF, 40 mm (1.5 in)	40 m (131 ft)
Drip-off, PTFE, 50 mm (2 in)	50 m (164 ft)
Integrated, PEEK, 20 mm (0.75 in)	10 m (32.8 ft)
Integrated, PEEK, 40 mm (1.5 in)	22 m (72 ft)

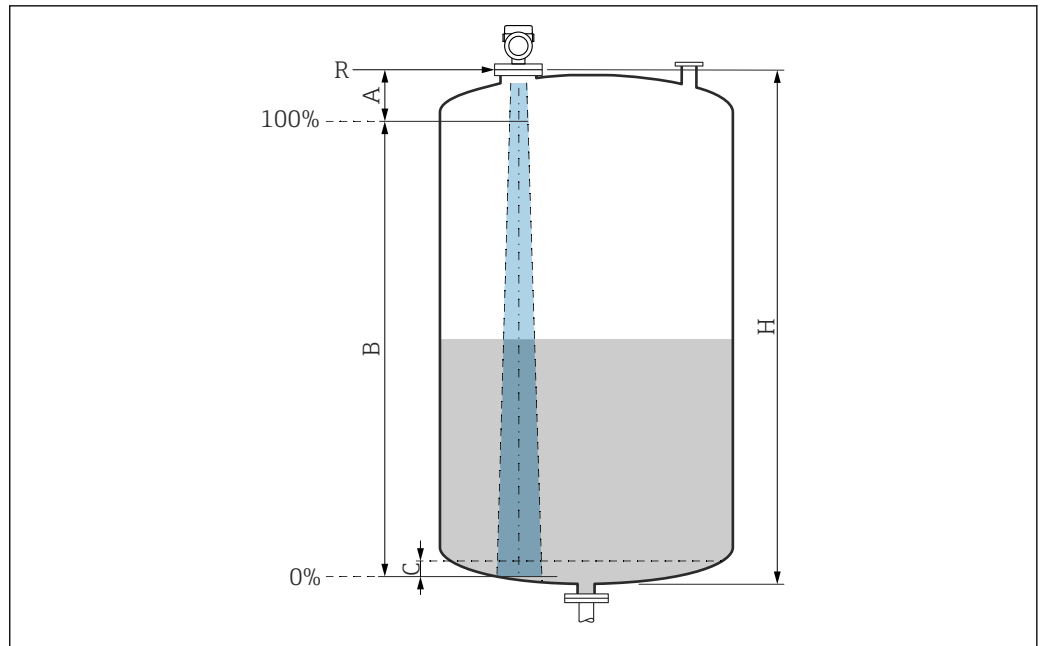
#### Usable measuring range

The usable measuring range depends on the antenna size, the medium's reflective properties, the installation position and any possible interference reflections.

In principle, measurement is possible up to the tip of the antenna.

To avoid any material damage from corrosive or aggressive media or deposit buildup on the antenna, the end of the measuring range should be selected 10 mm (0.4 in) before the tip of the antenna.





A0051658

24 Usable measuring range

A Length of antenna + 10 mm (0.4 in)

B Usable measuring range

C 50 to 80 mm (1.97 to 3.15 in); medium  $\epsilon_r < 2$

H Vessel height

R Reference point of measurement, varies depending on the antenna system

For further information on the reference point, see → Mechanical construction.

In the case of media with a low dielectric constant,  $\epsilon_r < 2$ , the tank floor may be visible through the medium at very low levels (lower than level C). Reduced accuracy must be expected in this range. If this is not acceptable, the zero point should be positioned at a distance C above the tank floor in these applications → Usable measuring range.

The media groups and the possible measuring range are described as a function of the application and media group in the following section. If the dielectric constant of the medium is not known, to ensure a reliable measurement assume the medium belongs to group B.

**Media groups**

- **A0** ( $\epsilon_r$  1.2 to 1.4)  
e.g. n-butane, liquid nitrogen, liquid hydrogen
- **A** ( $\epsilon_r$  1.4 to 1.9)  
Non-conductive liquids, e.g. liquefied gas
- **B** ( $\epsilon_r$  1.9 to 4)  
Non-conductive liquids, e.g. gasoline, oil, toluene, etc.
- **C** ( $\epsilon_r$  4 to 10)  
e.g. concentrated acid, organic solvents, ester, aniline, etc.
- **D** ( $\epsilon_r >10$ )  
Conductive liquids, aqueous solutions, diluted acids, bases and alcohol

**i** **Measurement of the following media with absorbing gas phase**

For example:

- Ammonia
- Acetone
- Methylene chloride
- Methyl ethyl ketone
- Propylene oxide
- VCM (vinyl chloride monomer)

To measure absorbing gases, either use a guided radar, measuring devices with another measuring frequency or another measuring principle.

If measurements must be performed in one of these media, please contact Endress +Hauser.

**i** For the relative permittivity values ( $\epsilon_r$  values) of many media commonly used in industry, please refer to:

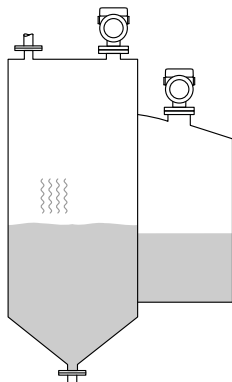
- Relative permittivity ( $\epsilon_r$  value), Compendium CP01076F
- The Endress+Hauser "DC Values app" (available for Android and iOS)

*Measurement in storage vessel*

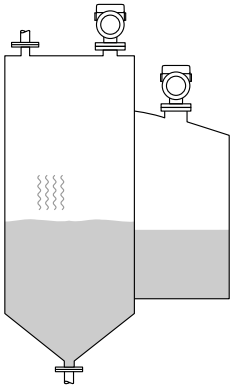
**Storage vessel - measuring conditions**

Calm medium surface (e.g. bottom filling, filling via immersion tube or rare filling from above)

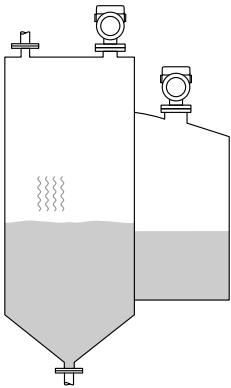
*Integrated antenna, PEEK, 20 mm (0.75 in) in storage vessel*

	Media group	Measuring range
	<b>A0</b> ( $\epsilon_r$ 1.2 to 1.4)	1.5 m (5 ft)
	<b>A</b> ( $\epsilon_r$ 1.4 to 1.9)	2.5 m (8 ft)
	<b>B</b> ( $\epsilon_r$ 1.9 to 4)	5 m (16 ft)
	<b>C</b> ( $\epsilon_r$ 4 to 10)	8 m (26 ft)
	<b>D</b> ( $\epsilon_r >10$ )	10 m (33 ft)

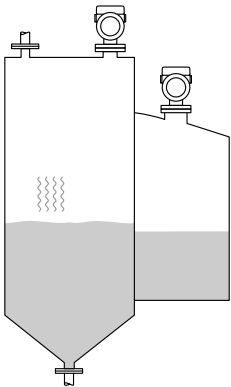
*Integrated antenna, PEEK, 40 mm (1.5 in) in storage vessel*

	Media group	Measuring range
	A0 ( $\epsilon_r$ 1.2 to 1.4)	3 m (10 ft)
	A ( $\epsilon_r$ 1.4 to 1.9)	6 m (20 ft)
	B ( $\epsilon_r$ 1.9 to 4)	11 m (36 ft)
	C ( $\epsilon_r$ 4 to 10)	15 m (49 ft)
	D ( $\epsilon_r >10$ )	22 m (72 ft)

*Encapsulated antenna, PVDF, 40 mm (1.5 in) in storage vessel*

	Media group	Measuring range
	A0 ( $\epsilon_r$ 1.2 to 1.4)	7 m (23 ft)
	A ( $\epsilon_r$ 1.4 to 1.9)	12 m (39.4 ft)
	B ( $\epsilon_r$ 1.9 to 4)	23 m (75.5 ft)
	C ( $\epsilon_r$ 4 to 10)	40 m (131 ft)
	D ( $\epsilon_r >10$ )	40 m (131 ft)

*PTFE Drip-off antenna, 50 mm (2 in) in storage vessel*

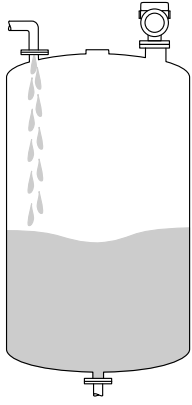
	Media group	Measuring range
	A0 ( $\epsilon_r$ 1.2 to 1.4)	7 m (23 ft)
	A ( $\epsilon_r$ 1.4 to 1.9)	12 m (39 ft)
	B ( $\epsilon_r$ 1.9 to 4)	23 m (75 ft)
	C ( $\epsilon_r$ 4 to 10)	40 m (131 ft)
	D ( $\epsilon_r >10$ )	50 m (164 ft)

*Measurement in the buffer vessel*

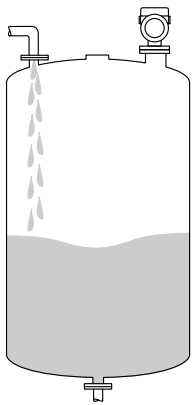
**Buffer vessel - measuring conditions**

Moving medium surface (e.g. permanent free filling from above, mixing jets)

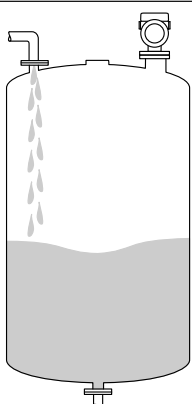
*Integrated antenna, PEEK, 20 mm (0.75 in) in buffer vessel*

	Media group	Measuring range
	A0 ( $\epsilon_r$ 1.2 to 1.4)	1 m (3.3 ft)
	A ( $\epsilon_r$ 1.4 to 1.9)	1.5 m (5 ft)
	B ( $\epsilon_r$ 1.9 to 4)	3 m (10 ft)
	C ( $\epsilon_r$ 4 to 10)	6 m (20 ft)
	D ( $\epsilon_r$ >10)	8 m (26 ft)

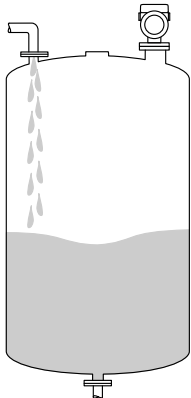
*Integrated antenna, PEEK, 40 mm (1.5 in) in buffer vessel*

	Media group	Measuring range
	A0 ( $\epsilon_r$ 1.2 to 1.4)	1.5 m (5 ft)
	A ( $\epsilon_r$ 1.4 to 1.9)	3 m (10 ft)
	B ( $\epsilon_r$ 1.9 to 4)	6 m (20 ft)
	C ( $\epsilon_r$ 4 to 10)	13 m (43 ft)
	D ( $\epsilon_r$ >10)	20 m (66 ft)

*Encapsulated antenna, PVDF, 40 mm (1.5 in) in buffer vessel*

	Media group	Measuring range
	A0 ( $\epsilon_r$ 1.2 to 1.4)	4 m (13 ft)
	A ( $\epsilon_r$ 1.4 to 1.9)	7.5 m (24.6 ft)
	B ( $\epsilon_r$ 1.9 to 4)	15 m (49.2 ft)
	C ( $\epsilon_r$ 4 to 10)	25 m (82 ft)
	D ( $\epsilon_r$ >10)	35 m (114.8 ft)

*PTFE Drip-off antenna, 50 mm (2 in) in buffer vessel*

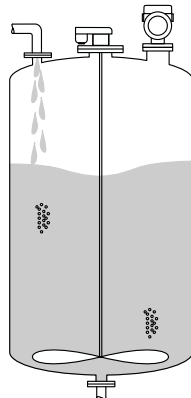
	Media group	Measuring range
	A0 ( $\epsilon_r$ 1.2 to 1.4)	4 m (13 ft)
	A ( $\epsilon_r$ 1.4 to 1.9)	7 m (23 ft)
	B ( $\epsilon_r$ 1.9 to 4)	13 m (43 ft)
	C ( $\epsilon_r$ 4 to 10)	28 m (92 ft)
	D ( $\epsilon_r$ >10)	44 m (144 ft)

*Measurement in vessel with agitator*

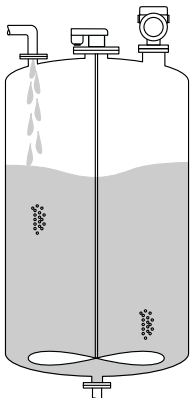
**Vessel with agitator - measuring conditions**

Turbulent medium surface (e.g. from filling from above, stirrers and baffles)

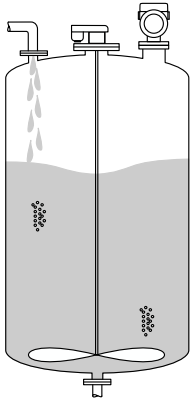
*Integrated antenna, PEEK, 20 mm (0.75 in) in vessel with agitator*

	Media group	Measuring range
	A ( $\epsilon_r$ 1.4 to 1.9)	1 m (3.3 ft)
	B ( $\epsilon_r$ 1.9 to 4)	1.5 m (5 ft)
	C ( $\epsilon_r$ 4 to 10)	3 m (10 ft)
	D ( $\epsilon_r$ >10)	5 m (16 ft)

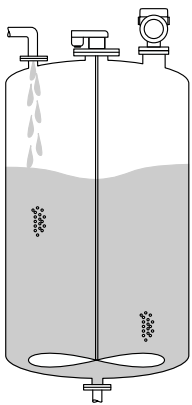
*Integrated antenna, PEEK, 40 mm (1.5 in) in vessel with agitator*

	Media group	Measuring range
	A0 ( $\epsilon_r$ 1.2 to 1.4)	1 m (3.3 ft)
	A ( $\epsilon_r$ 1.4 to 1.9)	1.5 m (5 ft)
	B ( $\epsilon_r$ 1.9 to 4)	3 m (10 ft)
	C ( $\epsilon_r$ 4 to 10)	7 m (23 ft)
	D ( $\epsilon_r$ >10)	11 m (36 ft)

*Encapsulated antenna, PVDF, 40 mm (1.5 in) in vessel with agitator*

	Media group	Measuring range
	A0 ( $\epsilon_r$ 1.2 to 1.4)	2 m (7 ft)
	A ( $\epsilon_r$ 1.4 to 1.9)	4 m (13 ft)
	B ( $\epsilon_r$ 1.9 to 4)	5 m (16.4 ft)
	C ( $\epsilon_r$ 4 to 10)	15 m (49.2 ft)
	D ( $\epsilon_r$ >10)	20 m (65.6 ft)

*PTFE Drip-off antenna, 50 mm (2 in) in vessel with agitator*

	Media group	Measuring range
	A0 ( $\epsilon_r$ 1.2 to 1.4)	2 m (7 ft)
	A ( $\epsilon_r$ 1.4 to 1.9)	4 m (13 ft)
	B ( $\epsilon_r$ 1.9 to 4)	7 m (23 ft)
	C ( $\epsilon_r$ 4 to 10)	15 m (49 ft)
	D ( $\epsilon_r$ >10)	25 m (82 ft)

Operating frequency      Approx. 80 GHz  
 Up to 8 devices can be installed in a tank without the devices mutually influencing one another.

Transmission power      ■ Peak power: <1.5 mW  
 ■ Average output power: <70  $\mu$ W

## 15.2 Output

PROFIBUS PA      According to EN 50170 Volume 2, IEC 61158-2

**Signal coding:**  
 Manchester Bus Powered (MBP) type 1

**Data transmission rate:**  
 31.25 kBit/s, voltage mode

**Galvanic isolation:**  
 Yes

Signal on alarm      Diagnostics in accordance with PROFIBUS PA Profile 3.02

**Local display**

Status signal (in accordance with NAMUR Recommendation NE 107):  
Plain text display

**Operating tool via service interface (CDI)**

Status signal (in accordance with NAMUR Recommendation NE 107):  
Plain text display

**Operating tool via PROFIBUS PA communication**

Status signal (in accordance with NAMUR Recommendation NE 107):  
Plain text display

## Linearization

The linearization function of the device allows the conversion of the measured value into any unit of length, weight, flow or volume.

**Pre-programmed linearization curves**

Linearization tables for calculating the volume in the following vessels are preprogrammed into the device:

- Pyramid bottom
- Conical bottom
- Angled bottom
- Horizontal cylinder
- Sphere

Other linearization tables of up to 32 value pairs can be entered manually.

## Protocol-specific data

**PROFIBUS PA****Manufacturer ID:**

17 (0x11)

**Ident number:**

0x1568 or 0x9700

**Profile version:**

3.02

**GSD file and version**


Information and files available at:

- [www.endress.com](http://www.endress.com)  
On the product page for the device: Documents/Software → Device drivers
- [www.profibus.com](http://www.profibus.com)

*Output values***Analog Input:**

- Level linearized
- Distance
- Volume
- Terminal voltage
- Electronics temperature
- Sensor temperature
- Absolute echo amplitude
- Relative echo amplitude
- Area of incoupling
- Buildup index, optional (Guidance → Heartbeat Technology → Buildup detection → Buildup index)
- Foam index, optional (Diagnostics → Heartbeat Technology → Foam detection → Foam index)

**Digital Input:**

 Is only available if the "Heartbeat Verification + Monitoring" application package was selected.

- 168 Build-up detected, optional (Guidance → Heartbeat Technology → Buildup detection → 168 Build-up detected)
- 952 Foam detected, optional (Guidance → Heartbeat Technology → Foam detection → 952 Foam detected)

*Input values***Analog Output:**

Analog value from PLC to be indicated on the display

*Supported functions*


- Identification & maintenance  
Straightforward device identification on the part of the control system and nameplate
- Automatic Ident Number adoption  
GSD compatibility mode for generic profile 0x9700 "Transmitter with 1 Analog Input"
- Physical layer diagnostics  
Installation check of the PROFIBUS segment and device using terminal voltage and message monitoring
- PROFIBUS upload/download  
Reading and writing parameters is up to ten times faster with PROFIBUS upload/download
- Condensed status  
Straightforward and self-explanatory diagnostic information by categorizing diagnostic messages that occur

## 15.3 Environment

### Ambient temperature range

The following values apply up to a process temperature of +85 °C (+185 °F). At higher process temperatures, the permitted ambient temperature is reduced.

- Without LCD display:  
Standard: -40 to +85 °C (-40 to +185 °F)
- With LCD display: -40 to +85 °C (-40 to +185 °F) with limitations in optical properties such as display speed and contrast for example. Can be used without limitations up to -20 to +60 °C (-4 to +140 °F)


 If operating outdoors in strong sunlight:

- Mount the device in the shade.
- Avoid direct sunlight, particularly in warm climatic regions.
- Use a weather protection cover (see accessories).

### Ambient temperature limits

The permitted ambient temperature ( $T_a$ ) depends on the selected housing material (Product Configurator → Housing; Material →) and the selected process temperature range (Product Configurator → Application →).

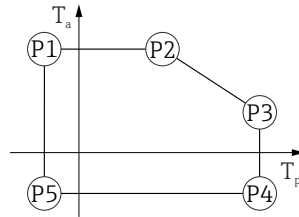
In the event of temperature ( $T_p$ ) at the process connection, the permitted ambient temperature ( $T_a$ ) is reduced.

 The following information only takes functional aspects into consideration. Additional restrictions may apply for certified device versions.



### Plastic housing

Plastic housing; process temperature  $-20$  to  $+150$  °C ( $-4$  to  $+302$  °F)



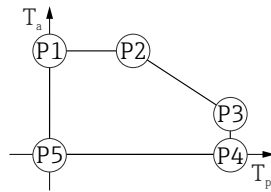
☑ 25 Plastic housing; process temperature  $-20$  to  $+150$  °C ( $-4$  to  $+302$  °F)

P1	=	$T_p$ : $-20$ °C ( $-4$ °F)		$T_a$ : $+76$ °C ( $+169$ °F)
P2	=	$T_p$ : $+76$ °C ( $+169$ °F)		$T_a$ : $+76$ °C ( $+169$ °F)
P3	=	$T_p$ : $+150$ °C ( $+302$ °F)		$T_a$ : $+25$ °C ( $+77$ °F)
P4	=	$T_p$ : $+150$ °C ( $+302$ °F)		$T_a$ : $-20$ °C ( $-4$ °F)
P5	=	$T_p$ : $-20$ °C ( $-4$ °F)		$T_a$ : $-20$ °C ( $-4$ °F)

A0032024

**i** In the case of devices with a plastic housing and CSA C/US approval, the selected process temperature of  $-20$  to  $+150$  °C ( $-4$  to  $+302$  °F) is limited to  $0$  to  $+150$  °C ( $+32$  to  $+302$  °F).

Restriction to a process temperature of  $0$  to  $+150$  °C ( $+32$  to  $+302$  °F) with CSA C/US approval and plastic housing



☑ 26 Plastic housing; process temperature  $0$  to  $+150$  °C ( $+32$  to  $+302$  °F) with CSA C/US approval

P1	=	$T_p$ : $0$ °C ( $+32$ °F)		$T_a$ : $+76$ °C ( $+169$ °F)
P2	=	$T_p$ : $+76$ °C ( $+169$ °F)		$T_a$ : $+76$ °C ( $+169$ °F)
P3	=	$T_p$ : $+150$ °C ( $+302$ °F)		$T_a$ : $+25$ °C ( $+77$ °F)
P4	=	$T_p$ : $+150$ °C ( $+302$ °F)		$T_a$ : $0$ °C ( $+32$ °F)
P5	=	$T_p$ : $0$ °C ( $+32$ °F)		$T_a$ : $0$ °C ( $+32$ °F)

A0048826

Plastic housing; process temperature  $-20$  to  $+200$  °C ( $-4$  to  $+392$  °F)



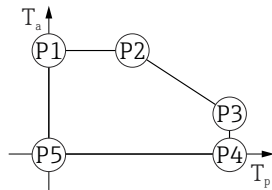
A0032024

27 Plastic housing; process temperature  $-20$  to  $+200$  °C ( $-4$  to  $+392$  °F)

- P1 =  $T_p: -20$  °C ( $-4$  °F) |  $T_a: +76$  °C ( $+169$  °F)
- P2 =  $T_p: +76$  °C ( $+169$  °F) |  $T_a: +76$  °C ( $+169$  °F)
- P3 =  $T_p: +200$  °C ( $+392$  °F) |  $T_a: +27$  °C ( $+81$  °F)
- P4 =  $T_p: +200$  °C ( $+392$  °F) |  $T_a: -20$  °C ( $-4$  °F)
- P5 =  $T_p: -20$  °C ( $-4$  °F) |  $T_a: -20$  °C ( $-4$  °F)

**i** In the case of devices with a plastic housing and CSA C/US approval, the selected process temperature of  $-20$  to  $+200$  °C ( $-4$  to  $+392$  °F) is limited to  $0$  to  $+200$  °C ( $+32$  to  $+392$  °F).

Restriction to a process temperature of  $0$  to  $+200$  °C ( $+32$  to  $+392$  °F) with CSA C/US approval and plastic housing



A0048826

28 Plastic housing; process temperature  $0$  to  $+200$  °C ( $+32$  to  $+392$  °F) with CSA C/US approval

- P1 =  $T_p: 0$  °C ( $+32$  °F) |  $T_a: +76$  °C ( $+169$  °F)
- P2 =  $T_p: +76$  °C ( $+169$  °F) |  $T_a: +76$  °C ( $+169$  °F)
- P3 =  $T_p: +200$  °C ( $+392$  °F) |  $T_a: +27$  °C ( $+81$  °F)
- P4 =  $T_p: +200$  °C ( $+392$  °F) |  $T_a: 0$  °C ( $+32$  °F)
- P5 =  $T_p: 0$  °C ( $+32$  °F) |  $T_a: 0$  °C ( $+32$  °F)

Plastic housing; process temperature  $-40$  to  $+80$  °C ( $-40$  to  $+176$  °F)



A0032024

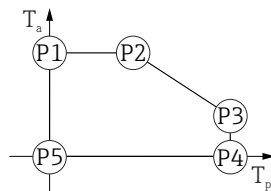
▣ 29 Plastic housing; process temperature  $-40$  to  $+80$  °C ( $-40$  to  $+176$  °F)

P1	=	$T_p$ : $-40$ °C ( $-40$ °F)		$T_a$ : $+76$ °C ( $+169$ °F)
P2	=	$T_p$ : $+76$ °C ( $+169$ °F)		$T_a$ : $+76$ °C ( $+169$ °F)
P3	=	$T_p$ : $+80$ °C ( $+176$ °F)		$T_a$ : $+75$ °C ( $+167$ °F)
P4	=	$T_p$ : $+80$ °C ( $+176$ °F)		$T_a$ : $-40$ °C ( $-40$ °F)
P5	=	$T_p$ : $-40$ °C ( $-40$ °F)		$T_a$ : $-40$ °C ( $-40$ °F)

**i** In the case of devices with a plastic housing and CSA C/US approval, the selected process temperature of

$-40$  to  $+80$  °C ( $-40$  to  $+176$  °F) is limited to  $0$  to  $+80$  °C ( $+32$  to  $+176$  °F).

Restriction to a process temperature of  $0$  to  $+80$  °C ( $+32$  to  $+176$  °F) with CSA C/US approval and plastic housing

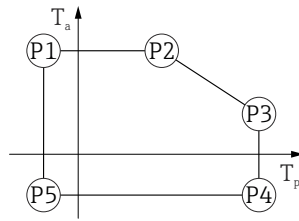


A0048826

▣ 30 Plastic housing; process temperature  $0$  to  $+80$  °C ( $+32$  to  $+176$  °F) with CSA C/US approval

P1	=	$T_p$ : $0$ °C ( $+32$ °F)		$T_a$ : $+76$ °C ( $+169$ °F)
P2	=	$T_p$ : $+76$ °C ( $+169$ °F)		$T_a$ : $+76$ °C ( $+169$ °F)
P3	=	$T_p$ : $+80$ °C ( $+176$ °F)		$T_a$ : $+75$ °C ( $+167$ °F)
P4	=	$T_p$ : $+80$ °C ( $+176$ °F)		$T_a$ : $0$ °C ( $+32$ °F)
P5	=	$T_p$ : $0$ °C ( $+32$ °F)		$T_a$ : $0$ °C ( $+32$ °F)

Plastic housing; process temperature  $-40$  to  $+130$  °C ( $-40$  to  $+266$  °F)



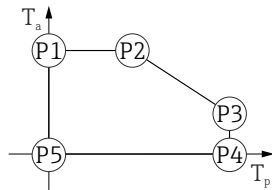
A0032024

31 Plastic housing; process temperature  $-40$  to  $+130$  °C ( $-40$  to  $+266$  °F)

- P1 =  $T_p$ :  $-40$  °C ( $-40$  °F) |  $T_a$ :  $+76$  °C ( $+169$  °F)
- P2 =  $T_p$ :  $+76$  °C ( $+169$  °F) |  $T_a$ :  $+76$  °C ( $+169$  °F)
- P3 =  $T_p$ :  $+130$  °C ( $+266$  °F) |  $T_a$ :  $+41$  °C ( $+106$  °F)
- P4 =  $T_p$ :  $+130$  °C ( $+266$  °F) |  $T_a$ :  $-40$  °C ( $-40$  °F)
- P5 =  $T_p$ :  $-40$  °C ( $-40$  °F) |  $T_a$ :  $-40$  °C ( $-40$  °F)

**i** In the case of devices with a plastic housing and CSA C/US approval, the selected process temperature of  $-40$  to  $+130$  °C ( $-40$  to  $+266$  °F) is limited to  $0$  to  $+130$  °C ( $+32$  to  $+266$  °F).

Restriction to a process temperature of  $0$  to  $+130$  °C ( $+32$  to  $+266$  °F) with CSA C/US approval and plastic housing

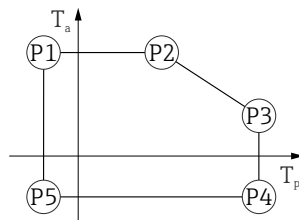


A0048826

32 Plastic housing; process temperature  $0$  to  $+130$  °C ( $+32$  to  $+266$  °F) with CSA C/US approval

- P1 =  $T_p$ :  $0$  °C ( $+32$  °F) |  $T_a$ :  $+76$  °C ( $+169$  °F)
- P2 =  $T_p$ :  $+76$  °C ( $+169$  °F) |  $T_a$ :  $+76$  °C ( $+169$  °F)
- P3 =  $T_p$ :  $+130$  °C ( $+266$  °F) |  $T_a$ :  $+41$  °C ( $+106$  °F)
- P4 =  $T_p$ :  $+130$  °C ( $+266$  °F) |  $T_a$ :  $0$  °C ( $+32$  °F)
- P5 =  $T_p$ :  $0$  °C ( $+32$  °F) |  $T_a$ :  $0$  °C ( $+32$  °F)

Plastic housing; process temperature  $-40$  to  $+150$  °C ( $-40$  to  $+302$  °F)



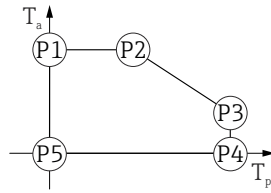
A0032024

33 Plastic housing; process temperature  $-40$  to  $+150$  °C ( $-40$  to  $+302$  °F)

- P1 =  $T_p$ :  $-40$  °C ( $-40$  °F) |  $T_a$ :  $+76$  °C ( $+169$  °F)
- P2 =  $T_p$ :  $+76$  °C ( $+169$  °F) |  $T_a$ :  $+76$  °C ( $+169$  °F)
- P3 =  $T_p$ :  $+150$  °C ( $+302$  °F) |  $T_a$ :  $+25$  °C ( $+77$  °F)
- P4 =  $T_p$ :  $+150$  °C ( $+302$  °F) |  $T_a$ :  $-40$  °C ( $-40$  °F)
- P5 =  $T_p$ :  $-40$  °C ( $-40$  °F) |  $T_a$ :  $-40$  °C ( $-40$  °F)

**i** In the case of devices with a plastic housing and CSA C/US approval, the selected process temperature of  $-40$  to  $+150$  °C ( $-40$  to  $+302$  °F) is limited to  $0$  to  $+150$  °C ( $+32$  to  $+302$  °F).

Restriction to a process temperature of 0 to +150 °C (+32 to +302 °F) with CSA C/US approval and plastic housing

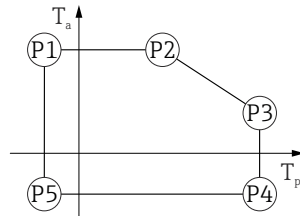


A0048826

34 Plastic housing; process temperature 0 to +150 °C (+32 to +302 °F) with CSA C/US approval

- P1 =  $T_p$ : 0 °C (+32 °F) |  $T_a$ : +76 °C (+169 °F)
- P2 =  $T_p$ : +76 °C (+169 °F) |  $T_a$ : +76 °C (+169 °F)
- P3 =  $T_p$ : +150 °C (+302 °F) |  $T_a$ : +25 °C (+77 °F)
- P4 =  $T_p$ : +150 °C (+302 °F) |  $T_a$ : 0 °C (+32 °F)
- P5 =  $T_p$ : 0 °C (+32 °F) |  $T_a$ : 0 °C (+32 °F)

Plastic housing; process temperature -40 to +200 °C (-40 to +392 °F)



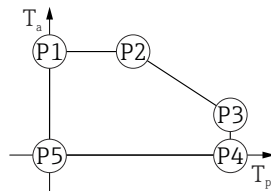
A0032024

35 Plastic housing; process temperature -40 to +200 °C (-40 to +392 °F)

- P1 =  $T_p$ : -40 °C (-40 °F) |  $T_a$ : +76 °C (+169 °F)
- P2 =  $T_p$ : +76 °C (+169 °F) |  $T_a$ : +76 °C (+169 °F)
- P3 =  $T_p$ : +200 °C (+392 °F) |  $T_a$ : +27 °C (+81 °F)
- P4 =  $T_p$ : +200 °C (+392 °F) |  $T_a$ : -40 °C (-40 °F)
- P5 =  $T_p$ : -40 °C (-40 °F) |  $T_a$ : -40 °C (-40 °F)

**i** In the case of devices with a plastic housing and CSA C/US approval, the selected process temperature of -40 to +200 °C (-40 to +392 °F) is limited to 0 to +200 °C (+32 to +392 °F).

Restriction to a process temperature of 0 to +200 °C (+32 to +392 °F) with CSA C/US approval and plastic housing



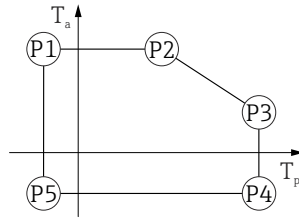
A0048826

36 Plastic housing; process temperature 0 to +200 °C (+32 to +392 °F) with CSA C/US approval

- P1 =  $T_p$ : 0 °C (+32 °F) |  $T_a$ : +76 °C (+169 °F)
- P2 =  $T_p$ : +76 °C (+169 °F) |  $T_a$ : +76 °C (+169 °F)
- P3 =  $T_p$ : +200 °C (+392 °F) |  $T_a$ : +27 °C (+81 °F)
- P4 =  $T_p$ : +200 °C (+392 °F) |  $T_a$ : 0 °C (+32 °F)
- P5 =  $T_p$ : 0 °C (+32 °F) |  $T_a$ : 0 °C (+32 °F)

**Aluminum housing, coated**

Aluminum housing; process temperature  $-20$  to  $+150$  °C ( $-4$  to  $+302$  °F)

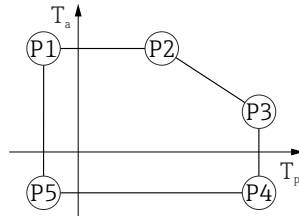


A0032024

▣ 37 Aluminum housing, coated; process temperature  $-20$  to  $+150$  °C ( $-4$  to  $+302$  °F)

- P1 =  $T_p$ :  $-20$  °C ( $-4$  °F) |  $T_a$ :  $+79$  °C ( $+174$  °F)
- P2 =  $T_p$ :  $+79$  °C ( $+174$  °F) |  $T_a$ :  $+79$  °C ( $+174$  °F)
- P3 =  $T_p$ :  $+150$  °C ( $+302$  °F) |  $T_a$ :  $+53$  °C ( $+127$  °F)
- P4 =  $T_p$ :  $+150$  °C ( $+302$  °F) |  $T_a$ :  $-20$  °C ( $-4$  °F)
- P5 =  $T_p$ :  $-20$  °C ( $-4$  °F) |  $T_a$ :  $-20$  °C ( $-4$  °F)

Aluminum housing; process temperature  $-20$  to  $+200$  °C ( $-4$  to  $+392$  °F)

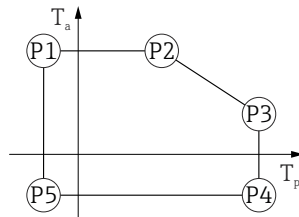


A0032024

▣ 38 Aluminum housing, coated; process temperature  $-20$  to  $+200$  °C ( $-4$  to  $+392$  °F)

- P1 =  $T_p$ :  $-20$  °C ( $-4$  °F) |  $T_a$ :  $+79$  °C ( $+174$  °F)
- P2 =  $T_p$ :  $+79$  °C ( $+174$  °F) |  $T_a$ :  $+79$  °C ( $+174$  °F)
- P3 =  $T_p$ :  $+200$  °C ( $+392$  °F) |  $T_a$ :  $+47$  °C ( $+117$  °F)
- P4 =  $T_p$ :  $+200$  °C ( $+392$  °F) |  $T_a$ :  $-20$  °C ( $-4$  °F)
- P5 =  $T_p$ :  $-20$  °C ( $-4$  °F) |  $T_a$ :  $-20$  °C ( $-4$  °F)

Aluminum housing; process temperature  $-40$  to  $+80$  °C ( $-40$  to  $+176$  °F)

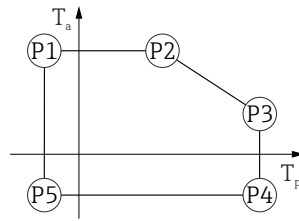


A0032024

▣ 39 Aluminum housing, coated; process temperature  $-40$  to  $+80$  °C ( $-40$  to  $+176$  °F)

- P1 =  $T_p$ :  $-40$  °C ( $-40$  °F) |  $T_a$ :  $+79$  °C ( $+174$  °F)
- P2 =  $T_p$ :  $+79$  °C ( $+174$  °F) |  $T_a$ :  $+79$  °C ( $+174$  °F)
- P3 =  $T_p$ :  $+80$  °C ( $+176$  °F) |  $T_a$ :  $+79$  °C ( $+174$  °F)
- P4 =  $T_p$ :  $+80$  °C ( $+176$  °F) |  $T_a$ :  $-40$  °C ( $-40$  °F)
- P5 =  $T_p$ :  $-40$  °C ( $-40$  °F) |  $T_a$ :  $-40$  °C ( $-40$  °F)

Aluminum housing; process temperature  $-40$  to  $+130$  °C ( $-40$  to  $+266$  °F)

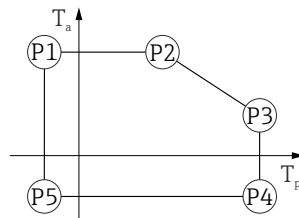


▣ 40 Aluminum housing, coated; process temperature  $-40$  to  $+130$  °C ( $-40$  to  $+266$  °F)

P1	=	$T_p$ :	$-40$ °C ( $-40$ °F)		$T_a$ :	$+79$ °C ( $+174$ °F)
P2	=	$T_p$ :	$+79$ °C ( $+174$ °F)		$T_a$ :	$+79$ °C ( $+174$ °F)
P3	=	$T_p$ :	$+130$ °C ( $+266$ °F)		$T_a$ :	$+55$ °C ( $+131$ °F)
P4	=	$T_p$ :	$+130$ °C ( $+266$ °F)		$T_a$ :	$-40$ °C ( $-40$ °F)
P5	=	$T_p$ :	$-40$ °C ( $-40$ °F)		$T_a$ :	$-40$ °C ( $-40$ °F)

A0032024

Aluminum housing; process temperature  $-40$  to  $+150$  °C ( $-40$  to  $+302$  °F)

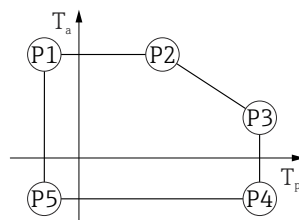


▣ 41 Aluminum housing, coated; process temperature  $-40$  to  $+150$  °C ( $-40$  to  $+302$  °F)

P1	=	$T_p$ :	$-40$ °C ( $-40$ °F)		$T_a$ :	$+79$ °C ( $+174$ °F)
P2	=	$T_p$ :	$+79$ °C ( $+174$ °F)		$T_a$ :	$+79$ °C ( $+174$ °F)
P3	=	$T_p$ :	$+150$ °C ( $+302$ °F)		$T_a$ :	$+53$ °C ( $+127$ °F)
P4	=	$T_p$ :	$+150$ °C ( $+302$ °F)		$T_a$ :	$-40$ °C ( $-40$ °F)
P5	=	$T_p$ :	$-40$ °C ( $-40$ °F)		$T_a$ :	$-40$ °C ( $-40$ °F)

A0032024

Aluminum housing; process temperature  $-40$  to  $+200$  °C ( $-40$  to  $+392$  °F)



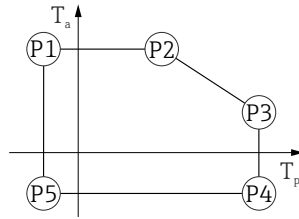
▣ 42 Aluminum housing, coated; process temperature  $-40$  to  $+200$  °C ( $-40$  to  $+392$  °F)

P1	=	$T_p$ :	$-40$ °C ( $-40$ °F)		$T_a$ :	$+79$ °C ( $+174$ °F)
P2	=	$T_p$ :	$+79$ °C ( $+174$ °F)		$T_a$ :	$+79$ °C ( $+174$ °F)
P3	=	$T_p$ :	$+200$ °C ( $+392$ °F)		$T_a$ :	$+47$ °C ( $+117$ °F)
P4	=	$T_p$ :	$+200$ °C ( $+392$ °F)		$T_a$ :	$-40$ °C ( $-40$ °F)
P5	=	$T_p$ :	$-40$ °C ( $-40$ °F)		$T_a$ :	$-40$ °C ( $-40$ °F)

A0032024

### 316L housing

316L housing; process temperature  $-20$  to  $+150$  °C ( $-4$  to  $+302$  °F)

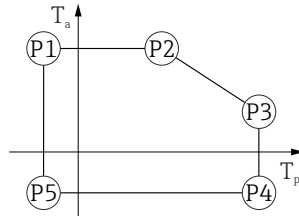


A0032024

▣ 43 316L housing; process temperature  $-20$  to  $+150$  °C ( $-4$  to  $+302$  °F)

- P1 =  $T_p$ :  $-20$  °C ( $-4$  °F) |  $T_a$ :  $+77$  °C ( $+171$  °F)
- P2 =  $T_p$ :  $+77$  °C ( $+171$  °F) |  $T_a$ :  $+77$  °C ( $+171$  °F)
- P3 =  $T_p$ :  $+150$  °C ( $+302$  °F) |  $T_a$ :  $+43$  °C ( $+109$  °F)
- P4 =  $T_p$ :  $+150$  °C ( $+302$  °F) |  $T_a$ :  $-20$  °C ( $-4$  °F)
- P5 =  $T_p$ :  $-20$  °C ( $-4$  °F) |  $T_a$ :  $-20$  °C ( $-4$  °F)

316L housing; process temperature  $-20$  to  $+200$  °C ( $-4$  to  $+392$  °F)

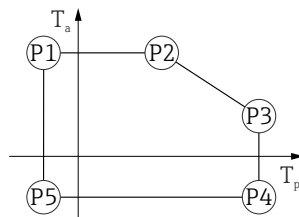


A0032024

▣ 44 316L housing; process temperature  $-20$  to  $+200$  °C ( $-4$  to  $+392$  °F)

- P1 =  $T_p$ :  $-20$  °C ( $-4$  °F) |  $T_a$ :  $+77$  °C ( $+171$  °F)
- P2 =  $T_p$ :  $+77$  °C ( $+171$  °F) |  $T_a$ :  $+77$  °C ( $+171$  °F)
- P3 =  $T_p$ :  $+200$  °C ( $+392$  °F) |  $T_a$ :  $+38$  °C ( $+100$  °F)
- P4 =  $T_p$ :  $+200$  °C ( $+392$  °F) |  $T_a$ :  $-20$  °C ( $-4$  °F)
- P5 =  $T_p$ :  $-20$  °C ( $-4$  °F) |  $T_a$ :  $-20$  °C ( $-4$  °F)

316L housing; process temperature  $-40$  to  $+80$  °C ( $-40$  to  $+176$  °F)



A0032024

▣ 45 316L housing; process temperature  $-40$  to  $+80$  °C ( $-40$  to  $+176$  °F)

- P1 =  $T_p$ :  $-40$  °C ( $-40$  °F) |  $T_a$ :  $+77$  °C ( $+171$  °F)
- P2 =  $T_p$ :  $+77$  °C ( $+171$  °F) |  $T_a$ :  $+77$  °C ( $+171$  °F)
- P3 =  $T_p$ :  $+80$  °C ( $+176$  °F) |  $T_a$ :  $+77$  °C ( $+171$  °F)
- P4 =  $T_p$ :  $+80$  °C ( $+176$  °F) |  $T_a$ :  $-40$  °C ( $-40$  °F)
- P5 =  $T_p$ :  $-40$  °C ( $-40$  °F) |  $T_a$ :  $-40$  °C ( $-40$  °F)



316L housing; process temperature  $-40$  to  $+130$  °C ( $-40$  to  $+266$  °F)

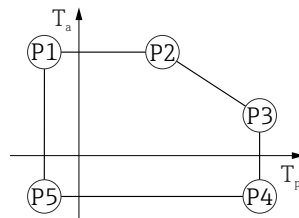


46 316L housing; process temperature  $-40$  to  $+130$  °C ( $-40$  to  $+266$  °F)

P1	=	$T_p$ : $-40$ °C ( $-40$ °F)		$T_a$ : $+77$ °C ( $+171$ °F)
P2	=	$T_p$ : $+77$ °C ( $+171$ °F)		$T_a$ : $+77$ °C ( $+171$ °F)
P3	=	$T_p$ : $+130$ °C ( $+266$ °F)		$T_a$ : $+54$ °C ( $+129$ °F)
P4	=	$T_p$ : $+130$ °C ( $+266$ °F)		$T_a$ : $-40$ °C ( $-40$ °F)
P5	=	$T_p$ : $-40$ °C ( $-40$ °F)		$T_a$ : $-40$ °C ( $-40$ °F)

A0032024

316L housing; process temperature  $-40$  to  $+150$  °C ( $-40$  to  $+302$  °F)

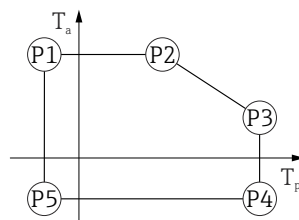


47 316L housing; process temperature range:  $-40$  to  $+150$  °C ( $-40$  to  $+302$  °F)

P1	=	$T_p$ : $-40$ °C ( $-40$ °F)		$T_a$ : $+77$ °C ( $+171$ °F)
P2	=	$T_p$ : $+77$ °C ( $+171$ °F)		$T_a$ : $+77$ °C ( $+171$ °F)
P3	=	$T_p$ : $+150$ °C ( $+302$ °F)		$T_a$ : $+43$ °C ( $+109$ °F)
P4	=	$T_p$ : $+150$ °C ( $+302$ °F)		$T_a$ : $-40$ °C ( $-40$ °F)
P5	=	$T_p$ : $-40$ °C ( $-40$ °F)		$T_a$ : $-40$ °C ( $-40$ °F)

A0032024

316L housing; process temperature  $-40$  to  $+200$  °C ( $-40$  to  $+392$  °F)



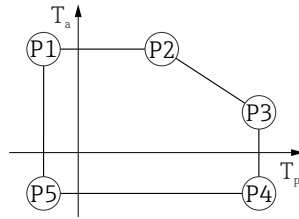
48 316L housing; process temperature  $-40$  to  $+200$  °C ( $-40$  to  $+392$  °F)

P1	=	$T_p$ : $-40$ °C ( $-40$ °F)		$T_a$ : $+77$ °C ( $+171$ °F)
P2	=	$T_p$ : $+77$ °C ( $+171$ °F)		$T_a$ : $+77$ °C ( $+171$ °F)
P3	=	$T_p$ : $+200$ °C ( $+392$ °F)		$T_a$ : $+38$ °C ( $+100$ °F)
P4	=	$T_p$ : $+200$ °C ( $+392$ °F)		$T_a$ : $-40$ °C ( $-40$ °F)
P5	=	$T_p$ : $-40$ °C ( $-40$ °F)		$T_a$ : $-40$ °C ( $-40$ °F)

A0032024

### 316L housing, hygiene

316L housing, hygiene; process temperature  $-20$  to  $+150$  °C ( $-4$  to  $+302$  °F)

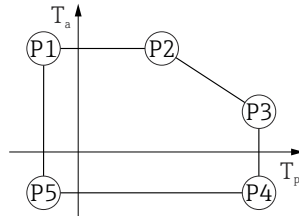


A0032024

▣ 49 316L housing, hygiene; process temperature  $-20$  to  $+150$  °C ( $-4$  to  $+302$  °F)

- P1 =  $T_p$ :  $-20$  °C ( $-4$  °F) |  $T_a$ :  $+76$  °C ( $+169$  °F)
- P2 =  $T_p$ :  $+76$  °C ( $+169$  °F) |  $T_a$ :  $+76$  °C ( $+169$  °F)
- P3 =  $T_p$ :  $+150$  °C ( $+302$  °F) |  $T_a$ :  $+41$  °C ( $+106$  °F)
- P4 =  $T_p$ :  $+150$  °C ( $+302$  °F) |  $T_a$ :  $-20$  °C ( $-4$  °F)
- P5 =  $T_p$ :  $-20$  °C ( $-4$  °F) |  $T_a$ :  $-20$  °C ( $-4$  °F)

316L housing, hygiene; process temperature  $-20$  to  $+200$  °C ( $-4$  to  $+392$  °F)

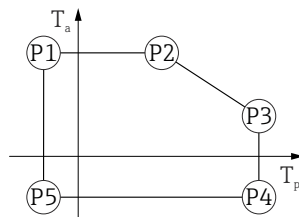


A0032024

▣ 50 316L housing, hygiene; process temperature  $-20$  to  $+200$  °C ( $-4$  to  $+392$  °F)

- P1 =  $T_p$ :  $-20$  °C ( $-4$  °F) |  $T_a$ :  $+76$  °C ( $+169$  °F)
- P2 =  $T_p$ :  $+76$  °C ( $+169$  °F) |  $T_a$ :  $+76$  °C ( $+169$  °F)
- P3 =  $T_p$ :  $+200$  °C ( $+392$  °F) |  $T_a$ :  $+32$  °C ( $+90$  °F)
- P4 =  $T_p$ :  $+200$  °C ( $+392$  °F) |  $T_a$ :  $-20$  °C ( $-4$  °F)
- P5 =  $T_p$ :  $-20$  °C ( $-4$  °F) |  $T_a$ :  $-20$  °C ( $-4$  °F)

316L housing, hygiene; process temperature  $-40$  to  $+80$  °C ( $-40$  to  $+176$  °F)

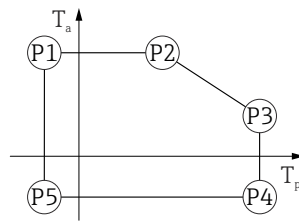


A0032024

▣ 51 316L housing, hygiene; process temperature  $-40$  to  $+80$  °C ( $-40$  to  $+176$  °F)

- P1 =  $T_p$ :  $-40$  °C ( $-40$  °F) |  $T_a$ :  $+76$  °C ( $+169$  °F)
- P2 =  $T_p$ :  $+76$  °C ( $+169$  °F) |  $T_a$ :  $+76$  °C ( $+169$  °F)
- P3 =  $T_p$ :  $+80$  °C ( $+176$  °F) |  $T_a$ :  $+75$  °C ( $+167$  °F)
- P4 =  $T_p$ :  $+80$  °C ( $+176$  °F) |  $T_a$ :  $-40$  °C ( $-40$  °F)
- P5 =  $T_p$ :  $-40$  °C ( $-40$  °F) |  $T_a$ :  $-40$  °C ( $-40$  °F)

316L housing, hygiene; process temperature -40 to +130 °C (-40 to +266 °F)

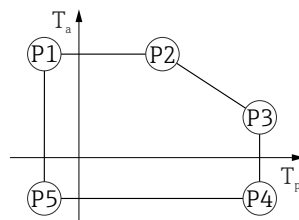


A0032024

52 316L housing, hygiene; process temperature -40 to +130 °C (-40 to +266 °F)

- P1 =  $T_p$ : -40 °C (-40 °F) |  $T_a$ : +76 °C (+169 °F)
- P2 =  $T_p$ : +76 °C (+169 °F) |  $T_a$ : +76 °C (+169 °F)
- P3 =  $T_p$ : +130 °C (+266 °F) |  $T_a$ : +55 °C (+131 °F)
- P4 =  $T_p$ : +130 °C (+266 °F) |  $T_a$ : -40 °C (-40 °F)
- P5 =  $T_p$ : -40 °C (-40 °F) |  $T_a$ : -40 °C (-40 °F)

316L housing, hygiene; process temperature -40 to +150 °C (-40 to +302 °F)

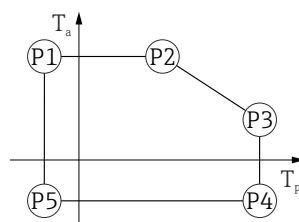


A0032024

53 316L housing, hygiene; process temperature range: -40 to +150 °C (-40 to +302 °F)

- P1 =  $T_p$ : -40 °C (-40 °F) |  $T_a$ : +76 °C (+169 °F)
- P2 =  $T_p$ : +76 °C (+169 °F) |  $T_a$ : +76 °C (+169 °F)
- P3 =  $T_p$ : +150 °C (+302 °F) |  $T_a$ : +41 °C (+106 °F)
- P4 =  $T_p$ : +150 °C (+302 °F) |  $T_a$ : -40 °C (-40 °F)
- P5 =  $T_p$ : -40 °C (-40 °F) |  $T_a$ : -40 °C (-40 °F)

316L housing, hygiene; process temperature -40 to +200 °C (-40 to +392 °F)



A0032024

54 316L housing, hygiene; process temperature -40 to +200 °C (-40 to +392 °F)

- P1 =  $T_p$ : -40 °C (-40 °F) |  $T_a$ : +76 °C (+169 °F)
- P2 =  $T_p$ : +76 °C (+169 °F) |  $T_a$ : +76 °C (+169 °F)
- P3 =  $T_p$ : +200 °C (+392 °F) |  $T_a$ : +32 °C (+90 °F)
- P4 =  $T_p$ : +200 °C (+392 °F) |  $T_a$ : -40 °C (-40 °F)
- P5 =  $T_p$ : -40 °C (-40 °F) |  $T_a$ : -40 °C (-40 °F)

Storage temperature

- Without LCD display: -40 to +90 °C (-40 to +194 °F)
- With LCD display: -40 to +85 °C (-40 to +185 °F)

Climate class

DIN EN 60068-2-38 (test Z/AD)

---

Installation height as per IEC61010-1 Ed.3      Generally up to 5 000 m (16 404 ft) above sea level

---

Degree of protection      Testing in accordance with IEC 60529 and NEMA 250

### Housing

IP66/68, NEMA TYPE 4X/6P

IP68 test condition: 1.83 m Under water for 24 hours.

### Cable entries

- M20 coupling, plastic, IP66/68 NEMA type 4X/6P
- M20 coupling, nickel-plated brass, IP66/68 NEMA type 4X/6P
- M20 coupling, 316L, IP66/68 NEMA type 4X/6P
- M20 coupling, hygiene, IP66/68/69 NEMA type 4X/6P
- M20 thread, IP66/68 NEMA type 4X/6P
- G ½ thread, IP66/68 NEMA TYPE 4X/6P  
If the G ½ thread is selected, the device is provided with an M20 thread as standard and an M20 adapter to G M20 ½ is included, along with the associated documentation
- NPT ½ thread, IP66/68 NEMA TYPE 4X/6P
- M12 plug
  - If the housing is closed and the connecting cable is plugged in: IP66/67 NEMA type 4X
  - If the housing is open or the connecting cable is not plugged in: IP20, NEMA type 1

### NOTICE

#### M12 plug: Loss of IP protection class due to incorrect installation!

- ▶ The degree of protection only applies if the connecting cable used is plugged in and screwed tight.
- ▶ The degree of protection only applies if the connecting cable used is specified according to IP67 NEMA 4X.
- ▶ The protection classes are only fulfilled if the dummy cap is used or the cable is connected.

---

Vibration resistance      DIN EN 60068-2-64 / IEC 60068-2-64 for 5 to 2 000 Hz: 1.25 (m/s<sup>2</sup>)<sup>2</sup>/Hz

---

Electromagnetic compatibility (EMC)     
 

- Electromagnetic compatibility as per EN 61326 series and NAMUR recommendation EMC (NE21)
- Maximum measured error during EMC testing: < 0.5 % of the current digital measured value

For more details refer to the EU Declaration of Conformity.

## 15.4 Process

Process pressure range



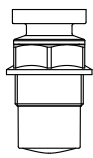
**The maximum pressure for the device depends on the lowest-rated component with regard to pressure (components are: process connection, optional mounted parts or accessories).**

- ▶ Only operate the device within the specified limits for the components!
- ▶ MWP (Maximum Working Pressure): The MWP is specified on the nameplate. This value refers to a reference temperature of +20 °C (+68 °F) and may be applied to the device for an unlimited time. Note temperature dependence of MWP. For flanges, refer to the following standards for the permitted pressure values at higher temperatures: EN 1092-1 (with regard to their stability/temperature property, the materials 1.4435 and 1.4404 are grouped together under EN 1092-1; the chemical composition of the two materials can be identical), ASME B16.5, JIS B2220 (the latest version of the standard applies in each case). MWP data that deviate from this are provided in the relevant sections of the Technical Information.
- ▶ The Pressure Equipment Directive (2014/68/EU) uses the abbreviation **PS**. This corresponds to the maximum working pressure (MWP) of the device.

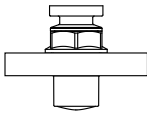
The following tables show the dependencies between the seal material, process temperature ( $T_p$ ) and process pressure range for each process connection that can be selected for the antenna used.


### Encapsulated antenna, PVDF, 40 mm (1.5 in)

*Process connection thread 1-1/2"*

	Seal	$T_p$	Process pressure range
 <p>A0047831</p>	PVDF encapsulated	-40 to +80 °C (-40 to +176 °F)	-1 to 3 bar (-14.5 to 43.5 psi)
	PVDF encapsulated	+80 to +130 °C (+176 to +266 °F)	Atmospheric pressure
	<b>The following temperature restriction applies to devices with the dust ignition-proof approval category 1D, 2D or 3D</b>		
	PVDF encapsulated	-20 to +80 °C (-4 to +176 °F)	-1 to 3 bar (-14.5 to 43.5 psi)

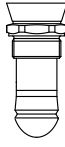
*Process connection UNI flange PP*

	Seal	$T_p$	Process pressure range
 <p>A0047947</p>	PVDF encapsulated	-40 to +80 °C (-40 to +176 °F)	-1 to 3 bar (-14.5 to 43.5 psi)
	<b>The following temperature restriction applies to devices with the dust ignition-proof approval category 1D, 2D or 3D</b>		
	PVDF encapsulated	-20 to +80 °C (-4 to +176 °F)	-1 to 3 bar (-14.5 to 43.5 psi)

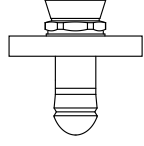
 The pressure range may be further restricted in the event of a CRN approval.

**Drip-off antenna 50 mm (2 in)**

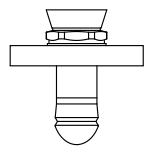
*Process connection thread*


	Seal	T <sub>p</sub>	Process pressure range
 <p>A0047447</p>	FKM Viton GLT	-40 to +130 °C (-40 to +266 °F)	-1 to 16 bar (-14.5 to 232 psi)
	FKM Viton GLT	-40 to +150 °C (-40 to +302 °F)	-1 to 16 bar (-14.5 to 232 psi)
	FKM Viton GLT	-40 to +200 °C (-40 to +392 °F)	-1 to 16 bar (-14.5 to 232 psi)
	EPDM	-40 to +130 °C (-40 to +266 °F)	-1 to 16 bar (-14.5 to 232 psi)
	HNBR	-20 to +150 °C (-4 to +302 °F)	-1 to 16 bar (-14.5 to 232 psi)
	FFKM Kalrez	-20 to +150 °C (-4 to +302 °F)	-1 to 16 bar (-14.5 to 232 psi)
	FFKM Kalrez	-20 to +200 °C (-4 to +392 °F)	-1 to 16 bar (-14.5 to 232 psi)

*Process connection UNI flange PP*

	Seal	T <sub>p</sub>	Process pressure range
 <p>A0047726</p>	FKM Viton GLT	-40 to +80 °C (-40 to +176 °F)	-1 to 3 bar (-14.5 to 43.5 psi)
	EPDM	-40 to +80 °C (-40 to +176 °F)	-1 to 3 bar (-14.5 to 43.5 psi)
	<b>The following temperature restriction applies to devices with the HNBR or FFKM Kalrez O-ring</b>		
	HNBR	-20 to +80 °C (-4 to +176 °F)	-1 to 3 bar (-14.5 to 43.5 psi)
	FFKM Kalrez	-20 to +80 °C (-4 to +176 °F)	-1 to 3 bar (-14.5 to 43.5 psi)

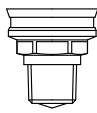
*Process connection UNI flange 316L*


	Seal	T <sub>p</sub>	Process pressure range
 <p>A0047726</p>	FKM Viton GLT	-40 to +130 °C (-40 to +266 °F)	-1 to 3 bar (-14.5 to 43.5 psi)
	FKM Viton GLT	-40 to +150 °C (-40 to +302 °F)	-1 to 3 bar (-14.5 to 43.5 psi)
	FKM Viton GLT	-40 to +200 °C (-40 to +392 °F)	-1 to 3 bar (-14.5 to 43.5 psi)
	EPDM	-40 to +130 °C (-40 to +266 °F)	-1 to 3 bar (-14.5 to 43.5 psi)
	HNBR	-20 to +150 °C (-4 to +302 °F)	-1 to 3 bar (-14.5 to 43.5 psi)
	FFKM Kalrez	-20 to +150 °C (-4 to +302 °F)	-1 to 3 bar (-14.5 to 43.5 psi)
	FFKM Kalrez	-20 to +200 °C (-4 to +392 °F)	-1 to 3 bar (-14.5 to 43.5 psi)

 The pressure range may be further restricted in the event of a CRN approval.

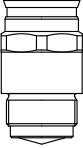
**Integrated antenna, PEEK, 20 mm (0.75 in)**

*Process connection thread 3/4"*

	Seal	T <sub>p</sub>	Process pressure range
 <p>A0047832</p>	FKM Viton GLT	-40 to +150 °C (-40 to +302 °F)	-1 to 20 bar (-14.5 to 290 psi)
	FKM Viton GLT	-40 to +200 °C (-40 to +392 °F)	-1 to 20 bar (-14.5 to 290 psi)
	FFKM Kalrez	-20 to +150 °C (-4 to +302 °F)	-1 to 20 bar (-14.5 to 290 psi)
	FFKM Kalrez	-20 to +200 °C (-4 to +392 °F)	-1 to 20 bar (-14.5 to 290 psi)

 The pressure range may be further restricted in the event of a CRN approval.

**Integrated antenna, PEEK, 40 mm (1.5 in)***Process connection thread 1-1/2"*

	Seal	T <sub>p</sub>	Process pressure range
 A0047833	FKM Viton GLT	-40 to +150 °C (-40 to +302 °F)	-1 to 20 bar (-14.5 to 290 psi)
	FKM Viton GLT	-40 to +200 °C (-40 to +392 °F)	-1 to 20 bar (-14.5 to 290 psi)
	FFKM Kalrez	-20 to +150 °C (-4 to +302 °F)	-1 to 20 bar (-14.5 to 290 psi)
	FFKM Kalrez	-20 to +200 °C (-4 to +392 °F)	-1 to 20 bar (-14.5 to 290 psi)



The pressure range may be further restricted in the event of a CRN approval.

Dielectric constant

**For liquids**

$$\epsilon_r \geq 1.2$$

Contact Endress+Hauser for applications with lower dielectric constants than indicated.

# Index

## A

Access authorization to parameters	
Read access . . . . .	29
Write access . . . . .	29
Access code . . . . .	29
Incorrect input . . . . .	29
Application . . . . .	8

## B

Bluetooth® wireless technology . . . . .	30
Bus address . . . . .	29

## C

CE mark . . . . .	9
Climate class . . . . .	83

## D

Declaration of Conformity . . . . .	9
Device locking, status . . . . .	43
Device master file . . . . .	34
DeviceCare . . . . .	31
Diagnostic event . . . . .	47
DIP switches . . . . .	28
Display values	
For locking status . . . . .	43
Disposal . . . . .	56
Document	
Purpose . . . . .	5

## E

EMPTY_MODULE . . . . .	37
Event history . . . . .	50
Event list . . . . .	50
Event text . . . . .	47

## F

Field of application	
Residual risks . . . . .	8
FieldCare . . . . .	32
Function . . . . .	32
Filtering the event logbook . . . . .	51

## G

GSD . . . . .	34
---------------	----

## H

Hardware addressing . . . . .	28
-------------------------------	----

## I

Intended use . . . . .	8
------------------------	---

## M

Media . . . . .	8
-----------------	---

## O

Operating keys . . . . .	28
Operation . . . . .	43

Operational safety . . . . .	9
Output values . . . . .	33, 71

## P

Product safety . . . . .	9
Purpose of this document . . . . .	5

## R

Read access . . . . .	29
Reading off measured values . . . . .	43
Registered trademarks . . . . .	6
Repair concept . . . . .	55
Requirements for personnel . . . . .	8
Return . . . . .	56

## S

Safety instructions	
Basic . . . . .	8
Securing screw . . . . .	21
Service interface (CDI) . . . . .	40
Settings	
Adapting the measuring device to the process	
conditions . . . . .	43
Software addressing . . . . .	29
Spare parts . . . . .	55
Status signal . . . . .	46
Submenu	
Event list . . . . .	50

## T

Troubleshooting . . . . .	44
Turning the display module . . . . .	17

## U

Use of measuring instrument	
see Intended use	
Use of the measuring devices	
Borderline cases . . . . .	8
Incorrect use . . . . .	8

## W

Workplace safety . . . . .	9
Write access . . . . .	29











71686121

[www.addresses.endress.com](http://www.addresses.endress.com)

---