

Technical Information

Deltabar PMD78B

Differential pressure, level and flow measurement
in liquids or gases



Digital differential pressure transmitter with
metallic process membrane

Applications

- Pressure measuring ranges: up to 40 bar (600 psi)
- Process temperatures: up to 400 °C (752 °F) with diaphragm seal
- Static pressure: up to 160 bar (2 400 psi)
- Accuracy: up to $\pm 0.075\%$

Advantages

The new Deltabar generation introduces a robust pressure transmitter that combines numerous benefits: Easiest local or remote operation, allows condition-based maintenance and offers smart safety in processes. The firmware is designed to ensure extremely easy handling. Intuitive and clear wizard navigation guides the user through the commissioning and verification of the device. The Bluetooth connectivity provides safe and remote operation. The large display with backlight guarantees excellent readability. The Heartbeat Technology software package offers an on-demand verification and monitoring function to detect undesired anomalies. These undesired anomalies include dynamic pressure shocks or changes in the supply voltage, for example. Capillary tubes attenuate the pressure shocks.



Table of contents

About this document	4	Climate class	30
Symbols	4	Atmosphere	30
List of abbreviations	5	Degree of protection	30
Turn down calculation	5	Electromagnetic compatibility (EMC)	31
Function and system design	6	Process	32
Measuring principle	6	Process temperature range	32
Measuring system	7	Process temperature range (temperature at transmitter)	33
Communication and data processing	8	Diaphragm seal capillary armor	34
Dependability for devices with HART, Bluetooth, PROFINET with Ethernet-APL	8	Process pressure range	35
Input	10	Thermal insulation	35
Measured variable	10	Ultrapure gas applications	37
Measuring range	10	Hydrogen applications	37
Output	11	Mechanical construction	38
Output signal	11	Design, dimensions	38
Signal on alarm	11	Dimensions	39
Load	11	Process connections for devices with temperature isolators	41
Damping	11	Process connections for devices with 2 capillaries	45
Ex connection data	11	Process connections	49
Linearization	11	Weight	58
Protocol-specific data	12	Materials in contact with process	59
Wireless HART data	13	Materials not in contact with process	60
Power supply	14	Accessories	62
Terminal assignment	14	Display and user interface	63
Available device plugs	14	Operating concept	63
Supply voltage	15	Local operation	63
Electrical connection	16	Local display	64
Potential equalization	16	Remote operation	65
Terminals	16	System integration	67
Cable entries	16	Supported operating tools	67
Cable specification	16	HistoROM	67
Overvoltage protection	17	Certificates and approvals	68
Performance characteristics	18	CE mark	68
Response time	18	RCM-Tick marking	68
Reference operating conditions	18	Ex approvals	68
Total performance	18	Corrosion test	68
Resolution	21	EAC conformity	68
Total error	21	Overfill protection (in preparation)	68
Long-term stability	22	Functional safety SIL/ IEC 61508 Declaration of Conformity (optional)	68
Response time T63 and T90	23	Marine approval	69
Warm-up time (according to IEC62828-4)	23	Radio approval	69
Mounting	24	CRN approval	69
Orientation	24	Test reports	69
Installation instructions for devices with diaphragm seals	25	Pressure Equipment Directive 2014/68/EU (PED)	69
Sensor selection and arrangement	26	Oxygen application	70
Special mounting instructions	27	China RoHS symbol	70
Environment	30	RoHS	70
Ambient temperature range	30	Certification PROFINET with Ethernet-APL	70
Storage temperature	30	Additional certification	70
Operating altitude	30	Ordering information	71
		Ordering information	71
		Scope of delivery	71

Service	71
Measuring point (tag)	71
Test reports, declarations and inspection certificates	72
Application packages	73
Heartbeat Technology	73
Accessories	74
Device-specific accessories	74
Device Viewer	74
Documentation	75
Standard documentation	75
Supplementary device-dependent documentation	75
Field of Activities	75
Special Documentation	75
Registered trademarks	75

About this document

Symbols

Safety symbols



This symbol alerts you to a dangerous situation. Failure to avoid this situation will result in serious or fatal injury.



This symbol alerts you to a dangerous situation. Failure to avoid this situation can result in serious or fatal injury.



This symbol alerts you to a dangerous situation. Failure to avoid this situation can result in minor or medium injury.



This symbol contains information on procedures and other facts which do not result in personal injury.

Electrical symbols


Ground connection: \perp

Terminal for connection to the grounding system.

Symbols for certain types of information


Permitted: 


Procedures, processes or actions that are permitted.

Forbidden: 


Procedures, processes or actions that are forbidden.

Additional information: 

Reference to documentation: 

Reference to page: 

Series of steps: **1.**, **2.**, **3.**

Result of an individual step: 



Symbols in graphics

Item numbers: 1, 2, 3 ...

Series of steps: **1.**, **2.**, **3.**

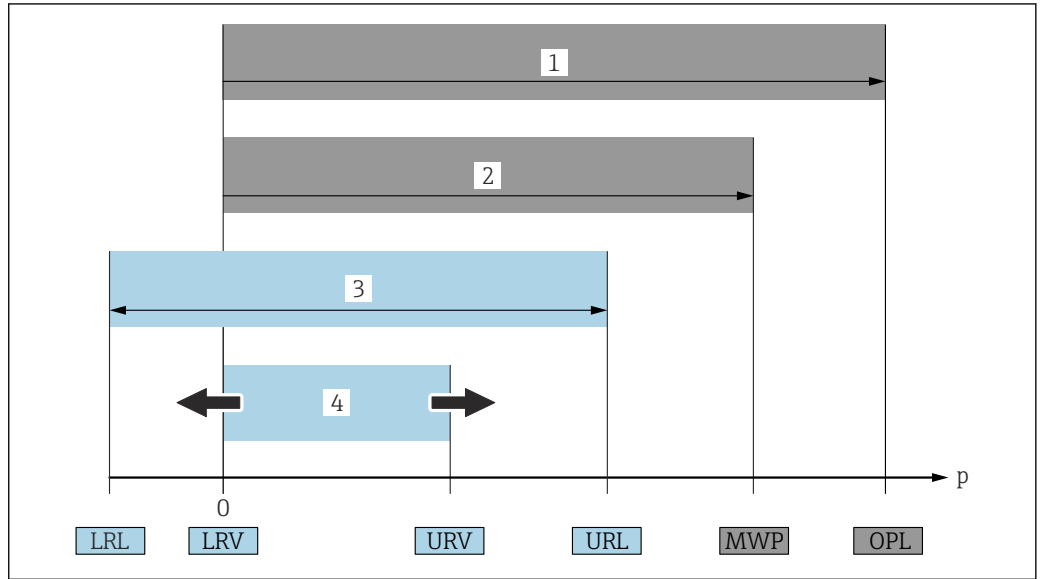
Views: A, B, C, ...

Symbols on the device

Safety instructions:  → 

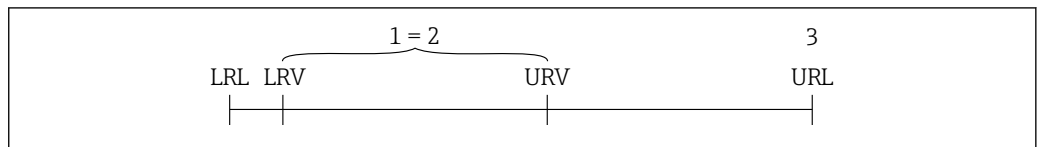
Observe the safety instructions contained in the associated Operating Instructions.

List of abbreviations



- 1 OPL: The OPL (overpressure limit = measuring cell overload limit) for the device depends on the lowest-rated element, with regard to pressure, of the selected components, i.e. the process connection has to be taken into consideration in addition to the measuring cell. Pay attention to the pressure/temperature dependency.
 - 2 The MWP (maximum working pressure) for the measuring cells depends on the lowest-rated element, with regard to pressure, of the selected components, i.e. the process connection has to be taken into consideration in addition to the measuring cell. Pay attention to the pressure/temperature dependency. The MWP may be applied at the device for an unlimited period of time. The MWP can be found on the nameplate.
 - 3 The maximum measuring range corresponds to the span between the LRL and URL. This measuring range is equivalent to the maximum calibratable/adjustable span.
 - 4 The calibrated/adjusted span corresponds to the span between the LRV and URV. Factory setting: 0 to URL. Other calibrated spans can be ordered as customized spans.
- p Pressure
 LRL Lower range limit
 URL Upper range limit
 LRV Lower range value
 URV Upper range value
 TD Turn down. Example - see the following section.

Turn down calculation



- 1 Calibrated/adjusted span
- 2 Zero point-based span
- 3 Upper range limit

Example:

- Measuring cell: 16 bar (240 psi)
- Upper range limit (URL) = 16 bar (240 psi)
- Calibrated/adjusted span: 0 to 8 bar (0 to 120 psi)
- Lower range value (LRV) = 0 bar (0 psi)
- Upper range value (URV) = 8 bar (120 psi)

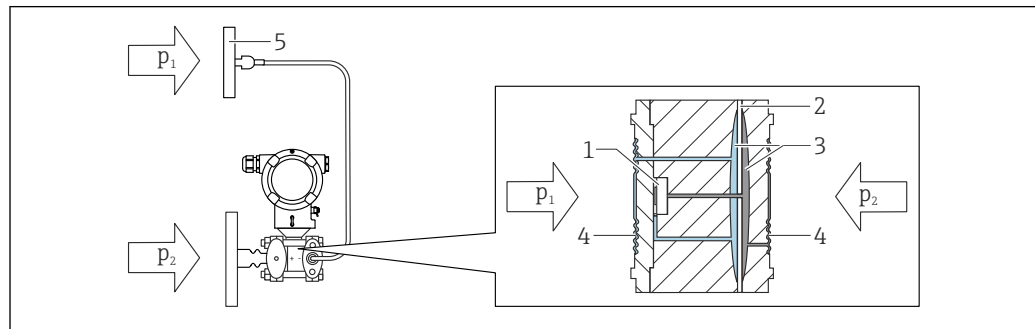
$$TD = \frac{URL}{|URV - LRV|}$$

In this example, the TD is therefore 2:1. This measuring span is based on the zero point.

Function and system design

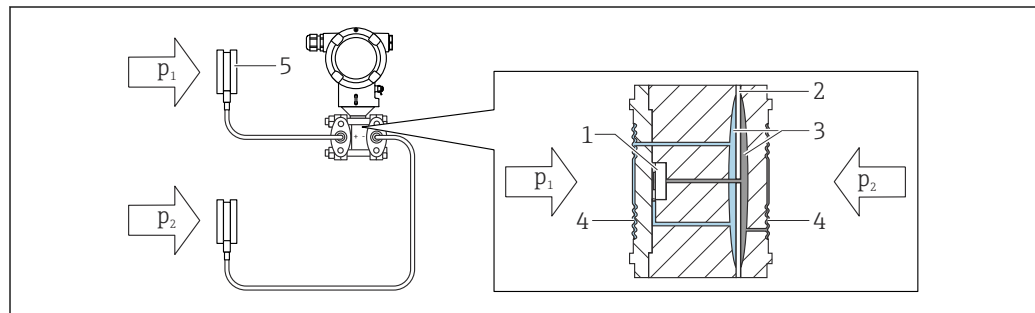
Measuring principle

Measuring cell for differential pressure with metallic membrane



1 Capillary on the second side (P_1) is optional

- 1 Measuring element
- 2 Middle diaphragm
- 3 Fill fluid
- 4 Internal membrane
- 5 Membrane of the diaphragm seal
- p_1 Pressure 1
- p_2 Pressure 2



- 1 Measuring element
- 2 Middle diaphragm
- 3 Fill fluid
- 4 Internal membrane
- 5 Membrane of the diaphragm seal
- p_1 Pressure 1
- p_2 Pressure 2

The pressures applied are transferred from the membrane of the diaphragm seal to the internal membrane of the measuring cell by means of an incompressible fill fluid. This causes a deflection of the membranes on both sides. A second fill fluid transfers the pressure to a side of the measuring element where a resistance bridge is located (semiconductor technology). The change in the bridge output voltage, which depends on the differential pressure, is measured and processed further.

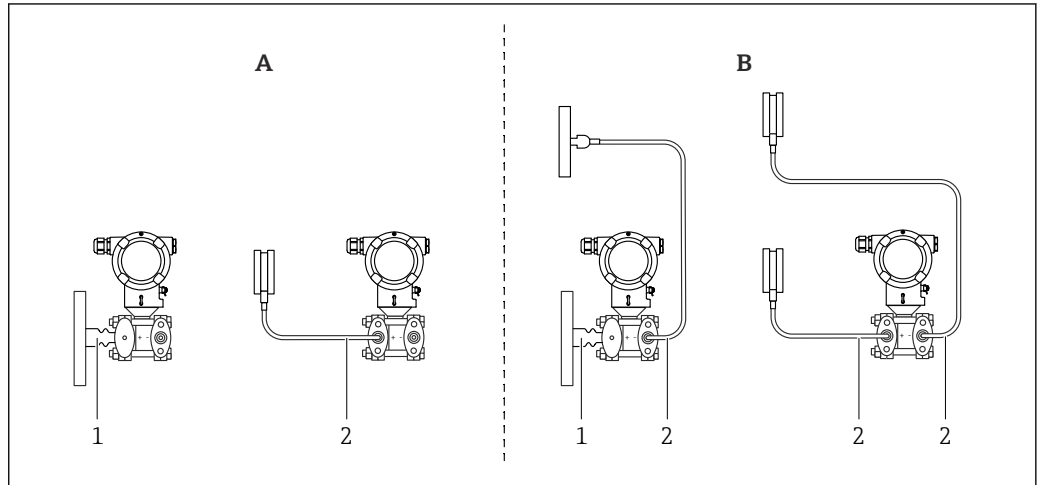
Applications for diaphragm seals

Diaphragm seal systems are used if the process and the device need to be separated. Diaphragm seal systems offer clear advantages in the following instances:

- In the case of extreme process temperatures - through the use of temperature isolators or capillaries
- In the case of strong vibrations - decouple the process from the device by using a capillary
- In the case of aggressive or corrosive media - through the use of high-durability membrane materials
- In the case of media that crystallize or contain solids - through the choice of suitable coatings
- In the case of heterogeneous and fibrous process media
- If extreme measuring point cleaning is necessary, or in the event of very damp mounting locations
- For mounting locations that are difficult to access

Measuring system

Device versions

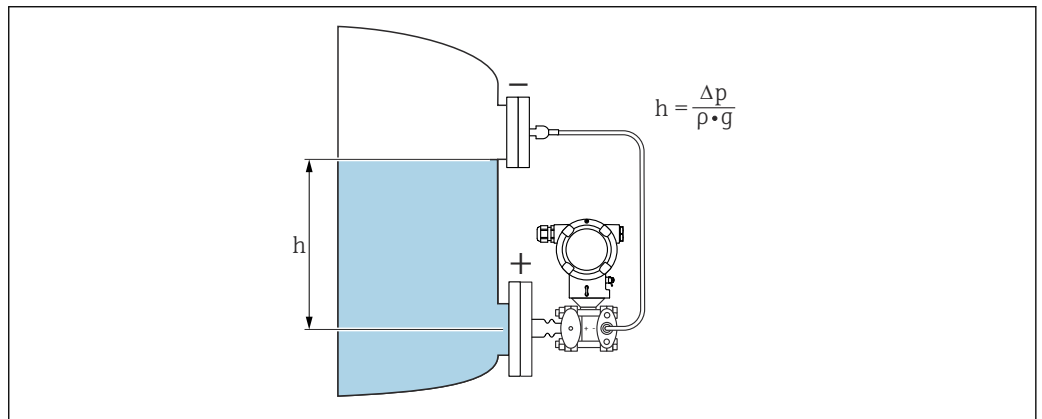


A0043595

- A Diaphragm seal, one side
- 1 With temperature isolator on HP side
- 2 With capillary on HP side
- B Diaphragm seal, both sides
- 1 With temperature isolator on HP side and with capillary on LP side
- 2 With capillary on HP side and with capillary on LP side

Level measurement (volume and mass):

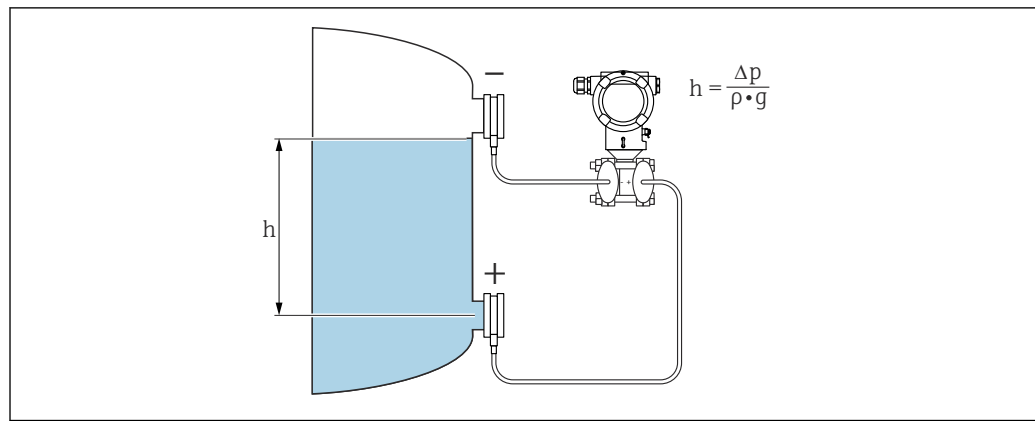
Diaphragm seal with temperature isolator on both sides



A0038339

- h Height (level)
- Δp Differential pressure
- ρ Density of the medium
- g Gravitational acceleration

Diaphragm seal on both sides with capillary



A0038345

- h Height (level)
- Δp Differential pressure
- ρ Density of the medium
- g Gravitational acceleration

Advantages:

- Volume and mass measurements in any vessel shape with a freely programmable characteristic curve
- Has a wide range of uses, e.g.:
 - For level measurement in vessels with pressure overlay
 - For foam formation
 - In vessels with agitators or screen fittings
 - For liquid gases
 - For standard level measurement

Communication and data processing

- 4 to 20 mA with HART communication protocol
- Bluetooth (optional)
- PROFINET with Ethernet-APL: 10BASE-T1L communication protocol

Dependability for devices with HART, Bluetooth, PROFINET with Ethernet-APL

IT security

Endress+Hauser can only provide a warranty if the device is installed and used as described in the Operating Instructions. The device is equipped with security mechanisms to protect it against any inadvertent changes to the device settings. IT security measures in line with operators' security standards and designed to provide additional protection for the device and device data transfer must be implemented by the operators themselves.

Device-specific IT security

The device offers specific functions to support protective measures by the operator. These functions can be configured by the user and guarantee greater in-operation safety if used correctly. An overview of the most important functions is provided in the following section:

- Write protection via hardware write protection switch
- Access code to change user role (applies to operation via the display, Bluetooth or FieldCare, DeviceCare and asset management tools (e.g. AMS, PDM and Web server))

Function/interface	Factory setting	Recommendation
Access code (also applies to Web server login or FieldCare connection)	Not enabled (0000)	Assign a customized access code during commissioning.
Web server	Enabled	On an individual basis following risk assessment.
Service interface (CDI)	Enabled	On an individual basis following risk assessment.
Write protection via hardware write protection switch	Not enabled	On an individual basis following risk assessment.

Protecting access via a password

Different passwords are available to protect write access to the parameters of the device.

Protect write access to the parameters of the device via the local display, Web browser or operating tool (e.g. FieldCare, DeviceCare). Access authorization is clearly regulated through the use of a user-specific access code.

User-specific access code

Write access to the parameters of the device via the local display, Web browser or operating tool (e.g. FieldCare, DeviceCare) can be protected using the editable, user-specific access code.

General notes on the use of passwords

- During commissioning, change the access code used when the device was delivered
- When defining and managing the access code, comply with the general rules for the generation of a secure password
- The user is responsible for managing the access code and for using the code with due care

Access via Web server

Thanks to the integrated Web server, the device can be operated and configured using a Web browser and via PROFINET with Ethernet-APL. In addition to the measured values, status information on the device is displayed and can be used to monitor device health. Furthermore the device data can be managed and the network parameters can be configured.

Access to the network is required for the PROFINET with Ethernet-APL connection.

Supported functions

Data exchange between the operating unit (such as a notebook, for example,) and measuring device:

- Export parameter settings (PDF file, create documentation of the measuring point configuration)
- Export the Heartbeat Technology verification report (PDF file, only available with the "Heartbeat Verification" application package)
- Download driver (GSDML) for system integration

The Web server is enabled when the device is delivered. The Web server can be disabled via the **Web server functionality** parameter if necessary (e.g. after commissioning).

The device and status information can be hidden on the login page. This prevents unauthorized access to the information.



Detailed information on the device parameters:
"Description of Device Parameters" document

Input

Measured variable	Measured process variables
	Differential pressure

Measuring range Depending on the device configuration, the maximum working pressure (MWP) and the overpressure limit (OPL) can deviate from the values in the tables.

PN 160 / 16 MPa / 2400 psi

Measuring cell	Maximum measuring range		Smallest calibratable span (preset at factory) ^{1) 2)}
	lower (LRL)	upper (URL)	
[mbar (psi)]	[mbar (psi)]	[mbar (psi)]	[mbar (psi)]
100 (1.5)	-100 (-1.5)	+100 (+1.5)	5 (0.075)
500 (7.5)	-500 (-7.5)	+500 (+7.5)	5 (0.075)
3000 (45)	-3000 (-45)	+3000 (+45)	30 (0.45)
16000 (240)	-16000 (-240)	+16000 (+240)	160 (2.4)
40000 (600)	-40000 (-600)	+40000 (+600)	400 (6)

- 1) Turn down > 100:1 on request or can be configured at the device
- 2) The maximum TD is 5:1 in the case of platinum.

PN 160 / 16 MPa / 2400 psi

Measuring cell	MWP ¹⁾	OPL		Burst pressure ^{2) 3)}
		[bar (psi)]	on both sides	
[mbar (psi)]	[bar (psi)]	[bar (psi)]	[bar (psi)]	[bar (psi)]
100 (1.5)	160 (2400)	160 (2400)	240 (3600)	690 (10005)
500 (7.5)	160 (2400)	160 (2400)	240 (3600)	690 (10005)
3000 (45)	160 (2400)	160 (2400)	240 (3600)	690 (10005)
16000 (240)	160 (2400)	160 (2400)	240 (3600)	690 (10005)
40000 (600)	160 (2400) ⁴⁾	"+" side: 160 (2400) "-" side: 100 (1500)	240 (3600)	690 (10005)

- 1) MWP depends on the selected process connection.
- 2) Applies to process seal materials FKM, PTFE, FFKM, EPDM and for pressure applied on both sides.
- 3) If the option for side vent valves (sv) and PTFE seal is selected, the burst pressure is 600 bar (8 700 psi)
- 4) If pressure is applied on the negative side only, the MWP is 100 bar (1 500 psi).

Minimum static pressure

- Minimum static pressure: 50 mbar (0.75 psi)_{abs}
Observe the pressure and temperature application limits of the selected fill fluid
- Observe the pressure and temperature application limits of the selected fill fluid
- Vacuum applications: pay attention to the installation instructions

Output

Output signal

Current output

4 to 20 mA with superimposed digital communication protocol HART, 2-wire

The current output offers a choice of three different operating modes:

- 4.0 to 20.5 mA
- NAMUR NE 43: 3.8 to 20.5 mA (factory setting)
- US mode: 3.9 to 20.8 mA

PROFINET with Ethernet-APL

10BASE-T1L, 2-wire 10 Mbit

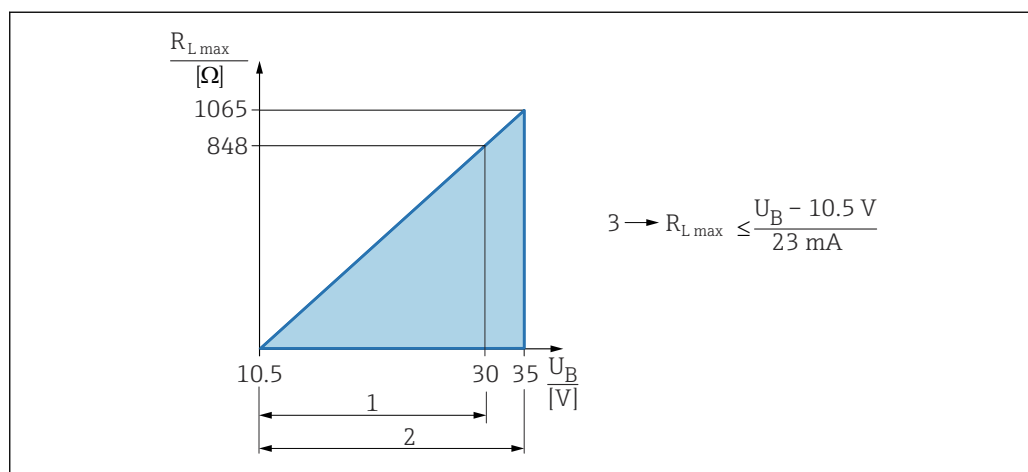
Signal on alarm

Signal on alarm in accordance with NAMUR recommendation NE 43.

- 4 to 20 mA HART:
 - Options:
 - Max alarm: can be set from 21.5 to 23 mA
 - Min. alarm: < 3.6 mA (factory setting)
- PROFINET with Ethernet-APL:
 - According to "Application layer protocol for decentralized periphery", Version 2.4
 - Diagnostics according to PROFINET PA Profile 4.02

Load

4 to 20 mA HART



- 1 Power supply 10.5 to 30 VDC Ex i
 - 2 Power supply 10.5 to 35 VDC, for other types of protection and non-certified device versions
 - 3 R_{Lmax} maximum load resistance
- U_B Supply voltage



Operation via handheld terminal or PC with operating program: take minimum communication resistance of 250 Ω into consideration.

Damping

A damping affects all outputs (output signal, display). Damping can be enabled as follows:

- Via the onsite display, Bluetooth, handheld terminal or PC with operating program, continuous from 0 to 999 seconds
- Factory setting: 1 s

Ex connection data

See the separate technical documentation (Safety Instructions (XA)) on www.endress.com/download.

Linearization

The device's linearization function allows the user to convert the measured value to any units of height or volume. User-defined linearization tables of up to 32 value pairs can be entered if necessary.

Protocol-specific data

HART

- Manufacturer ID: 17 (0x11{hex})
- Device type ID: 0x1131
- Device revision: 1
- HART specification: 7
- DD revision: 1
- Device description files (DTM, DD) information and files at:
 - www.endress.com
 - www.fieldcommgroup.org
- HART load: min. 250 Ohm

HART device variables (preset at the factory)

The following measured values are assigned to the device variables at the factory:

Device variable	Measured value
Primary variable (PV) ¹⁾	Pressure ²⁾
Secondary variable (SV)	Sensor temperature
Tertiary variable (TV)	Electronics temperature
Quaternary variable (QV)	Sensor pressure ³⁾

- 1) The PV is always applied to the current output.
- 2) The pressure is the calculated signal after damping and position adjustment.
- 3) The Sensor pressure is the raw signal of the measuring cell before damping and position adjustment.

Choice of HART device variables


- **Pressure** option (after position adjustment and damping)
 - Scaled variable
 - Sensor temperature
 - Sensor pressure
 - Sensor Pressure is the raw signal from sensor before damping and position adjustment.
 - Electronics temperature
 - Terminal current
 - The terminal current is the read-back current on terminal block.
 - Terminal voltage 1
 - Visibility depends on order options or device settings
 - **Noise of pressure signal** option and **Median of pressure signal** option
 - Visible if Heartbeat Technology ordered
 - Percent of range
 - Loop current
 - The loop current is the output current set by the applied pressure.

Supported functions

- Burst mode
- Additional transmitter status
- Device locking

PROFINET with Ethernet-APL

Protocol	Application layer protocol for decentral device periphery and distributed automation, Version 2.4
Communication type	Ethernet Advanced Physical Layer 10BASE-T1L
Conformance Class	Conformance Class B
Netload Class	Netload Class II
Baud rates	Automatic 10 Mbit/s with full-duplex detection
Cycle times	From 32 ms
Polarity	Auto-polarity for automatic correction of crossed TxD and RxD pairs

Media Redundancy Protocol (MRP)	Yes
System redundancy support	System redundancy S2 (2 AR with 1 NAP)
Device profile	Application interface identifier 0xB310 Generic device
Manufacturer ID	0x11
Device type ID	A231
Device description files (GSD, FDI, DTM, DD)	Information and files available at: <ul style="list-style-type: none"> ▪ www.endress.com On the product page for the device: Documents/Software → Device drivers ▪ www.profibus.org
Supported connections	<ul style="list-style-type: none"> ▪ 2 x AR (IO Controller AR) ▪ 1 x AR (IO-Supervisor Device AR connection allowed) ▪ 1 x Input CR (Communication Relation) ▪ 1 x Output CR (Communication Relation) ▪ 1 x Alarm CR (Communication Relation)
Configuration options for device	<ul style="list-style-type: none"> ▪ Manufacturer-specific software (FieldCare, DeviceCare) ▪ Web browser ▪ Device master file (GSD), can be read out via the integrated Web server of the device ▪ DIP switch for setting the service IP address
Configuration of the device name	<ul style="list-style-type: none"> ▪ DCP protocol ▪ Process Device Manager (PDM) ▪ Integrated Web server
Supported functions	<ul style="list-style-type: none"> ▪ Identification & maintenance Simple device identification via: <ul style="list-style-type: none"> ▪ Control system ▪ Nameplate ▪ Measured value status The process variables are communicated with a measured value status ▪ Blinking feature via the local display for simple device identification and assignment ▪ Device operation via operating tools (e.g., FieldCare, DeviceCare, SIMATIC PDM)
System integration	For information on system integration, see  Operating Instructions <ul style="list-style-type: none"> ▪ Cyclic data transmission ▪ Overview and description of the modules ▪ Status coding ▪ Startup configuration ▪ Factory setting

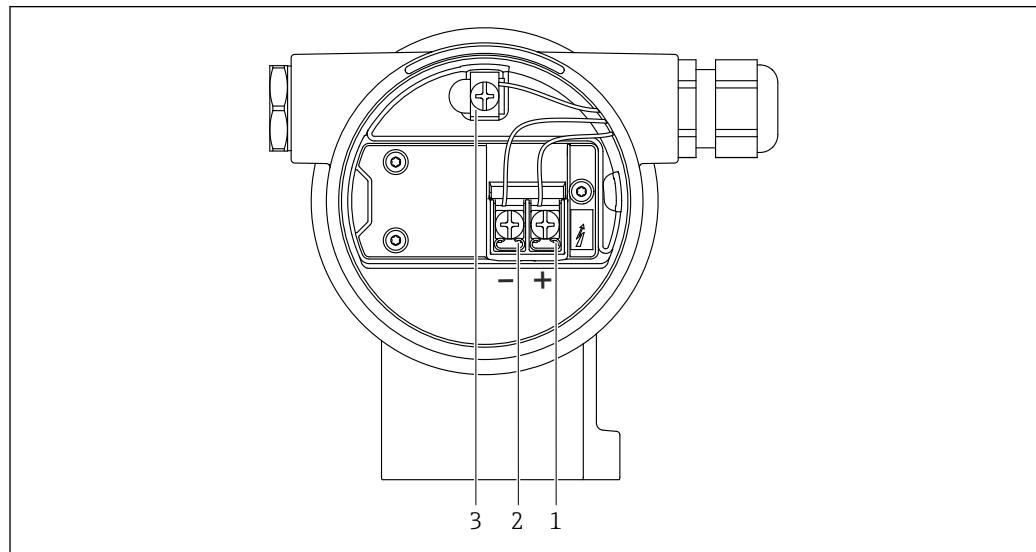
Wireless HART data

- Minimum starting voltage: 10.5 V
- Start-up current: 3.6 mA
- Start-up time: <5 s
- Minimum operating voltage: 10.5 V
- Multidrop current: 4 mA


Power supply

Terminal assignment

Dual compartment housing



A0042803

 2 Connection terminals and ground terminal in the connection compartment

- 1 Positive terminal
- 2 Negative terminal
- 3 Internal ground terminal

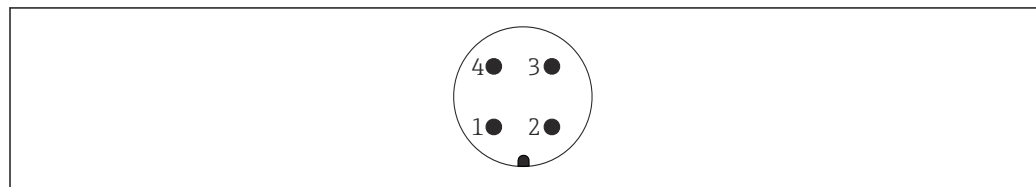
Available device plugs




In the case of devices with a plug, it is not necessary to open the housing for connection purposes.

Use the enclosed seals to prevent the penetration of moisture into the device.

Devices with M12 plug



A0011175

 3 View of the plug-in connection on the device

Pin	HART
1	Signal +
2	Not assigned
3	Signal -
4	Ground

Pin	PROFINET with Ethernet-APL
1	APL signal -
2	APL signal +
3	Shielding
4	Not assigned

Endress+Hauser offers the following accessories for devices with an M12 plug:

Plug-in jack M 12x1, straight

■ Material:

Body: PBT; union nut: nickel-plated die-cast zinc; seal: NBR

■ Degree of protection (fully locked): IP67

■ Order number: 52006263

Plug-in jack M 12x1, elbowed (not for PROFINET with Ethernet-APL)

■ Material:

Body: PBT; union nut: nickel-plated die-cast zinc; seal: NBR

■ Degree of protection (fully locked): IP67

■ Order number: 71114212

Cable 4x0.34 mm² (20 AWG) with M12 plug-in jack, elbowed, screw plug, length 5 m (16 ft)

■ Material: body: TPU; union nut: nickel-plated die-cast zinc; cable: PVC

■ Degree of protection (fully locked): IP67/68

■ Order number: 52010285

■ Cable colors

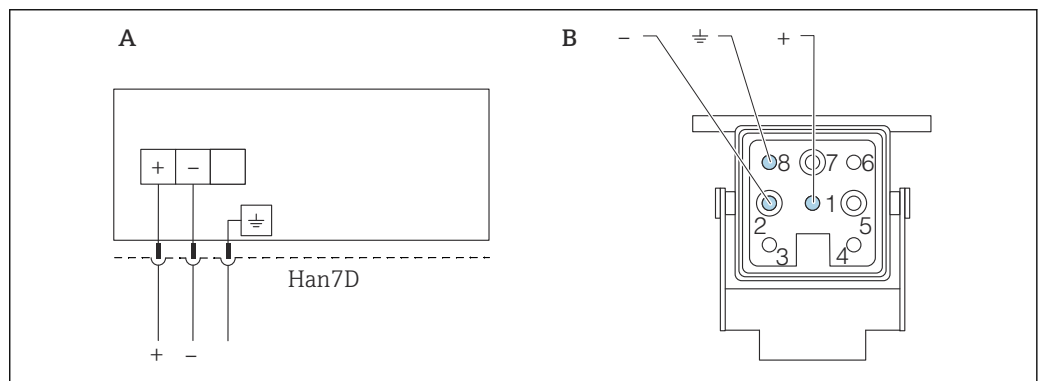
■ 1 = BN = brown

■ 2 = WT = white

■ 3 = BU = blue

■ 4 = BK = black

Devices with a Harting plug Han7D



A Electrical connection for devices with Harting plug Han7D

B View of the plug-in connection on the device

- Brown

≡ Green/yellow

+ Blue

Material: CuZn, gold-plated contacts of the plug-in jack and plug

Supply voltage

■ Analog/HART: Ex d, Ex e, non-Ex: supply voltage: 10.5 to 35 V_{DC}

■ Analog/HART: Ex i: supply voltage: 10.5 to 30 V_{DC}

■ HART: Nominal current: 4 to 20 mA HART

■ PROFINET over Ethernet-APL: APL performance class A (9.6 to 15 V_{DC} 540 mW)

i Analog/HART: The power unit must be safety-approved (e.g. PELV, SELV, Class 2) and must comply with the relevant protocol specifications. For 4 to 20 mA, the same requirements apply as for HART.

i PROFINET with Ethernet-APL: The APL field switch must be safety-approved (e.g. PELV, SELV, Class 2) and must comply with the relevant protocol specifications.

A suitable circuit breaker should be provided for the device in accordance with IEC/EN 61010.

Depending on the supply voltage when the device is switched on

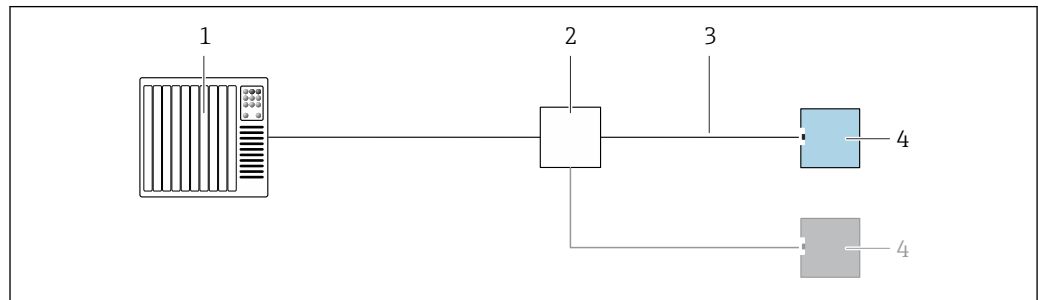
■ the background lighting is switched off (supply voltage <15 V)

■ the Bluetooth function (order option) is also switched off (supply voltage <12 V)

Electrical connection

Connection examples

PROFINET with Ethernet-APL

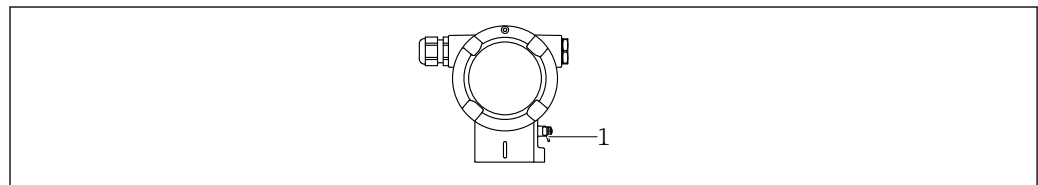


A0045802

4 Connection example for PROFINET with Ethernet-APL

- 1 Automation system
- 2 APL field switch
- 3 Observe cable specifications
- 4 Transmitter

Potential equalization



A0045412

- 1 Ground terminal for connecting the potential matching line

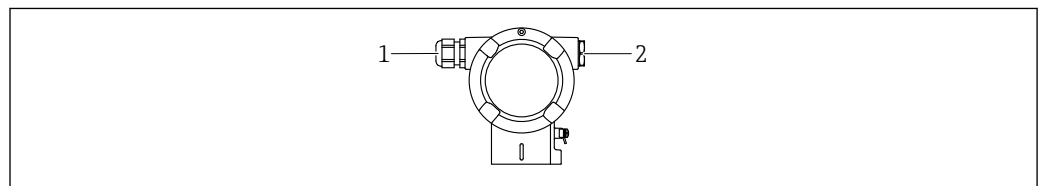
i If necessary, the potential matching line can be connected to the outer ground terminal of the device before the device is connected.

- i** For optimum electromagnetic compatibility:
- Keep the potential matching line as short as possible
 - Maintain a cross-section of at least 2.5 mm² (14 AWG)

Terminals

- Supply voltage and internal ground terminal: 0.5 to 2.5 mm² (20 to 14 AWG)
- External ground terminal: 0.5 to 4 mm² (20 to 12 AWG)

Cable entries



A0045414

- 1 Cable entry
- 2 Dummy plug

The type of cable entry depends on the device version ordered.

i Always route connecting cables downwards so that moisture cannot penetrate the connection compartment.

If necessary, create a drip loop or use a weather protection cover.

Cable specification

- The cable outer diameter depends on the cable entry used
- Cable outer diameter
 - Plastic: Ø5 to 10 mm (0.2 to 0.38 in)
 - Nickel-plated brass: Ø7 to 10.5 mm (0.28 to 0.41 in)
 - Stainless steel: Ø7 to 12 mm (0.28 to 0.47 in)

PROFINET with Ethernet-APL

The reference cable type for APL segments is fieldbus cable type A, MAU type 1 and 3 (specified in IEC 61158-2). This cable meets the requirements for intrinsically safe applications according to IEC TS 60079-47 and can also be used in non-intrinsically safe applications.

Cable type	A
Cable capacitance	45 to 200 nF/km
Loop resistance	15 to 150 Ω /km
Cable inductance	0.4 to 1 mH/km

Further details are provided in the Ethernet-APL Engineering Guideline (<https://www.ethernet-apl.org>).

Overvoltage protection**Devices without optional overvoltage protection**

Equipment from Endress+Hauser fulfills the requirements of the product standard IEC / DIN EN 61326-1 (Table 2 Industrial Environment).

Depending on the type of port (DC power supply, input/output port) different testing levels according to IEC / DIN EN 61326-1 against transient overvoltages (Surge) are applied (IEC / DIN EN 61000-4-5 Surge):

Test level on DC power ports and input / output ports is 1000 V line to earth

Devices with optional overvoltage protection

- Spark-over voltage: min. 400 V DC
- Tested according to IEC / DIN EN 60079-14 sub chapter 12.3 (IEC / DIN EN 60060-1 chapter 7)
- Nominal discharge current: 10 kA

Overvoltage category

Overvoltage category II

Performance characteristics

Response time

- HART: acyclic: min. 330 ms, typically 590 ms (depends on commands and number of preambles)
- HART: cyclic (burst): min. 160 ms, typically 350 ms (depends on commands and number of preambles)
- PROFINET with Ethernet-APL: cyclic: min. 32 ms

Reference operating conditions

- As per IEC 62828-2
- Ambient temperature T_A = constant, in the range of +22 to +28 °C (+72 to +82 °F)
- Humidity ϕ = constant, in the range of: 5 to 80 % rF \pm 5 %
- Ambient pressure p_A = constant, in the range of: 860 to 1 060 mbar (12.47 to 15.37 psi)
- Position of the measuring cell: horizontal \pm 1°
- Input of LOW SENSOR TRIM and HIGH SENSOR TRIM for lower range value and upper range value
- Membrane material: AISI 316L (1.4435)
- Supply voltage: 24 V DC \pm 3 V DC
- Load with HART: 250 Ω
- Turn down (TD) = URL / |URV - LRV|
- Zero based span

Total performance

The performance characteristics refer to the accuracy of the device. The factors influencing accuracy can be divided into two groups

- Total performance of device
- Installation factors

All performance characteristics are in conformance with $\geq \pm 3$ sigma.

The total performance of the device comprises the reference accuracy and the ambient temperature effect and is calculated using the following formula:

$$\text{Total performance} = \pm \sqrt{(E1)^2 + (E2)^2 + (E3)^2}$$

E1 = Reference accuracy

E2 = Ambient temperature effect

E3 = Static pressure effect

Influence of diaphragm seal (calculation performed with Applicator "Sizing Diaphragm Seal")

Calculation of E2:

Ambient temperature effect per ± 28 °C (50 °F)

(corresponds to the range from -3 to +53 °C (+27 to +127 °F))

$$E2 = E2_M + E2_E$$

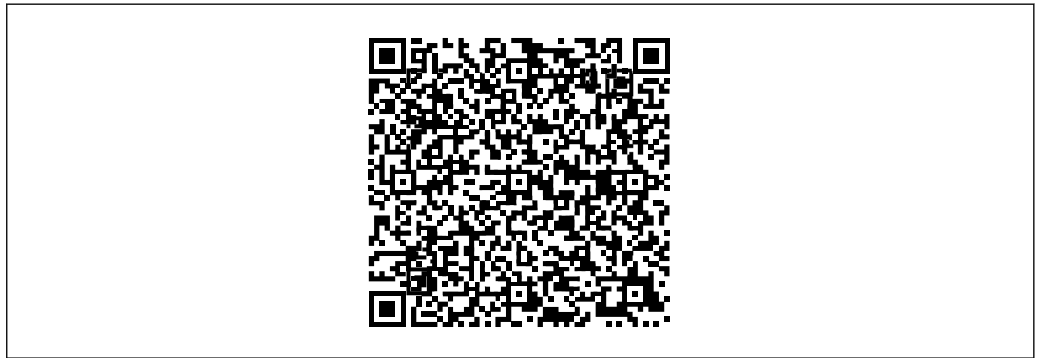
$E2_M$ = Main temperature error

$E2_E$ = Electronics error

- The values apply to membranes made of 316L (1.4435)
- The values refer to the calibrated span.

Calculation of the total performance with the Endress+Hauser Applicator

Detailed inaccuracies, e.g. for other temperature ranges, can be calculated with the Applicator "[Sizing Pressure Performance](#)".



A0038927

Calculation of the diaphragm seal error with the Endress+Hauser Applicator

Diaphragm seal errors are not taken into consideration. They are calculated separately in the Applicator "[Sizing Diaphragm Seal](#)".



A0038925

Reference accuracy [E1]

The reference accuracy comprises the non-linearity according to the limit point method, pressure hysteresis and non-repeatability in accordance with [IEC62828-1 / IEC 61298-2]. Reference accuracy for standard up to TD 100:1.

Diaphragm seal on one side with temperature isolator

Measuring cell	Standard	Platinum
100 mbar (1.5 psi)	TD 1:1 to 5:1 = ±0.10 % TD > 5:1 = ±0.02 % · TD	not available
500 mbar (7.5 psi)	TD 1:1 to 15:1 = ±0.075 % TD > 15:1 = ±(0.0015 % · TD + 0.053 %)	not available
3 bar (45 psi) 16 bar (240 psi) 40 bar (600 psi)	TD 1:1 to 15:1 = ±0.075 % TD > 15:1 = ±(0.0015 % · TD + 0.053 %)	not available

Version "Diaphragm seal one side or two sides with capillary" or version "Diaphragm seal with temperature isolator on HP side and with capillary on LP side"

Measuring cell	Standard	Platinum
100 mbar (1.5 psi)	TD 1:1 to 5:1 = $\pm 0.15\%$ TD > 5:1 = $\pm 0.03\% \cdot \text{TD}$	not available
500 mbar (7.5 psi)	TD 1:1 to 5:1 = $\pm 0.15\%$ TD > 5:1 = $\pm 0.03\% \cdot \text{TD}$	not available
3 bar (45 psi) 16 bar (240 psi) 40 bar (600 psi)	TD 1:1 to 15:1 = $\pm 0.1\%$ TD > 15:1 = $\pm(0.006\% \cdot \text{TD} + 0.01\%)$	not available

Temperature effect [E2]*E2_M - Main temperature error*

The output changes due to the effect of the ambient temperature [IEC 62828-1 / IEC 61298-3] with respect to the reference temperature [IEC 62828-1]. The values specify the maximum error due to min./max. ambient or process temperature conditions.

100 mbar (1.5 psi) measuring cell
 $\pm(0.07 \% \cdot TD + 0.07 \%)$

500 mbar (7.5 psi) measuring cell
 $\pm(0.03 \% \cdot TD + 0.017 \%)$

3 bar (45 psi), 16 bar (240 psi) and 40 bar (600 psi) measuring cell
 $\pm(0.012 \% \cdot TD + 0.017 \%)$

E2_E - Electronics error

- 4 to 20 mA: 0.05 %
- Digital output HART: 0 %
- Digital output PROFINET: 0 %

E3_M - Main static pressure error

The static pressure effect refers to the effect on the output due to changes in the static pressure of the process (difference between the output at each static pressure and the output at atmospheric pressure [IEC 62828-2 / IEC 61298-3] and therefore the combination of the influence of the operating pressure on the zero point and the span).

100 mbar (1.5 psi) measuring cell
 Standard

- Influence on the zero point: $\pm 0.203 \% \cdot TD$ per 70 bar (1 050 psi)
- Influence on the span: $\pm 0.15 \%$ per 70 bar (1 050 psi)

500 mbar (7.5 psi) measuring cell
 Standard

- Influence on the zero point: $\pm 0.07 \% \cdot TD$ per 70 bar (1 050 psi)
- Influence on the span: $\pm 0.10 \%$ per 70 bar (1 050 psi)

3 bar (45 psi) measuring cell
 Standard

- Influence on the zero point: $\pm 0.049 \% \cdot TD$ per 70 bar (1 050 psi)
- Influence on the span: $\pm 0.05 \%$ per 70 bar (1 050 psi)

16 bar (240 psi) and 40 bar (600 psi) measuring cell
 Standard

- Influence on the zero point: $\pm 0.049 \% \cdot TD$ per 70 bar (1 050 psi)
- Influence on the span: $\pm 0.02 \%$ per 70 bar (1 050 psi)

Resolution

Current output: $<1 \mu\text{A}$

Total error

The total error of the device comprises the total performance and the long-term stability effect and is calculated using the following formula:

Total error = total performance + long-term stability

Calculation of the total error with the Endress+Hauser Applicator

Detailed inaccuracies, e.g. for other temperature ranges, can be calculated with the Applicator "[Sizing Pressure Performance](#)".



A0038927

Calculation of the diaphragm seal error with the Endress+Hauser Applicator

Diaphragm seal errors are not taken into consideration. They are calculated separately in the Applicator ["Sizing Diaphragm Seal"](#).



A0038925

Long-term stability

100 mbar (1.5 psi) measuring cell

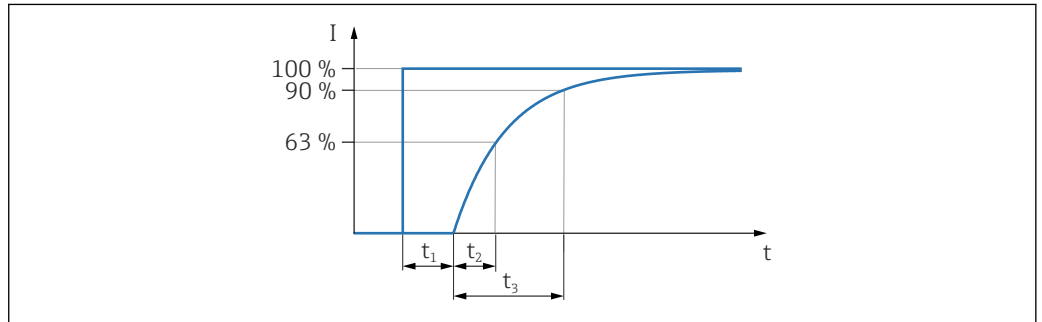
- 1 year: ± 0.08 %
- 5 years: ± 0.12 %
- 10 years: ± 0.20 %
- 15 years: ± 0.28 %

500 mbar (7.5 psi), 3 bar (45 psi), 16 bar (240 psi) and 40 bar (600 psi) measuring cell

- 1 year: ± 0.025 %
- 5 years: ± 0.05 %
- 10 years: ± 0.10 %
- 15 years: ± 0.15 %

Response time T63 and T90 Dead time, time constant

Representation of dead time and time constant as per IEC62828-1:



A0019786

Step response time = dead time (t_1) + time constant T90 (t_3) according to IEC62828-1

Dynamic behavior, current output

Depends on the diaphragm seal. Calculate in the Applicator.

The "Thermal Range Expander" diaphragm seal can be used for extreme applications with high process temperatures and low ambient temperatures. The range of application is expanded by the use of two different fill fluids (fill fluid in the primary chamber for high process temperature and fill fluid in the secondary chamber for ambient temperature).

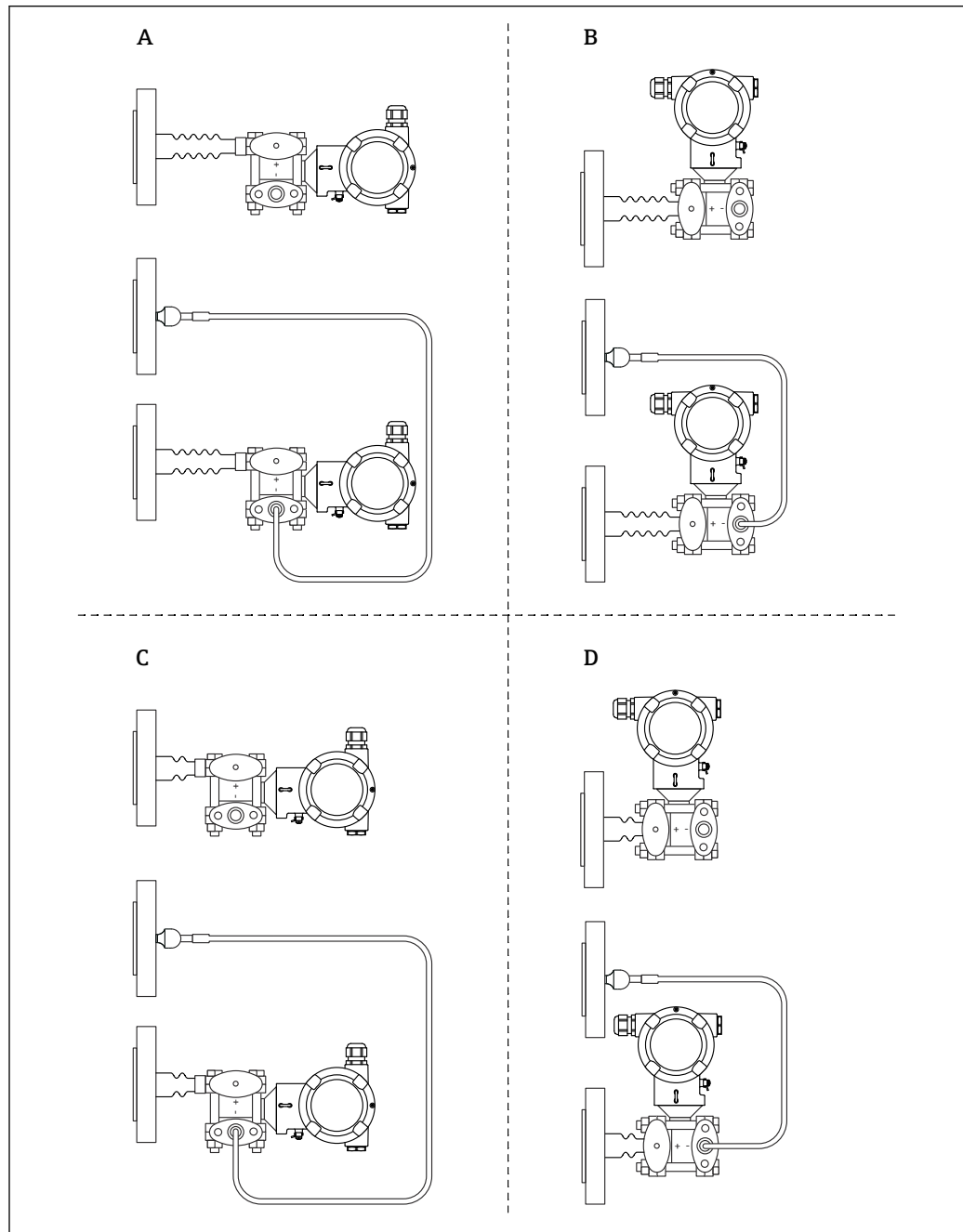
Ordering information: Product Configurator, order code for "Application package", option "Thermal Range Expander"

Warm-up time (according to IEC62828-4) ≤ 5 s

Mounting

Orientation

Diaphragm seal on one side or both sides with temperature isolator

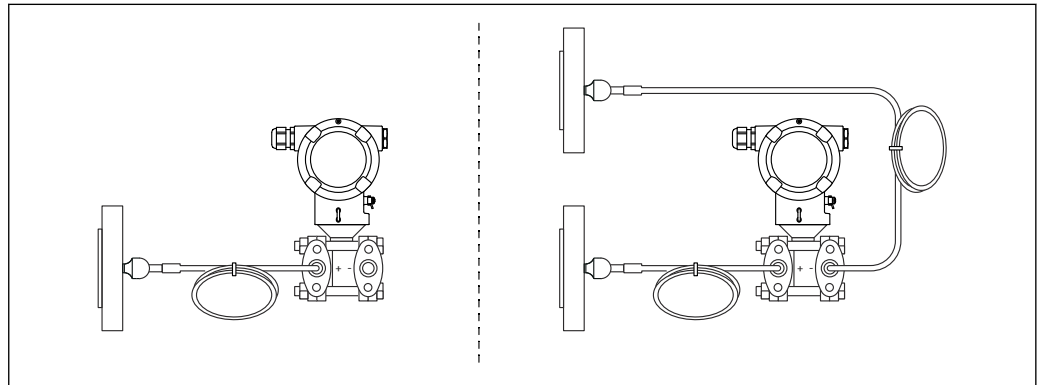


A0038658

- A Design HP side: Transmitter horizontal, temperature isolator long
 B Design HP side: Transmitter vertical, temperature isolator long
 C Design HP side: Transmitter horizontal, temperature isolator short
 D Design HP side: Transmitter vertical, temperature isolator short

Diaphragm seal on one side or both sides with capillary

In vacuum applications, mount the pressure transmitter below the lower diaphragm seal.



A0039528

 Use "[Sizing Diaphragm Seal](#)" for the installation check.

Order options:

- m capillary, 316L (standard capillary armor)
- m capillary, PVC-coated capillary armor on 316L
- m capillary, PTFE-jacketed capillary armor on 316L
- ft capillary, 316L (standard capillary armor)
- ft capillary, PVC-coated capillary armor on 316L
- ft capillary, PTFE-jacketed capillary armor on 316L

Installation instructions for devices with diaphragm seals

General information

A diaphragm seal together with the transmitter form a closed, calibrated system, which has been filled through openings in the diaphragm seal and in the transmitter's measurement system. These openings are sealed and must not be opened.

In the case of devices with diaphragm seals and capillaries, the zero point shift caused by the hydrostatic pressure of the filling liquid column in the capillaries must be taken into account when selecting the measuring cell. Perform zero adjustment if necessary. If a measuring cell with a small measuring range is selected, a position adjustment can cause the measuring cell to go over range (position adjustment due to zero point offset, caused by the orientation of the fill fluid liquid column).

For devices with a capillary, use a suitable bracket (mounting bracket) for mounting.

When mounting, sufficient strain relief must be provided for the capillary to prevent the capillary from bending (capillary bending radius ≥ 100 mm (3.94 in)).

Mount the capillary so that it is vibration-free (in order to avoid additional pressure fluctuations).

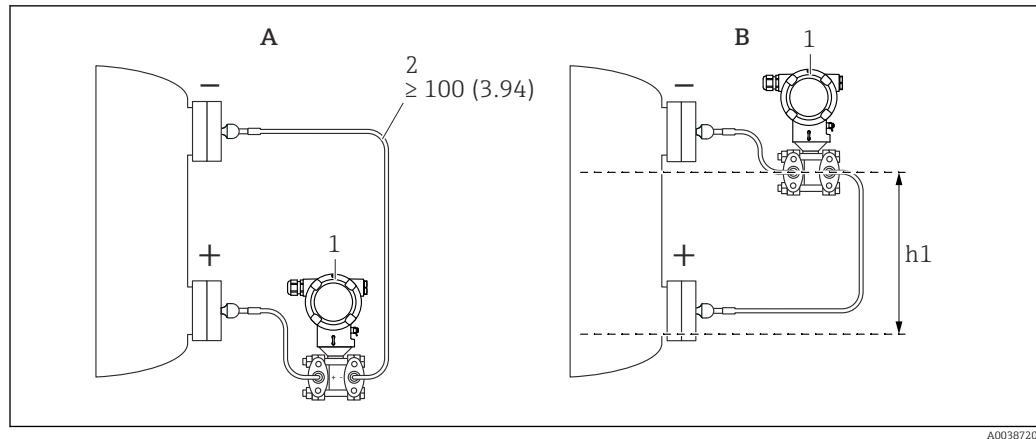
Do not mount capillaries in the vicinity of heating or cooling lines and protect them against direct sunlight.

More detailed installation instructions are provided in the Applicator "[Sizing Diaphragm Seal](#)".

Vacuum applications

In vacuum applications, mount the pressure transmitter below the diaphragm seal. This prevents additional vacuum loading of the diaphragm seal caused by the presence of fill fluid in the capillary.

If the pressure transmitter is mounted above the diaphragm seal, do not exceed the maximum height difference h_1 . The height difference h_1 is shown in the Applicator "[Sizing Diaphragm Seal](#)".



Unit of measurement mm (in)

A Recommended installation in a vacuum application

B Installation above the lower diaphragm seal

h1 Height difference (is shown in the Applicator "Sizing Diaphragm Seal")

1 Device

2 Bending radius ≥ 100 mm (3.94 in). Ensure strain relief to prevent the capillary from bending.

The maximum height difference depends on the density of the fill fluid and the lowest absolute pressure that can ever occur at the diaphragm seal (empty vessel).

Information on cleaning

Endress+Hauser provides flushing rings as an accessory to enable the membrane to be cleaned without removing the transmitter from the process.



For more information: contact the Endress+Hauser sales office.

Sensor selection and arrangement

Level measurement

Level measurement in an open vessel, diaphragm seal on one side with temperature isolator

- Mount the device directly on the vessel
- The negative side is open to atmospheric pressure

Level measurement in a closed vessel, diaphragm seal on one side with temperature isolator

- Mount the device directly on the vessel
- Always connect the piping on the negative side above the maximum level

Level measurement in a closed vessel, diaphragm seal on one side or both sides with capillary

Mount the device below the lower diaphragm seal

Level measurement is only guaranteed between the upper edge of the lower diaphragm seal and the lower edge of the upper diaphragm seal.

Level measurement in a closed vessel with superimposed vapor, diaphragm seal on one side with temperature isolator

- Mount the device directly on the vessel
- Always connect the piping on the negative side above the maximum level
- The condensate trap ensures constant pressure on the negative side
- When measuring in media with solid parts (such as dirty liquids) installing separators and drain valves is useful for capturing and removing sediment

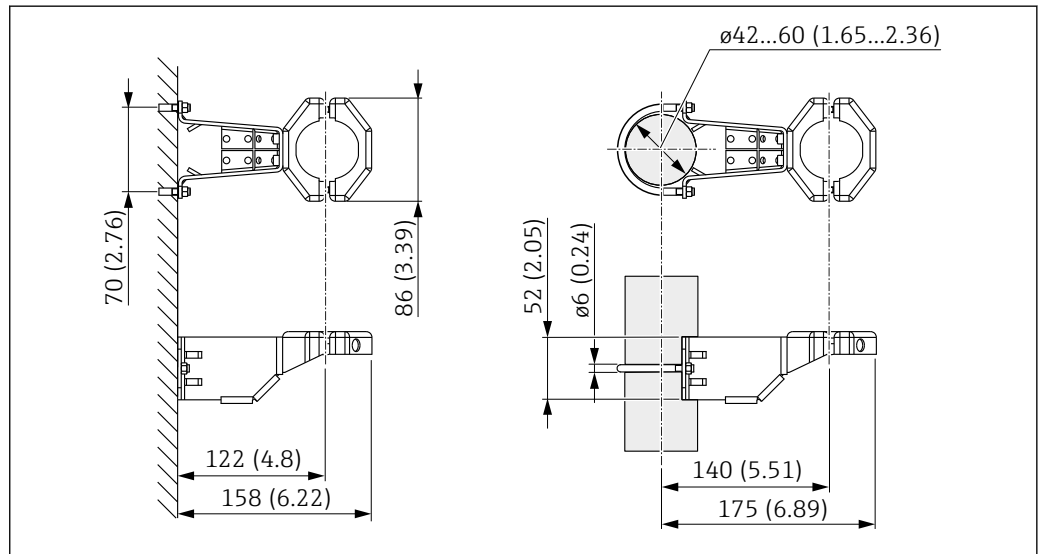
Differential pressure measurement

Differential pressure measurement in gases, vapors and liquids, diaphragm seal on one side or two sides with capillary

- Mount diaphragm seals with capillaries on pipes at the top or side
- In vacuum applications, mount the device below the measuring point

Mounting bracket for separate housing

The separate housing can be mounted on walls or pipes (for pipes with a diameter of 1 ¼" to 2") using the mounting bracket.



Unit of measurement mm (in)

Ordering information:

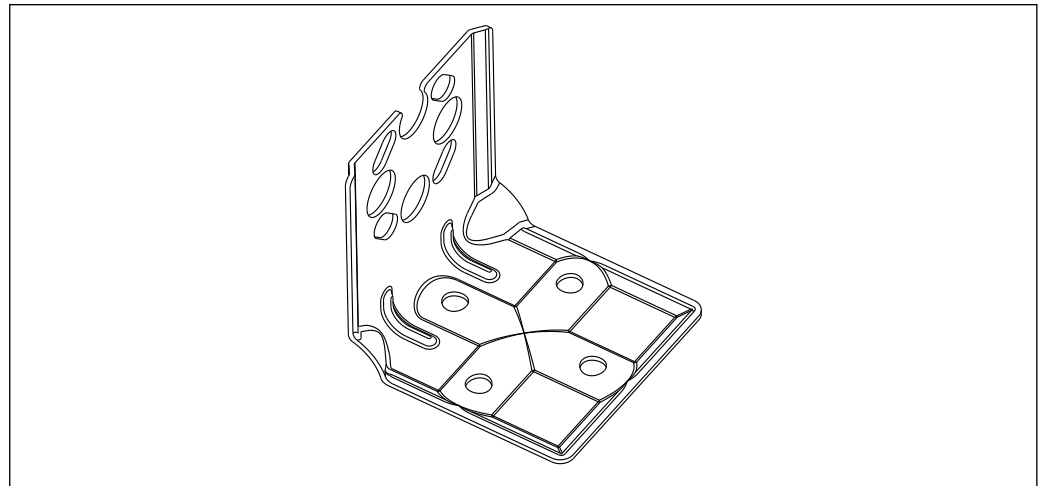
Can be ordered as a separate accessory, part number 71102216



The mounting bracket is included in the delivery if you order the device with a separate housing.

Wall and pipe mounting

Endress+Hauser offers the following mounting bracket for installing the device on pipes or walls:



- Bracket for wall and pipe mounting including retaining bracket for pipe mounting and two nuts
- The material of the screws used to secure the device depends on the order code



For technical data (e.g. materials, dimensions or order numbers), see the accessory document SD01553P.

Special mounting instructions

Sensor, remote (separate housing)

The housing of the device (including electronic insert) is mounted away from the measuring point.

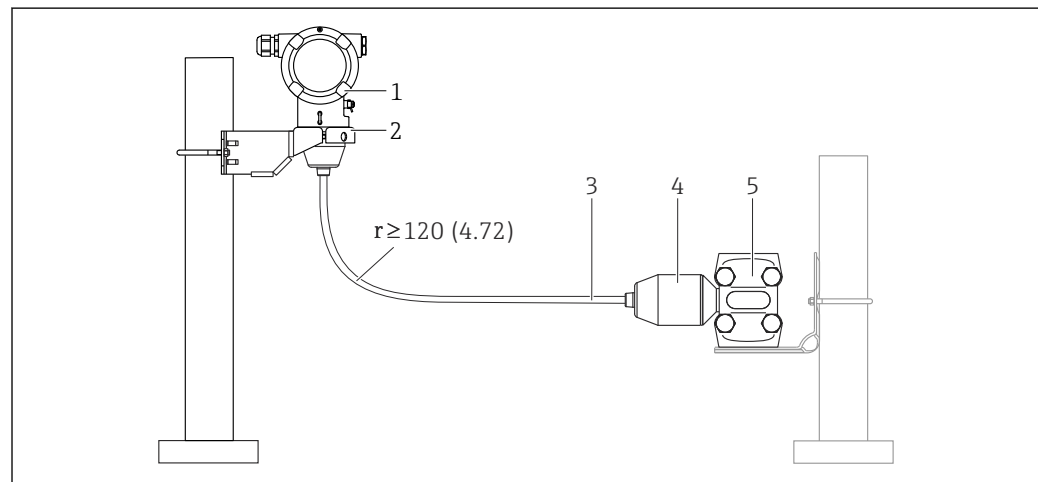
This version thus facilitates trouble-free measurement

- Under particularly difficult measuring conditions (at installation locations that are cramped or difficult to access)
- If the measuring point is exposed to vibrations

Cable versions:

- PE: 2 m (6.6 ft), 5 m (16 ft) and 10 m (33 ft)
- FEP: 5 m (16 ft).

The sensor is supplied with the process connection and cable fitted. The housing (including electronic insert) and a mounting bracket are enclosed as separate units. The cable is provided with a socket at both ends. These sockets are simply connected to the housing (including electronic insert) and the sensor.



- 1 Sensor, remote (including electronic insert)
- 2 Mounting bracket provided, suitable for wall mounting or pipe mounting
- 3 Cable, both ends are fitted with a socket
- 4 Process connection adapter
- 5 Process connection with sensor

Ordering information:

- Sensor, remote (including electronic insert), and mounting bracket can be ordered via the Product Configurator
- Mounting bracket can also be ordered as a separate accessory, part number 71102216

Technical data for cable:

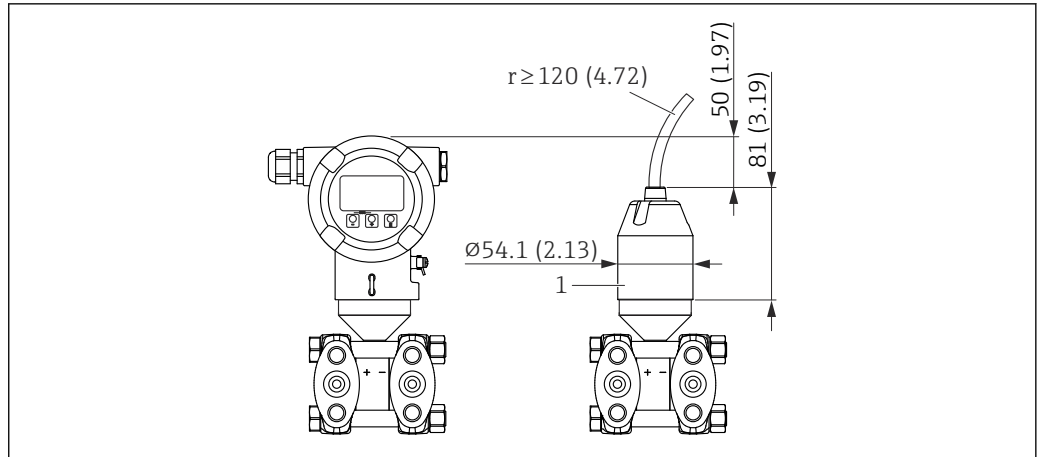
- Minimum bending radius: 120 mm (4.72 in)
- Cable extraction force: max. 450 N (101.16 lbf)
- Resistance to UV light

Use in hazardous area:

- Intrinsically safe installations (Ex ia/IS)
- FM/CSA IS: for Div.1 installation only

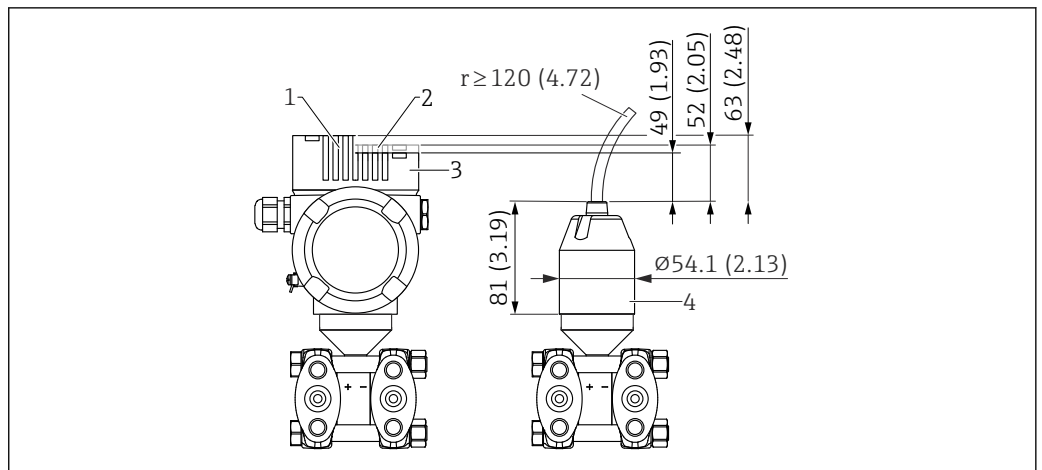
Reduction of the installation height

If this version is used, the mounting height of the process connection is reduced compared to the dimensions of the standard version.



A0047097

1 Process connection adapter



A0047098

- 1 Device with display, cover with sight glass made of glass (devices for Ex d/XP, dust Ex)
- 2 Device with display, cover with plastic sight glass
- 3 Device without display, cover without sight glass
- 4 Process connection adapter

Environment

Ambient temperature range	<p>The following values apply up to a process temperature of +85 °C (+185 °F). At higher process temperatures, the permitted ambient temperature is reduced.</p> <ul style="list-style-type: none"> ■ Without segment display or graphic display: <ul style="list-style-type: none"> ■ Standard: -40 to +85 °C (-40 to +185 °F) ■ Optionally available: -50 to +85 °C (-58 to +185 °F) with restricted operating life and performance ■ Optionally available: -54 to +85 °C (-65 to +185 °F); below -50 °C (-58 °F): devices can be permanently damaged ■ With segment display or graphic display: -40 to +85 °C (-40 to +185 °F) with limitations in optical properties such as display speed and contrast. Can be used without limitations up to -20 to +60 °C (-4 to +140 °F) Segment display: up to -50 to +85 °C (-58 to +185 °F) with restricted operating life and performance ■ Devices with PVC-coated capillary armor: -25 to +80 °C (-13 to +176 °F) ■ Separate housing: -20 to +60 °C (-4 to +140 °F) <p>Applications with very high temperatures: use either a diaphragm seal on one side with a temperature isolator, or a diaphragm seal on one side or both sides with a capillary. Use a mounting bracket!</p> <p>If vibrations additionally occur in the application: use a device with a capillary.</p>
	<p>Hazardous area</p> <ul style="list-style-type: none"> ■ For devices for use in hazardous areas, see the Safety Instructions, Installation Drawing or Control Drawing ■ Devices that have the most common explosion protection certificates (e.g. ATEX/ IEC Ex, etc.) can be used in explosive atmospheres with an ambient temperature of -54 to +85 °C (-65 to +185 °F) (optionally available). The functionality of the explosion protection Ex ia is guaranteed for ambient temperatures to -50 °C (-58 °F) (optionally available). At temperatures ≤ -50 °C (-58 °F), explosion protection is guaranteed by the housing in the case of flameproof enclosure (Ex d) type of protection. The functionality of the transmitter cannot be fully guaranteed. The Ex ia capability can no longer be guaranteed.
Storage temperature	<ul style="list-style-type: none"> ■ Without LCD display: <ul style="list-style-type: none"> ■ Standard: -40 to +90 °C (-40 to +194 °F) ■ Optionally available: -50 to +90 °C (-58 to +194 °F) with restricted operating life and performance ■ Optionally available: -54 to +90 °C (-65 to +194 °F); below -50 °C (-58 °F): Ex d devices can be permanently damaged ■ With LCD display: -40 to +85 °C (-40 to +185 °F) ■ Separate housing: -40 to +60 °C (-40 to +140 °F) <p>With M12 plug, elbowed: -25 to +85 °C (-13 to +185 °F)</p> <p>Devices with PVC-coated capillary armor: -25 to +90 °C (-13 to +194 °F)</p>
Operating altitude	Up to 5 000 m (16 404 ft) above sea level.
Climate class	<p>Class 4K4H (air temperature: -20 to +55 °C (-4 to +131 °F), relative humidity: 4 to 100 %) satisfied as per DIN EN 60721-3-4.</p> <p>Condensation is possible.</p>
Atmosphere	<p>Operation in very corrosive environment</p> <p>For corrosive environments (e.g. maritime environment / coastal areas), Endress+Hauser recommends the use of a PVC-coated capillary armor or a PTFE capillary armor for capillaries and the stainless steel housing. The transmitter can be additionally protected by a special coating (Technical Special Product (TSP)).</p>
Degree of protection	Test as per IEC 60529 and NEMA 250-2014
	<p>Housing and process connection</p> <p>IP66/68, TYPE 4X/6P</p>

(IP68: (1.83 mH₂O for 24 h))

Cable entries

- Gland M20, plastic, IP66/68 TYPE 4X/6P
- Gland M20, brass nickel plated, IP66/68 TYPE 4X/6P
- Gland M20, 316L, IP66/68 TYPE 4X/6P
- Thread M20, IP66/68 TYPE 4X/6P
- Thread G1/2, IP66/68 TYPE 4X/6P
- Thread NPT1/2, IP66/68 TYPE 4X/6P
- Dummy plug transport protection: IP22, TYPE 2
- Plug HAN7D, 90 deg. IP65 NEMA Type 4X
- Plug M12

If the G1/2 thread is selected, the device is delivered with an M20 thread as standard and a G1/2 adapter is included with the delivery, along with the corresponding documentation

When housing is closed and connecting cable is plugged in: IP66/67 NEMA Type 4X
 When housing is open or connecting cable is not plugged in: IP20, NEMA Type 1

NOTICE

Plug M12 and plug HAN7D: incorrect mounting can invalidate the IP protection class!

- ▶ The degree of protection only applies if the connecting cable used is plugged in and screwed tight.
- ▶ The degree of protection only applies if the connecting cable used is specified according to IP67 NEMA Type 4X.
- ▶ The IP protection classes are only maintained if the dummy cap is used or the cable is connected.

Process connection and process adapter when using the separate housing

FEP cable

- IP69 (on sensor side)
- IP66 TYPE 4/6P
- IP68 (1.83 mH₂O for 24 h) TYPE 4/6P

PE cable

- IP69 (on sensor side)
- IP66 TYPE 4/6P
- IP68 (1.83 mH₂O for 24 h) TYPE 4/6P

Electromagnetic compatibility (EMC)

- Electromagnetic compatibility as per EN 61326 series and NAMUR recommendation EMC (NE21)
- With regard to the safety function (SIL), the requirements of EN 61326-3-x are satisfied
- Maximum deviation with interference influence: < 0.5% of span with full measuring range (TD 1:1)

For more details refer to the EU Declaration of Conformity.

Process

Process temperature range

NOTICE

The permitted process temperature depends on the process connection, the ambient temperature and the type of approval.

- All the temperature data in this document must be taken into consideration when selecting the device.

Diaphragm seal fill fluid

Fill fluid	$P_{\text{abs}} = 0.05 \text{ bar (0.725 psi)}^{1)}$	$P_{\text{abs}} \geq 1 \text{ bar (14.5 psi)}^{2)}$
Silicone oil	-40 to +180 °C (-40 to +356 °F)	-40 to +250 °C (-40 to +482 °F)
High-temperature oil	-20 to +200 °C (-4 to +392 °F)	-20 to +400 °C (-4 to +752 °F) ^{3) 4) 5)}
Low-temperature oil	-70 to +120 °C (-94 to +248 °F)	-70 to +180 °C (-94 to +356 °F)
Vegetable oil	-10 to +160 °C (+14 to +320 °F)	-10 to +220 °C (+14 to +428 °F)
Inert oil	-40 to +100 °C (-40 to +212 °F)	-40 to +175 °C (-40 to +347 °F) ^{6) 7)}

- 1) Permitted temperature range at $p_{\text{abs}} = 0.05 \text{ bar (0.725 psi)}$ (observe temperature limits of the device and the system!)
- 2) Permitted temperature range at $p_{\text{abs}} \geq 1 \text{ bar (14.5 psi)}$ (observe temperature limits of the device and the system!)
- 3) 325 °C (617 °F) at $\geq 1 \text{ bar (14.5 psi)}$ absolute pressure
- 4) 350 °C (662 °F) at $\geq 1 \text{ bar (14.5 psi)}$ absolute pressure (max. 200 hours)
- 5) 400 °C (752 °F) at $\geq 1 \text{ bar (14.5 psi)}$ absolute pressure (max. 10 hours)
- 6) 150 °C (302 °F) at $\geq 1 \text{ bar (14.5 psi)}$ absolute pressure
- 7) 175 °C (347 °F) at $\geq 1 \text{ bar (14.5 psi)}$ absolute pressure (max. 200 hours)

Fill fluid	Density ¹⁾ kg/m ³
Silicone oil	970
High-temperature oil	995
Low-temperature oil	940
Vegetable oil	920
Inert oil	1900

- 1) Density of the diaphragm seal fill fluid at 20 °C (68 °F).

The calculation of the operating temperature range of a diaphragm seal system depends on the fill fluid, capillary length and capillary internal diameter, process temperature and oil volume of the diaphragm seal. Detailed calculations, e.g. for temperature ranges, negative pressure and temperature ranges, are done separately in the Applicator "[Sizing Diaphragm Seal](#)".



A0038925

Oxygen applications (gaseous)

Oxygen and other gases can react explosively to oils, grease and plastics. The following precautions must be taken:

- All components of the system, such as devices, must be cleaned in accordance with national requirements.
- Depending on the materials used, a certain maximum temperature and a maximum pressure must not be exceeded for oxygen applications.

The cleaning of the device (not accessories) is provided as an optional service.

- p_{max} : PN of the flange, max. 80 bar (1 200 psi)
- T_{max} : 60 °C (140 °F)

Seals

Seal on the LP side (-)	Temperature	Pressure specifications
FKM	-20 to +85 °C (-4 to +185 °F)	-
FKM Cleaned of oil and grease	-10 to +85 °C (+14 to +185 °F)	-
FKM Cleaned for oxygen service	-10 to +60 °C (+14 to +140 °F)	-
FFKM	-10 to +85 °C (+14 to +185 °F)	MWP: 160 bar (2 320 psi)
	-25 to +85 °C (-13 to +185 °F)	MWP: 100 bar (1 450 psi)
EPDM	-40 to +85 °C (-40 to +185 °F)	-
PTFE	-40 to +85 °C (-40 to +185 °F)	PN > 160 bar (2 320 psi) Minimum process temperature: -20 °C (-4 °F)
PTFE Cleaned for oxygen applications	-20 to +60 °C (-4 to +140 °F)	PN > 160 bar (2 320 psi) Minimum process temperature: -20 °C (-4 °F)

- Diaphragm seal and capillary welded: Pay attention to the temperature application limits of the fill fluid
- PMD78B generally OPL on one side 160 bar (2 320 psi), on both sides 240 bar (3 480 psi)
Lower temperatures on request

Process temperature range (temperature at transmitter)

Diaphragm seal on one side with temperature isolator

- Dependent on design (see "Design" section)
- Dependent on diaphragm seal and fill fluid: -70 to +400 °C (-94 to +752 °F)
- Observe the temperature application limits of the fill fluid.
- Observe the maximum gauge pressure and maximum temperature
- Pay attention to the process temperature range of the seal

Design:

- Transmitter horizontal, temperature isolator long: 400 °C (752 °F)
- Transmitter vertical, temperature isolator long: 300 °C (572 °F)
- Transmitter horizontal, temperature isolator short: 200 °C (392 °F)
- Transmitter vertical, temperature isolator short: 200 °C (392 °F)

Diaphragm seal on one side or both sides with capillary

- Depends on diaphragm seal and fill fluid: -70 °C (-94 °F) up to +400 °C (+752 °F)
- A4 screws of process connection, threaded separator: T_{min} -60 °C (-76 °F)
- Observe the maximum gauge pressure and maximum temperature

Diaphragm seal with tantalum membrane

-70 to +300 °C (-94 to +572 °F)

Devices with PTFE-coated diaphragm seal membrane

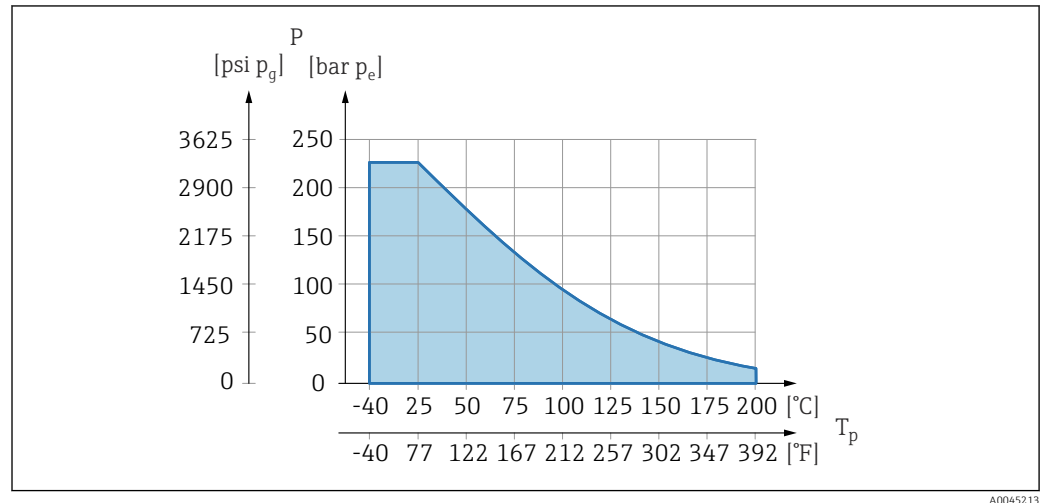
The anti-stick coating has very good anti-friction properties and protects the membrane against abrasive media.

NOTICE

Destruction of the device due to incorrect use of PTFE coating!

- ▶ The PTFE coating used is designed to protect the unit against abrasion. It does not provide protection against corrosive media.

Area of application of the 0.25 mm (0.01 in) PTFE foil on AISI 316L (1.4404/1.4435) membrane, see the following graphic:



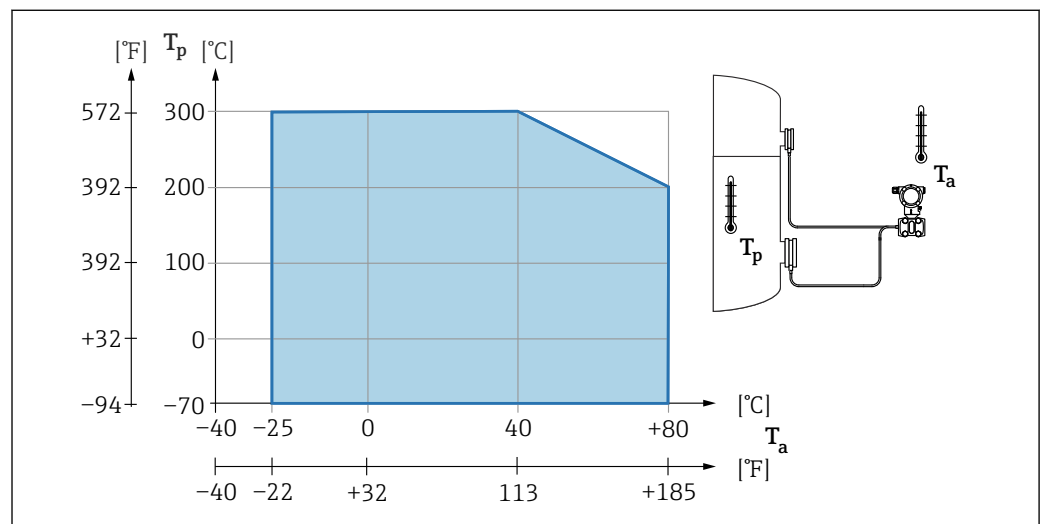
A0045213

- i** For vacuum applications: $p_{abs} \leq 1$ bar (14.5 psi) to 0.05 bar (0.725 psi) to max. +150 °C (302 °F).
If a PTFE coating has been selected, a conventional membrane is always delivered.

Diaphragm seal capillary armor

Process temperature depending on the ambient temperature.

- 316L: No restrictions
- PTFE: No restrictions
- PVC: See the following diagram



A0038682

Process pressure range**Pressure specifications****⚠ WARNING**

The maximum pressure for the device depends on the lowest-rated component with regard to pressure (components are: process connection, optional mounted parts or accessories).

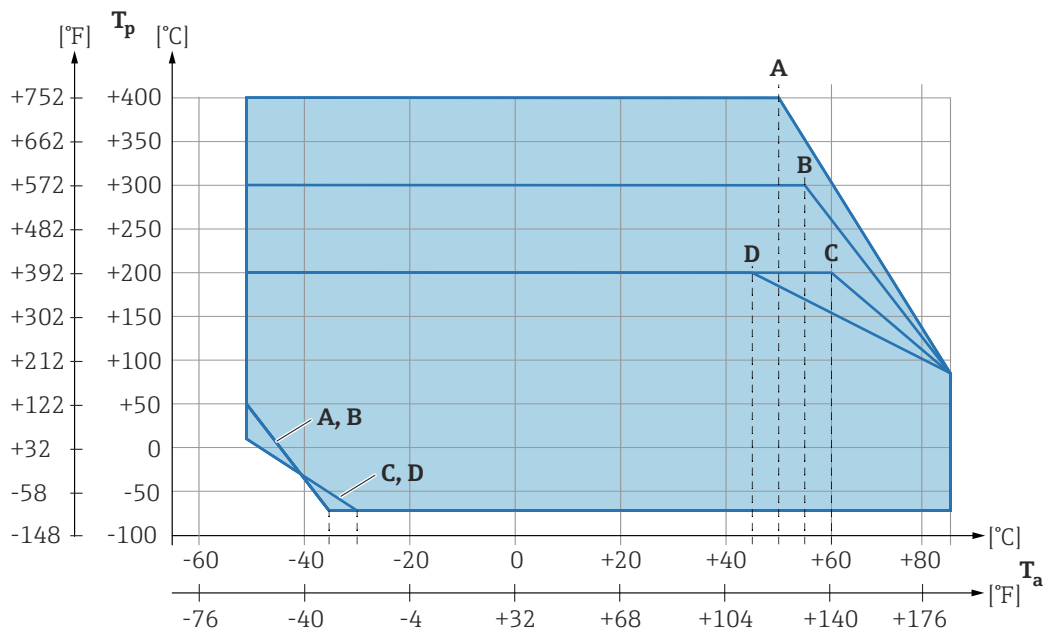
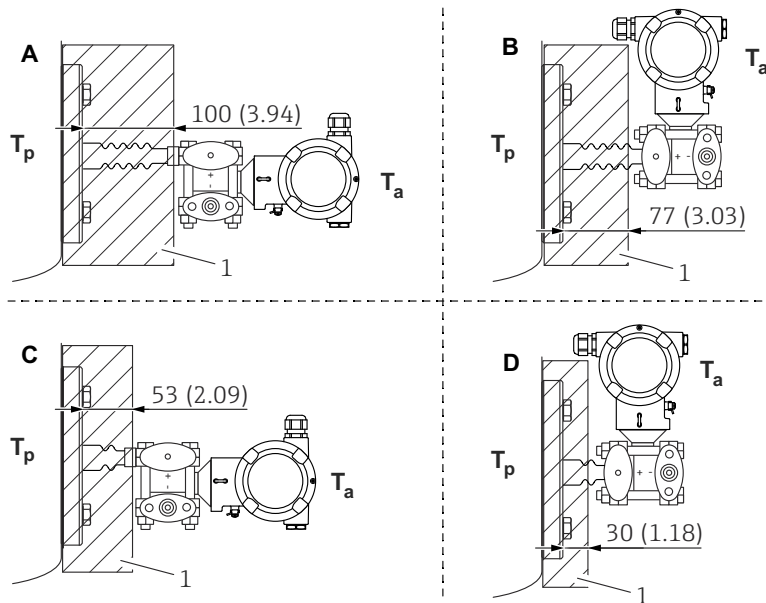
- ▶ Only operate the device within the specified limits for the components!
- ▶ MWP (maximum working pressure): The MWP is specified on the nameplate. This value refers to a reference temperature of +20 °C (+68 °F) and may be applied to the device for an unlimited time. Note temperature dependence of MWP. For flanges, refer to the following standards for the permitted pressure values at higher temperatures: EN 1092-1 (with regard to their stability/temperature property, the materials 1.4435 and 1.4404 are grouped together under EN 1092-1; the chemical composition of the two materials can be identical.), ASME B 16.5a, JIS B 2220 (the latest version of the standard applies in each case). MWP data that deviate from this are provided in the relevant sections of the Technical Information.
- ▶ The overpressure limit is the maximum pressure a device may be subjected to during a test. It is greater than the maximum working pressure by a certain factor. This value refers to a reference temperature of +20 °C (+68 °F).
- ▶ The Pressure Equipment Directive (2014/68/EU) uses the abbreviation "PS". The abbreviation "PS" corresponds to the MWP (maximum working pressure) of the device.
- ▶ In the case of measuring cell range and process connection combinations where the overpressure limit (OPL) of the process connection is smaller than the nominal value of the measuring cell, the device is set at the factory, at the very maximum, to the OPL value of the process connection. If the entire measuring cell range must be used, select a process connection with a higher OPL value (1.5 x PN; MWP = PN).
- ▶ Oxygen applications: do not exceed values for P_{\max} and T_{\max} .

Burst pressure

As of the specified burst pressure, the complete destruction of the pressure-bearing parts and/or a device leak must be expected. It is therefore imperative to avoid such operating conditions by carefully planning and sizing your facility.

Thermal insulation**Thermal insulation when mounting with a temperature isolator**

The device may only be insulated up to a certain height. The maximum permitted insulation height applies to an insulation material with a thermal conductivity $\leq 0.04 \text{ W/(m x K)}$ and to the maximum permitted ambient temperature and process temperature. The data were determined under the application "quiescent air".



A0039331

- 1 Insulation material
- A Transmitter horizontal, temperature isolator long
- B Transmitter vertical, temperature isolator long
- C Transmitter horizontal, temperature isolator short
- D Transmitter vertical, temperature isolator short

Without insulation, the ambient temperature decreases by 5 K.

Item	$T_a^{1)}$	$T_p^{2)}$
A	50 °C (122 °F)	400 °C (752 °F)
	85 °C (185 °F)	85 °C (185 °F) ³⁾
	-50 °C (-58 °F)	50 °C (122 °F)
	-35 °C (-31 °F)	-70 °C (-94 °F)
B	55 °C (131 °F)	300 °C (572 °F) ³⁾
	85 °C (185 °F)	85 °C (185 °F)

Item	$T_a^{1)}$	$T_p^{2)}$
	-50 °C (-58 °F)	50 °C (122 °F)
	-35 °C (-31 °F)	-70 °C (-94 °F)
C	60 °C (140 °F)	200 °C (392 °F) ³⁾
	85 °C (185 °F)	85 °C (185 °F)
	-50 °C (-58 °F)	10 °C (50 °F)
	-30 °C (-22 °F)	-70 °C (-94 °F)
D	67 °C (153 °F)	200 °C (392 °F) ³⁾
	85 °C (185 °F)	85 °C (185 °F)
	-50 °C (-58 °F)	10 °C (50 °F)
	-30 °C (-22 °F)	-70 °C (-94 °F)

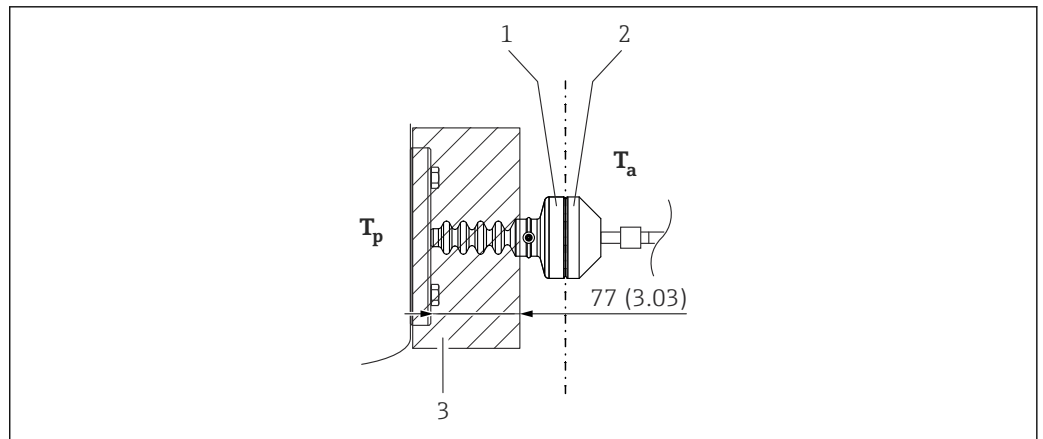
- 1) Maximum ambient temperature at transmitter
- 2) Maximum process temperature
- 3) Process temperature: max. +400 °C (+752 °F), depending on the fill fluid used.

Thermal Range Expander

The "Thermal Range Expander" diaphragm seal can be used for extreme applications with high process temperatures and low ambient temperatures. The range of application is expanded by the use of two different fill fluids (fill fluid in the primary chamber for high process temperature and fill fluid in the secondary chamber for ambient temperature).

The device may only be insulated up to a certain height. The maximum permitted insulation height applies to an insulation material with a thermal conductivity $\leq 0.04 \text{ W/(m x K)}$ and to the maximum permitted ambient temperature and process temperature. The data were determined under the application "quiescent air".

Ordering information: Product Configurator, order code for "Application package", option "Thermal Range Expander"



A0054921

- 1 Primary chamber
- 2 Secondary chamber
- 3 Insulation material

Without insulation, the ambient temperature decreases by 5 K.

Ultrapure gas applications

Endress+Hauser also offers devices for special applications, such as for ultrapure gas, that are cleaned of oil and grease. No special restrictions regarding the process conditions apply to these devices.

Hydrogen applications

A **gold-coated** metallic membrane offers universal protection against hydrogen diffusion, both in gas applications and in applications with water-based solutions.

Mechanical construction

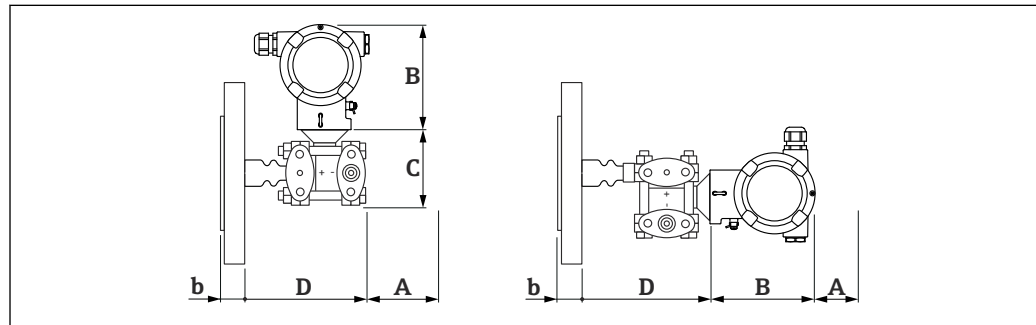
Design, dimensions

Device height

The device height is calculated from

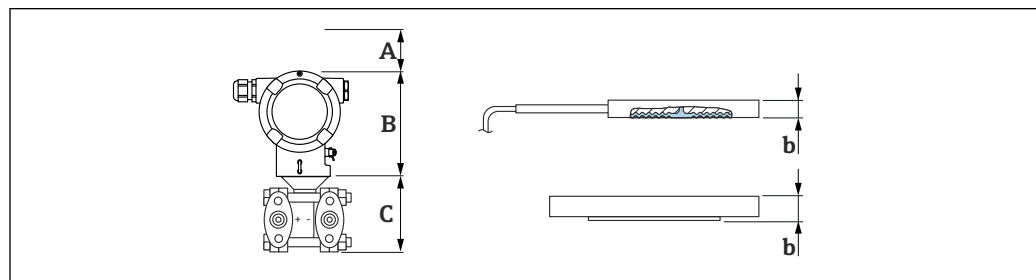
- the height of the housing
- the height of optional mounted parts such as temperature isolators or capillaries
- the height of the individual process connection

The individual heights of the components can be found in the following sections. To calculate the device height, add the individual heights of the components. Take the installation clearance into consideration (space that is used to install the device).



A0038403

- A Installation clearance
 B Height of the housing
 b Height of the process connection
 C Height of the sensor assembly
 D Width of the mounted parts including sensor assembly

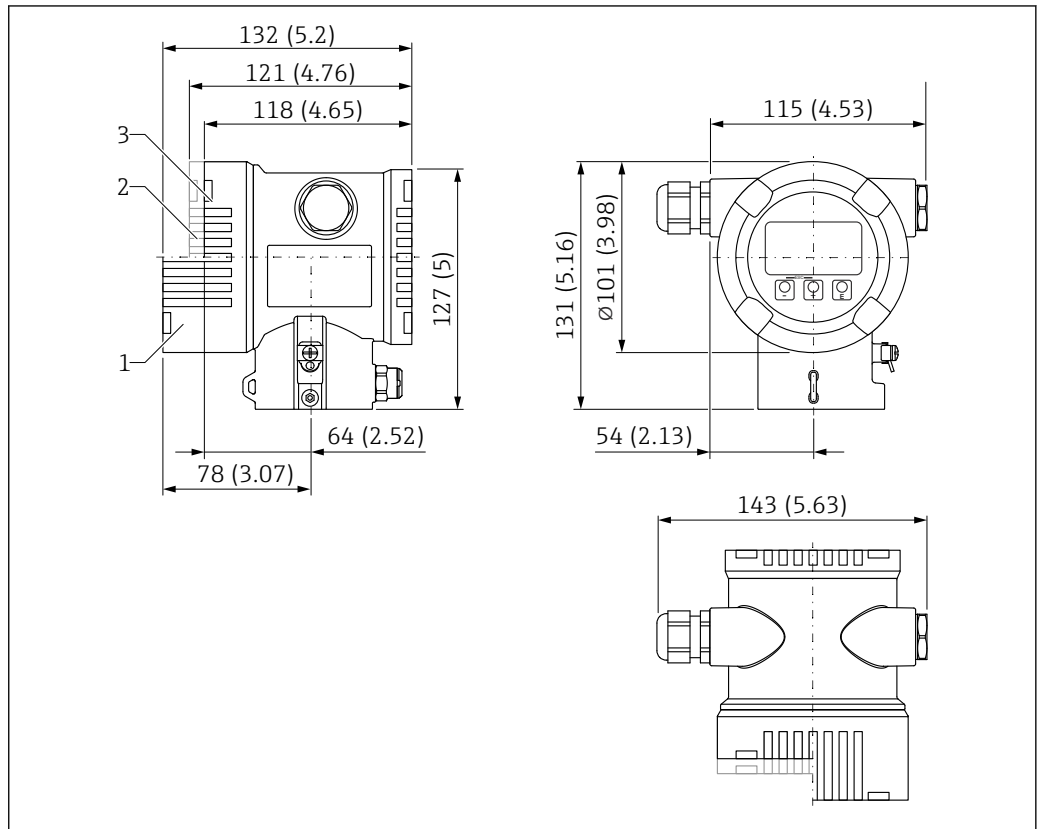


A0038655

- A Installation clearance
 B Height of housing
 C Side flanges
 b Process connections

Dimensions

Dual compartment housing



A0038377

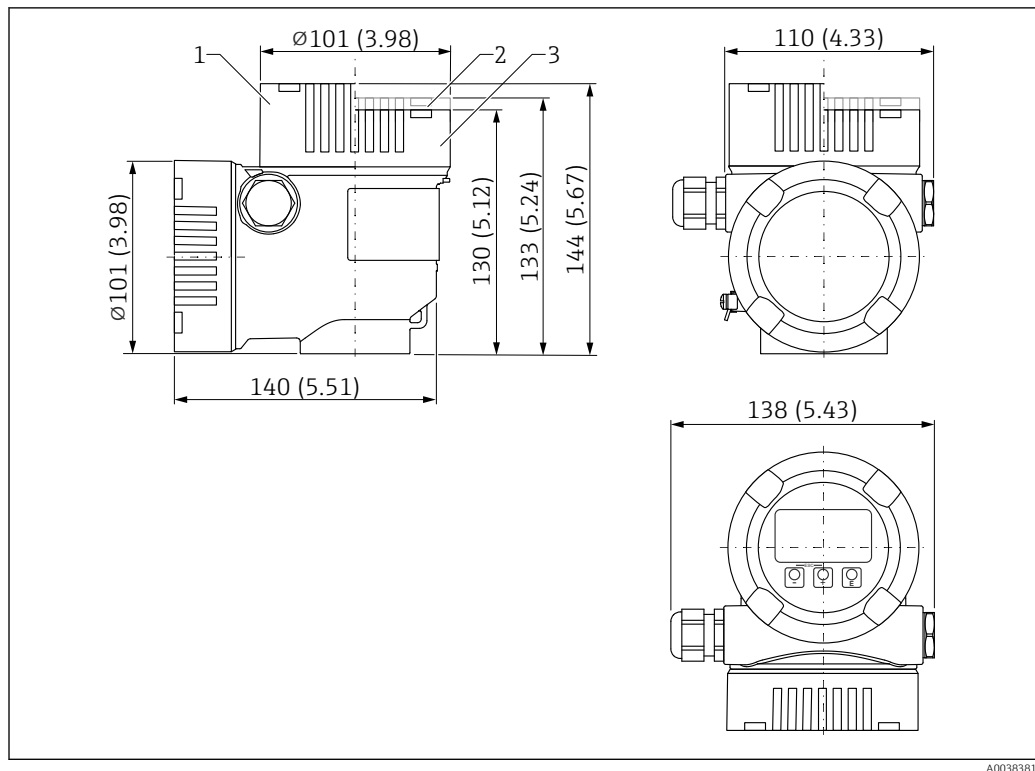
Unit of measurement mm (in)

- 1 Device with display, cover with sight glass made of glass (devices for Ex d/XP, dust Ex): 132 mm (5.2 in)
- 2 Device with display, cover with plastic sight glass: 121 mm (4.76 in)
- 3 Device without display, cover without sight glass: 118 mm (4.65 in)



Cover optionally with ANSI Safety Red (color RAL3002) coating.

Dual compartment L-form housing



A0038381

Unit of measurement mm (in)

- 1 144 mm (5.67 in) Height with cover with sight glass made of glass (devices for Ex d/XP, dust Ex)
- 2 133 mm (5.24 in) Height with cover with plastic sight glass
- 3 Cover without sight glass

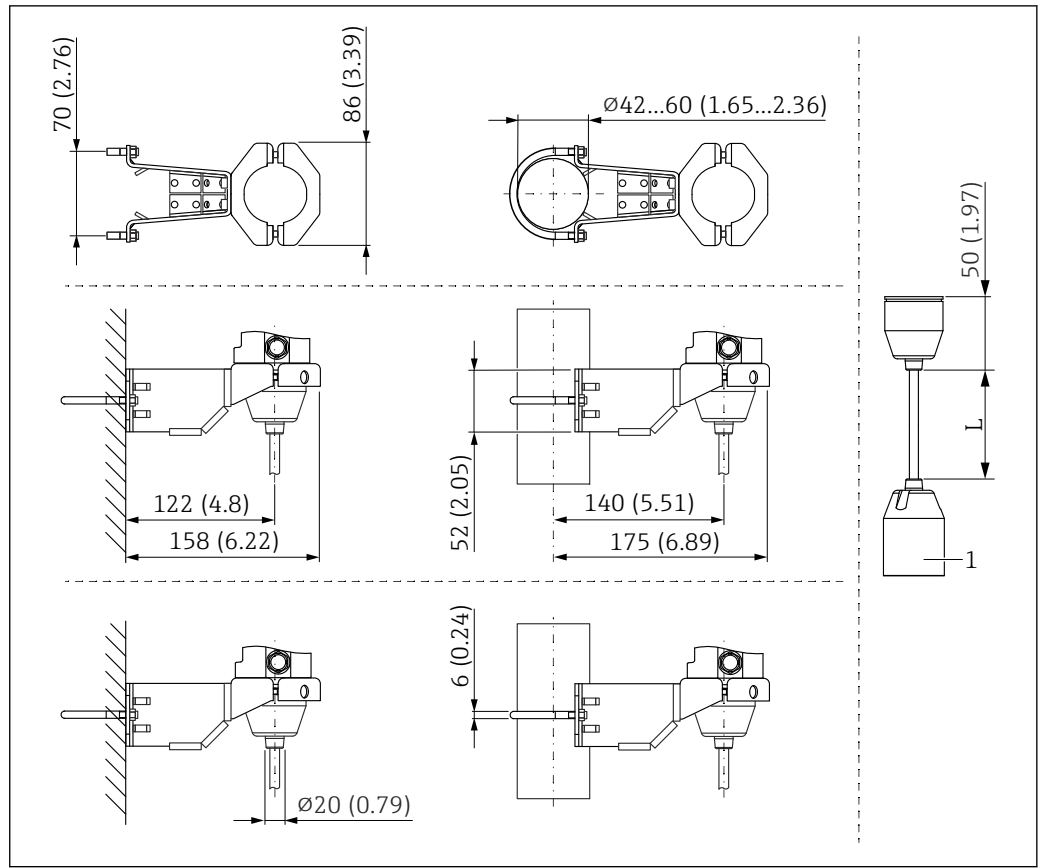


Cover optionally with ANSI Safety Red (color RAL3002) coating.



The device display fits into both parts of the dual compartment L-form housing (top and side).

Sensor, remote (separate housing)



A0038214

Unit of measurement mm (in)

1 81 mm (3.19 in)

L Length of cable versions

Process connections for devices with temperature isolators

Selecting the process connection and capillary line

The device can be fitted with different process connections on the high-pressure side (HP) and on the low-pressure side (LP).

The device can also be fitted with capillary lines on the low-pressure side (LP).

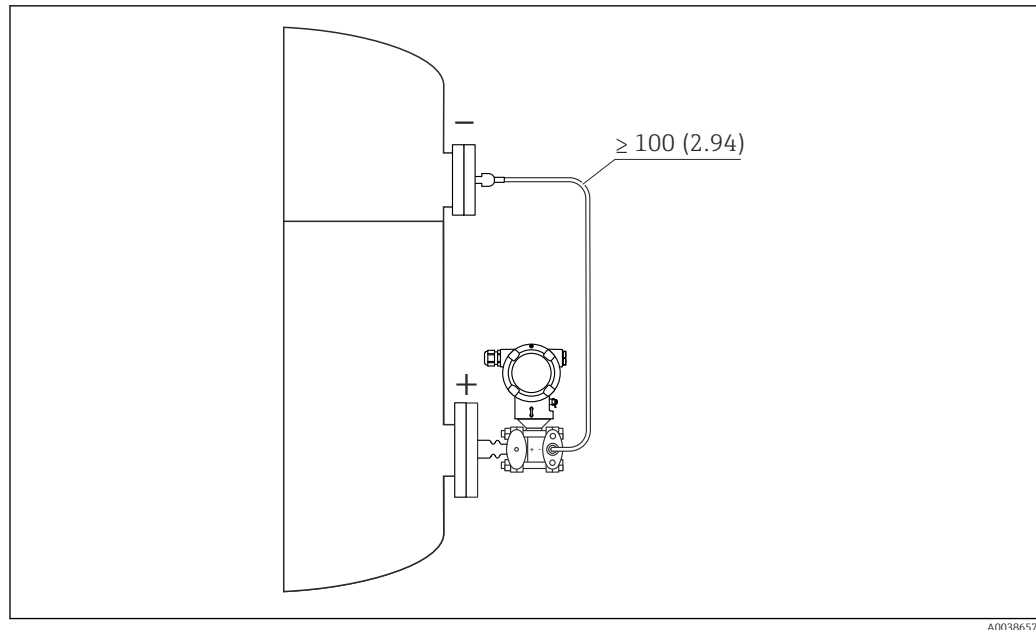
When using diaphragm seal systems with a capillary, sufficient strain relief must be provided to prevent the capillary from bending (capillary bending radius ≥ 100 mm (3.94 in)).

Example:

- Process connection on high-pressure side = DN80 flange
- Process connection on low-pressure side = DN50 flange

Your benefits:

- Thanks to the variety of order options, the devices can be optimally adapted to the given installation situation
- Reduced costs due to optimum system design
- Easier installation due to adjusted length of capillary line
- Easier adaptation to existing installation situations

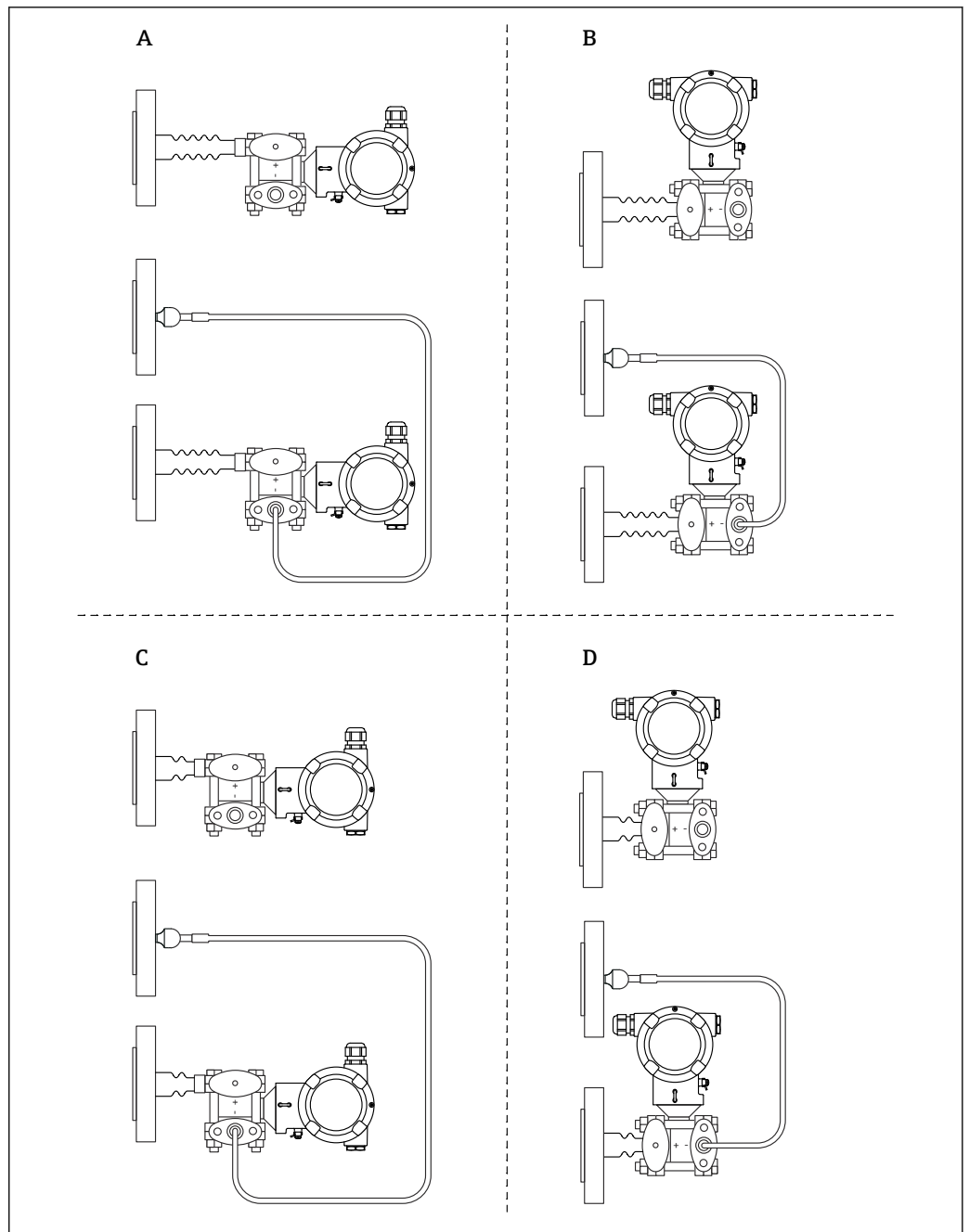


A0038657

Unit of measurement mm (in)

i If different process connections and capillary lines are used, it is essential to size and order the device using the free ["Sizing Diaphragm Seal"](#) selection tool.

Overview: Diaphragm seal on one side or both sides with temperature isolator

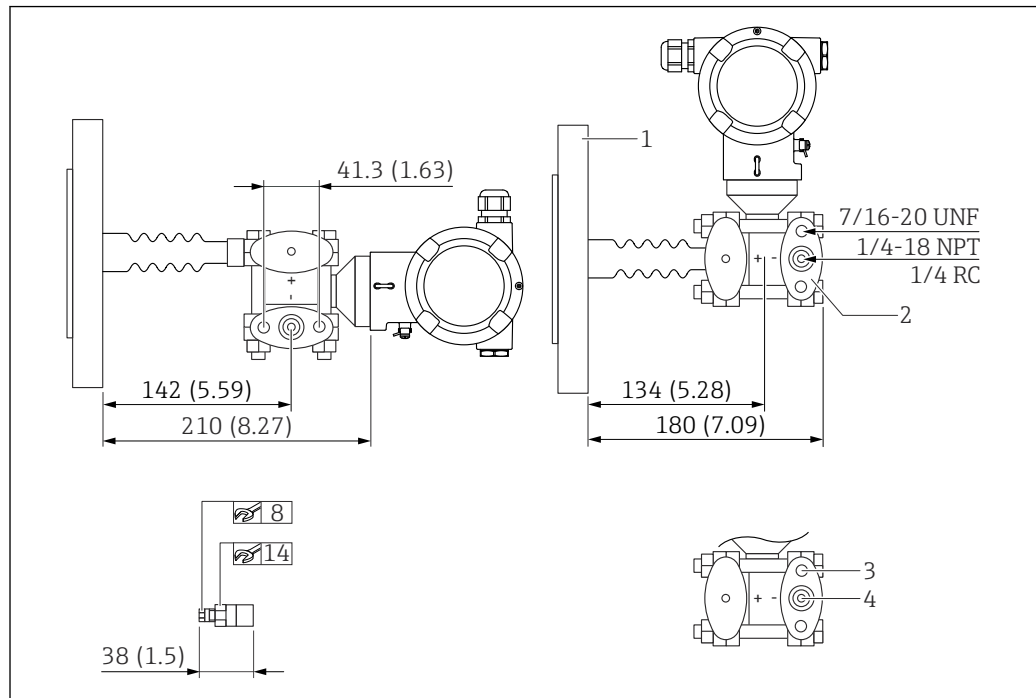


A0038658

- A Transmitter horizontal, temperature isolator long
- B Transmitter vertical, temperature isolator long
- C Transmitter horizontal, temperature isolator short
- D Transmitter vertical, temperature isolator short

Process connections with diaphragm seal on one side, high-pressure side

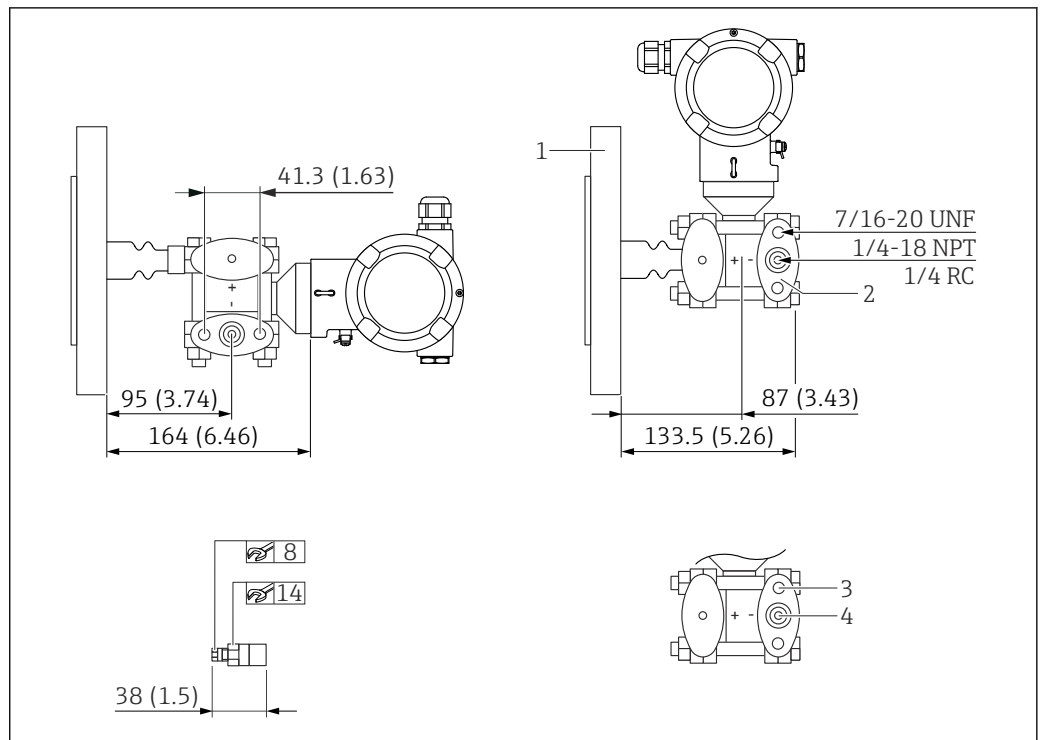
Device with long temperature isolator



Unit of measurement mm (in)

- 1 High-pressure side
- 2 Low-pressure side
- 3 Thread depth: 15 mm (0.59 in)
- 4 Thread depth: 12 mm (0.47 in) (± 1 mm (0.04 in))

Device with short temperature isolator



Unit of measurement mm (in)

- 1 High-pressure side
- 2 Low-pressure side
- 3 Thread depth: 15 mm (0.59 in)
- 4 Thread depth: 12 mm (0.47 in) (± 1 mm (0.04 in))

Process connections for devices with 2 capillaries

Selecting the process connection and capillary line

The device can be fitted with different process connections on the high-pressure side (HP) and on the low-pressure side (LP).

The device can additionally be fitted with different capillary lengths on the high-pressure side (HP) and on the low-pressure side (LP).

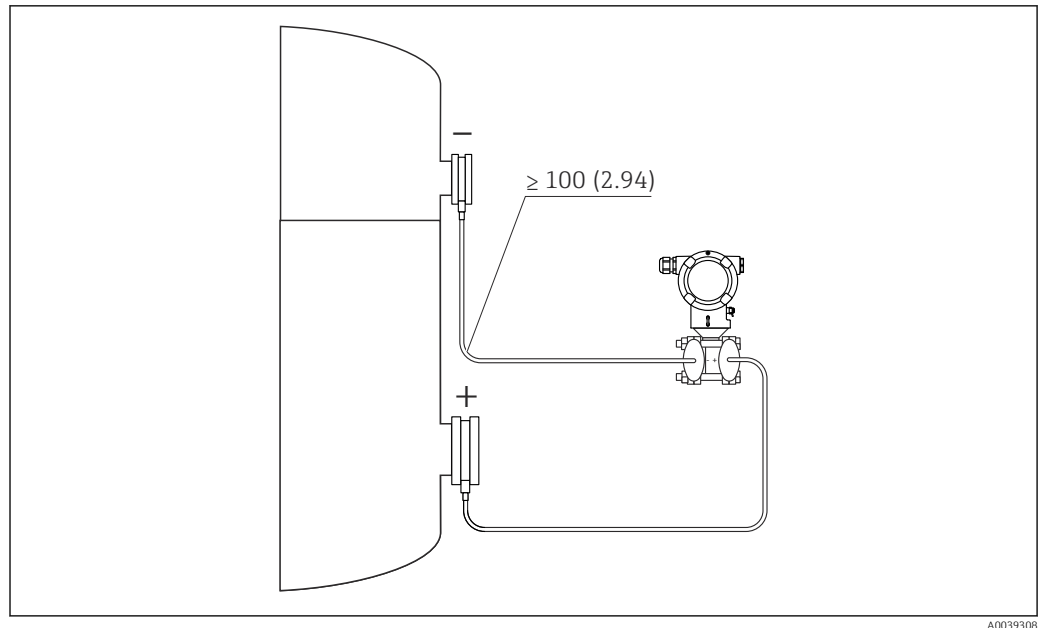
When using diaphragm seal systems with a capillary, sufficient strain relief must be provided to prevent the capillary from bending (capillary bending radius ≥ 100 mm (3.94 in)).

Example:

- Process connection on high-pressure side = DN80 flange
- Process connection on low-pressure side = DN50 flange
- Capillary length on high-pressure side = 2 m (6.6 ft)
- Capillary length on low-pressure side = 5 m (16 ft)

Advantages:

- Thanks to the variety of order options, the devices can be optimally adapted to the given installation situation
- Reduced costs due to optimum system design
- Easier installation due to adjusted length of capillary on low-pressure side and high-pressure side
- Easier adaptation to existing installation situations



Unit of measurement mm (in)

i If different process connections and capillary lines are used, it is essential that the device be designed/ordered using the "[Sizing Diaphragm Seal](#)" selection tool, which is available free of charge.

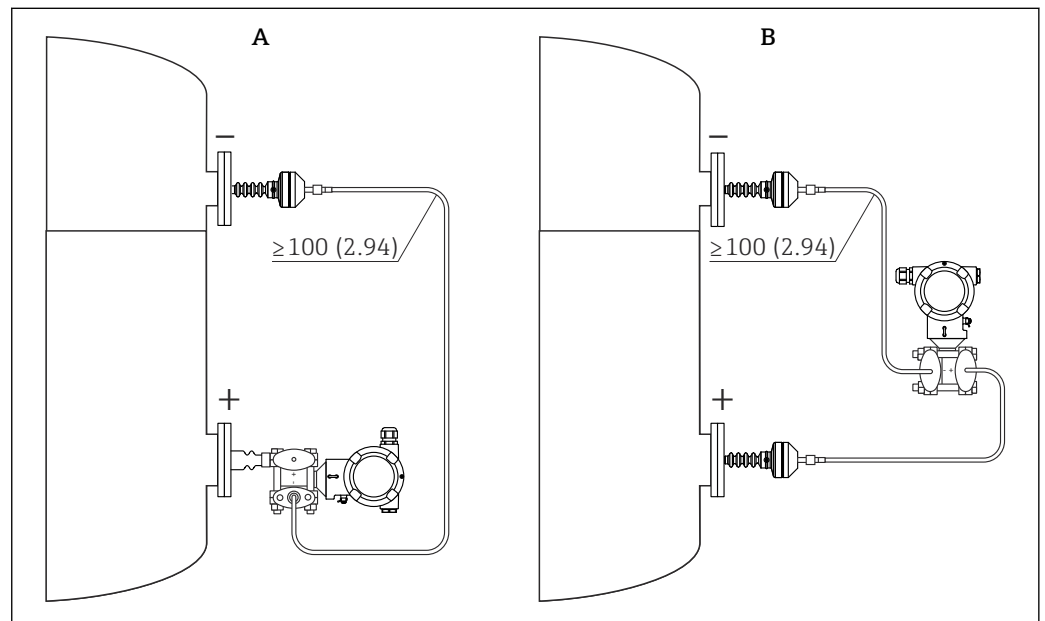
Thermal Range Expander

The "Thermal Range Expander" diaphragm seal can be used for extreme applications with high process temperatures and low ambient temperatures. The range of application is expanded by the use of two different fill fluids (fill fluid in the primary chamber for high process temperature and fill fluid in the secondary chamber for ambient temperature).

Advantages:

- Minimum reaction time
- Increase in plant safety
- No heated capillary system required
- Cost savings when installing
- Cost savings in operation

Ordering information: Product Configurator, order code for "Application package", option "Thermal Range Expander"



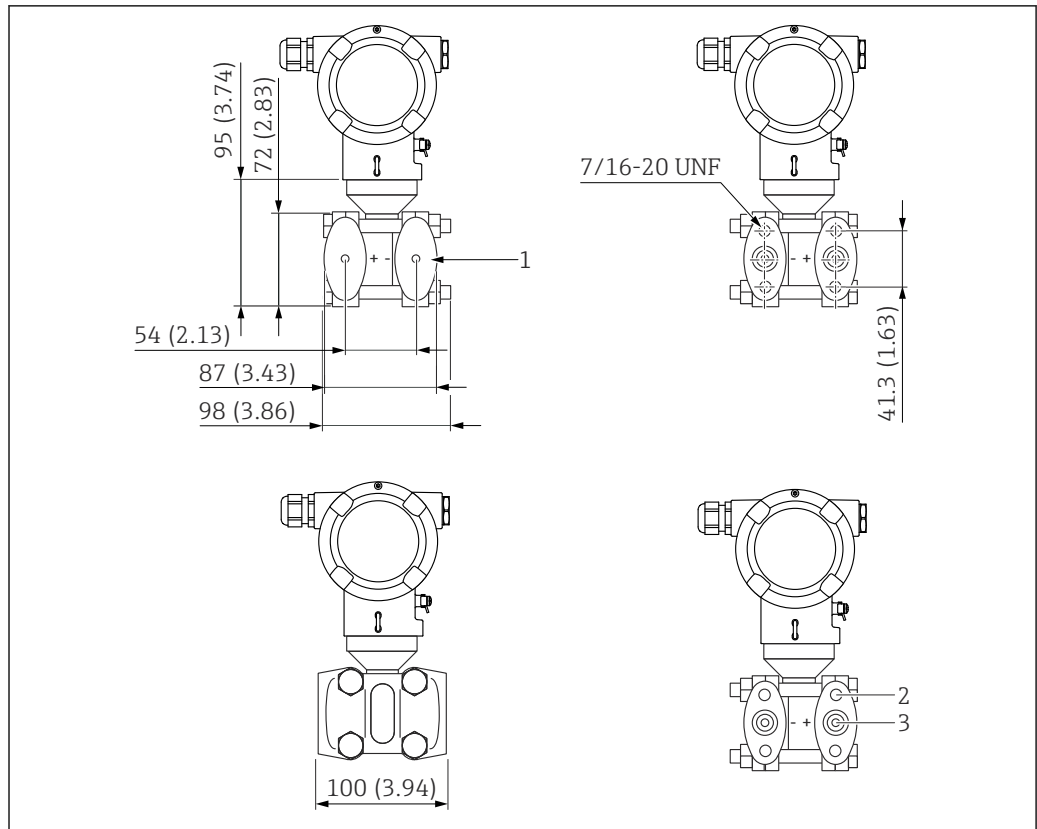
A0054827

Unit of measurement mm (in)

A Device with capillary on one side

B Device with capillary on both sides

Basic unit

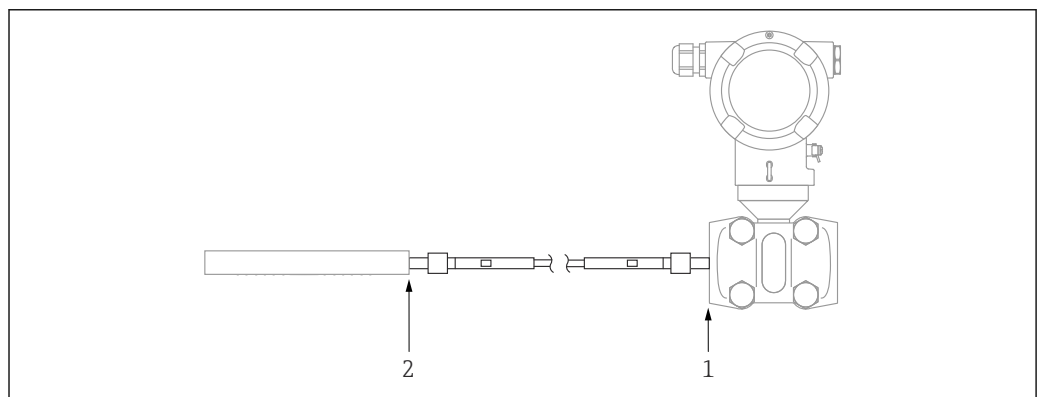


A0039309

5 Front view, left-hand side view, right-hand side view. Nuts are always located on the minus side. Unit of measurement mm (in)

- 1 Diaphragm seal mount
- 2 Thread depth: 15 mm (0.59 in)
- 3 Thread depth: 12 mm (0.47 in)(±1 mm (0.04 in))

Capillary length;



A0052035

6 The capillary length is the distance between the oval flange and the rear side of the diaphragm seal. Unit of measurement mm (in)

- 1 Oval flange
- 2 Rear of the diaphragm seal

Process connections with diaphragm seal



- The following drawings are schematic diagrams
The dimensions of a diaphragm seal supplied may deviate from the dimensions given in this document
- For more information: contact the Endress+Hauser sales office

Process connections

OPL and MWP

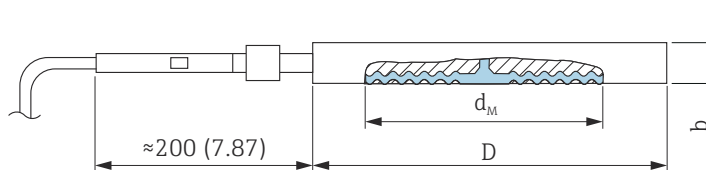
The maximum overpressure limit (OPL) and the maximum working pressure (MWP) of the sensor can deviate from the maximum OPL and MWP of the process connection.

For the maximum OPL and MWP, see the technical documentation of the process connection.

Explanation of terms

- DN or NPS or A = alphanumeric identifier of the flange size
- PN or Class or K = alphanumeric pressure rating of a component

Pancake seal with flush membrane



A0021635

D Diameter
 d_M Max. diameter of the membrane
 b Thickness

Engineering unit mm (in)

Material ¹⁾	DN	PN ²⁾	D mm	b mm	Weight kg (lb)
AISI 316L	DN 50	PN 16-400	102	20 - 22	1.3 (2.87)
	DN 80	PN 16-400	138	20 - 22	2.3 (5.07)
	DN 100	PN 16-400	162	20 - 22	3.1 (6.84)

1) Supplied with conventional membrane if a PTFE membrane coating is ordered.

2) The specified nominal pressure applies for the diaphragm seal. The maximum pressure for the device depends on the lowest-rated element, with regard to pressure, of the selected component.

Material	NPS	Class ¹⁾	D in	b in	Weight kg (lb)
AISI 316L	2	150-2500	3.62	0.79 - 0.87	1.3 (2.87)
	3	150-2500	5.00	0.79 - 0.87	2.3 (5.07)
	4	150-2500	6.22	0.79 - 0.87	3.1 (6.84)

1) The specified nominal pressure applies for the diaphragm seal. The maximum pressure for the device depends on the lowest-rated element, with regard to pressure, of the selected component.

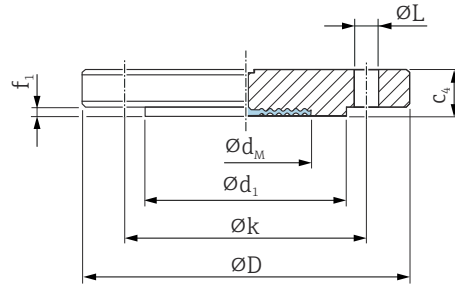
Maximum diameter of membrane $\varnothing d_M$

DN	PN	$\varnothing d_M$ (mm)					
		316L TempC	316L	Alloy C276	Tantalum	Monel (Alloy 400)	PTFE
50	16-400	61	-	62	60	59	52
80	16-400	89	-	90	92	89	80
100	16-400	-	89	90	92	89	-

NPS in	Class	$\varnothing d_M$ (in)					
		316L TempC	316L	Alloy C276	Tantalum	Monel (Alloy 400)	PTFE
2	150-2500	2.40	-	2.32	2.36	2.32	2.05
3	150-2500	3.50	-	3.54	3.62	3.50	3.14
4	150-2500	-	3.14	3.50	3.62	3.50	-

Flange EN1092-1, flush membrane, diaphragm seal

Connection dimensions according to EN1092-1.



A0045226

- ØD Diameter of flange
- c₄ Thickness
- Ød₁ Raised face
- f₁ Raised face
- Øk Pitch diameter
- ØL Diameter of hole
- Ød_M Max. diameter of membrane

Engineering unit mm

Flange ^{1) 2) 3) 4)}							Boltholes			Diaphragm seal
DN	PN	Form	ØD	c ₄	Ød ₁	f ₁	Number	ØL	Øk	Weight
			mm	mm	mm	mm		mm	mm	mm
DN 50	PN 10-40	B1	165	20	102	3	4	18	125	3.2 (7.06)
DN 50	PN 63	B2	180	26	102	3	4	22	135	4.52 (9.97)
DN 50	PN 100-160	B2	195	30	102	3	4	26	145	6.07 (13.38)
DN 80	PN 10-40	B1	200	24	138	3	8	18	160	5.54 (12.22)
DN 80	PN 100	B2	230	32	138	3	8	26	180	8.85 (19.51)
DN 100	PN 10-16	B1	220	20	158	3	8	18	180	5.65 (12.46)
DN 100	PN 25-40	B1	235	24	162	3	8	22	190	7.6 (16.76)
DN 100	PN 100	B2	265	36	162	3	8	30	210	13.3 (29.33)

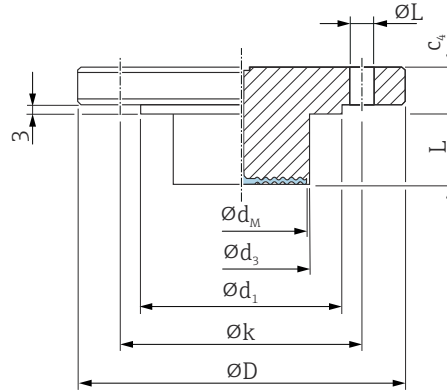
- 1) Material: AISI 316L
- 2) The roughness of the surface in contact with the medium including the raised face of the flanges (all standards) made of Alloy C276, Monel, tantalum, gold > 316L or PTFE is R_a < 0.8 µm (31.5 µin). Lower surface roughness on request.
- 3) The flange raised face is made from the same material as the membrane.
- 4) Supplied with conventional membrane if a PTFE membrane coating is ordered.

Maximum diameter of membrane $\varnothing d_M$

DN	PN	$\varnothing d_M$ (mm)					
		316L TempC	316L	Alloy C276	Tantalum	Monel (Alloy 400)	PTFE
DN 50	PN 10-40	61	-	57	60	59	52
DN 50	PN 63	-	52	62	60	59	-
DN 50	PN 100-160	-	52	62	60	59	-
DN 80	PN 10-40	89	-	89	92	89	80
DN 80	PN 100	-	80	90	92	90	-
DN 100	PN 10-16	-	80	90	92	89	-
DN 100	PN 25-40	-	80	90	92	89	-
DN 100	PN 100	-	80	90	92	89	-

Barrel, flange, EN1092-1, flush membrane, diaphragm seal

Connection dimensions in accordance with EN 1092-1.



A0045227

- ØD Diameter of flange
- c₄ Thickness
- Ød₁ Raised face
- Øk Pitch diameter
- ØL₂ Diameter of hole
- Ød_M Max. diameter of membrane
- Ød₃ Barrel diameter
- L Barrel length

Engineering unit mm

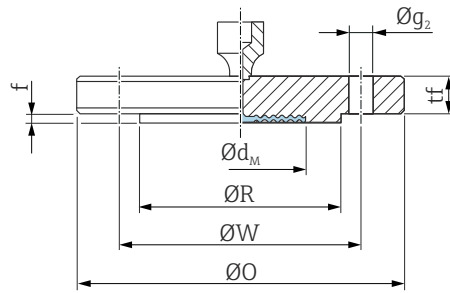
Flange ^{1) 2)}						Boltholes			Diaphragm seal
DN	PN	Form	ØD	c ₄	Ød ₁	Number	ØL	Øk	Ød _M ³⁾
			mm	mm	mm		mm	mm	mm
DN 50	PN 10-40	B1	165	20	102	4	18	125	48
DN 80	PN 10-40	B1	200	24	138	8	18	160	73

- 1) Material: AISI 316L
- 2) In the case of membranes made of Alloy C276, the flange raised face and the barrel are made of 316L
- 3) Maximum membrane diameter

Casing				
DN	PN	L	Ød ₃	Weight
		mm		kg (lb)
DN 50	PN 10-40	50 / 100 / 150 / 200	48.3	3.44 (7.59) / 3.8 (8.4) / 4.1 (9.04) / 4.4 (9.7)
DN 80	PN 10-40	50 / 100 / 150 / 200	76	6.2 (13.7) / 6.7 (14.8) / 7.27 (16.03) / 7.8 (17.2)

Flange ASME B16.5, flush membrane, diaphragm seal

Connection dimensions in accordance with ASME B 16.5, raised face RF



A0045230

$\varnothing O$ Diameter of flange
 t_f Thickness
 $\varnothing R$ Raised face
 f Raised face
 $\varnothing W$ Pitch diameter
 $\varnothing g_2$ Diameter of hole
 $\varnothing d_M$ Max. membrane diameter

Engineering unit in

Flange ^{1) 2) 3)}						Boltholes			Diaphragm seal
NPS	Class	$\varnothing O$	t_f	$\varnothing R$	f	Quantity	$\varnothing g_2$	$\varnothing W$	Weight
in		in	in	in	in		in	in	kg (lb)
2	150	6	0.69	3.62	0.06	4	3/4	4.75	2.5 (5.51)
2	300	6.5	0.81	3.62	0.06	8	3/4	5	3.4 (7.5)
2	400/600	6.5	1	3.62	0.25	8	3/4	5	4.3 (9.48)
2	900/1500	8.5	1.5	3.62	0.25	8	1	6.5	10.3 (22.71)
2	2500	9.25	2	3.62	0.25	8	1 1/8	6.75	15.8 (34.84)
3	150	7.5	0.88	5	0.06	4	3/4	6	5.1 (11.25)
3	300	8.25	1.06	5	0.06	8	7/8	6.62	7.0 (15.44)
3	400/600	6.5	1.25	5	0.25	8	7/8	6.62	8.6 (18.96)
3	900	9.5	1.5	5	0.25	8	1	7.5	13.3 (29.33)
4	150	9	0.88	6.19	0.06	8	3/4	7.5	7.2 (15.88)
4	300	10	1.19	6.19	0.06	8	7/8	7.88	11.7 (25.8)

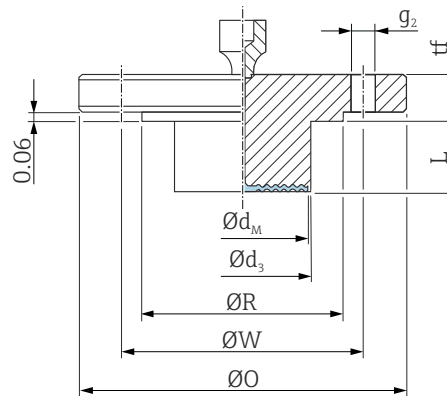
- 1) Material AISI 316/316L: Combination of AISI 316 for necessary pressure resistance and AISI 316L for necessary chemical resistance (dual rated)
- 2) The roughness of the surface in contact with the medium including the raised face of the flanges (all standards) made of Alloy C276, Monel, tantalum, gold or PTFE is $R_a < 0.8 \mu\text{m}$ (31.5 μin). Lower surface roughness on request.
- 3) The flange raised face is made from the same material as the membrane.

Maximum diameter of membrane $\varnothing d_M$

NPS	Class	$\varnothing d_M$ (in)				
		316L TempC	316L	Alloy C276	Tantalum	Monel (Alloy 400)
2	150	2.40	-	2.44	2.44	2.44
2	300	2.40	-	2.44	2.44	2.44
2	400/600	-	2.05	2.44	2.44	2.44
2	900/1500	-	2.05	2.44	2.44	2.44
2	2500	-	2.05	2.44	2.44	2.44
3	150	3.50	-	3.62	3.62	3.62
3	300	3.50	-	3.62	3.62	3.62
3	400/600	-	3.15	3.62	3.62	3.62
3	900	-	3.15	3.62	3.62	3.62
4	150	-	3.15	3.62	3.62	3.62
4	300	-	3.15	3.62	3.62	3.62

Barrel, flange ASME B16.5, flush membrane, diaphragm seal

Connection dimensions in accordance with ASME B 16.5, raised face RF



A0045232

- ØO Diameter of flange
- tf Thickness
- ØR Raised face
- ØW Pitch diameter
- Øg₂ Diameter of hole
- Ød_M Max. diameter of the membrane
- Ød₃ Barrel diameter
- L Barrel length

Engineering unit in

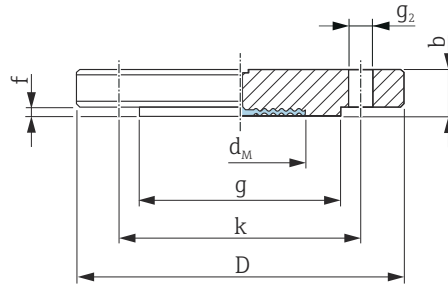
Flange ^{1) 2) 3)}					Boltholes			Diaphragm seal	
NPS	Class	ØO	tf	ØR	Quantity	Øg ₂	ØW	Ød _M ⁴⁾	
in		in	in	in		in	in	in	
2	150	6	0.69	3.62	4	3/4	4.75	1.9	
3	150	7.5	0.88	5	4	3/4	6	2.87	
4	150	9	0.88	6.19	8	3/4	7.5	3.5	

- 1) Material: AISI 316/316L. Combination of AISI 316 for required pressure resistance and AISI 316L for required chemical resistance (dual rated)
- 2) In the case of membranes made of Alloy C276, the flange raised face is made of 316L.
- 3) Supplied with a conventional membrane if a PTFE membrane coating is ordered.
- 4) Maximum membrane diameter

Barrel				
NPS	Class	L	d ₃	Weight
in		in (mm)	in (mm)	kg (lb)
2	150	2 (50.8) / 4 (101.6) / 6 (152.4) / 8 (203.2)	1.9 (48.3)	3.84 (8.47) / 4.16 (9.17) / 4.47 (9.86) / 4.77 (10.52)
3	150	2 (50.8) / 4 (101.6) / 6 (152.4) / 8 (203.2)	2.99 (76)	6.0 (13.2) / 6.6 (14.5) / 7.1 (15.7) / 7.8 (17.2)
4	150	2 (50.8) / 4 (101.6) / 6 (152.4) / 8 (203.2)	3.7 (94)	8.6 (19) / 9.9 (21.8) / 11.2 (24.7) / 12.4 (27.3)

Flange JIS, flush membrane, diaphragm seal

Connection dimensions in accordance with JIS B 2220 BL, raised face RF.



A0021680

- D Diameter of flange
- b Thickness
- g Raised face
- f Thickness of raised face
- k Pitch diameter
- g₂ Diameter of hole

Engineering unit mm

Flange ^{1) 2) 3)}						Boltholes			Diaphragm seal	
A ⁴⁾	K ⁵⁾	D	b	g	f	Number	g ₂	k	Weight	
		mm	mm	mm	mm		mm	mm	kg (lb)	
50 A	10 K	155	16	96	2	4	19	120	2.3 (5.07)	
80 A	10 K	185	18	127	2	8	19	150	3.3 (7.28)	
100 A	10 K	210	18	151	2	8	19	175	4.4 (9.7)	

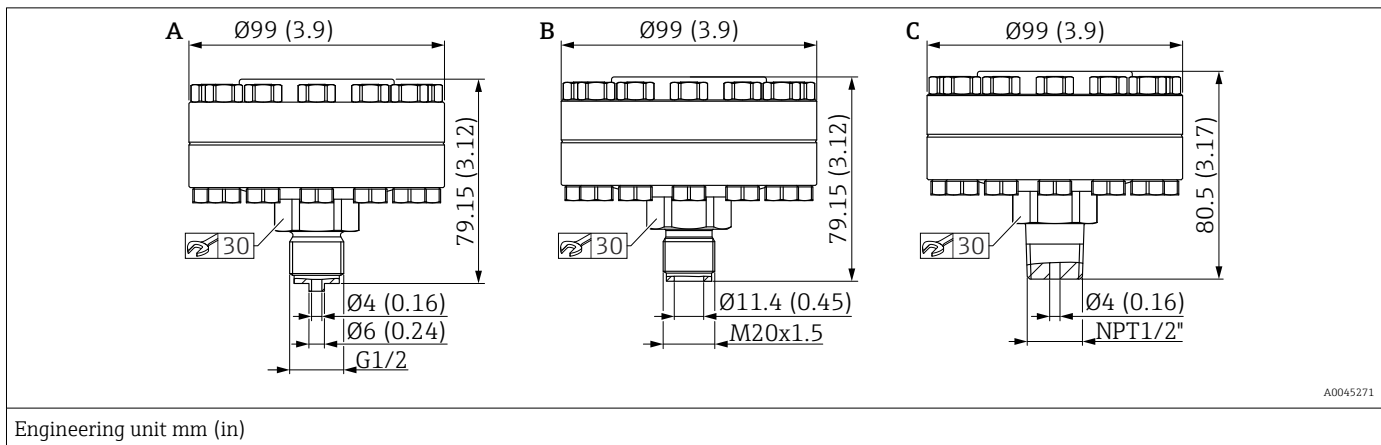
- 1) Material: AISI 316L
- 2) The roughness of the surface in contact with the medium, including the raised face of the flanges (all standards) made of Alloy C276, Monel, tantalum, gold or PTFE, is $R_a < 0.8 \mu\text{m}$ (31.5 μin). Lower surface roughness on request.
- 3) The flange raised face is made from the same material as the membrane.
- 4) Alphanumeric designation of the flange size.
- 5) Alphanumeric pressure rating of a component.

Maximum diameter of membrane $\varnothing d_M$

A ¹⁾	K ²⁾	$\varnothing d_M$ (mm)					
		316L TempC	316L	Alloy C276	Tantalum	Monel (Alloy 400)	PTFE
50 A	10 K	-	52	62	60	59	-
80 A	10 K	-	80	-	-	-	-
100 A	10 K	-	80	-	-	-	-

- 1) Alphanumeric designation of the flange size.
- 2) Alphanumeric pressure rating of a component.

Separator ISO228, ASME, DIN13, threaded, diaphragm seal, membrane material 316L, TempC



Item	Designation	Material	Measuring range bar (psi)	PN	Weight
					kg (lb)
A	Threaded, ISO228 G $\frac{1}{2}$ EN837 with metal seal (silver-plated) -60 to +400 °C (-76 to +752 °F)	AISI 316L, Screws made of A4	≤ 100 (1450)	PN 100	2.35 kg (5.18 lb)
B	Threaded, DIN13 M20x1.5 with metal seal (silver-plated) -60 to +400 °C (-76 to +752 °F)				2.30 kg (5.07 lb)
C	Threaded, ASME MNPT $\frac{1}{2}$ with metal seal (silver-plated) -60 to +400 °C (-76 to +752 °F)				2.35 kg (5.18 lb)

Weight**Housing**

Weight including electronics and display.

- Dual compartment housing
 - Aluminum: 1.4 kg (3.09 lb)
 - Stainless steel: 3.3 kg (7.28 lb)
- Dual compartment housing, L-form: 1.7 kg (3.75 lb)

Sensor, remote (separate housing)

- Housing: see the Housing section
- Housing adapter: 0.55 kg (1.21 lb)
- Process connection adapter: 0.36 kg (0.79 lb)
- Cable:
 - PE cable, 2 meters: 0.18 kg (0.40 lb)
 - PE cable, 5 meters: 0.35 kg (0.77 lb)
 - PE cable, 10 meters: 0.64 kg (1.41 lb)
 - FEP cable, 5 meters: 0.62 kg (1.37 lb)
- Mounting bracket: 0.46 kg (1.01 lb)

Basic weight of the measuring cell including side flanges and mounting material

3.3 kg (7.28 lb)

Temperature isolator

- Temperature isolator, short: 0.22 kg (0.49 lb)
- Temperature isolator, long: 0.40 kg (0.88 lb)

Capillary

- 316L (standard capillary armor):
0.16 kg/m (0.35 lb/m) + 0.2 kg (0.44 lb)
(Weight per capillary in m)
- PVC-coated capillary armor on 316 L:
0.21 kg/m (0.46 lb/m) + 0.2 kg (0.44 lb)
(Weight per capillary in m)
- PTFE-coated capillary armor on 316L:
0.29 kg/m (0.64 lb/m) + 0.2 kg (0.44 lb)
(Weight per capillary in m)

Process connections

Weight, see the specific process connection.

Ex d version: 0.63 kg (1.39 lb)

Accessories

Mounting bracket: 0.5 kg (1.10 lb)

Materials in contact with process**Membrane material**

- 316L (1.4435)
- 316L (1.4435), TempC
TempC membrane stands for "Temperature Compensatory Membrane"
This membrane reduces the process and environmental influences for diaphragm seals compared to conventional systems
- Alloy C276
The flange raised face is made from the same material as the membrane
In the case of devices with a barrel, the flange raised face is made of 316L
 - 316L in the case of EN 1092-1 flanges
 - F316/316L in the case of ASME flanges
- Tantalum
The flange raised face is made from the same material as the membrane
In the case of devices with a barrel, the flange raised face is made of 316L
 - 316L in the case of EN 1092-1 flanges
 - F316/316L in the case of ASME flanges
- Monel (Alloy 400)
The flange raised face is made from the same material as the membrane
In the case of devices with a barrel, the flange raised face is made of 316L
 - 316L in the case of EN 1092-1 flanges
 - F316/316L in the case of ASME flanges

Membrane coating

- PTFE, 0.25 mm (0.01 in)
PTFE is standard only with conventional membranes
- Gold, 25 µm
The gold-plated TempC membrane does not offer any corrosion protection!
Gold is standard only for TempC membranes

Seal

- PTFE
- FKM (FDA 21 CFR 177.2600)
- EPDM
- FFKM
- FFKM Chemraz

Process connections


See the specific process connection.

Accessories

For technical data (e.g. materials, dimensions or order numbers), see the accessory document SD01553P.


Materials not in contact with process**Dual compartment housing, aluminum, coated**

- Housing: aluminum EN AC 43400
- Housing coating, cover: polyester
- EN AC-43400 aluminum cover with Lexan 943A PC sight glass
EN AC-443400 aluminum cover with borosilicate sight glass; dust-Ex for Ex d/XP
- Dummy cover: aluminum EN AC 43400
- Cover sealing materials: HNBR
- Cover sealing materials: FVMQ (in low temperature version only)
- Potential equalization: 316L
- Seal under potential equalization: EPDM
- Plug: PBT-GF30-FR or aluminum
- Plug sealing material: EPDM
- Nameplate: plastic foil
- TAG plate: plastic foil, stainless steel or provided by the customer

 The cable entry (material: Stainless steel, nickel-plated brass, plastic) can be ordered via the "Electrical connection" product structure.


Dual compartment housing; 316L

- Housing: stainless steel AISI 316L (1.4409)
Stainless steel (ASTM A351 : CF3M (cast equivalent to AISI 316L material)/DIN EN 10213 : 1.4409)
- Dummy cover: stainless steel AISI 316L (1.4409)
- Cover: stainless steel AISI 316L (1.4409) with borosilicate sight glass
- Cover sealing materials: HNBR
- Cover sealing materials: FVMQ (in low temperature version only)
- Potential equalization: 316L
- Seal under potential equalization: EPDM
- Plug: stainless steel
- Plug sealing material: EPDM
- Nameplate: stainless steel
- TAG plate: plastic foil, stainless steel or provided by the customer

 The cable entry (material: Stainless steel, nickel-plated brass, plastic) can be ordered via the "Electrical connection" product structure.

Dual compartment housing, L-shaped, aluminum, coated

- Housing: aluminum EN AC 43400
- Housing coating, cover: polyester
- EN AC-43400 aluminum cover with Lexan 943A PC sight glass
EN AC-443400 aluminum cover with borosilicate sight glass; dust-Ex for Ex d/XP
- Dummy cover: aluminum EN AC 43400
- Cover sealing materials: HNBR
- Cover sealing materials: FVMQ (in low temperature version only)
- Potential equalization: 316L
- Seal under potential equalization: EPDM
- Plug: PBT-GF30-FR or aluminum
- Plug sealing material: EPDM
- Nameplate: plastic foil
- TAG plate: plastic foil, stainless steel or provided by the customer

 The cable entry (material: Stainless steel, nickel-plated brass, plastic) can be ordered via the "Electrical connection" product structure.

Electrical connection**Coupling M20, plastic**

- Material: PA
- Seal on cable gland: EPDM
- Dummy plug: plastic

Coupling M20, nickel-plated brass

- Material: nickel-plated brass
- Seal on cable gland: EPDM
- Dummy plug: plastic

Coupling M20, 316L

- Material: 316L
- Seal on cable gland: EPDM
- Dummy plug: plastic

M20 coupling, 316 L, hygiene

- Material: 316L
- Seal on cable gland: EPDM

M20 thread

The device is supplied with M20 thread as standard.

Transport plug: LD-PE

Thread G ½

The device is supplied with an M20 thread as standard and an adapter to G½ including documentation is included.

- Adapter made of PA66-GF or aluminum or 316L (depends on housing version ordered)
- Transport plug: LD-PE

NPT ½ thread

The device is supplied with an NPT½ thread as standard (aluminum housing, 316L housing) or with an M20 thread and an adapter to NPT½ including documentation (plastic housing, hygienic housing).

- Adapter made of PA66-GF or 316L (depends on housing version ordered)
- Transport plug: LD-PE

Thread NPT ¾

The device is supplied with thread NPT ¾ as standard

Transport plug: LD-PE

M20 coupling, blue plastic

- Material: PA, blue
- Seal on cable gland: EPDM
- Dummy plug: plastic

M12 plug

- Material: nickel-plated CuZn or 316L (depends on housing version ordered)
- Transport cap: LD-PE

HAN7D plug

Material: aluminum, die-cast zinc, steel

Valve plug ISO44000 M16

- Material: PA6
- Transport plug: LD-PE

Separate housing

- Mounting bracket
 - Bracket: AISI 316L (1.4404)
 - Screw and nuts: A4-70
 - Half-shells: AISI 316L (1.4404)
- Seal for cable from separate housing: EPDM
- Gland for cable of separate housing: AISI 316L (1.4404)
- PE cable for separate housing: abrasion-proof cable with strain-relief Dynema members; shielded using aluminum-coated foil; insulated with polyethylene (PE-LD), black; copper wires, twisted, UV-resistant
- FEP cable for separate housing: abrasion-proof cable; shielded using galvanized steel wire netting; insulated with fluorinated ethylene propylene (FEP), black; copper cores, twisted, UV-resistant
- Process connection adapter for separate housing: AISI 316L (1.4404)

Fill fluid

- Silicone oil, FDA 21 CFR 175.105
- Vegetable oil, FDA 21 CFR 172.856
- High-temperature oil
- Low-temperature oil
- Inert oil (not suitable for temperatures below -20 °C (-4 °F))

Connecting parts

- Connection between housing and process connection: AISI 316L (1.4404)
- Screws and nuts
 - PN 160: hex.-headed bolt DIN 931-M12x90-A4-70
 - PN 160: hex.-headed nut DIN 934-M12-A4-70
- Measuring cell body: AISI 316L (1.4404)
- Temperature isolator: AISI 316L (1.4404)
- Side flanges: AISI 316/316L (1.4408) / CF3M (cast equivalent to material AISI 316L)
- Heat shrink tube (only available for PVC-coated capillary armor or PTFE capillary armor): polyolefin

Armor for capillary*AISI 316L*

- Capillary: AISI 316 Ti (1.4571)
- Protective hose for capillary: AISI 316L (1.4404)

PVC-coated

- Capillary: AISI 316 Ti (1.4571)
- Protective hose for capillary: AISI 316L (1.4404)
- Coating: PVC
- Heat shrink tube at capillary junction: polyolefin

PTFE-armored

- Capillary: AISI 316 Ti (1.4571)
- Protective hose for capillary: AISI 316L (1.4404)
- Armor: PTFE
- Single-ear clamp: 1.4301

Accessories

For technical data (e.g. materials, dimensions or order numbers), see the accessory document SD01553P.

Display and user interface

Operating concept

Operator-oriented menu structure for user-specific tasks

- User navigation
- Diagnostics
- Application
- System

Fast and safe commissioning

- Interactive wizard with graphical user interface for guided commissioning in FieldCare, DeviceCare or DTM, AMS and PDM-based third-party tools or SmartBlue
- Menu guidance with short explanations of the individual parameter functions
- Standardized operation at the device and in the operating tools
- PROFINET with Ethernet-APL: access to the device via Web server

Integrated HistoROM data memory

- Adoption of data configuration when electronics modules are replaced
- Up to 100 event messages recorded in the device

Efficient diagnostic behavior increases measurement availability

- Remedial measures are integrated in plain text
- Diverse simulation options

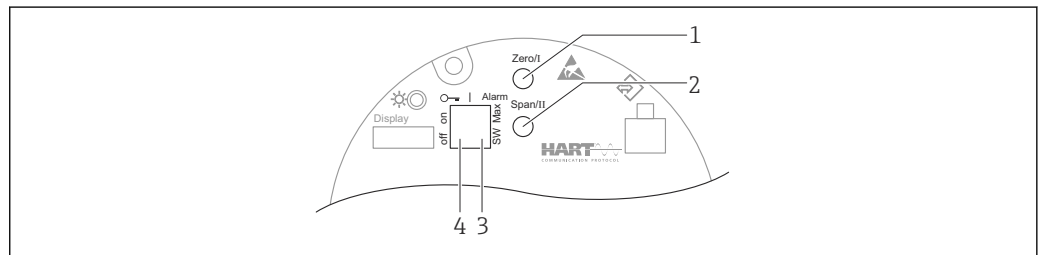
Bluetooth module (optionally integrated in local display)

- Quick and easy setup with SmartBlue app or PC with DeviceCare, version 1.07.00 and higher, or FieldXpert SMT70
- No additional tools or adapters required
- Encrypted single point-to-point data transmission (tested by Fraunhofer Institute) and password-protected communication via *Bluetooth*® wireless technology

Local operation

Operating keys and DIP switches on the electronic insert

HART

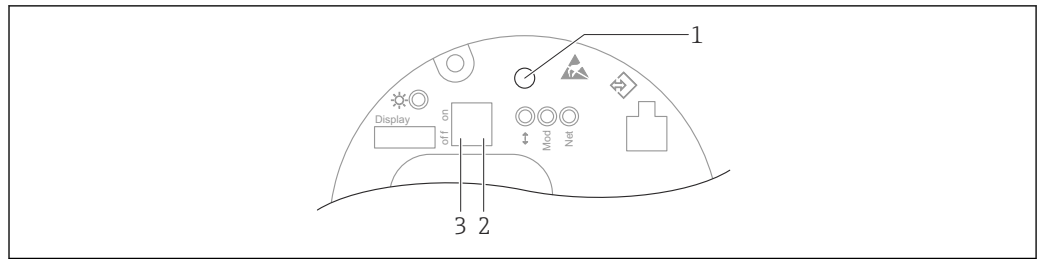


A0039285

- 1 Operating key for lower range value (Zero)
- 2 Operating key for upper range value (Span)
- 3 DIP switch for alarm current
- 4 DIP switch for locking and unlocking the device

 The setting of the DIP switches has priority over the settings made via other operation methods (e.g. FieldCare/DeviceCare).

PROFINET with Ethernet-APL



A0046061

- 1 Operating key for position adjustment (zero point correction) and device reset
- 2 DIP switch for setting the service IP address
- 3 DIP switch for locking and unlocking the device

i The setting of the DIP switches has priority over the settings made via other operation methods (e.g. FieldCare/DeviceCare).

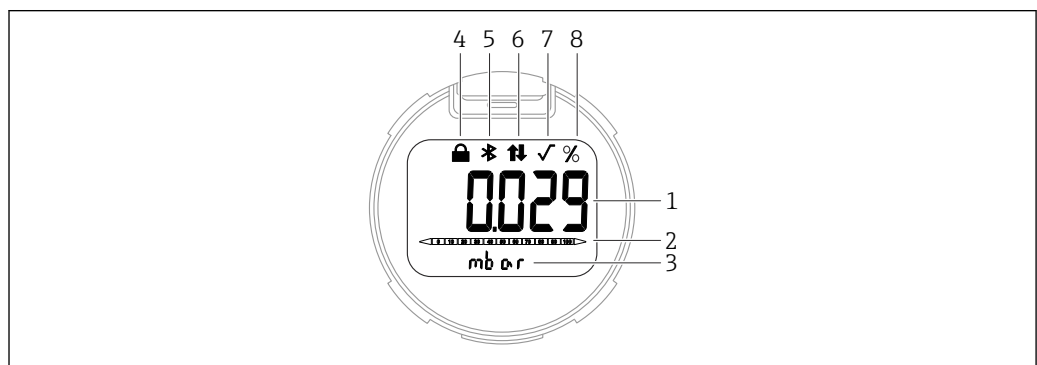
Local display

Device display (optional)

Functions:

- Display of measured values and fault and notice messages
- Background lighting, which switches from green to red in the event of an error
- The device display can be removed for easier operation
- In the dual compartment, L-form housing, the device display fits into both housing parts (top and side).

i The device displays are available with the additional option of Bluetooth® wireless technology.

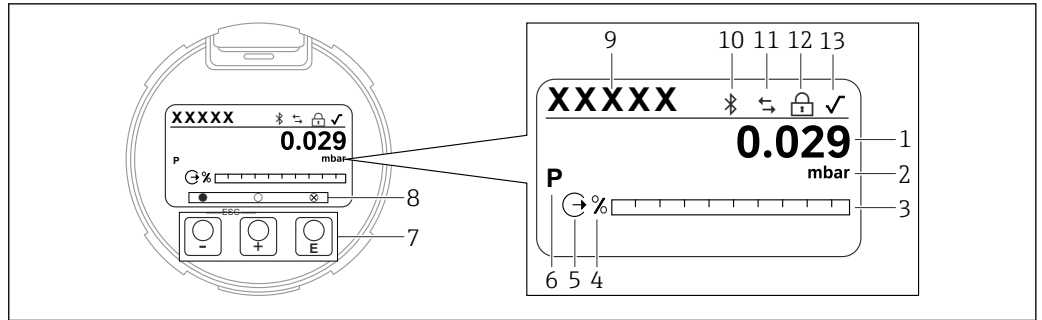


A0047143

7 Segment display

- 1 Measured value (up to 5 digits)
- 2 Bar graph proportional to the current output (not for PROFINET with Ethernet-APL)
- 3 Unit of measured value
- 4 Locked (symbol appears when the device is locked)
- 5 Bluetooth (symbol flashes if Bluetooth connection is active)
- 6 HART communication (symbol is displayed if HART communication is active), or communication via PROFINET is active
- 7 Square root extraction (appears if a square root extraction of the measured value is output) Has no function in the case of PROFINET with Ethernet-APL
- 8 Measured value output in %

The following graphics are examples. The display depends on the display settings.



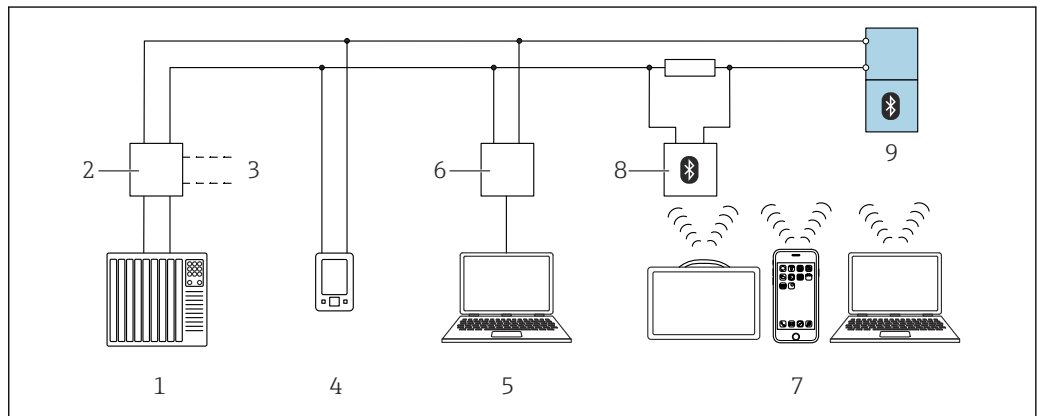
A0047141

8 Graphic display with optical operating keys.

- 1 Measured value (up to 12 digits)
- 2 Unit of measured value
- 3 Bar graph proportional to the current output (not for PROFINET with Ethernet-APL)
- 4 Bar graph unit
- 5 Symbol for current output
- 6 Symbol for displayed measured value (e.g. p = pressure)
- 7 Optical operating keys
- 8 Symbols for key feedback. Different display symbols are possible: circle (not filled in) = key pressed briefly; circle (filled in) = key pressed for longer; circle (with X) = no operation possible due to Bluetooth connection
- 9 Device Tag
- 10 Bluetooth (symbol flashes if Bluetooth connection is active)
- 11 HART communication (symbol is displayed if HART communication is active), or communication via PROFINET is active
- 12 Locked (symbol appears when the device is locked)
- 13 Symbol for square root extraction

Remote operation

Via HART protocol or Bluetooth

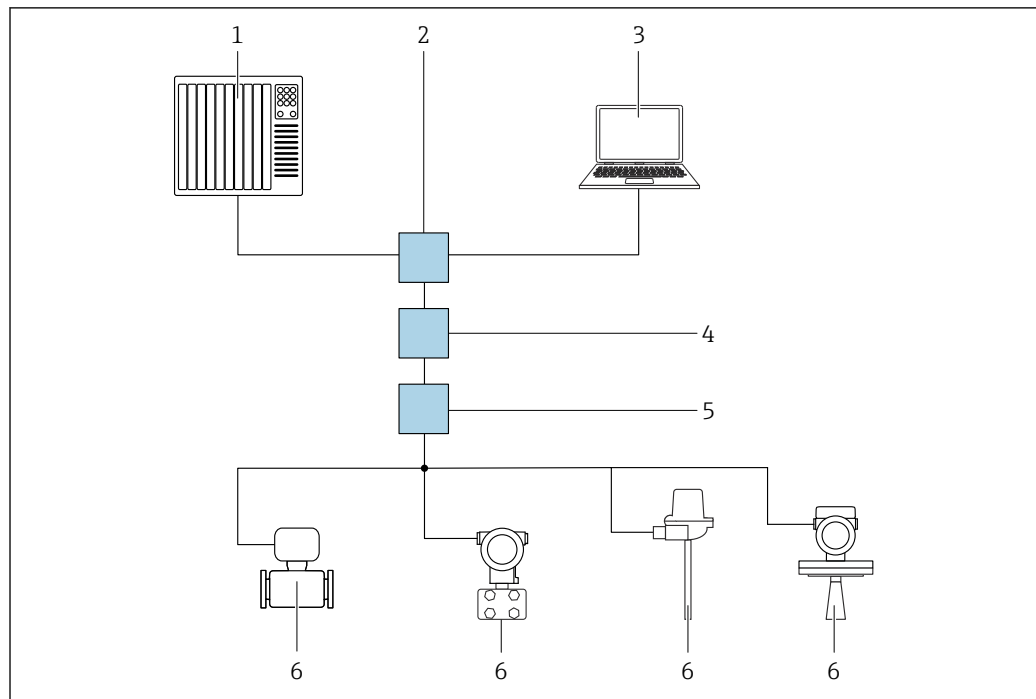


A0044334

9 Options for remote operation via HART protocol

- 1 PLC (programmable logic controller)
- 2 Transmitter power supply unit, e.g. RN221N (with communication resistor)
- 3 Connection for Commubox FXA195 and AMS Trex™ device communicator
- 4 AMS Trex™ device communicator
- 5 Computer with operating tool (e.g. DeviceCare/FieldCare, AMS Device View, SIMATIC PDM)
- 6 Commubox FXA195 (USB)
- 7 Field Xpert SMT70/SMT77, smartphone or computer with operating tool (e.g. DeviceCare/FieldCare, AMS Device View, SIMATIC PDM)
- 8 Bluetooth modem with connecting cable (e.g. VIATOR)
- 9 Transmitter

Via PROFINET with Ethernet-APL network




10 Options for remote operation via PROFINET with Ethernet-APL network: star topology

- 1 Automation system, e.g. Simatic S7 (Siemens)
- 2 Ethernet switch
- 3 Computer with Web browser (e.g., Microsoft Edge) for accessing the integrated device Web server or computer with operating tool (e.g., FieldCare, DeviceCare, SIMATIC PDM) with iDTM Profinet Communication
- 4 APL power switch (optional)
- 5 APL field switch
- 6 APL field device

Call up the website via the computer in the network. The IP address of the device must be known.

The IP address can be assigned to the device in a variety of ways:

- Dynamic Configuration Protocol (DCP), factory setting
 - The automation system (e.g. Siemens S7) automatically assigns the IP address to the device
- Software addressing
 - The IP address is entered via the IP address parameter
- DIP switch for service
 - The device then has the fixed IP address 192.168.1.212
 -  The IP address is only adopted following a restart.
 - The IP address can now be used to establish the connection to the network

The default setting is that the device uses the Dynamic Configuration Protocol (DCP). The automation system (e.g. Siemens S7) automatically assigns the IP of the device.

Via Web browser (for devices with PROFINET)

Function scope

Thanks to the integrated Web server the device can be operated and configured via a Web browser. The structure of the operating menu is the same as for the local display. In addition to the measured values, device status information is also displayed and allows users to monitor the status of the device. Furthermore the device data can be managed and the network parameters can be configured.

Via service interface (CDI)


With the Commubox FXA291, a CDI connection is established with the device interface and a Windows PC/notebook with a USB port.

Operation via Bluetooth® wireless technology (optional)

Requirement

- Device with Bluetooth display
- Smartphone or tablet with Endress+Hauser SmartBlue app or PC with DeviceCare from version 1.07.00 or FieldXpert SMT70

The connection has a range of up to 25 m (82 ft). The range can vary depending on environmental conditions such as attachments, walls or ceilings.

 The operating keys on the display are locked as soon as the device is connected via Bluetooth.

System integration

HART

Version 7

PROFINET with Ethernet-APL

PROFINET Profile 4.02

Supported operating tools

Smartphone or tablet with Endress+Hauser SmartBlue (app), DeviceCare, version 1.07.00 and higher, FieldCare, DTM, AMS and PDM.

PC with Web server via fieldbus protocol.

HistoROM


When replacing the electronic insert, the stored data is transferred by reconnecting the HistoROM. The device does not work without HistoROM.

The device serial number is saved in the HistoROM. The electronics serial number is saved in the electronics.

Certificates and approvals

Current certificates and approvals for the product are available at www.endress.com on the relevant product page:

1. Select the product using the filters and search field.
2. Open the product page.
3. Select **Downloads**.

CE mark	The device meets the legal requirements of the relevant EC directives. Endress+Hauser confirms that the device has been successfully tested by applying the CE mark.
RCM-Tick marking	<p>The supplied product or measuring system meets the ACMA (Australian Communications and Media Authority) requirements for network integrity, interoperability, performance characteristics as well as health and safety regulations. Here, especially the regulatory arrangements for electromagnetic compatibility are met. The products bear the RCM-Tick marking on the nameplate.</p> <div style="text-align: center; border: 1px solid black; width: 100px; height: 100px; margin: 10px auto;">  </div> <p style="text-align: right; font-size: small;">A0029561</p>
Ex approvals	<ul style="list-style-type: none"> ■ ATEX ■ CSA ■ NEPSI ■ UKCA ■ INMETRO ■ KC ■ EAC ■ JPN ■ Combinations of different approvals also <p>All the data related to explosion protection is provided in separate Ex documentation which is also available upon request. The Ex documentation is supplied as standard with all devices approved for use in explosion hazardous areas.</p> <p>Additional approvals in preparation.</p> <p>Explosion-protected smartphones and tablets</p> <p>If used in hazardous areas, mobile end devices with an Ex approval must be used.</p>
Corrosion test	<p>Standards and test methods:</p> <ul style="list-style-type: none"> ■ 316L: ASTM A262 Practice E and ISO 3651-2 Method A ■ Alloy C22 and Alloy C276: ASTM G28 Practice A and ISO 3651-2 Method C ■ 22Cr duplex, 25Cr duplex: ASTM G48 Practice A or ISO 17781 and ISO 3651-2 Method C <p>The corrosion test is confirmed for all wetted and pressure-bearing parts.</p> <p>A 3.1 material certificate must be ordered as confirmation of the test.</p>
EAC conformity	<p>The device meets the legal requirements of the applicable EAC Directives. These are listed in the corresponding EAC Declaration of Conformity along with the standards applied.</p> <p>Endress+Hauser confirms successful testing of the device by affixing to it the EAC mark.</p>
Overfill protection (in preparation)	The device is tested in accordance with the approval guidelines for overfill protection units (ZG-ÜS:2012-07) as overfill protection as per Section 63 of the German Water Resources Act (WHG).
Functional safety SIL/ IEC 61508 Declaration of Conformity (optional)	The devices with a 4-20 mA output signal have been developed according to the IEC 61508 standard. These devices can be used to monitor the process level and pressure up to SIL 3. For a detailed description of the safety functions, settings and functional safety data, see the "Functional Safety Manual".

Marine approval	<ul style="list-style-type: none"> ■ ABS (American Bureau of Shipping) ■ LR (Lloyd's Register) ■ BV (Bureau Veritas) ■ DNV GL (Det Norske Veritas / German Lloyd)
Radio approval	Displays with Bluetooth LE have radio licenses according to CE and FCC. The relevant certification information and labels are provided on display.
CRN approval	A CRN approval (Canadian Registration Number) is available for some device versions. These devices are fitted with a separate plate bearing the registration number CRN 0F24854.5C. In order to obtain a CRN-approved device, a CRN-approved process connection must be ordered along with the option "CRN" in the order code for "Additional approvals".
Test reports	<p>Test, certificate, declarations</p> <ul style="list-style-type: none"> ■ Inspection certificate 3.1, EN10204 (material certificate, wetted metallic parts) The selection of this feature for coated process membranes/process connections refers to the metallic base material ■ NACE MR0175 / ISO 15156 (wetted metallic parts), declaration ■ NACE MR0103 / ISO 17945 (wetted metallic parts), declaration ■ AD 2000 (wetted, metallic parts), declaration, excluding membrane ■ ASME B31.3 process piping, declaration ■ ASME B31.1 power piping, declaration ■ Ambient temperature of transmitter (-50 to +85 °C (-58 to +185 °F)); sensor see specification ■ Ambient temperature of transmitter (-54 to +85 °C (-65 to +185 °F)); sensor see specification ■ Pressure test, internal procedure, test report ■ Helium leak test, internal procedure, test report ■ PMI test, internal procedure (wetted metallic parts), test report ■ Welding documentation, wetted/pressurized seams, declaration <p>Test reports, declarations and inspection certificates are available in electronic format in the Device Viewer: enter the serial number from the nameplate (www.endress.com/deviceviewer).</p> <p>Applicable for the order codes "Calibration" and "Test, certificate".</p> <p>Product documentation on paper</p> <p>Test reports, declarations and inspection certificates in hard copy can optionally be ordered with the order option "Product documentation on paper". These documents are supplied with the ordered product.</p> <p>Calibration</p> <p>5-point calibration certificate</p> <p>10-point calibration certificate, traceable to ISO/IEC 17025</p> <p>Manufacturer declarations</p> <p>Various manufacturer declarations can be downloaded from the Endress+Hauser website. Other manufacturer declarations can be ordered via the Endress+Hauser sales office.</p> <p><i>Downloading the Declaration of Conformity</i></p> <p>www.endress.com → Download</p>
Pressure Equipment Directive 2014/68/EU (PED)	<p>Pressure equipment with allowable pressure ≤ 200 bar (2 900 psi)</p> <p>Pressure equipment (maximum working pressure PS ≤ 200 bar (2 900 psi)) can be classified as pressure accessories according to the Pressure Equipment Directive 2014/68/EU. If the maximum working pressure is ≤ 200 bar (2 900 psi) and the pressurized volume of the pressure equipment is ≤ 0.1 l, the pressure equipment is subject to the Pressure Equipment Directive (see Pressure Equipment Directive 2014/68/EU, Article 4, point 3). The Pressure Equipment Directive only requires that the pressure equipment shall be designed and manufactured in accordance with the "sound engineering practice of a Member State".</p>

Reasons:

- Pressure Equipment Directive (PED) 2014/68/EU Article 4, point 3
- Pressure equipment directive 2014/68/EU, Commission's Working Group "Pressure", Guideline A-05 + A-06

Note:

A partial examination shall be performed for pressure instruments that are part of a safety instrumented system for the protection of a pipe or vessel from exceeding allowable limits (safety accessory in accordance with Pressure Equipment Directive 2014/68/EU, Article 2, point 4).

Oxygen application	Verified cleaned, suitable for O ₂ service (wetted parts)
China RoHS symbol	The device is visibly identified according to SJ/T 11363-2006 (China-RoHS).
RoHS	The measuring system complies with the substance restrictions of the Restriction on Hazardous Substances Directive 2011/65/EU (RoHS 2).
Certification PROFINET with Ethernet-APL	<p>PROFINET with Ethernet-APL interface</p> <p>The device is certified and registered by the PNO (PROFIBUS Nutzerorganisation e.V. / PROFIBUS User Organization). The measuring system meets all the requirements of the following specifications:</p> <ul style="list-style-type: none"> ■ Certified according to: <ul style="list-style-type: none"> ■ Test specification for PROFINET devices ■ PROFINET Security Level – Netload Class ■ The device can also be operated with certified devices of other manufacturers (interoperability)
Additional certification	<p>Classification of process seal between electrical systems and (flammable or combustible) process liquids in accordance with UL 122701 (formerly ANSI/ISA 12.27.01)</p> <p>Endress+Hauser devices are designed according to UL 122701 (formerly ANSI/ISA 12.27.01) which means that users do not need and can save on external secondary process seals in the pipe as required in the process seal sections of ANSI/NFPA 70 (NEC) and CSA 22.1 (CEC). These devices comply with North American installation practice and allow very safe and cost-effective installation for pressurized applications with hazardous fluids. The devices are assigned "single seal" as follows:</p> <p>CSA C/US IS, XP, NI:</p> <p>160 bar (2 400 psi)</p> <p>Further information can be found in the control drawings of the relevant devices.</p> <p>Metrological approval</p> <p>If you select the "China" order option, the device is delivered with a Chinese nameplate according to the Chinese Quality Act.</p>

Ordering information

Ordering information

Detailed ordering information is available from the nearest sales organization www.addresses.endress.com or in the Product Configurator under www.endress.com:

1. Select the product using the filters and search field.
2. Open the product page.

The **Configuration** button opens the Product Configurator.



Product Configurator - the tool for individual product configuration

- Up-to-the-minute configuration data
- Depending on the device: direct input of information specific to the measuring point, such as the measuring range or operating language
- Automatic verification of exclusion criteria
- Automatic creation of the order code and its breakdown in PDF or Excel output format
- Ability to order directly in the Endress+Hauser Online Shop

Scope of delivery

The scope of delivery comprises:

- Device
- Optional accessories

Accompanying documentation:

- Brief Operating Instructions
- Final inspection report
- Additional Safety Instructions for devices with approvals (e.g. ATEX, IECEx, NEPSI, etc.)
- Optional: factory calibration form, test certificates



The Operating Instructions are available on the Internet at:

www.endress.com → Download

Service

The following services, among others, can be selected using the Product Configurator.

- Cleaned of oil+grease (wetted)
- Verified cleaned, suitable for O₂ applic. (wetted)
- PWIS-free (paint-wetting impairment substances)
(The plastic protective cover is excluded from the PWIS cleaning)
- ANSI Safety Red coating, coated housing cover
- Set HART burst mode PV
- Set max. alarm current
- Bluetooth communication is disabled on delivery
- Product documentation on paper

As an option, test reports, declarations and material test certificates can be ordered as a paper printout using the feature **Service**, format **Product documentation on paper**. The required documents can be selected under the feature **Test, certificate, declaration** and are then included with the device on delivery.

Measuring point (tag)

- Order code: marking
- Option: Z1, tagging (TAG), see additional specification
- Location of tag identifier: to be selected in the additional specifications
 - Tag plate, stainless steel
 - Self-adhesive paper label
 - Supplied plate
 - RFID TAG
 - RFID TAG + tag plate stainless steel
 - RFID TAG + self-adhesive paper label
 - RFID TAG + supplied label/plate
- Definition of tag name: to be defined in the additional specifications
3 lines, each containing up to maximum 18 characters
The specified tag name appears on the selected label and/or the RFID TAG
- Identification on electronic nameplate (ENP): 32 digits

**Test reports, declarations
and inspection certificates**

All test reports, declarations and inspection certificates are provided electronically in the *Device Viewer*:

Enter the serial number from the nameplate (www.endress.com/deviceviewer)

**Product documentation on paper**

Test reports, declarations and inspection certificates in hard copy can optionally be ordered with feature 570 "Service", Version I7 "Product documentation on paper". The documents are then provided with the device upon delivery.

Application packages

Heartbeat Technology

Availability

Available in all device versions.

Heartbeat Verification + Monitoring, optional.

Heartbeat Diagnostics

- Continuous self-monitoring of the device
- Diagnostic messages output to
 - the local display
 - an asset management system (e.g. FieldCare or DeviceCare)
 - an automation system (e.g. PLC)
 - Web server

Heartbeat Verification

- Monitoring of the installed device without interrupting the process, including a verification report
- Clear measuring point assessment (pass/fail) with high total test coverage as part of the manufacturer's specification
- Can be used to document normative requirements
- From firmware 01.01.xx: Meets the requirements for metrological traceability in accordance with ISO 9001 (ISO9001:2015 Section 7.1.5.2). The verification report can be generated via Bluetooth and HART *1).

Heartbeat Monitoring

- Statistical Sensor Diagnostics: statistical analysis and evaluation of the pressure signal, including signal noise, to detect process anomalies (e.g. blocked impulse lines)
- Loop Diagnostics: detection of elevated measuring circuit resistance values or declining power supply
- Process window: user-definable pressure and temperature limits to detect dynamic pressure surges or faulty trace heating systems or insulation
- Continuously supplies additional monitoring data to an external condition monitoring system for the purpose of predictive maintenance or process monitoring

Detailed description

See Special Documentation for SD Heartbeat Technology.

Accessories

Device-specific accessories

Mechanical accessories

- Mounting bracket for housing
- Flushing rings
- Weather protection covers



For technical data (e.g. materials, dimensions or order numbers), see the accessory document SD01553P.

Plug connectors

- Plug connector M12 90 deg, IP67 5m cable, union nut, Cu Sn/Ni
- Plug connector M12, IP67 union nut, Cu Sn/Ni
- Plug connector M12, 90 deg IP67 union nut, Cu Sn/Ni



The IP protection classes are only maintained if the dummy cap is used or the cable is connected.

Weld-in accessory



For details, refer to TI00426F/00/EN "Weld-in adapters, process adapters and flanges".

Device Viewer

All the spare parts for the device, along with the order code, are listed in the *Device Viewer* (www.endress.com/deviceviewer).

Documentation



For an overview of the scope of the associated Technical Documentation, refer to the following:

- *Device Viewer* (www.endress.com/deviceviewer): Enter the serial number from the nameplate
- *Endress+Hauser Operations app*: Enter serial number from nameplate or scan matrix code on nameplate.

Standard documentation

- **Technical Information: planning guide**
The document contains all the technical data on the device and provides an overview of the accessories and other products that can be ordered for the device
- **Brief Operating Instructions: takes you quickly to the 1st measured value**
The Brief Operating Instructions contain all the essential information from incoming acceptance to initial commissioning
- **Operating Instructions: reference manual**
The Operating Instructions contain all the information that is required in the various phases of the life cycle of the device: from product identification, incoming acceptance and storage, to mounting, connection, operation and commissioning through to troubleshooting, maintenance and disposal

Supplementary device-dependent documentation

Additional documents are supplied depending on the device version ordered: Always comply strictly with the instructions in the supplementary documentation. The supplementary documentation is an integral part of the device documentation.

Field of Activities



Document FA00004P

Pressure measurement, powerful devices for process pressure, differential pressure, level and flow

Special Documentation



Document SD01553P

Mechanical accessories for pressure equipment

The documentation provides an overview of available manifolds, oval flange adapters, pressure gauge valves, shutoff valves, water pocket pipes, condensate pots, cable shortening kits, test adapters, flushing rings, Block&Bleed valves and protective roofs.

Registered trademarks

HART®

Registered trademark of the FieldComm Group, Austin, Texas, USA

PROFINET®

Registered trademark of the PROFIBUS User Organization, Karlsruhe, Germany

Bluetooth®

The Bluetooth® wordmark and logos are registered trademarks of Bluetooth SIG, Inc. and any use of these trademarks by Endress+Hauser is licensed. Other trademarks and trade names are those of their respective owners.



71688279

www.addresses.endress.com
