

# Technical Information

## Micropilot FMR60B

### PROFIBUS PA

Free-space radar



## Level measurement in liquids

### Application

- Continuous, non-contact level measurement of liquids, pastes and sludges
- Process connections: Thread or mounting bracket
- Maximum measuring range: 50 m (164 ft)
- Temperature: -40 to +200 °C (-40 to +392 °F)
- Pressure: -1 to +20 bar (-14.5 to +290 psi)
- Accuracy: ±1 mm (±0.04 in)

### Your benefits

- PVDF, PTFE Drip-off or PEEK antenna for small process connections
- Reliable measurement thanks to very good signal focusing, even with small process connections
- Easy, guided commissioning with intuitive user interface
- *Bluetooth*® wireless technology for commissioning, operation and maintenance

## Table of contents

<b>Important document information</b> . . . . .	<b>4</b>	<b>Process</b> . . . . .	<b>36</b>
Symbols . . . . .	4	Process pressure range . . . . .	36
Graphic conventions . . . . .	5	Dielectric constant . . . . .	38
<b>Function and system design</b> . . . . .	<b>5</b>	<b>Mechanical construction</b> . . . . .	<b>38</b>
Measuring principle . . . . .	5	Dimensions . . . . .	38
Reliability . . . . .	6	Weight . . . . .	50
<b>Input</b> . . . . .	<b>6</b>	Materials . . . . .	51
Measured variable . . . . .	6	<b>Operability</b> . . . . .	<b>56</b>
Measuring range . . . . .	6	Operation concept . . . . .	56
Operating frequency . . . . .	12	Languages . . . . .	56
Transmission power . . . . .	12	Local operation . . . . .	56
<b>Output</b> . . . . .	<b>12</b>	Local display . . . . .	56
PROFIBUS PA . . . . .	12	Remote operation . . . . .	58
Signal on alarm . . . . .	12	System integration . . . . .	58
Linearization . . . . .	13	Supported operating tools . . . . .	59
Protocol-specific data . . . . .	13	<b>Certificates and approvals</b> . . . . .	<b>59</b>
<b>Power supply</b> . . . . .	<b>14</b>	CE mark . . . . .	59
Terminal assignment . . . . .	14	RoHS . . . . .	59
Terminals . . . . .	15	RCM marking . . . . .	59
Available device plugs . . . . .	15	Ex approvals . . . . .	59
Supply voltage . . . . .	15	Pressure equipment with permitted pressure ≤ 200 bar (2 900 psi) . . . . .	59
Potential equalization . . . . .	16	Radio approval . . . . .	59
Cable entries . . . . .	16	EN 302729 radio standard . . . . .	59
Cable specification . . . . .	16	EN 302372 radio standard . . . . .	60
Overvoltage protection . . . . .	17	FCC . . . . .	61
<b>Performance characteristics</b> . . . . .	<b>17</b>	Industry Canada . . . . .	61
Reference operating conditions . . . . .	17	External standards and guidelines . . . . .	61
Maximum measured error . . . . .	17	<b>Ordering information</b> . . . . .	<b>62</b>
Measured value resolution . . . . .	18	Calibration . . . . .	62
Response time . . . . .	18	Service . . . . .	63
Influence of ambient temperature . . . . .	18	Test, certificate, declaration . . . . .	63
Influence of gas phase . . . . .	18	Identification . . . . .	63
<b>Installation</b> . . . . .	<b>19</b>	<b>Application packages</b> . . . . .	<b>64</b>
Mounting location . . . . .	19	Heartbeat Technology . . . . .	64
Orientation . . . . .	20	<b>Accessories</b> . . . . .	<b>65</b>
Installation instructions . . . . .	21	Weather protection cover: 316L, XW112 . . . . .	65
Beam angle . . . . .	22	Weather protection cover, plastic, XW111 . . . . .	65
Special mounting instructions . . . . .	24	Mounting bracket adjustable, FMR6xB . . . . .	66
<b>Environment</b> . . . . .	<b>25</b>	Remote display FHX50B . . . . .	67
Ambient temperature range . . . . .	25	Gas-tight feedthrough . . . . .	68
Ambient temperature limits . . . . .	25	Field Xpert SMT70 . . . . .	69
Storage temperature . . . . .	35	DeviceCare SFE100 . . . . .	69
Climate class . . . . .	35	FieldCare SFE500 . . . . .	69
Installation height as per IEC61010-1 Ed.3 . . . . .	35	RID14 . . . . .	69
Degree of protection . . . . .	36	RID16 . . . . .	69
Vibration resistance . . . . .	36	Fieldgate SFG500 . . . . .	70
Electromagnetic compatibility (EMC) . . . . .	36	<b>Documentation</b> . . . . .	<b>70</b>

**Registered trademarks . . . . . 71**

## Important document information

### Symbols

#### Safety symbols



This symbol alerts you to a dangerous situation. Failure to avoid this situation will result in serious or fatal injury.



This symbol alerts you to a potentially dangerous situation. Failure to avoid this situation can result in serious or fatal injury.



This symbol alerts you to a potentially dangerous situation. Failure to avoid this situation can result in minor or medium injury.



This symbol alerts you to a potentially harmful situation. Failure to avoid this situation can result in damage to the product or something in its vicinity.

#### Electrical symbols



Direct current



Alternating current



Direct current and alternating current



#### Ground connection

A grounded terminal which, as far as the operator is concerned, is grounded via a grounding system.

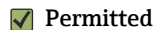


#### Protective earth (PE)

Ground terminals that must be connected to ground prior to establishing any other connections. The ground terminals are located on the inside and outside of the device.

- Inner ground terminal; protective earth is connected to the mains supply.
- Outer ground terminal; device is connected to the plant grounding system.

#### Symbols for certain types of information and graphics



Procedures, processes or actions that are permitted



Procedures, processes or actions that are preferred



Procedures, processes or actions that are forbidden



Indicates additional information



Reference to documentation



Reference to graphic

1, 2, 3, ...

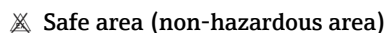
Item numbers

A, B, C, ...

Views



Indicates the hazardous area



Indicates the non-hazardous area

**Graphic conventions**

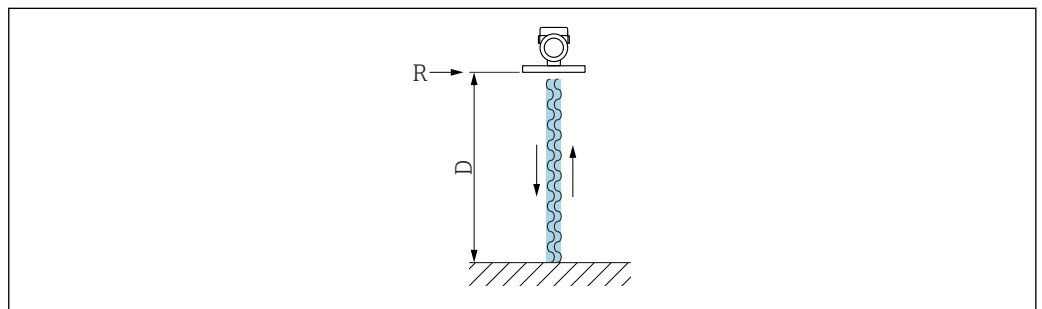


- Installation, explosion and electrical connection drawings are presented in simplified format
- Devices, assemblies, components and dimensional drawings are presented in reduced-line format
- Dimensional drawings are not to-scale representations; the dimensions indicated are rounded off to 2 decimal places
- Unless otherwise described, flanges are presented with sealing surface form EN1091-1, B2; ASME B16.5, RF; JIS B2220, RF

## Function and system design

**Measuring principle**

The Micropilot is a "downward-looking" measuring system, operating based on the frequency modulated continuous wave method (FMCW). The antenna emits an electromagnetic wave at a continuously varying frequency. This wave is reflected by the product and received again by the antenna.



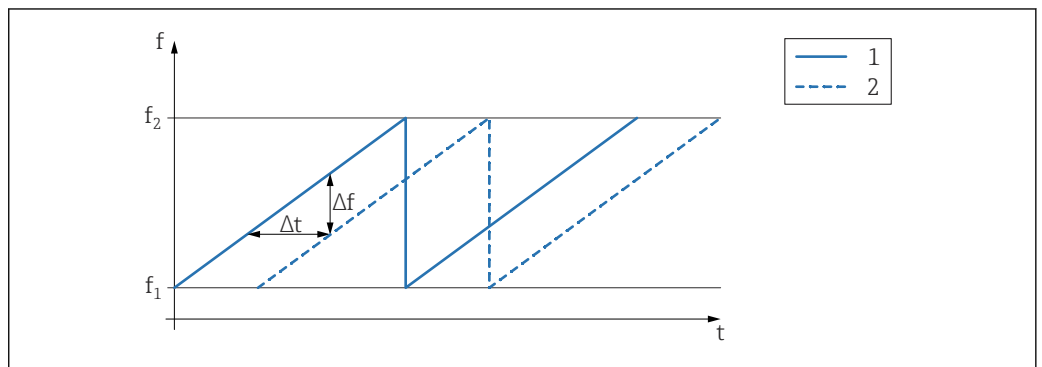
A0032017

1 FMCW principle: transmission and reflection of the continuous wave

R Reference point of measurement

D Distance between reference point and product surface

The frequency of this wave is modulated in the form of a sawtooth signal between two limit frequencies  $f_1$  and  $f_2$ :



A0023771

2 FMCW principle: result of frequency modulation

1 Transmitted signal

2 Received signal

This results in the following difference frequency at any time between the transmitted signal and the received signal:

$$\Delta f = k \Delta t$$

where  $\Delta t$  is the run time and  $k$  is the specified increase in frequency modulation.

$\Delta t$  is given by the distance  $D$  between the reference point  $R$  and the product surface:

$$D = (c \Delta t) / 2$$

where  $c$  is the speed of propagation of the wave.

In summary,  $D$  can be calculated from the measured difference frequency  $\Delta f$ .  $D$  is then used to determine the content of the tank or silo.

---

## Reliability

### IT security

The manufacturer warranty is valid only if the product is installed and used as described in the Operating Instructions. The product is equipped with security mechanisms to protect it against any inadvertent changes to the settings.

IT security measures, which provide additional protection for the product and associated data transfer, must be implemented by the operators themselves in line with their security standards.

## Input

---

### Measured variable

The measured variable is the distance between the reference point and the product surface. The level is calculated based on "E", the empty distance entered.

---

### Measuring range

The measuring range starts at the point where the beam hits the tank floor. Levels below this point cannot be measured, particularly in the case of spherical bases or conical outlets.

#### Maximum measuring range

The maximum measuring range depends on the antenna size and design.

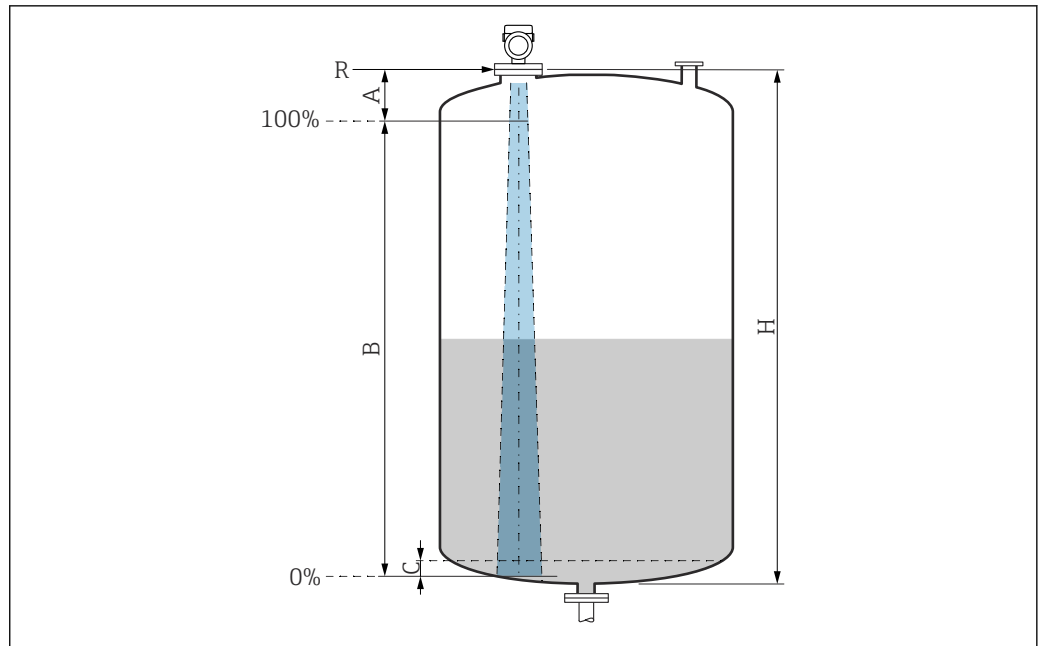
Antenna	Maximum measuring range
Encapsulated, PVDF, 40 mm (1.5 in)	40 m (131 ft)
Drip-off, PTFE, 50 mm (2 in)	50 m (164 ft)
Integrated, PEEK, 20 mm (0.75 in)	10 m (32.8 ft)
Integrated, PEEK, 40 mm (1.5 in)	22 m (72 ft)

#### Usable measuring range

The usable measuring range depends on the antenna size, the medium's reflective properties, the installation position and any possible interference reflections.

In principle, measurement is possible up to the tip of the antenna.

To avoid any material damage from corrosive or aggressive media or deposit buildup on the antenna, the end of the measuring range should be selected 10 mm (0.4 in) before the tip of the antenna.



A0051658

3 Usable measuring range

A Length of antenna + 10 mm (0.4 in)

B Usable measuring range

C 50 to 80 mm (1.97 to 3.15 in); medium  $\epsilon_r < 2$

H Vessel height

R Reference point of measurement, varies depending on the antenna system

For further information on the reference point, see → Mechanical construction.

In the case of media with a low dielectric constant,  $\epsilon_r < 2$ , the tank floor may be visible through the medium at very low levels (lower than level C). Reduced accuracy must be expected in this range. If this is not acceptable, the zero point should be positioned at a distance C above the tank floor in these applications → Usable measuring range.

The media groups and the possible measuring range are described as a function of the application and media group in the following section. If the dielectric constant of the medium is not known, to ensure a reliable measurement assume the medium belongs to group B.

**Media groups**

- **A0** ( $\epsilon_r$  1.2 to 1.4)  
e.g. n-butane, liquid nitrogen, liquid hydrogen
- **A** ( $\epsilon_r$  1.4 to 1.9)  
Non-conductive liquids, e.g. liquefied gas
- **B** ( $\epsilon_r$  1.9 to 4)  
Non-conductive liquids, e.g. gasoline, oil, toluene, etc.
- **C** ( $\epsilon_r$  4 to 10)  
e.g. concentrated acid, organic solvents, ester, aniline, etc.
- **D** ( $\epsilon_r >10$ )  
Conductive liquids, aqueous solutions, diluted acids, bases and alcohol

**Measurement of the following media with absorbing gas phase**

For example:

- Ammonia
- Acetone
- Methylene chloride
- Methyl ethyl ketone
- Propylene oxide
- VCM (vinyl chloride monomer)

To measure absorbing gases, either use a guided radar, measuring devices with another measuring frequency or another measuring principle.

If measurements must be performed in one of these media, please contact Endress+Hauser.



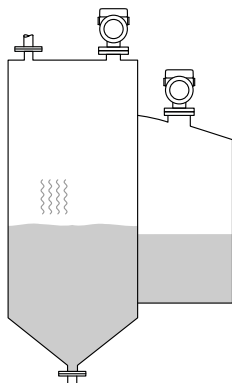
For the relative permittivity values ( $\epsilon_r$  values) of many media commonly used in industry, please refer to:

- Relative permittivity ( $\epsilon_r$  value), Compendium CP01076F
- The Endress+Hauser "DC Values app" (available for Android and iOS)

*Measurement in storage vessel***Storage vessel - measuring conditions**

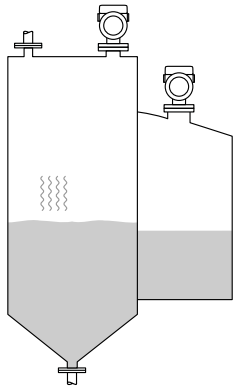
Calm medium surface (e.g. bottom filling, filling via immersion tube or rare filling from above)

*Integrated antenna, PEEK, 20 mm (0.75 in) in storage vessel*

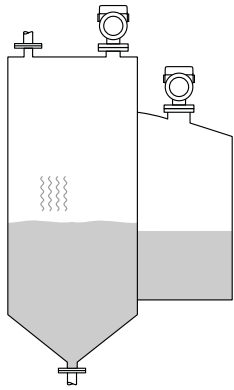
	Media group	Measuring range
	<b>A0</b> ( $\epsilon_r$ 1.2 to 1.4)	1.5 m (5 ft)
	<b>A</b> ( $\epsilon_r$ 1.4 to 1.9)	2.5 m (8 ft)
	<b>B</b> ( $\epsilon_r$ 1.9 to 4)	5 m (16 ft)
	<b>C</b> ( $\epsilon_r$ 4 to 10)	8 m (26 ft)
	<b>D</b> ( $\epsilon_r >10$ )	10 m (33 ft)



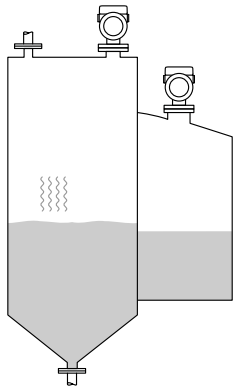
*Integrated antenna, PEEK, 40 mm (1.5 in) in storage vessel*

	Media group	Measuring range
	A0 ( $\epsilon_r$ 1.2 to 1.4)	3 m (10 ft)
	A ( $\epsilon_r$ 1.4 to 1.9)	6 m (20 ft)
	B ( $\epsilon_r$ 1.9 to 4)	11 m (36 ft)
	C ( $\epsilon_r$ 4 to 10)	15 m (49 ft)
	D ( $\epsilon_r$ >10)	22 m (72 ft)

*Encapsulated antenna, PVDF, 40 mm (1.5 in) in storage vessel*

	Media group	Measuring range
	A0 ( $\epsilon_r$ 1.2 to 1.4)	7 m (23 ft)
	A ( $\epsilon_r$ 1.4 to 1.9)	12 m (39.4 ft)
	B ( $\epsilon_r$ 1.9 to 4)	23 m (75.5 ft)
	C ( $\epsilon_r$ 4 to 10)	40 m (131 ft)
	D ( $\epsilon_r$ >10)	40 m (131 ft)

*PTFE Drip-off antenna, 50 mm (2 in) in storage vessel*

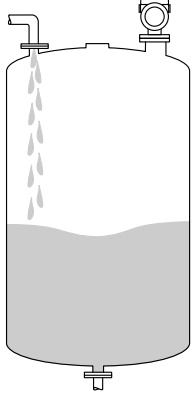
	Media group	Measuring range
	A0 ( $\epsilon_r$ 1.2 to 1.4)	7 m (23 ft)
	A ( $\epsilon_r$ 1.4 to 1.9)	12 m (39 ft)
	B ( $\epsilon_r$ 1.9 to 4)	23 m (75 ft)
	C ( $\epsilon_r$ 4 to 10)	40 m (131 ft)
	D ( $\epsilon_r$ >10)	50 m (164 ft)

*Measurement in the buffer vessel*

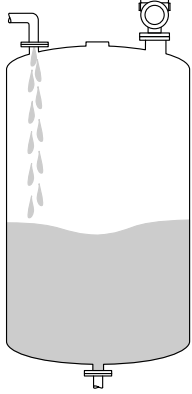
**Buffer vessel - measuring conditions**

Moving medium surface (e.g. permanent free filling from above, mixing jets)

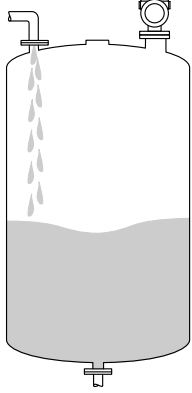
*Integrated antenna, PEEK, 20 mm (0.75 in) in buffer vessel*

	Media group	Measuring range
	A0 ( $\epsilon_r$ 1.2 to 1.4)	1 m (3.3 ft)
	A ( $\epsilon_r$ 1.4 to 1.9)	1.5 m (5 ft)
	B ( $\epsilon_r$ 1.9 to 4)	3 m (10 ft)
	C ( $\epsilon_r$ 4 to 10)	6 m (20 ft)
	D ( $\epsilon_r$ >10)	8 m (26 ft)

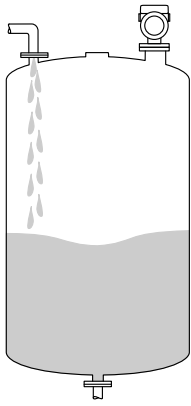
*Integrated antenna, PEEK, 40 mm (1.5 in) in buffer vessel*

	Media group	Measuring range
	A0 ( $\epsilon_r$ 1.2 to 1.4)	1.5 m (5 ft)
	A ( $\epsilon_r$ 1.4 to 1.9)	3 m (10 ft)
	B ( $\epsilon_r$ 1.9 to 4)	6 m (20 ft)
	C ( $\epsilon_r$ 4 to 10)	13 m (43 ft)
	D ( $\epsilon_r$ >10)	20 m (66 ft)

*Encapsulated antenna, PVDF, 40 mm (1.5 in) in buffer vessel*

	Media group	Measuring range
	A0 ( $\epsilon_r$ 1.2 to 1.4)	4 m (13 ft)
	A ( $\epsilon_r$ 1.4 to 1.9)	7.5 m (24.6 ft)
	B ( $\epsilon_r$ 1.9 to 4)	15 m (49.2 ft)
	C ( $\epsilon_r$ 4 to 10)	25 m (82 ft)
	D ( $\epsilon_r$ >10)	35 m (114.8 ft)

*PTFE Drip-off antenna, 50 mm (2 in) in buffer vessel*

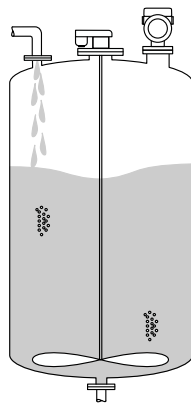
	Media group	Measuring range
	A0 ( $\epsilon_r$ 1.2 to 1.4)	4 m (13 ft)
	A ( $\epsilon_r$ 1.4 to 1.9)	7 m (23 ft)
	B ( $\epsilon_r$ 1.9 to 4)	13 m (43 ft)
	C ( $\epsilon_r$ 4 to 10)	28 m (92 ft)
	D ( $\epsilon_r$ >10)	44 m (144 ft)

*Measurement in vessel with agitator*

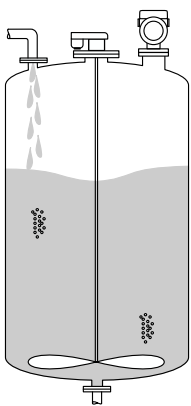
**Vessel with agitator - measuring conditions**

Turbulent medium surface (e.g. from filling from above, stirrers and baffles)

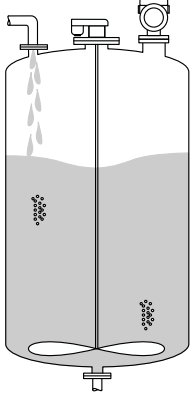
*Integrated antenna, PEEK, 20 mm (0.75 in) in vessel with agitator*

	Media group	Measuring range
	A ( $\epsilon_r$ 1.4 to 1.9)	1 m (3.3 ft)
	B ( $\epsilon_r$ 1.9 to 4)	1.5 m (5 ft)
	C ( $\epsilon_r$ 4 to 10)	3 m (10 ft)
	D ( $\epsilon_r$ >10)	5 m (16 ft)

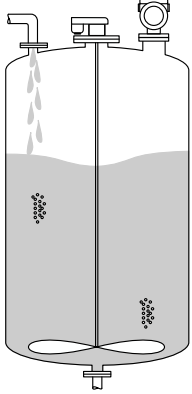
*Integrated antenna, PEEK, 40 mm (1.5 in) in vessel with agitator*

	Media group	Measuring range
	A0 ( $\epsilon_r$ 1.2 to 1.4)	1 m (3.3 ft)
	A ( $\epsilon_r$ 1.4 to 1.9)	1.5 m (5 ft)
	B ( $\epsilon_r$ 1.9 to 4)	3 m (10 ft)
	C ( $\epsilon_r$ 4 to 10)	7 m (23 ft)
	D ( $\epsilon_r$ >10)	11 m (36 ft)

Encapsulated antenna, PVDF, 40 mm (1.5 in) in vessel with agitator

	Media group	Measuring range
	A0 ( $\epsilon_r$ 1.2 to 1.4)	2 m (7 ft)
	A ( $\epsilon_r$ 1.4 to 1.9)	4 m (13 ft)
	B ( $\epsilon_r$ 1.9 to 4)	5 m (16.4 ft)
	C ( $\epsilon_r$ 4 to 10)	15 m (49.2 ft)
	D ( $\epsilon_r$ >10)	20 m (65.6 ft)

PTFE Drip-off antenna, 50 mm (2 in) in vessel with agitator

	Media group	Measuring range
	A0 ( $\epsilon_r$ 1.2 to 1.4)	2 m (7 ft)
	A ( $\epsilon_r$ 1.4 to 1.9)	4 m (13 ft)
	B ( $\epsilon_r$ 1.9 to 4)	7 m (23 ft)
	C ( $\epsilon_r$ 4 to 10)	15 m (49 ft)
	D ( $\epsilon_r$ >10)	25 m (82 ft)

**Operating frequency**      Approx. 80 GHz  
 Up to 8 devices can be installed in a tank without the devices mutually influencing one another.

**Transmission power**      ■ Peak power: <1.5 mW  
 ■ Average output power: <70  $\mu$ W

## Output

**PROFIBUS PA**      According to EN 50170 Volume 2, IEC 61158-2

**Signal coding:**  
 Manchester Bus Powered (MBP) type 1

**Data transmission rate:**  
 31.25 kBit/s, voltage mode

**Galvanic isolation:**  
 Yes

**Signal on alarm**      Diagnostics in accordance with PROFIBUS PA Profile 3.02

**Local display**  
 Status signal (in accordance with NAMUR Recommendation NE 107):  
 Plain text display

**Operating tool via service interface (CDI)**

Status signal (in accordance with NAMUR Recommendation NE 107):  
Plain text display

**Operating tool via PROFIBUS PA communication**

Status signal (in accordance with NAMUR Recommendation NE 107):  
Plain text display

---

**Linearization**

The linearization function of the device allows the conversion of the measured value into any unit of length, weight, flow or volume.

**Pre-programmed linearization curves**

Linearization tables for calculating the volume in the following vessels are preprogrammed into the device:

- Pyramid bottom
- Conical bottom
- Angled bottom
- Horizontal cylinder
- Sphere

Other linearization tables of up to 32 value pairs can be entered manually.

---

**Protocol-specific data**

**PROFIBUS PA**

**Manufacturer ID:**

17 (0x11)

**Ident number:**

0x1568 or 0x9700

**Profile version:**

3.02

**GSD file and version**

Information and files available at:


- [www.endress.com](http://www.endress.com)  
On the product page for the device: Documents/Software → Device drivers
- [www.profibus.com](http://www.profibus.com)

*Output values*

**Analog Input:**

- Level linearized
- Distance
- Volume
- Terminal voltage
- Electronic temperature
- Sensor temperature
- Absolute echo amplitude
- Relative echo amplitude
- Area of incoupling
- Build-up index, optional (Guidance → Heartbeat Technology → Build-up detection → Build-up index)
- Foam index, optional (Diagnostics → Heartbeat Technology → Foam detection → Foam index)

**Digital Input:**

-  Is only available if the "Heartbeat Verification + Monitoring" application package was selected.
- 168 Build-up detected, optional (Guidance → Heartbeat Technology → Build-up detection → 168 Build-up detected)
- 952 Foam detected, optional (Guidance → Heartbeat Technology → Foam detection → 952 Foam detected)

*Input values*

**Analog Output:**

Analog value from PLC to be indicated on the display

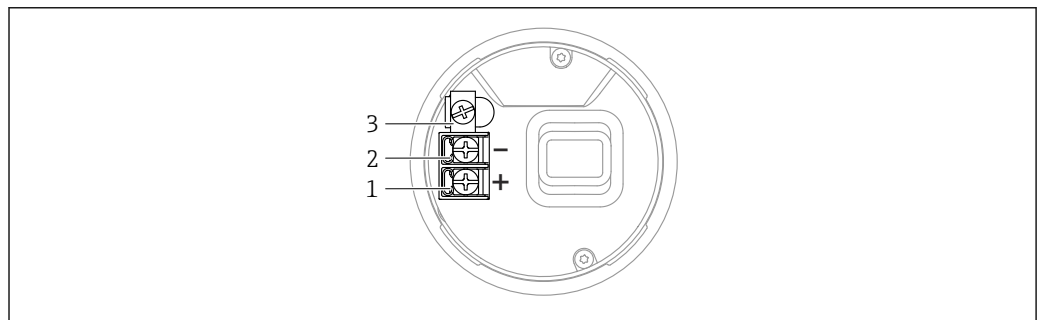
*Supported functions*

- Identification & maintenance
  - Straightforward device identification on the part of the control system and nameplate
- Automatic Ident Number adoption
  - GSD compatibility mode for generic profile 0x9700 "Transmitter with 1 Analog Input"
- Physical layer diagnostics
  - Installation check of the PROFIBUS segment and device using terminal voltage and message monitoring
- PROFIBUS upload/download
  - Reading and writing parameters is up to ten times faster with PROFIBUS upload/download
- Condensed status
  - Straightforward and self-explanatory diagnostic information by categorizing diagnostic messages that occur

## Power supply

### Terminal assignment

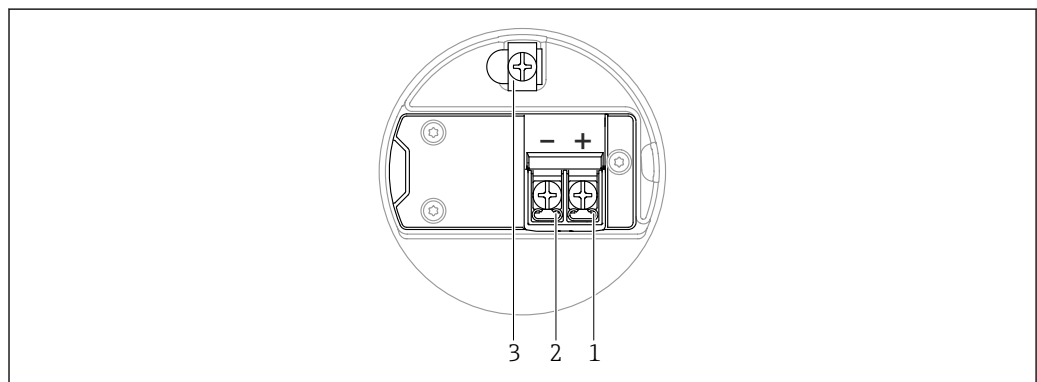
#### Single compartment housing



4 Connection terminals and ground terminal in the connection compartment, single compartment housing

- 1 Positive terminal
- 2 Negative terminal
- 3 Internal ground terminal

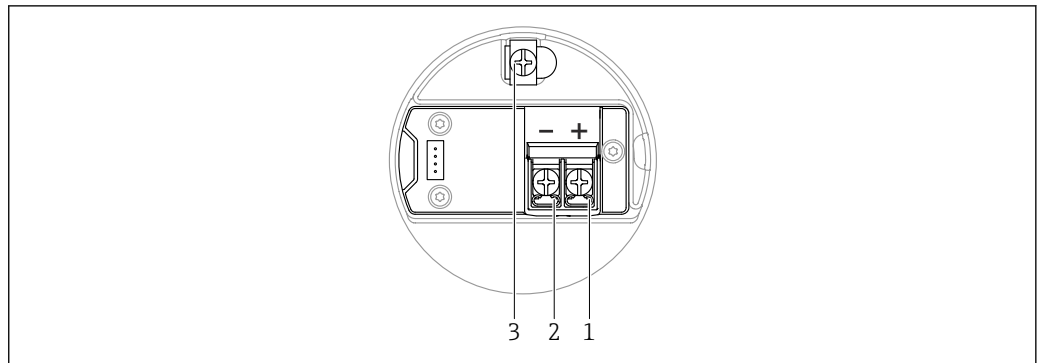
#### Dual compartment housing



5 Connection terminals and ground terminal in the connection compartment

- 1 Plus terminal
- 2 Minus terminal
- 3 Internal ground terminal

**Dual compartment housing, L-shaped**



A0045842

6 Connection terminals and ground terminal in the connection compartment

- 1 Plus terminal
- 2 Minus terminal
- 3 Internal ground terminal

**Terminals**

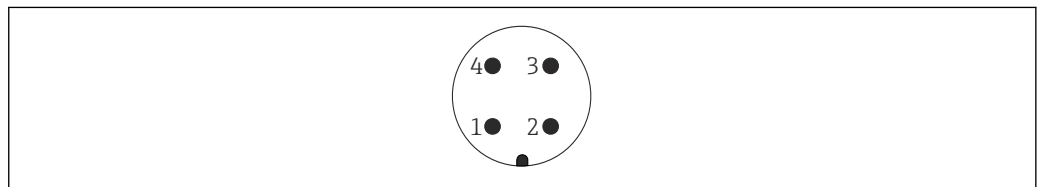
- Supply voltage and inner ground terminal  
Clamping range: 0.5 to 2.5 mm<sup>2</sup> (20 to 14 AWG)
- External ground terminal  
Clamping range: 0.5 to 4 mm<sup>2</sup> (20 to 12 AWG)

**Available device plugs**

**i** In the case of devices with a plug, it is not necessary to open the housing for connection purposes.

Use the enclosed seals to prevent the penetration of moisture into the device.

**Devices with M12 plug**



A0011175

7 View of the plug-in connection on the device

- 1 Signal +
- 2 Not used
- 3 Signal -
- 4 Ground

Various M12 plug sockets are available as accessories for devices with M12 plugs.

**Supply voltage**

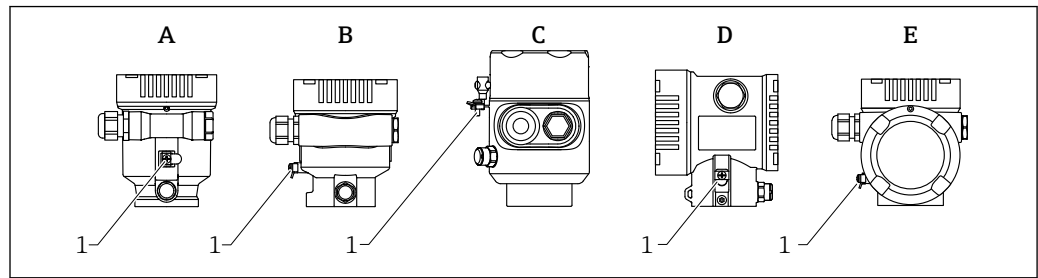
The supply voltage depends on the selected type of device approval

<b>Non-hazardous, Ex d, Ex e</b>	9 to 32 V <sub>DC</sub>
<b>Ex i</b>	9 to 30 V <sub>DC</sub>
<b>Nominal current</b>	14 mA
<b>Error current FDE (Fault Disconnection Electronic)</b>	0 mA

- i** Use only suitable and certified Profibus PA components (e.g. DP/PA segment coupler) for the power supply
- FISCO/FNICO-compliant in accordance with IEC 60079-27
- The supply is not polarity-dependent

**Potential equalization**

The protective ground on the device must not be connected. If necessary, the potential matching line can be connected to the outer ground terminal of the housing before the device is connected.



A0046583

- A Single compartment housing, plastic
- B Single compartment housing, aluminum, coated
- C Single compartment housing, 316L, hygiene (Ex device)
- D Dual compartment housing, aluminum, coated
- E Dual compartment housing, L-shaped, aluminum, coated
- 1 Ground terminal for connecting the potential matching line

**⚠ WARNING**

**Ignitable sparks or impermissible high surface temperatures.**

Explosion hazard!

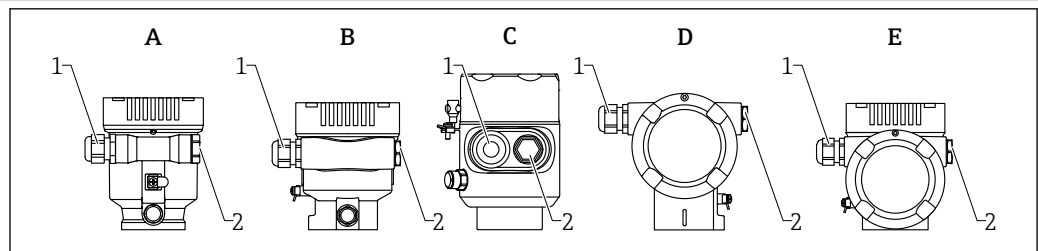
- ▶ Please refer to the separate documentation on applications in hazardous areas for the safety instructions.



For optimum electromagnetic compatibility:

- Keep potential matching line as short as possible
- Observe minimum cross-section of 2.5 mm<sup>2</sup> (14 AWG)

**Cable entries**



A0046584

- A Single compartment housing, plastic
- B Single compartment housing, aluminum, coated
- C Single compartment housing, 316L, hygiene
- D Dual compartment housing, aluminum, coated
- E Dual compartment housing, L-shaped, aluminum, coated
- 1 Cable entry
- 2 Dummy plug

The number and type of cable entries depend on the device version ordered.



Always route connecting cables downwards so that moisture cannot penetrate the connection compartment.

If necessary, create a drip loop or use a weather protection cover.

**Cable specification**

**Rated cross-section**


- Supply voltage  
0.5 to 2.5 mm<sup>2</sup> (20 to 13 AWG)
- Protective earth or grounding of the cable shield  
> 1 mm<sup>2</sup> (17 AWG)
- External ground terminal  
0.5 to 4 mm<sup>2</sup> (20 to 12 AWG)






### Cable outer diameter

The cable outer diameter depends on the cable gland used

- Coupling, plastic:  
ø5 to 10 mm (0.2 to 0.38 in)
- Coupling, nickel-plated brass:  
ø7 to 10.5 mm (0.28 to 0.41 in)
- Coupling, stainless steel:  
ø7 to 12 mm (0.28 to 0.47 in)

 Use a twisted, shielded twin-core cable, preferably cable type A.

For further information on the cable specification:

-  Operating Instructions BA00034S "PROFIBUS DP/PA: Guidelines for planning and commissioning"
-  PROFIBUS Assembling Guideline 8.022
-  IEC 61158-2 (MBP).

---

### Overvoltage protection

The overvoltage protection can optionally be ordered as a "Mounted accessory" via the product structure.

#### Devices without optional overvoltage protection

The devices satisfy the IEC/DIN EN IEC 61326-1 product standard (Table 2 Industrial environment).

Depending on the type of port (DC power supply, input/output port) different testing levels according to IEC/DIN EN 61326-1 against transient overvoltages are applied (IEC/DIN EN 61000-4-5 Surge):  
Test level on DC power ports and input/output ports is 1 000 V line to earth

#### Devices with optional overvoltage protection

- Spark-over voltage: min. 400 V<sub>DC</sub>
- Tested according to IEC/DIN EN 60079-14 sub chapter 12.3 (IEC/DIN EN 60060-1 chapter 7)
- Nominal discharge current: 10 kA

#### NOTICE

**The device can be destroyed by excessively high electrical voltages.**

- ▶ Always ground the device with integrated overvoltage protection.

#### Overvoltage category

Overvoltage category II

## Performance characteristics

---

### Reference operating conditions

- Temperature = +24 °C (+75 °F) ±5 °C (±9 °F)
- Pressure = 960 mbar abs. (14 psia) ±100 mbar (±1.45 psi)
- Humidity = 60 % ±15 %
- Reflector: metal plate with diameter ≥ 1 m (40 in)
- No major interference reflections inside the signal beam

---

### Maximum measured error

#### Reference accuracy

##### Accuracy


The accuracy is the sum of the non-linearity, non-repeatability and hysteresis.

- Measuring distance up to 0.8 m (2.62 ft): max. ±4 mm (±0.16 in)
- Measuring distance > 0.8 m (2.62 ft): ±1 mm (±0.04 in)

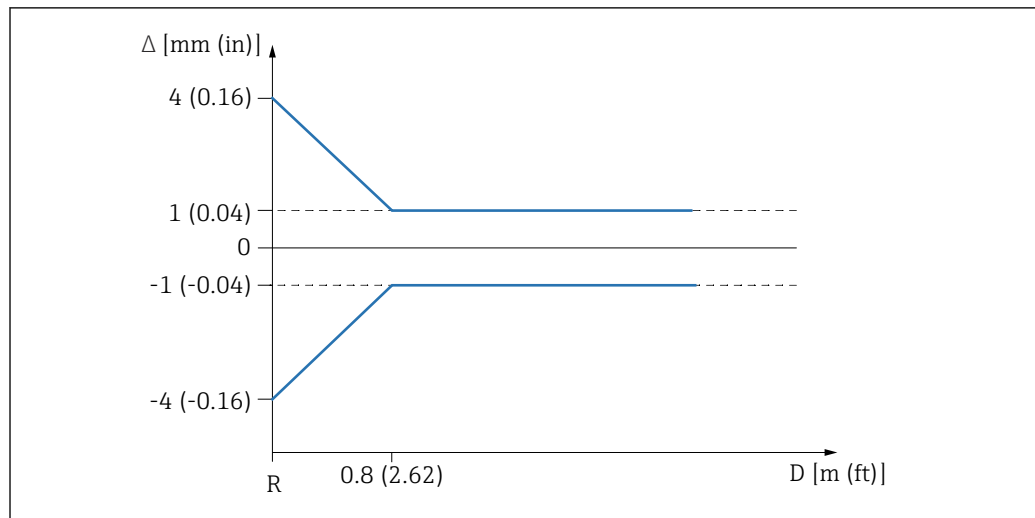
##### Non-repeatability

Non-repeatability is already included in the accuracy.

≤ 1 mm (0.04 in)

 If conditions deviate from the reference operating conditions, the offset/zero point that results from the installation conditions can be up to ±4 mm (±0.16 in). This additional offset/zero point can be eliminated by entering a correction (**Level correction** parameter) during commissioning.

**Differing values in near-range applications**



A0032636

8 Maximum measured error in near-range applications

- $\Delta$  Maximum measured error
- $R$  Reference point of the distance measurement
- $D$  Distance from reference point of antenna

**Measured value resolution** Dead band according to DIN EN IEC 61298-2/DIN EN IEC 60770-1:  
Digital: 1 mm

**Response time** According to DIN EN IEC 61298-2 / DIN EN IEC 60770-1, the step response time is the time following an abrupt change in the input signal up until the changed output signal has adopted 90% of the steady-state value for the first time.

The response time can be configured.

The following step response times apply (in accordance with DIN EN IEC 61298-2/DIN EN IEC 60770-1) when damping is switched off:

- Pulse frequency  $\geq 5/s$  (cycle time  $\leq 200$  ms)
- Step response time  $< 1$  s

**Influence of ambient temperature**  The output changes due to the effect of the ambient temperature with respect to the reference temperature.

The measurements are carried out in accordance with DIN EN IEC 61298-3/DIN EN IEC 60770-1  
Average  $T_C = 2$  mm/10 K

**Influence of gas phase** High pressure reduces the speed of propagation of the measuring signals in the gas or vapor above the medium. This effect depends on the type of gas phase and its temperature. This results in a systematic measured error that increases with increasing distance between the reference point of the measurement (flange) and the surface of the product.


The following table shows the systematic measured error for some typical gases and vapors in relation to the distance.

Measured error for some typical gases and vapors

Gas phase	Temperature	Pressure <sup>1)</sup>		
		1 bar (14.5 psi)	10 bar (145 psi)	25 bar (362 psi)
Air Nitrogen	+20 °C (+68 °F)	0.00 %	+0.22 %	+0.58 %
	+200 °C (+392 °F)	-0.01 %	+0.13 %	+0.36 %
	+400 °C (+752 °F)	-0.02 %	+0.08 %	+0.29 %

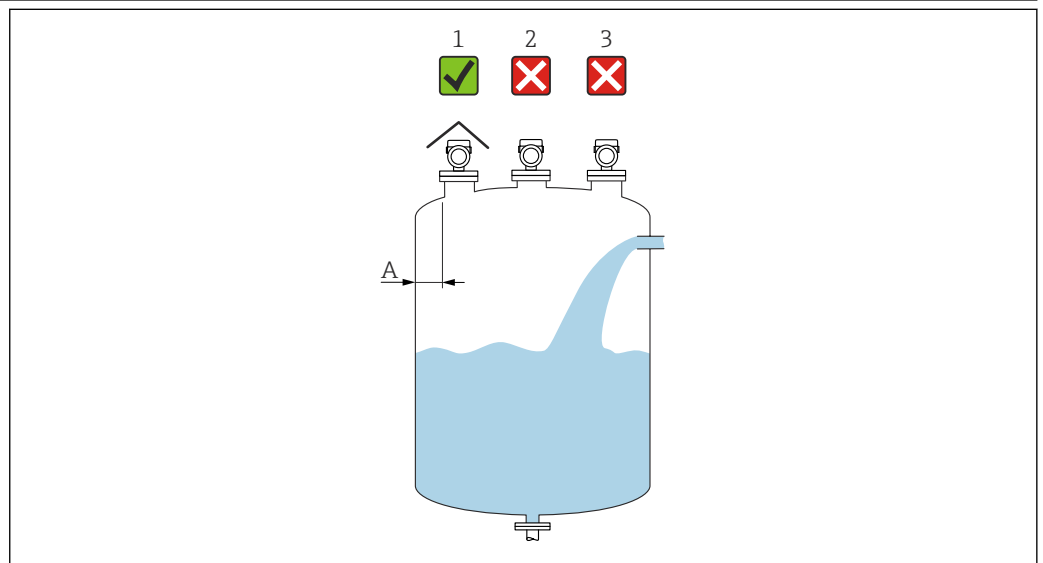
Gas phase	Temperature	Pressure <sup>1)</sup>		
		1 bar (14.5 psi)	10 bar (145 psi)	25 bar (362 psi)
Hydrogen	+20 °C (+68 °F)	-0.01 %	+0.10 %	+0.25 %
	+200 °C (+392 °F)	-0.02 %	+0.05 %	+0.17 %
	+400 °C (+752 °F)	-0.02 %	+0.03 %	+0.11 %
Water (saturated steam)	+100 °C (+212 °F)	+0.02 %	-	-
	+180 °C (+356 °F)	-	+2.10 %	-
	+263 °C (+505 °F)	-	-	+4.15 %
	+310 °C (+590 °F)	-	-	-
	+364 °C (+687 °F)	-	-	-

1) A positive value means that the distance measured is too great

 With a known, constant pressure, it is possible to compensate for this measured error with a linearization, for example.

## Installation

### Mounting location



A0016882

A Recommended distance from wall to nozzle outer edge  $\sim 1/6$  of the vessel diameter. However, the device must not under any circumstances be mounted closer than 15 cm (5.91 in) to the tank wall.

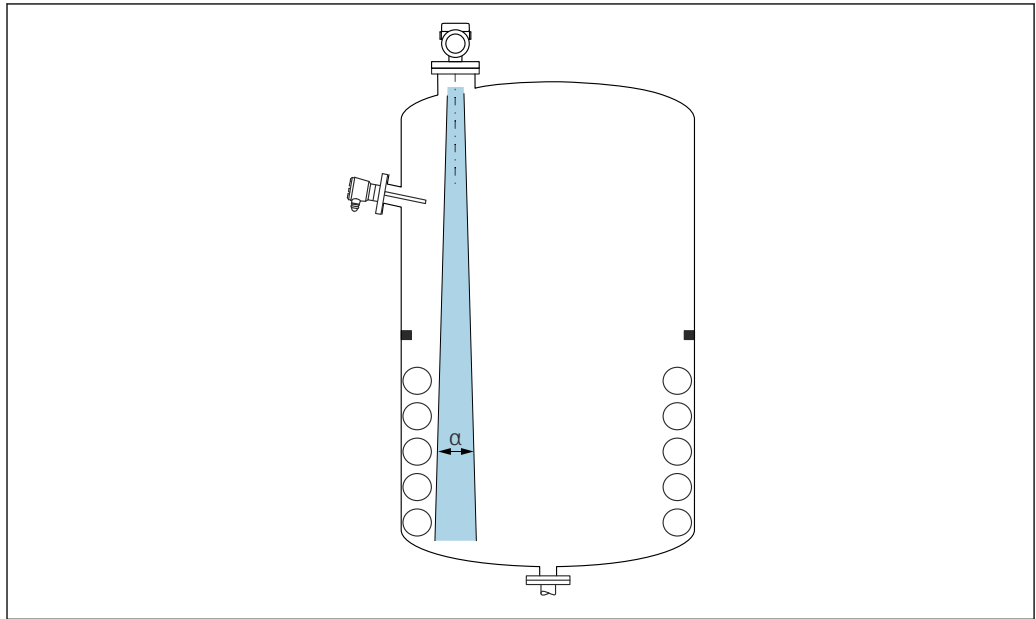
1 Use of a weather protection cover; protection from direct sunlight or rain

2 Installation in the center, interference can cause signal loss

3 Do not install above the filling curtain

## Orientation

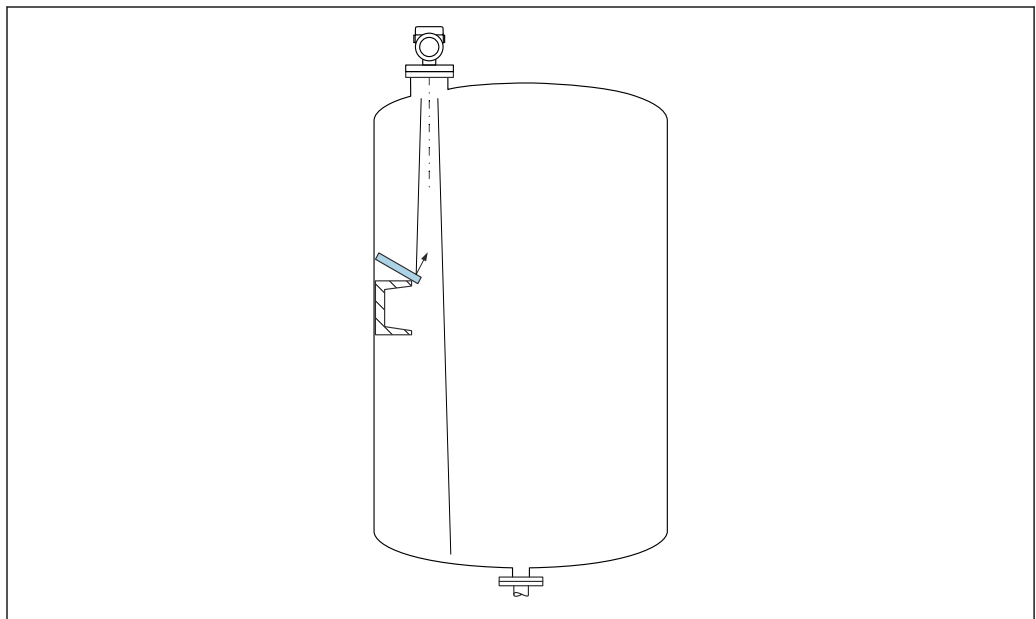
## Internal vessel fittings



A0031777

Avoid internal fittings (level switches, temperature sensors, struts, vacuum rings, heating coils, baffles etc.) inside the signal beam. Pay attention to the beam angle  $\alpha$ .

## Avoiding interference echoes



A0031813

Metal deflector plates, installed at an angle to scatter the radar signals, help prevent interference echoes.

## Vertical alignment of antenna axis

Align the antenna so that it is perpendicular to the product surface.

**i** The maximum reach of the antenna can be reduced, or additional interference signals can occur, if the antenna is not installed perpendicular to the product.

**Radial alignment of the antenna**

Based on the directional characteristic, radial alignment of the antenna is not necessary.

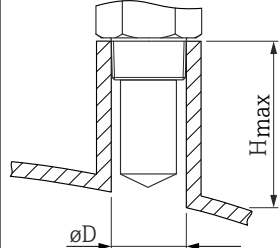
**Installation instructions**

**Encapsulated antenna, PVDF 40 mm (1.57 in)**

*Information about the mounting nozzle*

The maximum nozzle length  $H_{max}$  depends on the nozzle diameter  $D$ .

*Maximum nozzle length  $H_{max}$  as a function of the nozzle diameter  $D$*

	$\phi D$	$H_{max}$
	50 to 80 mm (2 to 3.2 in)	600 mm (24 in)
	80 to 100 mm (3.2 to 4 in)	1000 mm (24 in)
	100 to 150 mm (4 to 6 in)	1250 mm (50 in)
	$\geq 150$ mm (6 in)	1850 mm (74 in)

**i** In the case of longer nozzles, reduced measuring performance must be expected.

Please note the following:

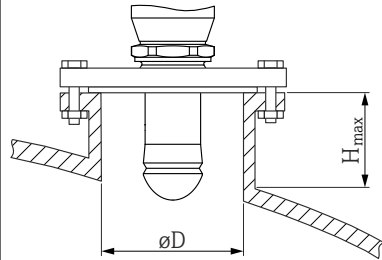
- The end of the nozzle must be smooth and free from burrs.
- The edge of the nozzle should be rounded.
- Mapping must be performed.
- Please contact the manufacturer's support department for applications with nozzles that are higher than indicated in the table.

**PTFE drip-off antenna 50 mm (2 in)**

*Information about the mounting nozzle*

The maximum nozzle length  $H_{max}$  depends on the nozzle diameter  $D$ .

*The maximum length of the nozzle  $H_{max}$  depends on the nozzle diameter  $D$*

	$\phi D$	$H_{max}$
	50 to 80 mm (2 to 3.2 in)	750 mm (30 in)
	80 to 100 mm (3.2 to 4 in)	1 150 mm (46 in)
	100 to 150 mm (4 to 6 in)	1 450 mm (58 in)
	$\geq 150$ mm (6 in)	2 200 mm (88 in)

**i** In the case of longer nozzles, reduced measuring performance must be expected.

Please note the following:

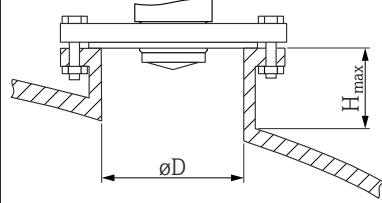
- The end of the nozzle must be smooth and free from burrs.
- The edge of the nozzle should be rounded.
- Mapping must be performed.
- Please contact the manufacturer's support department for applications with nozzles that are higher than indicated in the table.

**Integrated antenna, PEEK 20 mm (0.75 in)**

*Information about the mounting nozzle*

The maximum nozzle length  $H_{max}$  depends on the nozzle diameter  $D$ .

Maximum nozzle length  $H_{max}$  as a function of the nozzle diameter  $D$

	$\phi D$	$H_{max}$
	40 to 50 mm (1.6 to 2 in)	200 mm (8 in)
	50 to 80 mm (2 to 3.2 in)	300 mm (12 in)
	80 to 100 mm (3.2 to 4 in)	450 mm (18 in)
	100 to 150 mm (4 to 6 in)	550 mm (22 in)
	$\geq 150$ mm (6 in)	850 mm (34 in)

**i** In the case of longer nozzles, reduced measuring performance must be expected.

Please note the following:

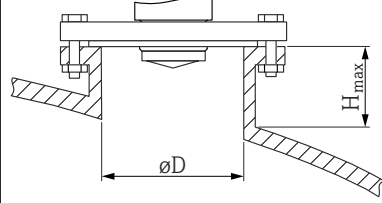
- The end of the nozzle must be smooth and free from burrs.
- The edge of the nozzle should be rounded.
- Mapping must be performed.
- Please contact the manufacturer's support department for applications with nozzles that are higher than indicated in the table.

#### Integrated antenna, PEEK 40 mm (1.5 in)

Information about the mounting nozzle

The maximum nozzle length  $H_{max}$  depends on the nozzle diameter  $D$ .

Maximum nozzle length  $H_{max}$  as a function of the nozzle diameter  $D$

	$\phi D$	$H_{max}$
	40 to 50 mm (1.6 to 2 in)	400 mm (16 in)
	50 to 80 mm (2 to 3.2 in)	550 mm (22 in)
	80 to 100 mm (3.2 to 4 in)	850 mm (34 in)
	100 to 150 mm (4 to 6 in)	1050 mm (42 in)
	$\geq 150$ mm (6 in)	1600 mm (64 in)

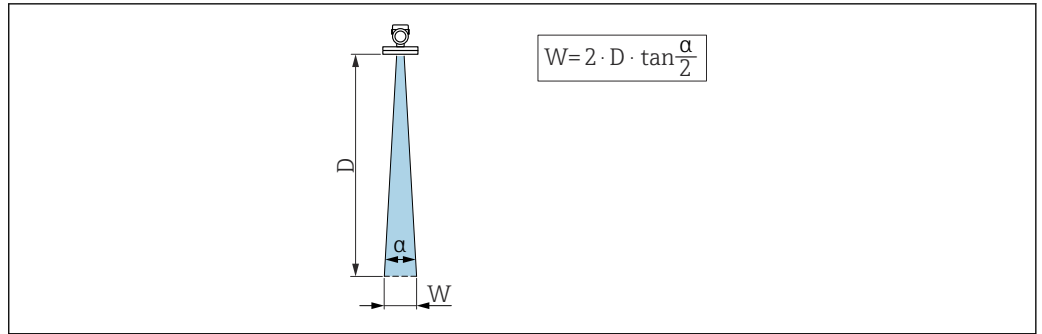
**i** In the case of longer nozzles, reduced measuring performance must be expected.

Please note the following:

- The end of the nozzle must be smooth and free from burrs.
- The edge of the nozzle should be rounded.
- Mapping must be performed.
- Please contact the manufacturer's support department for applications with nozzles that are higher than indicated in the table.

#### Beam angle

The beam angle is defined as the angle  $\alpha$  where the energy density of the radar waves reaches half the value of the maximum energy density (3 dB width). Microwaves are also emitted outside the signal beam and can be reflected off interfering installations.



A0031824

9 Relationship between beam angle  $\alpha$ , distance  $D$  and beamwidth diameter  $W$

**i** The beamwidth diameter  $W$  depends on the beam angle  $\alpha$  and the distance  $D$ .

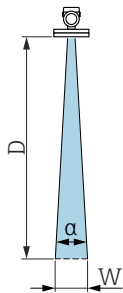
Encapsulated antenna, PVDF 40 mm (1.5 in),  $\alpha = 8^\circ$

$W = D \times 0.14$	$D$	$W$
	5 m (16 ft)	0.70 m (2.29 ft)
	10 m (33 ft)	1.40 m (4.58 ft)
	15 m (49 ft)	2.09 m (6.87 ft)
	20 m (66 ft)	2.79 m (9.16 ft)
	25 m (82 ft)	3.50 m (11.48 ft)
	30 m (98 ft)	4.20 m (13.78 ft)
	35 m (115 ft)	4.89 m (16.04 ft)
	40 m (131 ft)	5.59 m (18.34 ft)

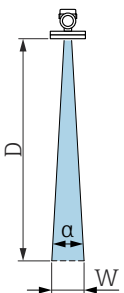
Drip-off antenna, PTFE 50 mm (2 in),  $\alpha = 6^\circ$

$W = D \times 0.10$	$D$	$W$
	5 m (16 ft)	0.52 m (1.70 ft)
	10 m (33 ft)	1.04 m (3.41 ft)
	15 m (49 ft)	1.56 m (5.12 ft)
	20 m (66 ft)	2.08 m (6.82 ft)
	25 m (82 ft)	2.60 m (8.53 ft)
	30 m (98 ft)	3.12 m (10.24 ft)
	35 m (115 ft)	3.64 m (11.94 ft)
	40 m (131 ft)	4.16 m (13.65 ft)
	45 m (148 ft)	4.68 m (15.35 ft)
50 m (164 ft)	5.20 m (17.06 ft)	

Integrated antenna, PEEK 20 mm (0.75 in),  $\alpha = 14^\circ$

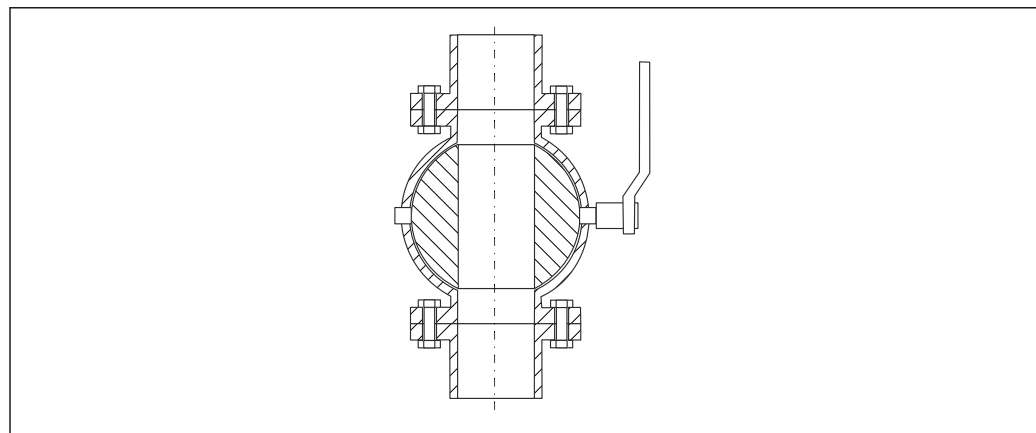
$W = D \times 0.26$	D	W
	5 m (16 ft)	1.23 m (4.04 ft)
	10 m (33 ft)	2.46 m (8.07 ft)

Integrated antenna, PEEK 40 mm (1.5 in),  $\alpha = 8^\circ$

$W = D \times 0.14$	D	W
	5 m (16 ft)	0.70 m (2.29 ft)
	10 m (33 ft)	1.40 m (4.58 ft)
	15 m (49 ft)	2.09 m (6.87 ft)
	20 m (66 ft)	2.79 m (9.16 ft)
	22 m (72.18 ft)	3.08 m (10.10 ft)

**Special mounting instructions**

**Measurement through a ball valve**



A0034564

- Measurements can be performed through an open full bore ball valve without any problems.
- At the transitions, no gap exceeding 1 mm (0.04 in) may be left.
- Opening diameter of ball valve must always correspond to the pipe diameter; avoid edges and constrictions.

**External measurement through plastic cover or dielectric windows**

- Dielectric constant of medium:  $\epsilon_r \geq 10$
- The distance from the tip of the antenna to the tank should be approx. 100 mm (4 in).
- Avoid installation positions where condensate or buildup can form between the antenna and the vessel
- In the case of outdoor installations, ensure that the area between the antenna and the tank is protected from the weather
- Do not install any fittings or attachments between the antenna and the tank that could reflect the signal

The thickness of the tank ceiling or the dielectric window depends on the  $\epsilon_r$  of the material.

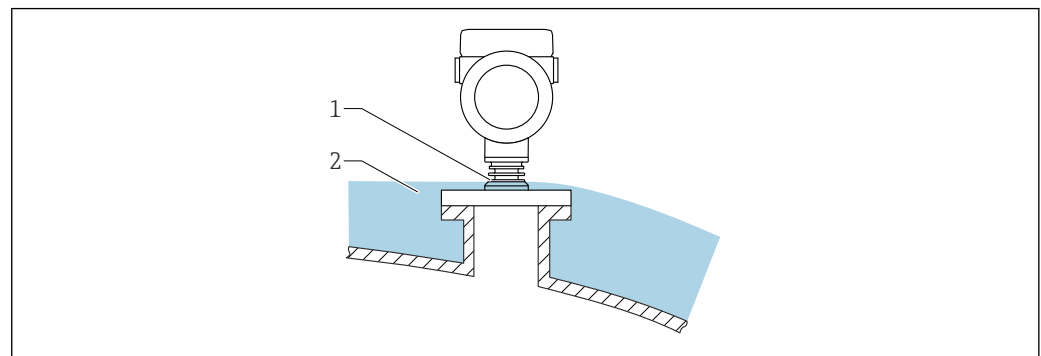


The material thickness can be a full multiple of the optimum thickness (table); it is important to note, however, that the microwave transparency decreases significantly with increasing material thickness.

*Optimum material thickness*

Material	Optimum material thickness
PE; $\epsilon_r$ 2.3	1.25 mm (0.049 in)
PTFE; $\epsilon_r$ 2.1	1.30 mm (0.051 in)
PP; $\epsilon_r$ 2.3	1.25 mm (0.049 in)
Perspex; $\epsilon_r$ 3.1	1.10 mm (0.043 in)

**Container with heat insulation**



A0046566

If process temperatures are high, the device should be included in the usual container insulation system (2) to prevent the electronics from heating as a result of thermal radiation or convection. The rib structure (1) must not be insulated.

## Environment

- Ambient temperature range** The following values apply up to a process temperature of +85 °C (+185 °F). At higher process temperatures, the permitted ambient temperature is reduced.
- Without LCD display:  
Standard: -40 to +85 °C (-40 to +185 °F)
  - With LCD display: -40 to +85 °C (-40 to +185 °F) with limitations in optical properties such as display speed and contrast for example. Can be used without limitations up to -20 to +60 °C (-4 to +140 °F)
- i** If operating outdoors in strong sunlight:
- Mount the device in the shade.
  - Avoid direct sunlight, particularly in warm climatic regions.
  - Use a weather protection cover (see accessories).

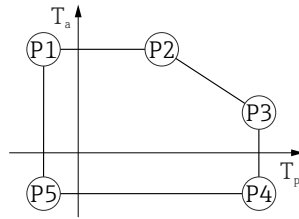
**Ambient temperature limits** The permitted ambient temperature ( $T_a$ ) depends on the selected housing material (Product Configurator → Housing; Material →) and the selected process temperature range (Product Configurator → Application →).

In the event of temperature ( $T_p$ ) at the process connection, the permitted ambient temperature ( $T_a$ ) is reduced.

**i** The following information only takes functional aspects into consideration. Additional restrictions may apply for certified device versions.

**Plastic housing**

Plastic housing; process temperature  $-20$  to  $+150$  °C ( $-4$  to  $+302$  °F)



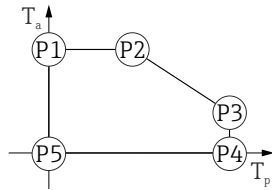
A0032024

▣ 10 Plastic housing; process temperature  $-20$  to  $+150$  °C ( $-4$  to  $+302$  °F)

- P1 =  $T_p: -20$  °C ( $-4$  °F) |  $T_a: +76$  °C ( $+169$  °F)
- P2 =  $T_p: +76$  °C ( $+169$  °F) |  $T_a: +76$  °C ( $+169$  °F)
- P3 =  $T_p: +150$  °C ( $+302$  °F) |  $T_a: +25$  °C ( $+77$  °F)
- P4 =  $T_p: +150$  °C ( $+302$  °F) |  $T_a: -20$  °C ( $-4$  °F)
- P5 =  $T_p: -20$  °C ( $-4$  °F) |  $T_a: -20$  °C ( $-4$  °F)

**i** In the case of devices with a plastic housing and CSA C/US approval, the selected process temperature of  $-20$  to  $+150$  °C ( $-4$  to  $+302$  °F) is limited to  $0$  to  $+150$  °C ( $+32$  to  $+302$  °F).

Restriction to a process temperature of  $0$  to  $+150$  °C ( $+32$  to  $+302$  °F) with CSA C/US approval and plastic housing

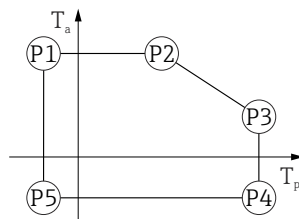


A0048826

▣ 11 Plastic housing; process temperature  $0$  to  $+150$  °C ( $+32$  to  $+302$  °F) with CSA C/US approval

- P1 =  $T_p: 0$  °C ( $+32$  °F) |  $T_a: +76$  °C ( $+169$  °F)
- P2 =  $T_p: +76$  °C ( $+169$  °F) |  $T_a: +76$  °C ( $+169$  °F)
- P3 =  $T_p: +150$  °C ( $+302$  °F) |  $T_a: +25$  °C ( $+77$  °F)
- P4 =  $T_p: +150$  °C ( $+302$  °F) |  $T_a: 0$  °C ( $+32$  °F)
- P5 =  $T_p: 0$  °C ( $+32$  °F) |  $T_a: 0$  °C ( $+32$  °F)

Plastic housing; process temperature  $-20$  to  $+200$  °C ( $-4$  to  $+392$  °F)



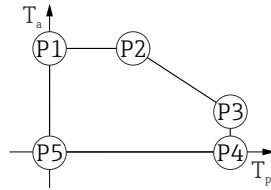
A0032024

▣ 12 Plastic housing; process temperature  $-20$  to  $+200$  °C ( $-4$  to  $+392$  °F)

- P1 =  $T_p: -20$  °C ( $-4$  °F) |  $T_a: +76$  °C ( $+169$  °F)
- P2 =  $T_p: +76$  °C ( $+169$  °F) |  $T_a: +76$  °C ( $+169$  °F)
- P3 =  $T_p: +200$  °C ( $+392$  °F) |  $T_a: +27$  °C ( $+81$  °F)
- P4 =  $T_p: +200$  °C ( $+392$  °F) |  $T_a: -20$  °C ( $-4$  °F)
- P5 =  $T_p: -20$  °C ( $-4$  °F) |  $T_a: -20$  °C ( $-4$  °F)

**i** In the case of devices with a plastic housing and CSA C/US approval, the selected process temperature of  $-20$  to  $+200$  °C ( $-4$  to  $+392$  °F) is limited to  $0$  to  $+200$  °C ( $+32$  to  $+392$  °F).

Restriction to a process temperature of 0 to +200 °C (+32 to +392 °F) with CSA C/US approval and plastic housing

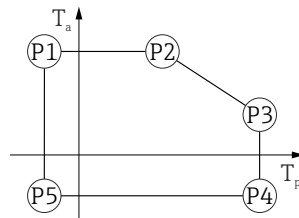


A0048826

13 Plastic housing; process temperature 0 to +200 °C (+32 to +392 °F) with CSA C/US approval

- P1 =  $T_p$ : 0 °C (+32 °F) |  $T_a$ : +76 °C (+169 °F)
- P2 =  $T_p$ : +76 °C (+169 °F) |  $T_a$ : +76 °C (+169 °F)
- P3 =  $T_p$ : +200 °C (+392 °F) |  $T_a$ : +27 °C (+81 °F)
- P4 =  $T_p$ : +200 °C (+392 °F) |  $T_a$ : 0 °C (+32 °F)
- P5 =  $T_p$ : 0 °C (+32 °F) |  $T_a$ : 0 °C (+32 °F)

Plastic housing; process temperature -40 to +80 °C (-40 to +176 °F)



A0032024

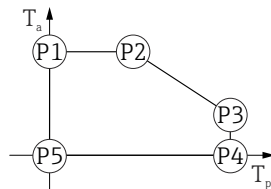
14 Plastic housing; process temperature -40 to +80 °C (-40 to +176 °F)

- P1 =  $T_p$ : -40 °C (-40 °F) |  $T_a$ : +76 °C (+169 °F)
- P2 =  $T_p$ : +76 °C (+169 °F) |  $T_a$ : +76 °C (+169 °F)
- P3 =  $T_p$ : +80 °C (+176 °F) |  $T_a$ : +75 °C (+167 °F)
- P4 =  $T_p$ : +80 °C (+176 °F) |  $T_a$ : -40 °C (-40 °F)
- P5 =  $T_p$ : -40 °C (-40 °F) |  $T_a$ : -40 °C (-40 °F)

**i** In the case of devices with a plastic housing and CSA C/US approval, the selected process temperature of

-40 to +80 °C (-40 to +176 °F) is limited to 0 to +80 °C (+32 to +176 °F).

Restriction to a process temperature of 0 to +80 °C (+32 to +176 °F) with CSA C/US approval and plastic housing

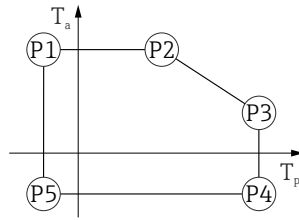


A0048826

15 Plastic housing; process temperature 0 to +80 °C (+32 to +176 °F) with CSA C/US approval

- P1 =  $T_p$ : 0 °C (+32 °F) |  $T_a$ : +76 °C (+169 °F)
- P2 =  $T_p$ : +76 °C (+169 °F) |  $T_a$ : +76 °C (+169 °F)
- P3 =  $T_p$ : +80 °C (+176 °F) |  $T_a$ : +75 °C (+167 °F)
- P4 =  $T_p$ : +80 °C (+176 °F) |  $T_a$ : 0 °C (+32 °F)
- P5 =  $T_p$ : 0 °C (+32 °F) |  $T_a$ : 0 °C (+32 °F)

Plastic housing; process temperature  $-40$  to  $+130$  °C ( $-40$  to  $+266$  °F)



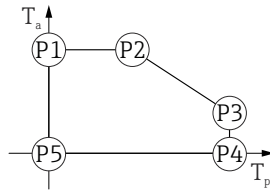
A0032024

▣ 16 Plastic housing; process temperature  $-40$  to  $+130$  °C ( $-40$  to  $+266$  °F)

- P1 =  $T_p$ :  $-40$  °C ( $-40$  °F) |  $T_a$ :  $+76$  °C ( $+169$  °F)
- P2 =  $T_p$ :  $+76$  °C ( $+169$  °F) |  $T_a$ :  $+76$  °C ( $+169$  °F)
- P3 =  $T_p$ :  $+130$  °C ( $+266$  °F) |  $T_a$ :  $+41$  °C ( $+106$  °F)
- P4 =  $T_p$ :  $+130$  °C ( $+266$  °F) |  $T_a$ :  $-40$  °C ( $-40$  °F)
- P5 =  $T_p$ :  $-40$  °C ( $-40$  °F) |  $T_a$ :  $-40$  °C ( $-40$  °F)

**i** In the case of devices with a plastic housing and CSA C/US approval, the selected process temperature of  $-40$  to  $+130$  °C ( $-40$  to  $+266$  °F) is limited to  $0$  to  $+130$  °C ( $+32$  to  $+266$  °F).

Restriction to a process temperature of  $0$  to  $+130$  °C ( $+32$  to  $+266$  °F) with CSA C/US approval and plastic housing

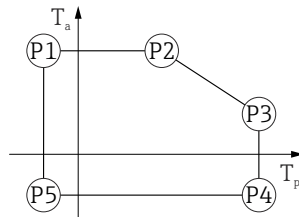


A0048626

▣ 17 Plastic housing; process temperature  $0$  to  $+130$  °C ( $+32$  to  $+266$  °F) with CSA C/US approval

- P1 =  $T_p$ :  $0$  °C ( $+32$  °F) |  $T_a$ :  $+76$  °C ( $+169$  °F)
- P2 =  $T_p$ :  $+76$  °C ( $+169$  °F) |  $T_a$ :  $+76$  °C ( $+169$  °F)
- P3 =  $T_p$ :  $+130$  °C ( $+266$  °F) |  $T_a$ :  $+41$  °C ( $+106$  °F)
- P4 =  $T_p$ :  $+130$  °C ( $+266$  °F) |  $T_a$ :  $0$  °C ( $+32$  °F)
- P5 =  $T_p$ :  $0$  °C ( $+32$  °F) |  $T_a$ :  $0$  °C ( $+32$  °F)

Plastic housing; process temperature  $-40$  to  $+150$  °C ( $-40$  to  $+302$  °F)



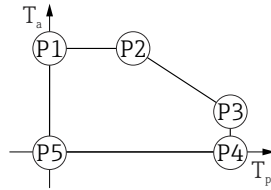
A0032024

▣ 18 Plastic housing; process temperature  $-40$  to  $+150$  °C ( $-40$  to  $+302$  °F)

- P1 =  $T_p$ :  $-40$  °C ( $-40$  °F) |  $T_a$ :  $+76$  °C ( $+169$  °F)
- P2 =  $T_p$ :  $+76$  °C ( $+169$  °F) |  $T_a$ :  $+76$  °C ( $+169$  °F)
- P3 =  $T_p$ :  $+150$  °C ( $+302$  °F) |  $T_a$ :  $+25$  °C ( $+77$  °F)
- P4 =  $T_p$ :  $+150$  °C ( $+302$  °F) |  $T_a$ :  $-40$  °C ( $-40$  °F)
- P5 =  $T_p$ :  $-40$  °C ( $-40$  °F) |  $T_a$ :  $-40$  °C ( $-40$  °F)

**i** In the case of devices with a plastic housing and CSA C/US approval, the selected process temperature of  $-40$  to  $+150$  °C ( $-40$  to  $+302$  °F) is limited to  $0$  to  $+150$  °C ( $+32$  to  $+302$  °F).

Restriction to a process temperature of 0 to +150 °C (+32 to +302 °F) with CSA C/US approval and plastic housing

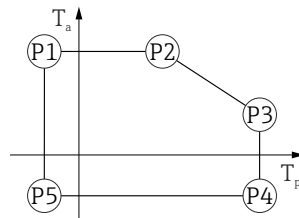


A0048826

19 Plastic housing; process temperature 0 to +150 °C (+32 to +302 °F) with CSA C/US approval

- P1 =  $T_p: 0\text{ °C (+32 °F)}$  |  $T_a: +76\text{ °C (+169 °F)}$
- P2 =  $T_p: +76\text{ °C (+169 °F)}$  |  $T_a: +76\text{ °C (+169 °F)}$
- P3 =  $T_p: +150\text{ °C (+302 °F)}$  |  $T_a: +25\text{ °C (+77 °F)}$
- P4 =  $T_p: +150\text{ °C (+302 °F)}$  |  $T_a: 0\text{ °C (+32 °F)}$
- P5 =  $T_p: 0\text{ °C (+32 °F)}$  |  $T_a: 0\text{ °C (+32 °F)}$

Plastic housing; process temperature -40 to +200 °C (-40 to +392 °F)



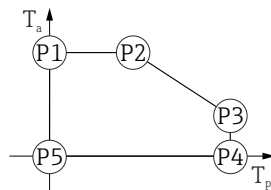
A0032024

20 Plastic housing; process temperature -40 to +200 °C (-40 to +392 °F)

- P1 =  $T_p: -40\text{ °C (-40 °F)}$  |  $T_a: +76\text{ °C (+169 °F)}$
- P2 =  $T_p: +76\text{ °C (+169 °F)}$  |  $T_a: +76\text{ °C (+169 °F)}$
- P3 =  $T_p: +200\text{ °C (+392 °F)}$  |  $T_a: +27\text{ °C (+81 °F)}$
- P4 =  $T_p: +200\text{ °C (+392 °F)}$  |  $T_a: -40\text{ °C (-40 °F)}$
- P5 =  $T_p: -40\text{ °C (-40 °F)}$  |  $T_a: -40\text{ °C (-40 °F)}$

**i** In the case of devices with a plastic housing and CSA C/US approval, the selected process temperature of -40 to +200 °C (-40 to +392 °F) is limited to 0 to +200 °C (+32 to +392 °F).

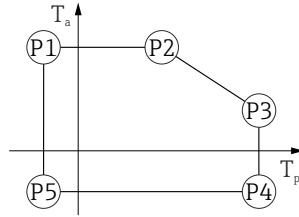
Restriction to a process temperature of 0 to +200 °C (+32 to +392 °F) with CSA C/US approval and plastic housing



A0048826

21 Plastic housing; process temperature 0 to +200 °C (+32 to +392 °F) with CSA C/US approval

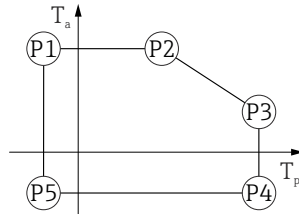
- P1 =  $T_p: 0\text{ °C (+32 °F)}$  |  $T_a: +76\text{ °C (+169 °F)}$
- P2 =  $T_p: +76\text{ °C (+169 °F)}$  |  $T_a: +76\text{ °C (+169 °F)}$
- P3 =  $T_p: +200\text{ °C (+392 °F)}$  |  $T_a: +27\text{ °C (+81 °F)}$
- P4 =  $T_p: +200\text{ °C (+392 °F)}$  |  $T_a: 0\text{ °C (+32 °F)}$
- P5 =  $T_p: 0\text{ °C (+32 °F)}$  |  $T_a: 0\text{ °C (+32 °F)}$

**Aluminum housing, coated**Aluminum housing; process temperature  $-20$  to  $+150$  °C ( $-4$  to  $+302$  °F)

A0032024

▣ 22 Aluminum housing, coated; process temperature  $-20$  to  $+150$  °C ( $-4$  to  $+302$  °F)

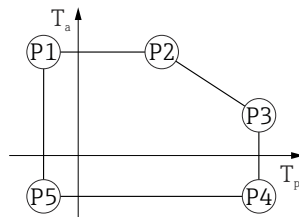
$$\begin{aligned} P1 &= T_p: -20 \text{ °C } (-4 \text{ °F}) \mid T_a: +79 \text{ °C } (+174 \text{ °F}) \\ P2 &= T_p: +79 \text{ °C } (+174 \text{ °F}) \mid T_a: +79 \text{ °C } (+174 \text{ °F}) \\ P3 &= T_p: +150 \text{ °C } (+302 \text{ °F}) \mid T_a: +53 \text{ °C } (+127 \text{ °F}) \\ P4 &= T_p: +150 \text{ °C } (+302 \text{ °F}) \mid T_a: -20 \text{ °C } (-4 \text{ °F}) \\ P5 &= T_p: -20 \text{ °C } (-4 \text{ °F}) \mid T_a: -20 \text{ °C } (-4 \text{ °F}) \end{aligned}$$

Aluminum housing; process temperature  $-20$  to  $+200$  °C ( $-4$  to  $+392$  °F)

A0032024

▣ 23 Aluminum housing, coated; process temperature  $-20$  to  $+200$  °C ( $-4$  to  $+392$  °F)

$$\begin{aligned} P1 &= T_p: -20 \text{ °C } (-4 \text{ °F}) \mid T_a: +79 \text{ °C } (+174 \text{ °F}) \\ P2 &= T_p: +79 \text{ °C } (+174 \text{ °F}) \mid T_a: +79 \text{ °C } (+174 \text{ °F}) \\ P3 &= T_p: +200 \text{ °C } (+392 \text{ °F}) \mid T_a: +47 \text{ °C } (+117 \text{ °F}) \\ P4 &= T_p: +200 \text{ °C } (+392 \text{ °F}) \mid T_a: -20 \text{ °C } (-4 \text{ °F}) \\ P5 &= T_p: -20 \text{ °C } (-4 \text{ °F}) \mid T_a: -20 \text{ °C } (-4 \text{ °F}) \end{aligned}$$

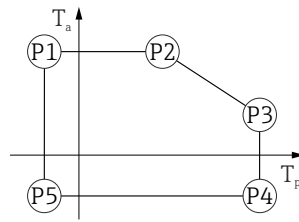
Aluminum housing; process temperature  $-40$  to  $+80$  °C ( $-40$  to  $+176$  °F)

A0032024

▣ 24 Aluminum housing, coated; process temperature  $-40$  to  $+80$  °C ( $-40$  to  $+176$  °F)

$$\begin{aligned} P1 &= T_p: -40 \text{ °C } (-40 \text{ °F}) \mid T_a: +79 \text{ °C } (+174 \text{ °F}) \\ P2 &= T_p: +79 \text{ °C } (+174 \text{ °F}) \mid T_a: +79 \text{ °C } (+174 \text{ °F}) \\ P3 &= T_p: +80 \text{ °C } (+176 \text{ °F}) \mid T_a: +79 \text{ °C } (+174 \text{ °F}) \\ P4 &= T_p: +80 \text{ °C } (+176 \text{ °F}) \mid T_a: -40 \text{ °C } (-40 \text{ °F}) \\ P5 &= T_p: -40 \text{ °C } (-40 \text{ °F}) \mid T_a: -40 \text{ °C } (-40 \text{ °F}) \end{aligned}$$

Aluminum housing; process temperature  $-40$  to  $+130$  °C ( $-40$  to  $+266$  °F)

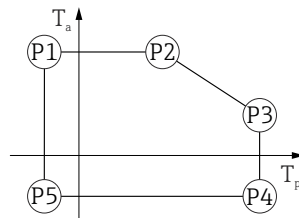


A0032024

▣ 25 Aluminum housing, coated; process temperature  $-40$  to  $+130$  °C ( $-40$  to  $+266$  °F)

- P1 =  $T_p: -40$  °C ( $-40$  °F) |  $T_a: +79$  °C ( $+174$  °F)
- P2 =  $T_p: +79$  °C ( $+174$  °F) |  $T_a: +79$  °C ( $+174$  °F)
- P3 =  $T_p: +130$  °C ( $+266$  °F) |  $T_a: +55$  °C ( $+131$  °F)
- P4 =  $T_p: +130$  °C ( $+266$  °F) |  $T_a: -40$  °C ( $-40$  °F)
- P5 =  $T_p: -40$  °C ( $-40$  °F) |  $T_a: -40$  °C ( $-40$  °F)

Aluminum housing; process temperature  $-40$  to  $+150$  °C ( $-40$  to  $+302$  °F)

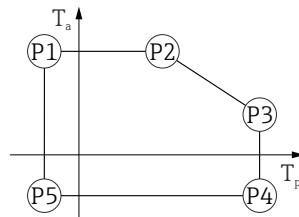


A0032024

▣ 26 Aluminum housing, coated; process temperature  $-40$  to  $+150$  °C ( $-40$  to  $+302$  °F)

- P1 =  $T_p: -40$  °C ( $-40$  °F) |  $T_a: +79$  °C ( $+174$  °F)
- P2 =  $T_p: +79$  °C ( $+174$  °F) |  $T_a: +79$  °C ( $+174$  °F)
- P3 =  $T_p: +150$  °C ( $+302$  °F) |  $T_a: +53$  °C ( $+127$  °F)
- P4 =  $T_p: +150$  °C ( $+302$  °F) |  $T_a: -40$  °C ( $-40$  °F)
- P5 =  $T_p: -40$  °C ( $-40$  °F) |  $T_a: -40$  °C ( $-40$  °F)

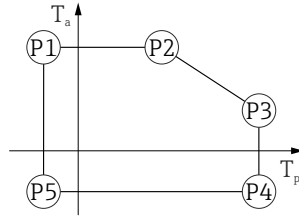
Aluminum housing; process temperature  $-40$  to  $+200$  °C ( $-40$  to  $+392$  °F)



A0032024

▣ 27 Aluminum housing, coated; process temperature  $-40$  to  $+200$  °C ( $-40$  to  $+392$  °F)

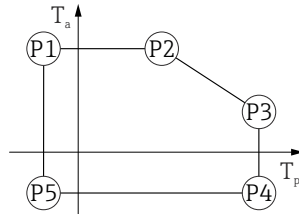
- P1 =  $T_p: -40$  °C ( $-40$  °F) |  $T_a: +79$  °C ( $+174$  °F)
- P2 =  $T_p: +79$  °C ( $+174$  °F) |  $T_a: +79$  °C ( $+174$  °F)
- P3 =  $T_p: +200$  °C ( $+392$  °F) |  $T_a: +47$  °C ( $+117$  °F)
- P4 =  $T_p: +200$  °C ( $+392$  °F) |  $T_a: -40$  °C ( $-40$  °F)
- P5 =  $T_p: -40$  °C ( $-40$  °F) |  $T_a: -40$  °C ( $-40$  °F)

**316L housing**316L housing; process temperature  $-20$  to  $+150$  °C ( $-4$  to  $+302$  °F)

A0032024

▣ 28 316L housing; process temperature  $-20$  to  $+150$  °C ( $-4$  to  $+302$  °F)

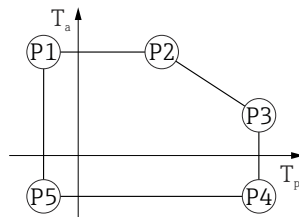
P1	=	$T_p$ :	$-20$ °C ( $-4$ °F)		$T_a$ :	$+77$ °C ( $+171$ °F)
P2	=	$T_p$ :	$+77$ °C ( $+171$ °F)		$T_a$ :	$+77$ °C ( $+171$ °F)
P3	=	$T_p$ :	$+150$ °C ( $+302$ °F)		$T_a$ :	$+43$ °C ( $+109$ °F)
P4	=	$T_p$ :	$+150$ °C ( $+302$ °F)		$T_a$ :	$-20$ °C ( $-4$ °F)
P5	=	$T_p$ :	$-20$ °C ( $-4$ °F)		$T_a$ :	$-20$ °C ( $-4$ °F)

316L housing; process temperature  $-20$  to  $+200$  °C ( $-4$  to  $+392$  °F)

A0032024

▣ 29 316L housing; process temperature  $-20$  to  $+200$  °C ( $-4$  to  $+392$  °F)

P1	=	$T_p$ :	$-20$ °C ( $-4$ °F)		$T_a$ :	$+77$ °C ( $+171$ °F)
P2	=	$T_p$ :	$+77$ °C ( $+171$ °F)		$T_a$ :	$+77$ °C ( $+171$ °F)
P3	=	$T_p$ :	$+200$ °C ( $+392$ °F)		$T_a$ :	$+38$ °C ( $+100$ °F)
P4	=	$T_p$ :	$+200$ °C ( $+392$ °F)		$T_a$ :	$-20$ °C ( $-4$ °F)
P5	=	$T_p$ :	$-20$ °C ( $-4$ °F)		$T_a$ :	$-20$ °C ( $-4$ °F)

316L housing; process temperature  $-40$  to  $+80$  °C ( $-40$  to  $+176$  °F)

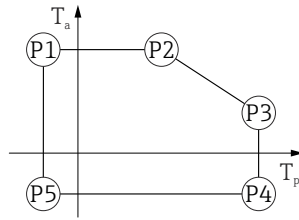
A0032024

▣ 30 316L housing; process temperature  $-40$  to  $+80$  °C ( $-40$  to  $+176$  °F)

P1	=	$T_p$ :	$-40$ °C ( $-40$ °F)		$T_a$ :	$+77$ °C ( $+171$ °F)
P2	=	$T_p$ :	$+77$ °C ( $+171$ °F)		$T_a$ :	$+77$ °C ( $+171$ °F)
P3	=	$T_p$ :	$+80$ °C ( $+176$ °F)		$T_a$ :	$+77$ °C ( $+171$ °F)
P4	=	$T_p$ :	$+80$ °C ( $+176$ °F)		$T_a$ :	$-40$ °C ( $-40$ °F)
P5	=	$T_p$ :	$-40$ °C ( $-40$ °F)		$T_a$ :	$-40$ °C ( $-40$ °F)



316L housing; process temperature  $-40$  to  $+130$  °C ( $-40$  to  $+266$  °F)

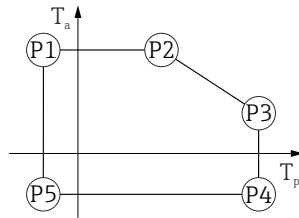


A0032024

31 316L housing; process temperature  $-40$  to  $+130$  °C ( $-40$  to  $+266$  °F)

- P1 =  $T_p: -40$  °C ( $-40$  °F) |  $T_a: +77$  °C ( $+171$  °F)
- P2 =  $T_p: +77$  °C ( $+171$  °F) |  $T_a: +77$  °C ( $+171$  °F)
- P3 =  $T_p: +130$  °C ( $+266$  °F) |  $T_a: +54$  °C ( $+129$  °F)
- P4 =  $T_p: +130$  °C ( $+266$  °F) |  $T_a: -40$  °C ( $-40$  °F)
- P5 =  $T_p: -40$  °C ( $-40$  °F) |  $T_a: -40$  °C ( $-40$  °F)

316L housing; process temperature  $-40$  to  $+150$  °C ( $-40$  to  $+302$  °F)

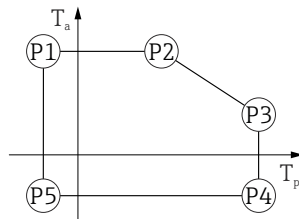


A0032024

32 316L housing; process temperature range:  $-40$  to  $+150$  °C ( $-40$  to  $+302$  °F)

- P1 =  $T_p: -40$  °C ( $-40$  °F) |  $T_a: +77$  °C ( $+171$  °F)
- P2 =  $T_p: +77$  °C ( $+171$  °F) |  $T_a: +77$  °C ( $+171$  °F)
- P3 =  $T_p: +150$  °C ( $+302$  °F) |  $T_a: +43$  °C ( $+109$  °F)
- P4 =  $T_p: +150$  °C ( $+302$  °F) |  $T_a: -40$  °C ( $-40$  °F)
- P5 =  $T_p: -40$  °C ( $-40$  °F) |  $T_a: -40$  °C ( $-40$  °F)

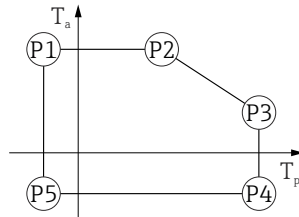
316L housing; process temperature  $-40$  to  $+200$  °C ( $-40$  to  $+392$  °F)



A0032024

33 316L housing; process temperature  $-40$  to  $+200$  °C ( $-40$  to  $+392$  °F)

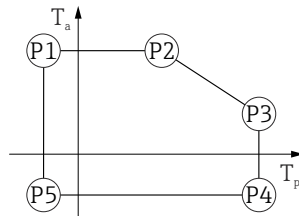
- P1 =  $T_p: -40$  °C ( $-40$  °F) |  $T_a: +77$  °C ( $+171$  °F)
- P2 =  $T_p: +77$  °C ( $+171$  °F) |  $T_a: +77$  °C ( $+171$  °F)
- P3 =  $T_p: +200$  °C ( $+392$  °F) |  $T_a: +38$  °C ( $+100$  °F)
- P4 =  $T_p: +200$  °C ( $+392$  °F) |  $T_a: -40$  °C ( $-40$  °F)
- P5 =  $T_p: -40$  °C ( $-40$  °F) |  $T_a: -40$  °C ( $-40$  °F)

**316L housing, hygiene**316L housing, hygiene; process temperature  $-20$  to  $+150$  °C ( $-4$  to  $+302$  °F)

A0032024

▣ 34 316L housing, hygiene; process temperature  $-20$  to  $+150$  °C ( $-4$  to  $+302$  °F)

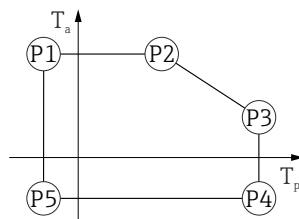
P1	=	$T_p$ :	$-20$ °C ( $-4$ °F)		$T_a$ :	$+76$ °C ( $+169$ °F)
P2	=	$T_p$ :	$+76$ °C ( $+169$ °F)		$T_a$ :	$+76$ °C ( $+169$ °F)
P3	=	$T_p$ :	$+150$ °C ( $+302$ °F)		$T_a$ :	$+41$ °C ( $+106$ °F)
P4	=	$T_p$ :	$+150$ °C ( $+302$ °F)		$T_a$ :	$-20$ °C ( $-4$ °F)
P5	=	$T_p$ :	$-20$ °C ( $-4$ °F)		$T_a$ :	$-20$ °C ( $-4$ °F)

316L housing, hygiene; process temperature  $-20$  to  $+200$  °C ( $-4$  to  $+392$  °F)

A0032024

▣ 35 316L housing, hygiene; process temperature  $-20$  to  $+200$  °C ( $-4$  to  $+392$  °F)

P1	=	$T_p$ :	$-20$ °C ( $-4$ °F)		$T_a$ :	$+76$ °C ( $+169$ °F)
P2	=	$T_p$ :	$+76$ °C ( $+169$ °F)		$T_a$ :	$+76$ °C ( $+169$ °F)
P3	=	$T_p$ :	$+200$ °C ( $+392$ °F)		$T_a$ :	$+32$ °C ( $+90$ °F)
P4	=	$T_p$ :	$+200$ °C ( $+392$ °F)		$T_a$ :	$-20$ °C ( $-4$ °F)
P5	=	$T_p$ :	$-20$ °C ( $-4$ °F)		$T_a$ :	$-20$ °C ( $-4$ °F)

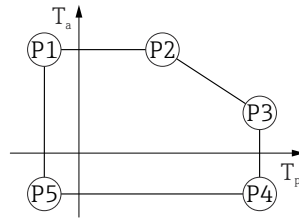
316L housing, hygiene; process temperature  $-40$  to  $+80$  °C ( $-40$  to  $+176$  °F)

A0032024

▣ 36 316L housing, hygiene; process temperature  $-40$  to  $+80$  °C ( $-40$  to  $+176$  °F)

P1	=	$T_p$ :	$-40$ °C ( $-40$ °F)		$T_a$ :	$+76$ °C ( $+169$ °F)
P2	=	$T_p$ :	$+76$ °C ( $+169$ °F)		$T_a$ :	$+76$ °C ( $+169$ °F)
P3	=	$T_p$ :	$+80$ °C ( $+176$ °F)		$T_a$ :	$+75$ °C ( $+167$ °F)
P4	=	$T_p$ :	$+80$ °C ( $+176$ °F)		$T_a$ :	$-40$ °C ( $-40$ °F)
P5	=	$T_p$ :	$-40$ °C ( $-40$ °F)		$T_a$ :	$-40$ °C ( $-40$ °F)

316L housing, hygiene; process temperature  $-40$  to  $+130$  °C ( $-40$  to  $+266$  °F)

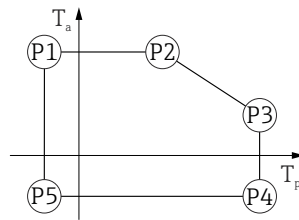


A0032024

37 316L housing, hygiene; process temperature  $-40$  to  $+130$  °C ( $-40$  to  $+266$  °F)

- P1 =  $T_p$ :  $-40$  °C ( $-40$  °F) |  $T_a$ :  $+76$  °C ( $+169$  °F)
- P2 =  $T_p$ :  $+76$  °C ( $+169$  °F) |  $T_a$ :  $+76$  °C ( $+169$  °F)
- P3 =  $T_p$ :  $+130$  °C ( $+266$  °F) |  $T_a$ :  $+55$  °C ( $+131$  °F)
- P4 =  $T_p$ :  $+130$  °C ( $+266$  °F) |  $T_a$ :  $-40$  °C ( $-40$  °F)
- P5 =  $T_p$ :  $-40$  °C ( $-40$  °F) |  $T_a$ :  $-40$  °C ( $-40$  °F)

316L housing, hygiene; process temperature  $-40$  to  $+150$  °C ( $-40$  to  $+302$  °F)

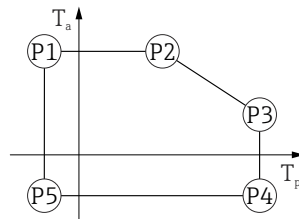


A0032024

38 316L housing, hygiene; process temperature range:  $-40$  to  $+150$  °C ( $-40$  to  $+302$  °F)

- P1 =  $T_p$ :  $-40$  °C ( $-40$  °F) |  $T_a$ :  $+76$  °C ( $+169$  °F)
- P2 =  $T_p$ :  $+76$  °C ( $+169$  °F) |  $T_a$ :  $+76$  °C ( $+169$  °F)
- P3 =  $T_p$ :  $+150$  °C ( $+302$  °F) |  $T_a$ :  $+41$  °C ( $+106$  °F)
- P4 =  $T_p$ :  $+150$  °C ( $+302$  °F) |  $T_a$ :  $-40$  °C ( $-40$  °F)
- P5 =  $T_p$ :  $-40$  °C ( $-40$  °F) |  $T_a$ :  $-40$  °C ( $-40$  °F)

316L housing, hygiene; process temperature  $-40$  to  $+200$  °C ( $-40$  to  $+392$  °F)



A0032024

39 316L housing, hygiene; process temperature  $-40$  to  $+200$  °C ( $-40$  to  $+392$  °F)

- P1 =  $T_p$ :  $-40$  °C ( $-40$  °F) |  $T_a$ :  $+76$  °C ( $+169$  °F)
- P2 =  $T_p$ :  $+76$  °C ( $+169$  °F) |  $T_a$ :  $+76$  °C ( $+169$  °F)
- P3 =  $T_p$ :  $+200$  °C ( $+392$  °F) |  $T_a$ :  $+32$  °C ( $+90$  °F)
- P4 =  $T_p$ :  $+200$  °C ( $+392$  °F) |  $T_a$ :  $-40$  °C ( $-40$  °F)
- P5 =  $T_p$ :  $-40$  °C ( $-40$  °F) |  $T_a$ :  $-40$  °C ( $-40$  °F)

Storage temperature

- Without LCD display:  $-40$  to  $+90$  °C ( $-40$  to  $+194$  °F)
- With LCD display:  $-40$  to  $+85$  °C ( $-40$  to  $+185$  °F)

Climate class

DIN EN 60068-2-38 (test Z/AD)

Installation height as per IEC61010-1 Ed.3

Generally up to 5 000 m (16 404 ft) above sea level

<b>Degree of protection</b>	Testing in accordance with IEC 60529 and NEMA 250
<b>Housing</b>	IP66/68, NEMA TYPE 4X/6P
	IP68 test condition: 1.83 m Under water for 24 hours.
<b>Cable entries</b>	<ul style="list-style-type: none"> <li>■ M20 coupling, plastic, IP66/68 NEMA type 4X/6P</li> <li>■ M20 coupling, nickel-plated brass, IP66/68 NEMA type 4X/6P</li> <li>■ M20 coupling, 316L, IP66/68 NEMA type 4X/6P</li> <li>■ M20 coupling, hygiene, IP66/68/69 NEMA type 4X/6P</li> <li>■ M20 thread, IP66/68 NEMA type 4X/6P</li> <li>■ G ½ thread, IP66/68 NEMA TYPE 4X/6P <ul style="list-style-type: none"> <li>If the G ½ thread is selected, the device is provided with an M20 thread as standard and an M20 adapter to G M20 ½ is included, along with the associated documentation</li> </ul> </li> <li>■ NPT ½ thread, IP66/68 NEMA TYPE 4X/6P</li> <li>■ M12 plug <ul style="list-style-type: none"> <li>■ If the housing is closed and the connecting cable is plugged in: IP66/67 NEMA type 4X</li> <li>■ If the housing is open or the connecting cable is not plugged in: IP20, NEMA type 1</li> </ul> </li> </ul>
	<p><b>NOTICE</b></p> <p><b>M12 plug: Loss of IP protection class due to incorrect installation!</b></p> <ul style="list-style-type: none"> <li>▶ The degree of protection only applies if the connecting cable used is plugged in and screwed tight.</li> <li>▶ The degree of protection only applies if the connecting cable used is specified according to IP67 NEMA 4X.</li> <li>▶ The protection classes are only fulfilled if the dummy cap is used or the cable is connected.</li> </ul>
<b>Vibration resistance</b>	DIN EN 60068-2-64 / IEC 60068-2-64 for 5 to 2 000 Hz: 1.25 (m/s <sup>2</sup> )/Hz
<b>Electromagnetic compatibility (EMC)</b>	<ul style="list-style-type: none"> <li>■ Electromagnetic compatibility as per EN 61326 series and NAMUR recommendation EMC (NE21)</li> <li>■ Maximum measured error during EMC testing: &lt; 0.5 % of the current digital measured value</li> </ul> <p>For more details refer to the EU Declaration of Conformity.</p>

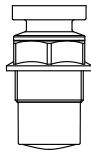
## Process

<b>Process pressure range</b>	<p><b>⚠ WARNING</b></p> <p><b>The maximum pressure for the device depends on the lowest-rated component with regard to pressure (components are: process connection, optional mounted parts or accessories).</b></p> <ul style="list-style-type: none"> <li>▶ Only operate the device within the specified limits for the components!</li> <li>▶ MWP (Maximum Working Pressure): The MWP is specified on the nameplate. This value refers to a reference temperature of +20 °C (+68 °F) and may be applied to the device for an unlimited time. Note temperature dependence of MWP. For flanges, refer to the following standards for the permitted pressure values at higher temperatures: EN 1092-1 (with regard to their stability/temperature property, the materials 1.4435 and 1.4404 are grouped together under EN 1092-1; the chemical composition of the two materials can be identical), ASME B16.5, JIS B2220 (the latest version of the standard applies in each case). MWP data that deviate from this are provided in the relevant sections of the Technical Information.</li> <li>▶ The Pressure Equipment Directive (2014/68/EU) uses the abbreviation <b>PS</b>. This corresponds to the maximum working pressure (MWP) of the device.</li> </ul>
-------------------------------	--

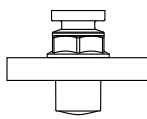
The following tables show the dependencies between the seal material, process temperature (T<sub>P</sub>) and process pressure range for each process connection that can be selected for the antenna used.


**Encapsulated antenna, PVDF, 40 mm (1.5 in)**

Process connection thread 1-1/2"

	Seal	T <sub>p</sub>	Process pressure range
 <p>A0047831</p>	PVDF encapsulated	-40 to +80 °C (-40 to +176 °F)	-1 to 3 bar (-14.5 to 43.5 psi)
	PVDF encapsulated	+80 to +130 °C (+176 to +266 °F)	Atmospheric pressure
	<b>The following temperature restriction applies to devices with the dust ignition-proof approval category 1D, 2D or 3D</b>		
	PVDF encapsulated	-20 to +80 °C (-4 to +176 °F)	-1 to 3 bar (-14.5 to 43.5 psi)

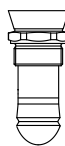
Process connection UNI flange PP

	Seal	T <sub>p</sub>	Process pressure range
 <p>A0047947</p>	PVDF encapsulated	-40 to +80 °C (-40 to +176 °F)	-1 to 3 bar (-14.5 to 43.5 psi)
	<b>The following temperature restriction applies to devices with the dust ignition-proof approval category 1D, 2D or 3D</b>		
	PVDF encapsulated	-20 to +80 °C (-4 to +176 °F)	-1 to 3 bar (-14.5 to 43.5 psi)

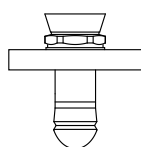
 The pressure range may be further restricted in the event of a CRN approval.

**Drip-off antenna 50 mm (2 in)**

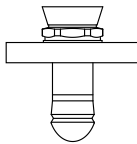
Process connection thread

	Seal	T <sub>p</sub>	Process pressure range
 <p>A0047447</p>	FKM Viton GLT	-40 to +130 °C (-40 to +266 °F)	-1 to 16 bar (-14.5 to 232 psi)
	FKM Viton GLT	-40 to +150 °C (-40 to +302 °F)	-1 to 16 bar (-14.5 to 232 psi)
	FKM Viton GLT	-40 to +200 °C (-40 to +392 °F)	-1 to 16 bar (-14.5 to 232 psi)
	EPDM	-40 to +130 °C (-40 to +266 °F)	-1 to 16 bar (-14.5 to 232 psi)
	HNBR	-20 to +150 °C (-4 to +302 °F)	-1 to 16 bar (-14.5 to 232 psi)
	FFKM Kalrez	-20 to +150 °C (-4 to +302 °F)	-1 to 16 bar (-14.5 to 232 psi)
	FFKM Kalrez	-20 to +200 °C (-4 to +392 °F)	-1 to 16 bar (-14.5 to 232 psi)

Process connection UNI flange PP

	Seal	T <sub>p</sub>	Process pressure range
 <p>A0047726</p>	FKM Viton GLT	-40 to +80 °C (-40 to +176 °F)	-1 to 3 bar (-14.5 to 43.5 psi)
	EPDM	-40 to +80 °C (-40 to +176 °F)	-1 to 3 bar (-14.5 to 43.5 psi)
	<b>The following temperature restriction applies to devices with the HNBR or FFKM Kalrez O-ring</b>		
	HNBR	-20 to +80 °C (-4 to +176 °F)	-1 to 3 bar (-14.5 to 43.5 psi)
	FFKM Kalrez	-20 to +80 °C (-4 to +176 °F)	-1 to 3 bar (-14.5 to 43.5 psi)

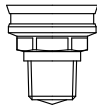
Process connection UNI flange 316L

	Seal	T <sub>p</sub>	Process pressure range
 <small>A0047726</small>	FKM Viton GLT	-40 to +130 °C (-40 to +266 °F)	-1 to 3 bar (-14.5 to 43.5 psi)
	FKM Viton GLT	-40 to +150 °C (-40 to +302 °F)	-1 to 3 bar (-14.5 to 43.5 psi)
	FKM Viton GLT	-40 to +200 °C (-40 to +392 °F)	-1 to 3 bar (-14.5 to 43.5 psi)
	EPDM	-40 to +130 °C (-40 to +266 °F)	-1 to 3 bar (-14.5 to 43.5 psi)
	HNBR	-20 to +150 °C (-4 to +302 °F)	-1 to 3 bar (-14.5 to 43.5 psi)
	FFKM Kalrez	-20 to +150 °C (-4 to +302 °F)	-1 to 3 bar (-14.5 to 43.5 psi)
	FFKM Kalrez	-20 to +200 °C (-4 to +392 °F)	-1 to 3 bar (-14.5 to 43.5 psi)

 The pressure range may be further restricted in the event of a CRN approval.

**Integrated antenna, PEEK, 20 mm (0.75 in)**


Process connection thread 3/4"

	Seal	T <sub>p</sub>	Process pressure range
 <small>A0047832</small>	FKM Viton GLT	-40 to +150 °C (-40 to +302 °F)	-1 to 20 bar (-14.5 to 290 psi)
	FKM Viton GLT	-40 to +200 °C (-40 to +392 °F)	-1 to 20 bar (-14.5 to 290 psi)
	FFKM Kalrez	-20 to +150 °C (-4 to +302 °F)	-1 to 20 bar (-14.5 to 290 psi)
	FFKM Kalrez	-20 to +200 °C (-4 to +392 °F)	-1 to 20 bar (-14.5 to 290 psi)

 The pressure range may be further restricted in the event of a CRN approval.

**Integrated antenna, PEEK, 40 mm (1.5 in)**

Process connection thread 1-1/2"

	Seal	T <sub>p</sub>	Process pressure range
 <small>A0047833</small>	FKM Viton GLT	-40 to +150 °C (-40 to +302 °F)	-1 to 20 bar (-14.5 to 290 psi)
	FKM Viton GLT	-40 to +200 °C (-40 to +392 °F)	-1 to 20 bar (-14.5 to 290 psi)
	FFKM Kalrez	-20 to +150 °C (-4 to +302 °F)	-1 to 20 bar (-14.5 to 290 psi)
	FFKM Kalrez	-20 to +200 °C (-4 to +392 °F)	-1 to 20 bar (-14.5 to 290 psi)

 The pressure range may be further restricted in the event of a CRN approval.

**Dielectric constant**

**For liquids**

$\epsilon_r \geq 1.2$

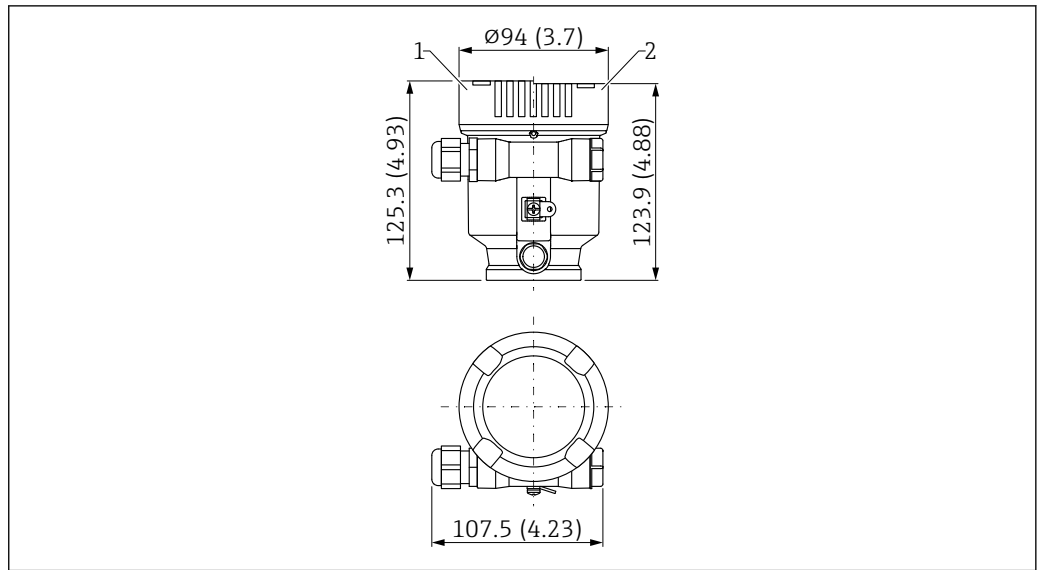
Contact Endress+Hauser for applications with lower dielectric constants than indicated.

## Mechanical construction

**Dimensions**

 The dimensions of the individual components must be added together for the total dimensions.

Single compartment housing, plastic

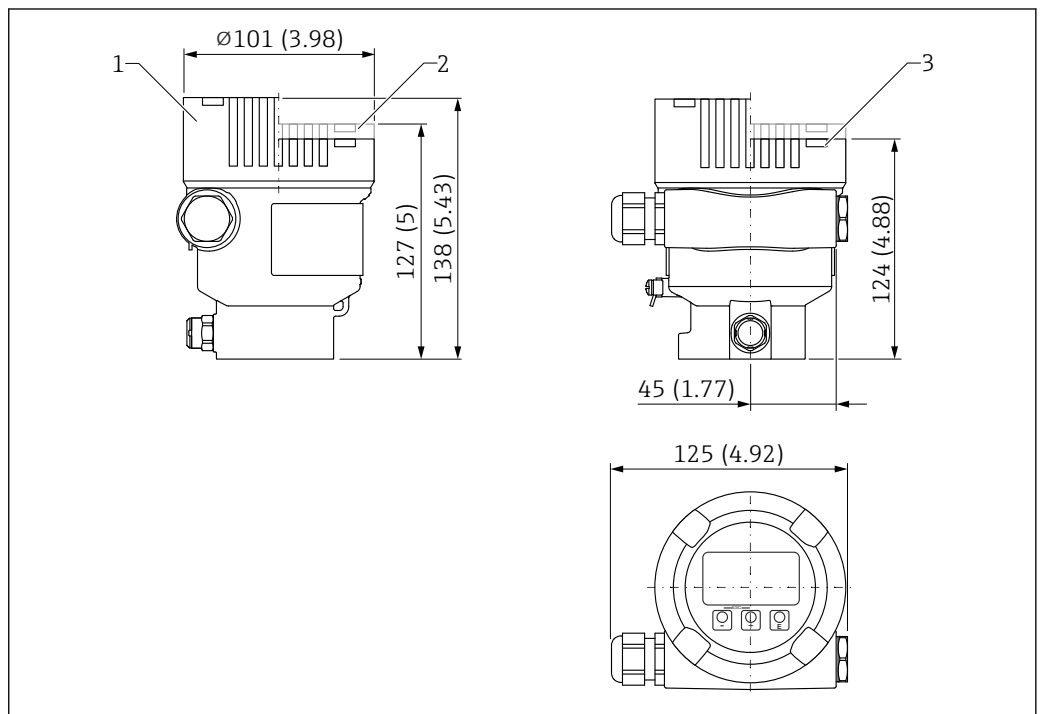


A0048768

40 Dimensions; single compartment housing, plastic; incl. M20 coupling and plug, plastic. Unit of measurement mm (in)

- 1 Height with cover comprising plastic sight glass
- 2 Height with cover without sight glass

Single compartment housing, aluminum, coated

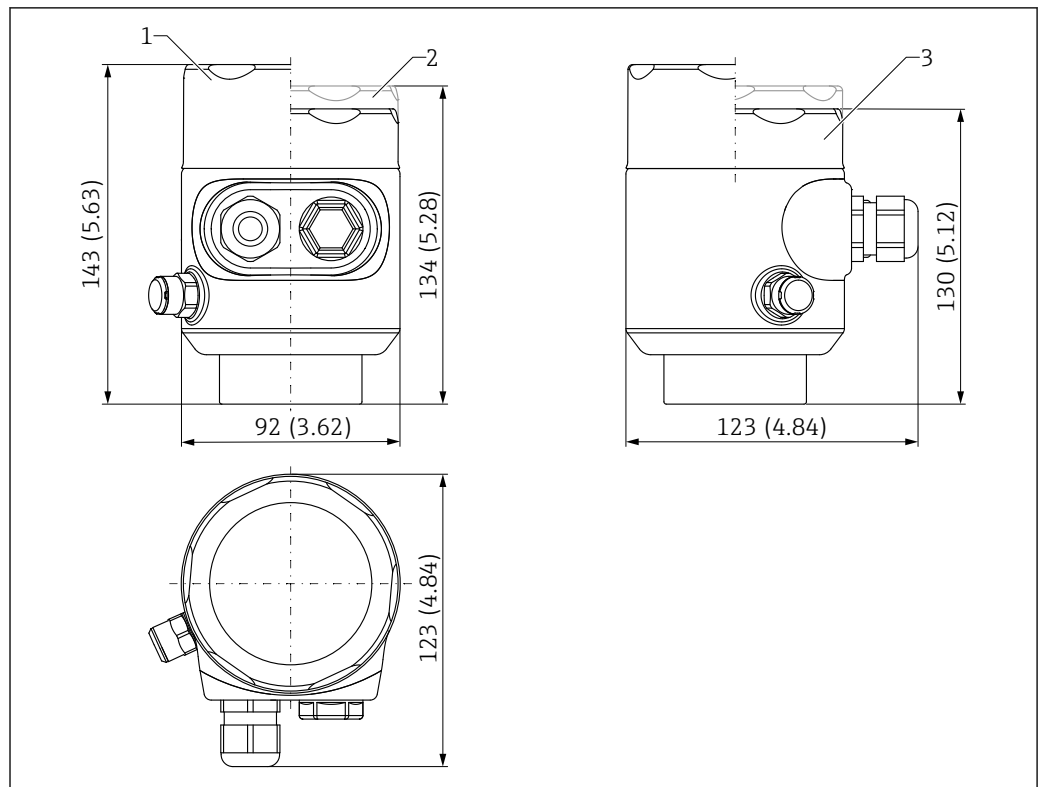


A0038380

41 Dimensions; single compartment housing, aluminum, coated; incl. M20 coupling and plug, plastic. Unit of measurement mm (in)

- 1 Height with cover comprising glass sight glass (devices for Ex d/XP, dust Ex)
- 2 Height with cover comprising plastic sight glass
- 3 Cover without sight glass

Single compartment housing, 316L, hygiene



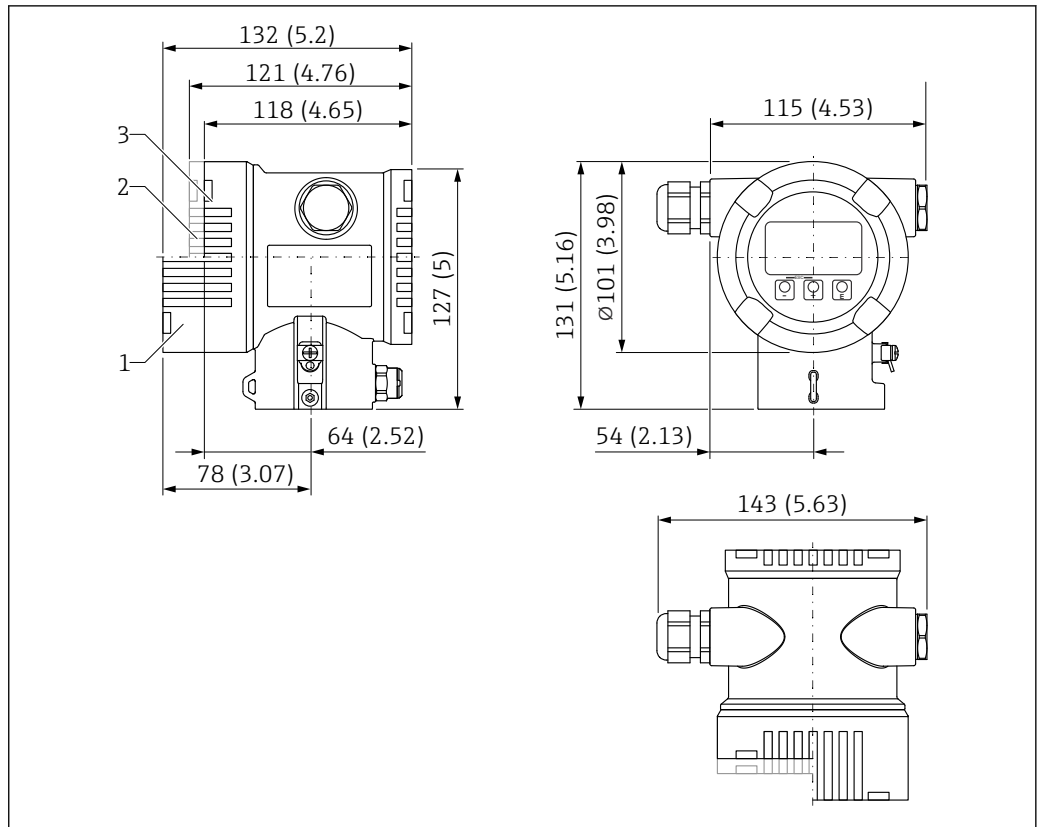
A0050364

42 Dimensions; single compartment housing, 316 L, hygiene; incl. M20 coupling and plug, plastic. Unit of measurement mm (in)

- 1 Height with cover comprising glass sight glass (dust ignition-proof)
- 2 Height with cover comprising plastic sight glass
- 3 Cover without sight glass



Dual compartment housing, aluminum, coated

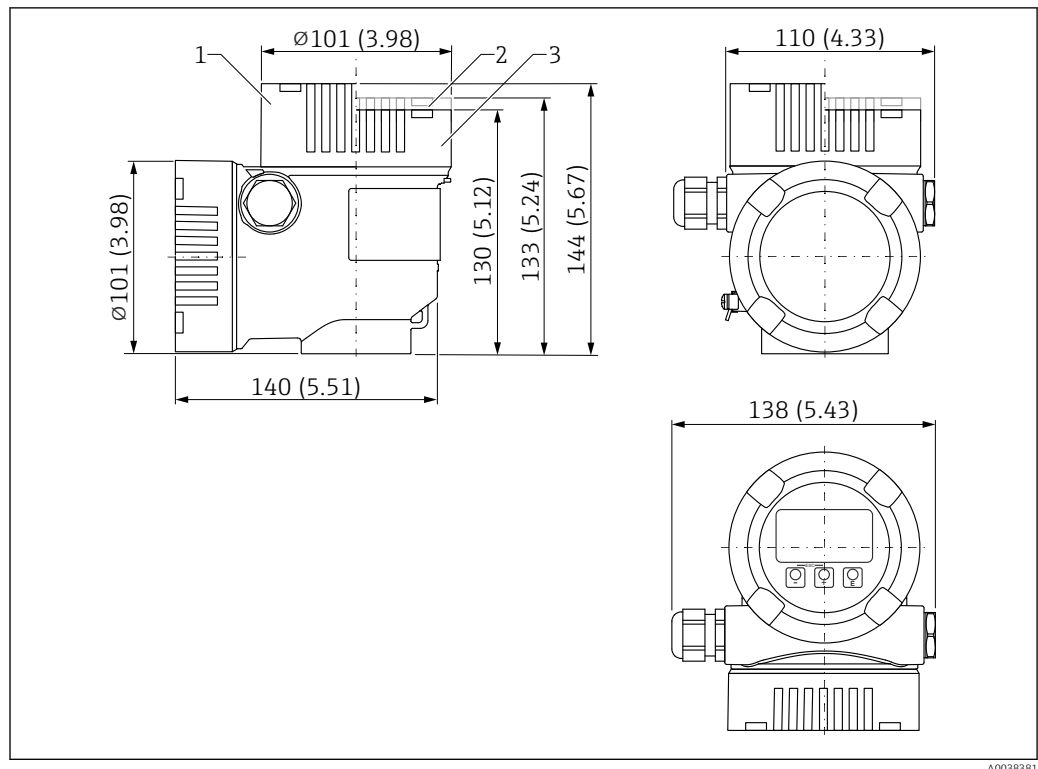


A0038377

43 Dimensions; dual compartment housing, aluminum, coated; incl. M20 coupling and plug, plastic. Unit of measurement mm (in)

- 1 Height with cover comprising glass sight glass (devices for Ex d/XP, dust Ex)
- 2 Height with cover comprising plastic sight glass
- 3 Cover without sight glass

Dual compartment housing, L-shaped, aluminum, coated

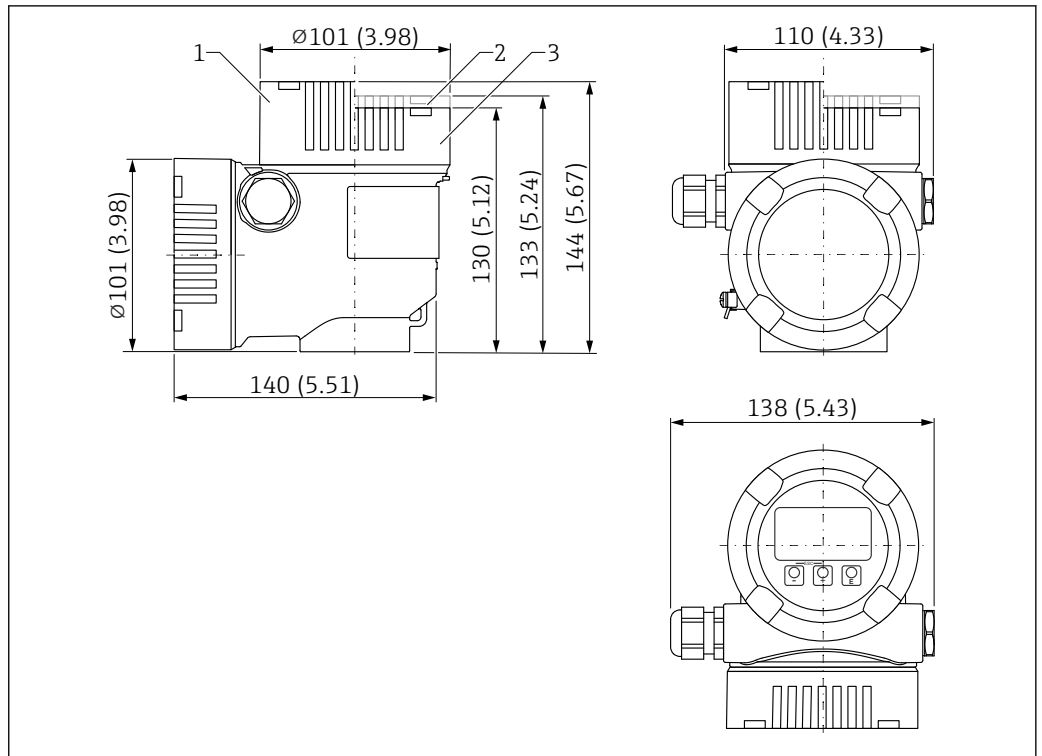


A0038381

44 Dimensions; dual compartment housing L-shaped, aluminum, coated; incl. M20 coupling and plug, plastic. Unit of measurement mm (in)

- 1 Height with cover comprising glass sight glass (devices for Ex d/XP, dust Ex)
- 2 Height with cover comprising plastic sight glass
- 3 Cover without sight glass

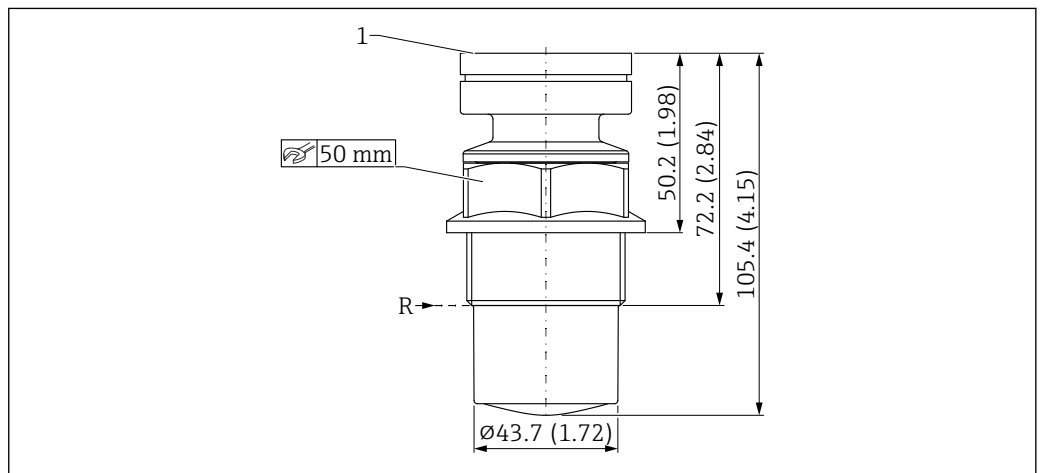
**Dual compartment housing, L-shaped, 316L**



45 Dimensions; dual compartment housing L-shaped, 316L; incl. M20 coupling and plug, plastic. Unit of measurement mm (in)

- 1 Height with cover comprising glass sight glass (devices for Ex d/XP, dust Ex)
- 2 Height with cover comprising plastic sight glass
- 3 Cover without sight glass

**Encapsulated antenna, PVDF, 40 mm (1.5 in)**



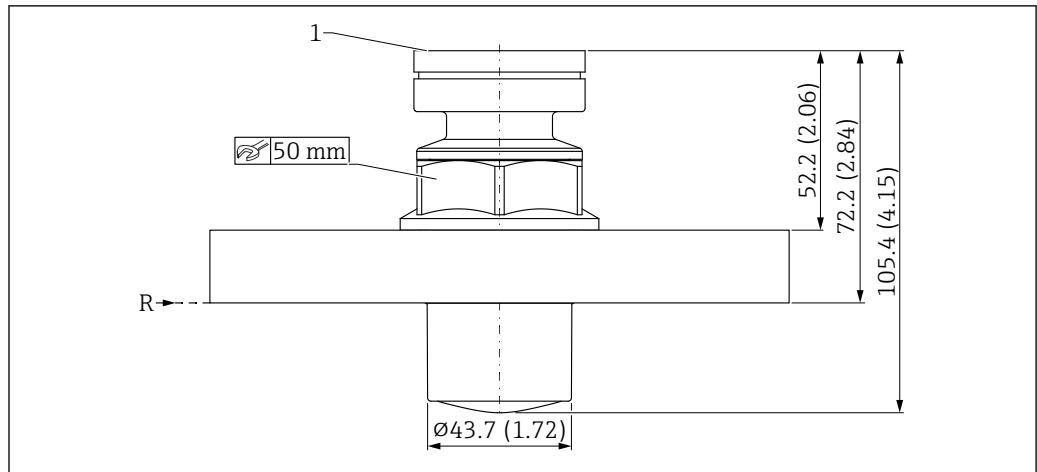
46 Dimensions of encapsulated antenna, PVDF, 40 mm (1.5 in). Unit of measurement mm (in)

- R Reference point of the measurement
- 1 Bottom edge of housing

Process connection:

- Thread ISO228 G1-1/2, PVDF
- Thread ASME MNPT1-1/2, PVDF

Encapsulated antenna, PVDF, 40 mm (1.5 in), process connection UNI flange

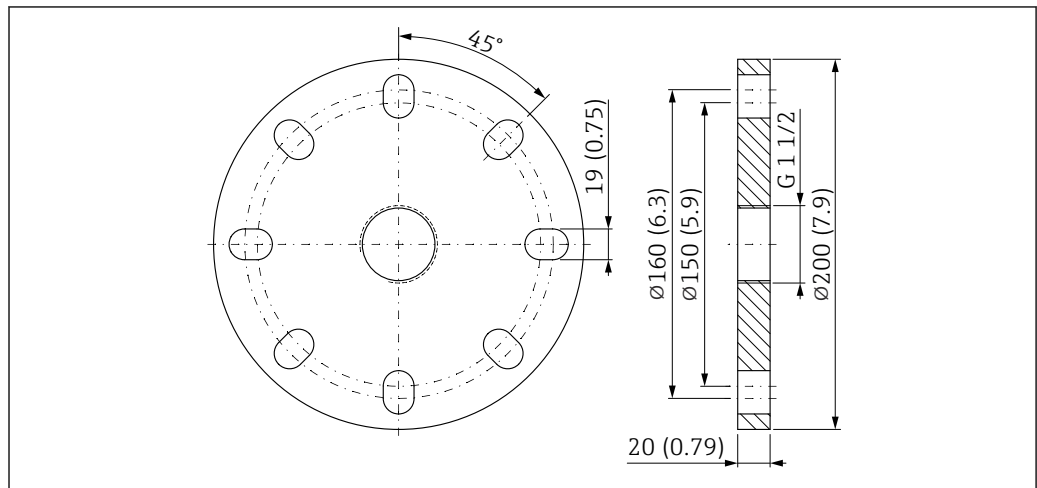


47 Dimensions of encapsulated antenna, PVDF, 40 mm (1.5 in), process connection UNI flange. Unit of measurement mm (in)

R Reference point of measurement

1 Bottom edge of housing

UNI flange 3"/DN80/80A



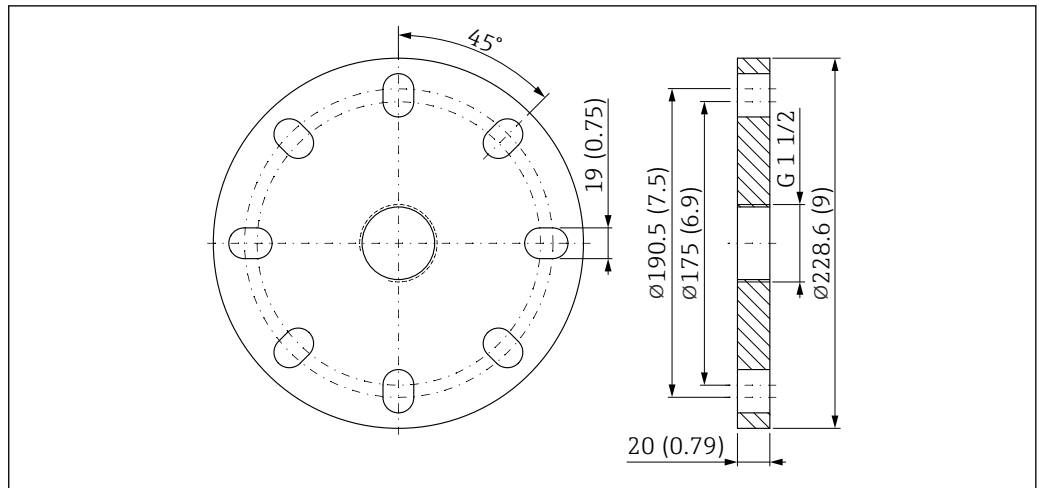
48 Dimensions of UNI flange 3"/DN80/80A. Unit of measurement mm (in)

Suitable for ASME B16.5, 3" 150lbs / EN1092-1; DN80 PN16 / JIS B2220; 10K 80A

**Material:**

PP, weight 0.50 kg (1.10 lb)

UNI flange 4"/DN100/100A



A0048848

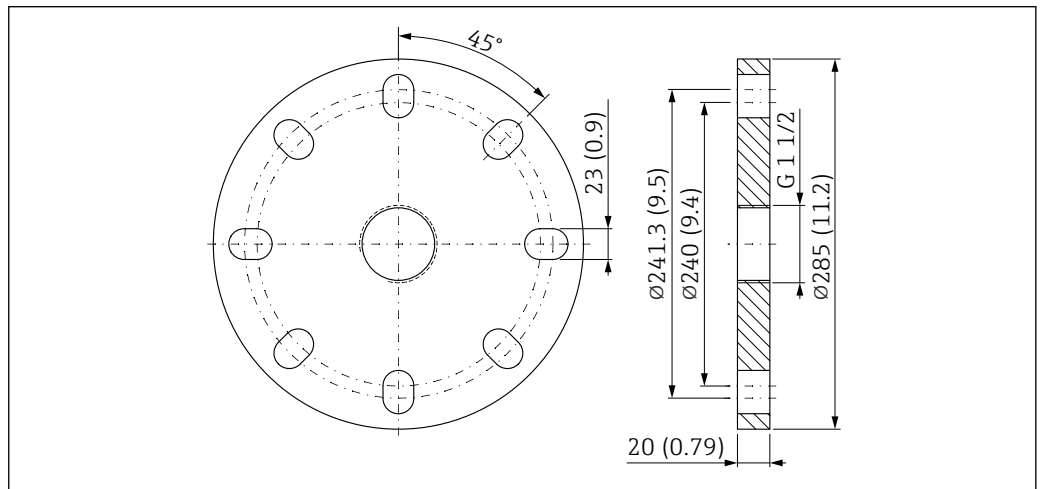
49 Dimensions of UNI flange 4"/DN100/100A. Unit of measurement mm (in)

Suitable for ASME B16.5, 4" 150lbs / EN1092-1; DN100 PN16 / JIS B2220; 10K 100A

**Material:**

PP, weight 0.70 kg (1.54 lb)

UNI flange 6"/DN150/150A



A0048849

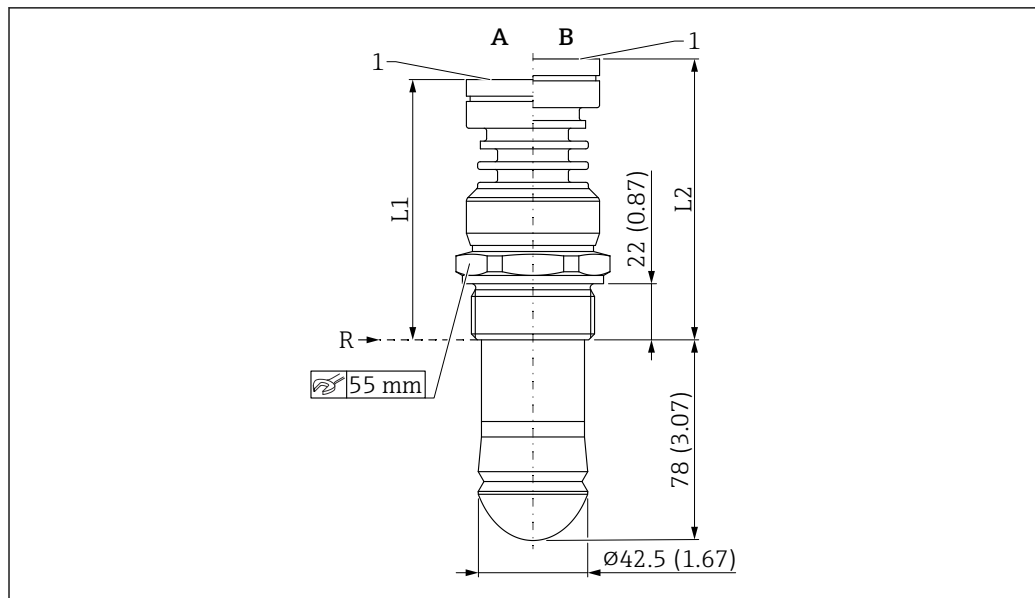
50 Dimensions of UNI flange 6"/DN150/150A. Unit of measurement mm (in)

Suitable for ASME B16.5, 6" 150lbs / EN1092-1; DN150 PN16 / JIS B2220; 10K 150A

**Material:**

PP, weight 1.00 kg (2.20 lb)

## Drip-off antenna 50 mm (2 in), threaded process connection



51 Dimensions of drip-off antenna 50 mm (2 in), threaded process connection

A Process temperature version  $\leq 150$  °C (302 °F)

B Process temperature version  $\leq 200$  °C (392 °F)

1 Bottom edge of housing

R Reference point of the measurement

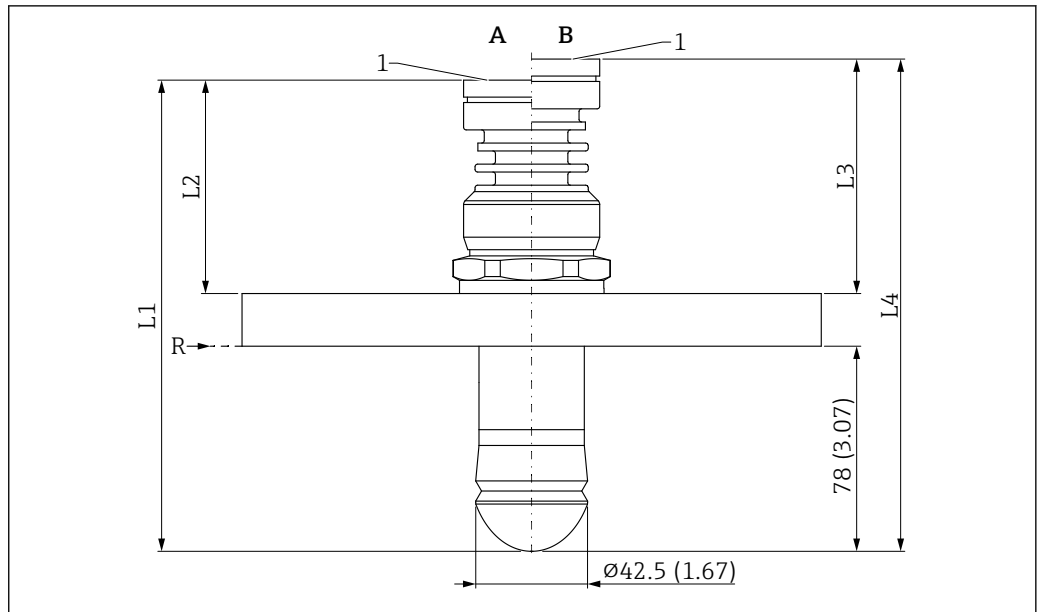
L1 97 mm (3.82 in); version with Ex d or XP approval +5 mm (+0.20 in)

L2 109 mm (4.29 in); version with Ex d or XP approval +5 mm (+0.20 in)

Process connection:

- Thread ISO228 G1- $\frac{1}{2}$ , 316L
- Thread ASME MNPT1- $\frac{1}{2}$ , 316 L

**Drip-off antenna 50 mm (2 in), UNI flange process connection**

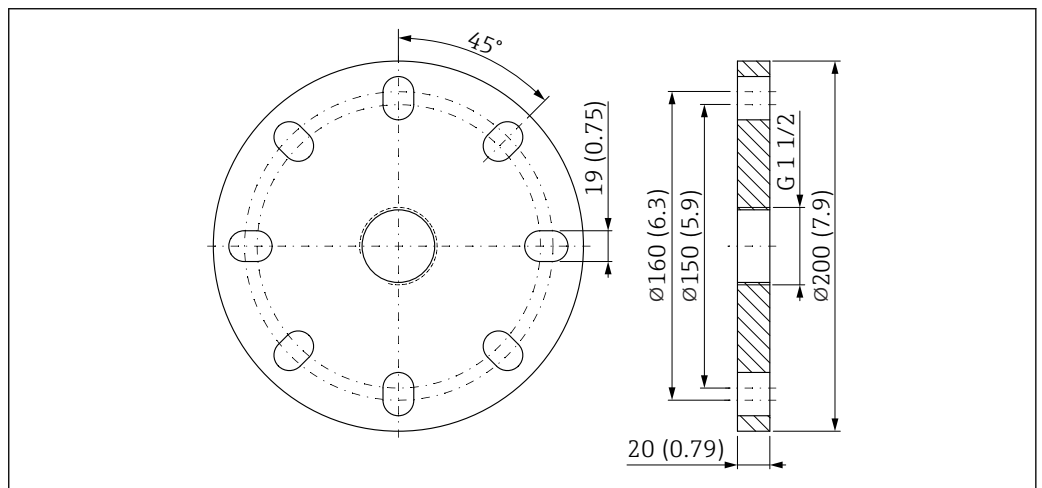


A0046480

52 Dimensions of Drip-off antenna 50 mm (2 in), UNI flange process connection. Unit of measurement mm (in)

- A Process temperature version  $\leq 150\text{ }^{\circ}\text{C}$  (302  $^{\circ}\text{F}$ )
- B Process temperature version  $\leq 200\text{ }^{\circ}\text{C}$  (392  $^{\circ}\text{F}$ )
- 1 Bottom edge of housing
- R Reference point of measurement
- L1 175 mm (6.89 in); version with Ex d or XP approval +5 mm (+0.20 in)
- L2 77 mm (3.03 in); version with Ex d or XP approval +5 mm (+0.20 in)
- L3 89 mm (3.50 in); version with Ex d or XP approval +5 mm (+0.20 in)
- L4 187 mm (7.36 in); version with Ex d or XP approval +5 mm (+0.20 in)

**UNI flange 3"/DN80/80A**



A0046847

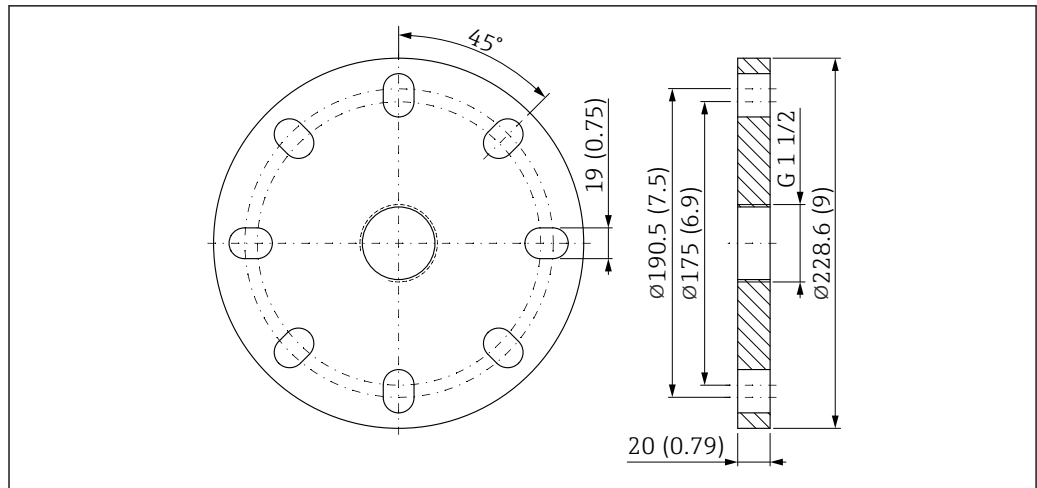
53 Dimensions of UNI flange 3"/DN80/80A. Unit of measurement mm (in)

Suitable for ASME B16.5, 3" 150lbs / EN1092-1; DN80 PN16 / JIS B2220; 10K 80A

**Material:**

- PP, weight 0.50 kg (1.10 lb)
- 316L, weight 4.3 kg (9.48 lb)

UNI flange 4"/DN100/100A



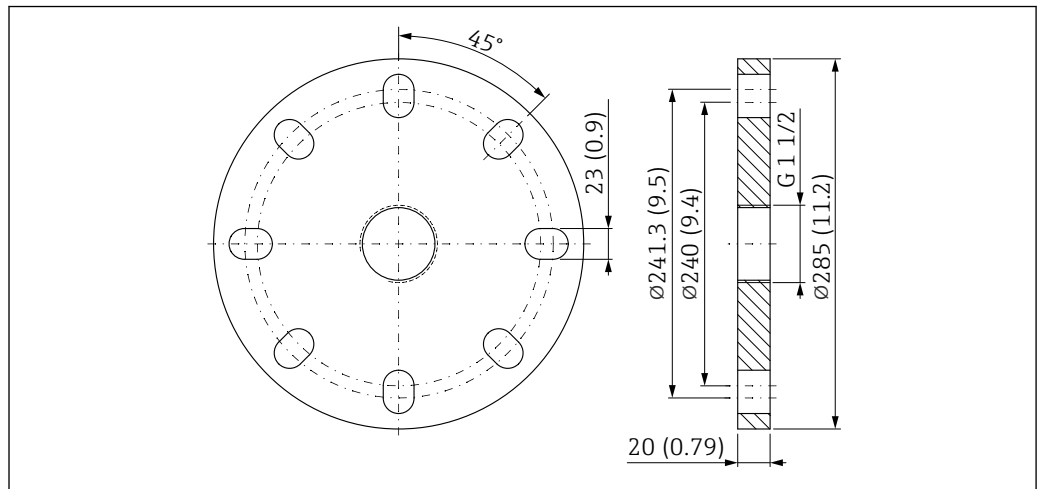
54 Dimensions of UNI flange 4"/DN100/100A. Unit of measurement mm (in)

Suitable for ASME B16.5, 4" 150lbs / EN1092-1; DN100 PN16 / JIS B2220; 10K 100A

**Material:**

- PP, weight 0.70 kg (1.54 lb)
- 316L, weight 5.80 kg (12.79 lb)

UNI flange 6"/DN150/150A



55 Dimensions of UNI flange 6"/DN150/150A. Unit of measurement mm (in)

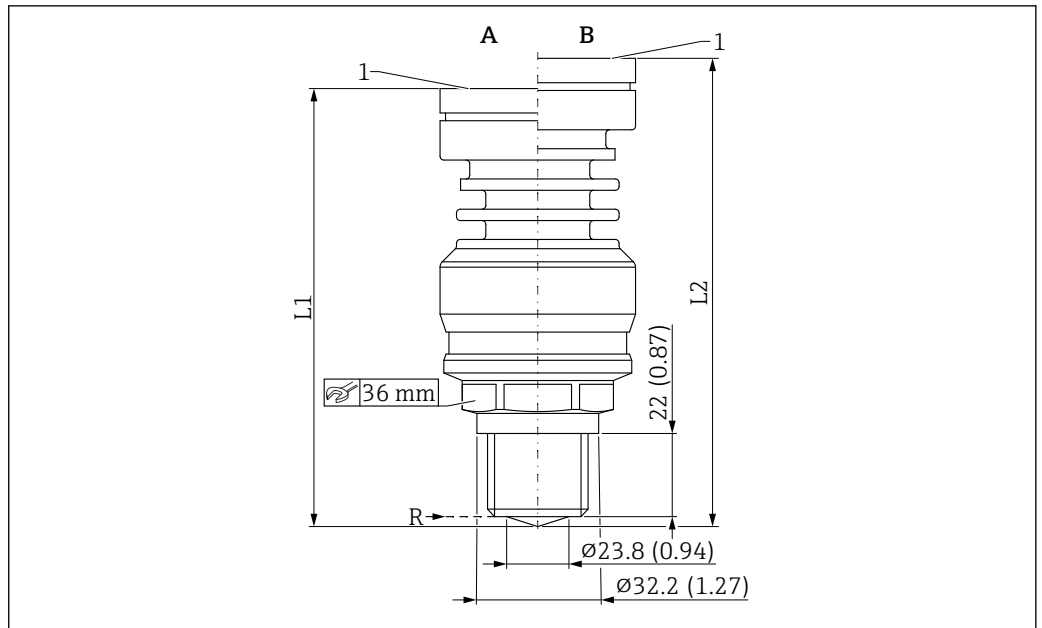
Suitable for ASME B16.5, 6" 150lbs / EN1092-1; DN150 PN16 / JIS B2220; 10K 150A

**Material:**

- PP, weight 1.00 kg (2.20 lb)
- 316L, weight 9.30 kg (20.50 lb)



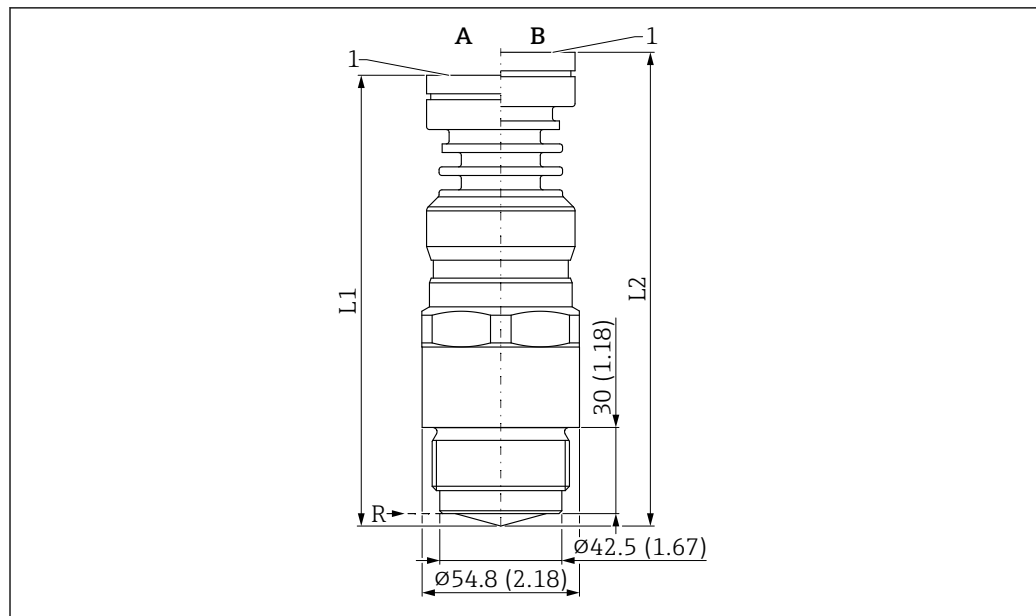
**Integrated antenna, PEEK, 20 mm (0.75 in)**



A0046481

56 Dimensions; integrated antenna, PEEK, 20 mm (0.75 in); process connection, thread 3/4". Unit of measurement mm (in)

- A Process temperature version ≤150 °C (302 °F)
- B Process temperature version ≤200 °C (392 °F)
- R Reference point of measurement
- 1 Bottom edge of housing
- L1 112 mm (4.41 in); version with Ex d or XP approval +5 mm (+0.20 in)
- L2 124 mm (4.88 in); version with Ex d or XP approval +5 mm (+0.20 in)

**Integrated antenna, PEEK, 40 mm (1.5 in)**

A0046482

57 Dimensions; integrated antenna, PEEK, 40 mm (1.5 in); process connection, thread 1-1/2". Unit of measurement mm (in)

A Process temperature version  $\leq 150$  °C (302 °F)

B Process temperature version  $\leq 200$  °C (392 °F)

R Reference point of measurement

1 Bottom edge of housing

L1 153 mm (6.02 in); version with Ex d or XP approval +5 mm (+0.20 in)

L2 165 mm (6.50 in); version with Ex d or XP approval +5 mm (+0.20 in)

**Weight**

The weights of the individual components must be added together for the total weight.

**Housing**

Weight including electronics and display.

**Single compartment housing**

- Plastic: 0.5 kg (1.10 lb)
- Aluminum: 1.2 kg (2.65 lb)
- 316L hygiene: 1.2 kg (2.65 lb)

**Dual compartment housing**

Aluminum: 1.4 kg (3.09 lb)

**Dual compartment housing, L-shaped**

- Aluminum: 1.7 kg (3.75 lb)
- Stainless steel: 4.5 kg (9.9 lb)

**Antenna and process connection adapter**

The flange weight (316/316L) depends on the selected standard and sealing surface.

Details -> TI00426F or in the relevant standard



The heaviest version is indicated for the antenna weights

**Encapsulated antenna, PVDF, 40 mm (1.5 in)**

0.60 kg (1.32 lb)

**Drip-off antenna 50 mm (2 in)**

1.70 kg (3.75 lb)

**Integrated antenna, PEEK, 40 mm (1.5 in)**

1.90 kg (4.19 lb) + flange weight

**Integrated antenna, PEEK, 20 mm (0.75 in)**

1.10 kg (2.43 lb) + flange weight

**Materials**

**Materials not in contact with process**


*Single compartment housing, plastic*

- Housing: PBT/PC
- Dummy cover: PBT/PC
- Cover with sight glass: PBT/PC and PC
- Cover seal: EPDM
- Potential equalization: 316L
- Seal under potential equalization: EPDM
- Plug: PBT-GF30-FR
- Seal on plug: EPDM
- Nameplate: plastic foil
- TAG plate: plastic foil, metal or provided by the customer

 The cable entry (material: Stainless steel, nickel-plated brass, plastic) can be ordered via the "Electrical connection" product structure.

*Single compartment housing, aluminum, coated*

- Housing: aluminum EN AC 43400
- Housing coating, cover: polyester
- EN AC-43400 aluminum cover with Lexan 943A PC sight glass  
EN AC-443400 aluminum cover with borosilicate sight glass; dust-Ex for Ex d/XP
- Dummy cover: aluminum EN AC 43400
- Cover sealing materials: HNBR
- Cover sealing materials: FVMQ (in low temperature version only)
- Plug: PBT-GF30-FR or aluminum
- Plug sealing material: EPDM
- Nameplate: plastic foil
- TAG plate: plastic foil, stainless steel or provided by the customer

 The cable entry (material: Stainless steel, nickel-plated brass, plastic) can be ordered via the "Electrical connection" product structure.

*Single compartment housing, 316L, hygienic*

- Housing: stainless steel 316 L (1.4404)
- Dummy cover: stainless steel 316 L (1.4404)
- Cover stainless steel 316 L (1.4404) with PC Lexan 943A sight glass  
Cover stainless steel 316 L (1.4404) with borosilicate sight glass; can optionally be ordered as a mounted accessory  
For dust ignition-proof applications, the sight glass is always made of borosilicate.
- Cover sealing materials: VMQ
- Plug: PBT-GF30-FR or stainless steel
- Plug sealing material: EPDM
- Nameplate: stainless steel housing labeled directly
- TAG plate: plastic foil, stainless steel or provided by the customer

 The cable entry (material: Stainless steel, nickel-plated brass, plastic) can be ordered via the "Electrical connection" product structure.

*Dual compartment housing, aluminum, coated*

- Housing: aluminum EN AC 43400
- Housing coating, cover: polyester
- EN AC-43400 aluminum cover with Lexan 943A PC sight glass  
EN AC-443400 aluminum cover with borosilicate sight glass; dust-Ex for Ex d/XP
- Dummy cover: aluminum EN AC 43400
- Cover sealing materials: HNBR
- Cover sealing materials: FVMQ (in low temperature version only)
- Plug: PBT-GF30-FR or aluminum
- Plug sealing material: EPDM
- Nameplate: plastic foil
- TAG plate: plastic foil, stainless steel or provided by the customer

 The cable entry (material: Stainless steel, nickel-plated brass, plastic) can be ordered via the "Electrical connection" product structure.

*Dual compartment housing; 316L*

- Housing: stainless steel AISI 316L (1.4409)  
Stainless steel (ASTM A351 : CF3M (cast equivalent to AISI 316L material)/DIN EN 10213 : 1.4409)
- Dummy cover: stainless steel AISI 316L (1.4409)
- Cover: stainless steel AISI 316L (1.4409) with borosilicate sight glass
- Cover sealing materials: HNBR
- Cover sealing materials: FVMQ (in low temperature version only)
- Plug: stainless steel
- Plug sealing material: EPDM
- Nameplate: stainless steel
- TAG plate: plastic foil, stainless steel or provided by the customer



The cable entry (material: Stainless steel, nickel-plated brass, plastic) can be ordered via the "Electrical connection" product structure.

*Dual compartment housing, L-shaped, aluminum, coated*

- Housing: aluminum EN AC 43400
- Housing coating, cover: polyester
- EN AC-43400 aluminum cover with Lexan 943A PC sight glass  
EN AC-443400 aluminum cover with borosilicate sight glass; dust-Ex for Ex d/XP
- Dummy cover: aluminum EN AC 43400
- Cover sealing materials: HNBR
- Cover sealing materials: FVMQ (in low temperature version only)
- Plug: PBT-GF30-FR or aluminum
- Plug sealing material: EPDM
- Nameplate: plastic foil
- TAG plate: plastic foil, stainless steel or provided by the customer



The cable entry (material: Stainless steel, nickel-plated brass, plastic) can be ordered via the "Electrical connection" product structure.

*Dual compartment housing, L-shaped, 316L*

- Housing: stainless steel AISI 316L (1.4409)  
Stainless steel (ASTM A351 : CF3M (cast equivalent to AISI 316L material)/DIN EN 10213 : 1.4409)
- Dummy cover: stainless steel AISI 316L (1.4409)
- Cover: stainless steel AISI 316L (1.4409) with borosilicate sight glass
- Cover sealing materials: HNBR
- Cover sealing materials: FVMQ (in low temperature version only)
- Plug: stainless steel
- Plug sealing material: EPDM
- Nameplate: stainless steel housing labeled directly
- TAG plate: plastic foil, stainless steel or provided by the customer



The cable entry (material: Stainless steel, nickel-plated brass, plastic) can be ordered via the "Electrical connection" product structure.

*Cable entry***Coupling M20, plastic**

- Material: PA
- Seal on cable gland: EPDM
- Dummy plug: plastic

**Coupling M20, nickel-plated brass**

- Material: nickel-plated brass
- Seal on cable gland: EPDM
- Dummy plug: plastic

**Coupling M20, 316L**

- Material: 316L
- Seal on cable gland: EPDM
- Dummy plug: plastic

**M20 coupling, 316 L, hygiene**

- Material: 316L
- Seal on cable gland: EPDM

**M20 thread**

The device is supplied with M20 thread as standard.

Transport plug: LD-PE

**Thread G ½**

The device is supplied as standard with an M20 thread and an enclosed adapter to G ½ including documentation (aluminum housing, 316L housing, hygienic housing) or with a mounted adapter to G ½ (plastic housing).

- Adapter made of PA66-GF or aluminum or 316L (depends on housing version ordered)
- Transport plug: LD-PE

**NPT ½ thread**

The device is supplied as standard with an NPT ½ thread (aluminum housing, 316L housing) or with a mounted adapter to NPT ½ (plastic housing, hygienic housing).

- Adapter made of PA66-GF or 316L (depends on housing version ordered)
- Transport plug: LD-PE

**M20 coupling, blue plastic**

- Material: PA, blue
- Seal on cable gland: EPDM
- Dummy plug: plastic

**M12 plug**

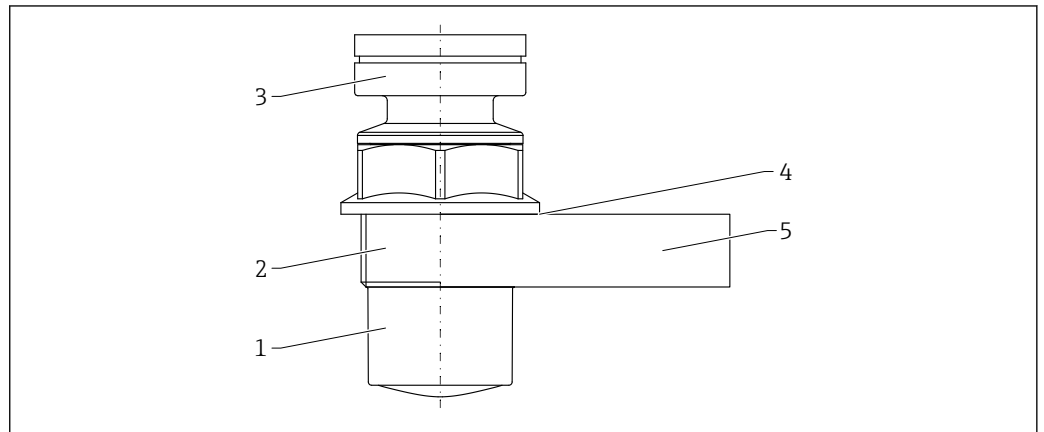
- Material: nickel-plated CuZn or 316L (depends on housing version ordered)
- Transport cap: LD-PE

**HAN7D plug**

Material: aluminum, die-cast zinc, steel

**Wetted materials**

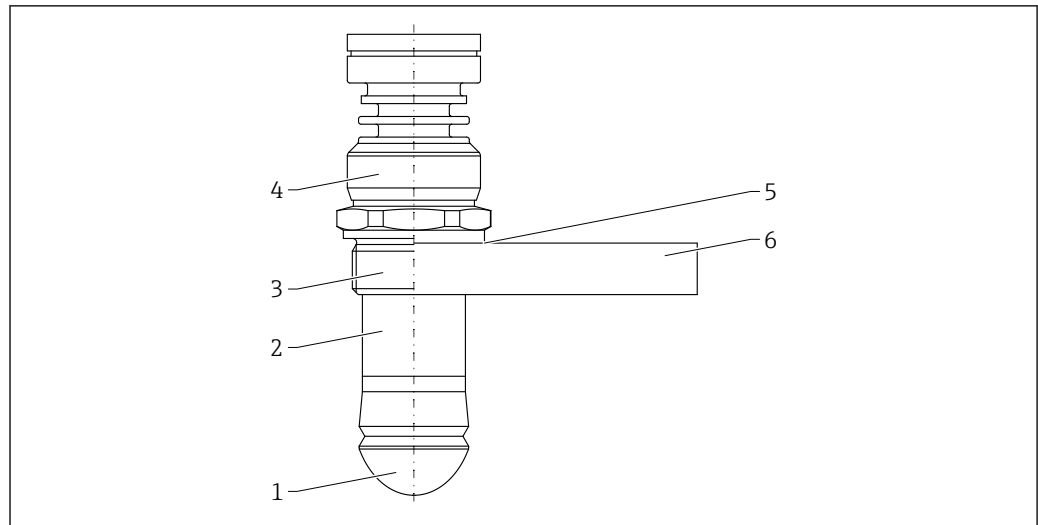
*Encapsulated antenna, PVDF, 40 mm (1.5 in)*



58 Material; encapsulated PVDF antenna, 40 mm (1.5 in)

- 1 Antenna: PVDF
- 2 Process connection thread: PVDF
- 3 Housing adapter: PBT-GF30 or 304 (1.4301) for dust ignition-proof version
- 4 Synthetic/organic fiber elastomer seal (asbestos-free), FA material
- 5 UNI flange: PP

Drip-off antenna 50 mm (2 in)

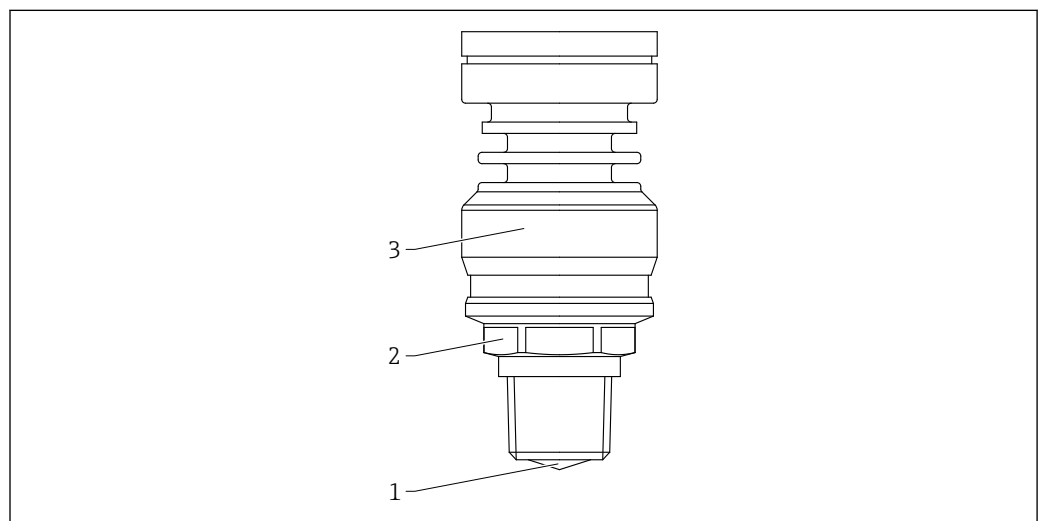


A0046603

▣ 59 Material; drip-off antenna 50 mm (2 in)

- 1 Antenna: PTFE, sealing material can be selected (order option)
- 2 Threaded sleeve: 316L (1.4404)
- 3 Process connection: 316L (1.4404)
- 4 Housing adapter: 316L (1.4404)
- 5 Synthetic/organic fiber elastomer seal (asbestos-free), FA material
- 6 UNI flange: material can be selected (order option)

Antenna integrated, 20 mm (0.75 in)

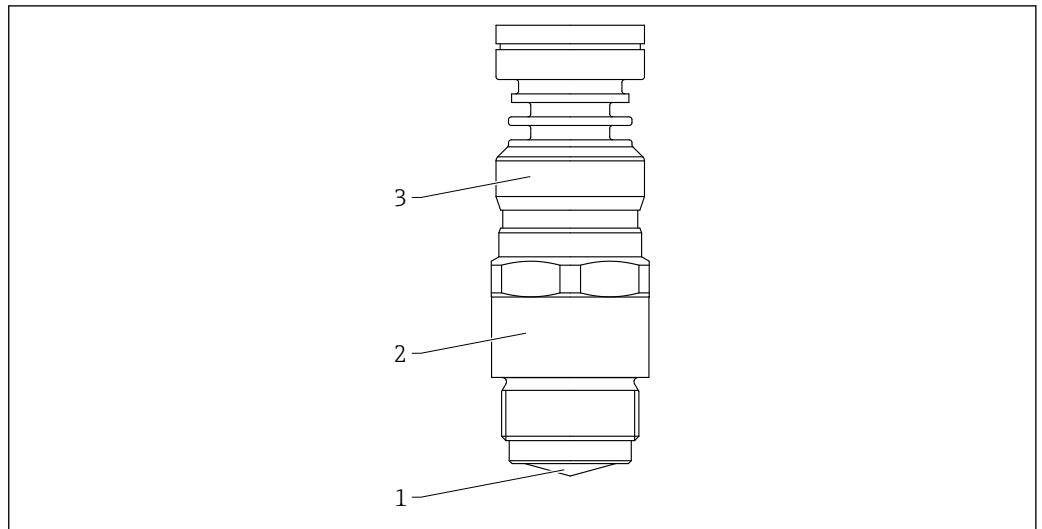


A0046605

▣ 60 Material; antenna integrated, 20 mm (0.75 in)

- 1 Antenna: PEEK, sealing material can be selected (order option)
- 2 Process connection: 316L (1.4404)
- 3 Housing adapter: 316L (1.4404)

*Antenna integrated, 40 mm (1.5 in)*



A0046606

▣ 61 *Material; antenna integrated, 40 mm (1.5 in)*

- 1 *Antenna: PEEK, sealing material can be selected (order option)*
- 2 *Process connection: 316L (1.4404)*
- 3 *Housing adapter: 316L (1.4404)*

## Operability

### Operation concept

#### Operator-oriented menu structure for user-specific tasks

- User navigation
- Diagnosis
- Application
- System

#### Quick and safe commissioning

- Interactive wizard with graphical interface for guided commissioning in FieldCare, DeviceCare or DTM and PDM-based tools from third-party users or SmartBlue
- Menu guidance with brief descriptions of the individual parameter functions
- Standardized operation at the device and in the operating tools

#### Integrated HistoROM data memory

- Adoption of data configuration when electronics modules are replaced
- Up to 100 event messages recorded in the device
- A reference signal curve is saved during commissioning for later use as a reference during operation

#### Efficient diagnostics increase measurement reliability

- Remedial measures are integrated in plain text
- Diverse simulation options

#### Bluetooth module (optionally integrated in local display)

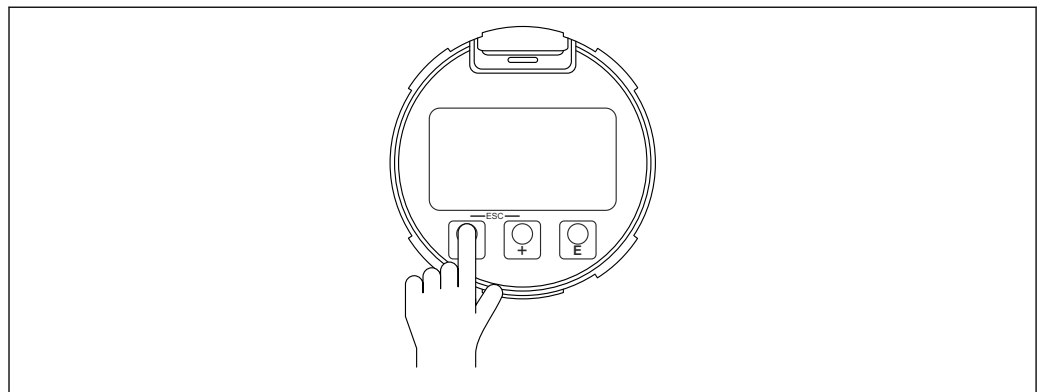
- Easy and fast setup via SmartBlue app or PC with DeviceCare from version 1.07.00 or FieldXpert SMT70
- No additional tools or adapters needed
- Encrypted single point-to-point data transmission (tested by Fraunhofer Institute) and password-protected communication via *Bluetooth*® wireless technology

### Languages

The operating language of the local display (optional) can be selected via the Product Configurator. The local display is delivered with English from the factory if a different language was not selected. The operating language can be changed subsequently via the **Language** parameter.

### Local operation

Local operation with 3 keys (⊕, ⊖, E) on the display.



A0046640



The operating elements are also accessible in the various hazardous areas.

### Local display

#### Device display (optional)

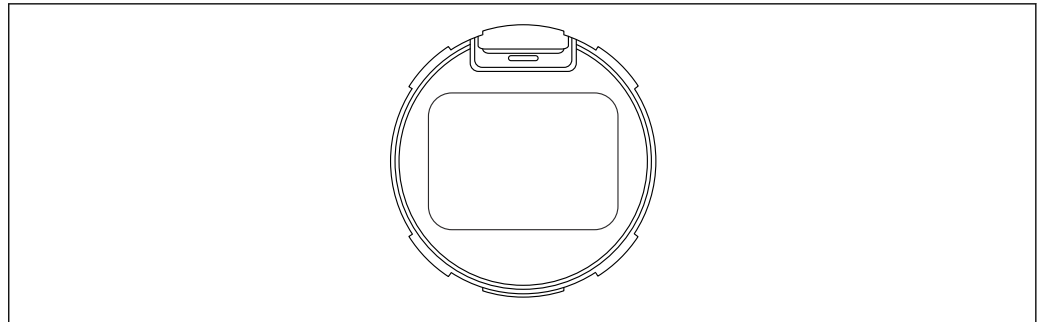
##### Functions

- Display measured values, also fault and notice messages
- Background lighting, which switches from green to red in the event of an error
- The device display can be removed for easier operation



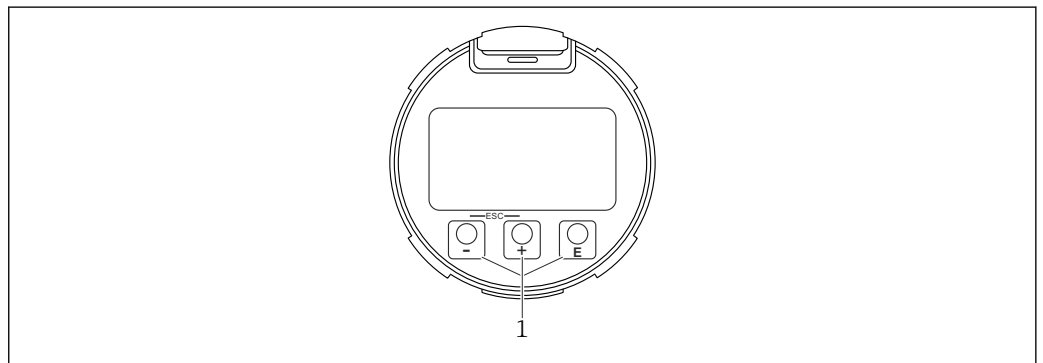
The device displays are available with the additional option of Bluetooth® wireless technology.





A0043059

62 Segment display without keys



A0039284

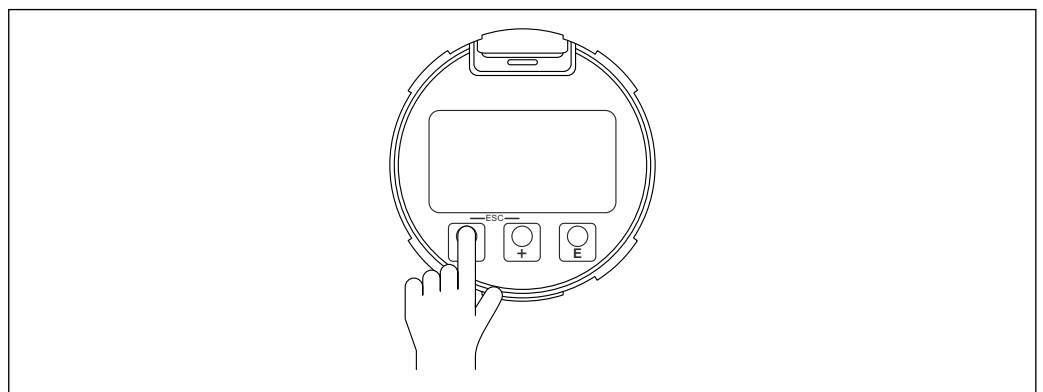
63 Graphic display

1 Optical operating keys


Permitted ambient temperature for the display: -20 to +70 °C (-4 to +158 °F)

The readability of the display may be impaired at temperatures outside the temperature range.

Local operation with 3 keys (+, -, E) on the display.

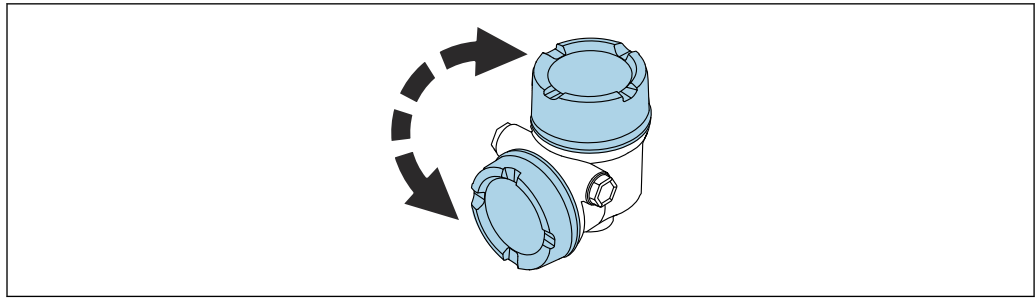


A0046640

 The operating elements are also accessible in the various hazardous areas.

#### Installation position of device display exchangeable

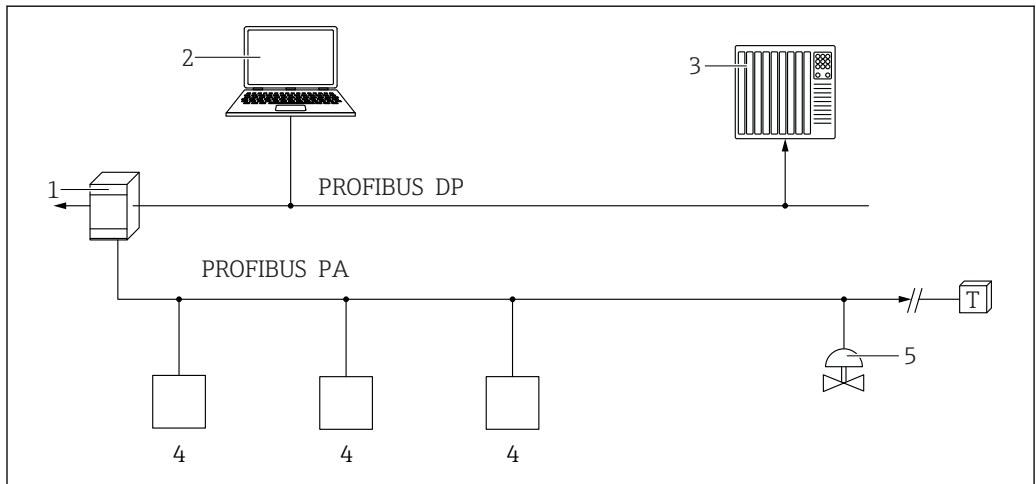
The installation position of the display can be changed in the case of the dual compartment housing, L-form.



A004B401

**Remote operation**

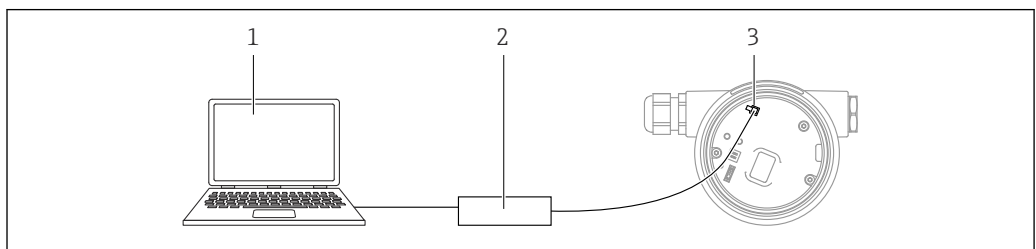
**Via PROFIBUS PA protocol**



A0050944

- 1 Segment coupler
- 2 Computer with PROFlusb and operating tool (e.g. DeviceCare/FieldCare)
- 3 PLC (programmable logic controller)
- 4 Transmitter
- 5 Additional functions (valves etc.)

**Via service interface (CDI)**



A0039148

- 1 Computer with FieldCare/DeviceCare operating tool
- 2 Commubox
- 3 Service interface (CDI) of the device (= Endress+Hauser Common Data Interface)

**Operation via Bluetooth® wireless technology (optional)**

**Prerequisite**

- Measuring device with Bluetooth display
- Smartphone or tablet with SmartBlue app or PC with DeviceCare, version 1.07.00 and higher, or FieldXpert SMT70

The connection has a range of up to 25 m (82 ft). The range can vary depending on environmental conditions such as attachments, walls or ceilings.

**System integration**

According to EN 50170 Volume 2, IEC 61158-2 (MBP) type 1 PROFIBUS PA Profile Version 3.02

**Supported operating tools** Smartphone or tablet with Endress+Hauser SmartBlue (app), DeviceCare, version 1.07.00 and higher, FieldCare, DTM, and PDM.

## Certificates and approvals

Current certificates and approvals for the product are available at [www.endress.com](http://www.endress.com) on the relevant product page:

1. Select the product using the filters and search field.
2. Open the product page.
3. Select **Downloads**.

**CE mark** The measuring system meets the legal requirements of the applicable EU directives. These are listed in the corresponding EU Declaration of Conformity together with the standards applied.  
The manufacturer confirms successful testing of the device by affixing to it the CE mark.

**RoHS** The measuring system meets the substance restrictions of the Directive on the Restriction of the Use of Certain Hazardous Substances 2011/65/EU (RoHS 2) and the Delegated Directive (EU) 2015/863 (RoHS 3).

**RCM marking** The supplied product or measuring system meets the ACMA (Australian Communications and Media Authority) requirements for network integrity, interoperability, performance characteristics as well as health and safety regulations. Here, especially the regulatory arrangements for electromagnetic compatibility are met. The products bear the RCM marking on the nameplate.



A0029561

**Ex approvals** Additional safety instructions must be followed for use in hazardous areas. Please refer to the separate "Safety Instructions" (XA) document included in the delivery. Reference to the applicable XA can be found on the nameplate.

### Explosion-protected smartphones and tablets

If used in hazardous areas, mobile end devices with an Ex approval must be used.

**Pressure equipment with permitted pressure ≤ 200 bar (2 900 psi)** Pressure instruments with a process connection that does not have a pressurized housing do not fall within the scope of the Pressure Equipment Directive, irrespective of the maximum allowable pressure.

### Reasons:

According to Article 2, point 5 of EU Directive 2014/68/EU, pressure accessories are defined as "devices with an operational function and having pressure-bearing housings".

If a pressure instrument does not have a pressure-bearing housing (no identifiable pressure chamber of its own), there is no pressure accessory present within the meaning of the Directive.

**Radio approval** Displays with Bluetooth LE have radio licenses according to CE and FCC. The relevant certification information and labels are provided on display.

**EN 302729 radio standard** Devices with following listed antennas are compliant with the radio standard EN 302729 for LPR (Level Probing Radar):

- Encapsulated antenna, PVDF, 40 mm (1.5 in)
- Drip-off antenna 50 mm (2 in)
- Integrated antenna, PEEK, 20 mm (0.75 in)
- Integrated antenna, PEEK, 40 mm (1.5 in)

The devices are approved for unrestricted use inside and outside closed containers in countries of the EU and the EFTA. As a prerequisite, the countries must have already implemented this standard.

The standard is already implemented in the following countries:

Belgium, Bulgaria, Germany, Denmark, Estonia, France, Greece, UK, Ireland, Iceland, Italy, Liechtenstein, Lithuania, Latvia, Malta, The Netherlands, Norway, Austria, Poland, Portugal, Romania, Sweden, Switzerland, Slovakia, Spain, Czech Republic and Cyprus.

Implementation is still underway in all of the countries not listed.

Please note the following for operation of the devices outside of closed vessels:

- Installation must be carried out by properly trained, expert staff
- The device antenna must be installed in a fixed location pointing vertically downwards
- The mounting site must be located at a distance of 4 km (2.49 mi) from the astronomy stations listed below or otherwise approval must be provided by the relevant authority. If a device is installed within a radius of 4 to 40 km (2.49 to 24.86 mi) around one of the listed stations, it must not be installed at a height of more than 15 m (49 ft) above the ground

#### *Astronomy stations*

Country	Name of the station	Latitude	Longitude
Germany	Effelsberg	50° 31' 32" North	06° 53' 00" East
Finland	Metsähovi	60° 13' 04" North	24° 23' 37" East
	Tuorla	60° 24' 56" North	24° 26' 31" East
France	Plateau de Bure	44° 38' 01" North	05° 54' 26" East
	Floirac	44° 50' 10" North	00° 31' 37" West
Great Britain	Cambridge	52° 09' 59" North	00° 02' 20" East
	Damhall	53° 09' 22" North	02° 32' 03" West
	Jodrell Bank	53° 14' 10" North	02° 18' 26" West
	Knockin	52° 47' 24" North	02° 59' 45" West
	Pickmere	53° 17' 18" North	02° 26' 38" West
Italy	Medicina	44° 31' 14" North	11° 38' 49" East
	Noto	36° 52' 34" North	14° 59' 21" East
	Sardinia	39° 29' 50" North	09° 14' 40" East
Poland	Fort Skala Krakow	50° 03' 18" North	19° 49' 36" East
Russia	Dmitrov	56° 26' 00" North	37° 27' 00" East
	Kalyazin	57° 13' 22" North	37° 54' 01" East
	Pushchino	54° 49' 00" North	37° 40' 00" East
	Zelenchukskaya	43° 49' 53" North	41° 35' 32" East
Sweden	Onsala	57° 23' 45" North	11° 55' 35" East
Switzerland	Bleien	47° 20' 26" North	08° 06' 44" East
Spain	Yebes	40° 31' 27" North	03° 05' 22" West
	Robledo	40° 25' 38" North	04° 14' 57" West
Hungary	Penc	47° 47' 22" North	19° 16' 53" East

 As a general rule, the requirements outlined in EN 302729 must be observed.

#### **EN 302372 radio standard**


The devices comply with the TLPR (Tanks Level Probing Radar) radio standard EN 302372 and are permitted for use in closed vessels. Points a to f in Annex E of EN 302372 must be observed for the installation.

**FCC**

This device complies with Part 15 of the FCC rules. Operation is subject to the following two conditions: (1) This device may not cause harmful interference, and (2) this device must accept any interference received, including interference that may cause undesired operation.

[Any] changes or modifications not expressly approved by the party responsible for compliance could void the user's authority to operate the equipment.

The devices are compliant with the FCC Code of Federal Regulations, CFR 47, Part 15, Sections 15.205, 15.207, 15.209.

-  In addition, the devices with following listed antennas are compliant with Section 15.256:
- Encapsulated antenna, PVDF, 40 mm (1.5 in)
  - Drip-off antenna 50 mm (2 in)
  - Integrated antenna, PEEK, 20 mm (0.75 in)
  - Integrated antenna, PEEK, 40 mm (1.5 in)

For these LPR (Level Probe Radar) applications the devices must be professionally installed in a downward operating position. In addition, the devices are not allowed to be mounted in a zone of 4 km (2.49 mi) around RAS stations and within a radius of 40 km (24.86 mi) around RAS stations the maximum operation height of devices is 15 m (49 ft) above ground.

**Industry Canada**


**Canada CNR-Gen Section 7.1.3**

This device complies with Industry Canada licence-exempt RSS standard(s). Operation is subject to the following two conditions: (1) This device may not interference, and (2) this device must accept any interference, including interference that may cause undesired operation of the device.

*Le présent appareil est conforme aux CNR d'Industrie Canada applicables aux appareils radio exempts de licence. L'exploitation est autorisée aux deux conditions suivantes : (1) l'appareil ne doit pas produire de brouillage, et (2) l'utilisateur de l'appareil doit accepter tout brouillage radioélectrique subi, même si le brouillage est susceptible d'en compromettre le fonctionnement.*

[Any] changes or modifications not expressly approved by the party responsible for compliance could void the user's authority to operate the equipment.

- The installation of the LPR/TLPR device shall be done by trained installers, in strict compliance with the manufacturer's instructions.
- The use of this device is on a "no-interference, no-protection" basis. That is, the user shall accept operations of high-powered radar in the same frequency band which may interfere with or damage this device. However, devices found to interfere with primary licensing operations will be required to be removed at the user's expense.
- This device shall be installed and operated in a completely enclosed container to prevent RF emissions, which can otherwise interfere with aeronautical navigation.
- The installer/user of this device shall ensure that it is at least 10 km from the Dominion Astrophysical Radio Observatory (DRAO) near Penticton, British Columbia. The coordinates of the DRAO are latitude 49°19'15" N and longitude 119°37'12" W. For devices not meeting this 10 km separation (e.g., those in the Okanagan Valley, British Columbia,) the installer/user must coordinate with, and obtain the written concurrence of, the Director of the DRAO before the equipment can be installed or operated. The Director of the DRAO may be contacted at 250-497-2300 (tel.) or 250-497-2355 (fax). (Alternatively, the Manager, Regulatory Standards Industry Canada, may be contacted.)

-  The Model FMR60B fulfills the requirements for use as LPR (Level Probe Radar).
- The Model FMR60BT is a submodel of the FMR60B that fulfills the requirements for use as TLPR (Tank Level Probe Radar).

**External standards and guidelines**

- EN 60529  
Degrees of protection provided by enclosures (IP code)
- EN 61010-1  
Safety requirements for electrical equipment for measurement, control and laboratory use
- IEC/EN 61326  
Emission in accordance with Class A requirements A; Electromagnetic compatibility (EMC requirements)
- NAMUR NE 21  
Electromagnetic compatibility (EMC) of industrial process and laboratory control equipment

- NAMUR NE 53  
Software of field devices and signal-processing devices with digital electronics
- NAMUR NE 107  
Status categorization in accordance with NE 107
- NAMUR NE 131  
Requirements for field devices for standard applications

## Ordering information

Detailed ordering information is available from your nearest sales organization [www.addresses.endress.com](http://www.addresses.endress.com) or in the Product Configurator at [www.endress.com](http://www.endress.com):

1. Select the product using the filters and search field.
2. Open the product page.
3. Select **Configuration**.

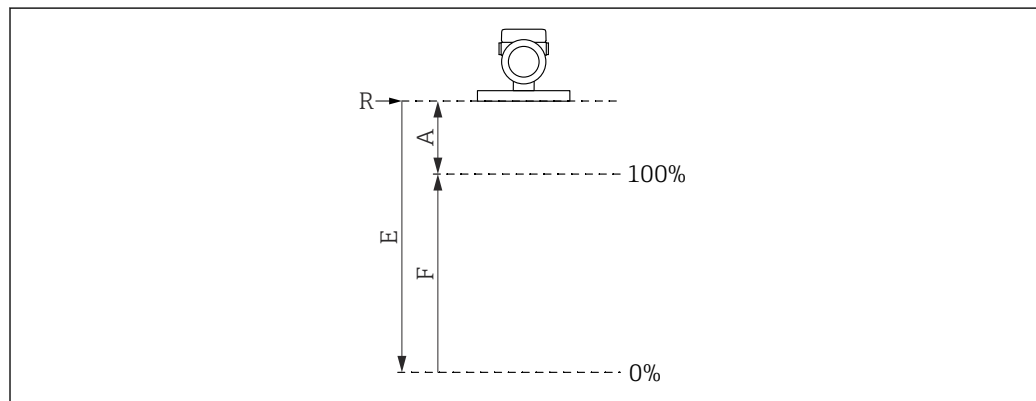
### **i** Product Configurator - the tool for individual product configuration

- Up-to-the-minute configuration data
  - Depending on the device: direct input of information specific to the measuring point, such as the measuring range or operating language
  - Automatic verification of exclusion criteria
  - Automatic creation of the order code and its breakdown in PDF or Excel output format
  - Ability to order directly in the Endress+Hauser Online Shop

## Calibration

### Factory calibration certificate

The calibration points are spread evenly over the measuring range (0 to 100 %). The Empty calibration **E** and Full calibration **F** must be specified to define the measuring range. If this information is missing, antenna-dependent default values are used instead.




A0032643

- R* Reference point of measurement  
*A* Minimum distance between reference point R and 100% mark  
*E* Empty calibration  
*F* Full calibration

**Measuring range restrictions**


The following restrictions must be considered when selecting **E** and **F**:

- Minimum distance between reference point **R** and **100%** mark  
 $A \geq 400 \text{ mm (16 in)}$
  - Minimum span  
 $F \geq 45 \text{ mm (1.77 in)}$
  - Maximum value for Empty calibration  
 $E \geq 450 \text{ mm (17.72 in)}$  (maximum 30 m (98 ft))
-  ▪ Calibration takes place under reference conditions .
- The selected values for Empty calibration and Full calibration are only used to create the factory calibration certificate. Afterwards, the values are reset to the default values specific for the antenna. If values other than the default values are required, they must be ordered as a customized empty/full calibration.  
 Product Configurator → Optional → Service → **Customized empty/full calibration**

---

**Service**

Services that can be selected via the product structure in the Product Configurator include.

- Cleaned of oil+grease (wetted)
  - PWIS-free (paint-wetting impairment substances)
  -  The plastic protective cover is excluded from the PWIS cleaning
  - ANSI Safety Red coating, coated housing cover
  - Set damping
  - Bluetooth communication is disabled on delivery
  - Customized empty/full calibration
  - Product documentation on paper
- A printed (hard copy) version of test reports, declarations and inspection certificates can optionally be ordered via the **Service** feature, **Product documentation on paper** option. The required documents can be selected under the feature **Test, certificate, declaration** and are then included with the device on delivery.

---

**Test, certificate, declaration**

All test reports, declarations and inspection certificates are provided electronically in the *Device Viewer*:

Enter the serial number from the nameplate ([www.endress.com/deviceviewer](http://www.endress.com/deviceviewer))

---

**Identification**

**Measuring point (tag)**

The device can be ordered with a tag name.

**Location of tag name**

In the additional specification, select:

- Stainless steel tag plate
- Paper adhesive label
- Tag provided by the customer
- RFID TAG
- RFID TAG + stainless steel tag plate
- RFID TAG + paper adhesive label
- RFID TAG + TAG provided by the customer
- IEC 61406 stainless steel TAG
- IEC 61406 stainless steel TAG + NFC TAG
- IEC 61406 stainless steel TAG, stainless steel TAG
- IEC 61406 stainless steel TAG + NFC, stainless steel TAG
- IEC 61406 stainless steel TAG, plate provided
- IEC 61406 stainless steel TAG + NFC, plate provided

**Definition of tag name**

In the additional specification, specify:

3 lines of maximum 18 characters each

The specified tag name appears on the selected plate and/or on the RFID TAG.

**Presentation in the SmartBlue app**

The first 18 characters of the tag name

The tag name can always be changed specifically for the measuring point via Bluetooth.

**Display in electronic nameplate (ENP)**

The first 18 characters of the tag name

**Display in PROFIBUS PA**

The first 18 characters of the tag name are part of the electronic nameplate (ENP) and are also used as TAG\_DESC in accordance with the PA Profile 3.02.



For further information, please refer to SD01502F, SD02796P

Available in the Download Area of the Endress+Hauser website ([www.endress.com/downloads](http://www.endress.com/downloads)).

## Application packages

### Heartbeat Technology

The Heartbeat Verification + Monitoring application package offers diagnostic functionality through continuous self-monitoring, the transmission of additional measured variables to an external Condition Monitoring system and the in-situ verification of devices in the application.

The application package can be ordered together with the device or can be activated subsequently with an activation code. Detailed information on the order code is available via the Endress+Hauser website [www.endress.com](http://www.endress.com) or from your local Endress+Hauser Sales Center.

#### Heartbeat Verification

Heartbeat Verification is carried out on request and supplements self-monitoring, which is performed continuously, by carrying out further tests. During verification, the system checks whether the device components comply with the factory specifications. Both the sensor and the electronics modules are included in the tests.

Heartbeat Verification confirms the device function on request within the specified measuring tolerance with a total test coverage TTC (Total Test Coverage) in percent.

Heartbeat Verification meets the requirements for metrological traceability in accordance with ISO 9001 (ISO 9001:2015 Section 7.1.5.2).

The result of the verification is either Passed or Failed. The verification data are saved in the device and optionally archived on a PC with the FieldCare asset management software or in the Netilion Library. Based on this data, a verification report is generated automatically to ensure that traceable documentation of the verification results is available.

#### Heartbeat Monitoring

**Foam detection** wizard and **Build-up detection** wizard are available, process windows can be configured. Furthermore, additional monitoring parameters can be displayed and used for predictive maintenance or application optimization.

##### *"Foam detection" wizard*

This wizard configures the automatic foam detection.

Foam detection can be linked to an output variable or status information e.g. to control a sprinkler used to dissolve the foam. It is also possible to monitor the foam increase in a so called foam index. The foam index can also be linked to an output variable and can be shown on the display.

Preparation:

The Foam monitoring initialization should only be done without or less foam.

##### *Areas of application*

- Measurement in liquids
- Reliable detection of foam on the medium

##### *"Build-up detection" wizard*

This wizard configures the build-up detection.

Basic idea:

The build-up detection can, for example, be linked to a compressed-air system to clean the antenna. With the build-up monitoring the maintenance cycles can be optimized.

Preparation:

The build-up monitoring initialization should only be done without or less build-up.



*Areas of application*

- Measurement in liquids and solids
- Reliable detection of buildup on the antenna

**Detailed description**

 Special documentation SD03093F

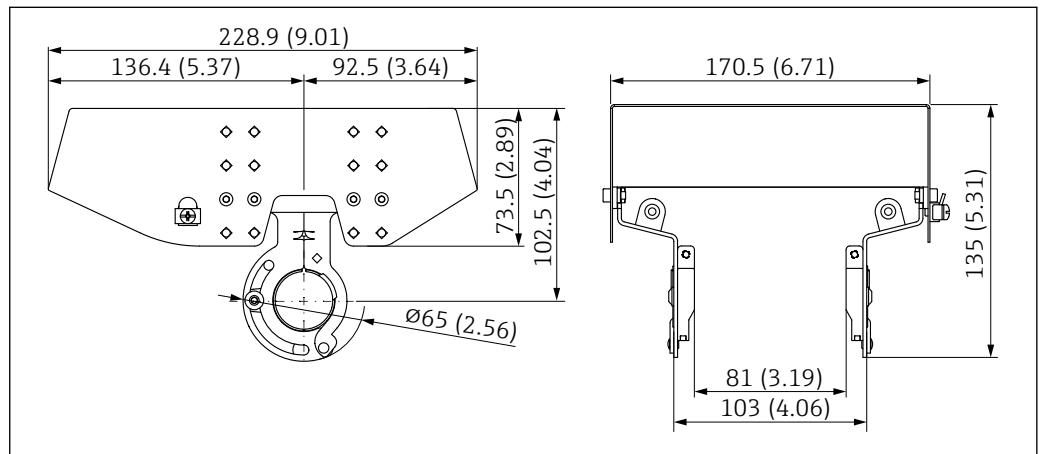
## Accessories


**Weather protection cover: 316L, XW112**

The weather protection cover can be ordered together with the device via the "Accessory enclosed" product structure.

It is used to protect against direct sunlight, precipitation and ice.

Weather protection cover 316L is suitable for the dual compartment housing made of aluminum or 316L. The delivery includes the holder for direct mounting on the housing.



 64 Dimensions of weather protection cover, 316 L, XW112. Unit of measurement mm (in)

**Material**

- Weather protection cover: 316L
- Clamping screw: A4
- Holder: 316L

**Accessory order code:**

71438303

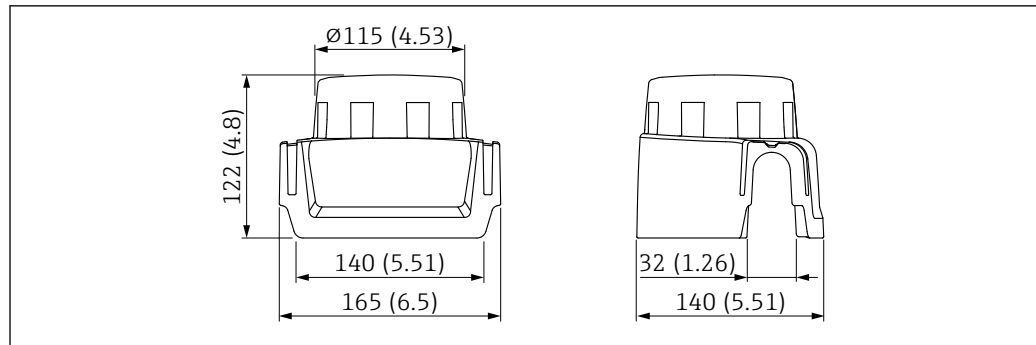
 Special documentation SD02424F

**Weather protection cover, plastic, XW111**

The weather protection cover can be ordered together with the device via the "Accessory enclosed" product structure.

It is used to protect against direct sunlight, precipitation and ice.

The plastic weather protection cover is suitable for the single compartment housing made of aluminum. The delivery includes the holder for direct mounting on the housing.



A0038280

65 Dimensions of weather protection cover, plastic, XW111. Unit of measurement mm (in)

### Material

Plastic

### Accessory order code:

71438291

 Special documentation SD02423F

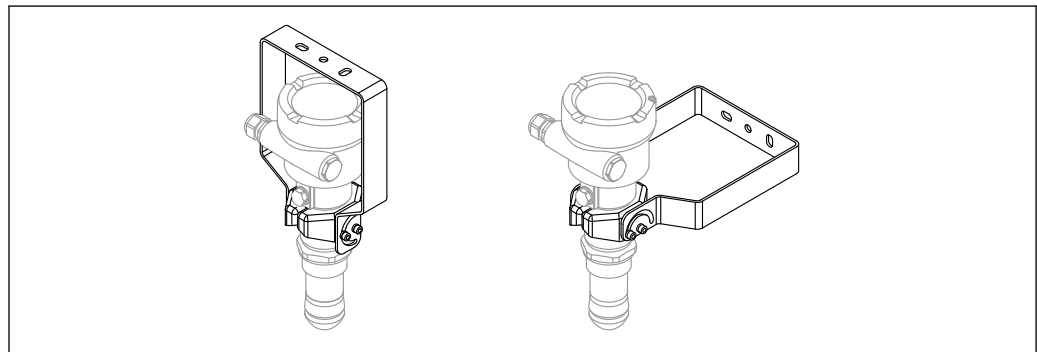
### Mounting bracket adjustable, FMR6xB

The device can be mounted on a wall or ceiling with the mounting bracket.

The device can be aligned with the product surface with the swivel function.


The mounting bracket can be ordered together with the device via the product structure "Accessory enclosed".

Suitable for device with single compartment plastic housing, single compartment aluminum housing or dual compartment L-shaped aluminum housing, each in combination with encapsulated antenna, 40 mm (1.5 in) PVDF or 50 mm (2 in) drip-off antenna with process connection thread.



A0048745

66 Mounting bracket adjustable FMR6xB; ceiling or wall mounting

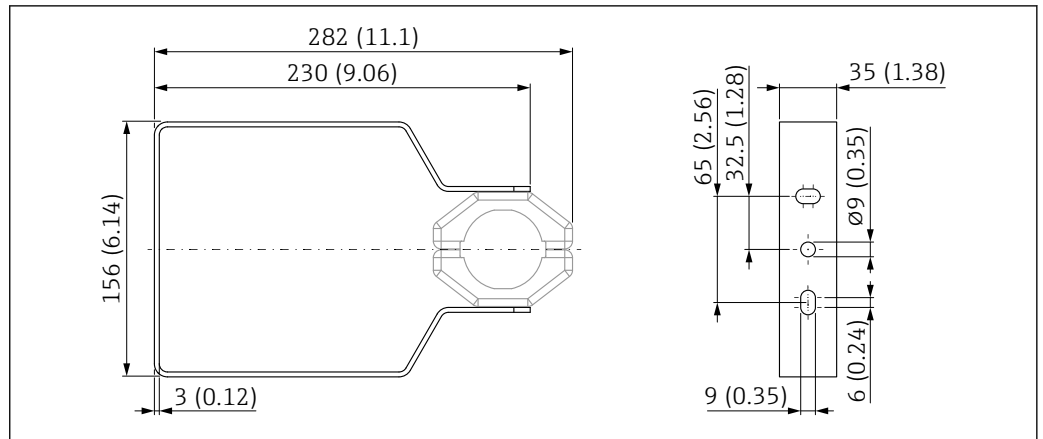
 There is **no** conductive connection between the mounting bracket and the transmitter housing. The bracket should be included in local potential equalization to prevent any electrostatic charge.

Fasten only to stable materials (e.g. metal, brick, concrete) with suitable fastening fixtures (provided by the customer).

### Accessory order code:

71597288

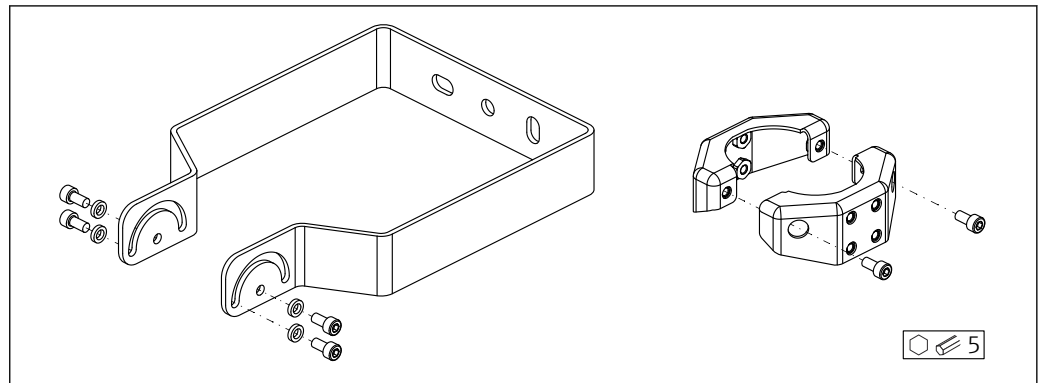
**Dimensions**



A0048769

▣ 67 Dimensions; mounting bracket adjustable FMR6xB. Unit of measurement mm (in)

**Scope of delivery**



A0049050

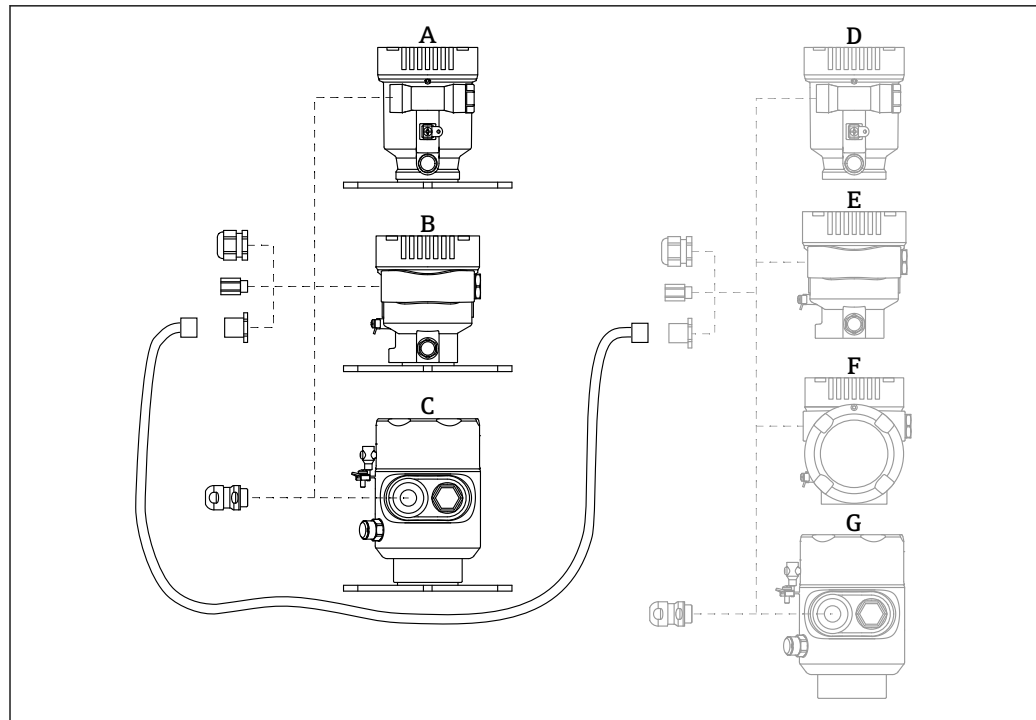
▣ 68 Scope of delivery; mounting bracket adjustable FMR6xB

- 1 × mounting bracket, 316L (1.4404)
- 2 × holder, 316L (1.4404)
- 6 × screws, A4
- 4 × lock washer, A4

**Remote display FHX50B**

The remote display is ordered via the Product Configurator.

If the remote display is to be used, the device version **Prepared for display FHX50B** must be ordered.



- A Single compartment housing, plastic, remote display  
 B Single compartment housing, aluminum, remote display  
 C Single-compartment housing, 316L hygiene, remote display  
 D Device side, single compartment housing, plastic, prepared for FHX50B display  
 E Device side, single compartment housing, aluminum, prepared for FHX50B display  
 F Device side, dual compartment housing, L-shaped, prepared for FHX50B display  
 G Device side, single compartment housing, 316 L hygiene, prepared for FHX50B display

#### Single compartment housing material, remote display

- Aluminum
- Plastic

#### Degree of protection:

- IP68 / NEMA 6P
- IP66 / NEMA 4x

#### Connecting cable:

- Connecting cable (option) up to 30 m (98 ft)
- Standard cable supplied by customer up to 60 m (197 ft)  
 Recommendation: EtherLine®-P CAT.5e from LAPP.

#### Specification of customer-supplied connecting cable

Push-in CAGE CLAMP® connection technology, push actuation

- Conductor cross-section:
  - Solid conductor 0.2 to 0.75 mm<sup>2</sup> (24 to 18 AWG)
  - Fine-stranded conductor 0.2 to 0.75 mm<sup>2</sup> (24 to 18 AWG)
  - Fine-stranded conductor; with insulated ferrule 0.25 to 0.34 mm<sup>2</sup>
  - Fine-stranded conductor; without insulated ferrule 0.25 to 0.34 mm<sup>2</sup>
- Stripping length 7 to 9 mm (0.28 to 0.35 in)
- Outer diameter: 6 to 10 mm (0.24 to 0.4 in)
- Maximum cable length: 60 m (197 ft)

#### Ambient temperature:

- -40 to +80 °C (-40 to +176 °F)
- Option: -50 to +80 °C (-58 to +176 °F)

 Special documentation SD02991F


#### Gas-tight feedthrough

Chemically inert glass feedthrough, which prevents gases from entering the electronics housing.

Can optionally be ordered as "Accessory mounted" via the product structure.


**Field Xpert SMT70**

Universal, high-performance tablet PC for device configuration in Ex Zone 2 and non-Ex areas

 Technical Information TI01342S

**DeviceCare SFE100**

Configuration tool for HART, PROFIBUS and FOUNDATION Fieldbus field devices

 Technical Information TI01134S

**FieldCare SFE500**

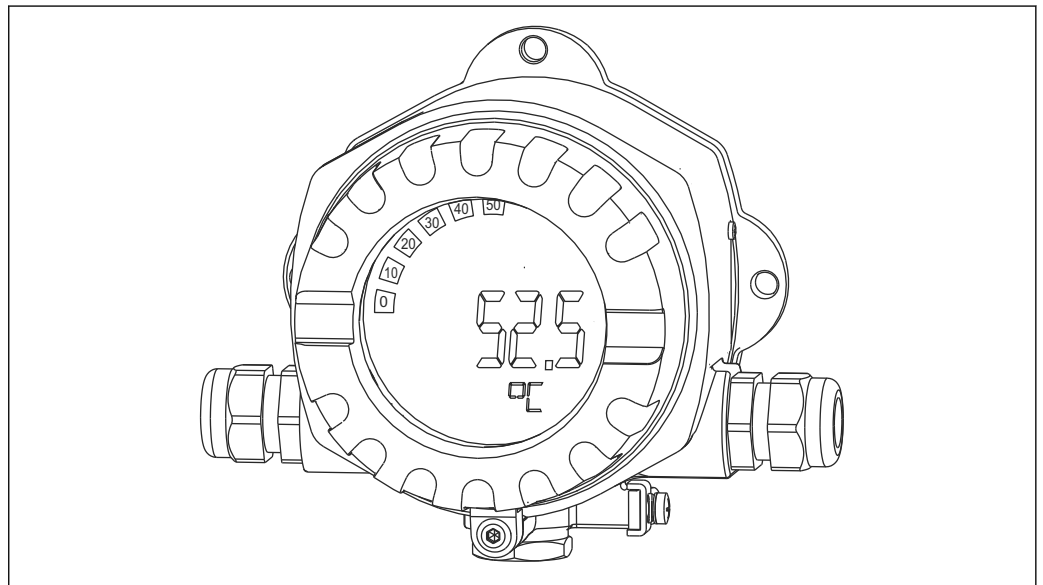
FDT-based plant asset management tool

It can configure all smart field units in your system and helps you manage them. By using the status information, it is also a simple but effective way of checking their status and condition.

 Technical Information TI00028S


**RID14**

8-channel field indicator for fieldbus systems



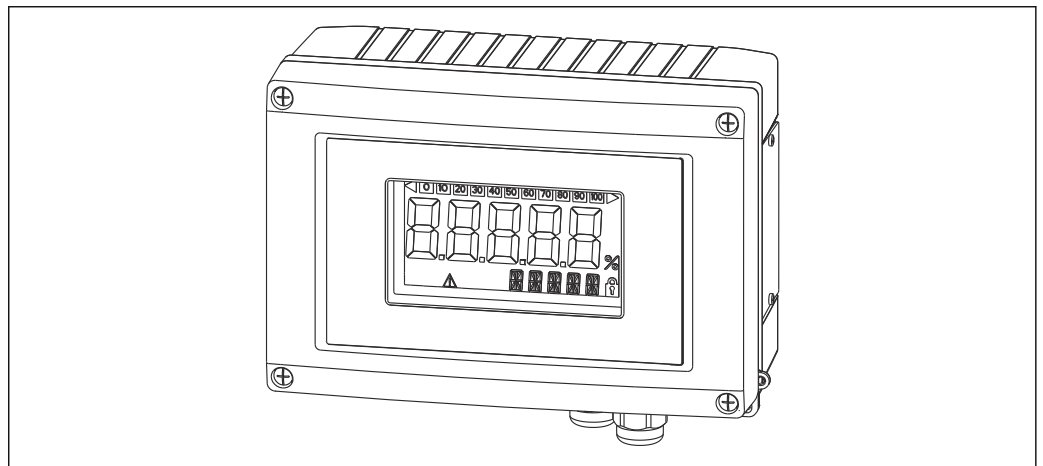
A0011631

Displays 8 process- or calculated values for FOUNDATION Fieldbus™ or PROFIBUS® PA protocol

 Technical Information TI00145R and Operating Instructions BA01267K

**RID16**

8-channel field indicator for fieldbus systems



A0011634

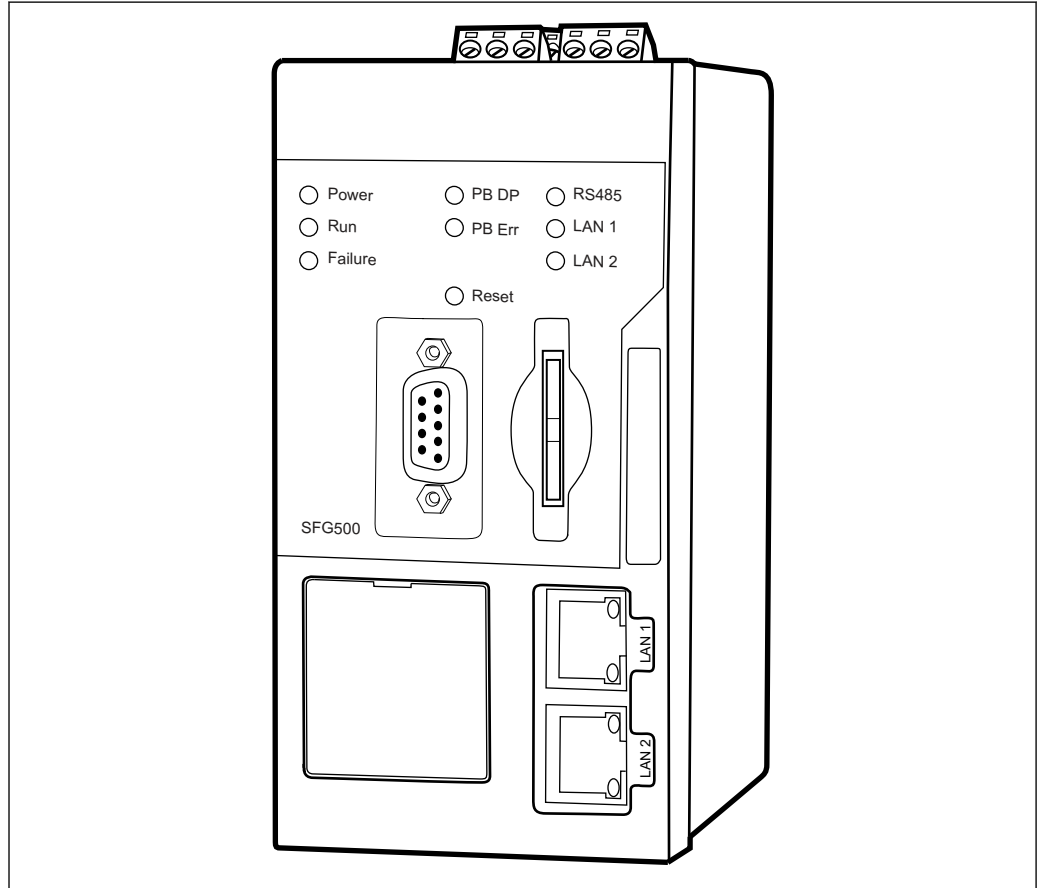
Displays 8 process- or calculated values for FOUNDATION Fieldbus™ or PROFIBUS® PA protocol



Technical Information TI00146R and Operating Instructions BA00284R

**Fieldgate SFG500**

Smart Ethernet/PROFIBUS gateway



A0028262

Parallel access to PROFIBUS networks, PROFIBUS and HART device status monitoring

Ethernet gateway basic mode with integrated web server and adaptive PROFIBUS master, Class 2 for communication with PROFIBUS devices.

**Order number for accessories:**

71116672




Operating Instructions BA01579S

## Documentation

The following document types are available in the Downloads area of the Endress+Hauser website ([www.endress.com/downloads](http://www.endress.com/downloads)), depending on the device version:

Document type	Purpose and content of the document
Technical Information (TI)	<b>Planning aid for your device</b> The document contains all the technical data on the device and provides an overview of the accessories and other products that can be ordered for the device.
Brief Operating Instructions (KA)	<b>Guide that takes you quickly to the 1st measured value</b> The Brief Operating Instructions contain all the essential information from incoming acceptance to initial commissioning.

Document type	Purpose and content of the document
Operating Instructions (BA)	<b>Your reference document</b> The Operating Instructions contain all the information that is required in various phases of the life cycle of the device: from product identification, incoming acceptance and storage, to mounting, connection, operation and commissioning through to troubleshooting, maintenance and disposal.
Description of Device Parameters (GP)	<b>Reference for your parameters</b> The document provides a detailed explanation of each individual parameter. The description is aimed at those who work with the device over the entire life cycle and perform specific configurations.
Safety instructions (XA)	Depending on the approval, safety instructions for electrical equipment in hazardous areas are also supplied with the device. These are an integral part of the Operating Instructions.  The nameplate indicates which Safety Instructions (XA) apply to the device.
Supplementary device-dependent documentation (SD/FY)	Always comply strictly with the instructions in the relevant supplementary documentation. The supplementary documentation is a constituent part of the device documentation.

## Registered trademarks

### PROFIBUS®

PROFIBUS and the associated trademarks (The Association Trademark, the Technology Trademarks, the Certification Trademark and the Certified by PI Trademark) are registered trademarks of the PROFIBUS User Organization e.V. (Profibus User Organization), Karlsruhe - Germany

### Bluetooth®

The *Bluetooth*® word mark and logos are registered trademarks owned by the Bluetooth SIG, Inc. and any use of such marks by Endress+Hauser is under license. Other trademarks and trade names are those of their respective owners.

### Apple®

Apple, the Apple logo, iPhone, and iPod touch are trademarks of Apple Inc., registered in the U.S. and other countries. App Store is a service mark of Apple Inc.

### Android®

Android, Google Play and the Google Play logo are trademarks of Google Inc.

### KALREZ®, VITON®

Registered trademarks of DuPont Performance Elastomers L.L.C., Wilmington, DE USA



[www.addresses.endress.com](http://www.addresses.endress.com)

---