

Operating Instructions

Liquiline System CA80SI

Colorimetric analyzer for silica






Table of contents

| | | | | | |
|----------|---|-----------|-----------|---|------------|
| 1 | About this document | 5 | 9 | Commissioning | 44 |
| 1.1 | Warnings | 5 | 9.1 | Preliminaries | 44 |
| 1.2 | Symbols | 5 | 9.2 | Function check | 50 |
| 1.3 | Symbols on the device | 5 | 9.3 | Switching on the measuring instrument | 51 |
| 1.4 | Documentation | 6 | 9.4 | Configuring the operating language | 51 |
| | | | 9.5 | Configuring the measuring instrument | 51 |
| | | | 9.6 | Starting the measurement | 53 |
| 2 | Basic safety instructions | 7 | 10 | Operation | 54 |
| 2.1 | Requirements concerning personnel | 7 | 10.1 | Display | 54 |
| 2.2 | Intended use | 7 | 10.2 | General settings | 55 |
| 2.3 | Reasonably foreseeable misuse | 7 | 10.3 | Analyzer | 68 |
| 2.4 | Workplace safety | 7 | 10.4 | Current inputs | 74 |
| 2.5 | Operational safety | 7 | 10.5 | Binary inputs and outputs | 75 |
| 2.6 | Product security | 8 | 10.6 | Signal outputs | 83 |
| | | | 10.7 | Additional functions | 92 |
| 3 | Product description | 9 | 11 | Diagnostics and troubleshooting .. | 120 |
| 3.1 | Product design | 9 | 11.1 | General troubleshooting | 120 |
| 3.2 | Measuring system | 10 | 11.2 | Diagnostic information on local display | 121 |
| 3.3 | Device architecture | 11 | 11.3 | Diagnostic information via web browser | 121 |
| | | | 11.4 | Diagnostic information via fieldbus | 121 |
| | | | 11.5 | Adapting the diagnostic information | 122 |
| 4 | Incoming acceptance and product identification | 13 | 11.6 | Overview of diagnostic information | 124 |
| 4.1 | Incoming acceptance | 13 | 11.7 | Pending diagnostic messages | 130 |
| 4.2 | Product identification | 13 | 11.8 | Diagnostic list | 130 |
| 4.3 | Scope of delivery | 14 | 11.9 | Logbooks | 131 |
| | | | 11.10 | System information | 136 |
| | | | 11.11 | Sensor information | 137 |
| | | | 11.12 | Simulation | 138 |
| 5 | Installation | 15 | 11.13 | Device test | 139 |
| 5.1 | Installation requirements | 15 | 11.14 | Resetting | 141 |
| 5.2 | Installing the analyzer | 18 | 11.15 | Operating time information | 141 |
| 5.3 | Post-mounting check | 24 | 11.16 | Firmware history | 141 |
| | | | 12 | Maintenance | 143 |
| 6 | Electrical connection | 25 | 12.1 | Notes on maintenance | 143 |
| 6.1 | Connecting requirements | 25 | 12.2 | Maintenance schedule | 143 |
| 6.2 | Connecting the analyzer | 25 | 12.3 | Maintenance work | 144 |
| 6.3 | Connecting the sensors and additional modules | 28 | 12.4 | Taking out of service | 151 |
| 6.4 | Hardware settings | 34 | 13 | Repair | 154 |
| 6.5 | Ensuring the degree of protection | 36 | 13.1 | General notes | 154 |
| 6.6 | Post-connection check | 36 | 13.2 | Spare parts | 154 |
| | | | 13.3 | Return | 154 |
| | | | 13.4 | Disposal | 154 |
| 7 | System integration | 37 | 14 | Accessories | 156 |
| 7.1 | Overview of device description files | 37 | 14.1 | Device-specific accessories | 156 |
| 7.2 | Integrating the measuring instrument into the system | 37 | 14.2 | Communication-specific accessories | 160 |
| | | | 14.3 | System components | 161 |
| 8 | Operation options | 41 | | | |
| 8.1 | Structure and function of the operating menu | 41 | | | |
| 8.2 | Access to operating menu via on-site display .. | 41 | | | |








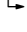
| | | |
|--------------------|-----------------------------------|------------|
| 15 | Technical data | 162 |
| 15.1 | Input | 162 |
| 15.2 | Output | 162 |
| 15.3 | Current outputs, active | 164 |
| 15.4 | Relay outputs | 164 |
| 15.5 | Protocol-specific data | 165 |
| 15.6 | Power supply | 168 |
| 15.7 | Performance characteristics | 169 |
| 15.8 | Environment | 170 |
| 15.9 | Process | 170 |
| 15.10 | Mechanical construction | 171 |
| Index | | 173 |

1 About this document

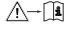


1.1 Warnings

| Structure of information | Meaning |
|--|---|
|  DANGER Causes (/consequences) If necessary, Consequences of non-compliance (if applicable) ► Corrective action | This symbol alerts you to a dangerous situation. Failure to avoid the dangerous situation will result in a fatal or serious injury. |
|  WARNING Causes (/consequences) If necessary, Consequences of non-compliance (if applicable) ► Corrective action | This symbol alerts you to a dangerous situation. Failure to avoid the dangerous situation can result in a fatal or serious injury. |
|  CAUTION Causes (/consequences) If necessary, Consequences of non-compliance (if applicable) ► Corrective action | This symbol alerts you to a dangerous situation. Failure to avoid this situation can result in minor or more serious injuries. |
| NOTICE Cause/situation If necessary, Consequences of non-compliance (if applicable) ► Action/note | This symbol alerts you to situations which may result in damage to property. |

1.2 Symbols

| | |
|---|-----------------------------------|
|  | Additional information, tips |
|  | Permitted |
|  | Recommended |
|  | Not permitted or not recommended |
|  | Reference to device documentation |
|  | Reference to page |
|  | Reference to graphic |
|  | Result of an individual step |

1.3 Symbols on the device

| | |
|---|---|
|  | Reference to device documentation |
|  | Caution: Hazardous voltage |
|  | Do not dispose of products bearing this marking as unsorted municipal waste. Instead, return them to the manufacturer for disposal under the applicable conditions. |

1.4 Documentation


The following manuals complement these Operating Instructions and are available on the product pages on the Internet:

- Brief Operating Instructions for Liquiline System CA80SI, KA01281C
- Technical Information for Liquiline System CA80SI, TI01315C
- Operating Instructions for Memosens, BA01245C
 - Software description for Memosens inputs
 - Calibration of Memosens sensors
 - Sensor-specific diagnostics and troubleshooting
- Guidelines for communication via fieldbus and web server
 - PROFIBUS, SD01188C
 - Modbus, SD01189C
 - Web server, SD01190C
 - EtherNet/IP, SD01293C

2 Basic safety instructions

2.1 Requirements concerning personnel

- Installation, commissioning, operation and maintenance of the measuring system may be carried out only by specially trained technical personnel.
- The technical personnel must be authorized by the plant operator to carry out the specified activities.
- The electrical connection may be performed only by an electrical technician.
- The technical personnel must have read and understood these Operating Instructions and must follow the instructions contained therein.
- Faults at the measuring point may only be rectified by authorized and specially trained personnel.

 Repairs not described in the Operating Instructions provided must be carried out only directly at the manufacturer's site or by the service organization.

2.2 Intended use

The Liquiline System CA80SI is a wet-chemical analyzer for almost continuous determination of the concentration of silica in ultrapure water and boiler feedwater.

The analyzer is designed for use in the following applications:

- Ultrapure water
- Boiler feedwater
- Steam and condensate analysis
- Reverse osmosis
- Desalination systems

2.3 Reasonably foreseeable misuse

- ▶ Use of the device for any purpose other than that intended poses a threat to the safety of people and of the entire measuring system, and is therefore not permitted.
- ▶ The manufacturer is not liable for harm caused by unintended use.

2.4 Workplace safety

The operator is responsible for ensuring compliance with the following safety regulations:

- Installation guidelines
- Local standards and regulations
- Regulations for explosion protection

Electromagnetic compatibility

- The product has been tested for electromagnetic compatibility in accordance with the applicable international standards for industrial applications.
- The electromagnetic compatibility indicated applies only to a product that has been connected in accordance with these Operating Instructions.

2.5 Operational safety

Before commissioning the entire measuring point:

1. Verify that all connections are correct.
2. Ensure that electrical cables and hose connections are undamaged.

Procedure for damaged products:

1. Do not operate damaged products, and protect them against unintentional operation.
2. Label damaged products as defective.

During operation:

- ▶ If errors cannot be rectified, take products out of service and protect them against unintentional operation.

⚠ CAUTION**Activities while the analyzer is in operation**

Risk of injury and infection from medium!

- ▶ Before you release any hoses, make sure that no actions, such as the pumping of sample, are currently running or are due to start shortly.
- ▶ Wear protective clothing, goggles and gloves or take other suitable measures to protect yourself.
- ▶ Wipe up any spilt reagent with a disposable tissue and rinse with clear water. Then dry the cleaned areas with a cloth.

⚠ CAUTION**Risk of injury from door stop mechanism**

- ▶ Always open the door fully to ensure the door stop engages properly.

2.6 Product security

2.6.1 State-of-the-art

The product is designed to meet state-of-the-art safety requirements, has been tested, and left the factory in a condition in which it is safe to operate. The relevant regulations and international standards have been observed.

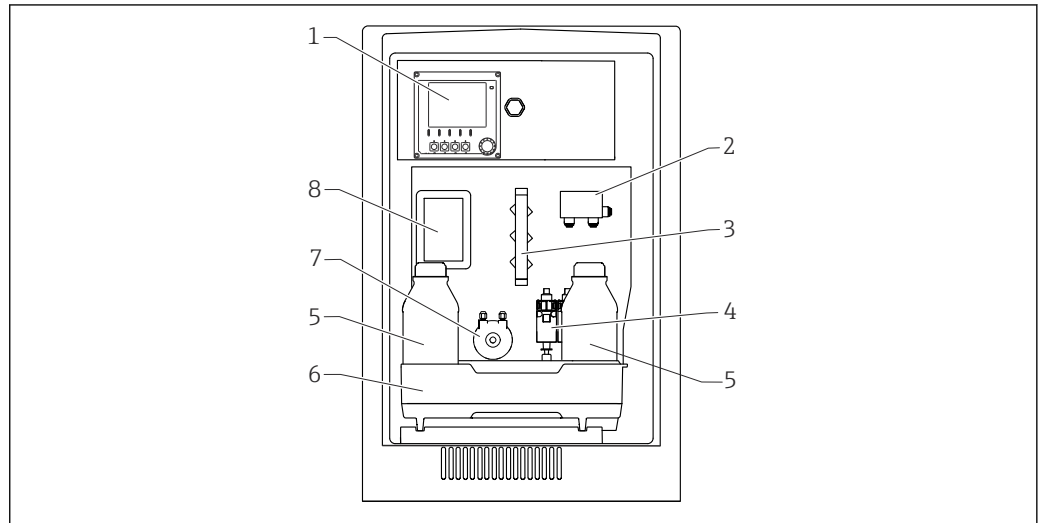
2.6.2 IT security

We only provide a warranty if the device is installed and used as described in the Operating Instructions. The device is equipped with security mechanisms to protect it against any inadvertent changes to the device settings.

IT security measures in line with operators' security standards and designed to provide additional protection for the device and device data transfer must be implemented by the operators themselves.

3 Product description

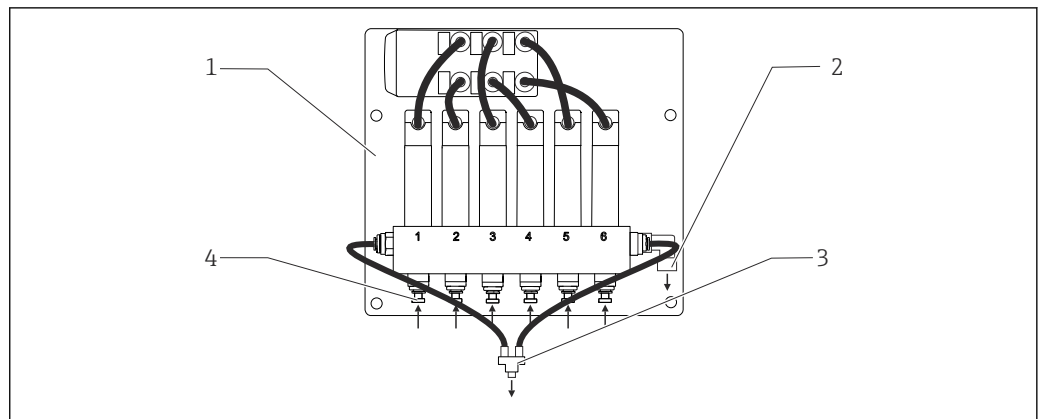
3.1 Product design



A0035815

1 Example of Liquiline System CA80SI 1-/2-channel version

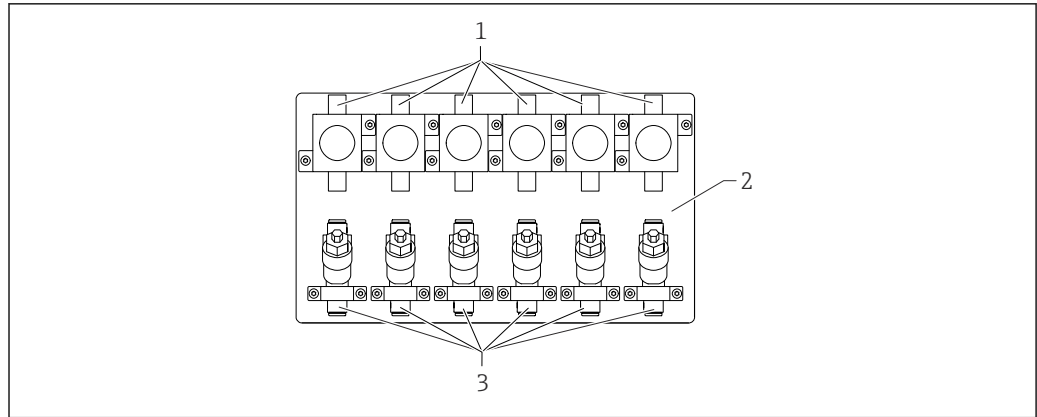
- 1 Controller
- 2 Sample channel switching (2-channel version)
- 3 Valve manifold
- 4 Dispensers
- 5 Reagent bottle
- 6 Bottle tray
- 7 Peristaltic pump for dosing the standard
- 8 Cover (in front of overflow cuvette and photometer)



A0036341

2 Example of Liquiline System CA80SI: Sample channel switching, 6-channel version

- 1 Panel
- 2 Overflow
- 3 Sample infeed to analyzer
- 4 Sample inlets



A0036338

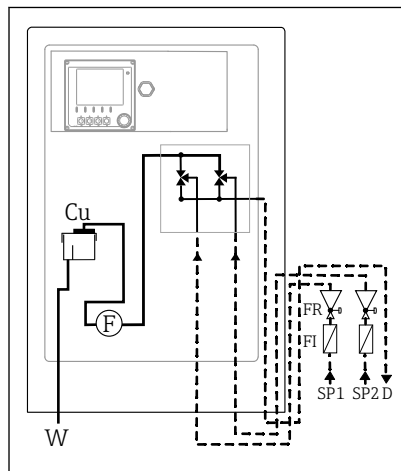
3 Example of Liquiline System CA80SI 4/6-channel version: panel with pressure relief valves and filters

- 1 Pressure relief valve
- 2 Panel
- 3 Filter

3.2 Measuring system

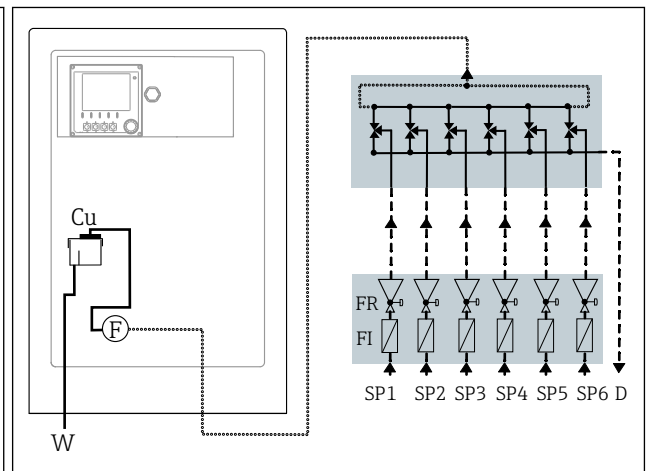
A complete measuring system comprises:

- Analyzer Liquiline System CA80SI with the configuration ordered
- Reagents and standard solution (to be ordered separately)
- Filter and pressure relief valve (enclosed separately with angle brackets in 1-/2-channel version, mounted on panel in 4-/6-channel version)
- Panel for sample channel switching: 4 /6 sample inlets (4-/6-channel version)



A0044806

4 1-/2-channel version: Measuring system with upstream pressure relief valves and filters



A0044807

5 4-/6-channel version: Measuring system with upstream pressure relief valves and filters on panel and external sample channel switching on panel

- | | | | |
|----|------------------|-----|---------------------------|
| Cu | Overflow cuvette | FR | Pressure relief valve |
| D | Sample outlet | SPx | Sample inlets, x = 1 to n |
| F | Flow sensor | W | Outlet |
| FI | Filter | | |

3.3 Device architecture

3.3.1 Slot and port assignment

Analyzer C8024A05G00

- ▶ Heartbeat diagnostics
- SP1 Analyzer* Slot
- CH1: 1:1 pH Glass ATC 6.95 pH
- CH2: 1:2 Cond e ATC 131.1 µS/cm
- Current output 1:1 22.5 mA
- Current output 1:2 22.5 mA
- Current output 4:1 22.5 mA
- Current output 4:2 22.5 mA

A0040671

8 Slots and ports on the display

* Analyzer measured value (parameter-specific)

6 Slot and port assignment

7 Slot and port assignment

- Inputs are assigned to measuring channels in the ascending order of the slots and ports. In the example above:
"CH1: 1:1 pH glass" means:
Channel 1 (CH1) is slot 1 (basic module) : Port 1 (input 1), pH glass sensor
- Outputs and relays are named according to their function, e.g. "current output", and are displayed in ascending order with the slot and port numbers
- Display shows SP1: analyzer measuring channel 1 with sampling point SP1 (measured value display is parameter-specific; is not illustrated in the example)

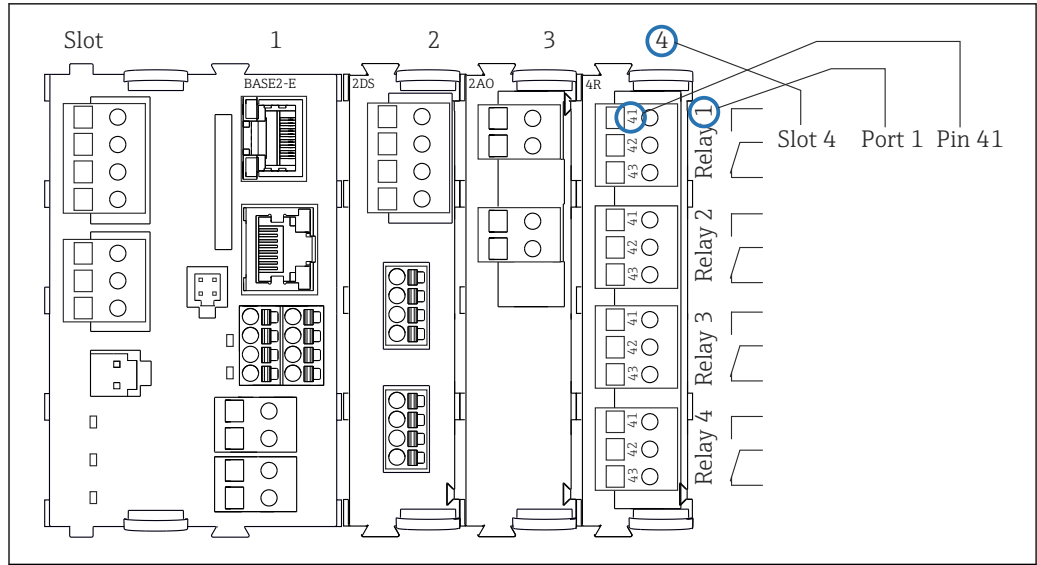
3.3.2 Terminal diagram

The unique terminal name is derived from:
Slot no. : Port no. : Terminal

Example, NO contact of a relay

Device with 4 inputs for digital sensors, 4 current outputs and 4 relays

- Base module BASE2-E (contains 2 sensor inputs, 2 current outputs)
- 2DS module (2 sensor inputs)
- 2AO module (2 current outputs)
- 4R module (4 relays)



A0039621

9 Creating a terminal diagram using the example of the NO contact (terminal 41) of a relay

4 Incoming acceptance and product identification

4.1 Incoming acceptance

1. Verify that the packaging is undamaged.
 - ↳ Notify the supplier of any damage to the packaging.
Keep the damaged packaging until the issue has been resolved.
2. Verify that the contents are undamaged.
 - ↳ Notify the supplier of any damage to the delivery contents.
Keep the damaged goods until the issue has been resolved.
3. Check that the delivery is complete and nothing is missing.
 - ↳ Compare the shipping documents with your order.
4. Pack the product for storage and transportation in such a way that it is protected against impact and moisture.
 - ↳ The original packaging offers the best protection.
Make sure to comply with the permitted ambient conditions.

If you have any questions, please contact your supplier or your local Sales Center.

NOTICE

Incorrect transportation can damage the analyzer

- ▶ Always use a lifting truck or a fork-lift to transport the analyzer.

4.2 Product identification

4.2.1 Nameplate

Nameplates can be found:

- On the inside of the door on the bottom right or on the front in the lower right-hand corner
- On the packaging (adhesive label, portrait format)

The following information on the device can be found on the nameplate:

- Manufacturer identification
- Order code
- Extended order code
- Serial number
- Firmware version
- Ambient and process conditions
- Input and output values
- Measuring range
- Activation codes
- Safety information and warnings
- Certificate information
- Approvals as per order version

- ▶ Compare the information on the nameplate with the order.

4.2.2 Identifying the product

Product page

www.endress.com/ca80si

Interpreting the order code

The order code and serial number of your product can be found in the following locations:

- On the nameplate
- In the delivery papers

Obtaining information on the product

1. Go to www.endress.com.
2. Page search (magnifying glass symbol): Enter valid serial number.
3. Search (magnifying glass).
 - ↳ The product structure is displayed in a popup window.
4. Click the product overview.
 - ↳ A new window opens. Here you fill information pertaining to your device, including the product documentation.

4.2.3 Manufacturer address

Endress+Hauser Conducta GmbH+Co. KG
 Dieselstraße 24
 70839 Gerlingen
 Germany

4.3 Scope of delivery

Scope of delivery

- 1 analyzer in the version ordered with optional hardware
- 1 x Brief Operating Instructions (hard copy)
- **Accessories enclosed:**
 - Wall bracket
 - Magnetic stir bar (for installation in cuvette)
 - 10 ml dispenser with hose (for draining cuvette and sample channel)
 - SD card (optional)
 - Supply hose
 - Sample outlet hose (for sample overflow)
 - Outlet hose (for overflow at cuvette)
 - 2 m Norprene hose ID 1.6 mm (for large reagent set)
 - Cable gland M32 PA (for large reagent set)
 - Counter nut M32 PA (for large reagent set)
 - O-ring ID 29.00 W 3.00 (for large reagent set)
 - Drain plug M32x1.5 with hole 4.9 (for large reagent set)

| | 1-channel | 2-channel | 4-channel | 6-channel |
|------------------------------------|--|---|---|---|
| Filters and pressure relief valves | 1 filter, 1 pressure relief valve with angle bracket | 2 filters, 2 pressure relief valves with angle brackets | Panel with 4 pre-installed filters and 4 pre-installed pressure relief valves | Panel with 6 pre-installed filters and 6 pre-installed pressure relief valves |
| Sample channel switching | in analyzer | in analyzer | pre-installed on panel | pre-installed on panel |

- ▶ If you have any queries:
Please contact your supplier or local sales center.

5 Installation

⚠ CAUTION

Incorrect transportation can cause injury and damage the device

- ▶ Always use a lifting truck or a fork-lift to transport the analyzer. Two people are needed for the installation.
- ▶ Lift the device by the recessed grips.

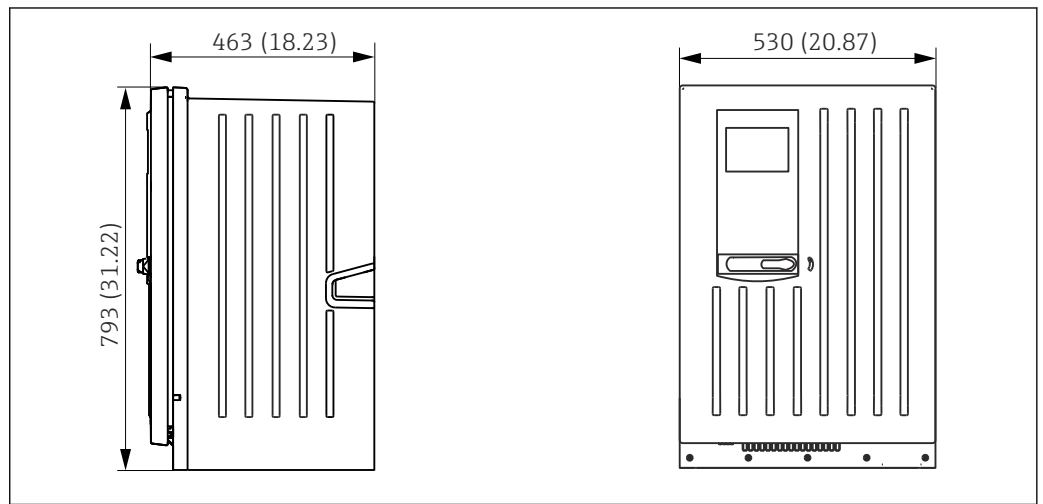
5.1 Installation requirements

5.1.1 Installation types

The device can be installed in the following ways:

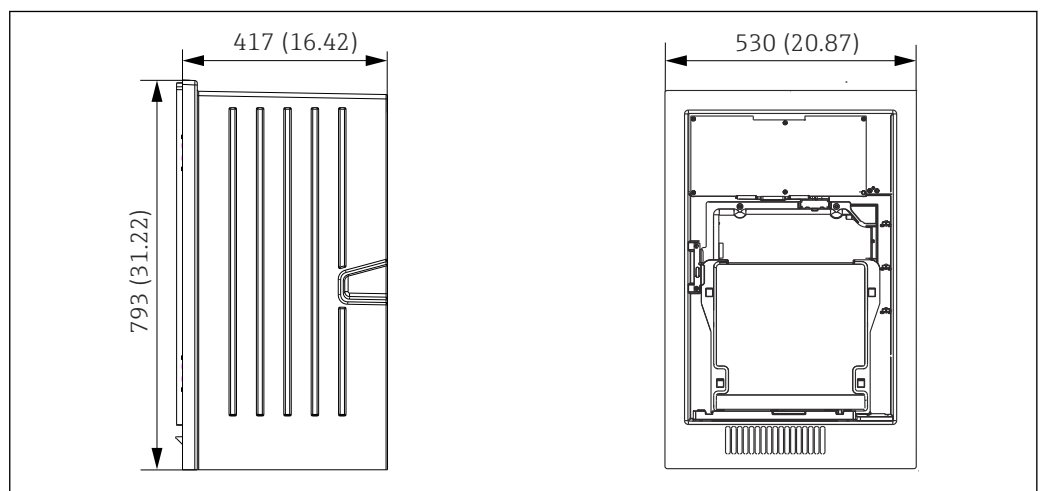
- Mounted on a wall
- Mounted on a base

5.1.2 Dimensions



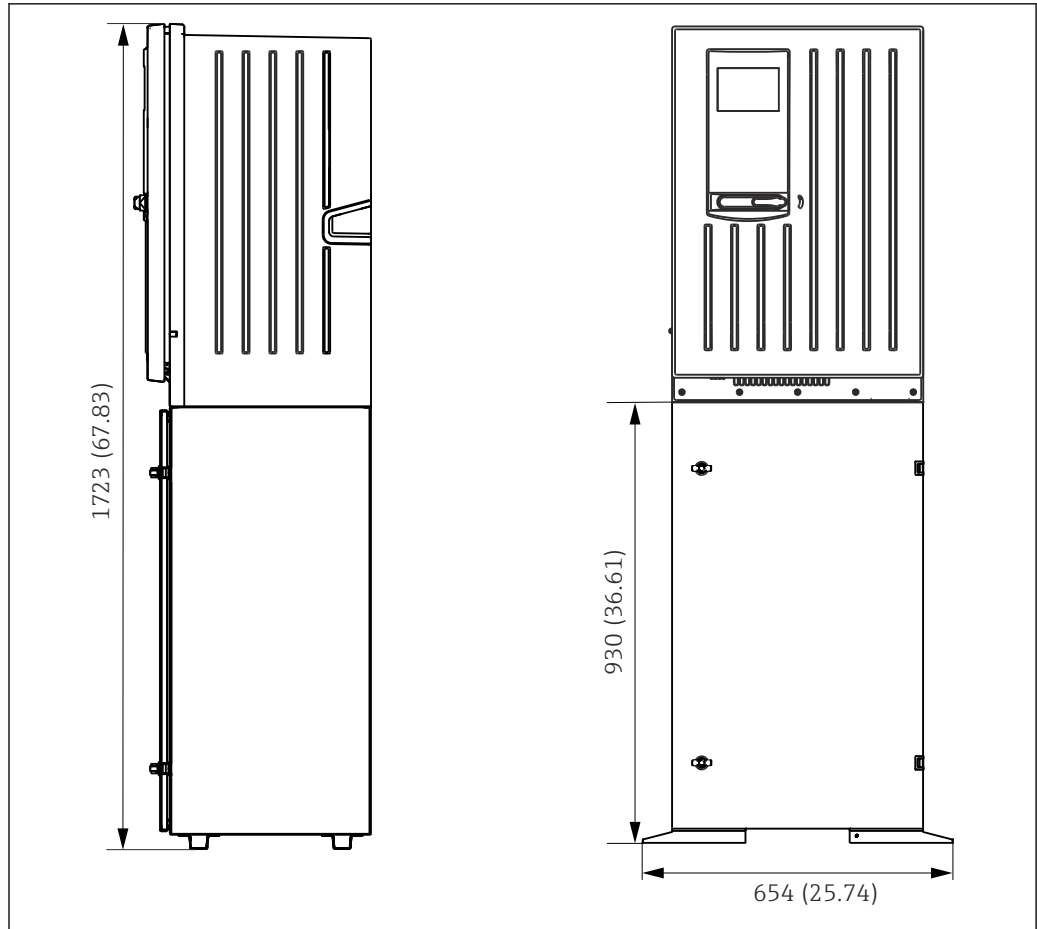
A0028820

10 Enclosed installation. Unit of measurement mm (in)



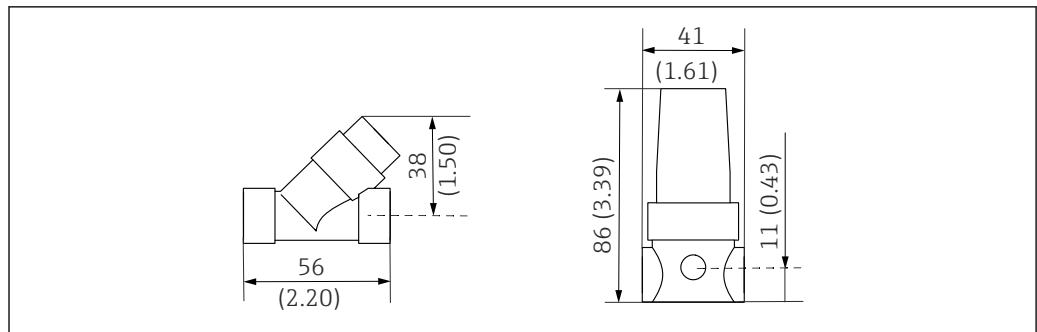
A0030419

11 Open installation. Unit of measurement mm (in)



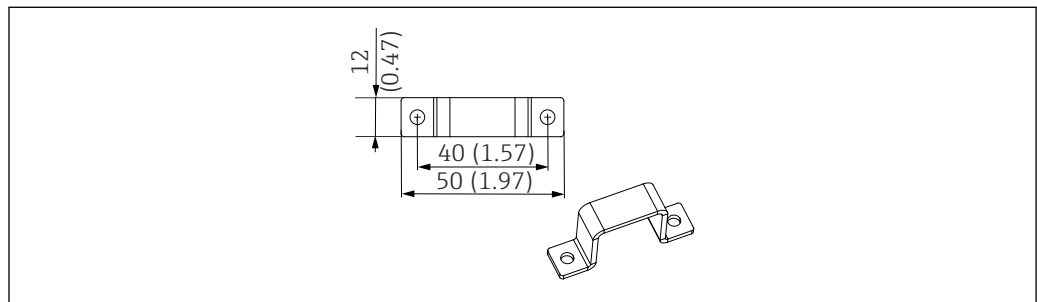
A0028821

12 With base. Unit of measurement mm (in)



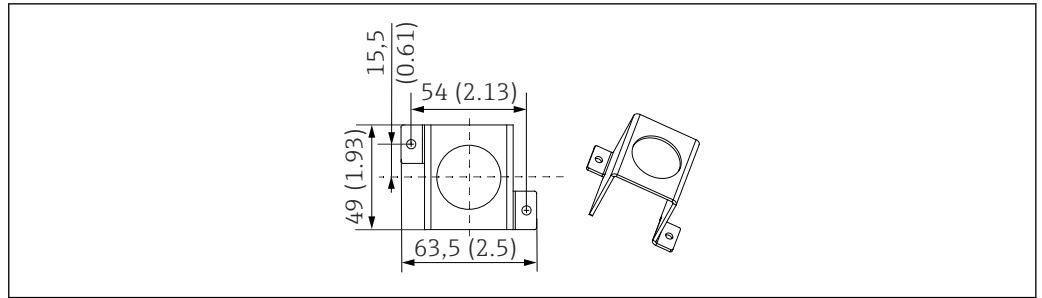
A0036334

13 1/2-channel version: filter (left), pressure-reducing valve (right). Unit of measurement mm (in)



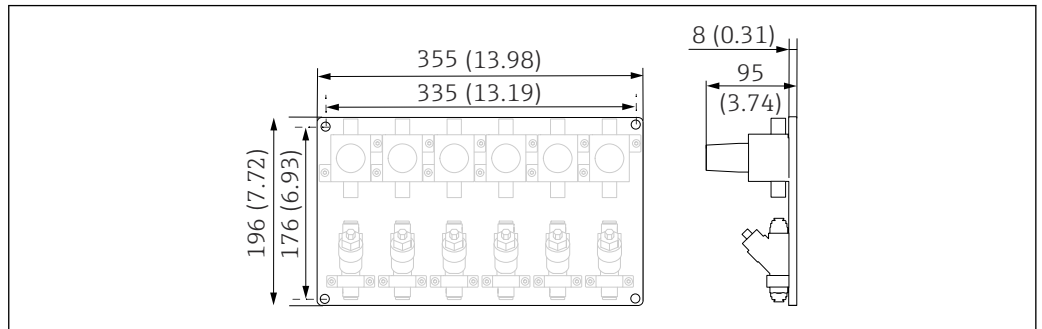
A0036665

14 Angle bracket (2 x M5) for filter. Unit of measurement mm (in)



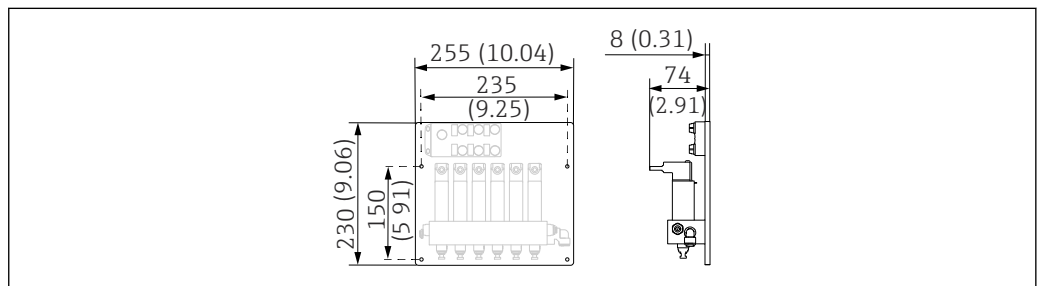
A0036664

15 Angle bracket (2 x M5) for pressure relief valve. Unit of measurement mm (in)



A0036389

16 4/6-channel version: panel with pressure relief device and filters. Unit of measurement mm (in)



A0036390

17 4/6-channel version: panel with sample channel switching. Unit of measurement mm (in)

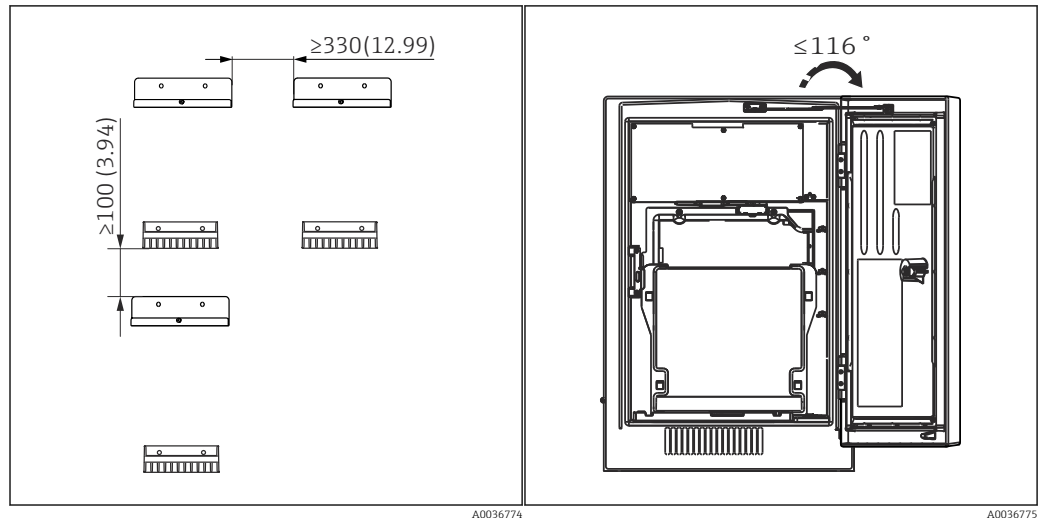
5.1.3 Installation point

Note the following when erecting the device:

- ▶ If mounting on a wall, make sure that the wall has sufficient load-bearing capacity and is fully perpendicular.
- ▶ If mounting on a base, set up the device on a level surface. Installing on a base is only permitted indoors.
- ▶ Protect the device against additional heating (e.g. from heaters).
- ▶ Protect the device against mechanical vibrations.
- ▶ Protect the device against corrosive gases, e.g. hydrogen sulfide (H₂S) and chlorine gases.
- ▶ Make sure to pay attention to the maximum height difference and the maximum distance from the sampling point.
- ▶ Ensure that sample outlet hose "D" and outlet hose "W" can drain freely, without any siphoning effects.
- ▶ Make sure air can circulate freely at the front of the housing.
- ▶ Open analyzers (i.e. analyzers that are supplied without a door) may only be set up in closed areas or in a protective cabinet or similar facility.

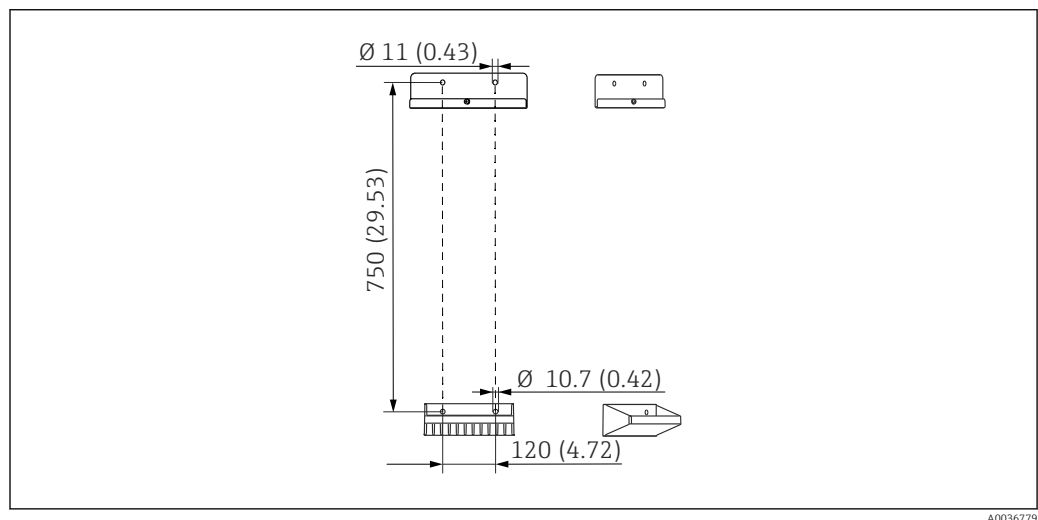
5.1.4 Spacing requirements when mounting

Spacing required for installing analyzer



18 Minimum spacing required for installation. Unit of measurement mm (in) 19 Maximum opening angle of measurement mm (in)

Spacing required for installing wall-mount version



20 Dimensions of holder. Unit of measurement mm (in)

5.2 Installing the analyzer

5.2.1 Mounting the analyzer on a wall

CAUTION

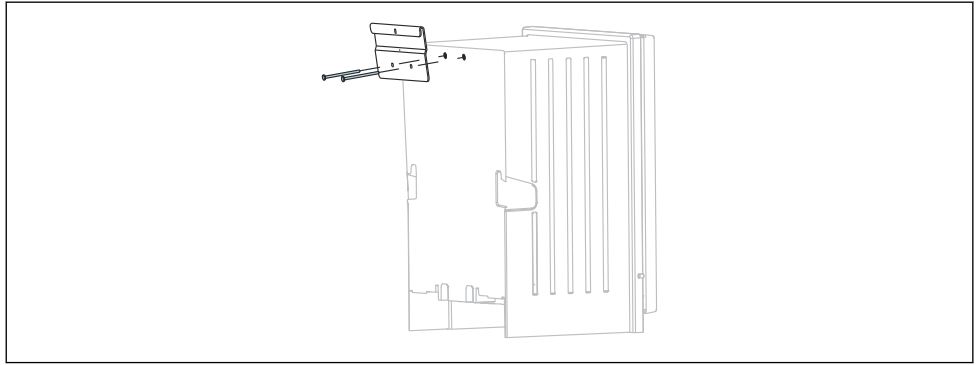
Incorrect installation can cause injury and damage the device

- ▶ If mounting on a wall, check that the analyzer is fully hooked into the wall holder unit at the top and bottom, and secure the analyzer to the upper wall holder unit using the securing screw.

The mounting materials required to secure the device to the wall are not supplied.

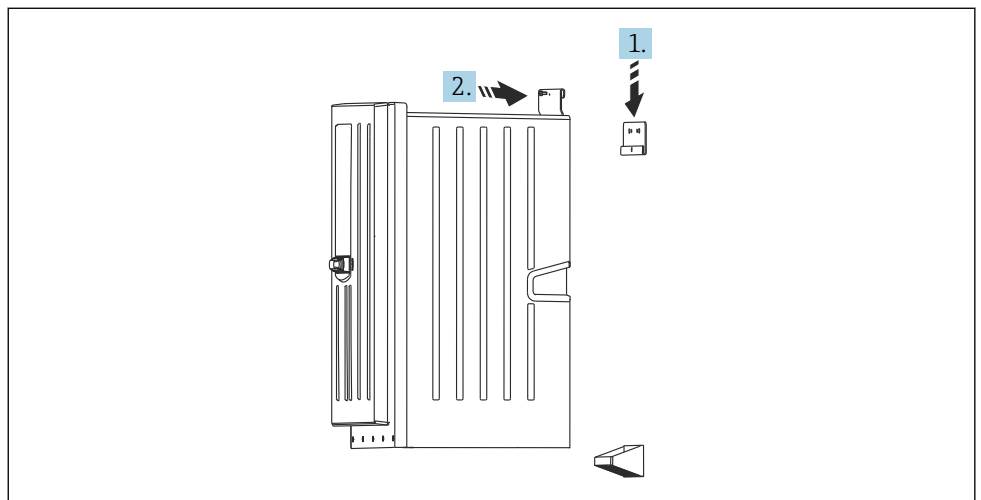
1. Provide the mounting materials to secure the device to the wall (screws, wall plugs) onsite.
2. Mount the wall holder unit (2 parts) on the wall.

3.



Secure the mount on the housing.

4.



A0036781

Hook the analyzer into the wall holder unit (1).

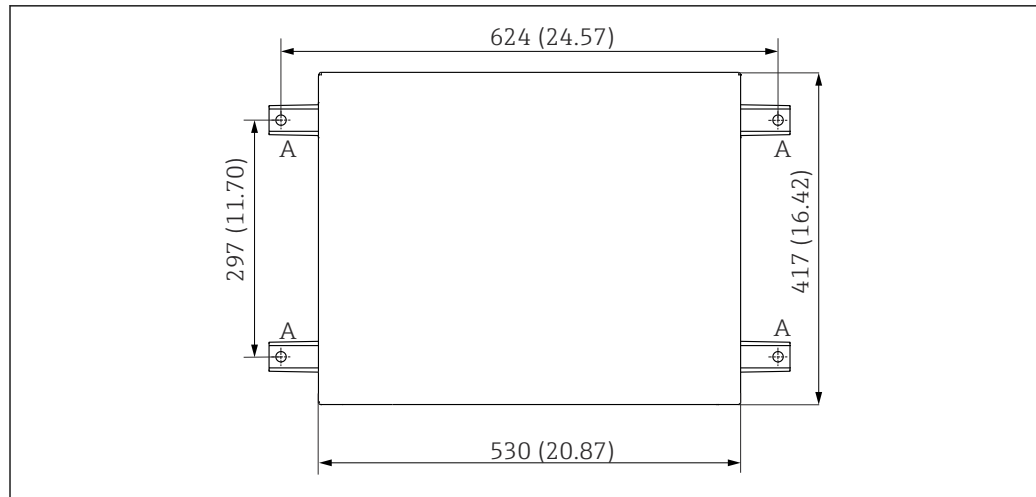
5. Fix the mount and wall holder unit in place with the screw supplied (2).

5.2.2 Installing version with analyzer stand

CAUTION

Incorrect installation can cause injury and damage the device

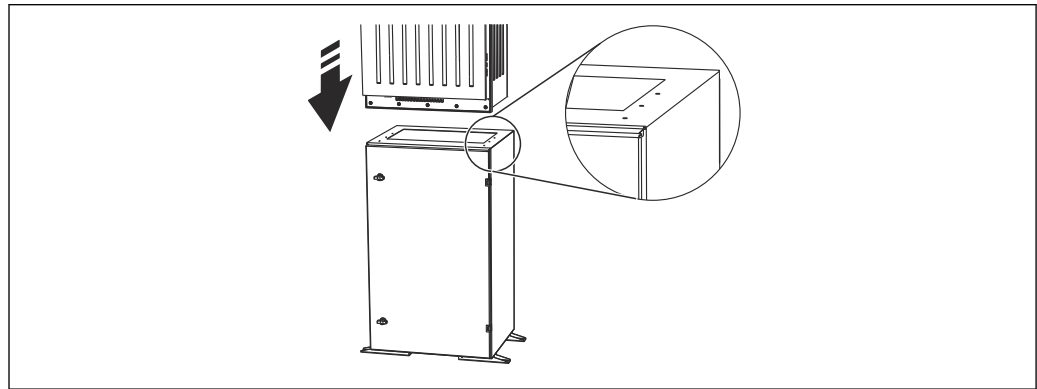
- ▶ If using the version with analyzer stand, make sure that the analyzer stand is secured to the floor.



A0036783

21 Foundation plan. Unit of measurement mm (in)

A Fasteners (4 x M10)



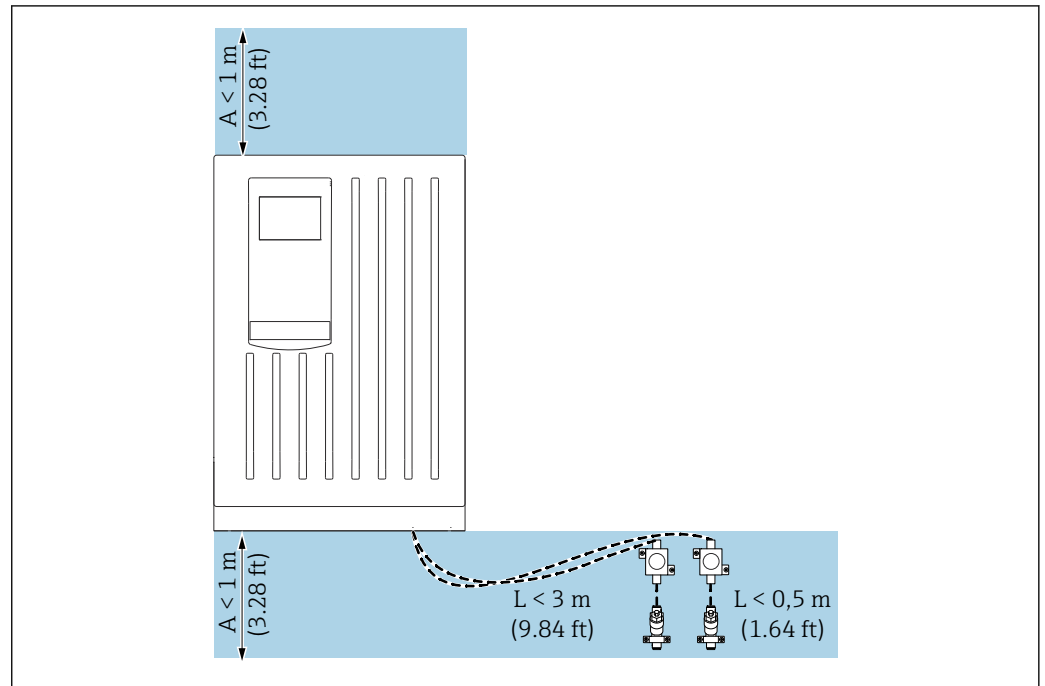
A0036785

22 Securing the base

1. Screw the base to the ground.
2. With 2 people, lift the analyzer and fit it on the base. Use the recessed grips.
3. Secure the base to the analyzer using the 6 screws supplied.

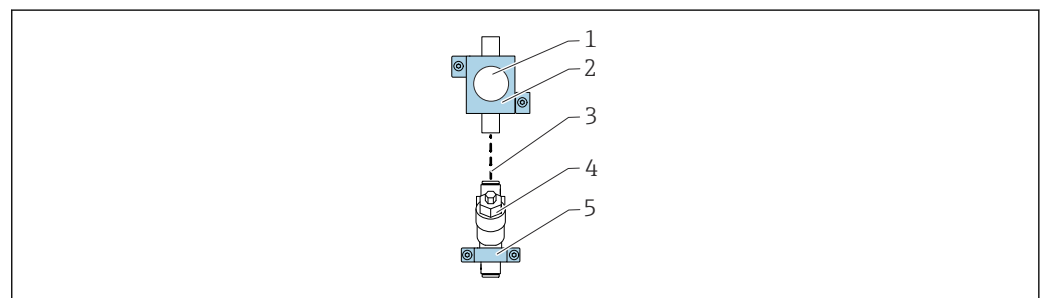
5.2.3 1-/2-channel version: Installing pressure relief valve and filter

1-/2-channel device: Installation area for pressure relief valve and filter



A0036573

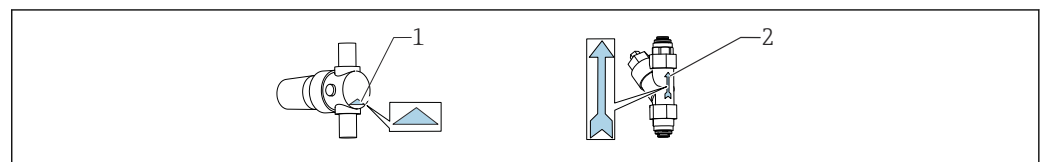
23 Permitted installation area, engineering unit m (ft)



A0036671

24 Installing angle brackets for pressure relief valve and filter

- 1 Pressure relief valve
- 2 Angle bracket for pressure relief valve
- 3 Hose piece (polyurethane hose, length should be < 0.5 m (1.64 ft))
- 4 Filter
- 5 Angle bracket for filter



A0045935

- 1 Correct flow direction of the pressure relief valve (indicated by triangle on pressure relief valve)
- 2 Correct flow direction of filter (indicated by arrow on filter)

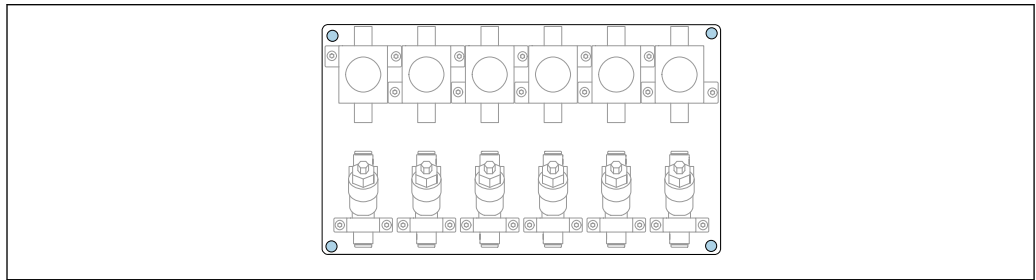
1. Cut hose piece (polyurethane hose) to the required length (< 0.5 m (1.64 ft)).
2. Mount pressure relief valve in angle bracket: Unscrew coupling nut, guide pressure relief valve through round opening, screw coupling nut back on.
3. Attach the hose piece to the push-in connector of the pressure relief valve.

4. Mount the pressure relief valve on a level surface, e.g. on a panel. Note the direction of flow.
5. Mount the filter with the angle bracket on a level surface, e.g. on a panel. Note the direction of flow. Connect the hose piece from the pressure relief valve to the push-in connector of the filter.

5.2.4 4-/6-channel version: Installing panel with pressure relief valves and filters

Mounting materials are not supplied.

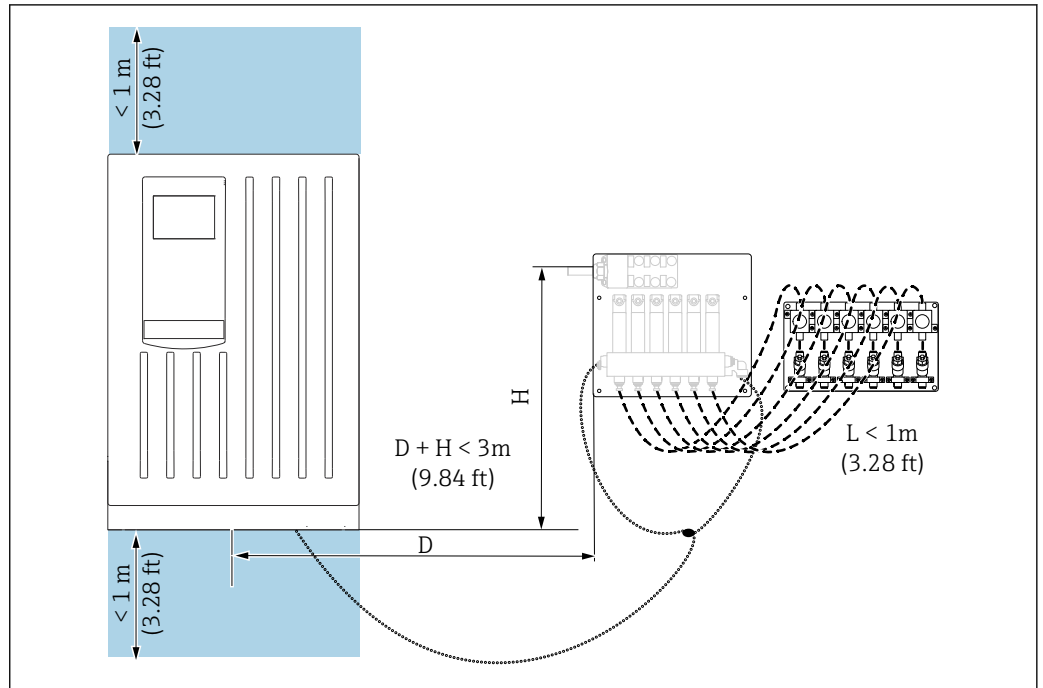
- Provide the mounting materials onsite.



A0036340

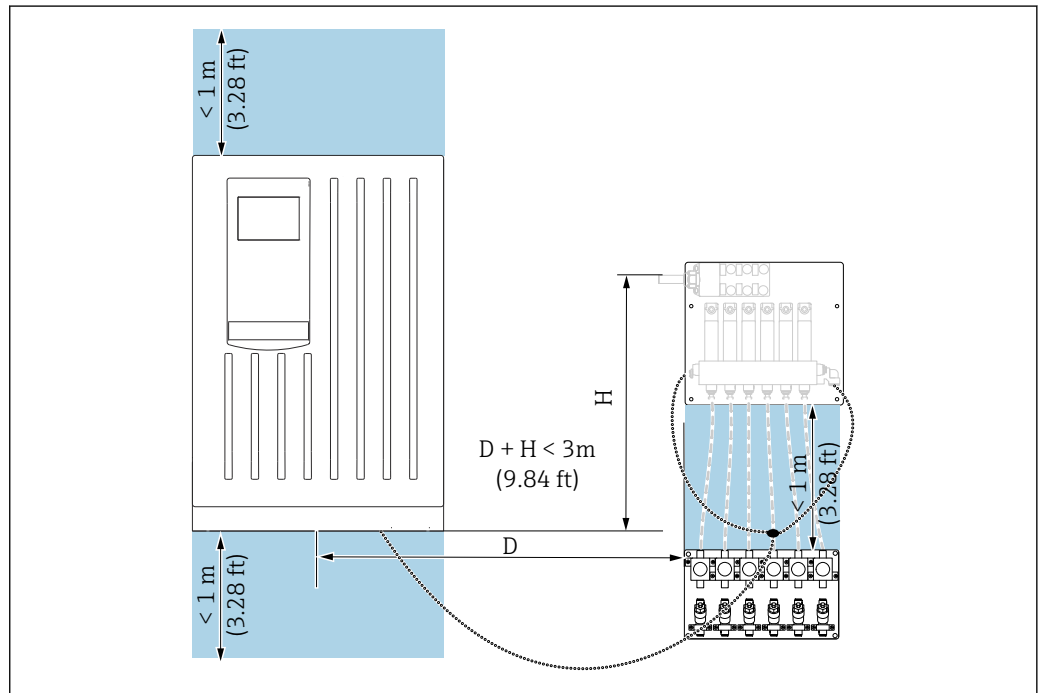
25 Panel with pressure relief valves and filters

4-/6-channel device: Installation area for sample channel switching and panel with pressure relief valves and filters



A0036574

26 Permitted installation area, can be installed to the left or right of the analyzer, engineering unit m (ft)

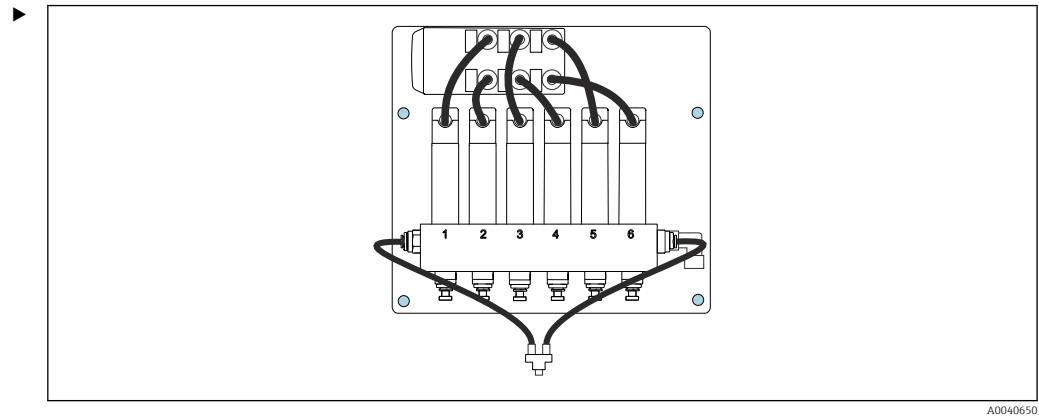


A0036667


27 Permitted installation area, engineering unit m (ft)

5.2.5 4-/6-channel version: Installing panel with sample channel switching

Mounting materials are not supplied; they must be provided by the customer onsite.



Mount the panel via the mounting boreholes (blue).

 Panel dimensions →  17

5.3 Post-mounting check

After mounting, check all the connections to ensure they are secure.

6 Electrical connection

⚠ WARNING

Device is live!

Incorrect connection may result in injury or death!

- ▶ The electrical connection may be performed only by an electrical technician.
- ▶ The electrical technician must have read and understood these Operating Instructions and must follow the instructions contained therein.
- ▶ **Prior** to commencing connection work, ensure that no voltage is present on any cable.
- ▶ Before establishing the electrical connection, verify that the pre-installed power cable meets the local national electrical safety specifications.

6.1 Connecting requirements

| | |
|---------------------------------------|--|
| Power supply cable | Power supply cable with protective contact plug; protective conductor resistance <math><0.1 \Omega</math> Order version CA80xx-CA (CSA C/US General Purpose): power supply cable as per North American standard |
| Mains voltage | The maximum mains voltage fluctuation may not be more than $\pm 10\%$ of the values indicated on the nameplate. |
| Analog, signal and transmission lines | e.g. LiYY 10 x 0.34 mm ² |

6.2 Connecting the analyzer

NOTICE

The device does not have a power switch

- ▶ You must install the device near (distance <math>< 3 \text{ m}</math> (10 ft)) an easily accessible and fused plug socket so that it can be disconnected from the power supply.
- ▶ Comply with the instructions for protective grounding when installing the analyzer.

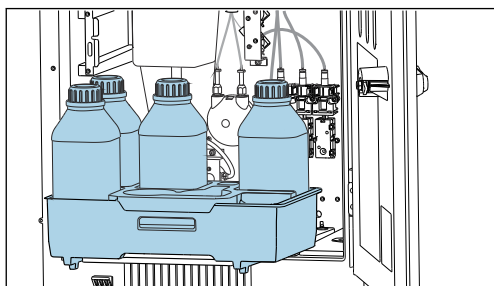
6.2.1 Routing the cable in the connection compartment

The analyzer is supplied with a pre-installed power cable.

- For cabinet versions, the cable length is approx. 4.3 m (14.1 ft) from the housing floor.
- For cabinet versions with CSA approval (CA8xXX-CA), the cable length from the base of the housing is 2.3 m (7.55 ft).
- For analyzer stands, the cable length is approx. 3.5 m (11.5 ft) from the foundation.

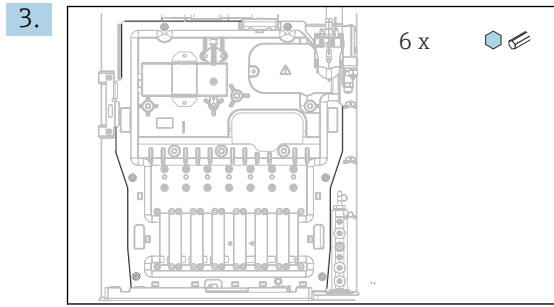
Connection of analog inputs and outputs, Memosens sensors or digital fieldbuses

1.

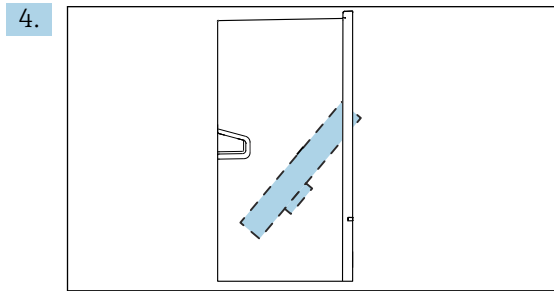


Remove the bottle tray: Lift up the recessed grip slightly and pull it towards the front.

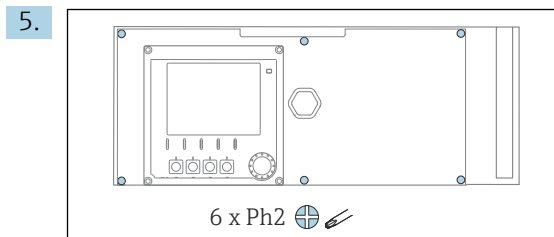
2. Remove all liquid-bearing sample lines.



Release the 6 screws on the carrier plate using a Torx screwdriver (T25).



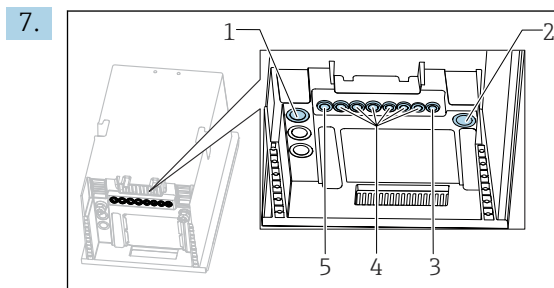
Fold out the carrier plate towards the front and remove.



Release the 6 screws on the electronics compartment cover using a Phillips-head screwdriver and fold out the cover towards the front.

6. Only for order versions with G or NPT glands:

Replace the pre-installed M-thread cable glands with the G or NPT cable glands that are enclosed. This does not affect the M32 hose glands.



- 1 Sample outlet hose "D" and either sample inlet hose SP1 and SP2 (1-/2-channel version) or SPx (4-/6-channel version)
- 2 Outlet hose "W"
- 3 4-/6-channel version: Cable connection for panel
- 4 Connections for sensors, signal lines
- 5 Power cable (factory-connected)

Guide the cables through the cable glands on the bottom of the device.

For all versions

8. Route the cables on the rear panel of the device so that they are properly protected. Use cable clips.

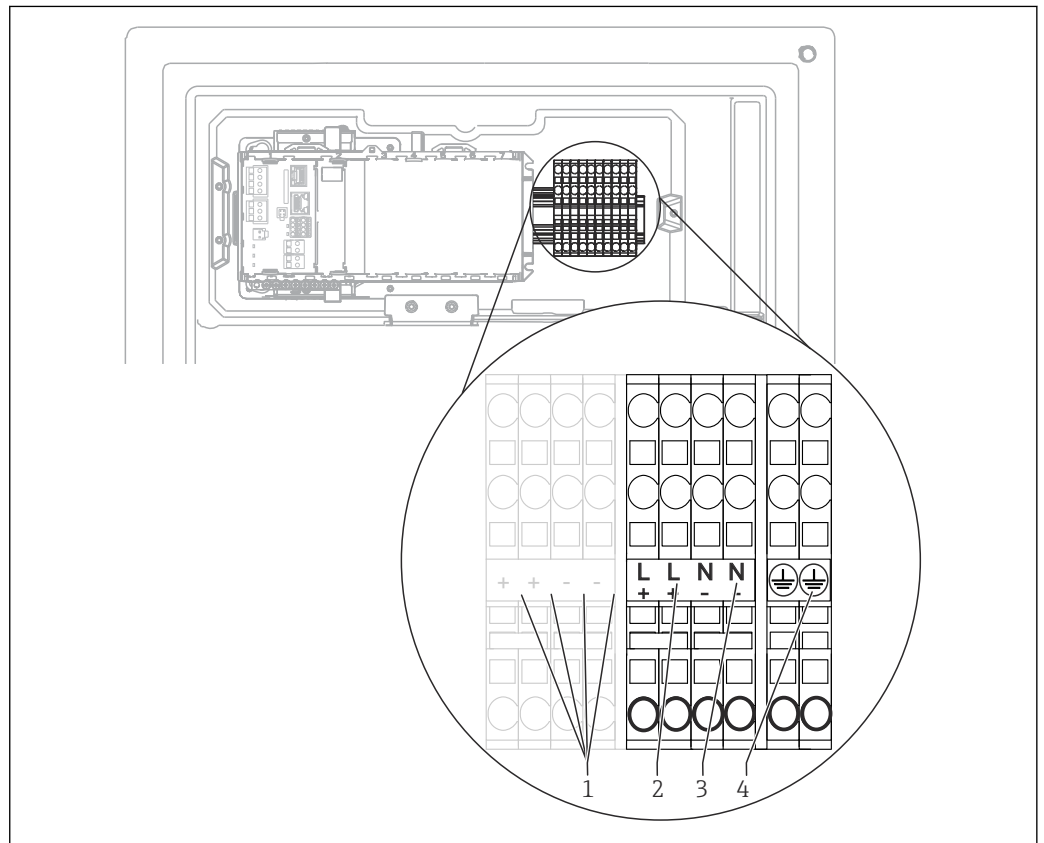
9. Guide the cable to the electronics compartment.

After connecting:

1. Secure the electronics compartment cover with the 6 screws.
2. Fold up the carrier plate and use the 6 screws to secure it after connecting.
3. Tighten the cable glands on the bottom of the device to secure the cables.
4. Place the bottle tray back into the housing.

6.2.2 Connecting the power cable

1. To access the electronics compartment, proceed as described in the "Routing the cables" section (→ 25).
2. Guide the connecting cable from below through the cable gland on the inner rear panel of the device and feed it up into the electronics compartment.
3. Connect the power supply.



28 Terminal assignment

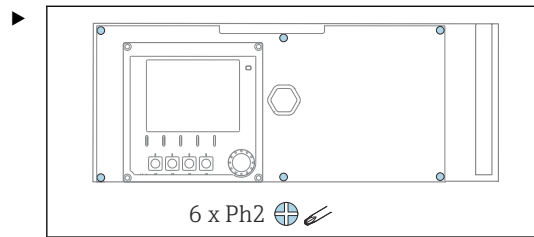
- 1 Internal 24 V voltage
- 2 L
- 3 N
- 4 Protective ground connection

A0044092

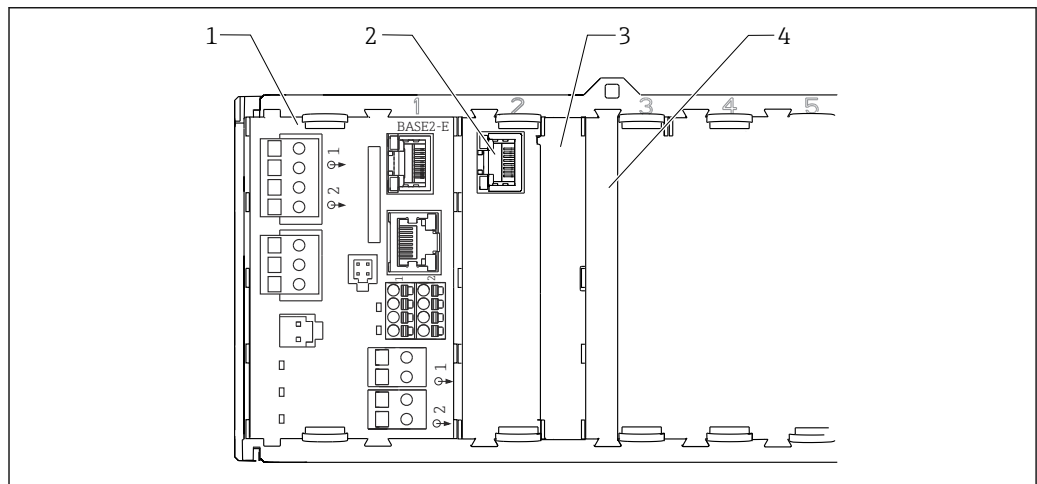
6.3 Connecting the sensors and additional modules

6.3.1 Overview of connection compartment in the controller housing


The controller has a separate connection compartment.



Release the 6 screws on the electronics compartment cover using a Phillips-head screwdriver and fold out the cover towards the front.

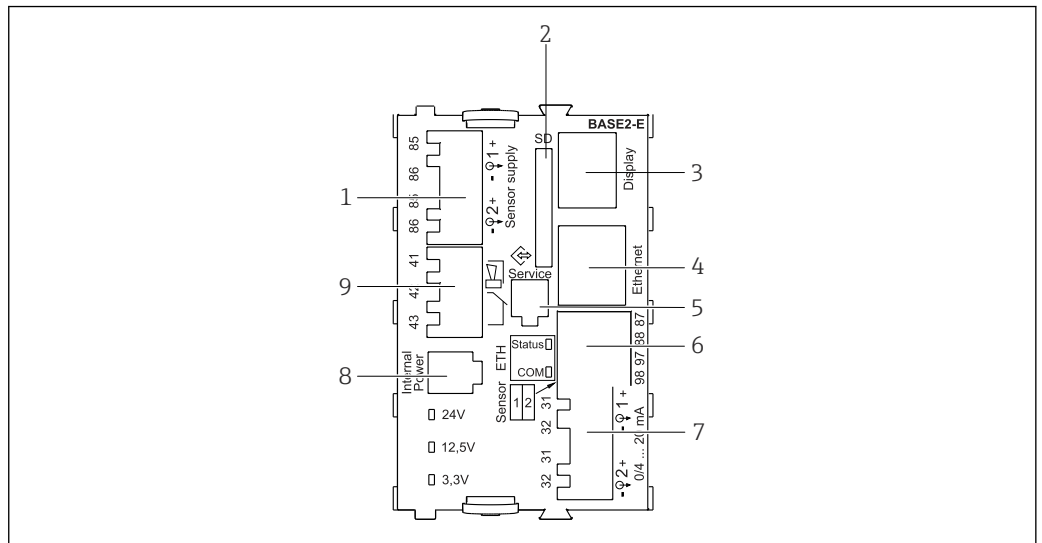


A0044867

 29 Connection compartment in the controller housing

- 1 Base module Base2-E
- 2 Analyzer interface
- 3 Dummy cover
- 4 Module cover

Base module E



A0042273

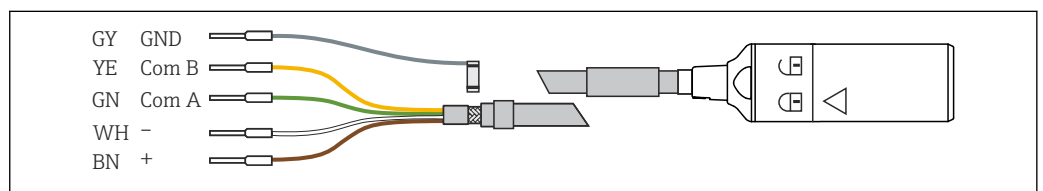
30 BASE2-E

- 1 Power supply for digital fixed cable sensors with Memosens protocol
- 2 SD card slot
- 3 Slot for display cable ¹⁾
- 4 Ethernet interface
- 5 Service interface
- 6 Connections for 2 Memosens sensors
- 7 Current outputs
- 8 Socket for internal power supply cable ¹⁾
- 9 Alarm relay connection

¹⁾ Internal device connection. Do not disconnect the plug!

6.3.2 Connecting the sensors

i Only use terminated original cables where possible.



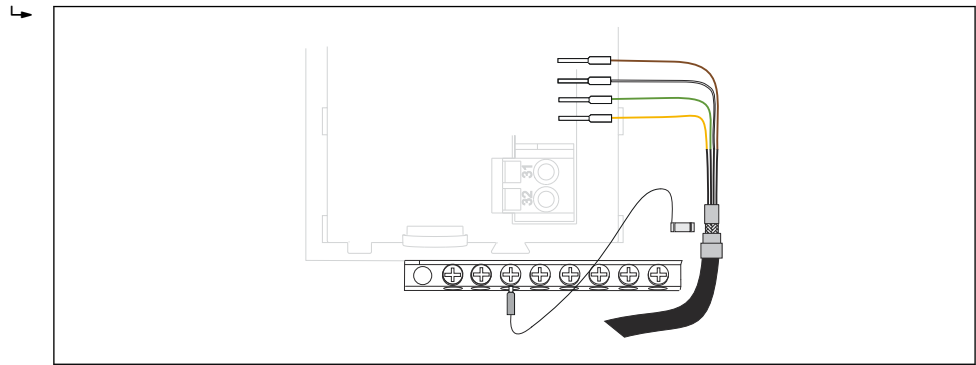
A0024019

31 Example of a Memosens CYK10 data cable

Connecting the ferrules of the sensor cable to the base module E

1. To access the electronics compartment, proceed as described in the "Routing the cables" section .
2. Guide the sensor connecting cable from below through the cable gland on the inner rear panel of the device and feed it up into the electronics compartment.
3. Establish the connection as per → **31**, **29**.

4. Ground the outer shield of the cable via the metal gland on the grounding rail below the base module E.



32 Terminal strip

A0028930

6.3.3 Connecting additional inputs, outputs or relays

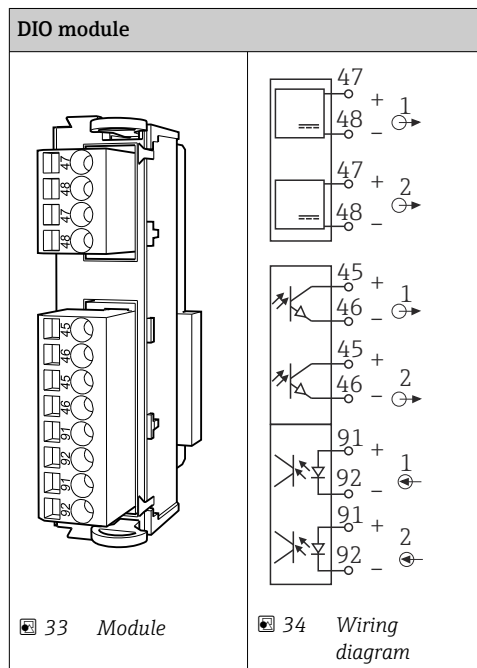
WARNING

Module not covered

No shock protection. Danger of electric shock!

- ▶ Change or extend the hardware for the **non-hazardous area**: always fill the slots from left to right. Do not leave any gaps.
- ▶ If all of the slots are not occupied in the case of devices for the **non-hazardous area**: always insert a dummy cover or end cover in the slot to the right of the last module → 29, 28. This ensures that the unit is shock-protected.
- ▶ Always ensure shock protection is guaranteed particularly in the case of relay modules (2R, 4R, AOR).
- ▶ Hardware for the **hazardous area** may not be modified. Only the Manufacturer's Service Team may convert a certified device to another certified device version. This includes all modules of the transmitter with an integrated 2DS Ex-i module, as well as changes that concern non-intrinsically safe modules.
- ▶ If additional shields are required, connect them with PE centrally in the control cabinet via terminal blocks supplied by the customer.

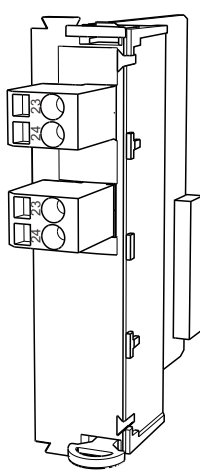
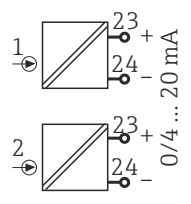


Digital inputs and outputs



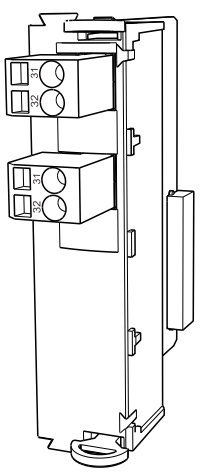
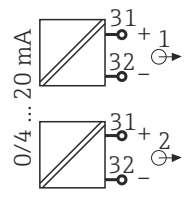
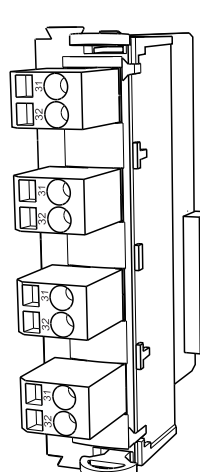
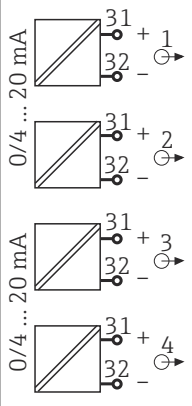




33 Module

34 Wiring diagram

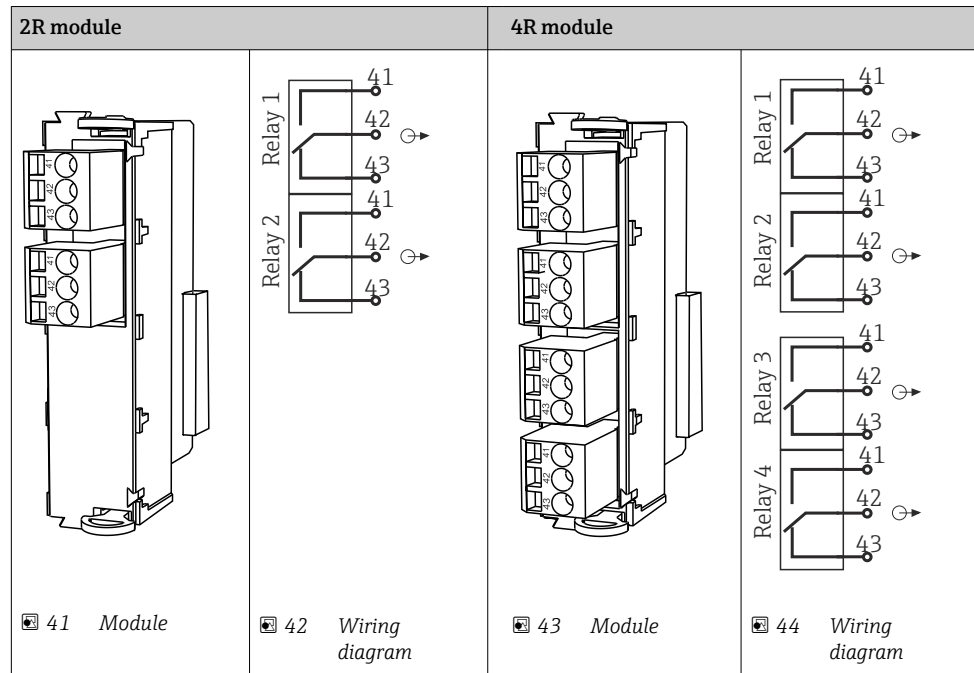
Current inputs

| 2AI module | |
|--|--|
|  |  |
|  35 <i>Module</i> |  36 <i>Wiring diagram</i> |

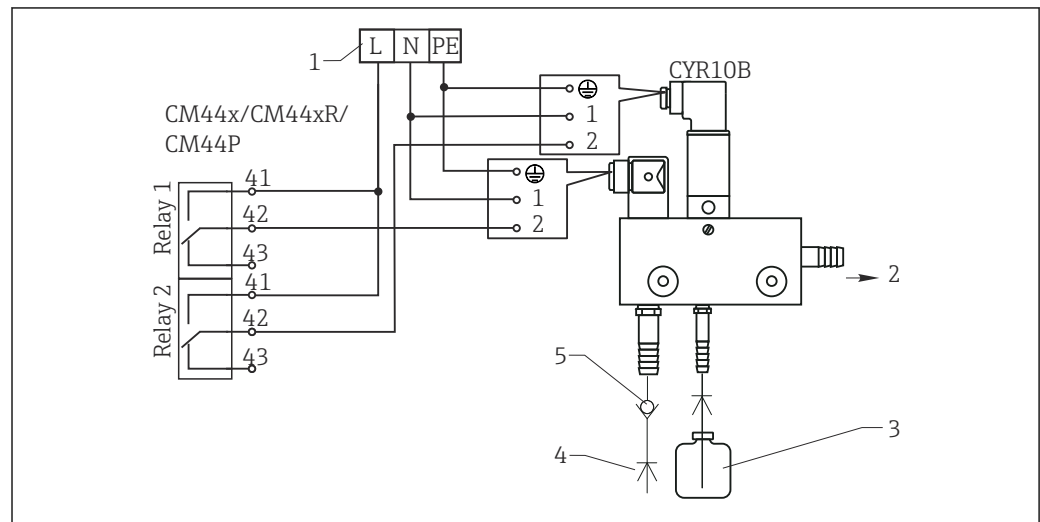
Current outputs

| 2AO | | 4AO | |
|--|--|---|--|
|  |  |  |  |
|  37 <i>Module</i> |  38 <i>Wiring diagram</i> |  39 <i>Module</i> |  40 <i>Wiring diagram</i> |

Relay



Example: Connecting the Chemoclean CYR10B injector cleaning unit

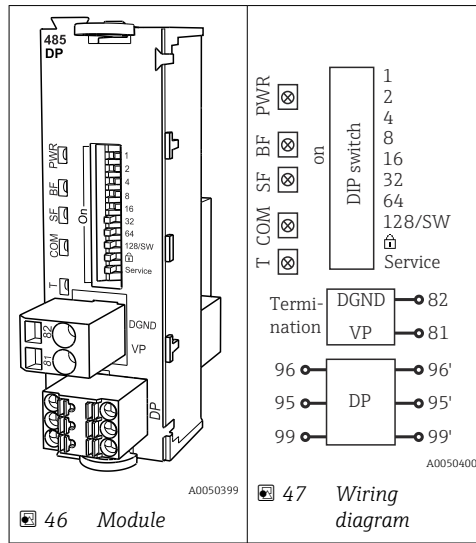


45 Connecting the CYR10B injector cleaning unit

- 1 External power supply
- 2 Cleaner to spray head
- 3 Container with cleaner
- 4 Motive water 2 to 12 bar (30 to 180 psi)
- 5 Backflow valve (to be provided by the customer)

6.3.4 Connecting PROFIBUS DP or Modbus RS485

Module 485DP



| Terminal | PROFIBUS DP |
|----------|---------------|
| 95 | A |
| 96 | B |
| 99 | Not connected |
| 82 | DGND |
| 81 | VP |

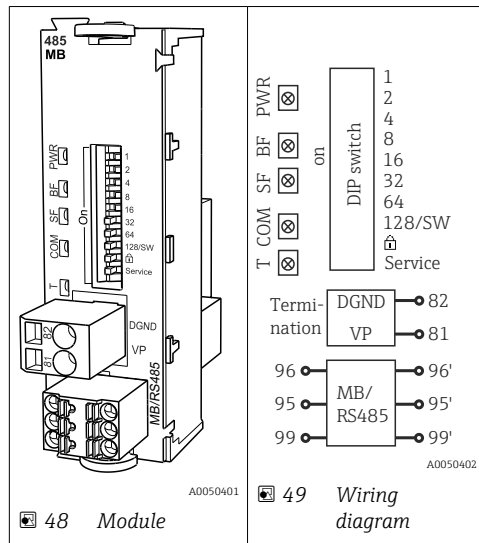
LEDs on front of module

| LED | Designation | Color | Description |
|-----|-----------------|-------|--|
| PWR | Power | GN | Supply voltage is applied and module is initialized. |
| BF | Bus failure | RD | Bus failure |
| SF | System failure | RD | Device error |
| COM | Communication | YE | PROFIBUS message sent or received. |
| T | Bus termination | YE | <ul style="list-style-type: none"> ■ Off = No termination ■ On = Termination is used |

DIP switches on front of module

| DIP | Factory setting | Assignment |
|---------|-----------------|---|
| 1-128 | ON | Bus address (→ "Commissioning/communication") |
| 🔒 | OFF | Write protection: "ON" = configuration not possible via the bus, only via local operation |
| Service | OFF | The switch has no function |

Module 485MB



| Terminal | Modbus RS485 |
|----------|--------------|
| 95 | B |
| 96 | A |
| 99 | C |
| 82 | DGND |
| 81 | VP |

LEDs on front of module

| LED | Designation | Color | Description |
|-----|-----------------|-------|--|
| PWR | Power | GN | Supply voltage is applied and module is initialized. |
| BF | Bus failure | RD | Bus failure |
| SF | System failure | RD | Device error |
| COM | Communication | YE | Modbus message sent or received. |
| T | Bus termination | YE | <ul style="list-style-type: none"> ■ Off = No termination ■ On = Termination is used |

DIP switches on front of module

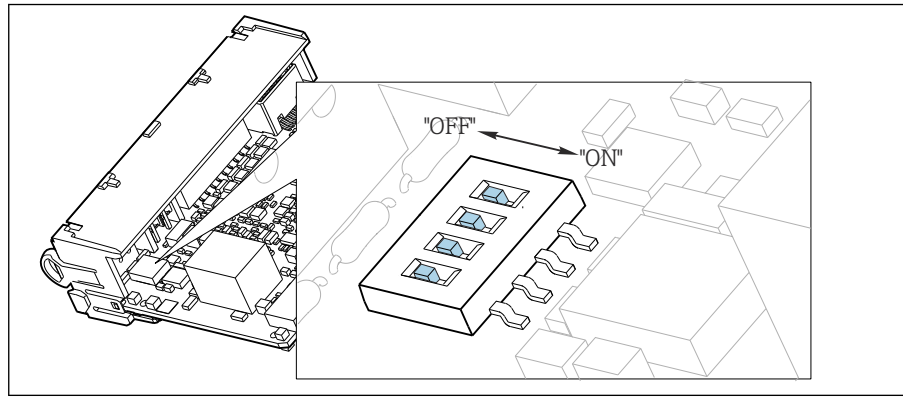
| DIP | Factory setting | Assignment |
|---------|-----------------|---|
| 1-128 | ON | Bus address (→ "Commissioning/communication") |
| ⏏ | OFF | Write protection: "ON" = configuration not possible via the bus, only via local operation |
| Service | OFF | The switch has no function |

6.4 Hardware settings

6.4.1 Bus termination (only for module 485DP or 485MB)

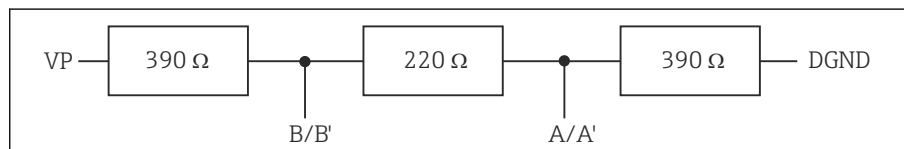
There are 2 ways to terminate the bus:

1. **Internal termination** (via DIP switch on module board)



50 DIP switch for internal termination

- ▶ Using a suitable tool such as a tweezer, move all four DIP switches to the "ON" position.
 - ↳ The internal termination is used.



51 Structure of internal termination

2. External termination

Leave the DIP switches on the module board in the "OFF" position (factory setting).

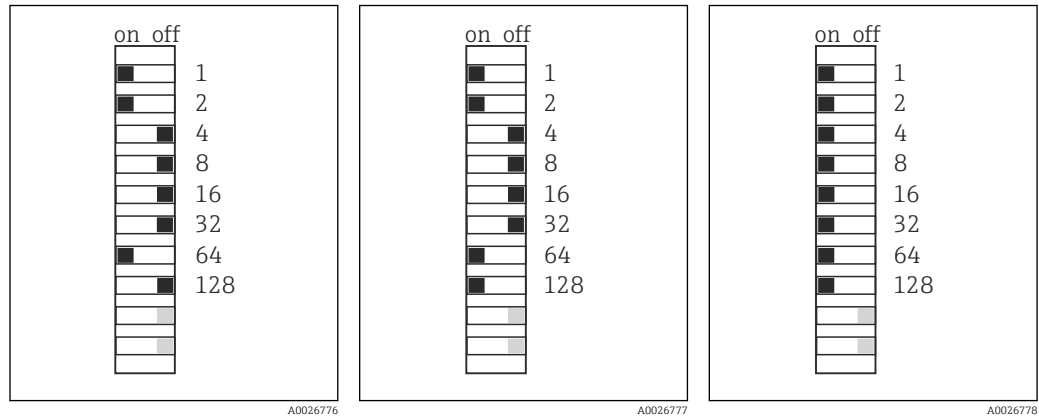
- ▶ Connect the external termination to terminals 81 and 82 on the front of module 485DP or 485MB for 5-V power supply.
 - ↳ The external termination is used.

6.4.2 Bus address

Setting the bus address

1. Open the housing.
2. Set the desired bus address via the DIP switches of module 485DP or 485MB.

i For PROFIBUS DP, valid bus addresses are anything between 1 and 126, and anything between 1 and 247 for Modbus. If you configure an invalid address, software addressing is automatically enabled via the local configuration or via the fieldbus.



52 Valid PROFIBUS address 67 53 Valid Modbus address 195 54 Invalid address 255 ¹⁾

¹⁾ Order configuration, software addressing is active, software address configured at the factory: PROFIBUS 126, Modbus 247

6.5 Ensuring the degree of protection

Only the mechanical and electrical connections which are described in these instructions, and which are necessary for the required intended use, may be established on the device delivered.

- ▶ Exercise care when carrying out the work.

Individual types of protection permitted for this product (impermeability (IP), electrical safety, EMC interference immunity, explosion protection) can no longer be guaranteed if, for example:

- Covers are left off
- Different power units to the ones supplied are used
- Cable glands are not sufficiently tightened (must be tightened with 2 Nm (1.5 lbf ft) for the permitted level of IP protection)
- Unsuitable cable diameters are used for the cable glands
- Modules are not fully secured
- The display is not fully secured (risk of moisture entering due to inadequate sealing)
- Cables/cable ends are loose or insufficiently tightened
- Conductive cable strands are left in the device

6.6 Post-connection check

⚠ WARNING

Connection errors

The safety of people and of the measuring point is at risk! The manufacturer does not accept any responsibility for errors that result from failure to comply with the instructions in this manual.

- ▶ Put the device into operation only if you can answer **yes** to **all** the following questions.

Device condition and specifications

- ▶ Are the device and all the cables free from damage on the outside?

Electrical connection

- ▶ Are the mounted cables strain relieved?
- ▶ Are the cables routed without loops and cross-overs?
- ▶ Are the signal cables correctly connected as per the wiring diagram?
- ▶ Are all plug-in terminals securely engaged?
- ▶ Are all the connection wires securely positioned in the cable terminals?

7 System integration

7.1 Overview of device description files

7.1.1 Device identification

→ 📄 165, protocol-specific data

7.1.2 Source for device description and device master files

Downloading device drivers

1. Go to the website: www.endress.com/downloads.
↳ A dropdown list is displayed.
2. Select: device driver.
3. Narrow your search by specifying the driver type, product root and communication protocol.
4. Search.
5. Click the suitable entry from the list of hits.
↳ You receive the download links including an extended description.

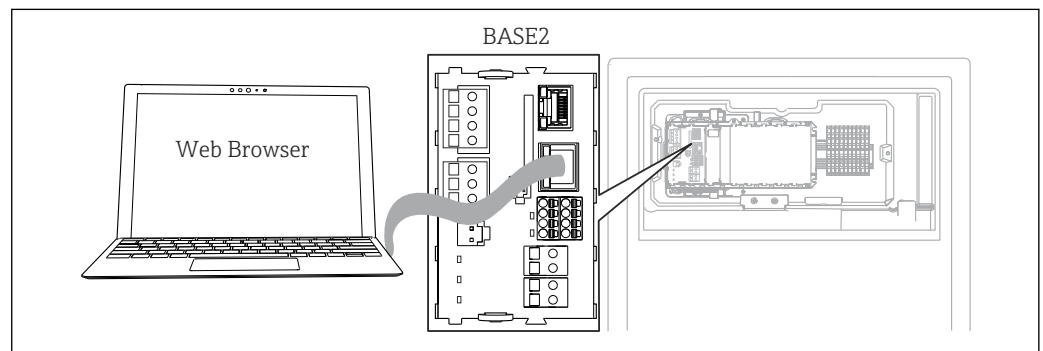
7.2 Integrating the measuring instrument into the system

7.2.1 Web server

i Versions without fieldbus: An activation code is required for the web server.

Connection

- ▶ Connect the communication cable of the computer to the Ethernet port of the BASE2 module.



📄 55 Web server/Ethernet connection

A0044872

Establishing the data connection

All versions with the exception of PROFINET:

To ensure that your device has a valid IP address, you must disable the **DHCP** parameter in the Ethernet settings. (**Menu/Setup/General settings/Extended setup/Ethernet/Settings**)


You can assign the IP address manually in the same menu (for point-to-point connections).

All versions including PROFINET:

You will find the IP address and subnet mask of the device under: **DIAG/System information/Ethernet**.

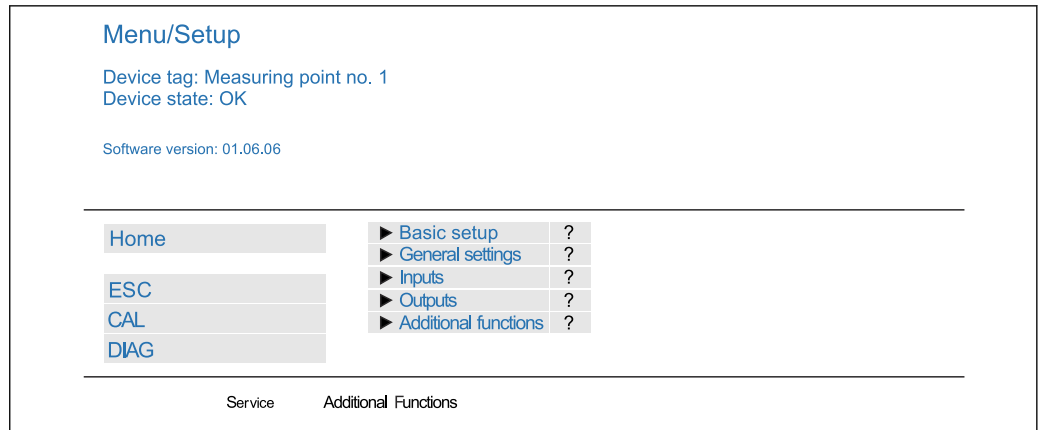
1. Start your PC.
2. First, configure a manual IP address in the network connection settings of the operating system.

Example: Microsoft Windows 10

3. Open Network and Sharing Center.
 - ↳ Apart from your standard network, you should see an additional Ethernet connection (e.g. as an "unidentified network").
 4. Select the link to this Ethernet connection.
 5. In the pop-up window select the "Properties" button.
 6. Double-click "Internet Protocol Version 4 (TCP/IPv4)".
 7. Select "Use the following IP Address".
 8. Enter the desired IP address. This address must be in the same subnet as the IP address of the device, e.g.:
 - ↳ IP address for Liquiline: 192.168.1.212 (as configured previously)
 - IP address for PC: 192.168.1.213.
 9. Start the Internet browser.
 10. If you use a proxy server to connect to the Internet:
 - Disable the proxy (browser settings under "Connections/LAN settings").
 11. Enter the IP address of your device in the address bar (192.168.1.212 in the example).
 - ↳ The system takes a few moments to establish the connection and then the CM44 web server starts. You might be asked for a password. The factory setting is "admin" for the user name and "admin" for the password.
 12. Enter the following address(es) to download logbooks:
 - ↳ 192.168.1.212/logbooks_csv.fhtml (for logbooks in CSV format)
 - 192.168.1.212/logbooks_fdm.fhtml (for logbooks in FDM format)
-  Downloads in FDM format can be securely transmitted, saved and visualized with Endress+Hauser's "Field Data Manager Software".
- (→ www.endress.com/ms20)

Operation

The menu structure of the web server corresponds to the onsite operation.



56 Example of web server (menu/language=English)

- Clicking a menu name or a function corresponds to pressing the navigator.
- You can make your settings conveniently via the computer keyboard.

i Instead of using an Internet browser, you can also use FieldCare for configuration via Ethernet. The Ethernet DTM required for this is an integral part of the "Endress +Hauser Interface Device DTM Library".

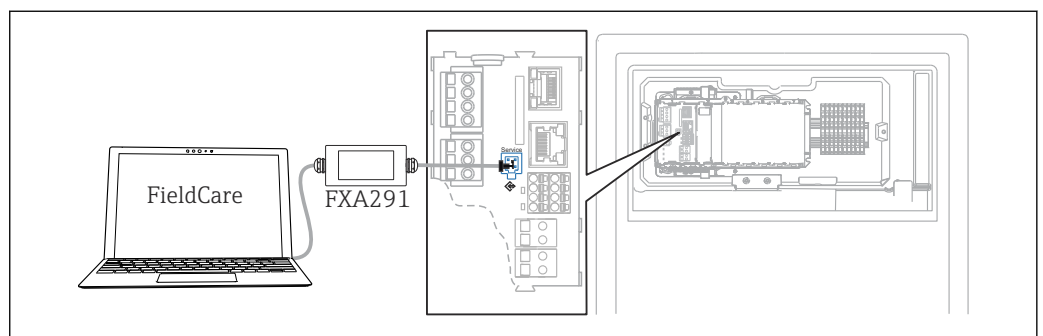
Download: <https://portal.endress.com/webdownload/FieldCareDownloadGUI/>

7.2.2 Service interface

You can connect the device to a computer via the service interface and configure it using "FieldCare". Furthermore, configurations can also be saved, transferred and documented.

Connection

1. Connect the service connector to the interface on the Liquiline base module and connect it to the Commubox.
2. Connect the Commubox via the USB connection to the computer on which FieldCare is installed.



57 Connection overview

Establishing the data connection

1. Start FieldCare.
2. Establish a connection to the Commubox. To do so, select the "CDI Communication FXA291" ComDTM.
3. Then select the "Liquiline CM44x" DTM and start configuration.

You can now start online configuration via the DTM.

Online configuration competes with onsite operation, i.e. each of the two options blocks the other one. On both sides it is possible to take away access from the other side.

Operation

- In the DTM the menu structure corresponds to the onsite operation. The functions of the Liquiline soft keys are found in the main window on the left.
- Clicking a menu name or a function corresponds to pressing the navigator.
- You can make your settings conveniently via the computer keyboard.
- You can use FieldCare to save logbooks, make backups of configurations and transfer configurations to other devices.
- You can also print out configurations or save them as PDFs.

7.2.3 Fieldbus systems

PROFIBUS DP

Communication via PROFIBUS DP is possible with module 485DP and the appropriate device version.

- ▶ Connect the PROFIBUS data cable to the terminals of the fieldbus module as described .



For detailed information on "PROFIBUS communication", see the product pages on the Internet (→ SD01188C).

Modbus

Communication via Modbus RS485 is possible with module 485MB and the appropriate device version.

Communication via Modbus TCP is possible with module BASE2.

The RTU and ASCII protocols are available when connecting via Modbus RS485. You can switch to ASCII on the device.

- ▶ Connect the Modbus data cable to the terminals of module 485MB (RS 485) or to the RJ45 socket of module BASE2 (TCP) as described.



For detailed information on "Modbus communication", see the product pages on the Internet (→ SD01189C).

Ethernet/IP

Communication via EtherNet/IP is possible with module BASE2 and the appropriate device version.

- ▶ Connect the EtherNet/IP data cable to the RJ45 socket of module BASE2.



For detailed information on "Ethernet/IP communication", see the product pages on the Internet (→ SD01293C).

PROFINET

Communication via PROFINET is possible with module BASE2 and the appropriate device version.

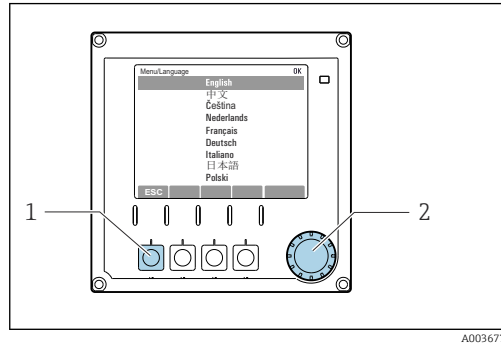
- ▶ Connect the PROFINET data cable to the RJ45 socket of the BASE2 module.



For detailed information on "PROFINET communication", see the product pages on the internet (→ SD02490C).

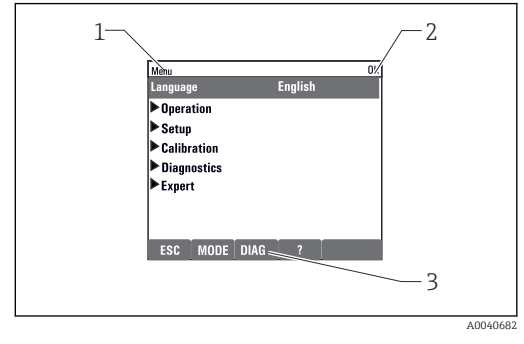
8 Operation options

8.1 Structure and function of the operating menu



58 Display (example)

- 1 Soft key (press function)
- 2 Navigator (jog/shuttle and press/hold function)




59 Display (example)


- 1 Menu path and/or device designation
- 2 Status indicator
- 3 Assignment of soft keys, ESC: Go back, MODE: Fast access to frequently used functions, DIAG: Link to Diagnostics menu ?: Help, if available

8.2 Access to operating menu via on-site display


8.2.1 Locking or unlocking operating keys

Locking operating keys

1. Press the navigator for longer than 2 s.
 - ↳ A context menu for locking the operating keys is displayed. You have the choice of locking the keys with or without password protection. "With password" means that you can only unlock the keys again by entering the correct password. Set this password here: **Menu/Setup/General settings/Extended setup/Data management/Change key lock password.**
2. Select whether to lock keys with or without a password.
 - ↳ The keys are locked. No more entries can be made. In the soft key bar, you will see the  symbol.

 The password is 0000 when the device is delivered from the factory. **Make sure to note down any changes to the password**, as otherwise you will not be able to unlock the keypad yourself.

Unlocking operating keys

1. Press the navigator for longer than 2 s.
 - ↳ A context menu for unlocking the operating keys is displayed.
2. **Key unlock .**
 - ↳ The keys are unlocked immediately if you did not choose to lock with a password. Otherwise you are asked to enter your password.
3. Only if keypad is password-protected: enter the right password.
 - ↳ The keys are unlocked. It is possible to access the entire onsite operation again. The  symbol is no longer visible on the display.

8.2.2 Configuration options

Display only

- You can only read the values but cannot change them.
- Typical read-only values are: analyzer data, sensor data and system information
- Example: **Menu/Setup/Analyzer/.../Measuring parameter**

Picklists

- You receive a list of options. In a few cases, these also appear in the form of multiple choice boxes.
- Usually you just select one option; in rare instances you select one or more options.

Numerical values

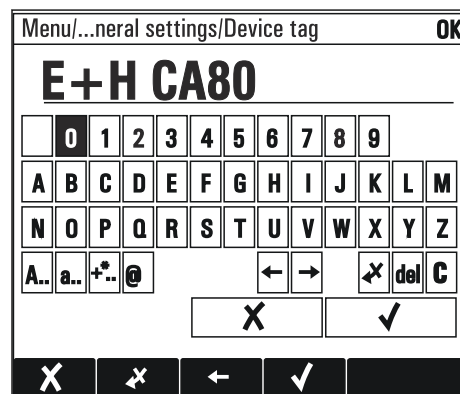
- You are changing a variable.
- The maximum and minimum values for this variable are shown on the display.
- Configure a value within these limits.

Actions

- You trigger an action with the appropriate function.
- You know that the item in question is an action if it is preceded by the following symbol: \triangleright
- Examples of typical actions include:
 - Deleting log entries
 - Saving or loading configurations
 - Triggering cleaning programs

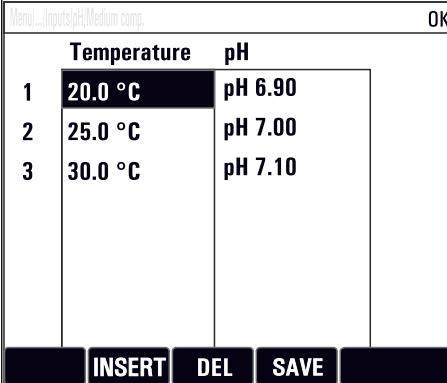
User-defined text

- You are assigning an individual designation.
- Enter a text. You can use the characters in the editor for this purpose (upper-case and lower-case letters, numbers and special characters).
- Using the soft keys, you can:
 - Cancel your entries without saving the data (X)
 - Delete the character in front of the cursor (X)
 - Move the cursor back one position (←)
 - Finish your entries and save (✓)



Tables

- Tables are needed to map mathematical functions or to enter irregular interval samples.
- You edit a table by navigating through rows and columns with the navigator and changing the values of the cells.
- You only edit the numerical values. The controller automatically takes care of the engineering units.
- You can add rows to the table (**INSERT** soft key) or delete them (**DEL** soft key).
- Afterwards, you save the table (**SAVE** soft key).
- You can also cancel your entries any time using the **X** soft key.
- Example: **Menu/Setup/Inputs/pH/Medium comp.**



| | Temperature | pH |
|---|-------------|---------|
| 1 | 20.0 °C | pH 6.90 |
| 2 | 25.0 °C | pH 7.00 |
| 3 | 30.0 °C | pH 7.10 |

At the bottom of the screen, there are three soft keys: **INSERT**, **DEL**, and **SAVE**.

9 Commissioning

Before the supply voltage is applied

On account of the device design, high switch-on currents occur when the device is commissioned at low temperatures. The power value indicated on the nameplate refers to the power consumption after one minute of operation when the device is commissioned at 5 °C (41 °F).


Activities while the analyzer is in operation

Risk of injury and infection from medium!

- ▶ Before you release any hoses, make sure that no actions, such as the pumping of sample, are currently running or are due to start shortly.
- ▶ Wear protective clothing, goggles and gloves or take other suitable measures to protect yourself.
- ▶ Wipe up any spilt reagent with a disposable tissue and rinse with clear water. Then dry the cleaned areas with a cloth.

9.1 Preliminaries

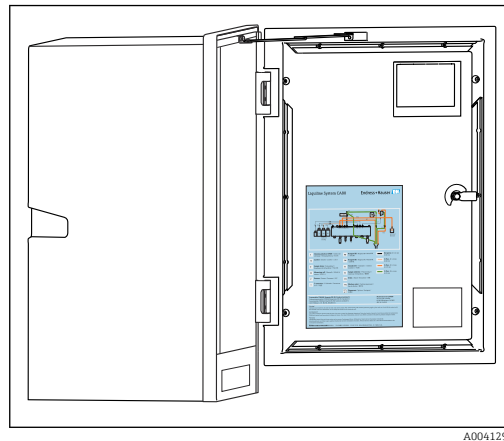
9.1.1 Commissioning steps

 When commissioning the device for the first time, the device must be rinsed with process medium for a number of hours (recommended: 16 hours) so that a reliable zero adjustment can be performed.

To commission, proceed as follows:

1. Mount the analyzer on a wall or on a base.
2. 1-/2-channel version: Mount pressure relief valve and filter with angle brackets.
3. 4-/6-channel version: Mount panel with pressure relief valves and filters.
4. 4-/6-channel version: Install the panel with sample channel switching.
5. Route the cable for sensor inputs and outputs.
6. Connect sample outlet hose "D".
7. Connect sample inlet hose "SPx".
8. Connect outlet hose "W" (outflow from cuvette).
9. Place the magnetic stir bar in the bypass of the cuvette.
10. Connect the power supply.
 - ↳ The measuring instrument switches on.
11. Perform basic configuration of measuring instrument.
12. Configure the sample flow.
13. Connect reagents and standard.
14. Start the measurement.
15. Attach cover in front of cuvette assembly.

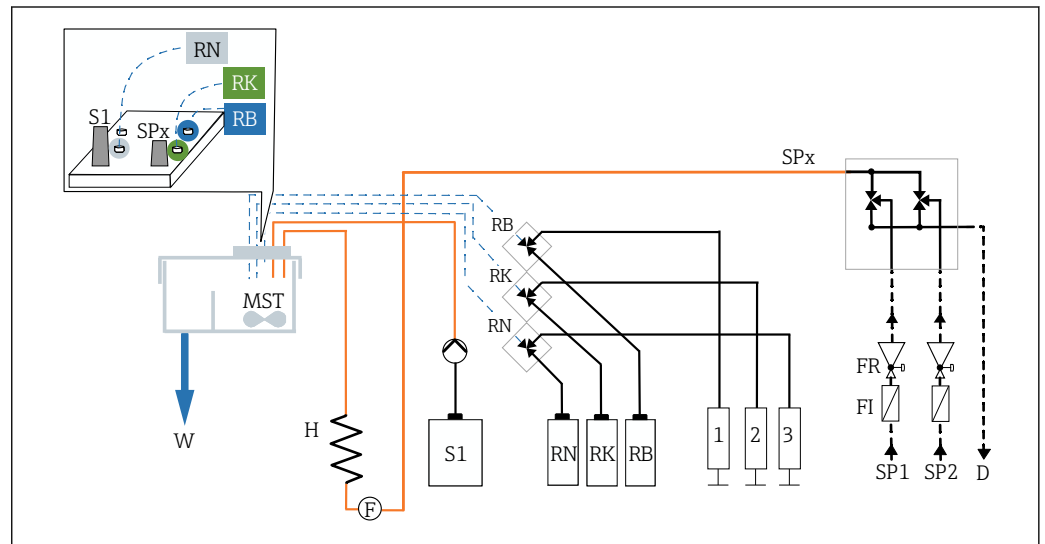
9.1.2 Hose connection diagram



The diagrams below reflect the status at the time of issue of this documentation. The hose connection diagram that applies for your device version is provided on the inside of the door of the analyzer.

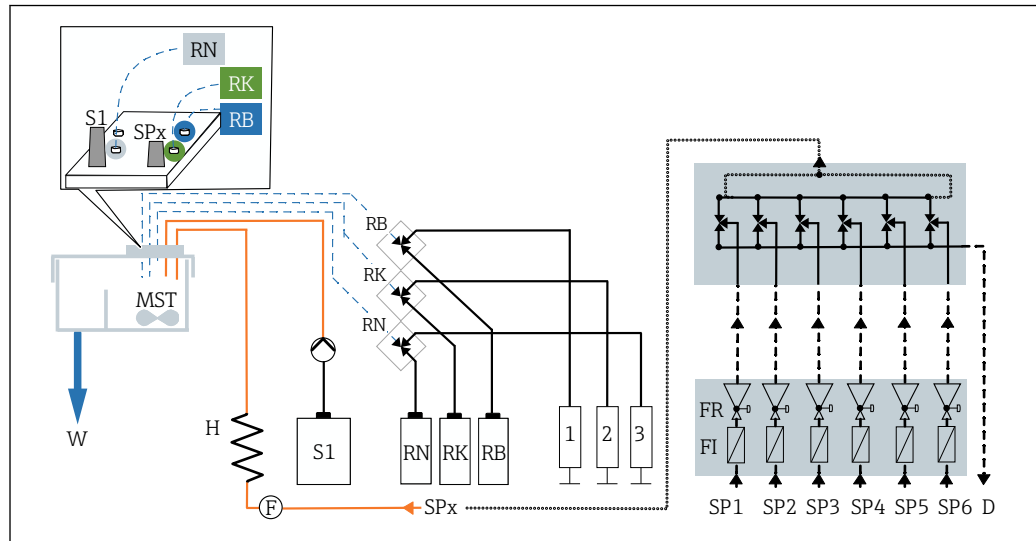
- ▶ Only connect the hoses as specified in this diagram.

60 Hose connection diagram



61 Hose connection diagram for 1-/2-channel version

| | | | |
|------------|------------------------------|----------------|----------------------------|
| <i>D</i> | <i>Sample outlet</i> | <i>RB..N</i> | <i>Reagents RB, RK, RN</i> |
| <i>F</i> | <i>Flow sensor</i> | <i>S1</i> | <i>Standard 1</i> |
| <i>FR</i> | <i>Pressure relief valve</i> | <i>SP1..6</i> | <i>Sample inlets</i> |
| <i>FI</i> | <i>Filter</i> | <i>W</i> | <i>Drain</i> |
| <i>H</i> | <i>Heater</i> | <i>1, 2, 3</i> | <i>Dispensers</i> |
| <i>MST</i> | <i>Magnetic stirrer</i> | | |



A0036791

62 Hose connection diagram for 4-/6-channel version

| | | | |
|------------|-----------------------|----------------|---------------------|
| <i>D</i> | Sample outlet | <i>RB..N</i> | Reagents RB, RK, RN |
| <i>F</i> | Flow sensor | <i>S1</i> | Standard 1 |
| <i>FR</i> | Pressure relief valve | <i>SP1..6</i> | Sample inlets |
| <i>FI</i> | Filter | <i>W</i> | Drain |
| <i>H</i> | Heater | <i>1, 2, 3</i> | Dispensers |
| <i>MST</i> | Magnetic stirrer | | |

9.1.3 Connecting the sample outlet hose "D"

i The liquid from sample outlet hose "D" contains only sample mixture. It can be disposed of accordingly.

Ensure that it can drain freely: Route sample outlet hose "D" without counterpressure.

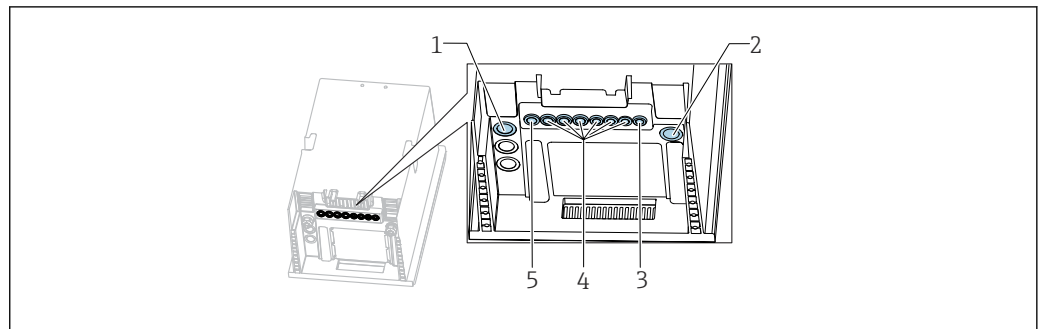
1-/2-channel version

1. Guide sample outlet hose "D" out of the housing via a hose gland.
2. Attach sample outlet hose "D" to the outlet of the sample channel switching and secure using a PG coupling with the appropriate clamping unit.

4-/6-channel version

- ▶ Attach sample outlet hose "D" to the outlet of the panel with the sample channel switching.

9.1.4 Connecting the sample inlet hose "SPx"



A0036036

- 1 Sample outlet hose "D" and either sample inlet hose SP1 and SP2 (1-/2-channel version) or SPx (4-/6-channel version)
- 2 Outlet hose "W"
- 3 4-/6-channel version: Cable connection for panel
- 4 Connections for sensors, signal lines
- 5 Power cable

1-channel version

1. Ensure a constant and sufficient supply of sample at the installation location.
2. Remove the drain plug from sample channel 1. Do not remove the drain plug in sample channel 2.
3. Connect sample inlet hose SP1 to sample channel 1 and guide it out of the housing via a hose gland.
4. Secure sample inlet hose SP1 with a PG gland with the appropriate clamping unit.
5. Connect sample inlet hose SP1 to the pressure relief valve. Keep the length of hose between the sample inlet hose SP1 and the pressure relief valve as short as possible: max. 3 m (9.84 ft).
6. Connect the pressure relief valve to the filter. Keep the length of hose as short as possible, max. 0.5 m (1.64 ft).

2-channel version

1. Ensure a constant and sufficient supply of sample at the installation location.
2. If a sample channel is not used:
Do not remove the red drain plug in the valve.
3. Remove the drain plug from the sample channels.
4. Connect sample inlet hoses SP1 and SP2 to the sample channels and guide them out of the housing via a hose gland.
5. Secure sample inlet hoses SP1 and SP2 with a PG gland with the appropriate clamping unit.
6. Connect sample inlet hoses SP1 and SP2 to the pressure relief valves. Keep the length of hose between the sample inlet hose and the pressure relief valve as short as possible: max. 3 m (9.84 ft).
7. Connect the pressure relief valve to the filter. Keep the length of hose as short as possible, max. 0.5 m (1.64 ft).

4-/6-channel version

1. Ensure a constant and sufficient supply of sample at the installation location.
2. If a sample channel is not used:
Do not remove the red drain plug in the valve.
3. Remove the drain plug from the sample channels.

4. Using the SPx sample inlet hoses, connect the channels of the panel with the sample channel switching to the pressure relief valves of the panel. Keep the length of hose between the pressure relief valves and the panel with the sample channel switching as short as possible: max. 1 m (3.28 ft).
5. Connect sample inlet hose SPx of the sample channel switching to the push-in connector upstream from the flowmeter. In the process, guide the sample inlet hose into the housing via a hose gland.
6. Plug in the connector of the panel with the sample channel switching.

9.1.5 Connecting the outlet hose "W"

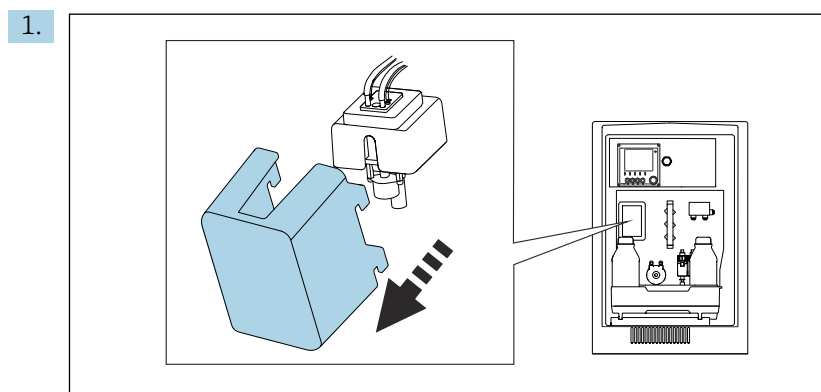
1-channel, 2-channel and 4-/6-channel version

i The liquid from outlet hose "W" of the cuvette contains reaction mixture. Observe the local regulations regarding waste disposal.

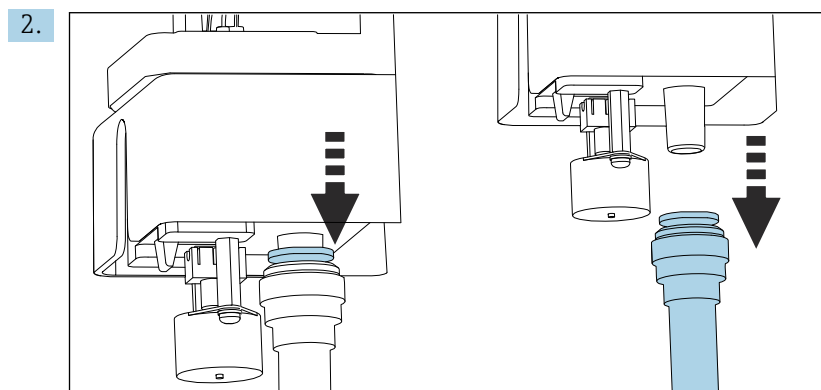
- ▶ Secure outlet hose "W" to the appropriate connector nozzle in a PG gland. Avoid counterpressure.

9.1.6 Placing the magnetic stir bar in the bypass of the cuvette

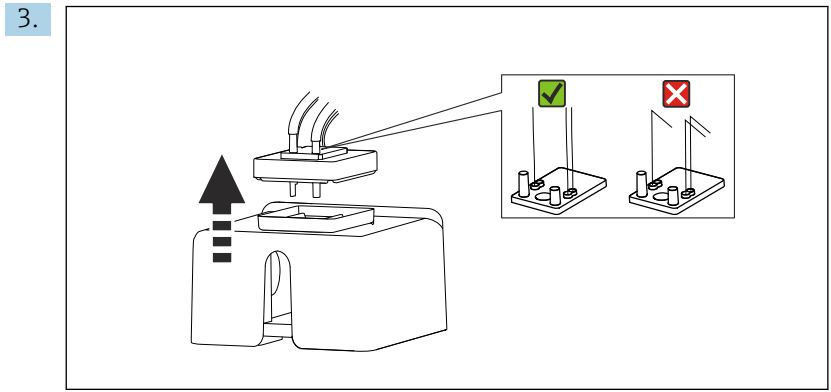
Before operating the analyzer, you must insert the magnetic stir bar supplied into the cuvette.



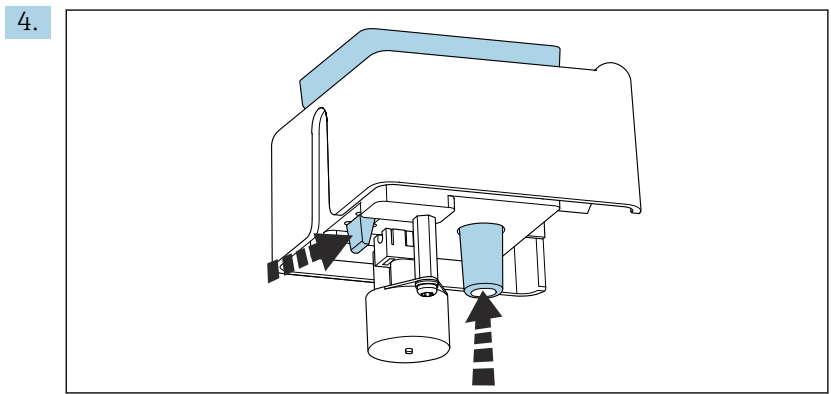
Remove the cover.



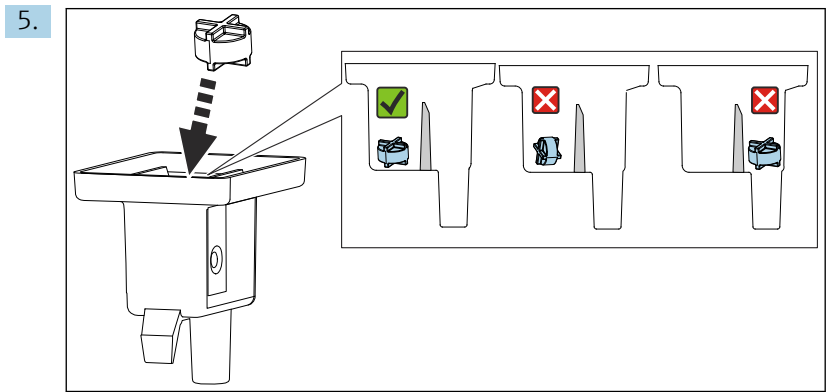
Remove outlet hose "W".



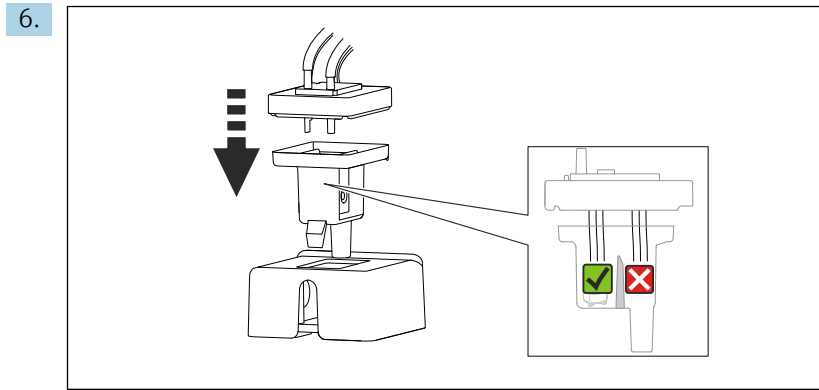
Lift the rubber cover off the cuvette. There must be no kinks in the capillaries at the capillary holder or at the valves, and the capillaries must not be removed from the hose connector.



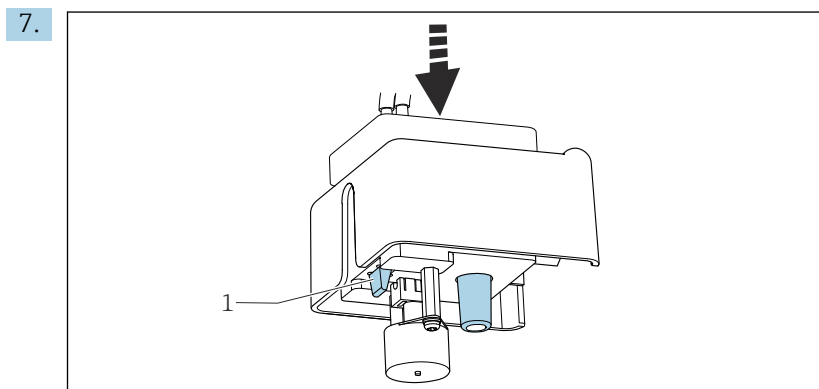
Push the cuvette out from below by pressing simultaneously against the tab and the hose attachment.



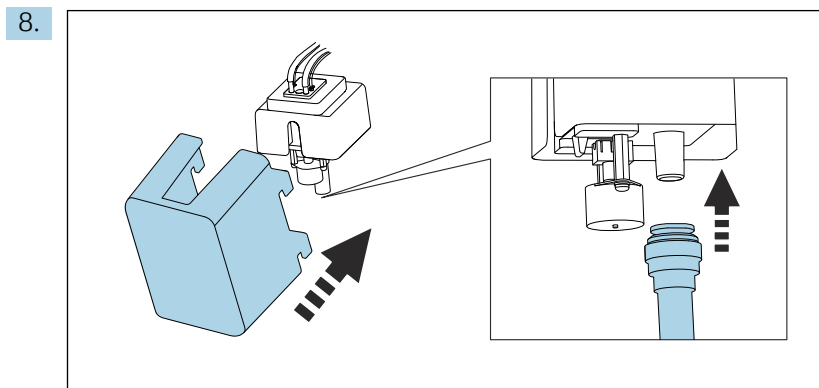
Place the magnetic stir bar in the measuring chamber, making sure that it is flat and in the measuring chamber.



Put the rubber cover back on, making sure that all the capillaries are located in the measuring chamber.



Push the cuvette with the magnetic stir bar and cover into the holder. Ensure that the tab (1) snaps into place.



Connect the outlet hose "W" again and secure the cover again.

9.2 Function check

Incorrect connection, incorrect supply voltage

Safety risks for staff and device malfunctions!

- ▶ Check that all connections have been established correctly in accordance with the wiring diagram.
- ▶ Ensure that the supply voltage matches the voltage indicated on the nameplate.

Connection errors

The safety of people and of the measuring point is under threat. The manufacturer does not accept any responsibility for errors that result from failure to comply with the instructions in this manual.

- ▶ Put the device into operation only if you can answer **yes** to **all** the following questions.

Check the device conditions and specifications.

- ▶ Are the hoses free from damage on the outside?

Visual inspection of the liquid-bearing lines

- ▶ Have the bottles with reagents, and standard been inserted and connected?
- ▶ Is the magnetic stir bar lying flat in the bypass?

9.3 Switching on the measuring instrument

1. Connect the power supply.
2. Wait for the initialization to finish.

9.4 Configuring the operating language

Configuring the language

1. Press the soft key: **MENU**.
2. Set your language in the top menu item.
 - ↳ The device can now be operated in your chosen language.

9.5 Configuring the measuring instrument

9.5.1 Basic setup analyzer

Making basic settings

1. Switch to the menu **Setup/Basic setup analyzer**.
 - ↳ Make the following settings.
 - Device tag
Give your device any name of your choice (max. 32 characters).
 - Set date
Correct the set date if necessary.
 - Set time
Correct the set time if necessary.
2. Insert the bottles and activate the bottles used in the menu: **Bottle insertion/Bottle selection**.
3. Check the concentration of the calibration standard used: **Calibration/Settings/Nominal concentration**.
4. Optionally, also change the measuring interval: **Measurement/Measuring interval**.
 - ↳ All the other settings can be left in the default factory settings for the time being.
5. Return to the measuring mode: press and hold the soft key for **ESC** for at least one second.
 - ↳ Your analyzer now works with your general settings. Optionally connected sensors use the factory settings of the specific sensor type and the individual calibration settings that were last saved.

If you want to already configure additional input and output parameters in the **Basic setup analyzer**:

- ▶ Configure the current outputs, relays, limit switches and device diagnostics with the following submenus.

9.5.2 Configuring the sample flow

1. Open any shut-off valves that may be present in the sample supply lines. From this step onwards, there must be sample present at the sample channel switching filter. The recommended range is: 1.5 to 3 bar (21.8 to 43.5 psi) .
2. Configure the sample flow at the pressure relief valve and check via the **System test** menu: (**Menu/Diagnostics/System test/Analyzer/Sample channel**). Recommendation: 70 ml/min.
3. Select the relevant sample channel via **Test channel** and press **Confirm** to activate.
4. Recommendation: Do not configure the next sample channel until the sample flow has been stable for several minutes.
5. Once the sample flow is configured for all channels, select and activate the **None** sample channel to close all valves. If the channel is deactivated, sample continues to flow through each channel and is diverted via sample outlet hose "D".

9.5.3 Connecting the reagents and standard

1. Insert reagents and standard with bottle tray.
2. Connect reagent hoses to the relevant valves.
3. Connect the standard to the inlet in the hose pump.
4. Select **Menu/Operation /Maintenance/Bottle change mode/Bottle insertion/Bottle selection**.
5. Select all the bottles that have been inserted and press **OK** to confirm.

The device is now ready to measure. At the start of the initial measurement, the reagent dispensers are fully opened and emptied. This is to guarantee the measuring performance from the start, and occurs after commissioning, after replacing the reagent bottles or after certain diagnostic cases.

Using the large reagent set (optional)

If the large reagent set is used, the calibration standard (5 l) must be installed outside the analyzer. The hose of the standard solution must be replaced with the long hose supplied.

1. Remove the hose for the standard from the peristaltic pump and replace it with the long hose.
2. Shorten the long hose if necessary; its length must not exceed 1.5 m (4.92 ft).
3. Cut the hose on the bottle side at an angle so that it does not attach itself to the bottle.
4. Install the M32 coupling, including the sealing plug, from the supplied accessories, in the base of the analyzer.
5. Guide the hose through the new M32 coupling towards the outside and through the grommet in the bottle cover as far as the base of the standard bottle (5 l).
6. If level monitoring is activated, set the correct volume for Standard S1 (**Analyzer/Extended setup/Diagnostics settings/Bottles/Monitoring = On/Bottle filling levels/Start flow sum/Standard S1** → 5000 ml).

9.6 Starting the measurement

Pay attention to the following, particularly if measuring very low concentrations of silica:

- The measurement results can display an initial drift. This can be caused by the possible contamination of the components carrying sample.
 - For this reason it is advisable to rinse the sample-bearing pipes for several hours with continuous measurements prior to performing a calibration.
 - The stability of the calibration factors can be checked by repeating the calibration manually.
1. Select the **Immediate** start condition under **Menu/Setup/Analyzer/Measurement/Start condition/Immediate**. The analyzer immediately starts with the measurement cycle once the system changes to the automatic mode.
 2. If necessary, adjust the measurement interval under **Menu/Setup/Analyzer/Measurement/Measuring interval**.
 3. If necessary, adjust the calibration interval under **Menu/Setup/Analyzer/Calibration/Calibration interval**.
 4. If necessary, adjust the sequence of the sample channels under **Menu/Setup/Analyzer/Measurement/Measuring interval/Sequence of measurements**.
 5. Start automatic mode: Press the **MODE** softkey and select **Start automatic mode**.
 - ↳ The display shows **Current mode- Automatic**.

10 Operation

10.1 Display

10.1.1 Soft keys in measuring mode

On the bottom row of the display you can find four soft keys in the measuring screens:

- With **MENU** and **DIAG** take you directly to the specific software menu.
- With **HOLD** you can activate an immediate, general hold for sensors. This also sets all the linked outputs, controllers and cleaning cycles to HOLD. Any sensor cleaning programs that are currently running are interrupted. However, you can also start manual sensor cleaning when a hold is active.
- With **MODE** takes you to a picklist of frequently used software functions.

10.1.2 Measuring mode

There are different display modes: (press the navigator button to change the mode)

- (1) Overview of all the inputs and outputs
- (2) Analyzer measured value or main measured value of an input or output or the status of a relay
- (3) Smaller visualization of the analyzer measured value or main and secondary measured value in the case of a sensor input
- (4) Analyzer measured value and pending actions or all measured values in the case of a sensor input
- (5) **Only for analyzer measured value:**
Graphic display

There are also submenus:

(6) User-definable measuring menus (only available if already defined)

Selection of previously configured screens



Change of channel to modes (2) - (5)

- ▶ Turn the navigator.
 - ↳ The display changes from channel to channel.



10.1.3 Device status

Icons on the display alert you to special device states.

| Icon | Location | Description |
|----------|---------------------------------|---|
| F | Header bar | Diagnostic message "Failure" |
| M | Header bar | Diagnostic message "Maintenance request" |
| C | Header bar | Diagnostic message "Check" |
| S | Header bar | Diagnostic message "Out of specification" |
| ↔ | Header bar | Fieldbus or TCP/IP communication active |
| ⏸ | Header bar | Hold active (for sensors) |
| ⏸ | At measured value | Hold for the actuator (current output, limit switch etc.) is active |
| ⏶ | At measured value ¹⁾ | An offset has been added to the measured value |
| ⊗ | At measured value | Measured value in "Bad" or "Alarm" state |
| ATC | At measured value | Automatic temperature compensation active (for sensors) |
| MTC | At measured value | Manual temperature compensation active (for sensors) |
| SIM | Header bar | Simulation mode active or Memocheck SIM connected |

| Icon | Location | Description |
|---|-------------------|---|
| SIM | At measured value | The measured value is influenced by a simulated value |
|  | At measured value | The displayed measured value is simulated (for sensors) |
|  | Header bar | Controller is active |

1) Only pH or ORP measurement


 If two or more diagnostic messages occur simultaneously, only the icon for the message with the highest priority is shown on the display (for the order of priority according to NAMUR, →  122).

10.1.4 Assignment views

Assignment views, e.g. **Channel assignment view**, appear as the last function in many sections of the menu. You can use this function to see which actuators or functions are connected to an input or output. The assignments appear in hierarchical order.

10.2 General settings

10.2.1 Base settings

| Menu/Setup/General settings | | |
|--|--|---|
| Function | Options | Info |
| Temperature unit | Selection <ul style="list-style-type: none"> ▪ °C ▪ °F ▪ K Factory setting °C | |
| Current output range | Selection <ul style="list-style-type: none"> ▪ 0..20 mA ▪ 4..20 mA Factory setting 4..20 mA | In accordance with NAMUR NE43, the linear range is 3.8 to 20.5 mA (4..20 mA) or 0 to 20.5 mA (0..20 mA). If the range is exceeded or undershot, the current value stops at the range limit and a diagnostic message (460 or 461) is output. |
| Failure current | 0.0 to 23.0 mA Factory setting 22.5 mA | The function meets NAMUR NE43. ▶ Set the current value that should be output at the current outputs in the event of an error. |
|  The value for Failure current should be outside the measuring range. If you have selected Current output range = 0..20 mA , you should set a fault current between 20.1 and 23 mA. If Current output range = 4..20 mA is selected, you could also define a value of < 4 mA as a fault current. The device allows a fault current within the measuring range. In such instances, pay attention to any effects this may have on your process. | | |
| Alarm delay | 0 to 9999 s Factory setting 0 s | The software displays only the errors that are present longer than the set delay time. This makes it possible to suppress messages that only occur briefly and are caused by normal process-specific fluctuations. |
| Device hold | Selection <ul style="list-style-type: none"> ▪ Disabled ▪ Enabled Factory setting Disabled | You can enable an immediate, general hold (for sensors) here. The function acts in the same way as the HOLD softkey in the measuring screens. |

10.2.2 Date and time

| Menu/Setup/General settings/Date/Time | | |
|---------------------------------------|---|---|
| Function | Options | Info |
| Set date | Depends on the format | Editing mode: Day (two-digit): 01 to 31 Month (two-digit): 01 to 12 Year (four-digit): 1970 to 2106 |
| Set time | Depends on the format | Editing mode: hh (hour): 00 to 23 / 0 am to 12 pm mm (minutes): 00 to 59 ss (seconds): 00 to 59 |
| ▶ Extended setup | | |
| Date format | Selection <ul style="list-style-type: none"> ▪ DD.MM.YYYY ▪ YYYY-MM-DD ▪ MM-DD-YYYY Factory setting DD.MM.YYYY | ▶ Select a date format. |
| Time format | Selection <ul style="list-style-type: none"> ▪ hh:mm am (12h) ▪ hh:mm (24h) ▪ hh:mm:ss (24h) Factory setting hh:mm:ss (24h) | ▶ Choose between 12-hour display or 24-hour display. Seconds can also be displayed with the latter version. |
| Time zone | Selection <ul style="list-style-type: none"> ▪ None ▪ Choice of 35 time zones Factory setting None | None = Greenwich Mean Time (London). |
| DST | Selection <ul style="list-style-type: none"> ▪ Off ▪ Europe ▪ USA ▪ Manual Factory setting Off | The controller adapts the summertime/normal time changeover automatically if you choose European or American daylight saving time. Manual means that you can specify the start and end of daylight saving time yourself. Here, two additional submenus are displayed in which you specify the changeover date and time. |

10.2.3 Hold settings

| Menu/Setup/General settings/Hold settings | | |
|---|---|---|
| Function | Options | Info |
| Settings automatic Hold | | |
| Hold release time | 0 to 600 s Factory setting 0 s | The hold status is maintained for the duration of the delay time when you switch to the measuring mode. |
| Setup menu | Selection <ul style="list-style-type: none"> ▪ Disabled ▪ Enabled Factory setting Disabled | ▶ Decide whether the device outputs should switch to the defined hold state when the particular menu is opened. |
| Diagnostics menu | | |
| Calibration active | Factory setting Enabled | |

10.2.4 Logbooks

Logbooks record the following events:

- Calibration/adjustment events
- Operator events
- Diagnostic events
- Analyzer events
- Measured values

You define how the logbooks should store the data.

In addition, you can also define individual data logbooks for sensors.

1. Assign the logbook name.
2. Select the measured value to be recorded.
3. Set the scan time (**Scan time**).
 - ↳ You can set the scan time individually for every data logbook.


 Further information on the logbooks: .

Data logbooks only apply for sensors (optional). There are special data logbooks for the analyzer. These logbooks are automatically enabled and assigned to the measuring channel.

SP1: Data logbook SP1 is assigned to measuring channel 1 of the analyzer.

| Menu/Setup/General settings/Logbooks | | |
|--------------------------------------|---|---|
| Function | Options | Info |
| Logbook ident | Customized text, 16 characters | Part of the file name when exporting a logbook |
| Event logbook | Selection <ul style="list-style-type: none"> ■ Off ■ Ring buffer ■ Fill up buffer Factory setting Ring buffer | All diagnostic messages are recorded Ring buffer If the memory is full, the most recent entry automatically overwrites the oldest entry. Fill up buffer If the memory is full, there is an overflow, i. e. you cannot store any new values. The controller displays a corresponding diagnostic message. The memory then has to be cleared manually. |
| Analyzer event logbook | Selection <ul style="list-style-type: none"> ■ Ring buffer ■ Fill up buffer Factory setting Ring buffer | All diagnostic messages are recorded Ring buffer If the memory is full, the most recent entry automatically overwrites the oldest entry. Fill up buffer If the memory is 80 % full, the device displays a diagnostic message. If the memory is full, there is an overflow, i. e. no new values can be saved. The controller displays a corresponding diagnostic message. The memory then has to be cleared manually. |

| Menu/Setup/General settings/Logbooks | | |
|---|--|--|
| Function | Options | Info |
| ► Overflow warnings Analyzer calibration logbook = Fill up buffer | | |
| Calibration logbook | Selection ▪ Off ▪ On Factory setting Off | ► Decide whether you want to receive a diagnostic message if the fill buffer of the relevant logbook overflows. |
| Diagnostic logbook | | |
| Configuration logbook | | |
| Analyzer data logbooks | | For analyzer measured data The entry is made automatically on completion of the measurement. A setting does not need to be made. The logbook is activated automatically. SP1 is assigned to data logbook SP1. |
| ► Data logbook SP1 | | Assignment to measuring channel |
| Source of data | Read only | The assigned measuring channel is displayed |
| Measuring parameter | Read only | Plain-text information on the parameter that is being recorded |
| Unit | Read only | Information about the unit in which the data are available |
| Logbook name | Customized text, 16 characters | |
| ► Line plotter | | Menu to define the graphic display |
| Axes | Selection ▪ Off ▪ On Factory setting On | Should the axes (x, y) be displayed (On) or not (Off)? |
| Orientation | Selection ▪ Horizontal ▪ Vertical Factory setting Horizontal | You can choose whether the value curves should be displayed from left to right (Horizontal) or from top to bottom (Vertical). If you want to display two data logbooks simultaneously, make sure that both logbooks have the same settings here. |
| X-Description | Selection ▪ Off ▪ On Factory setting On | ► Decide whether a description should be displayed for the axes and whether gridlines should be shown. In addition, you can also decide whether pitches should be displayed. |
| Y-Description | | |
| Grids | | |
| Pitches | | |
| X Pitch/Grid distance | 10 to 50% Factory setting 10 % | ► Determine the pitch. |
| Y Pitch/Grid distance | | |

| Menu/Setup/General settings/Logbooks | | |
|--|--|--|
| Function | Options | Info |
| ▶ Data logbooks | | For connected Memosens sensors (optional) |
| ▶ New | | You can create a maximum of 8 data logbooks. |
| Logbook name | Customized text, 20 characters | |
| Source of data | Selection <ul style="list-style-type: none"> ▪ Sensor inputs ▪ Controller ▪ Current inputs ▪ Temperature ▪ Fieldbus signals ▪ Mathematical functions Factory setting None | ▶ Select a data source for the logbook entries. You can choose from the following: <ul style="list-style-type: none"> ▪ Connected sensors ▪ Available controllers ▪ Current inputs ▪ Fieldbus signals ▪ Binary input signals ▪ Mathematical functions |
| Measured value | Selection Depends on Source of data Factory setting None | You can record different measured values depending on the data source. |
| Scan time | 0:00:01 to 1:00:00 Factory setting 0:01:00 | Minimum time interval between two entries Format: H:MM:SS |
| Data logbook | Selection <ul style="list-style-type: none"> ▪ Ring buffer ▪ Fill up buffer Factory setting Ring buffer | Ring buffer If the memory is full, the most recent entry automatically overwrites the oldest entry. Fill up buffer If the memory is full, there is an overflow, i. e. no new values can be saved. The controller displays a corresponding diagnostic message. The memory then has to be cleared manually. |
| Overflow warnings Data logbook = Fill up buffer | Selection <ul style="list-style-type: none"> ▪ Off ▪ On Factory setting Off | ▶ Decide whether you want to receive a diagnostic message if the fill buffer of the relevant logbook overflows. |
| ▷ Add another logbook | Action | Only if you want to create another data logbook immediately. You add a new data logbook at a later date using New . |
| ▷ Finished | Action | This allows you to exit the New menu. |
| ▷ Start/stop simultaneously | Action | Appears if you have created more than one data logbook. With one mouse click, you can start or stop recording all the data logbooks. |
| ▶ Logbook name | | The name of this submenu is based on the name of the logbook and only appears once you have created a logbook. |
|  This menu appears several times if you have several data logbooks. | | |

| Menu/Setup/General settings/Logbooks | | |
|---|--|--|
| Function | Options | Info |
| Source of data | Read only | This is for information purposes only. If you want to record another value, delete this logbook and create a new data logbook. |
| Measured value | | |
| Log time left Data logbook = Fill up buffer | Read only | Displays the days, hours and minutes remaining until the logbook is full. |
| Log size Data logbook = Fill up buffer | Read only | Displays the number of entries remaining until the logbook is full. |
| Logbook name | Customized text, 20 characters | You can change the name here again. |
| Scan time | 0:00:01 to 1:00:00 Factory setting 0:01:00 | As above Minimum time interval between two entries Format: H:MM:SS |
| Data logbook | Selection ▪ Ring buffer ▪ Fill up buffer Factory setting Ring buffer | Ring buffer If the memory is full, the most recent entry automatically overwrites the oldest entry. Fill up buffer If the memory is full, there is an overflow, i. e. no new values can be saved. The controller displays a corresponding diagnostic message. The memory then has to be cleared manually. |
| Overflow warnings Data logbook = Fill up buffer | Selection ▪ Off ▪ On Factory setting Off | ▶ Decide whether you want to receive a diagnostic message if the fill buffer of the relevant logbook overflows. |
| ▶ Line plotter | | Menu to define the graphic display |
| Axes | Selection ▪ Off ▪ On Factory setting On | Should the axes (x, y) be displayed (On) or not (Off)? |
| Orientation | Selection ▪ Horizontal ▪ Vertical Factory setting Horizontal | You can choose whether the value curves should be displayed from left to right (Horizontal) or from top to bottom (Vertical). If you want to display two data logbooks simultaneously, make sure that both logbooks have the same settings here. |
| X-Description | Selection ▪ Off ▪ On Factory setting On | ▶ Decide whether a description should be displayed for the axes and whether gridlines should be shown. In addition, you can also decide whether pitches should be displayed. |
| Y-Description | | |
| Grids | | |
| Pitches | | |
| X Pitch/Grid distance | 10 to 50% | ▶ Determine the pitch. |
| Y Pitch/Grid distance | Factory setting 10 % | |
| ▷ Remove | Action | This action removes the data logbook. Any data that have not been saved are lost. |

Example: New data logbook (Setup/General settings/Logbooks/Data logbooks/New)


1. Make the settings:


- Logbook name
Assign a name. Example: "01".
 - Source of data
Select a data source. Example: Signal of binary input 1.
 - Measured value
Select the measured value to be recorded. Example: pH value.
 - Scan time
Specify the time interval between two logbook entries.
 - Data logbook
Activate the logbook: specify the data storage method.
2. **../Finished:** Perform the action.
 - ↳ The device shows the new logbook in the list of data logbooks.
 3. Select data logbook "01".
 - ↳ Additional display: **Log time left.**
 4. Only in the case of **Fill up buffer:**
Decide to set **Overflow warning: On** or **Off.**
 - ↳ **On:** The device displays a diagnostic message in the event of memory overflow.
 5. **Line plotter** submenu: Specify the type of graphic representation.

10.2.5 Extended setup

Diagnostics settings

The list of diagnostic messages displayed depends on the path selected. There are device-specific messages, and messages that depend on what sensor is connected.

| Menu/Setup/(General settings or Inputs<Sensor channel>)/Extended setup/Diagnostics settings/Diag. behavior | | |
|--|--|---|
| Function | Options | Info |
| List of diagnostic messages | | ▶ Select the message to be changed. Only then is it possible to make the settings for this message. |
| Diag. code | Read only | |
| Diagnostic message | Selection <ul style="list-style-type: none"> ▪ On ▪ Off Factory setting Depends on the message | Deactivate the diagnostic message or activate it again. Deactivating means: <ul style="list-style-type: none"> ▪ No error message in the measuring mode ▪ No failure current at the current output |
| Failure current | Selection <ul style="list-style-type: none"> ▪ On ▪ Off Factory setting Depends on the message | ▶ Decide whether a failure current should be output at the current output if the diagnostic message display is activated.  In the event of general device errors, the failure current is output at all the current outputs. In the event of channel-specific errors, the failure current is only output at the assigned current output. |
| Status signal | Selection <ul style="list-style-type: none"> ▪ Maintenance (M) ▪ Out of specification (S) ▪ Function check (C) ▪ Failure (F) Factory setting Depends on the message | The messages are divided into different error categories in accordance with NAMUR NE 107. ▶ Decide whether a status signal assignment should be changed for the application. |

| Menu/Setup/(General settings or Inputs<Sensor channel>)/Extended setup/Diagnostics settings/Diag. behavior | | |
|--|--|---|
| Function | Options | Info |
| Diag. output | Selection <ul style="list-style-type: none"> ▪ None ▪ Alarm relay ▪ Binary output ▪ Relay 1 to n (depends on the device version) Factory setting None | A relay output must first be configured for Diagnostics before it is possible to assign the message to an output. (Menu/Setup/Outputs: Assign the Diagnostics function and set Operating mode to as assigned.) |
|  Alarm relays are available, depending on the device version. | | |
| Cleaning program (for sensors) | Selection <ul style="list-style-type: none"> ▪ None ▪ Cleaning 1 ▪ Cleaning 2 ▪ Cleaning 3 ▪ Cleaning 4 Factory setting None | <ul style="list-style-type: none"> ▶ Decide whether the diagnostic message should trigger a cleaning program. The cleaning programs can be defined under: Menu/Setup/Additional functions/Cleaning. |
| Detailed information | Read only | Additional information on the diagnostic message and instructions on how to resolve the problem. |

PROFIBUS DP

| Menu/Setup/General settings/Extended setup/PROFIBUS | | |
|---|---|---|
| Function | Options | Info |
| Enable | Selection <ul style="list-style-type: none"> ▪ Off ▪ On Factory setting On | You can switch off communication at this point. The software can then only be accessed via local operation. |
| Termination | Read only | If the device is the last in the bus, you can terminate via the hardware. |
| Bus address | 1 to 125 | If you have addressed the bus via hardware (DIP switches on the module,), you can only read the address here. If an invalid address is set via the hardware, you have to assign a valid address for your device either here or via the bus. |
| Ident number | Selection <ul style="list-style-type: none"> ▪ Automatic ▪ PA-Profile 3.02 (9760) ▪ Manufacturer specific Factory setting Automatic | |

Modbus


| Menu/Setup/General settings/Extended setup/Modbus | | |
|---|---|---|
| Function | Options | Info |
| Enable | Selection <ul style="list-style-type: none"> ▪ Off ▪ On Factory setting On | You can switch off communication at this point. The software can then only be accessed via local operation. |
| Termination | Read only | If the device is the last in the bus, you can terminate via the hardware. |
| Settings | | |
| Transmission mode | Selection <ul style="list-style-type: none"> ▪ TCP ▪ RTU ▪ ASCII Factory setting (Modbus-RS485 only) RTU | The transmission mode is displayed depending on the version ordered. In the case of RS485 transmission, you can choose between RTU and ASCII . There are no choices for Modbus-TCP. |
| Byte order | Selection <ul style="list-style-type: none"> ▪ 1-0-3-2 ▪ 0-1-2-3 ▪ 2-3-0-1 ▪ 3-2-1-0 Factory setting 1-0-3-2 | |
| Watchdog | 0 to 999 s Factory setting 5 s | If no data transmission takes place for longer than the time set, this is an indicator that communication has been interrupted. After this time, input values received via the Modbus are considered to be invalid. |


Web server


| Menu/Setup/General settings/Extended setup/Webserver | | |
|--|---|--|
| Function | Options | Info |
| Webserver | Selection <ul style="list-style-type: none"> ▪ Off ▪ On Factory setting On | You can switch off communication at this point. The software can then only be accessed via local operation. |
| Webserver TCP port 80 | Read only | The Transmission Control Protocol (TCP) is an arrangement (protocol) as to how data should be exchanged between computers. A port is a part of an address which assigns data segments to a network protocol. |
| Webserver login | Selection <ul style="list-style-type: none"> ▪ Off ▪ On Factory setting On | You can switch user administration on and off at this point. This makes it possible to create multiple users with password access. |

| Menu/Setup/General settings/Extended setup/Webserver | | |
|--|-----------|---|
| Function | Options | Info |
| User administration | | |
| List of users already created | View/edit | You can change user names or passwords or delete users. A user is already created at the factory: "admin" with password "admin". |
| New user: | | |
| Name | Free text | Create new user 1. INSERT . 2. Assign any name to the new user. 3. Select a password for the user. 4. Confirm password. ↳ You can now change the password at any time. |
| Enter new user password | Free text | |
| Confirm new user password | Free text | |
| Change user password | Free text | |

Ethernet/IP

 If PROFINET is used, the settings in this menu are read only settings. The network settings are made via the PROFINET-DCP protocol.

 For detailed information on "PROFINET communication", see the product pages on the internet (→ SDO2490C).

| Menu/Setup/General settings/Extended setup/Ethernet | | |
|---|---|--|
| Function | Options | Info |
| Enable | Selection <ul style="list-style-type: none"> ▪ Off ▪ On Factory setting On | You can switch off communication at this point. The software can then only be accessed via local operation. |
| Settings | | |
| Link settings | Selection <ul style="list-style-type: none"> ▪ Auto negotiation ▪ 10MBps half duplex ▪ 10MBps full duplex ▪ 100MBps half duplex ▪ 100MBps full duplex Factory setting Auto negotiation | Transmission methods of the communication channels <ul style="list-style-type: none"> ▪ Full duplex: Data can be transmitted and received simultaneously. ▪ Half-duplex: Data can be transmitted and received on an alternating basis only, i.e. not simultaneously. |
| DHCP | Selection <ul style="list-style-type: none"> ▪ Off ▪ On Factory setting On | The Dynamic Host Configuration Protocol (DHCP) makes it possible to assign the network configuration to clients via a server. With DHCP, it is possible to automatically integrate the device into an existing network without the need for manual configuration. Normally only the automatic assignment of the IP address must be configured at the client. During startup, the IP address, the netmask and the gateway are retrieved from a DHCP server.  Do you want to assign the IP address of the device manually? If so, you have to set DHCP = Off . |
| IP address | xxx.xxx.xxx.xxx | An IP address is an address in computer networks which are based on the Internet protocol (IP). You can only set the IP address if DHCP is switched off. |

| Menu/Setup/General settings/Extended setup/Ethernet | | |
|---|-----------------|---|
| Function | Options | Info |
| Netmask | xxx.xxx.xxx.xxx | On the basis of the IP address of a device, the netmask specifies which IP addresses this device searches for in its own network and which addresses it could access in other networks via a router. It therefore divides the IP address into a network part (network prefix) and a device part. The network part must be identical for all devices in the individual network, and the device part must be different for every device within the network. |
| Gateway | x.x.x.x | A gateway (protocol converter) enables communication between networks that are based on completely different protocols. |
| Service switch | Read only | |
| MAC address | Read only | The MAC address (Media Access Control address) is the hardware address of every individual network adapter which is used to uniquely identify the device in a computer network. |
| EtherNetIP Port 44818 | Read only | A port is a part of an address which assigns data segments to a network protocol. |


Accepting settings

Have you changed settings manually, such as the IP address?

- ▶ Before you leave the **Ethernet** menu:
 - select **SAVE** to apply your settings.
 - ↳ In the **DIAG/System information** menu you can check whether the new settings are used.

Data management

Firmware update

 Please contact your local sales office for information on firmware updates available for your controller and its compatibility with earlier versions.

Current firmware version of the analyzer, actuator control module: **Menu/Diagnostics/System information**.

- ▶ Back up your current setup and your logbooks to an SD card.

To install a firmware update, you must have the update available on an SD card.

1. Insert the SD card into the controller card reader.
2. Go to **Menu/Setup/General settings/Extended setup/Data management/Firmware update**.
 - ↳ The update files on the SD card are displayed.
3. Select the desired update and select yes when asked the following:
 - The current firmware will be overwritten.
 - After this the device will reboot.
 - Do you want to proceed?
 - ↳ The firmware is loaded and the device is then started with the new firmware.

Saving the setup

Saving a setup offers the following advantages, among others :

- Copying settings for other devices
- Quick and easy switching between various setups, e. g. for different user groups or for recurring sensor type changes
- Restoring a tried-and-tested setup, e. g. if you have changed a lot of settings and no longer know what the original settings were

1. Insert the SD card into the controller card reader.
2. Go to **Menu/Setup/General settings/Extended setup/Data management/Save setup** .
3. **Name**: Assign a file name.
4. Then select **Save** .
 - ↳ If you have already assigned the file name, you will be asked whether you want to overwrite the existing setup.
5. Use **OK** to confirm or cancel and assign a new file name.
 - ↳ Your setup is stored on the SD card and you can upload it quickly to the device at a later date.

Loading the setup

When you load a setup, the current configuration is overwritten.

Note that cleaning and controller programs may be active. Do you want to continue anyway?

1. Insert the SD card into the controller card reader. A setup must have been saved to the SD card.
2. Go to **Menu/Setup/General settings/Extended setup/Data management/Load setup** .
 - ↳ A list of all the setups on the SD card is displayed.
An error message is displayed if there is no valid setup on the card.
3. Select the desired setup.
 - ↳ A warning is displayed:
The current parameters will be overwritten and the device will reboot.
Warning: Please note that cleaning and controller programs can be active.
Do you want to proceed?
4. Use **OK** to confirm or cancel.
 - ↳ If you select **OK** to confirm, the device restarts with the desired setup.


Exporting the setup

Exporting a setup offers the following advantages, among others:

- Export in XML format with a stylesheet for formatted display in an XML-compatible application, such as . Microsoft Internet Explorer
- Importing the data (drag and drop the XML file into a browser window)

1. Insert the SD card into the controller card reader.
2. Go to **Menu/Setup/General settings/Extended setup/Data management/Export setup** .
3. **Name**: Assign a file name.
4. Then select **Export** .
 - ↳ If you have already assigned the file name, you will be asked whether you want to overwrite the existing setup.


5. Use **OK** to confirm or cancel and assign a new file name.
 - ↳ Your setup is saved on the SD card in the "Device" folder.

 You cannot upload the exported setup to the device again. You must use the **Save setup**. This is the only way you can save a setup to an SD card and reload it later on or upload it to other devices.

Activation code

Activation codes are required for:

- Additional functions, e. g. Fieldbus communication
- Firmware upgrades

 If the original device has activation codes, these can be found on the nameplate. The corresponding device functions are activated at the factory. Codes are only required if servicing the device.

1. Enter the activation code: **Menu/Setup/General settings/Extended setup/Data management/Activation code**.
2. Confirm your entry.
 - ↳ The new hardware or software function is activated and can be configured.

Functions that are enabled by an activation code:

| Function | Activation code beginning with |
|---|--------------------------------|
| 2 current outputs (BASE2-E module only) | 081... |
| Web server ¹⁾ | 351... |
| PROFIBUS DP | 0B3... |
| Modbus TCP | 0B8... |
| Modbus RS485 | 0B5... |
| EtherNet/IP | 0B9... |
| PROFINET | 0B7... |
| Cooling ²⁾ | 0F1... |
| Feedforward control | 220... |
| Chemoclean Plus | 25... |
| Collecting vessel ²⁾ | 20... |
| Measuring channels ²⁾ | 28... |
| Formula ³⁾ | 321... |

- 1) Via Ethernet socket of the BASE2 module, for versions without an Ethernet fieldbus
- 2) Availability depends on measuring parameter
- 3) Mathematical function

Change the password

You can lock the operating keys with a password (access the context menu by pressing the navigator for longer). The keys can then only be enabled by entering the right password.

You can set the password to lock the keys here: **Menu/Setup/General settings/Extended setup/Data management/Change key lock password**.

1. Enter the current password (factory setting 0000).
 - ↳ Enter new password
2. Enter a new password.
 - ↳ Confirm new password

3. Enter the new password again.
 - ↳ The password has been changed successfully.

Press the navigator for longer to return to the measuring mode.

10.3 Analyzer

| Menu/Setup/Analyzer | | |
|---------------------|--|--|
| Function | Options | Info |
| Mode | Read only | Manual, automatic or fieldbus |
| Device tag | Customized text, 32 characters Factory setting Analyzer_serial number | ▶ Select any name for your analyzer. Use the TAG name for example. |
| Measuring parameter | Read only | |
| Measuring range | Read only | |

10.3.1 Extended setup

Measured value

| Menu/Setup/Analyzer/Extended setup/Measuring value | | |
|--|---|--|
| Function | Options | Info |
| Main value | Selection <ul style="list-style-type: none"> ▪ SiO2 ▪ SiO2-Si ▪ H2SiO3 Factory setting SiO2 | |
| Unit | Selection <ul style="list-style-type: none"> ▪ mg/l ▪ µg/l ▪ ppb Factory setting µg/l | |
| Main value format | Selection <ul style="list-style-type: none"> ▪ # ▪ #.# ▪ #.## ▪ #.### ▪ Auto Factory setting Auto | |
| Status for failed measurement | Selection <ul style="list-style-type: none"> ▪ Keep last value ▪ Status bad Factory setting Keep last value | Keep last value Standard practice is to keep the measured value of the last successful measurement until the next successful measurement. To detect an error during measurement, the NAMUR status signal, the timestamp of the measurement and the measured value status must be evaluated. Status bad If a measurement cannot be performed due to an error, the measured value status is set to Bad and the measured value to 0. The timestamp is updated accordingly. |

| Menu/Setup/Analyzer/Extended setup | | |
|------------------------------------|------------------|--|
| Function | Options | Info |
| Device range | Selection | The options available depend on the device version ordered. <ul style="list-style-type: none"> ▶ Select the desired measuring range from the list. |

Signals

| Menu/Setup/Analyzer/Extended setup | | |
|------------------------------------|---|---|
| Function | Options | Info |
| ▶ Signal for process access | | |
| SP1 | Selection <ul style="list-style-type: none"> ▪ Always accessible ▪ Binary input x:y Factory setting Always accessible | Always accessible: The input signal level at the binary inputs does not affect actions that require sample (measurement, calibration, cleaning). Binary input x:y: When the signal is active at the selected input, the analyzer starts actions where sample is required. Otherwise the analyzer defers or skips the action. In the case of multi-channel devices, SP2 to SP6 is also displayed, depending on the number of channels. |

Diagnostic settings

Limit values for dispensers

| Menu/Setup/Analyzer/Extended setup/Diagnostics settings/Limits dispensers | | |
|---|---|--|
| Function | Options | Info |
| Control | Selection <ul style="list-style-type: none"> ▪ Off ▪ On Factory setting On | |
| ▶ Warning limits | | Diag. code 733 |
| Remaining operating time | Selection 1 to 90 (d) Factory setting 28 d | A warning limit can be configured for every dispenser: <ul style="list-style-type: none"> ▪ Dispenser 1 ▪ Dispenser 2 ▪ Dispenser 3 |
| ▶ Alarm limits | | Diag. code 732 |
| Remaining operating time | Selection 1 to 60 d Factory setting 7 d | An alarm limit can be configured for every dispenser: <ul style="list-style-type: none"> ▪ Dispenser 1 ▪ Dispenser 2 ▪ Dispenser 3 |

Bottles

You can monitor the levels of all the bottles.

1. Switch on monitoring.
2. Enter the starting volume for every bottle.
3. Specify alarm and warning limits for the residual volumes.

4. Specify warning and alarm limits for the remaining operating time of the chemicals.
 ↳ Read remaining operating time: **DIAG/Operating time information/Remaining operating time/Bottles**

| Menu/Setup/Analyzer/Extended setup/Diagnostics settings/Bottles | | |
|---|--|---|
| Function | Options | Info |
| Control | Selection <ul style="list-style-type: none"> ▪ Off ▪ On Factory setting Off | On After the monitoring function is switched on, you can find 2 additional menu items in: Menu/Operation/Maintenance/Change bottle <ul style="list-style-type: none"> ▪ Remaining operating time ▪ Bottle filling levels |
| ▶ Bottle filling levels | | |
| ▶ Start volume | | |
| Reagent RB | 100 to 2500 ml Factory setting 1000 ml | |
| Reagent RK | 100 to 2500 ml Factory setting 1000 ml | |
| Reagent RN | 100 to 2500 ml Factory setting 1000 ml | |
| Standard S1 | 100 to 5000 ml Factory setting 2500 ml | |
| ▶ Warning limits | Diag. code 726 | Warning limits are intended as an early warning for maintenance tasks that will need to be performed soon. <ol style="list-style-type: none"> 1. Procure spare parts in time. 2. Schedule maintenance tasks. |
| Reagent RB | 1 to 40 % Factory setting 10 % | |
| Reagent RK | 1 to 40 % Factory setting 10 % | |
| Reagent RN | 1 to 40 % Factory setting 10 % | |
| Standard S1 | 1 to 20 % Factory setting 5 % | |
| ▶ Alarm limits | Diag. code 727 | Alarm limits are intended to immediately trigger maintenance tasks. <ul style="list-style-type: none"> ▶ Replace the materials concerned as quickly as possible. |
| Reagent RB | 1 to 40 % Factory setting 5 % | |
| Reagent RK | 1 to 40 % Factory setting 5 % | |

| Menu/Setup/Analyzer/Extended setup/Diagnostics settings/Bottles | | |
|---|---|----------------|
| Function | Options | Info |
| Reagent RN | 1 to 40 % Factory setting 5 % | |
| Standard S1 | 1 to 20 % Factory setting 2 % | |
| ▶ Remaining operating time | | |
| ▶ Warning limits | | Diag. code 726 |
| Reagent RB | 1 to 14 d Factory setting 14 d | |
| Reagent RK | 1 to 14 d Factory setting 14 d | |
| Reagent RN | 1 to 14 d Factory setting 14 d | |
| Standard S1 | 1 to 14 d Factory setting 14 d | |
| ▶ Alarm limits | | Diag. code 727 |
| Reagent RB | 1 to 7 d Factory setting 2 d | |
| Reagent RK | 1 to 7 d Factory setting 2 d | |
| Reagent RN | 1 to 7 d Factory setting 2 d | |
| Standard S1 | 1 to 7 d Factory setting 2 d | |

Absorption curve recording

| Menu/Setup/Analyzer/Extended setup/Diagnostics settings/Absorption curve recording | | |
|--|--|--|
| Function | Options | Info |
| In automatic mode | Selection ■ Off ■ On Factory setting Off | Off: Recording is only possible in the manual mode On: Recording also takes place in the automatic mode |
| Curve | Selection 1 to 7 Factory setting 3 | Select the absorption curve to be recorded. Only one curve can be selected at any one time. The data are saved in a logbook. |


Behavior after power failure and other settings

| Menu/Setup/Analyzer/Extended setup | | |
|------------------------------------|---|--|
| Function | Options | Info |
| After power failure | Selection <ul style="list-style-type: none"> ▪ Last mode ▪ Manual mode Factory setting Last mode | Setting specifying how the analyzer should behave after a power failure, or when the power is back on. Last mode: The analyzer remains in the mode that was last set. Example: The automatic mode was set. The analyzer continues after initialization and after any samples have been discarded. Manual mode: The analyzer switches to the manual mode and waits for user action. |
| Timeout no sample | Selection 0:00 to 30:00 mm:ss Factory setting 1:00 (MM:SS) | Maximum time the device waits for sufficient sample flow |

10.3.2 Measurement

| Menu/Setup/Analyzer/Measurement | | |
|---------------------------------|--|--|
| Function | Options | Info |
| Start condition | Selection <ul style="list-style-type: none"> ▪ Immediate ▪ Date/time Factory setting Immediate | Immediate: The analyzer immediately starts with the measurement cycle once the system changes to the automatic mode. Date/time: The analyzer starts with the measurement cycle at the set date/time. |
| Date | 01.01.1970 ... 07.02.2106 | <i>Functions only available for:</i> Start condition = Date/time |
| Time | 00:00:00 ... 23:59:59 | |
| Measuring interval | 0:10 ... 24:00 (hh:mm) Factory setting 0:20 | <i>Function only available for:</i> Start condition = Immediate or Date/time For configuring the time interval of the measurement |
| ▶ Sequence of measurements | Selection <ul style="list-style-type: none"> ▪ SP1 ▪ SP2 ▪ SP3 ▪ SP4 ▪ SP5 ▪ SP6 ▪ Pause | Defines the sequence of channels in automatic mode. Is displayed only in the case of a two-, four- or six-channel device. <ul style="list-style-type: none"> ▪ SP1: Indicate the number of consecutive measurements for channel SP1 ▪ SP2: Indicate the number of consecutive measurements for channel SP2 ▪ SP3: Indicate the number of consecutive measurements for channel SP3 ▪ SP4: Indicate the number of consecutive measurements for channel SP4 ▪ SP5: Indicate the number of consecutive measurements for channel SP5 ▪ SP6: Indicate the number of consecutive measurements for channel SP6 ▪ Pause: If the Pause channel is selected, the analyzer does not perform the measurement. You can add, delete or save rows in the table using the INSERT , DEL and SAVE soft keys. |
| Signal delay | 0 to 600 s Factory setting 0 s | Measurement active: You can delay the process of outputting the signal during an active measurement by the defined time. Measuring is paused for the duration of the signal delay time. |

Measuring a manual sample


-  Use at least a sampling volume of 1 000 ml (33.81 fl.oz) for the measurement of a manual sample.

NOTICE

Contamination of the sample

- ▶ Do not use a glass vessel for the manual sample.

Replacing a standard solution with the manual sample

1. Press the **MODE** soft key and select the **Manual mode**.
 - ↳ The display shows **Current mode- Manual**.
Wait until all operations have stopped. Ongoing operations can be canceled under **Menu/Operation/Manual operation**.
2. Remove the hose for the standard solution from the peristaltic pump. When removing, lift the end of the hose and allow the hose to drain (→  45).
3. Connect a separate, clean hose of sufficient length (e.g. Norprene, ID 1.6 mm (0.06 in)) to the peristaltic pump.
4. Place the hose in the vessel with the manual sample.

Starting manual sample measurement

- ▶ Select **Menu/Operation/Manual operation/Start manual sample measurement**.
 - ↳ Manual sample measurement is started.

Using the standard solution again after completing manual sample measurements

1. Remove the hose for the manual sample from the peristaltic pump.
2. Connect the standard solution to the peristaltic pump again.

10.3.3 Calibration

| Menu/Setup/Analyzer/Calibration | | |
|---|---|--|
| Function | Options | Info |
| Start condition | Selection <ul style="list-style-type: none"> ▪ Immediate ▪ Date/time ▪ Disabled Factory setting Immediate | The calibration can start either immediately or at the set time. |
| If the start condition selected is Immediate | | |
| Date | 01.01.1970 ... 07.02.2106 | <i>Functions only available for:</i> Start condition = Date/time |
| Time | 00:00:00 ... 23:59:59 | |
| Calibration interval | 0-01 ... 90-00 (DD-hh) Factory setting 03-00 DD-hh | For configuring the time interval of the calibration/adjustment. |
| Next calibration Mode = Automatic | Read only | |
| Zero point | Read only | |
| Calibration factor | Read only | Relationship of the measured concentration to the pre-specified concentration of the calibration standard. |

| Menu/Setup/Analyzer/Calibration | | |
|---------------------------------|--|---|
| Function | Options | Info |
| ▶ Settings | | |
| Nominal concentration | 10.00 to 5,000.0 µg/l Factory setting 200.00 µg/l | For configuring the concentration of the calibration standard solution. Depends on the settings under Menu/Setup/Analyzer/Extended setup/Measuring value/Main value |
| Automatic cleaning | Selection <ul style="list-style-type: none"> ■ Off ■ On Factory setting | For specifying whether cleaning will take place before every calibration/adjustment (only in the automatic mode). |

10.4 Current inputs

The input can be used as the data source for limit switches and logbooks, for example. Furthermore, external values can be made available as set points for controllers.


| Menu/Setup/Inputs/Current input x:y ¹⁾ | | |
|--|---|---|
| Function | Options | Info |
| Mode | Selection <ul style="list-style-type: none"> ■ Off ■ 0 - 20mA ■ 4 - 20mA Factory setting 4 - 20mA | ▶ Select the same current range as in the data source (connected device). |
| Input variable | Selection <ul style="list-style-type: none"> ■ Parameter ■ Current Factory setting Current | ▶ Select the input variable. |
| Meas. value format | Selection <ul style="list-style-type: none"> ■ # ■ #.# ■ #.## ■ #.### Factory setting #.# | ▶ Specify the number of decimal places. |
| Parameter name Input variable = Parameter | Customized text, 16 characters | ▶ Assign a useful name, e.g. the parameter name that the data source also uses. |
| Unit of measure Input variable = Parameter | Customized text, 16 characters | You cannot choose the unit from a list. If you want to use a unit, you must enter it here as customized text. |

| Menu/Setup/Inputs/Current input x:y ¹⁾ | | |
|--|---|--|
| Function | Options | Info |
| Lower range value Input variable = Parameter | -20.0 ... Upper range value <unit of measure> Factory setting 0.0 <engineering unit> | ▶ Enter the measuring range. The lower and upper range values are assigned to the 0 or 4 mA value and the 20 mA value respectively. The system uses the engineering unit which you entered beforehand. |
| Upper range value Input variable = Parameter | Lower range value to 10000.0 <engineering unit> Factory setting 10.0 <engineering unit> | |
| Damping | 0 to 60 s Factory setting 0 s | The damping causes a floating average curve of the measured values over the time specified. |

1) x:y = slot no. : input number

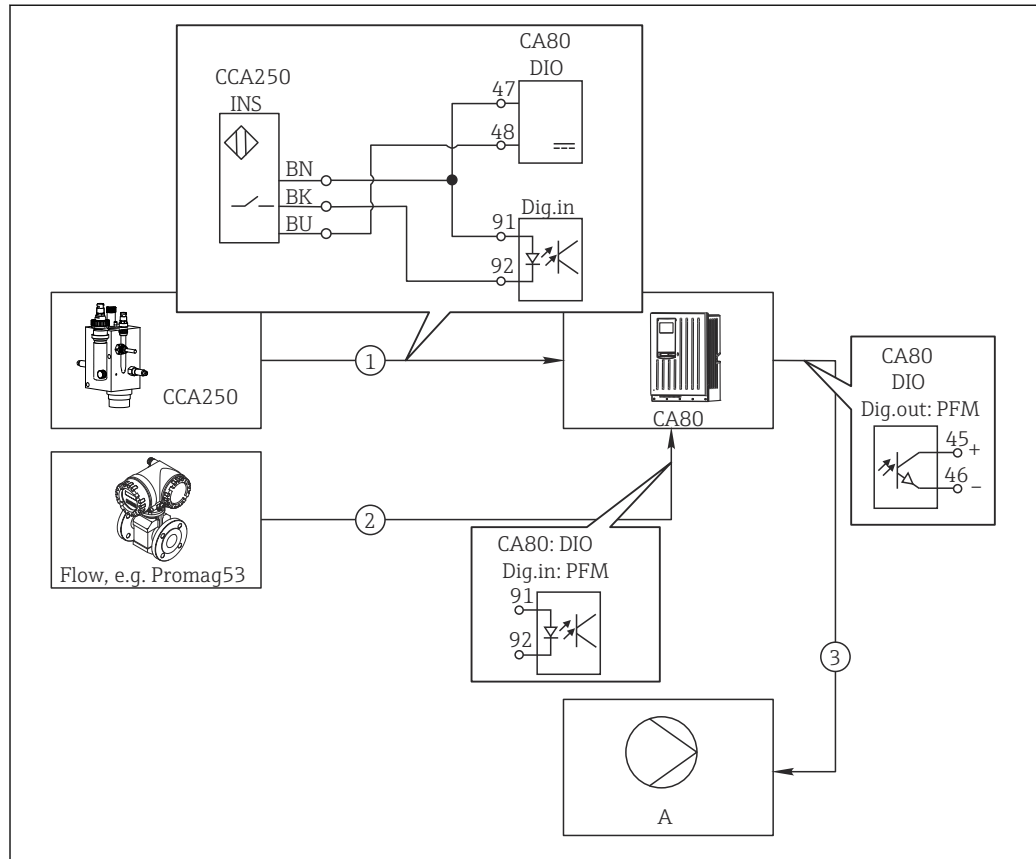
10.5 Binary inputs and outputs

Hardware options, such as the DIO module with 2 digital inputs and 2 digital outputs or fieldbus module 485DP/485MB enable the following:

- Via a digital input signal
 - measuring range switching for conductivity (upgrade code required, →  67)
 - switching between different calibration datasets in the case of optical sensors
 - external hold (for sensors)
 - a cleaning interval to be triggered (for sensors)
 - measurements to be started, interruption of measuring intervals
 - PID controller switch-on/switch-off, e.g. via the proximity switch of the CCA250
 - the use of the input as an "analog input" for pulse-frequency modulation (PFM)
- Via a digital output signal
 - diagnostic states, point level switches, "Active measurement" system state, "Sample required" information or similar states transmitted statically (similar to a relay)
 - the dynamic transmission (comparable to a non-wearing "analog output") of PFM signals, e.g. to control dosing pumps

10.5.1 Application examples

Chlorine control with feedforward control



63 Example of chlorine control with feedforward control

- 1 Connection of the inductive proximity switch INS of CCA250 to the digital input of the DIO module
- 2 Connection of the signal from a flowmeter to the digital input of the DIO module
- 3 Activation of a (pulse) dosing pump via the digital output of the DIO module
- A Dosing pump

Utilize the advantage of the effectively wear-free control with binary outputs versus a control system with relay. With pulse-frequency modulation (PFM), it is possible to achieve virtually continuous dosing using a dosing pump with higher input frequency.

1. Connect the proximity switch INS on the CCA250 assembly to a digital input of the DIO module (e.g. slot 6, port 1).
2. Configure a controller in the software and select binary input (e.g. **Binary input 1**) as the source to which the proximity switch is connected. (**Menu/Additional functions/Controllers/Controller 1/Controller enable = Binary input 1**)
3. **Signal type:** For the selected input, select the factory setting (**Static signal**).
4. Connect the measured value of a flowmeter to the second input of the DIO module (e.g. slot 6, port 2).
5. **Signal type:** Select **PFM** for this input. (**Menu/Inputs/Binary input 6:2/Signal type = PFM**)
6. **Input variable:** Select the corresponding measured value (**Flow rate**).
 - ↳ You can now use the input you have just configured as the disturbance variable for your controller ¹⁾.

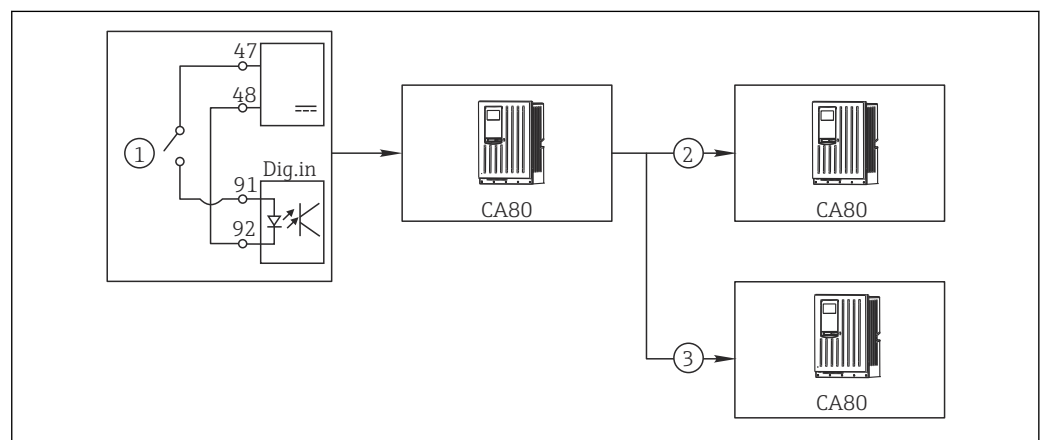
1) An activation code, Order No. 71211288, is necessary for the "feedforward control" function.

7. **Disturbance variable:** In the controller menu, select the binary input to which the flow measured value is connected. (**Menu/Additional functions/Controllers/Controller 1/Disturbance variable/Source of data = Binary input 6:2 and Measured value = PFM value**)
8. You can activate a dosing pump through PFM via a digital output of the DIO module. Connect the pump to an output of the DIO module (e.g. slot 6, port 1) and select the following settings in the menu: **Menu/Outputs/Binary output 6:1/Signal type = PFM and Source of data = Controller 1.**

Take the direction of action of your dosing into account. Select the correct parameter (**Actuator type = Unipolar+ or Unipolar-**).

You must make additional settings in the controller menu to fully customize the control to suit your process conditions.

CA8x as the cleaning master for connected sensors (optional)



A0029241

64 Example of a central cleaning control

- 1 External cleaning trigger at the binary input
- 2 Transferring the external hold over binary output to other measuring instruments without connected cleaning functions
- 3 Transferring the cleaning trigger over a binary output to other self-cleaning measuring points

1. An external trigger actuates a cleaning operation at the master. A cleaning unit is connected, e.g. via a relay or binary output.
2. The cleaning trigger is transferred to another device via a binary output. This does not have its own connected cleaning unit, but its sensors are installed in the medium affected by cleaning the master and are set to hold by the trigger.
3. The trigger is transferred via an additional binary output to another device, whose connected sensors have their own cleaning units. The signal can be used to simultaneously activate a self-cleaning with the master.

Interrupting the operation via an external signal

You can temporarily interrupt the automatic operation of the analyzer via an external signal at the "DIO" module. This can be useful if no sample is available in your process at certain times, e.g. during a cleaning phase.

The following information is processed at the binary inputs or output at the binary outputs:

■ Binary inputs:

Signal for process access: The analyzer can only perform activities that require sample (measurement, calibration, cleaning) when the signal is active. The time and the sequence of activities correspond to the settings in the setup. All activities that require sample are delayed as long as the signal is inactive.

■ Binary outputs:

■ **Measurement active** signal: Indicates that a measurement is currently running. The signal is not active in the event of a calibration or cleaning.

■ **Sample required** signal: The signal is active for a configurable time before every activity that requires sample. This makes it possible to activate an external pump or a dilution module, for example.

1. Select **Menu/Setup/Inputs/Binary input x:y**.
2. Configure the binary inputs as follows:

| Menu/Setup/Inputs/Binary input x:y ¹⁾ | | |
|--|-------------------------------------|---|
| Function | Options | Info |
| Binary input | Selection On | |
| Signal type | Selection Static signal | |
| Signal level | Selection ■ High ■ Low | Specifies the active signal level: Low Input signals between 0 and 5 V DC High Input signals between 11 and 30 V DC |

1) x:y = slot no.: input number

3. Link the binary inputs with the analyzer: Select **Menu/Setup/Analyzer/Extended setup/Signal for process access**.
4. Select measuring channel **SP1**.
5. Assign a binary input to the selected measuring channel: Select **Binary input x:y**.

Controlling the measurement start time via an external signal

You can temporarily interrupt the automatic operation of the analyzer via an external signal at the "DIO" module. You can also use this signal to specifically start individual measurements. In this way, you can specify the time of the measurements using your external control system.

To do this, connect the **Signal for process access** to a binary input of the "DIO" module and set the starting time of the measurements to **Continuous**. A measurement starts immediately as soon as the signal at the binary input is active. The only exception is if a calibration or cleaning is due on the basis of the set time intervals: in this case, these activities are performed first of all and then the measurement follows immediately afterwards. If necessary, connect the **Measurement active** signal to a binary output to identify when the measurement actually begins. If you do not require any more measurements once the first measurement is finished, you have to already disable the **Signal for process access** during the active measurement.

The following information is processed at the binary inputs or output at the binary outputs:

■ Binary inputs:

Signal for process access: The analyzer can only perform activities that require sample (measurement, calibration, cleaning) when the signal is active. The time and the sequence of activities correspond to the settings in the setup. All activities that require sample are delayed as long as the signal is inactive.

■ Binary outputs:

■ **Measurement active** signal: Indicates that a measurement is currently running. The signal is not active in the event of a calibration or cleaning.

■ **Sample required** signal: The signal is active for a configurable time before every activity that requires sample. This makes it possible to activate an external pump or a dilution module, for example.

1. For the measurement, under **Menu/Setup/Analyzer/Measurement** select **Continuous** as the start condition (analyzer measures continuously, without interruption, between the measurements).
2. Select **Menu/Setup/Inputs/Binary input x:y**.
3. Configure the binary inputs as follows:

| Menu/Setup/Inputs/Binary input x:y ¹⁾ | | |
|--|---|---|
| Function | Options | Info |
| Binary input | Selection On | |
| Signal type | Selection Static signal | |
| Signal level | Selection <ul style="list-style-type: none"> ■ High ■ Low | Specifies the active signal level: Low Input signals between 0 and 5 V DC High Input signals between 11 and 30 V DC |

1) x:y = slot no.: input number

4. Link the binary inputs with the analyzer: Select **Menu/Setup/Analyzer/Extended setup/Signal for process access**.
5. Select measuring channel **SP1**.
6. Assign a binary input to the selected measuring channel: Select **Binary input x:y**.
7. Select **Menu/Setup/Outputs/Binary output x:y**.
8. Configure the binary outputs as follows:

| Menu/Setup/Outputs/Binary output x:y ¹⁾ | | |
|--|--|--|
| Function | Options | Info |
| Binary output | Selection On | |
| Signal type | Selection Static signal | |
| Function | Selection Analyzer | |
| Assignments Function = Analyzer | Selection Measurement active SP1 | Here select which binary outputs output the system status for a measurement currently running. |

1) x:y = slot no.: input number

9. Press **OK** to confirm.
 - ↳ The binary inputs and binary outputs are configured.
10. Switch to the automatic mode: Press the **MODE** soft key and select **Continue automatic mode** or **Start automatic mode**.
 - ↳ The display shows **Current mode- Automatic**.

10.5.2 Binary input configuration

| Menu/Setup/Inputs/Binary input x:y ¹⁾ | | |
|--|---|---|
| Function | Options | Info |
| Binary input | Selection <ul style="list-style-type: none"> ▪ Off ▪ On Factory setting On | Switches the input on/off |
| Signal type | Selection <ul style="list-style-type: none"> ▪ Static signal ▪ PFM Factory setting Static signal | <ul style="list-style-type: none"> ▶ Select the signal type. Static signal Use this setting to read out the position of, for example, an on/off switch, an inductive proximity switch or a PLC binary output. Signal application: for measuring range switching, acceptance of an external hold, as a cleaning trigger or for controller activation PFM The PFM setting produces a pulse-frequency-modulated signal that is subsequently available on the device as a quasi-continuous process value. Example: Measuring signal of a flowmeter |
| Signal type = Static signal | | |
| Signal level | Selection <ul style="list-style-type: none"> ▪ Low ▪ High Factory setting High | Specifies which input signal levels should activate, for example, measuring range switching or a cleaning. Low Input signals between 0 and 5 V DC High Input signals between 11 and 30 V DC |
| Signal type = PFM | | |
| Max. frequency | 100.00 to 1000.00 Hz Factory setting 1000.00 Hz | Maximum frequency of the PFM input signal Is to equal the maximum possible upper limit of the measuring range. If the value selected is too small, higher frequencies will not be detected. If the value is too large, on the other hand, the resolution for small frequencies will be relatively inexact. |
| Meas. value format | Selection <ul style="list-style-type: none"> ▪ # ▪ #.# ▪ #.## ▪ #.### Factory setting #.## | <ul style="list-style-type: none"> ▶ Specify the number of decimal places. |

| Menu/Setup/Inputs/Binary input x:y ¹⁾ | | |
|---|--|--|
| Function | Options | Info |
| Input variable | Selection <ul style="list-style-type: none"> ▪ Frequency ▪ Parameter ▪ Flow rate Factory setting Frequency | Frequency Display in Hz in the measuring menu Parameter You subsequently determine the parameter name and unit. These are then displayed in the measuring menu. Flow rate For connecting a flowmeter |
| Parameter name Input variable = Parameter | Customized text, 16 characters | ▶ Define a name for the parameter, e.g. "Pressure". |
| Unit of measure Input variable = Parameter | Customized text, 16 characters | ▶ Specify the unit for your parameter, e.g. "hPa". |
| Lower range value Input variable = Parameter or Flow rate | -2000.00 to 0.00 Factory setting 0.00 | The start of measuring range corresponds to a frequency of 0 Hz. Your previously defined unit is additionally displayed. |
| Upper range value Input variable = Parameter or Flow rate | 0.00 to 10000.00 Factory setting 0.00 | The end of measuring range corresponds to the maximum frequency defined above. Your previously defined unit is additionally displayed. |
| Damping | 0 to 60 s Factory setting 0 s | The damping causes a floating average curve of the measured values over the time specified. |

1) x:y = slot no. : input number

10.5.3 Configuration of binary outputs

| Menu/Setup/Outputs/Binary output x:y ¹⁾ | | |
|--|---|--|
| Function | Options | Info |
| Binary output | Selection <ul style="list-style-type: none"> ▪ Off ▪ On Factory setting On | Switches the output on/off |
| Signal type | Selection <ul style="list-style-type: none"> ▪ Static signal ▪ PFM Factory setting Static signal | ▶ Select the signal type. Static signal Comparable to a relay: output of a diagnostic status, a limit switch or the status of an active measurement PFM You can output a measured value, e.g. the chlorine value or the manipulated variable of a controller. It functions as a "wear-free" switching contact that can be used to control a dosing pump, for example. |

| Menu/Setup/Outputs/Binary output x:y ¹⁾ | | |
|---|---|--|
| Function | Options | Info |
| Signal type = Static signal | | |
| Function | Selection <ul style="list-style-type: none"> ▪ None ▪ Limit switches ▪ Diagnostics message ▪ Cleaning ▪ Analyzer Factory setting None | Source for the outputted switching state The following functions depend on the option selected. Function = None switches off the function. There are no other settings. |
| Assignments Function = Cleaning | Multiple selection <ul style="list-style-type: none"> ▪ Cleaning 1 - Water ... ▪ Cleaning 4 - Cleaner | Here you can decide which binary outputs should be used for activating the valves and pumps. Here you specifically assign a control signal to the binary output for the cleaner/water dosing of a cleaning program. You can define cleaning programs under: Menu/Setup/Additional functions/Cleaning . |
| Data sources Function = Limit switches | Multiple selection Limit switch 1 ... 8 | ► Select the limit switches that should be output via the binary output. Configuration of the limit switches: Menu/Setup/Additional functions/Limit switches . |
| Operating mode Function = Diagnostics message | Selection <ul style="list-style-type: none"> ▪ as assigned ▪ NAMUR M ▪ NAMUR S ▪ NAMUR C ▪ NAMUR F Factory setting as assigned | as assigned With this selection, the diagnosis messages are transmitted over the binary output that you individually allocated to it. NAMUR M ... F When you choose one of the Namur classes, all messages allocated to that particular class are output. You can change the Namur class assignment for each diagnostic message. |
| Assignments Function = Analyzer | Selection <ul style="list-style-type: none"> ▪ None ▪ Sample required SP1 ▪ Measurement active SP1 Factory setting None | If this option is selected, the binary output outputs information as to whether a measurement is active on the selected measuring channel or an action is started that requires sample (measurement, calibration or cleaning). . |
| Signal type = PFM | | |
| Max. frequency | 1.00 to 1000.00 Hz Factory setting 1000.00 Hz | Maximum frequency of the PFM output signal Is to equal the maximum possible upper limit of the measuring range. |
| Meas. value format | Selection <ul style="list-style-type: none"> ▪ # ▪ #.# ▪ #.## ▪ #.### Factory setting #.## | ► Specify the number of decimal places. |

| Menu/Setup/Outputs/Binary output x:y ¹⁾ | | |
|---|--|--|
| Function | Options | Info |
| Source of data | Selection <ul style="list-style-type: none"> ▪ None ▪ Sensor inputs ▪ Binary inputs ▪ Controller ▪ Fieldbus signals ▪ Mathematical functions Factory setting None | Source whose value should be read out as a frequency via the binary output. |
| Measuring value Source of data ≠ Controller | Selection Depends on: Source of data | ► Choose the measured value which should be output as the frequency via the binary output. |
| Actuator type Source of data = Controller | Selection <ul style="list-style-type: none"> ▪ None ▪ Bipolar ▪ Unipolar+ ▪ Unipolar- Factory setting None | ► Determines which part of the controller should control the connected actuators, e.g. the dosing pump. Bipolar "Split range" Unipolar+ Part of the manipulated variable that the controller uses to increase the process value Unipolar- For connected actuators that decrease the controlled variable |
| Hold behavior | Selection <ul style="list-style-type: none"> ▪ Freeze ▪ Fixed value ▪ None Factory setting None | Freeze The device freezes the last value. Fixed value You define a fixed current value that is transmitted at the output. None A hold does not affect this output. |
| Hold value Hold behavior = Fixed value | 0 ... 100 % Factory setting 0 % | |
| Error behavior | Selection <ul style="list-style-type: none"> ▪ Freeze ▪ Fixed value Factory setting Fixed value | Freeze The device freezes the last value. Fixed value You define a fixed current value that is transmitted at the output. |
| Error value Error behavior = Fixed value | 0 ... 100 % Factory setting 0 % | |

1) x:y = slot no. : input number


10.6 Signal outputs

10.6.1 Current outputs

Liquiline System is equipped with 2 analog current outputs as standard. You can configure additional current outputs with extension modules.

Setting the current output range

- **Menu/Setup/General settings: 0..20 mA or 4..20 mA.**

| Menu/Setup/Outputs/Current output x:y ¹⁾ | | |
|---|---|--|
| Function | Options | Info |
| Current output | Selection <ul style="list-style-type: none"> ▪ Off ▪ On Factory setting Off | Use this function to activate or deactivate a variable being output at the current output |
| Source of data | Selection <ul style="list-style-type: none"> ▪ None ▪ Connected inputs ▪ Controller Factory setting None | The sources of data on offer depend on your device version. The main value of the analyzer and all the sensors and controllers connected to inputs are available for selection. |
| Measured value | Selection <ul style="list-style-type: none"> ▪ None ▪ Depends on the Source of data Factory setting None | The measured value you can select depends on the option selected under Source of data . |
|  The list of dependent measured values is provided in the Measured value table, <i>subject to the Source of data</i> → 84. Apart from measured values from connected sensors, you can also select a controller as the data source. The best way to do so is by using the Additional functions menu. Here, you can select and configure the current output for outputting the controlled variable. | | |
| Range lower value | Range of adjustment and factory settings depend on the Measured value | You can output the entire measuring range or just some of it at the current output. To do so, specify the upper and lower range values in accordance with your requirements. |
| Range upper value | | |
| Hold behavior (for sensors) | Selection <ul style="list-style-type: none"> ▪ Freeze last value ▪ Fixed value ▪ Ignore Factory setting Depends on the channel:output | Freeze last value The device freezes the last current value. Fixed value You define a fixed current value that is output at the output. Ignore A hold does not affect this current output. |
| Hold current (for sensors) Hold behavior = Fixed value | 0.0 to 23.0 mA Factory setting 22.0 mA | ► Specify which current should be output at this current output in the hold state. |

1) x:y = slot:output number

Measured value depending on the Source of data

| Source of data | Measured value |
|----------------|--|
| Silica | Selection Main value |
| pH Glass | Selection <ul style="list-style-type: none"> ▪ Raw value mV ▪ pH ▪ Temperature |
| pH ISFET | |
| ORP | Selection <ul style="list-style-type: none"> ▪ Temperature ▪ ORP mV ▪ ORP % |

| Source of data | Measured value |
|---------------------------------------|---|
| Oxygen (amp.) | Selection <ul style="list-style-type: none"> ■ Temperature ■ Partial pressure ■ Concentration liquid ■ Saturation ■ Raw value nA (only Oxygen (amp.)) ■ Raw value μs (only Oxygen (opt.)) |
| Oxygen (opt.) | |
| Cond i | Selection <ul style="list-style-type: none"> ■ Temperature ■ Conductivity ■ Resistance (only Cond c) ■ Concentration (only Cond i and Cond c 4-pol) |
| Cond c | |
| Disinfection | Selection <ul style="list-style-type: none"> ■ Temperature ■ Sensor current ■ Concentration |
| ISE | Selection <ul style="list-style-type: none"> ■ Temperature ■ pH ■ Ammonium ■ Nitrate ■ Potassium ■ Chloride |
| TU/TS | Selection <ul style="list-style-type: none"> ■ Temperature ■ Turbidity g/l (only TU/TS) ■ Turbidity FNU (only TU/TS) ■ Turbidity Formazine (only TU) ■ Turbidity solid (only TU) |
| TU | |
| Nitrate | Selection <ul style="list-style-type: none"> ■ Temperature ■ NO₃ ■ NO₃-N |
| Ultrasonic interface | Selection Interface |
| SAC | Selection <ul style="list-style-type: none"> ■ Temperature ■ SAC ■ Transm. ■ Absorption ■ COD ■ BOD |
| Controller 1 Current input 1 ... 3 | Selection <ul style="list-style-type: none"> ■ Bipolar (only for current outputs) ■ Unipolar+ ■ Unipolar- |
| Controller 2 Temperature 1 ... 3 | |
| Mathematical functions | All the mathematical functions can also be used as a data source and the calculated value can be used as the measured value. |

Outputting the controller manipulated variable via the current output

Unipolar+ Assign to the output to which an actuator that can increase the measured value is connected. **Unipolar-** Assign to the output to which an actuator that can decrease the measured value is connected.

To output the manipulated variable of a two-sided controller, positive manipulated variables and negative manipulated variables generally have to be output to different actuators, as most actuators are able to influence the process in one direction only (not in both). For this purpose, the instrument splits the bipolar manipulated variable y into two unipolar manipulated variables, y+ and y-.


Only the two unipolar manipulated variable parts are available for selection for outputting to modulated relays. If outputting the values via a current output, you also have the possibility of outputting the bipolar manipulated variable y to one current output only (split range).

10.6.2 Alarm relay and optional relays

The basic version of the device always has one alarm relay. Additional relays are also available depending on the version of the device.


The following functions can be output via a relay:

- Limit switch status
- Controller manipulated variable for controlling an actuator
- Diagnostic messages
- Status of a cleaning function in order to control a pump or a valve

 You can assign a relay to multiple inputs in order to clean several sensors with just one cleaning unit, for example.

| Menu/Setup/Outputs/Alarm relay or relay at channel no. | | |
|--|--|---|
| Function | Options | Info |
| Function | <p>Selection</p> <ul style="list-style-type: none"> ▪ Off ▪ Limit switch ▪ Controller ▪ Diagnostics ▪ Cleaning (sensor) ▪ Formula (sensor) ▪ Device status signal ▪ Analyzer <p>Factory setting</p> <ul style="list-style-type: none"> ▪ Alarm relays: Diagnostics ▪ Other relays: Off | <p>The following functions depend on the option selected. These versions are illustrated individually in the following sections to provide a clearer understanding of the options.</p> <p>Function = Off Switches off the relay function and means no further settings are required.</p> |

Outputting the status of a limit switch

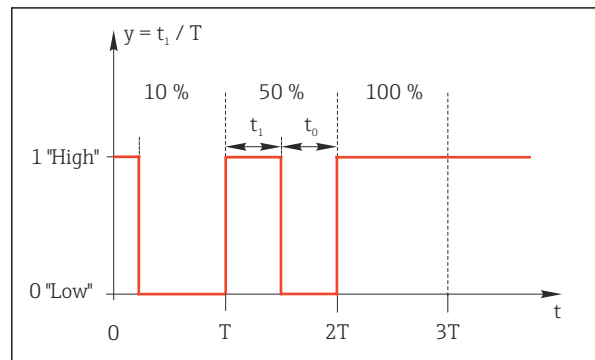
| Function = Limit switch | | |
|-------------------------|--|---|
| Function | Options | Info |
| Source of data | Selection Limit switch 1 ... 8 Factory setting None | Select the limit switch via which the status of the relay is to be output. The limit switches are configured in the menu: Setup/Additional functions/Limit switches.  Use the ALL and NONE soft keys to select or deselect all the limit switches in one go. |
| Hold behavior | Selection <ul style="list-style-type: none"> ▪ Freeze last value ▪ Fixed value ▪ Ignore Factory setting Ignore | |

Outputting the manipulated variable of a controller

To output a controller manipulated variable via a relay, the relay is modulated. The relay is energized (pulse, t_1) and is then de-energized (interval, t_0).

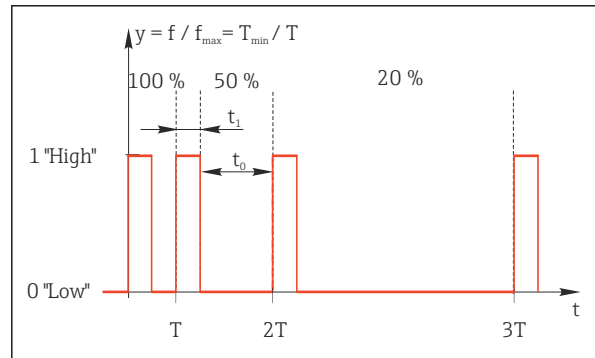
| Function = Controller | | |
|-----------------------|--|---|
| Function | Options | Info |
| Source of data | Selection <ul style="list-style-type: none"> ▪ None ▪ Controller 1 ▪ Controller 2 Factory setting None | <ul style="list-style-type: none"> ▶ Select the controller that should act as the data source. |
| Operating mode | Selection <ul style="list-style-type: none"> ▪ PWM ▪ PFM Factory setting PWM | PWM=pulse width modulation PFM=pulse frequency modulation |

1. **PWM** (pulse width modulation):
The duty cycle is varied within a period T ($T=t_1+t_0$). The cycle duration remains constant.



65 Typical application: solenoid valve

2. **PFM** (pulse frequency modulation):
Here, pulses of a constant length (t_1) are output and the interval between the pulses varies (t_0). At a maximum frequency, $t_1 = t_0$.



66 Typical application: dosing pump

| Function = Controller | | |
|---|--|--|
| Function | Options | Info |
| Actuator type | Selection <ul style="list-style-type: none"> ■ None ■ Unipolar(-) ■ Unipolar(+) Factory setting None | Here you specify what part of the controller should power the relay. Unipolar(+) is the part of the manipulated variable which the controller uses to increase the process value (e.g. for heating purposes). Alternatively, select Unipolar(-) if you are connecting an actuator to the relay that reduces the controlled variable (e.g. for cooling purposes). |
| Cycle duration Operating mode = PWM | Shortest turn-on time to 999.0 s Factory setting 10.0 s | <ul style="list-style-type: none"> ► Specify the cycle duration within which the duty cycle should be varied (only PWM). |
| The settings for Cycle duration and Shortest turn-on time influence one another. The following applies: Cycle duration ≥ Shortest turn-on time. | | |
| Shortest turn-on time Operating mode = PWM | 0.3 s to Cycle duration Factory setting 0.3 s | Pulses that are shorter than this limit value are not output in order to conserve the actuator. |

| Function = Controller | | |
|--|--|--|
| Function | Options | Info |
| Maximum frequency Operating mode = PFM | 1 to 180 min ⁻¹ Factory setting 60 min ⁻¹ | Maximum number of pulses per minute The controller calculates the pulse duration based on this setting. |
| Hold behavior | Selection <ul style="list-style-type: none"> ▪ Freeze last value ▪ Fixed value ▪ Ignore Factory setting Ignore | |

Outputting diagnostic messages via the relay

If a relay is defined as a diagnostic relay (**Function = Diagnostics**), it operates in "**Fail-safe mode**".

This means that the relay is always energized ("normally closed", n.c.) in the basic state if an error is not present. This enables it to also indicate a voltage drop, for example. The alarm relay always works in the failsafe mode.

You can output two categories of diagnostic messages via the relay:

- Diagnostic messages from one of the four NAMUR classes
- Diagnostic messages which you have individually assigned to the relay output

A message is individually assigned to the relay output at 2 specific points in the menu:

- **Menu/Setup/General settings/Extended setup/Diagnostics settings/Diag. behavior** (device-specific messages)
- **Menu/Setup/Inputs/<Sensor>/Extended setup/Diagnostics settings/Diag. behavior** (sensor-specific messages)

 Before you can assign a special message to the relay output in **Diag. behavior**, you need to set **Outputs/relay x:y** or **/Alarm relay/Function = Diagnostics**.

| Function = Diagnostics | | |
|---|---|--|
| Function | Options | Info |
| Operating mode | Selection <ul style="list-style-type: none"> ▪ as assigned ▪ NAMUR M ▪ NAMUR S ▪ NAMUR C ▪ NAMUR F Factory setting <ul style="list-style-type: none"> ▪ Relay: as assigned ▪ Alarm relays: NAMUR F | as assigned If this option is selected, the diagnostic messages which you have individually assigned to the relay are output via the relay. NAMUR M ... NAMUR F If you decided to use one of the NAMUR classes, all the messages that are assigned to the individual class are output via the relay. You can also change the NAMUR class assignment for every diagnostic message. (Menu/Setup/General settings/Extended setup/Diagnostics settings/Diag. behavior or Menu/Setup/Inputs/<Sensor>/Extended setup/Diagnostics settings/Diag. behavior) |
| Attributed diagnostic messages Operating mode = as assigned | Read only | All the messages assigned to the relay output appear on the display. You do not have the option of editing the information here. |

Outputting the status of a cleaning function

| Function = Cleaning (for sensors) | | |
|-----------------------------------|--|--|
| Function | Options | Info |
| Assignments | Selection <ul style="list-style-type: none"> ▪ None ▪ Depends on the type of cleaning Factory setting None | Here you can specify how a cleaning function should be displayed for the relay. You have the following options depending on the cleaning program that is selected (Menu/Setup/Additional functions/Cleaning): <ul style="list-style-type: none"> ▪ Cleaning type = Standard clean Cleaning 1 - Water, Cleaning 2 - Water, Cleaning 3 - Water, Cleaning 4 - Water ▪ Cleaning type = Chemoclean Cleaning 1 - Water, Cleaning 1 - Cleaner, Cleaning 2 - Water, Cleaning 2 - Cleaner, Cleaning 3 - Water, Cleaning 3 - Cleaner, Cleaning 4 - Water, Cleaning 4 - Cleaner ▪ Cleaning type = Chemoclean Plus 4x Cleaning 1 - %OV, 4x Cleaning 2 - %OV¹⁾ |
| Hold behavior | Selection <ul style="list-style-type: none"> ▪ Freeze last value ▪ Fixed value ▪ Ignore Factory setting Ignore | Freeze last value The device freezes the last measured value. Fixed value You define a fixed measured value that is output at the output. Ignore A hold has no effect. |

1) %OV is variable text which you can assign in **Menu/Setup/Additional functions/Cleaning/Chemoclean Plus/Output label 1 ... 4**.

Outputting the "Measurement active" system status and the information "Sample required"

| Function = Analyzer | | |
|---|---|--|
| Function | Options | Info |
| Signal type = Static signal | | |
| Assignments Function = Analyzer | Selection <ul style="list-style-type: none"> ▪ None ▪ Sample required SP1 ▪ Measurement active SP1 Factory setting None | If this option is selected, information is output as to whether a measurement is active on the selected measuring channel or an action is started that requires sample (measurement, calibration or cleaning). |

10.6.3 PROFIBUS DP and PROFINET

Device variables (device → PROFIBUS/PROFINET)

Here you can specify which process values should be mapped to the PROFIBUS function blocks and are thereby available for transmission via PROFIBUS communication.

You can define a maximum of 16 device variables (AI Blocks).

1. Define the data source.
↳ You can choose from sensor inputs, current inputs and mathematical functions.
2. Choose the measured value to be transmitted.
3. Define how the device should behave in the hold state (for sensors). (Configuration options of **Source of data**, **Measured value** and **Hold behavior**) → 84

Please note that if you select **Hold behavior= Freeze** , the system not only flags the status but also actually "freezes" the measured value.

In addition, you can define 8 binary variables (DI Blocks):

1. Define the data source.
2. Select the limit switch or relay whose status is to be transmitted.

PROFIBUS/PROFINET variables (PROFIBUS/PROFINET → device)

A maximum of 4 analog (AO) and 8 digital (DO) PROFIBUS variables are available as measured values in the controller, limit switch or current output menus.

Example: Using an AO or DO value as the set point for the controller

Menu/Setup/Additional functions/Controller 1

1. In the specified menu, define PROFIBUS as the data source.
2. Select the desired analog output (AO) or digital output (DO) as the measured value.



Further information on "PROFIBUS" can be found in the Guideline for Communication via PROFIBUS, SD01188C



Further information on "PROFINET" can be found in the Guideline for Communication via PROFINET, SD02490C

10.6.4 Modbus RS485 and Modbus TCP

Specify which process values should be output via Modbus RS485 Communication or via Modbus TCP.

In the case of Modbus RS485, you can switch between the RTU and the ASCII protocol.

You can define a maximum of 16 device variables.

1. Define the data source.
 - ↳ You can choose from the analyzer as well as sensor inputs and controllers.
2. Select the measured value to be output.
3. Define how the device should behave in the hold state (for sensors). (Configuration options of **Source of data, Measured value and Hold behavior**) → 84

Please note that if you select **Hold behavior = Freeze** , the system not only flags the status but also actually "freezes" the measured value.



Further information on "Modbus" can be found in the Guideline for Communication via Modbus, SD01189C

10.6.5 Ethernet/IP

Specify which process values should be output via EtherNet/IP communication.


You can define a maximum of 16 analog device variables (AI).

1. Define the data source.
 - ↳ You can choose from the analyzer as well as sensor inputs and controllers.
2. Select the measured value to be output.
3. Define how the device should behave in the hold state (for sensors). (Configuration options of **Source of data, Measured value and Hold behavior**) → 84
4. In the case of controllers, also specify the type of manipulated variable.

Please note that if you select **Hold behavior = Freeze** , the system not only flags the status but also actually "freezes" the measured value.

In addition you can define 8 digital device variables (DI):

- ▶ Define the data source.
 - ↳ You can choose from relays, binary inputs and limit switches.

 For further information on "EtherNet/IP", see the Guideline for Communication via EtherNet/IP, SD01293C

10.7 Additional functions

10.7.1 Limit switch

There are different ways to configure a limit switch:

- Assigning a switch-on and switch-off point
- Assigning a switch-on and switch-off delay for a relay
- Setting an alarm threshold and also outputting an error message
- Starting a cleaning function (for sensors)

| Menu/Setup/Additional functions/Limit switches/Limit switch 1 ... 8 | | |
|---|---|---|
| Function | Options | Info |
| Source of data | Selection <ul style="list-style-type: none"> ▪ None ▪ Sensor inputs ▪ Binary inputs ▪ Controller ▪ Fieldbus signals ▪ Mathematical functions ▪ MRS set 1 ... 2 Factory setting None | <ul style="list-style-type: none"> ▶ Specify the input or output which is to be the data source for the limit switch. The sources of data on offer depend on your device version. You can choose from connected sensors, binary inputs, fieldbus signals, mathematical functions, controllers and sets for measuring range switching. |
| Measuring value | Selection Depends on: Source of data | <ul style="list-style-type: none"> ▶ Select the measured value, see the following table. |

Measured value depending on the Source of data

| Source of data | Measured value |
|----------------|--|
| Silica | Selection Main value |
| pH Glass | Selection <ul style="list-style-type: none"> ▪ Raw value mV ▪ pH ▪ Temperature |
| pH ISFET | |
| ORP | Selection <ul style="list-style-type: none"> ▪ Temperature ▪ ORP mV ▪ ORP % |
| Oxygen (amp.) | Selection <ul style="list-style-type: none"> ▪ Temperature ▪ Partial pressure ▪ Concentration liquid ▪ Saturation ▪ Raw value nA (only Oxygen (amp.)) ▪ Raw value µs (only Oxygen (opt.)) |
| Oxygen (opt.) | |

| Source of data | Measured value |
|---------------------------------------|--|
| Cond i | Selection <ul style="list-style-type: none"> ■ Temperature ■ Conductivity ■ Resistance (only Cond c) ■ Concentration (only Cond i and Cond c 4-pol) |
| Cond c | |
| | |
| Disinfection | Selection <ul style="list-style-type: none"> ■ Temperature ■ Sensor current ■ Concentration |
| ISE | Selection <ul style="list-style-type: none"> ■ Temperature ■ pH ■ Ammonium ■ Nitrate ■ Potassium ■ Chloride |
| TU/TS | Selection <ul style="list-style-type: none"> ■ Temperature ■ Turbidity g/l (only TU/TS) ■ Turbidity FNU (only TU/TS) ■ Turbidity Formazine (only TU) ■ Turbidity solid (only TU) |
| TU | |
| Nitrate | Selection <ul style="list-style-type: none"> ■ Temperature ■ NO3 ■ NO3-N |
| Ultrasonic interface | Selection Interface |
| SAC | Selection <ul style="list-style-type: none"> ■ Temperature ■ SAC ■ Transm. ■ Absorption ■ COD ■ BOD |
| Controller 1 Current input 1 ... 3 | Selection <ul style="list-style-type: none"> ■ Bipolar (only for current outputs) ■ Unipolar+ ■ Unipolar- |
| Controller 2 Temperature 1 ... 3 | |
| Mathematical functions | All the mathematical functions can also be used as a data source and the calculated value can be used as the measured value. |



You can monitor the manipulated variable by assigning the controller manipulated variable to a limit switch (e. g. configure a dosing time alarm).

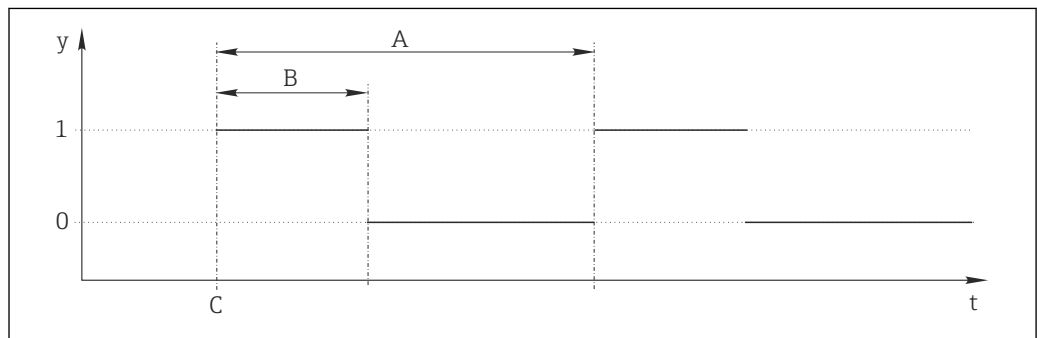
| Menu/Setup/Additional functions/Limit switches/Limit switch 1 ... 8 | | |
|---|--|---|
| Function | Options | Info |
| Cleaning program | Selection <ul style="list-style-type: none"> None Cleaning 1 ... 4 Factory setting None | Use this function to choose which cleaning instance should start when the limit switch is active. |
| Function | Selection <ul style="list-style-type: none"> Off On Factory setting Off | Activating/deactivating the limit switch |
| Operating mode | Selection <ul style="list-style-type: none"> Above limit check Below limit check In range check Out of range check Change rate Factory setting Above limit check | Type of limit value monitoring: <ul style="list-style-type: none"> Limit value overshoot or undershoot → 67 Measured value within or outside a range → 68 Rate of change → 70 |
| Limit value | Settings depend on the measured value | Operating mode = Above limit check or Below limit check |
| <div style="display: flex; justify-content: space-around;"> <div style="text-align: center;"> <p>(A)</p> </div> <div style="text-align: center;"> <p>(B)</p> </div> </div> <p style="text-align: right; font-size: small;">A0028523</p> <p> 67 Exceeding (A) and undershooting (B) a limit value (without hysteresis and switch-on delay)</p> <p>1 Limit value 2 Alarm range $t_{1,3,5}$ No action $t_{2,4}$ An event is generated</p> <ul style="list-style-type: none"> If measured values (MV) are increasing, the relay contact is closed when the switch-on point is exceeded (Limit value + Hysteresis) and the start delay (Start delay) has elapsed. If measured values are decreasing, the relay contact is reset when the switch-off point is undershot (Limit value - Hysteresis) and after the drop-out delay (Switch off delay). | | |

| Menu/Setup/Additional functions/Limit switches/Limit switch 1 ... 8 | | |
|--|---------------------------------------|--|
| Function | Options | Info |
| Range lower value | Settings depend on the measured value | Operating mode = Out of range check or In range check |
| Range upper value | | |
| <div style="display: flex; justify-content: space-around;"> <div style="text-align: center;"> <p>(A)</p> </div> <div style="text-align: center;"> <p>(B)</p> </div> </div> <p style="text-align: right; font-size: small;">A0028524</p> | | |
| <p>☑ 68 Range monitoring outside (A) and within (B) a range (without hysteresis and switch-on delay)</p> <p>1 End of range 2 Start of range 3 Alarm range t_{1-4} An event is generated</p> <ul style="list-style-type: none"> ▪ If measured values (MV) are increasing, the relay contact is closed when the switch-on point is exceeded (Range lower value + Hysteresis) and the start delay (Start delay) has elapsed. ▪ If measured values are decreasing, the relay contact is reset when the switch-off point is undershot (Range upper value - Hysteresis) and after the drop-out delay (Switch off delay). | | |
| Hysteresis | Settings depend on the measured value | <p>Operating mode ≠ Change rate</p> <p>The hysteresis is needed to ensure a stable switching behavior. The device software adds or subtracts the value set here to/from the limit value (Limit value, Range lower value or Range upper value). This results in double the Hysteresis value for the hysteresis range around the limit value. An event is then only generated if the measured value (MV) completely passes through the hysteresis range.</p> <p style="text-align: right; font-size: x-small;">A0028525</p> |
| <div style="text-align: center;"> </div> <p>☑ 69 Hysteresis taking the example of limit value overshoot</p> <p>1 Limit value 2 Alarm range 3 Hysteresis range $t_{1,2}$ An event is generated</p> | | |
| Start delay | 0 to 9999 s | Synonyms: pick-up and drop-out delay |
| Operating mode ≠ Change rate | Factory setting 0 s | |
| Switch off delay | | |
| Operating mode ≠ Change rate | | |

| Menu/Setup/Additional functions/Limit switches/Limit switch 1 ... 8 | | |
|---|---|--|
| Function | Options | Info |
| Delta value | Settings depend on the measured value | <p>Operating mode = Change rate</p> <p>The slope of the measured value (MV) is monitored in this mode.</p> <p>If, in the specified time frame (Delta time), the measured value increases or decreases by more than the specified value (Delta value), an event is generated. No further event is generated if the value continues to experience such a steep increase or decrease. If the slope is back below the limit value, the alarm status is reset after a preset time (Auto confirm).</p> <p>Events are triggered by the following conditions in the example given:</p> <p>$t_2 - t_1 < \text{Delta time}$ and $\Delta MV_1 > \text{Delta value}$</p> <p>$t_4 - t_3 > \text{Auto confirm}$ and $\Delta MV_2 < \text{Delta value}$</p> <p>$t_6 - t_5 < \text{Delta time}$ and $\Delta MV_3 > \text{Delta value}$</p> |
| Delta time | 00:00:01 ... 23:59:00 Factory setting 01:00:00 | |
| Auto confirm | 00:01 to 23:59 Factory setting 00:01 | |
| <p>A0028526</p> | | |
| <p>70 Rate of change</p> | | |

10.7.2 Time switch

A time switch provides a time-controlled, binary process value. This can be used as a source by the "Formula" mathematical function.



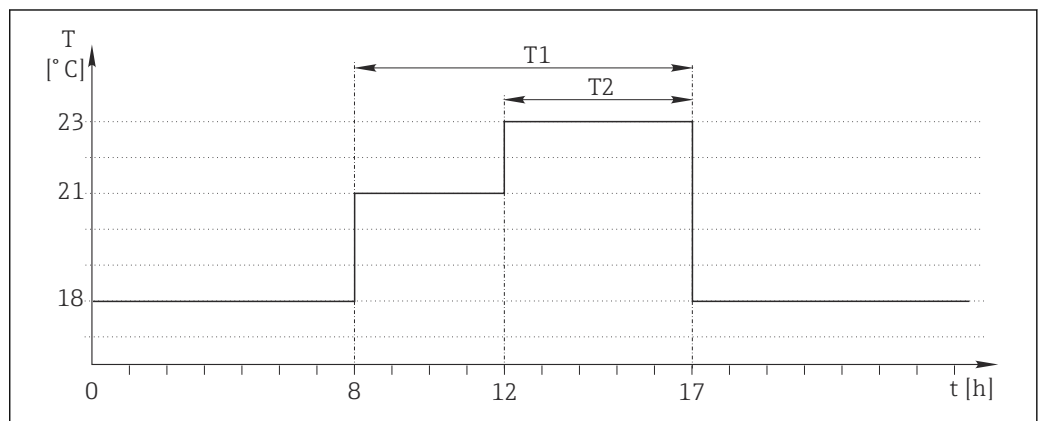
71 Signal pattern of a time switch

- t Timeline
- y Signal level (1 = on, 0 = off)
- A Period
- B Signal duration
- C Start time (Start date, Start time)

| Menu/Setup/Additional functions/Time switches/ Time switch 1 ... 8 | | |
|--|---|---|
| Function | Options | Info |
| Function | Selection <ul style="list-style-type: none"> ■ On ■ Off Factory setting Off | Switches the function on or off |
| Start date | 01.01.2000 to 31.12.2099 Format DD.MM.YYYY | ► Enter start date |
| Start time | 00:00:00 to 23:59:59 Format hh.mm.ss | ► Enter start time |
| Signal duration | 00:00:03 to 2400:00:00 Format hh.mm.ss | Duration of the high signal level at the start of a cycle |
| Period | 00:00:03 to 2400:00:00 Format hh.mm.ss | Duration of a cycle |
| Signal | Display only | Current process value of the time switch |
| Next signal date | Display only | Date of the next signal |
| Next signal time | Display only | Time of the next signal |

Example 1: Time-based set point for a temperature controller

The temperature should increase to 21 °C from 08:00 every day, and then to 23 °C for 5 hours from 12:00. The temperature should be controlled to fall back down to 18 °C from 17:00. Two time switches are defined for this purpose which are used in a **MF1: Formula** mathematical function. Using the mathematical function, an analog temperature set point is thus available for a controller.



A0041704

72 Time-based temperature control

1. Program **Time switch 1 (T1)**:

- **Start date** = 01.01.2020
- **Start time** = 08:00:00
- **Signal duration** = 09:00:00
- **Period** = 24:00:00

2. Define **Time switch 2 (T2)**:

- **Start date** = 01.01.2020
- **Start time** = 12:00:00
- **Signal duration** = 05:00:00
- **Period** = 24:00:00

3. Create **Formula** mathematical function.

Menu/Setup/Additional functions/Mathematical functions

- MF1: Formula
- **Tracking** = On
- **Source A** = **Time switch 1**
- **Source B** = **Time switch 2**
- **Formula** = $18.0 + 3 * \text{NUM}(A) + 2 * \text{NUM}(B)$

Explanation: NUM converts the logical value to a numerical value and thus enables multiplication.

- $3 * \text{NUM}(A)$ results in the value 3.0 from 08:00 to 17:00 and 0.0 outside of this time period.
- $2 * \text{NUM}(B)$ results in the value 2.0 from 12:00 to 17:00 and 0.0 outside of this time period.

The formula thus yields one of these analog values depending on the time: 18.0, 21.0 or 23.0. This analog value can be used as a set point for a temperature controller.

Example 2: Time-based condition

A pump should switch on (via a relay) for 10 minutes every 2 hours. This only applies if the pH value is lower than 4.0.

1. Program **Time switch 1**:

- **Start date** = 01.01.2020
- **Start time** = 00:00:00
- **Signal duration** = 00:10:00
- **Period** = 02:00:00

2. Create **Formula** mathematical function.

Menu/Setup/Additional functions/Mathematical functions

- MF1: Formula
- **Tracking** = On
- **Source A** = **Time switch 1**
- **Source B** = pH value of a Memosens pH input
- **Formula** = $A \text{ AND}(B < 4.0)$

3. Use the formula as the data source of a relay.

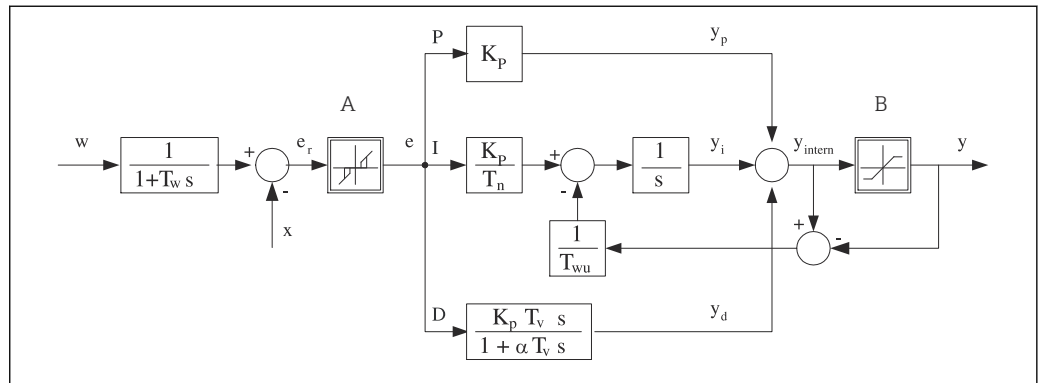
Menu/Setup/Outputs/Relay[x:y]

- **Function** = **Formula**
- **Operating mode** = **Static signal**
- **Source of data** = **MF1: Formula**

The formula yields a logical value (TRUE or FALSE) and is thus suitable to trigger a relay directly in the static operating mode. **Time switch 1** provides a TRUE value for 10 minutes every 2 hours but only if the pH value has dropped to below 4 at the same time.

10.7.3 Controller

Controller structure in Laplace representation



73 Block diagram of the controller structure

| | | | |
|----------|--|--------|--|
| A | Neutral zone | I | Integral value |
| B | Output limiting | D | Derivative value |
| K_p | Gain (P-value) | aT_v | Damping time constant with $\alpha = 0$ to 1 |
| T_n | Integral action time (I-value) | e | Control deviation |
| T_v | Derivative action time (D-value) | w | Set point |
| T_w | Time constant for set point damping | x | Controlled variable |
| T_{wu} | Time constant for anti-windup feedback | y | Manipulated variable |
| P | Proportional value | | |

The controller structure of the device comprises set point damping at the input to prevent erratic changes in the manipulated variable if the set point changes. The difference between the set point w and the controlled variable (measured value) X results in the control deviation which is filtered by a neutral zone.

The neutral zone is used to suppress control deviations (e) that are too small. The control deviation thus filtered is now fed to the actual PID controller which divides into 3 parts based on the P (proportional), I (integral) and D (derivative) values (top-down). The integral section (middle) also comprises an anti-windup mechanism for limiting the integrator. A low-pass filter is added to the D-section to damp hard D-terms in the manipulated variable. The sum of the 3 sections results in the internal controller manipulated variable which is limited according to the settings (for PID-2s to -100% to +100%).

The graphic does not illustrate a downstream filter for limiting the rate of change of the manipulated variable (can be configured in the menu in **Max y change rate**).


i In the menu do not configure the gain K_p . Instead configure the reciprocal value, the proportional band X_p ($K_p=1/X_p$).

Parameter configuration

Make the following decisions to configure a controller:

- (1) What type of process can your process be assigned to? → **Process type**
- (2) Should it be possible to influence the measured variable (controlled variable) in one direction or in both directions? One-sided or two-sided controller, → **Controller type**
- (3) What should be the controlled variable (sensor, measured value)? → **Controlled variable**
- (4) Do you have a disturbance variable that should be active at the controller output? → **Disturbance variable**

- (5) Specify the parameters for the controller:
 - Set point, → **Setpoint**
 - Neutral zone, → **Xn**
 - Proportional band, → **Xp**
 - Integral action time (I-value), → **Tn**
 - Derivative action time (D-value), → **Tv**
- (6) What should the controller do in the event of a hold (measured error, sensor replacement, cleaning etc.)?
 - Pause or continue with dosing? → **Hold behavior/Manipulated Variable**
 - At the end of a hold, continue or restart the control loop (affects I-value)? → **Hold behavior/State**
- (7) How should the actuator be triggered?
 - **Unipolar+**: assign this setting to the output for an actuator which can increase the measured value.
 - **Unipolar-**: assign this setting to the output for an actuator which can decrease the measured value.
 - **Bipolar**: select this setting if you want to output the manipulated variable via one current output only (split range).
- (8) Configure the outputs and switch on the controller.

| Menu/Setup/Additional functions/Controller 1 ... 2 | | |
|--|---|---|
| Function | Options | Info |
| Control | Selection <ul style="list-style-type: none"> ■ Off ■ Automatic ■ Manual mode Factory setting Off | ► First configure the controller and leave the switch at the factory setting (Off). Once you have made all the settings, you can assign the controller to an output and switch it on. |
| ► Manual mode | | |
| y | -100 to 100 % Factory setting 0 % | ► Specify the manipulated variable that should be output in manual mode. |
| y actual output | Read only | Manipulated variable actually output. |
| Setpoint | | Current set point |
| x | | Current measured value |
| Disturbance variable | | Current measured value of disturbance variable |
| Norm. disturb. value | | |
| Name | Free text | ► Give the controller a name so you can identify it later on. |
| Controller enable | Selection <ul style="list-style-type: none"> ■ None ■ Binary inputs ■ Limit switches ■ Fieldbus variables Factory setting None | In connection with the DIO module, you can select a binary input signal, e. g. from an inductive proximity switch, as a source for enabling the controller. |
| Setup Level | Selection <ul style="list-style-type: none"> ■ Standard ■ Advanced Factory setting Standard | Changes the number of parameters that can be configured. → Parameters →  104 Standard: If you choose this, the other controller parameters are active nevertheless. The factory settings are used. These suffice in most cases. |

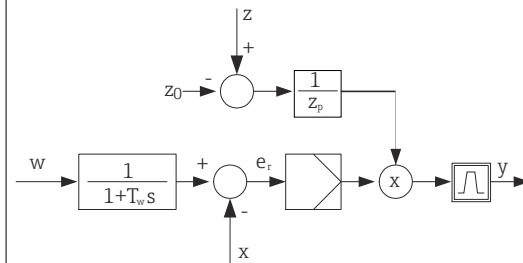
| Menu/Setup/Additional functions/Controller 1 ... 2 | | |
|---|--|---|
| Function | Options | Info |
| Process type | <p>Selection</p> <ul style="list-style-type: none"> ▪ Inline ▪ Batch <p>Factory setting Inline</p> | <p>► Decide what type of process best describes your particular process.</p> |
| <p>Batch process The medium is in a closed system. The task of the control system is to dose in such a way that the measured value (controlled variable) changes from its start value to its target value. No more dosing is needed once the set point has been reached and the system is stable. If the target value is overshoot, a two-sided control system can compensate for this. In the case of 2-sided batch control systems, a neutral zone is used/configured to suppress oscillations around the set point.</p> <p>In-line process In an in-line process, the control system works with the medium flowing by in the process. Here, the controller has the task of using the manipulated variable to set a mixture ratio between the medium and dosing agent such that the resulting measured variable corresponds to the set point. The properties and volume of the medium flow can change at any time and the controller has to react to these changes on a continuous basis. If the flow rate and medium remain constant, the manipulated variable can also assume a fixed value once the process has settled. Since the control process is never "finished" here, this type of control is also referred to as continuous control.</p> <p>i A mixture of both process types can often be found in practice: the semi-batch process. Depending on the ratio between the flow and the container volume, this arrangement behaves either like a batch process or an in-line process.</p> | | |
| Controller type | <p>Selection</p> <ul style="list-style-type: none"> ▪ PID 1-sided ▪ PID 2-sided <p>Factory setting PID 2-sided</p> | <p>Depending on which actuator you have connected, you influence the process in only one direction (e.g. heating) or in both directions (e.g. heating and cooling).</p> |
| <p>A 2-sided controller can output a manipulated variable in the range from -100 % to +100 %, i. e. the manipulated variable is bipolar. The manipulated variable is positive if the controller should increase the process value. In the case of a pure P-controller, this means that the value of the controlled variable x is smaller than the set point w. On the other hand, the manipulated variable is negative if the process value should be decreased. The value for x is greater than the set point w.</p> | | |
| <p>i 74 Relationship $y = (w-x)/X_p$</p> | | |

| Menu/Setup/Additional functions/Controller 1 ... 2 | | |
|--|--|---|
| Function | Options | Info |
| Effective direction Controller type = PID 1-sided | Selection <ul style="list-style-type: none"> ■ Direct ■ Reverse Factory setting Reverse | In what direction should the controller influence the measured value? <ul style="list-style-type: none"> ■ The measured value should increase as a result of dosing (e. g. heating) → Reverse ■ The measured value should decrease as a result of dosing (e. g. cooling) → Direct |
| <p>A 1-sided controller has a unipolar manipulated variable, i. e. it can only influence the process in one direction. Reverse: If the controller should increase the process value, set this as the direction of action. The controller becomes active when the process value is too small (range A). Direct: With this direction of action, the controller acts as a "downwards controller". It becomes active when the process value (e. g. the temperature) is too high (range B).</p> | | |
| | | |
| <p> 75 Red: overlap between the curves of the two 1-sided controllers.</p> | | |
| ▶ Controlled variable | | |
| Source of data | Selection <ul style="list-style-type: none"> ■ None ■ Sensor inputs ■ Current inputs ■ Fieldbus signals ■ Binary inputs ■ Mathematical functions Factory setting None | ▶ Specify the input or output which should be the source of data for the controlled variable. |
| Measured value | Selection Depends on Source of data Factory setting None | ▶ Specify the measured value that should be your controlled variable. You can use different measured values depending on the data source. |
| ▶ Setpoint | | Target value of the controlled variable This menu is not displayed if you selected a fieldbus as the source (Source of data = fieldbus). |
| Setpoint | Range of adjustment and factory setting depending on the Source of data | ▶ Specify the target value for the controlled variable. |
| Tw Setup Level = Advanced | 0.0 to 999.9 s Factory setting 2.0 s | Time constant for the set point damping filter |
| ▶ Disturbance variable | | optional, activation code necessary |

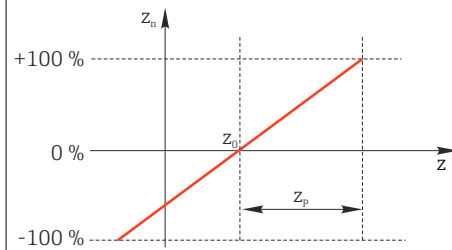
Menu/Setup/Additional functions/Controller 1 ... 2

| Function | Options | Info |
|----------|---------|------|
|----------|---------|------|

In the case of "flowing medium" (in-line) controls, the flow rate may not be constant. In some circumstances, strong fluctuations are possible. In the case of a settled control system in which the flow rate is suddenly halved, it is desirable that the dosed quantity from the controller is also directly halved. In order to achieve this type of "flow-rate-proportional" dosing, this task is not left to the I-component of the controller, but rather one enters the (to be measured) flow rate as disturbance variable z multiplicative at the controller output.



Strictly speaking, feedforward control involves an open-loop control system, since its effect is not measured directly. That means that the feed flow is directed exclusively forward. Hence the designation "feedforward control".
 For the additive feedforward control that is alternatively available in the device, the (standardized) disturbance variable is added to the controller manipulated variable. This enables you to set up a type of variable base load dosing.
 The standardization of the disturbance variable is required both for multiplicative and for additive feedforward control and is done using parameters Z_0 (zero point) and Z_p (proportional band): $z_n = (z - z_0)/Z_p$



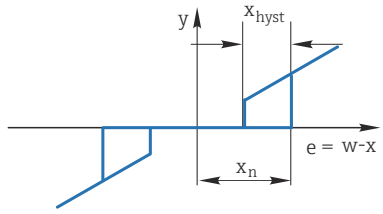
Example

Flowmeter with measuring range 0 to 200 m³/h
 The controller would currently dose 100% without feedforward control.
 The feedforward control should be configured such that at $z = 200\text{m}^3/\text{h}$, the controller still doses at 100% ($z_n = 1$).
 If the flow rate drops, the dosing rate should be reduced, and at a flow rate of less than 4 m³/h, dosing should stop entirely ($z_n = 0$).
 → Select the zero point $z_0 = 4\text{ m}^3/\text{h}$ and the proportional band $Z_p = 196\text{ m}^3/\text{h}$.

| | | |
|----------------|---|--|
| Function | Selection <ul style="list-style-type: none"> ▪ Off ▪ Multiply ▪ Add Factory setting Off | Selecting multiplicative or additive feedforward control |
| Source of data | Selection <ul style="list-style-type: none"> ▪ None ▪ Sensor inputs ▪ Current inputs ▪ Fieldbus signals ▪ Binary inputs ▪ Mathematical functions Factory setting None | <ul style="list-style-type: none"> ▶ Specify the input which should be the source of data for the disturbance variable. |

| Menu/Setup/Additional functions/Controller 1 ... 2 | | |
|--|--|---|
| Function | Options | Info |
| Measured value | Selection Depends on Source of data Factory setting None | ► Specify the measured value that should be your disturbance variable. You can use different measured values depending on the data source. |
| Zp | Range of adjustment depending on the selection of the measured value | Proportional band --> |
| Z0 | | Zero point |
| ► Parameters The Liquiline PID controller has been implemented in the serial structural form, i. e. it has the following parameters: <ul style="list-style-type: none"> ▪ Integral action time T_n ▪ Derivative action time T_v ▪ Proportional band X_p Setup Level = Advanced: With this setup level, you can also configure the following: <ul style="list-style-type: none"> ▪ Time constant T_{wu} ▪ Time constant α ▪ Width of the neutral zone X_n ▪ Width of the hysteresis range of the neutral zone X_{hyst} ▪ Clock time of the controller | | |
| T_n | 0.0 to 9999.0 s Factory setting 0.0 s | The integral action time specifies the effect of the I-value If $T_n > 0$ the following applies: $Clock < T_{wu} < 0.5(T_n + T_v)$ |
| The integral action time is the time needed in a step-function response to achieve a change in the manipulated variable - as a result of the I effect - which has the same magnitude as the P-value. | | |
| <p>$e = \text{control deviation, } e = w - x \text{ (set point controlled variable)}$</p> | | |

| Menu/Setup/Additional functions/Controller 1 ... 2 | | |
|---|---|---|
| Function | Options | Info |
| Twu | 0.1 to 999.9 s Factory setting 20.0 s | Time constant for anti-windup feedback The lower the value the greater the integrator inhibition. Exercise extreme caution when making changes. Clock < Twu < 0.5(Tn + Tv) |
| Tv | 0.1 to 999.9 s Factory setting 0.0 s | The derivative action time specifies the effect of the D-value |
| <p>The derivative action time is the time by which the ramp response of a PD controller reaches a specific value of the manipulated variable at an earlier stage than it would solely as a result of its P-value.</p> | | |
| alpha | 0.0 to 1.0 Factory setting 0.3 | Affects the additional damping filter of the D-controller. The time constant is calculated from $\alpha \cdot T_v$. |
| Process balance Controller type = PID 2-sided | Selection <ul style="list-style-type: none"> ■ Symmetric ■ Asymmetric Factory setting Symmetric | Symmetric There is only one control gain and this applies for both sides of the process. Asymmetric You can set the control gain individually for both sides of the process. |
| Xp Process balance = Symmetric | Range of adjustment and factory setting depending on the Source of data | Proportional band, reciprocal value of the proportional gain K_p As soon as controlled variable x deviates more than x_p from the set point w, manipulated variable y reaches 100%. |
| Xp Low Process balance = Asymmetric | Range of adjustment and factory setting depending on the Source of data | x_p for $y < 0$ (manipulated variable < 0) |
| Xp High Process balance = Asymmetric | | x_p for $y > 0$ (manipulated variable > 0) |
| Xn | Range of adjustment and factory setting depending on the Source of data | Tolerance range about the set point that prevents minor oscillations about the set point if using two-sided control loops. |
| XN Low Process balance = Asymmetric | Range of adjustment and factory setting depending on the Source of data | x_n for $x < w$ (controlled variable < set point) |
| XN High Process balance = Asymmetric | | x_n for $x > w$ (controlled variable > set point) |

| Menu/Setup/Additional functions/Controller 1 ... 2 | | |
|--|--|---|
| Function | Options | Info |
| XHyst | 0.0 to 99.9 % Factory setting 0.0 % | Width of the hysteresis range of the neutral zone, relative component of x_n |
|  <p>The graphic illustrates the manipulated variable (with a pure P-controller) over the control deviation e (set point minus controlled variable). Very low control deviations are set to zero. Control deviations $> x_n$ are processed "in the normal way". Via x_{hyst} it is possible to configure a hysteresis to suppress oscillations at the edges.</p> | | |
| Clock | 0.333 to 100.000 s Factory setting 1.000 s | Expert setting Only change the clock time of the controller if you know exactly what you are doing. Clock < Twu < 0.5(Tn + Tv) |
| Max y change rate | 0.00 to 1.00 Factory setting 0.40 | Limits the change of the output variable A value of 0.5 permits a maximum manipulated variable change of 50 % within one second. |
| ► Exception behavior | | Hold=measured value is no longer reliable |
| Manipulated Variable | Selection <ul style="list-style-type: none"> ▪ Freeze ▪ Fixed value Factory setting Freeze | How should the controller react to a measured value that is no longer reliable? Freeze The manipulated variable is frozen at the current value Fixed value Manipulated variable is set to 0 (no dosing) |
| State | Selection <ul style="list-style-type: none"> ▪ Freeze ▪ Reset Factory setting Freeze | Internal controller status Freeze No change Reset After a hold, the control system starts from scratch, and settling time takes place again. |
| Hold as exception | Selection <ul style="list-style-type: none"> ▪ All ▪ None Factory setting All | ► Select: Should the hold trigger the previously selected exception behaviour, or should it be ignored? |
| ► Outputs | | Goes to the menu Outputs |
| ► Controller assignment view | | Shows an overview of the inputs and outputs used |

10.7.4 Cleaning programs for sensors

⚠ CAUTION

Programs not switched off during maintenance activities.

Risk of injury due to medium or cleaning agent!

- Quit any programs that are active.
- Switch to the service mode.
- If testing the cleaning function while cleaning is in progress, wear protective clothing, goggles and gloves or take other suitable measures to protect yourself.

Types of cleaning

The user can choose from the following cleaning types:

- Standard clean
- Chemoclean
- Chemoclean Plus

i **State of cleaning:** Indicates whether the cleaning program is active or not. This is for information purposes only.

Selecting the cleaning type

1. **Menu/Setup/Additional functions/Cleaning:** Select a cleaning program.
 - ↳ You can configure 4 different types of cleaning which you can assign individually to the inputs.
2. **Cleaning type:** For each cleaning program decide which type of cleaning should be performed.

Standard cleaning

Standard cleaning involves cleaning a sensor with compressed air as performed with the ion-selective sensor CAS40D (connection of cleaning unit for CAS40D) or rinsing with water, for example.

| Menu/Setup/Additional functions/Cleaning/Cleaning 1 ... 4/Standard clean | | |
|--|--|---|
| Function | Options | Info |
| Cleaning time | 5 to 600 s Factory setting 10 s | Cleaning duration The cleaning duration and interval are dependent on the process and sensor. ▶ Determine the variables empirically or based on experience. |

▶ Define the cleaning cycle → 110.

Chemoclean

One example is the use of the CYR10B injector unit for cleaning sensors, e.g. with CYA112 (CYR10B → 32 connection).

| Menu/Setup/Additional functions/Cleaning/Cleaning 1 ... 4/Chemoclean | | |
|--|---|---|
| Function | Options | Info |
| Cleaning time | 0 to 900 s Factory setting 5 s | Cleaning duration |
| Prerinse time | 0 to 900 s | The cleaning duration, pre-rinse and post-rinse times and the interval are dependent on the process and sensor. Determine the variables empirically or based on experience. |
| Postrinse time | Factory setting 0 s | |

Chemoclean Plus

One example is the use of the CYR10B injector unit in conjunction with Cleanfit Control CYC25 for automated cleaning of 12 mm sensors in pneumatic retractable assemblies (CYC25 connection, see CYC25 Operating Instructions: BA01436C).

| Menu/Setup/Additional functions/Cleaning/Cleaning 1 ... 4/Chemoclean Plus/Chemoclean Plus setup | | | |
|---|--|---|----------------|
| Function | Options | Info | |
| Cleaning steps setup | Table to create a time program | You define a maximum of 30 program steps which are to be performed one after the other. For each step, enter the duration [s] and the state (0 = "off", 1 = "on") of each relay or output. You can specify the number and name of the outputs further down in the menu. See below for an example of programming. | |
| | | Querying the switch status of the limit position switch in the limit switch column: When used with CYC25 with a retractable assembly connected, the following signal table applies: | |
| | | CPA871/CPA875 | |
| | | Service | ES1 1 ES2 1 |
| | | Measuring | ES1 0 ES2 0 |
| | | CPA472D/CPA473/CPA474 | |
| Service | ES1 1 ES2 0 | | |
| Measuring | ES1 0 ES2 1 | | |
| Failsafe step setup | Table view | ► In the table specify the states that the relays or outputs should assume in the event of an error. | |
| Limit contacts | 0 to 2 | ► Select the number of digital input signals (e.g. from limit position switches of the retractable assembly). For querying the limit position switches of a retractable assembly, select 2. | |
| Limit contact 1 ... 2 | Selection <ul style="list-style-type: none"> ▪ Binary inputs ▪ Fieldbus signals | ► Define the signal source for each limit position switch. When used with CYC25 with a retractable assembly connected: <ul style="list-style-type: none"> ▪ Limit contact 1= DI x:1 (Service) ▪ Limit contact 2= DI x:2 (Measuring) | |
| Outputs | 0 to 4 | ► Select the number of outputs that actuators, such as valves or pumps, should activate. | |
| Output label 1 ... 4 | User-defined text | You can assign a meaningful name to each output, e.g. "assembly", "cleaner 1", "cleaner 2", etc. When used with CYC25: <ul style="list-style-type: none"> ▪ Output 1 = assembly (4/2-way pilot valve) ▪ Output 2 = water (relay, e.g. CYR10B) ▪ Output 3 = cleaner (relay, e.g. CYR10B) ▪ Output 4 = optional valve (CYC25-AA relay or CYC25-AB 3/2-way pilot valve) | |

The pneumatic retractable assembly, e.g. CPA87x, is activated by compressed air via a two-way valve. As a result, the assembly assumes either the "Measuring" position (sensor in medium) or the "Service" position (sensor in rinse chamber). Media such as water or

cleaning agents are supplied via valves or pumps. Here there are two states: 0 (= "off" or "closed") and 1 (= "on" or "open").

Programming example: Regular cleaning with water and two cleaning agents

| Step | Limit switch | Duration [s] | Assembly CPA87x | Water | Cleaner 1 | Cleaner 2 |
|------|--------------|--------------|-----------------|-------|-----------|-----------|
| 1 | ES1 1 | 5 | 1 | 1 | 0 | 0 |
| 2 | ES2 1 | 5 | 1 | 1 | 0 | 0 |
| 3 | 0 | 30 | 1 | 1 | 0 | 0 |
| 4 | 0 | 5 | 1 | 1 | 1 | 0 |
| 5 | 0 | 60 | 1 | 0 | 0 | 0 |
| 6 | 0 | 30 | 1 | 1 | 0 | 0 |
| 7 | 0 | 5 | 1 | 1 | 0 | 1 |
| 8 | 0 | 60 | 1 | 0 | 0 | 0 |
| 9 | 0 | 30 | 1 | 1 | 0 | 0 |
| 10 | ES1 0 | 5 | 0 | 1 | 0 | 0 |
| 11 | ES2 0 | 5 | 0 | 1 | 0 | 0 |
| 12 | 0 | 5 | 0 | 0 | 0 | 0 |

Programming example: Regular cleaning with water, one cleaning agent and additional valve on the rinse chamber outlet of the assembly (seal water)

| Step | Limit switch | Duration [s] | Assembly CPA87x | Water | Cleaner | Valve |
|------|--------------|--------------|-----------------|-------|---------|-------|
| 1 | 0 | 5 | 0 | 1 | 0 | 0 |
| 2 | ES1 1 | 5 | 1 | 1 | 0 | 0 |
| 3 | ES2 0 | 5 | 1 | 1 | 0 | 1 |
| 4 | 0 | 30 | 1 | 1 | 0 | 1 |
| 5 | 0 | 5 | 1 | 1 | 1 | 0 |
| 6 | 0 | 60 | 1 | 0 | 0 | 1 |
| 7 | 0 | 30 | 1 | 1 | 0 | 0 |
| 8 | ES1 0 | 5 | 0 | 1 | 0 | 0 |
| 9 | ES2 1 | 5 | 0 | 1 | 0 | 0 |
| 10 | 0 | 5 | 0 | 0 | 0 | 0 |

Defining the cleaning cycle

| Menu/Setup/Additional functions/Cleaning/Cleaning 1 ... 4 | | |
|---|---|--|
| Function | Options | Info |
| Cleaning cycle | Selection <ul style="list-style-type: none"> ▪ Off ▪ Interval ▪ Weekly program Factory setting Weekly program | <ul style="list-style-type: none"> ▶ Choose from a cleaning routine that is restarted at set intervals and a user-definable weekly program. |
| Cleaning interval Cleaning cycle = Interval | 0-00:01 to 07-00:00 (D-hh:mm) Factory setting 1-00:00 | The interval value can be between 1 minute and 7 days. Example: You have set the value "1-00:00". Each day, the cleaning cycle starts at the same time you started the first cleaning cycle. |
| Daily event times Cleaning cycle = Weekly program | 00:00 to 23:59 (HH:MM) | <ol style="list-style-type: none"> 1. Define up to 6 times (Event time 1 ... 6). <ul style="list-style-type: none"> ↳ You can then choose from these for each day of the week. |
| Weekdays Cleaning cycle = Weekly program | Selection Monday ... Sunday | <ol style="list-style-type: none"> 2. Choose individually for each day of the week which of the 6 times should be used for a cleaning routine on this particular day. <p>This allows you to create weekly programs that are perfectly adapted to suit your process.</p> |

Other settings and manual cleaning

| Menu/Setup/Additional functions/Cleaning/Cleaning 1 ... 4 | | |
|---|---|---|
| Function | Options | Info |
| Start signal | Selection <ul style="list-style-type: none"> ■ None ■ Fieldbus signals ■ Signals of digital or analog inputs Factory setting None | In addition to cyclic cleaning, you can also use an input signal to start event-controlled cleaning. <ul style="list-style-type: none"> ▶ Choose the trigger for such a cleaning process here. Interval and weekly programs are executed as normal, which means that conflicts can arise. Priority is given to the cleaning program that was the first to be started. |
| Hold | Selection <ul style="list-style-type: none"> ■ Off ■ On Factory setting On | <ul style="list-style-type: none"> ▶ Decide whether there should be a hold during the cleaning process. This hold affects the inputs to which this cleaning process is assigned. Activate the cleaning hold in the advanced setup for the sensor. |
| Start cyclic | Action | Activates the cyclical cleaning as set. Only visible if Interval is selected under Cleaning cycle . |
| ▷ Start single | Action | Starts an individual cleaning process with the selected parameters. If cyclical cleaning is enabled, there are times in which it is not possible to manually start the process. |
| ▷ Stop or Stop failsafe | Action | Ends the cleaning process (cyclical or manual) Only visible if the program is running or if Failsafe has happened. |
| ▶ Outputs | | Switch to the Outputs menu Assignment of the relay with Chemoclean Plus : <ul style="list-style-type: none"> ■ Relay x:1 - Cleaning x - Out1 or as assigned in setup for Chemoclean Plus. ■ Relay x:2 - Cleaning x - Out2 or as assigned in setup for Chemoclean Plus. ■ Relay x:3 - Cleaning x - Out3 or as assigned in setup for Chemoclean Plus. ■ Relay x:4 - Cleaning x - Out4 or as assigned in setup for Chemoclean Plus. |
| ▶ Cleaning program assignment view | | Shows an overview of the assignment of inputs and outputs in the cleaning program. |

10.7.5 Mathematical functions

In addition to "real" process values, which are provided by connected physical sensors or analog inputs, mathematical functions can be used to calculate a maximum of 8 "virtual" process values.

The "virtual" process values can be:

- Output via a current output or a fieldbus
- Used as a controlled variable
- Assigned as a measured variable to a limit switch
- Used as a measured variable to trigger cleaning
- Displayed in user-defined measuring menus

Difference

You can subtract the measured values of two sensors and use the result to detect incorrect measurements, for example.

To calculate a difference, you must use two measured values with the same engineering unit.

| Menu/Setup/Additional functions/Mathematical functions/MF1 to 8/Mode = Difference | | |
|---|--|--|
| Function | Options | Info |
| Calculation | Selection <ul style="list-style-type: none"> ▪ Off ▪ On Factory setting Off | On/off switch for the function |
| Y1 | The options depend on the sensors connected | Select the sensors and measured variables that should function as the minuend (Y1) or subtrahend (Y2). |
| Measured value | | |
| Y2 | | |
| Measured value | | |
| Difference value | Read only | View this value in a user-defined measuring screen or output the value via the current output. |
| ► Mathematical function assignment view | | Overview of the configured functions |

Redundancy

Use this function to monitor two or three sensors with redundant measurements. The arithmetic average of the two closest measured values is calculated and output as the redundancy value.

| Menu/Setup/Additional functions/Mathematical functions/MF1 to 8/Mode = Redundancy | | |
|---|--|---|
| Function | Options | Info |
| Calculation | Selection <ul style="list-style-type: none"> ▪ Off ▪ On Factory setting Off | On/off switch for the function |
| Y1 | The options depend on the sensors connected | You can select a maximum of 3 different types of sensor that output the same measured value. Example for temperature redundancy You have a pH sensor and an oxygen sensor at inputs 1 and 2. Select the pH sensor as Y1 and the oxygen sensor as Y2 . Measured value: Select Temperature in each case. |
| Measured value | | |
| Y2 | | |
| Measured value | | |
| Y3 (optional) | | |
| Measured value | | |
| Deviation control | Selection <ul style="list-style-type: none"> ▪ Off ▪ On Factory setting Off | You can monitor the redundancy. Specify an absolute limit value that must not be exceeded. |
| Deviation limit | Depends on the selected measured value | |
| Redundancy | Read only | View this value in a user-defined measuring screen or output the value via the current output. |
| ► Mathematical function assignment view | | Overview of the configured functions |

rH value

To calculate the rH value, a pH sensor and an ORP sensor must be connected. It is irrelevant whether you are using a pH glass sensor, an ISFET sensor or the pH electrode of an ISE sensor.

Instead of the mathematical functions, you can also connect a combined pH/ORP sensor.

- ▶ Set the main measured value simply to rH.

| Menu/Setup/Additional functions/Mathematical functions/MF1 to 8/Mode = rH calculation | | |
|---|--|---|
| Function | Options | Info |
| Calculation | Selection <ul style="list-style-type: none"> ▪ Off ▪ On Factory setting Off | On/off switch for the function |
| pH source | Connected pH sensor | Set the input for the pH sensor and the input for the ORP sensor. Measured value querying is obsolete – you must select pH or ORP mV. |
| ORP source | Connected ORP sensor | |
| Calculated rH | Read only | View this value in a user-defined measuring screen or output the value via the current output. |
| ▶ Mathematical function assignment view | | Overview of the configured functions |

Degassed conductivity

Carbon dioxide from the air can be a contributing factor to the conductivity of a medium. The degassed conductivity is the conductivity of the medium excluding the conductivity caused by carbon dioxide.

Advantages of using degassed conductivity taking the example of a power station:

- The conductivity caused by corrosion products or contamination in the feed water is determined as soon as the turbines are started. The system excludes the initially high conductivity values resulting from the ingress of air.
- If carbon dioxide is regarded as non-corrosive, the live steam can be directed to the turbine far earlier during startup.
- If the conductivity value increases during normal operation, it is possible to immediately determine an ingress of coolant or air by calculating the degassed conductivity.

| Menu/Setup/Additional functions/Mathematical functions/MF1 to 8/Mode = Degassed conductivity | | |
|--|--|---|
| Function | Options | Info |
| Calculation | Selection <ul style="list-style-type: none"> ▪ Off ▪ On Factory setting Off | On/off switch for the function |
| Cation conductivity | Connected conductivity sensor | Cation conductivity represents the sensor downstream from the cation exchanger and upstream from the "degassing module", Degassed conductivity represents the sensor at the outlet of the degassing module. Measured value querying is obsolete – you can only select conductivity. |
| Degassed conductivity | Connected conductivity sensor | |
| CO2 concentration | Read only | View this value in a user-defined measuring screen or output the value via the current output. |
| ▶ Mathematical function assignment view | | Overview of the configured functions |

Dual conductivity

You can subtract two conductivity values and use the result to monitor the efficiency of an ion exchanger, for example.

| Menu/Setup/Additional functions/Mathematical functions/MF1 to 8/Mode = Dual conductivity | | |
|--|---|---|
| Function | Options | Info |
| Calculation | Selection <ul style="list-style-type: none"> ■ Off ■ On Factory setting Off | On/off switch for the function |
| Inlet | The options depend on the sensors connected | Select the sensors that should act as the minuend (Inlet , e.g. sensor upstream of the ion exchanger) or subtrahend (Outlet , e.g. sensor downstream of the ion exchanger). |
| Measured value | | |
| Outlet | | |
| Measured value | | |
| Main value format | Selection <ul style="list-style-type: none"> ■ Auto ■ # ■ #.# ■ #.## ■ #.### Factory setting Auto | Specify the number of decimal places. |
| Cond. unit | Selection <ul style="list-style-type: none"> ■ Auto ■ $\mu\text{S}/\text{cm}$ ■ mS/cm ■ S/cm ■ $\mu\text{S}/\text{m}$ ■ mS/m ■ S/m Factory setting Auto | |
| Dual conductivity | Read only | View this value in a user-defined measuring screen or output the value via the current output. |
| ► Mathematical function assignment view | | Overview of the configured functions |

Calculated pH value

The pH value can be calculated from the measured values of two conductivity sensors under certain conditions. Areas of application include power stations, steam generators and boiler feedwater.

| Menu/Setup/Additional functions/Mathematical functions/MF1 to 8/Mode = pH calculation from conductivity | | |
|---|--|--|
| Function | Options | Info |
| Calculation | Selection <ul style="list-style-type: none"> ▪ Off ▪ On Factory setting Off | On/off switch for the function |
| Method | Selection <ul style="list-style-type: none"> ▪ NaOH ▪ NH₃ ▪ LiOH Factory setting NaOH | The calculation is performed on the basis of Guideline VGB-R-450L of the Technical Association of Large Power Plant Operators (Verband der Großkesselbetreiber, (VGB)). NaOH $\text{pH} = 11 + \log \left\{ \frac{\kappa_v - 1/3 \kappa_h}{273} \right\}$ NH₃ $\text{pH} = 11 + \log \left\{ \frac{\kappa_v - 1/3 \kappa_h}{243} \right\}$ LiOH $\text{pH} = 11 + \log \left\{ \frac{\kappa_v - 1/3 \kappa_h}{228} \right\}$ κ_v ... Inlet ... direct conductivity κ_h ... Outlet ... acid conductivity |
| Inlet | The options depend on the sensors connected | Inlet Sensor upstream from the cation exchanger, "direct conductivity" |
| Measured value | | |
| Outlet | | Outlet Sensor downstream from the cation exchanger, "acid conductivity" |
| Measured value | | Selection of the measured value is obsolete as it must always be Conductivity . |
| Calculated pH | Read only | View this value in a user-defined measuring screen or output the value via the current output. |
| ► Mathematical function assignment view | | Overview of the configured functions |

Combined chlorine


This function calculates the concentration of combined chlorine in the medium. This calculation involves subtracting the free chlorine concentration from the total chlorine

concentration. This requires both a sensor for free chlorine CCS51E and a sensor for total chlorine CCS53E.

| Menu/Setup/Additional functions/Mathematical functions/MF1 to 8/Mode /Combined chlorine | | |
|---|---|---------------------------------------|
| Function | Options | Info |
| Calculation | Selection <ul style="list-style-type: none"> ■ Off ■ On Factory setting Off | On/off switch for the function |
| Free chlorine | Selection Channels to which a sensor for free chlorine is connected Factory setting --- | |
| Total chlorine | Selection Channels to which a sensor for total chlorine is connected Factory setting --- | |
| Unit | Selection <ul style="list-style-type: none"> ■ mg/l ■ µg/l ■ ppm ■ ppb Factory setting mg/l | |
| Format | Selection <ul style="list-style-type: none"> ■ #.### ■ #.## ■ #.# ■ # Factory setting #.### | Specify the number of decimal places. |
| Combined chlorine | Read only | Current, calculated value |
| ► Mathematical function assignment view | | Overview of the configured functions |

Formula (optional, with activation code)

With the formula editor, it is possible to calculate a new value from a maximum of 3 measured values. A wide range of mathematical and logical (Boolean) operations are available for this purpose.

 The Liquiline firmware offers you a powerful mathematics tool with the formula editor. You are responsible for the feasibility of your formula, and therefore for the feasibility of the result.

| Symbol | Operation | Type of operands | Type of result | Example |
|--------|----------------|------------------|----------------|---------|
| + | Addition | Numerical | Numerical | A+2 |
| - | Subtraction | Numerical | Numerical | 100-B |
| * | Multiplication | Numerical | Numerical | A*C |
| / | Division | Numerical | Numerical | B/100 |
| ^ | Power | Numerical | Numerical | A^5 |
| ² | Square | Numerical | Numerical | A² |

| Symbol | Operation | Type of operands | Type of result | Example |
|--------------|-------------------------------------|------------------|----------------|----------------|
| ³ | Cube | Numerical | Numerical | B ³ |
| SIN | Sine | Numerical | Numerical | SIN(A) |
| COS | Cosine | Numerical | Numerical | COS(B) |
| EXP | Exponential function e ^x | Numerical | Numerical | EXP(A) |
| LN | Natural logarithm | Numerical | Numerical | LN(B) |
| LOG | Decadic logarithm | Numerical | Numerical | LOG(A) |
| MAX | Maximum of two values | Numerical | Numerical | MAX(A,B) |
| MIN | Minimum of two values | Numerical | Numerical | MIN(20,B) |
| MOD | Division with remainder | Numerical | Numerical | MOD (10,3) |
| ABS | Absolute value | Numerical | Numerical | ABS(C) |
| NUM | Boolean → numerical conversion | Boolean | Numerical | NUM(A) |
| = | Equals | Boolean | Boolean | A=B |
| <> | Not equal to | Boolean | Boolean | A<>B |
| > | Greater than | Numerical | Boolean | B>5.6 |
| < | Less than | Numerical | Boolean | A<C |
| OR | Disjunction | Boolean | Boolean | B OR C |
| AND | Conjunction | Boolean | Boolean | A AND B |
| XOR | Exclusive disjunction | Boolean | Boolean | B XOR C |
| NOT | Negation | Boolean | Boolean | NOT A |

| Menu/Setup/Additional functions/Mathematical functions/MF1 to 8/Mode = Formula | | |
|--|---|---|
| Function | Options | Info |
| Calculation | Selection ■ Off ■ On Factory setting Off | On/off switch for the function |
| Source A ... C | Selection Select source Factory setting None | You can use all the sensor inputs, binary and analog inputs, mathematical functions, limit switches, time switches, fieldbus signals, controllers and datasets for measuring range switching as the source for measured values. |
| Measured value | Selection Depends on the source | <ol style="list-style-type: none"> 1. Choose a maximum of three sources (A, B and C) for measured values. |
| A ... C | The current measured value is displayed | <ol style="list-style-type: none"> 2. For each source, choose the measured value to be calculated. <ul style="list-style-type: none"> ↳ All available signals - depending on the selected source - are possible measured values. 3. Enter the formula. 4. Switch on the calculation. <ul style="list-style-type: none"> ↳ The current measured values A, B and C as well as the result of the calculation using the formula are displayed. |

| Menu/Setup/Additional functions/Mathematical functions/MF1 to 8/Mode = Formula | | |
|--|--|---|
| Function | Options | Info |
| Formula | User-defined text | Table → ⓘ 116 ⓘ Make sure the exact notation is used (upper case). Blank spaces before and after mathematical characters are irrelevant. Note the operator precedence, i.e. multiplication and division take precedence over addition and subtraction. Use parentheses if necessary. |
| Result unit | User-defined text | You may enter a unit for the calculated value if desired. |
| Result format | Selection <ul style="list-style-type: none"> ■ # ■ #.# ■ #.## ■ #.### ■ #.#### Factory setting #.## | Select the number of decimal places. |
| Result numeric | Read only | Current, calculated value |
| ▶ Mathematical function assignment view | | Overview of the configured functions |

Example: 2-point chlorine regulator with volume flow monitoring

A relay output activates a dosing pump. The pump should switch on when the following 3 conditions are met:

- (1) There is flow
- (2) The volume flow is above a defined value
- (3) The concentration of chlorine drops below a defined value

1. Connect a binary input signal from an "INS" point level switch of the CCA250 assembly to the DIO module.
2. Connect an analog input signal of a volume flow meter to the AI module.
3. Connect the chlorine sensor.
4. Configure the **Formula** mathematical function: **Source A** = binary input DIO, **Source B** = current input AI, **Source C** = input **Disinfection**.
 ↳ Formula:
A AND (B > 3) AND (C < 0.9)
 (where 3 is the lower limit value of the volume flow and 0.9 is the lower limit value of the chlorine concentration)
5. Configure the relay output with the **Formula** mathematical function and connect the dosing pump to the corresponding relay.

The pump is switched on if all 3 conditions are met. If one of the conditions is no longer met, the pump is switched off again.

ⓘ Instead of outputting the result of the formula directly to a relay, you can also connect a limit switch in between in order to attenuate the output signal via a switch-on and switch-off delay.

Example: Load-based control

The load – i.e. the product of the concentration and volume flow – is needed for the dosage of precipitants, for instance.

1. Connect an analog input signal of a volume flow meter to the AI module.

2. Configure the **Formula** mathematical function: **Source A** = input signal phosphate and **Source B** = input signal volume flow.
 - ↳ Formula:
 $A * B * x$
 (where x is an application-specific proportionality factor)
3. Select this formula as the source e.g. of the current output or of a modulated binary output.
4. Connect the valve or pump.

10.7.6 Diagnostic modules

Here you can configure a maximum of 8 individual diagnostic messages.

A diagnostic module has the following properties:

- The feed source can be configured like a binary output (relay, digital output).
- You can choose whether the diagnostic message should be output at a high level or low level.
- You decide which error category (Namur class) should be assigned to the message.
- You can define a customized text to be output as the diagnostic message text.

In addition you can switch off the factory diagnostic code for limit switches. This allows you to:

- Use the limit switch on a purely functional basis (without a message)
- Configure application-specific message texts
- Control diagnostic modules directly by a digital signal or via a limit switch output (enables the use of switch-on/switch-off delay, for example).

| Menu/Setup/Additional functions/Diagnostic modules | | |
|--|---|---|
| Function | Options | Info |
| ▶ Diagnostic module 1 (961) ... 8 (968) | | |
| Source of data | Selection <ul style="list-style-type: none"> ▪ None ▪ Fieldbus signals ▪ Binary inputs ▪ Limit switch Factory setting None | Specify the input which should be the source of data for the diagnostic message. |
| Measured value | Selection Depends on Source of data Factory setting None | Specify the measured value that should trigger the diagnostic message. You can use different measured values depending on the data source. |
| Active low | Selection <ul style="list-style-type: none"> ▪ Off ▪ On Factory setting On | On: The output value is equal to the inverse output value. |
| Short text | User-defined text | Give the diagnostic message a name. |
| ▶ Diagnostic module assignment view | | Shows an overview of the diagnostic modules used. |

11 Diagnostics and troubleshooting

11.1 General troubleshooting


The analyzer continuously monitors its functions itself.

If a diagnostic message occurs, the display alternates between the diagnostic message and the measured value in the measuring mode .


The color of the display background changes to red if a diagnostic message for error category "F" occurs.

11.1.1 Troubleshooting

A diagnostic message appears on the display or via the fieldbus , measured values are not plausible, or you identify a fault.

1. See the Diagnostics menu for details on the diagnostic message.
 - ↳ Follow the instructions to rectify the problem.
2. If this does not help, search for the diagnostic message under "Overview of diagnostic information" in these Operating Instructions. Use the message number as a search criterion. Ignore the letters indicating the NAMUR error category.
 - ↳ Follow the troubleshooting instructions provided in the last column of the error tables.
3. If the measured values are implausible, the local display is faulty or you encounter other problems, search for the faults under "Process errors without messages" (→ Operating Instructions Memosens, BA01245C) or "Device-specific errors" (→  124).
 - ↳ Follow the recommended measures.
4. Contact the Service Department if you cannot rectify the error yourself, citing only the error number.

11.1.2 Process errors without messages

 Operating Instructions "Memosens", BA01245C

11.1.3 Device-specific errors

| Problem | Possible cause | Tests and/or remedial measures |
|--|--|--|
| Dark display | No supply voltage | ▶ Check if supply voltage applied. |
| | Base module defective | ▶ Replace base module |
| Values appear on display but: ▪ Display does not change and/or ▪ Device cannot be operated | Module not wired correctly | ▶ Check modules and wiring. |
| | Impermissible operating system condition | ▶ Switch off device and switch it on again. |
| Implausible measured values | Inputs defective | ▶ First perform tests and take measures as outlined in "Process-specific errors" section. Measuring input test: ▶ Connect the Memocheck Sim CYP03D to the input and use it to check the function of the input. |
| | Calibration/adjustment failed | ▶ Repeat calibration |

| Problem | Possible cause | Tests and/or remedial measures |
|---|--|---|
| | No reagents/sample | <ol style="list-style-type: none"> 1. Check levels 2. Check the hoses of the reagents 3. Check sample 4. Check all connectors and tighten if necessary. |
| | Cuvette dirty | <ol style="list-style-type: none"> 1. Perform calibration with standard 2. Clean using manual cleaning routine, then repeat calibration with standard |
| | Incorrect reagent | ▶ Check the configured measuring parameter and the reagents used |
| | Incorrect concentration of the standard solution | Check the concentration setting for the standard solution |
| | Reagents have passed their shelf life | |
| | Incorrect hose system | ▶ Check the hose system using the hose routing diagram (see "Commissioning" section). |
| Measurement/calibration does not start | Action still active | |
| | Appropriate bottles not used | ▶ Check status |
| | No sample available | |
| | Device is in the fieldbus mode; no manual actions are possible | |
| | Dispenser run times have elapsed | |
| Calibration has failed | Stability criterion was not met | <ol style="list-style-type: none"> 1. Check the configuration and perform manual calibration again 2. Check the hoses of the reagents |
| Current output, incorrect current value | Incorrect adjustment | ▶ Check with integrated current simulation, connect mA meter directly to current output. |
| | Load too large | |
| | Shunt/short to ground in current loop | |
| No current output signal | Base module defective | ▶ Check with integrated current simulation, connect mA meter directly to current output. |

11.2 Diagnostic information on local display

Up-to-date diagnostic events are displayed along with their status category, diagnostic code and short text. Clicking on the navigator lets you retrieve more information and tips on remedial measures.

11.3 Diagnostic information via web browser

The same diagnostic information that is available for the local display is available via the web server.

11.4 Diagnostic information via fieldbus

Diagnostic events, status signals and more information are transmitted according to the definitions and technical capability of the respective fieldbus systems.


11.5 Adapting the diagnostic information

11.5.1 Classification of diagnostic messages

In the **DIAG/Diagnostics list** menu, you can find more detailed information on the current diagnostic messages displayed.

In accordance with NAMUR specification NE 107, the diagnostic messages are characterized by:

- Message number
- Error category (letter in front of the message number)
 - **F** = (Failure) a malfunction has been detected
The measured value of the affected channel is no longer reliable. The cause of the malfunction is to be found in the measuring point. Any controller connected should be set to manual mode.
 - **C** = (Function check), (no error)
Maintenance work is being performed on the device. Wait until the work has been completed.
 - **S** = (Out of specification), the measuring point is being operated outside its specification
Operation is still possible. However, you run the risk of increased wear, a shorter operating life or lower accuracy levels. The cause of the problem is to be found outside the measuring point.
 - **M** = Maintenance required. Action must be taken as soon as possible
The device still measures correctly. Immediate measures are not necessary. However, proper maintenance efforts would prevent a possible malfunction in the future.
- Message text

 If you contact the Service Department, please cite the message number only. Since you can individually change the assignment of an error to an error category, the Service Department cannot use this information.

11.5.2 Adapting the diagnostic behavior

All the diagnostic messages are assigned to specific error categories at the factory. Since other settings might be preferred depending on the application, error categories and the effect errors have on the measuring point can be configured individually. Furthermore, every diagnostic message can be disabled.


Example

Diagnostic message 531 **Logbook full** appears on the display. You want to change this message so that an error is not shown on the display for example.

1. For analyzer-specific diagnostic messages, select **Menu/Setup/Analyzer/Extended setup/Diagnostics settings/Diag. behavior** and for sensor-related messages, select **Menu/Setup/Inputs/<Sensor>/Extended setup/Diagnostics settings/Diag. behavior**.
2. Select the diagnostics message and press the navigator button.
3. Decide: (a) Should the message be deactivated? (**Diagnostics message = Off**)
(b) Do you want to change the error category? (**Status signal**)
(c) Should an error current be output? (**Failure current = On**)
(d) Do you want to trigger a cleaning program? (**Cleaning program**)
4. Example: You deactivate the message.
 - ↳ The message is no longer displayed. In the **DIAG** menu, the message appears as **Past message**.

Possible settings

The list of diagnostic messages displayed depends on the path selected. There are device-specific messages, and messages that depend on what sensor is connected.

| Menu/Setup/Run the ../Extended setup/Diagnostics settings/Diag. behavior | | |
|--|--|--|
| Function | Options | Info |
| List of diagnostic messages | | <p>► Select the message to be changed.</p> <p>Only then can you make the settings for this message.</p> |
| Diag. code | Read only | |
| Diagnostic message | <p>Selection</p> <ul style="list-style-type: none"> ▪ Off ▪ On <p>Factory setting Depends on the Diag. code</p> | <p>You can deactivate or reactivate a diagnostic message here.</p> <p>Deactivating means:</p> <ul style="list-style-type: none"> ▪ No error message in the measuring mode ▪ No error current at the current output |
| Failure current | <p>Selection</p> <ul style="list-style-type: none"> ▪ Off ▪ On <p>Factory setting Depends on the Diag. code</p> | <p>Decide whether an error current should be output at the current output if the diagnostic message display is activated.</p> <p>In the event of general device errors, the error current is switched to all the current outputs. In the event of channel-specific errors, the error current is only switched to the current output in question.</p> |
| Status signal | <p>Selection</p> <ul style="list-style-type: none"> ▪ Maintenance (M) ▪ Out of specification (S) ▪ Function check (C) ▪ Failure (F) <p>Factory setting Depends on the Diag. code</p> | <p>The messages are divided into different error categories in accordance with NAMUR NE 107. Decide whether you want to change a status signal assignment for your application.</p> |
| Diag. output | <p>Selection</p> <ul style="list-style-type: none"> ▪ None ▪ Binary outputs ▪ Alarm relay ▪ Relay 1 to n (depends on the device version) <p>Factory setting None</p> | <p>You can use this function to select an output to which the diagnostic message should be assigned.</p> <p> An alarm relay is always available, regardless of the device version. Other relays are optional.</p> <p>For sensors with the Memosens protocol: Before you can assign the message to an output: Configure one of the output types mentioned as follows: Menu/Setup/Outputs/(Alarm relay or Binary output or relay)/Function = Diagnostics and Operating mode = as assigned.</p> |
| Cleaning program | <p>Selection</p> <ul style="list-style-type: none"> ▪ None ▪ Cleaning 1 ... 4 <p>Factory setting None</p> | <p>Decide whether the diagnostic message should trigger a cleaning program.</p> <p>You can define cleaning programs under: Menu/Setup/Additional functions/Cleaning.</p> |
| ► Detailed information | Read only | Here you can find more information on the diagnostic message and instructions on how to resolve the problem. |

11.6 Overview of diagnostic information

11.6.1 Device-specific, general diagnostic messages

| No. | Message | Factory settings | | | Tests or remedial action |
|-----|--------------------|------------------|-----------------|-----------------|--|
| | | S ¹⁾ | D ²⁾ | F ³⁾ | |
| 202 | Selftest active | F | On | Off | Wait for self-test to be finished |
| 216 | Hold active | C | On | Off | Output values and status of the channel are on hold |
| 241 | Firmware failure | F | On | On | Internal device error <ol style="list-style-type: none"> 1. Update the software. 2. Contact Endress+Hauser Service. 3. Replace the backplane (Endress+Hauser Service). |
| 242 | Firmware incomp. | F | On | On | |
| 243 | Firmware failure | F | On | On | |
| 261 | Electronics module | F | On | On | Electronics module is defective <ol style="list-style-type: none"> 1. Replace the module. 2. Contact Endress+Hauser Service. |
| 262 | Module connection | F | On | On | Electronics module not communicating <ol style="list-style-type: none"> 1. Check the module , replace it if necessary. 2. Contact Endress+Hauser Service. |
| 263 | Incomp. detected | F | On | On | Wrong kind of electronics module <ol style="list-style-type: none"> 1. Replace the module. 2. Contact Endress+Hauser Service. |
| 284 | Firmware update | M | On | Off | Update completed successfully |
| 285 | Update error | F | On | On | Firmware update failed <ol style="list-style-type: none"> 1. Repeat. 2. SD card error → use another card. 3. Incorrect firmware → repeat with suitable firmware. 4. Contact Endress+Hauser Service. |
| 302 | Battery low | M | On | Off | Buffer battery of real-time clock is low The date and time are lost if the power is interrupted. <ul style="list-style-type: none"> ▶ Contact Endress+Hauser Service (battery replacement). |
| 304 | Module data | F | On | On | At least 1 module has incorrect configuration data <ol style="list-style-type: none"> 1. Check the system information. 2. Contact Endress+Hauser Service. |
| 305 | Power consumption | F | On | On | Total power consumption too high <ol style="list-style-type: none"> 1. Check installation. 2. Remove sensors/modules. |
| 306 | Software error | F | On | On | Internal firmware error <ul style="list-style-type: none"> ▶ Contact Endress+Hauser Service. |
| 335 | Fan | F | On | On | Fan defective <ol style="list-style-type: none"> 1. Replace the fan. 2. Contact Endress+Hauser Service. |

| No. | Message | Factory settings | | | Tests or remedial action |
|-----|-----------------------|------------------|-----------------|-----------------|--|
| | | S ¹⁾ | D ²⁾ | F ³⁾ | |
| 337 | Pump hose warning | M | On | Off | End of pump tube operating time will be reached shortly Display under Menu/Diagnostics/Operating time information/Pump tube life 1. Schedule replacement. 2. After replacing, reset the operating time under Menu/Diagnostics/Operating time information . |
| 360 | Cooling/Heating | C | On | Off | Temperature range in the housing exceeded 1. Check installation conditions and the ambient temperature 2. Replace the actuator module. 3. Contact Endress+Hauser Service. |
| 361 | Cooling/Heating | F | On | On | Cooling/heating module defective Defined temperature range not reached. This could affect the functionality of the reagents. 1. Check whether the insulation cap is seated correctly over the reagents. 2. Replace cooling/heating module. 3. Contact Endress+Hauser Service. |
| 362 | Photometer temp. | F | On | Off | Temperature of the photometer too high ▶ Contact Endress+Hauser Service. |
| 363 | Photometer temp. | F | On | Off | Temperature of the photometer too low ▶ Contact Endress+Hauser Service. |
| 364 | Timeout dosing | F | On | On | The Liquid Manager/dosing dispenser has timed out. Possible reasons: ▪ Photoelectric barrier defective ▪ Blocking ▶ Contact Endress+Hauser Service. |
| 365 | Photometer comm. | F | On | On | Photometer not communicating Possible reasons: Incorrect photometer connection 1. Check photometer connection. 2. Contact Endress+Hauser Service. |
| 367 | Module connect. | F | On | On | No communication to sample preparation ▶ Check the connecting cable to the sample preparation system. |
| 370 | Internal voltage | F | On | On | Internal voltage outside the valid range 1. Check supply voltage. 2. Check inputs and outputs for short-circuiting. |
| 373 | Electronic temp. high | M | On | Off | High electronics temperature ▶ Check ambient temperature and energy consumption. |
| 374 | Sensor check | F | On | Off | No measurement signal from sensor 1. Check sensor connection. 2. Check the sensor, replace it if necessary. |

| No. | Message | Factory settings | | | Tests or remedial action |
|-----|--------------------|------------------|-----------------|-----------------|--|
| | | S ¹⁾ | D ²⁾ | F ³⁾ | |
| 380 | Temperature sensor | F | On | On | Temperature sensor defective in reactor, cuvette or sample pre-heating system ▶ Contact the Endress+Hauser Service Department and quote the number displayed. |
| 381 | Valve malfunction | F | On | On | Indicated valve is defective ▶ Contact the Endress+Hauser Service Department and quote the number displayed. |
| 385 | Heating temp. low | S | On | Off | Sample pre-heating target temperature not reached 1. Check fuse. 2. Check cable and connector. |
| 386 | Heating temp. high | S | On | Off | Temperature of sample pre-heating too high 1. Monitor the temperature of the sample. 2. Disconnect the power supply if the sample temperature does not drop. |
| 401 | Factory reset | F | On | On | Factory reset is performed |
| 405 | Service IP active | C | Off | Off | Endress+Hauser Service switch is switched on The device can be addressed at 192.168.1.212. ▶ Switch off the service switch to change to the saved IP settings. |
| 412 | Writing backup | F | On | Off | ▶ Wait for the write process to be finished |
| 413 | Reading backup | F | On | Off | ▶ Wait. |
| 436 | SD card (80%) | M | On | Off | SD card 80% full 1. Replace SD card with empty card. 2. Clear SD card. 3. Set logbook properties to ring buffer (Setup/General settings/Logbooks). |
| 437 | SD card (100%) | M | On | Off | SD card 100% full. No longer possible to write to the card. 1. Replace SD card with empty card. 2. Clear SD card. 3. Set logbook properties to ring buffer (Setup/General settings/Logbooks). |
| 438 | SD card removed | M | On | Off | SD card not plugged in 1. Check SD card. 2. Replace SD card. 3. Disable logging. |
| 455 | Mathemat. function | F | On | On | Mathematical function: fault condition 1. Check mathematical function. 2. Check assigned input variables. |
| 460 | Output below limit | S | On | Off | Reasons ▪ Sensor in air ▪ Air pockets in assembly ▪ Sensor fouled ▪ Incorrect flow to sensor 1. Check sensor installation. 2. Clean the sensor. 3. Change assignment of current outputs. |
| 461 | Output above limit | S | On | Off | |
| 502 | No text catalog | F | On | On | ▶ Contact Endress+Hauser Service. |

| No. | Message | Factory settings | | | Tests or remedial action |
|-----|-------------------------|------------------|-----------------|-----------------|--|
| | | S ¹⁾ | D ²⁾ | F ³⁾ | |
| 503 | Language change | M | On | Off | Language change failed ► Contact Endress+Hauser Service. |
| 529 | Diag. setup active | C | Off | Off | ► Wait for maintenance to be finished. |
| 530 | Logbook at 80% | M | On | Off | <ol style="list-style-type: none"> 1. Save the logbook to the SD card and then delete the logbook in the device. 2. Set memory to circular buffer. 3. Deactivate logbook. |
| 531 | Logbook full | M | On | Off | |
| 532 | License error | M | On | Off | ► Contact Endress+Hauser Service. |
| 540 | Parameter save fail | M | On | Off | Storage of configuration has failed ► Repeat. |
| 541 | Parameter load ok | M | On | Off | Configuration successfully loaded |
| 542 | Parameter load fail | M | On | Off | Loading of configuration has failed ► Repeat. |
| 543 | Parameter load abort | M | On | Off | Configuration loading aborted |
| 544 | Parameter reset ok | M | On | Off | Factory default successful |
| 545 | Parameter reset fail | M | On | Off | Setting of device configuration to factory setting has failed |
| 583 | SD card write protected | M | On | Off | SD card write-protected. Writing not possible. <ol style="list-style-type: none"> 1. Remove write protection from the SD card. 2. Replace the SD card with a non-write-protected SD card. 3. Set logbook properties to ring buffer (Setup/General settings/Logbooks). |
| 565 | Configuration | M | On | Off | Invalid configuration of sample preparation system <ol style="list-style-type: none"> 1. In Setup/Sample preparation, check the number of channels used, their operating mode and type of installation. 2. Check the permitted combinations of sample preparation and analyzers, see the Operating Instructions for the sample preparation system. |
| 714 | Filter mats change | M | On | Off | Filter mat change necessary The limit value for operating hours has been exceeded ► Replace the filter mats and reset the operating hours counter in the Diagnostics menu. |
| 715 | Calibration expired | M | On | Off | The validity of the last calibration has expired. The date of the last calibration is too far in the past. Measurement can still take place. Possible reasons: Manual intervention has prevented automatic calibration <ol style="list-style-type: none"> 1. Calibrate analyzer manually. 2. Check device configuration. |

| No. | Message | Factory settings | | | Tests or remedial action |
|-----|----------------------|------------------|-----------------|-----------------|---|
| | | S ¹⁾ | D ²⁾ | F ³⁾ | |
| 716 | Calibration expired | S | On | Off | <p>Calibration has failed or is not reliable</p> <p>Possible reasons: Stability criteria are not met</p> <ol style="list-style-type: none"> 1. Check the configuration and perform a manual calibration again. 2. Contact Endress+Hauser Service. |
| 717 | Photometer defective | F | On | On | <p>Photometer defective</p> <p>Possible reasons:</p> <ul style="list-style-type: none"> ▪ No lamp voltage ▪ No lamp power <p>▶ Contact Endress+Hauser Service.</p> |
| 726 | Liquids warning | M | On | Off | <p>Consumable liquids, warning Measurement can still take place.</p> <p>Possible reasons</p> <ul style="list-style-type: none"> ▪ The level of one or more liquids is low ▪ One or more liquids almost past their shelf life. <p>▶ Top up/replace the liquids in question and reset the counter in Diagnostics/Operating time information.</p> |
| 727 | Liquids alarm | F | On | Off | <p>Consumable liquids, alarm Measurement can still take place.</p> <p>Possible reasons</p> <ul style="list-style-type: none"> ▪ The level of one or more liquids is low ▪ One or more liquids past their shelf life. <p>▶ Top up/replace the liquids in question and reset the counter in Diagnostics/Operating time information.</p> |
| 731 | Leakage detected | F | On | Off | <p>Leak detected in the sample preparation system or analyzer</p> <ol style="list-style-type: none"> 1. Check hoses and connections. 2. Check solenoid valves. 3. Check leak sensor. 4. Check the free outlet on the analyzer. 5. Replace defective parts and, if necessary, reset the operating hours counters in the Diagnostics menu. |
| 732 | Wear parts alarm | F | On | On | <p>One or more wear parts has exceeded its operating time.</p> <p>▶ Replace the wear parts in question and reset the counter in Diagnostics/Operating time information.</p> |
| 733 | Wear parts warning | M | On | Off | <p>One or more wear parts has almost reached the end of its operating time.</p> <p>▶ Replace the wear parts in question and reset the counter in Diagnostics/Operating time information.</p> |
| 910 | Limit switch | S | On | Off | Limit switch activated |
| 930 | No sample | F | On | On | <p>Sample flow interrupted during intake</p> <ul style="list-style-type: none"> ▪ Suction line blocked or leaking ▪ No inflow of sample <ol style="list-style-type: none"> 1. Check the suction line and suction strainer. 2. Check inflow of sample. |

| No. | Message | Factory settings | | | Tests or remedial action |
|--------------|---|------------------|-----------------|-----------------|--|
| | | S ¹⁾ | D ²⁾ | F ³⁾ | |
| 937 | Controlled variable | S | On | Off | Controller input warning Status of the controller variable is not OK ► Check application. |
| 938 | Controller setpoint | S | On | Off | Controller input warning Status of set point is not OK ► Check application. |
| 939 | Control. disturbance | S | On | Off | Controller input warning Status of disturbance variable is not OK ► Check application. |
| 940 | Process value | S | On | Off | Measured value out of specification Uncertain measured value. 1. Change the measuring range. 2. Calibrate the system. |
| 941 | Process value | F | On | On | Measured value out of specification Invalid measured value. 1. Change the measuring range. 2. Calibrate the system. |
| 951 - 958 | Hold active CH1 .. | C | On | Off | Output values and status of the channels are on hold. ► Wait until the hold is deactivated again. |
| 961 - 968 | Diagnostic module 1 (961) ... Diagnostic module 8 (968) | S | Off | Off | Diagnostic module is enabled |
| 969 | Modbus Watchdog | S | Off | Off | The device did not receive a Modbus telegram from the master within the specified time. The status of Modbus process values received is set to invalid |
| 970 | Curr. input overload | S | On | On | Current input overloaded The current input is switched off from 23 mA due to overload and reactivated automatically when a normal load is present. |
| 971 | Current Input low | S | On | On | Current input too low At 4 to 20 mA, the input current is less than the lower failure current. ► Check the input for short-circuiting. |
| 972 | Curr. input > 20 mA | S | On | On | Current output range exceeded |
| 973 | Current Input < 4 mA | S | On | On | Current output range undershot |
| 974 | Diagnostics confirm. | C | Off | Off | User has acknowledged the message displayed in the measuring menu. |
| 975 | Device restart | C | Off | Off | Device reset |

| No. | Message | Factory settings | | | Tests or remedial action |
|-----|-----------------------------|------------------|-----------------|-----------------|--|
| | | S ¹⁾ | D ²⁾ | F ³⁾ | |
| 976 | PFM/PWM value high | S | On | Off | Pulse-frequency modulation: output signal exceeded/undershot. Measured value outside the specified range. <ul style="list-style-type: none"> ■ Sensor in air ■ Air pockets in assembly ■ Incorrect flow to sensor ■ Sensor fouled <ol style="list-style-type: none"> 1. Clean sensor. 2. Check plausibility. 3. Adjust the PFM configuration. |
| 977 | PFM/PWM value low | S | On | Off | |
| 978 | Chemoclean Failsafe | S | On | On | No feedback signal detected within the configured period. <ol style="list-style-type: none"> 1. Check application. 2. Check wiring. 3. Extend the duration. 4. Reset active Failsafe. Path: Menu/Setup/Additional functions/Cleaning Cleaning x/Stop failsafe |
| 990 | Deviation limit | F | On | On | Redundancy: limit value of percentage deviation exceeded |
| 991 | CO ₂ conc. range | F | On | On | CO ₂ concentration (degassed conductivity) outside the measuring range |
| 992 | pH calculation range | F | On | On | pH calculation outside the measuring range |
| 993 | rH calculation range | F | On | On | rH calculation outside the measuring range |
| 994 | Difference conduct. | F | On | On | Dual conductivity outside the measuring range |

- 1) **Status signal**
2) **Diagnostic message**
3) **Failure current**

11.6.2 Sensor-specific diagnostic messages



Operating Instructions "Memosens", BA01245C

11.7 Pending diagnostic messages

The Diagnostics menu contains all the information on the device status. Furthermore, various service functions are available.

The following messages are directly displayed every time you enter the menu:

- Most important message
Diagnostic message recorded with the highest criticality level
- Past message
Diagnostic message whose cause is no longer present.

All the other functions in the Diagnostics menu are described in the following chapters.

11.8 Diagnostic list

All the current diagnostic messages are listed here.

A time stamp is available for each message. Furthermore, the user also sees the configuration and description of the message as saved in **Menu/Setup/General settings/Extended setup/Diagnostics settings/Diag. behavior** .

11.9 Logbooks

11.9.1 Available logbooks

Types of logbooks

- Logbooks physically available (all apart from the overall logbook)
- Database view of all logbooks (= overall logbook)

| Logbook | Visible in | Max. entries | Can be disabled ¹⁾ | Logbook can be deleted | Entries can be deleted | Can be exported |
|-------------------------------------|--|---------------------|-------------------------------|------------------------|------------------------|-----------------|
| Overall logbook | All events | 20000 | Yes | No | Yes | No |
| Calibration logbook | Calibration events | 75 | (Yes) | No | Yes | Yes |
| Operation logbook | Configuration events | 250 | (Yes) | No | Yes | Yes |
| Diagnostics logbook | Diagnostic events | 10000 | (Yes) | No | Yes | Yes |
| Analyzer event logbook | Analyzer events | 19500 ²⁾ | No | No | Yes | Yes |
| Analyzer calibration logbook | Analyzer calibration logbook | 250 | (Yes) | No | Yes | Yes |
| Analyzer data logbook | Analyzer data logbooks | 20000 ²⁾ | No | No | Yes | Yes |
| Analyzer absorption data logbook | Absorption data logbook | 5000 | No | No | Yes | Yes |
| Analyzer raw data logbook | Raw data logbook | 5000 | No | No | Yes | Yes |
| Version logbook | All events | 50 | No | No | No | Yes |
| Hardware version logbook | All events | 125 | No | No | No | Yes |
| Data logbook for sensors (optional) | Data logbooks | 150 000 | Yes | Yes | Yes | Yes |
| Debugging logbook | Debug events (only accessible by entering the special service activation code) | 1000 | Yes | No | Yes | Yes |

1) Data in brackets means this depends on the overall logbook

2) Sufficient for 1 year of operation with a normal measuring interval

11.9.2 Menu Logbooks

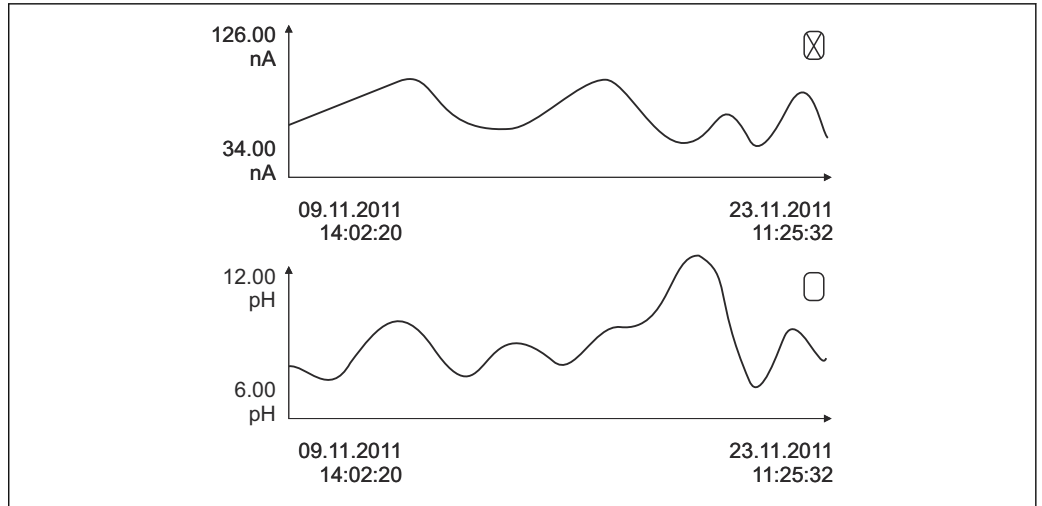
| DIAG/Logbooks | | |
|---------------|--|---|
| Function | Options | Info |
| ▶ All events | | Chronological list of all the logbook entries, with information on the type of event |
| ▶ Show | Events are displayed | Select a particular event to display more detailed information. |
| ▶ Go to date | User entry <ul style="list-style-type: none"> ▪ Go to date ▪ Time | Use this function to go directly to a specific time in the list. In this way, you avoid having to scroll through all the information. The complete list is always visible, however. |

| DIAG/Logbooks | | |
|------------------------|--|---|
| Function | Options | Info |
| ▶ Calibration events | | Chronological list of the calibration events |
| ▶ Show | Events are displayed | Select a particular event to display more detailed information. |
| ▶ Go to date | User entry <ul style="list-style-type: none"> ▪ Go to date ▪ Time | Use this function to go directly to a specific time in the list. In this way, you avoid having to scroll through all the information. The complete list is always visible, however. |
| ▷ Delete all entries | Action | You can delete all the calibration logbook entries here. |
| ▶ Configuration events | | Chronological list of the configuration events |
| ▶ Show | Events are displayed | Select a particular event to display more detailed information. |
| ▶ Go to date | User entry <ul style="list-style-type: none"> ▪ Go to date ▪ Time | Use this function to go directly to a specific time in the list. In this way, you avoid having to scroll through all the information. The complete list is always visible, however. |
| ▷ Delete all entries | Action | You can use this to delete all the operation logbook entries. |
| ▶ Diagnostic events | | Chronological list of the diagnostics events |
| ▶ Show | Events are displayed | Select a particular event to display more detailed information. |
| ▶ Go to date | User entry <ul style="list-style-type: none"> ▪ Go to date ▪ Time | Use this function to go directly to a specific time in the list. In this way, you avoid having to scroll through all the information. The complete list is always visible, however. |
| ▷ Delete all entries | Action | You can use this to delete all the diagnostics logbook entries. |
| ▶ Analyzer events | | Entries for analyzer events, such as measurement, cleaning and calibration. |
| ▶ Show | Events are displayed | Select a particular event to display more detailed information. |
| ▶ Go to date | User entry <ul style="list-style-type: none"> ▪ Go to date ▪ Time | Use this function to go directly to a specific time in the list. In this way, you avoid having to scroll through all the information. The complete list is always visible, however. |
| ▷ Delete all entries | Action | You can use this to delete all analyzer event entries. |

You can also view your data logbook entries graphically on the display (**Show plot**).

You can also adapt the display to suit your individual requirements:


- Press the navigator button in the graphic display: you are given additional options such as the zoom function and x/y movement of the graph.
- Define the cursor: if you select this option, you can move along the graph with the navigator and view the logbook entry (data stamp/measured value) in text form for every point in the graph.
- Simultaneous display of two logbooks: **Select 2nd plot** and **Show plot**
 - A small cross marks the currently selected graph for which the zoom can be changed or a cursor used, for example.
 - In the context menu (press the navigator button), you can select the other graph. You can then apply the zoom function, a movement or a cursor to this graph.
 - Using the context menu, you can also select both graphs simultaneously. This enables you to use the zoom function on both graphs simultaneously, for example.



A0016688


76 Simultaneous display of two graphs, the top one is selected

| DIAG/Logbooks | | |
|-----------------------------|---|---|
| Function | Options | Info |
| ▶ Analyzer data logbooks | | Data logbooks for the data of the wet-chemical analyzers |
| ▶ Data logbook SP1 | | |
| Source of data | Read only | Displays the measuring channel |
| Measuring parameter | Read only | Displays the measurement parameter recorded |
| Unit | Read only | Displays the unit |
| ▶ Show | Events are displayed | Select a particular event to display more detailed information. |
| ▶ Go to date | User entry <ul style="list-style-type: none"> ▪ Go to date ▪ Time | Use this function to go directly to a specific time in the list. In this way, you avoid having to scroll through all the information. The complete list is always visible, however. |
| ▶ Show plot | Graphic display of the logbook entries | The entries are displayed according to your settings in the menu General settings/Logbooks . |
| ▷ Delete all entries | Action | You can use this to delete all data logbook entries. |
| ▶ Absorption data logbook | | |
| Curve | Read only | Displays the absorption curve |
| ▶ Show | Events are displayed | Select a particular event to display more detailed information. |
| ▶ Go to date | User entry <ul style="list-style-type: none"> ▪ Go to date ▪ Time | Use this function to go directly to a specific time in the list. In this way, you avoid having to scroll through all the information. The complete list is always visible, however. |
| ▶ Show plot | Graphic display of the logbook entries | The entries are displayed according to your settings in the menu General settings/Logbooks . |
| ▷ Delete all entries | Action | You can delete all the absorption data logbook entries here. |
| ▶ Raw data logbook | | |
| ▶ Show | Events are displayed | Select a particular event to display more detailed information. |
| ▶ Show plot | Graphic display of the logbook entries | The entries are displayed according to your settings in the menu General settings/Logbooks . |
| ▶ Set plotting window range | | Here you can specify the start and end times of the logbook entries to be displayed graphically. |
| Plotter begin | Selection <ul style="list-style-type: none"> ▪ First entry ▪ Date/Time Factory setting First entry | <ul style="list-style-type: none"> ▪ First entry: Defines the first entry saved in the logbook as the start time. ▪ Date/Time: Defines the set date/time as the start time. |
| Plotter end | Selection <ul style="list-style-type: none"> ▪ Last entry ▪ Date/Time Factory setting Last entry | <ul style="list-style-type: none"> ▪ First entry: Defines the last entry saved in the logbook as the end time. ▪ Date/Time: Defines the set date/time as the end time. |
| ▶ Show plot | Graphic display of the logbook entries | The entries are displayed according to your settings in the menu General settings/Logbooks . |
| ▷ Delete all entries | Action | You can delete all the absorption data logbook entries here. |

| DIAG/Logbooks | | |
|--|---|---|
| Function | Options | Info |
| ▶ Data logbooks | | Chronological list of the data logbook entries for sensors |
| Data logbook 1 ... 8 <Logbook name> | | This submenu is available for each data logbook that you have set up and activated. |
| Source of data | Read only | Input or mathematical function is displayed |
| Measured value | Read only | Measured value being recorded is displayed |
| Log time left | Read only | Display of days, hours and minutes until logbook is full. ▶ Pay attention to the information on selecting the memory type in the menu General settings/Logbooks . |
| ▶ Show | Events are displayed | Select a particular event to display more detailed information. |
| ▶ Go to date | User entry ▪ Go to date ▪ Time | Use this function to go directly to a specific time in the list. In this way, you avoid having to scroll through all the information. The complete list is always visible, however. |
| ▶ Show plot | Graphic display of the logbook entries | The display is according to your settings in the menu General settings/Logbooks . |
| Select 2nd plot | Select another data logbook | You can view a second logbook at the same time as the current one. |
| ▷ Delete all entries | Action | You can use this to delete all data logbook entries. |
| ▶ Save logbooks | | |
| File format | Selection ▪ CSV ▪ FDM | ▶ Save the logbook in the preferred file format. You can then open the saved CSV file on the PC in MS Excel, for example, and make further edits here. ¹⁾ You can import the FDM files into FieldCare and archive them so that they are tamper-proof. |
| ▷ All data logbooks ▷ Data logbook SP1 ▷ Absorption data logbook ▷ Raw data logbook ▷ Data logbook 1 ... 8 ▷ All event logbooks ▷ Calibration logbook ▷ Diagnostic logbook ▷ Analyzer data logbook ▷ Analyzer event logbook ▷ Analyzer calibration logbook ▷ Configuration logbook ▷ HW version logbook ▷ Version logbook | Action, commences as soon as the option is selected | Use this function to save the logbook to an SD card. ▶ Save the logbook in the preferred file format. You can then open the saved CSV file on the PC in MS-Excel, for example, and edit it. You can import the FDM files into Fieldcare and archive them so they are tamper-proof. |
|  The file name is made up of the Logbook ident (Menu/Setup/General settings/Logbooks) , an abbreviation for the particular logbook and a time stamp. | | |

1) CSV files use international number formats and separators. Therefore they must be imported into MS Excel as external data with the correct format settings. If you double-click the file to open it, the data are only displayed correctly if MS Excel is installed with the US country setting.

11.10 System information

| DIAG/System information | | |
|---|--|--|
| Function | Options | Info |
| Device tag | Read only | Individual device tag → General settings |
| Order code | Read only | You can order identical hardware with this code. This code changes on account of changes to the hardware and you can enter the new code you received from the manufacturer here ¹⁾ . |
|  To establish the version of your device, enter the order code into the search screen at the following address: www.endress.com/order-ident | | |
| Orig. order code ext. | Read only | Complete order code for the original device, resulting from the product structure. |
| Current order code ext. | Read only | Current code, taking into account changes to the hardware. You must enter this code yourself. |
| Serial number | Read only | The serial number allows you to access device data and documentation on the Internet: www.endress.com/device-viewer |
| Software version | Read only | Current version |
| Measuring parameter | Read only | Set measuring parameter |
| MPL version | Read only | Current version |
| ▶ Actuator control module | Read only <ul style="list-style-type: none"> ■ Firmware version ■ Hardware version | |
| ▶ Photometer | Read only <ul style="list-style-type: none"> ■ Firmware version ■ Hardware version | |
| ▶ Modbus <i>Only with the Modbus option</i> | Read only <ul style="list-style-type: none"> ■ Enable ■ Bus address ■ Termination ■ Modbus TCP Port 502 | Modbus-specific information |
| ▶ PROFIBUS <i>Only with the PROFIBUS option</i> | Read only <ul style="list-style-type: none"> ■ Termination ■ Bus address ■ Ident number ■ Baudrate ■ DPV0 state ■ DPV0 fault ■ DPV0 master addr ■ DPV0 WDT [ms] | Module status and other PROFIBUS-specific information |
| ▶ Ethernet <i>Only with the Ethernet, EtherNet/IP, Modbus TCP, Modbus RS485 or PROFIBUS DP or PROFINET option</i> | Read only <ul style="list-style-type: none"> ■ Enable ■ Webserver ■ Link settings ■ DHCP ■ IP address ■ Netmask ■ Gateway ■ Service switch ■ MAC address ■ EtherNetIP Port 44818 ■ Modbus TCP Port 502 ■ Webserver TCP port 80 | Ethernet-specific information Display depends on the fieldbus protocol used. |

| DIAG/System information | | |
|---------------------------|--|--|
| Function | Options | Info |
| ▶ SD card | Read only <ul style="list-style-type: none"> ▪ Total ▪ Free memory | |
| ▶ System modules | | |
| Backplane | Read only <ul style="list-style-type: none"> ▪ Description ▪ Serial number ▪ Order code ▪ Hardware version ▪ Software version | This information is provided for every electronics module available. Specify the serial numbers and order codes when servicing, for example. |
| Base | | |
| Display module | | |
| Extension module 1 ... 8 | | |
| ▶ Sensors | Read only <ul style="list-style-type: none"> ▪ Description ▪ Serial number ▪ Order code ▪ Hardware version ▪ Software version | This information is provided for every sensor available. Specify the serial numbers and order codes when servicing, for example. |
| ▶ Save system information | | |
| ▷ Save to SD card | File name assigned automatically (includes a time stamp) | The information is saved on the SD card in a "sysinfo" subfolder. The csv file can be read and edited in MS Excel, for example. This file can be used when servicing the device. |

1) Provided you give the manufacturer all the information about changes to the hardware.

11.11 Sensor information

- ▶ Select the required channel from the list of channels.

Information in the following categories is displayed:

- **Extreme values**
Extreme conditions to which the sensor was previously exposed, e.g. min./max. temperatures ²⁾
- **Operating time**
Operating time of the sensor under defined extreme conditions
- **Calibration information**
Calibration data of the last calibration
Calibration data of the factory calibration ³⁾
- **Sensor specifications**
Measuring range limits for main measured value and temperature
- **General information**
Information on sensor identification


The specific data that are displayed depends on what sensor is connected.

2) Not available for all sensor types.
3) Not available for all sensor types.

11.12 Simulation

You can simulate values at inputs and outputs for testing purposes:

- Current values at current outputs
- Measured values at inputs
- Relay contact opening or closing

 Only current values are simulated. Via the simulation function, it is not possible to calculate the totalized value for the flow or rainfall.

- ▶ Before simulation: Enable the inputs and outputs in the Setup menu.

| DIAG/Simulation | | |
|------------------------------|--|---|
| Function | Options | Info |
| ▶ Current output x:y | | Simulation of an output current This menu appears once for each current output. |
| Simulation | Selection <ul style="list-style-type: none"> ■ Off ■ On Factory setting Off | If you simulate the value at the current output, this is indicated on the display by a simulation icon in front of the current value. |
| Current | 2.4 to 23.0 mA Factory setting 4 mA | ▶ Set the desired simulation value. |
| ▶ Alarm relay ▶ Relay x:y | | Simulation of a relay state This menu appears once for each relay. |
| Simulation | Selection <ul style="list-style-type: none"> ■ Off ■ On Factory setting Off | If you simulate the relay state, this is indicated on the display by a simulation icon in front of the relay display. |
| State | Selection <ul style="list-style-type: none"> ■ Low ■ High Factory setting Low | ▶ Set the desired simulation value. The relay switches in accordance with your setting when you switch on the simulation. On the measured value display, you see On (= Low) or Off (= High) for the simulated relay state. |
| ▶ Meas. inputs | | Simulation of a measured value (only for sensors) |
| Channel : parameter | | This menu appears once for each measuring input. |
| Simulation | Selection <ul style="list-style-type: none"> ■ Off ■ On Factory setting Off | If you simulate the measured value, this is indicated on the display by a simulation icon in front of the measured value. |
| Main value | Depends on the sensor | ▶ Set the desired simulation value. |
| Sim. temperature | Selection <ul style="list-style-type: none"> ■ Off ■ On Factory setting Off | If you simulate the temperature measured value, this is indicated on the display by a simulation icon in front of the temperature. |
| Temperature | -50.0 to +250.0 °C (-58.0 to 482.0 °F) Factory setting 20.0 °C (68.0 °F) | ▶ Set the desired simulation value. |

| DIAG/Simulation | | |
|---------------------------------------|--|--|
| Function | Options | Info |
| Binary input x:y Binary output x:y | | Simulation of a binary input or output signal The number of submenus available corresponds to the number of binary inputs or outputs. |
| Simulation | Selection <ul style="list-style-type: none"> ▪ Off ▪ On Factory setting Off | |
| State | Selection <ul style="list-style-type: none"> ▪ Low ▪ High | |

11.13 Device test


11.13.1 Analyzer

| DIAG/System testAnalyzer/Photometer | | |
|-------------------------------------|-----------|------|
| Function | Options | Info |
| Cleaning factor | Read only | |
| Raw value | Read only | |

| DIAG/System testAnalyzer | | |
|--|---------|--|
| Function | Options | Info |
| ► Cuvette heating | | Cuvette heating test |
| Temperature | | Displays the current cuvette heating temperature |
| Current | | Displays the current heating current in ampere |
| Power | | Displays the heating power in % (current controller actuating value) |
| State | | Displays the cuvette heating status |
| Selection | | |
| <ul style="list-style-type: none"> ▪ Heating ▪ Heating up ▪ Off | | |
| ▷ Off for 10 minutes | | Cuvette heating is switched off for 10 minutes. Cuvette heating is switched on by default. It can be switched off temporarily for testing. |
| ▷ On | | Cuvette heating is switched on. |
| ► Magnetic stirrer | | |
| ▷ Start for 1 minute | | The magnetic stirrer is switched on for 1 minute. |
| ▷ Stop | | |
| ► Sample pre-heating | | |
| Temperature | | Displays the current sample pre-heating temperature |
| Power | | Displays the heating power in % (current controller actuating value) |
| State | | Displays the current sample pre-heating status |
| ▷ Off for 10 minutes | | Sample pre-heating is switched off for 10 minutes. |

| DIAG/System testAnalyzer | | |
|---|---------|---|
| Function | Options | Info |
| ▷ On | | Sample pre-heating is switched on. |
| ▶ Valves | | |
| Valve selection Selection ▪ None ▪ Reagent RB ▪ Reagent RK ▪ Reagent RN | | |
| ▷ Open | | Opens the selected valve. |
| ▷ Close | | Closes the selected valve. |
| ▶ Pump | | |
| ▷ Start for 1 minute | | The pump is switched on for 1 minute. |
| ▷ Stop | | |
| ▶ Sample channel | | |
| Current channel | | Displays the active measuring channel |
| Flow rate | | Displays the current flow of the active measuring channel |
| Test channel | | Select the measuring channel to be tested After making the selection, press Confirm |
| ▷ Confirm | | |
| ▶ Dispensers | | |
| Dispenser selection Selection ▪ None ▪ 1 ▪ 2 ▪ 3 | | |
| ▷ Empty dispenser | | Dispenser is emptied |
| ▷ Draw up dispenser | | Dispenser draws in reagent from the reagent bottles |

11.13.2 Power supply

| DIAG/System test/Power supply | | |
|-------------------------------|-----------|--|
| Function | Options | Info |
| Digital supply 1: 1.2V | Read only | Detailed list of power supply to instrument.  The actual values can vary without a malfunction having occurred. |
| Digital supply 2: 3.3V | | |
| Analog supply: 12.5V | | |
| Sensor supply: 24V | | |
| Temperature | | |

11.14 Resetting

| DIAG/Reset | | |
|-------------------|--|--|
| Function | Options | Info |
| ▷ Device restart | Selection <ul style="list-style-type: none"> ▪ OK ▪ ESC | Restart and keep all the settings |
| ▷ Factory default | Selection <ul style="list-style-type: none"> ▪ OK ▪ ESC | Restart with factory settings Settings that have not been saved are lost. |

11.15 Operating time information

List of functional and operating time counters

- Operating time filter mats
Displays the period of usage in days
- Operating time photometer
- Remaining operating time
Dispensers
Displays the remaining period of usage in days; i.e. the individual dispensers can still be used for this many days.

11.16 Firmware history

| Date | Version | Changes to firmware | Documentation |
|---------|----------|---|--|
| 03/2022 | 01.12.00 | Improvements, including: <ul style="list-style-type: none"> ▪ Pre-rinsing with reagents after a bottle change ▪ Improved texts for diagnoses F361 and S360 ▪ Measuring ranges displayed with up to 2 decimal places, depending on the measuring range limits ▪ Valves can now be switched in the maintenance menu | BA01650C/07/./05.22 BA01245C/07/./08.22 |
| 03/2021 | 01.09.00 | Extension <ul style="list-style-type: none"> ▪ Support for new base module ▪ PROFINET Improvements <ul style="list-style-type: none"> ▪ Air bubble detection, measurement is repeated if the threshold value is overshoot ▪ Zero adjustment improved ▪ Minimum time for compressed air cleaning reduced to 1 s | BA01650C/07/./03.21 BA01245C/07/./07.19 |
| 03/2019 | 1.06.08 | Extension <ul style="list-style-type: none"> ▪ Implementation of the manual mode Improvement <ul style="list-style-type: none"> ▪ Deactivation of heating when device is put out of service ▪ Adaptation of standard measurement and calibration intervals | BA01650C/07/./02.19 BA01245C/07/./07.19 |
| 06/2018 | 01.06.06 | Original software | BA01650C/07/./01.18 BA01245C/07/./06.18 |

This product uses Lua, which is distributed under the following license:

Copyright © 1994–2013 Lua.org, PUC-Rio.

Permission is hereby granted, free of charge, to any person obtaining a copy of this software and associated documentation files (the "Software"), to deal in the Software without restriction, including without limitation the rights to use, copy, modify, merge,

publish, distribute, sublicense, and/or sell copies of the Software, and to permit persons to whom the Software is furnished to do so, subject to the following conditions:

The above copyright notice and this permission notice shall be included in all copies or substantial portions of the Software.

THE SOFTWARE IS PROVIDED "AS IS", WITHOUT WARRANTY OF ANY KIND, EXPRESS OR IMPLIED, INCLUDING BUT NOT LIMITED TO THE WARRANTIES OF MERCHANTABILITY, FITNESS FOR A PARTICULAR PURPOSE AND NONINFRINGEMENT. IN NO EVENT SHALL THE AUTHORS OR COPYRIGHT HOLDERS BE LIABLE FOR ANY CLAIM, DAMAGES OR OTHER LIABILITY, WHETHER IN AN ACTION OF CONTRACT, TORT OR OTHERWISE, ARISING FROM, OUT OF OR IN CONNECTION WITH THE SOFTWARE OR THE USE OR OTHER DEALINGS IN THE SOFTWARE.

12 Maintenance

12.1 Notes on maintenance

Measuring point safety

Potential impact on process and process control!

- ▶ Take all the necessary precautions in time to ensure the operational safety and reliability of the entire measuring point.

Process pressure and temperature, contamination, electrical voltage

Risk of serious or fatal injury!

- ▶ Avoid hazards posed by pressure, temperature and contamination.
- ▶ Make sure the device is de-energized before you open it.
- ▶ Power can be supplied to switching contacts from separate circuits. De-energize these circuits before working on the terminals.

Maintenance activities in automatic mode

Risk of injury due to chemicals or contaminated media!

- ▶ Before releasing the hoses, ensure that no action is running or about to start.
- ▶ Set the device to the manual mode.
- ▶ Wear protective clothing, goggles and gloves or take other suitable measures to protect yourself.

Electrostatic discharge (ESD)

Risk of damaging the electronic components

- ▶ Take personal protective measures to avoid ESD, such as discharging beforehand at PE or permanent grounding with a wrist strap.
- ▶ For your own safety, use only genuine spare parts. With genuine parts, the function, accuracy and reliability are also ensured after maintenance work.

Maintenance intervals

Failure to adhere to the recommended intervals may result in damage to equipment!

- ▶ Observe the recommended maintenance intervals.

12.2 Maintenance schedule

- ▶ Do not bend the capillaries.
- ▶ Do not subject the capillaries to any tensile load.




| Interval | Maintenance work |
|---|---|
| After every reagent replacement, during commissioning, maintenance and repair | <ul style="list-style-type: none"> ▶ Carry out zero adjustment. ▶ Visually inspect the cuvette for cracks and discoloration. ▶ Replace the cuvette if it is damaged. |
| 2 months | <ul style="list-style-type: none"> ▶ Check levels of reagents and standard. ▶ Replace reagents RB, RK and RN (typically: with a measuring interval of 20 min, depending on the temperature and measuring range). ▶ Replace standard solution (typically: with a calibration interval of 96 h). |
| 6 months | <ul style="list-style-type: none"> ▶ Replace dispensers and hose connectors at dispensers. ▶ Visually inspect the cuvette for cracks and discoloration. Replace the cuvette if it is damaged. |

| Interval | Maintenance work |
|-------------|---|
| 12 months | <ul style="list-style-type: none"> ▶ Replace the cuvette. ▶ Clean the magnetic stir bar. ▶ Check hose of hose pump for wear, and replace if necessary. ▶ Replace hoses. ▶ Replace filter mats. |
| If required | <ul style="list-style-type: none"> ▶ Clean the housing. ▶ Clean the cuvette. ▶ Replace the cuvette. ▶ Clean the magnetic stir bar. ▶ Rinse the reagent and standard channels. ▶ Replace the hose connector. ▶ Clean the filter (backwash). |

12.3 Maintenance work

12.3.1 Software menu Maintenance

Menu/Operation/Maintenance

- Bottle replacement
If level monitoring is activated: specify when bottles are replaced.
- Dispenser replacement
Operating time counter, can be reset here. Replace dispensers: →  151
- Filter mats replacement
Operating time counter, can be reset here. Replace filter mats: →  150
- Decommissioning
→  151

12.3.2 Setting the manual mode

Initial situation: The device is still in the automatic mode and you want to perform maintenance work.

1. Press the **MODE** soft key.
 - ↳ The current mode is displayed: **Automatic**
2. Select an action: **Manual mode**
 - ↳ The device changes to the manual mode.
3. Wait until all operations have stopped.
4. **Alternatively:**
Stop actions currently running under: **Menu/Operation/Manual operation.**

12.3.3 Cleaning

Risk of injury due to leaking reagents!

- ▶ Before replacement: Always rinse the reagent and standard channels first.

Cleaning the housing

- ▶ Clean the front of the housing using commercially available cleaning agents only.

The front is resistant to:

- Ethanol (for a short time)
- Diluted acids (max. 2% HCl)
- Diluted bases (max. 3% NaOH)
- Soap-based household cleaning agents

Cleaning agents not permitted

Damage to the housing surface or housing seal possible!

- ▶ Never use concentrated mineral acids or alkaline solutions for cleaning.
- ▶ Never use organic cleaners such as acetone, benzyl alcohol, methanol, methylene chloride, xylene or concentrated glycerol cleaner.
- ▶ Never use high-pressure steam for cleaning.

Rinsing the reagent and standard channels

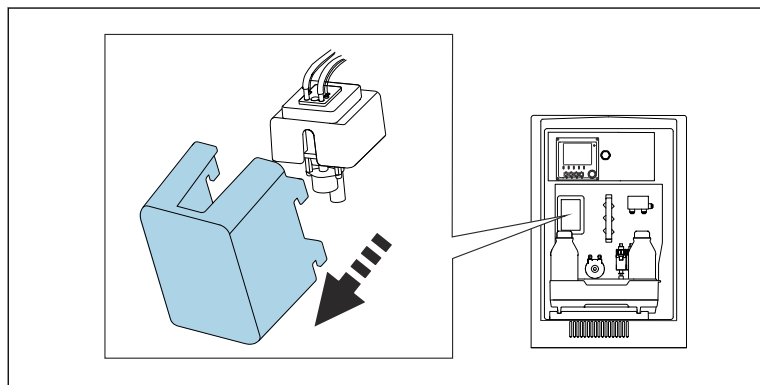
1. Place the ends of the hoses (RB, RK, RN, S) into an empty plastic beaker.
2. Purge the hoses with air. Select: **Menu/Operation /Maintenance/Decommissioning/Empty hoses** .
 - ↳ The hoses are automatically purged with air and emptied. This process takes several minutes.
3. Rinse the hoses with water: Immerse all hoses (RB, RK, RN, S) in a beaker with approx. 500 ml (16.9 fl.oz) of distilled water.
4. Start rinsing: **Menu/Operation /Maintenance/Decommissioning/Rinse with water** must be selected.
 - ↳ The hoses are automatically rinsed and emptied. This process takes approx. 8 minutes.
5. Once the action is finished, remove the hoses from the beaker and dry them with a clean paper towel.
6. Place the ends of the hoses into an empty plastic beaker.
7. Purge the hoses again with air. Select: **Menu/Operation /Maintenance/Decommissioning/Empty hoses** .
 - ↳ The hoses are automatically purged with air and emptied. This process takes several minutes.

Cleaning the cuvette and magnetic stir bar

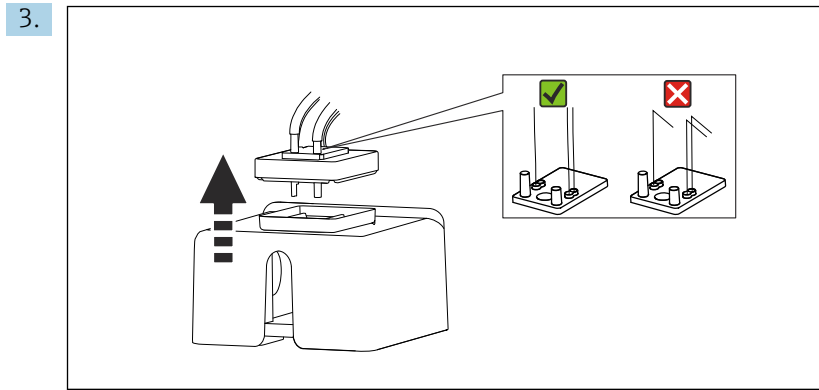
Only clean the cuvette and magnetic stir bar when this is necessary. This is not part of routine maintenance work.

Emptying the cuvette and removing it from the holder

1. If you have not already done so, set the manual mode.
- 2.

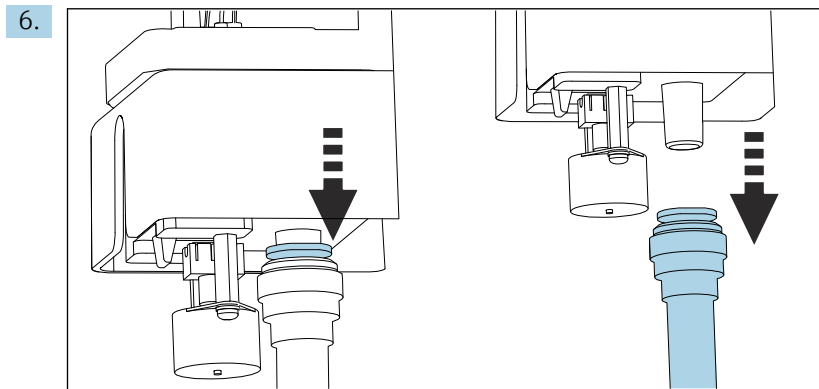


Remove the cover in front of the cuvette assembly.

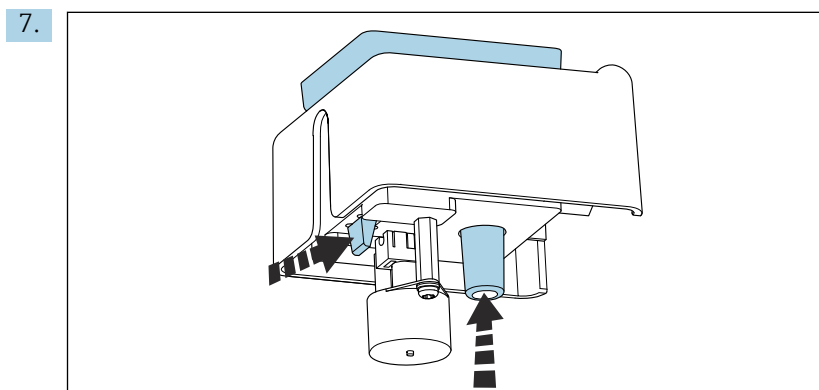


Lift the rubber cover off the cuvette. There must be no kinks in the capillaries at the capillary holder or at the valves, and the capillaries must not be removed from the hose connector.

4. Insert the maintenance dispenser together with the hose piece provided through the hole in the capillary holder of the cuvette.
5. Empty the cuvette completely.



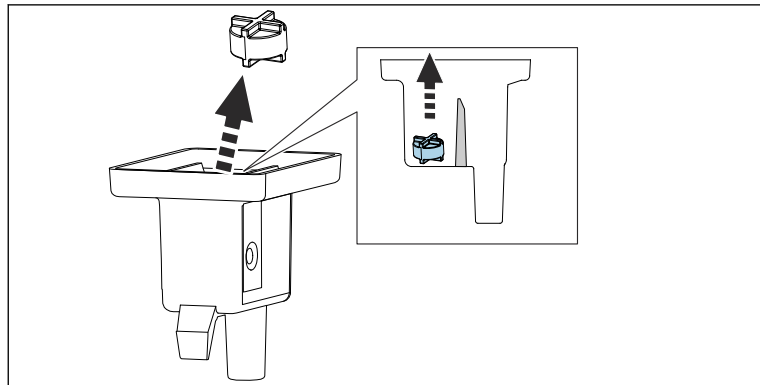
Remove outlet hose "W".



Push the cuvette out from below by pressing simultaneously against the tab and the hose attachment.

Cleaning or replacing the cuvette and magnetic stir bar

1.

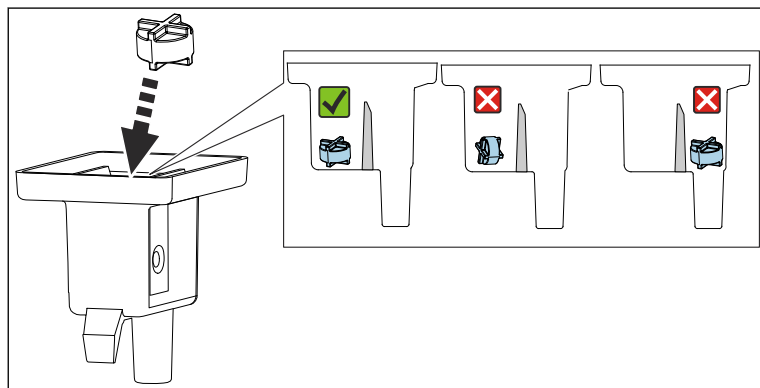


Remove the magnetic stir bar from the measuring chamber.

2. Check the cuvette for dirt and clean if necessary or replace with a new cuvette.

3. Check the magnetic stir bar and clean if necessary.

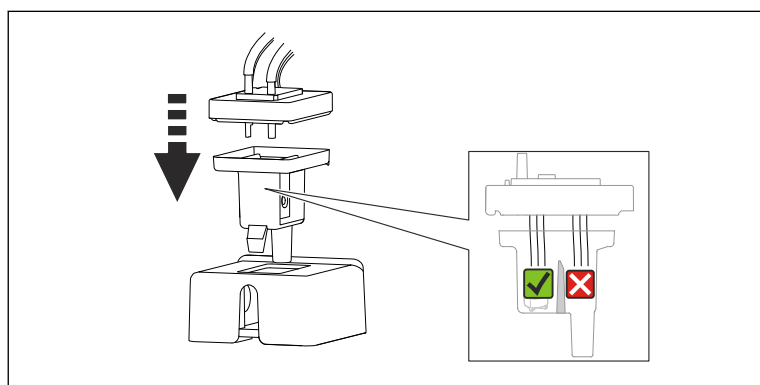
4.



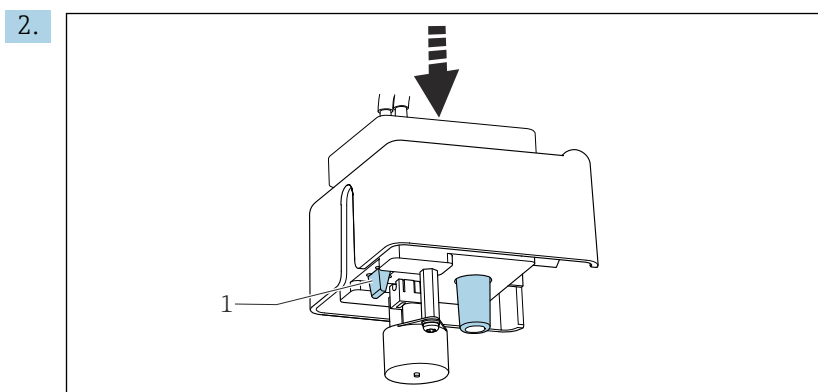
Place the magnetic stir bar back into the measuring chamber, making sure that it is flat and in the measuring chamber.

Reinstalling the cuvette

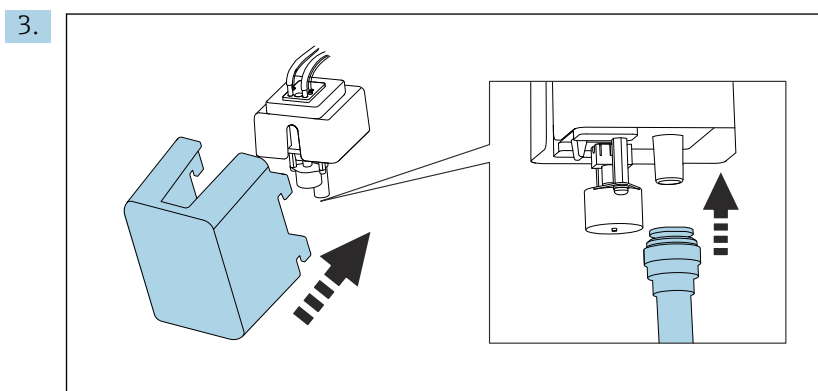
1.



Place the rubber cover back on the cuvette, and ensure that all capillaries are in the measuring chamber.



Push the cuvette with the magnetic stir bar and cover into the holder. Ensure that the tab (1) snaps into place.



Connect the outlet hose "W" again and secure the cover again.

12.3.4 Replacing reagents

Removing bottles

1. Stop the sample supply.
2. If you have not already done so, set the manual mode.
3. Remove the bottles you wish to replace by removing the hoses at the valves. Use a paper towel to catch any reagents that may escape.
4. Select **Menu/Operation /Maintenance/Bottle change mode/Bottle removal/Bottle selection**.
5. Select the bottles that you want to remove and press **OK** to confirm.
6. Select the **Confirm bottles removed**.

Replacing bottles

1. Replace the removed bottles with fresh reagent .
 - ↳ Reagents must be prepared according to the instructions for mixing a reagent.
2. Reconnect the hoses to the valves.
3. Select **Menu/Operation /Maintenance/Bottle change mode/Bottle insertion/Bottle selection**.
4. Select all the bottles that you have replaced and press **OK** to confirm.
5. Select the **Confirm bottles inserted**.

6. Following the replacement, a zero adjustment must be performed and the calibration factor must be redetermined: **Menu/Operation/Manual operation/Determine zero point** and **/Determine calibration factor**.
7. Go back to the **MODE/Continue automatic mode** or **MODE/Start automatic mode** to start the normal measurement.

Shelf life

Reagent RN (prepared by the customer) 3 months
Ready-to-use reagents RK and RB 12 months

12.3.5 Carrying out zero adjustment

Replacing standard calibration solution with zero standard

1. If you have not already done so, set the manual mode.
2. Replace the standard with zero standard. Use either an additional hose in order to reconnect the standard calibration solution, or allow the hose to drain and dry the hose well.
3. Select **Menu/Operation /Maintenance/Bottle change mode/Bottle insertion/Bottle selection**.
4. Select **Standard S1** and press **OK** to confirm.
5. Select the **Confirm bottles inserted**.

Determining the zero point

1. Call up: **Menu/Operation/Manual operation/Determine zero point**.
2. Carry out zero adjustment.
3. Following successful calibration, the following message appears: "Do you want to accept the calibration data for adjustment?". Confirm with **OK**.


Using the standard calibration solution again

- Replace the zero standard with the standard.

 Recommendation: Afterwards, perform a manual calibration with the standard solution (**Determine calibration factor**).

Alternatively, the zero point and calibration factor can be determined in one step (**Determine zero point and calibr. factor**).

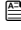
12.3.6 Replacing the hoses

1. Rinse the reagent and standard channels. →  145
2. Remove the bottles and the bottle tray.
3. Replace the hoses with hoses of the same diameter and length. Attach hose labels to the new hoses.
4. Place the bottle tray back into the housing.
5. Connect the bottles to the appropriate covers and hoses.
6. Select **Menu/Operation /Maintenance/Bottle change mode/Bottle insertion/Bottle selection**.
7. Select all the bottles and press **OK** to confirm.
8. Select the **Confirm bottles inserted**.

9. Press the **MODE** soft key and select **Continue automatic mode** or **Start automatic mode**.

Replacing the pump hose

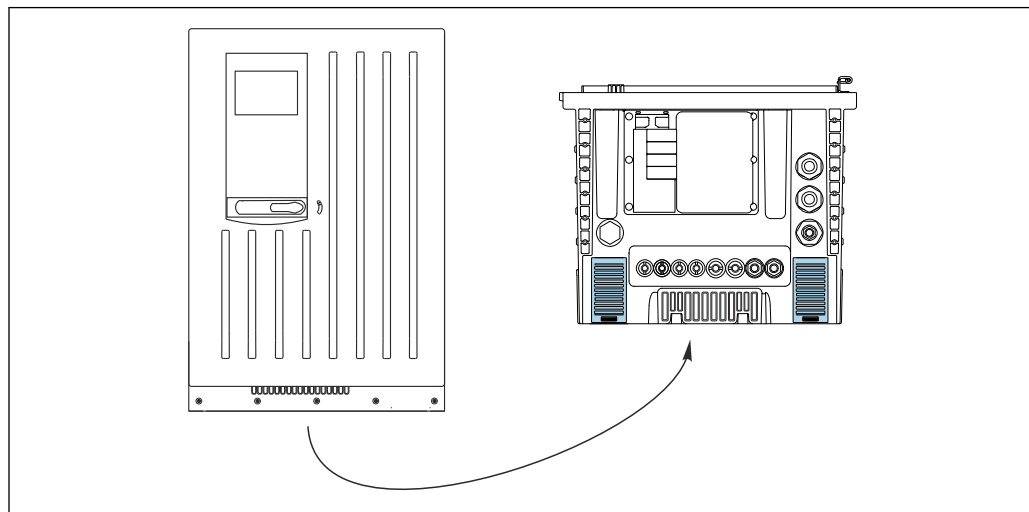
i The replacement of the pump hose is not part of routine maintenance activities. Only replace the pump hose when this is necessary.

1. Open the analyzer.
2. Stop the sample supply.
3. Rinse the reagent and standard channels. →  145
 - ↳ There should not be any more liquid left in the hoses.
4. Remove the bottles and the bottle tray.
5. Press the **MODE** soft key and select the **Manual mode**.
 - ↳ The display shows **Current mode- Manual**.
Wait until all operations have stopped. Ongoing operations can be stopped under **Menu/Operation/Manual operation**.
6. Open the bayonet lock of the peristaltic pump.
7. Replace the hose and, if necessary, replace the pump head.
8. Close the bayonet lock of the peristaltic pump.
9. Make sure all the hoses and connectors are seated correctly.
10. Place the bottle tray back into the housing.

12.3.7 Replacing filter mats

You require the following parts:

Filter mats (part of the CAV800 maintenance kit)



 77 Fan screen on the bottom


1. Open both fan screens and remove them.
 - ↳ The filter mats are located under the screens.
2. Remove the used filter mats and replace them with new ones from the maintenance kit.
3. Fit the fan screens back on.
4. Reset the operating hours counter for the mats: **Menu/Operation/Operating time filter mats/Reset**.

12.3.8 Replacing dispensers

You require the following parts:

- From the CAV800 maintenance kit:
 - 10 ml dispensers with adapter
- 1 pair of gloves that are resistant to the reagents used

Preparing to replace dispensers

1. Rinse the reagent and standard channels. →  145
2. Remove the bottles including the reagent hoses and the bottle tray.

Removing the dispensers

1. Open the dispenser holder by pressing both snap-fit hooks together and removing it.
2. Remove the adapter and the dispenser from the dispenser drive. To do so, hold the dispenser by the black block at the lower end and pull the block from the metal pin.

Inserting new dispensers

1. Make sure that the dispenser is connected correctly.
2. Slide the dispenser holder over the snap-fit hooks. Ensure that the holder snaps into place.
3. Place the bottle tray back into the housing.
4. Connect the reagent hoses to the corresponding reagent valves.
5. Select **Menu/Operation/Dispenser replacement/Dispenser selection**.
6. Select the dispensers that you have replaced and press **OK** to confirm.
7. Select the **Reset operating time**.
8. Select **Menu/Operation /Maintenance/Bottle change mode/Bottle insertion/Bottle selection**.
9. Select all the bottles and press **OK** to confirm.
10. Select the **Confirm bottles inserted**.
11. The system must be calibrated after a replacement routine. Select **Menu/Operation/Manual operation/Determine calibration factor**.
12. After the calibration go back to **MODE/Continue automatic mode** or **MODE/Start automatic mode**.

12.4 Taking out of service

Analyzer downtime without prior proper decommissioning

Can damage the device!

- ▶ If the analyzer is idle for more than 2 days, decommission it properly.

Activities while the analyzer is in operation

Risk of injury and infection from medium

- ▶ Before disconnecting hoses: Ensure that no action is running or about to start e.g. sample pumping.
- ▶ Wear protective clothing, goggles and gloves or take other suitable measures to protect yourself.
- ▶ Wipe up any spilt reagent with a disposable tissue and rinse with clear water. Then dry the cleaned areas with a cloth.

Follow this order:

1. Set manual mode.

2. Rinse the reagent and standard channels and empty the sample channels.
3. Empty the cuvette.

12.4.1 Setting the manual mode

Initial situation: The device is still in the automatic mode and you now want to take the device out of service.

1. Press the **MODE** soft key.
 - ↳ The current mode is displayed: **Automatic**
2. Select an action: **Manual mode**
 - ↳ The device changes to the manual mode.
3. Wait until all operations have stopped.
4. **Alternatively:**
Stop actions currently running under: **Menu/Operation/Manual operation.**
5. Shut off the inflow of sample at the place of installation.
6. Remove the supply hoses from the push-in connectors on the filters. Smaller amounts of sample may drip from the filters. Pay attention to liquid-sensitive devices in the vicinity.
7. Unscrew the lids from the reagent bottles and standard.
8. Seal the reagent bottles and standard with the lids supplied.
9. Dry the ends of the hoses with a clean paper towel.
10. Remove the bottle tray: Lift up the recessed grip slightly and pull it towards the front.

12.4.2 Rinsing the reagent and standard channels

1. Place the ends of the hoses (RB, RK, RN, S) into an empty plastic beaker.
2. Purge the hoses with air. Select: **Menu/Operation /Maintenance/Decommissioning/Empty hoses .**
 - ↳ The hoses are automatically purged with air and emptied. This process takes several minutes.
3. Rinse the hoses with water: Immerse all hoses (RB, RK, RN, S) in a beaker with approx. 500 ml (16.9 fl.oz) of distilled water.
4. Start rinsing: **Menu/Operation /Maintenance/Decommissioning/Rinse with water** must be selected.
 - ↳ The hoses are automatically rinsed and emptied. This process takes approx. 8 minutes.
5. Once the action is finished, remove the hoses from the beaker and dry them with a clean paper towel.
6. Place the ends of the hoses into an empty plastic beaker.
7. Purge the hoses again with air. Select: **Menu/Operation /Maintenance/Decommissioning/Empty hoses .**
 - ↳ The hoses are automatically purged with air and emptied. This process takes several minutes.

12.4.3 Emptying the sample hose

1-/2-channel device

1. Disconnect sample inlet hose SPx from the sample channel switching; Remove the connector nozzle of hose SPx from the outlet of the sample channel switching in the analyzer.
2. Fill the maintenance dispenser with air.
3. Slide the C-Flex hose of the maintenance dispenser onto the connector nozzle of hose SPx.
4. Drive air through the sample channel.
 - ↳ Any liquid remaining in the sample channel is driven into the cuvette.
5. Repeat steps 2 to 4 until the sample channel is empty.
6. Slide the connector nozzle of hose SPx back into the outlet at the sample channel switching in the analyzer.

4-/6-channel device

1. Disconnect sample inlet hose SPx from the sample inlet in the analyzer: remove hose SPx from the T-section downstream from sample channel switching.
2. Fill the maintenance dispenser with air.
3. Slide the C-Flex hose of the maintenance dispenser onto the end of hose SPx.
4. Drive air through the sample channel.
 - ↳ Any liquid remaining in the sample channel is driven into the cuvette.
5. Repeat steps 2 to 4 until the sample channel is empty.

12.4.4 Emptying the cuvette

1. Remove the cover in front of the cuvette.
2. Insert the maintenance dispenser together with the hose piece provided through the hole in the capillary holder of the cuvette.
3. Empty the cuvette completely.
4. Remove the magnetic stir bar and store it separately.

13 Repair

13.1 General notes

The repair and conversion concept provides for the following:

- The product has a modular design
- Spare parts are grouped into kits which include the associated kit instructions
- Only use original spare parts from the manufacturer
- Repairs are carried out by the manufacturer's Service Department or by trained users
- Certified devices can only be converted to other certified device versions by the manufacturer's Service Department or at the factory
- Observe applicable standards, national regulations, Ex documentation (XA) and certificates

1. Carry out the repair according to the kit instructions.
2. Document the repair and conversion and enter, or have entered, in the Life Cycle Management tool (W@M).

13.2 Spare parts

Device spare parts that are currently available for delivery can be found on the website:

<https://portal.endress.com/webapp/SparePartFinder>

- ▶ Quote the serial number of the device when ordering spare parts.

13.3 Return

The product must be returned if repairs or a factory calibration are required, or if the wrong product was ordered or delivered. As an ISO-certified company and also due to legal regulations, Endress+Hauser is obliged to follow certain procedures when handling any returned products that have been in contact with medium.

www.endress.com/support/return-material

13.4 Disposal

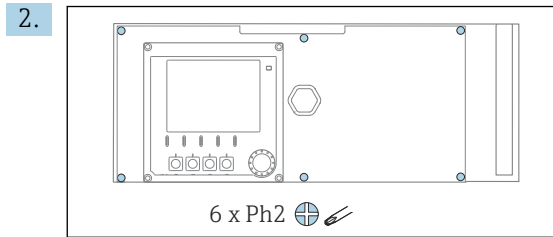


If required by the Directive 2012/19/EU on waste electrical and electronic equipment (WEEE), the product is marked with the depicted symbol in order to minimize the disposal of WEEE as unsorted municipal waste. Do not dispose of products bearing this marking as unsorted municipal waste. Instead, return them to the manufacturer for disposal under the applicable conditions.

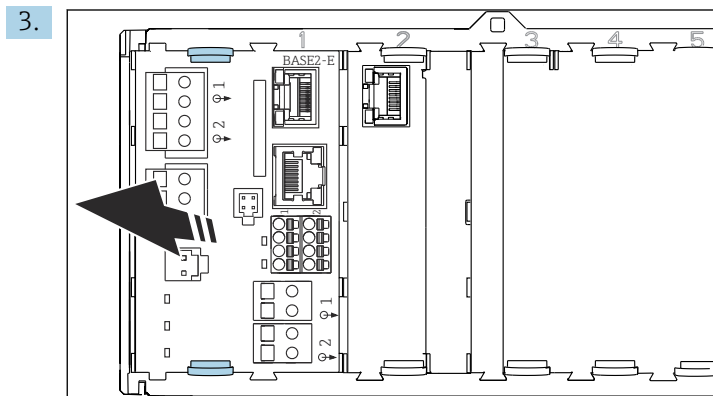
Battery disposal

A lithium button cell is located on the backplane of the controller. This must be removed as electronic waste prior to disposal of the device.

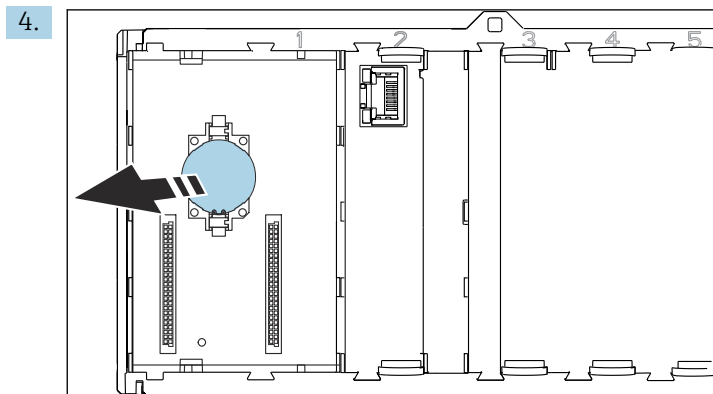
1. Disconnect the device from the power supply.



Release the six screws on the electronics compartment cover using a Phillips screwdriver and fold out the cover towards the front.



Press together the securing clips of the base module and pull them out of the base module.



Release the lithium button cell from the backplane and dispose of it according to local battery regulations.

Disposing of chemicals

CAUTION

Risk of injury if used reagents and reagent waste are disposed of incorrectly!

- ▶ Follow the instructions in the safety data sheets of the chemicals used.
- ▶ Observe the local regulations on disposal.

14 Accessories

The following are the most important accessories available at the time this documentation was issued.

Listed accessories are technically compatible with the product in the instructions.

1. Application-specific restrictions of the product combination are possible.
Ensure conformity of the measuring point to the application. This is the responsibility of the operator of the measuring point.
2. Pay attention to the information in the instructions for all products, particularly the technical data.
3. For accessories not listed here, please contact your Service or Sales Center.

14.1 Device-specific accessories

14.1.1 Installation accessories

Kit CA8x wall holder unit for reagents

- Collecting tray wall mounting
- Kit installation instructions
- Order No. 71422095

14.1.2 Consumables

1. <https://portal.endress.com/webapp/SparePartFinder>
2. Specify the serial number or product code.

The following consumables are available:
Reagents and standard solutions CY80SI

14.1.3 Sensors

pH glass electrodes

Memosens CPS11E

- pH sensor for standard applications in process and environmental engineering
- Digital with Memosens 2.0 technology
- Product Configurator on the product page: www.endress.com/cps11e

 Technical Information TI01493C

Memosens CPS41E

- pH sensor for process technology
- With ceramic junction and KCl liquid electrolyte
- Digital with Memosens 2.0 technology
- Product Configurator on the product page: www.endress.com/cps41e

 Technical Information TI01495C

Memosens CPS71E

- pH sensor for chemical process applications
- With ion trap for poison-resistant reference
- Digital with Memosens 2.0 technology
- Product Configurator on the product page: www.endress.com/cps71e

 Technical Information TI01496C

Memosens CPS91E

- pH sensor for heavily polluted media
- With open aperture
- Digital with Memosens 2.0 technology
- Product Configurator on the product page: www.endress.com/cps91e



Technical Information TI01497C

Memosens CPS31E

- pH sensor for standard applications in drinking water and swimming pool water
- Digital with Memosens 2.0 technology
- Product Configurator on the product page: www.endress.com/cps31e



Technical Information TI01574C

Ceramax CPS341D

- pH electrode with pH-sensitive enamel
- Meets highest demands of measuring accuracy, pressure, temperature, sterility and durability
- Product Configurator on the product page: www.endress.com/cps341d



Technical Information TI00468C

Memosens CPF81E

- pH sensor for mining operations, industrial water and wastewater treatment
- Digital with Memosens 2.0 technology
- Product Configurator on the product page: www.endress.com/cpf81e



Technical Information TI01594C

ORP electrodes**Memosens CPS12E**

- ORP sensor for standard applications in process and environmental engineering
- Digital with Memosens 2.0 technology
- Product Configurator on the product page: www.endress.com/cps12e



Technical Information TI01494C

Memosens CPS42E

- ORP sensor for process technology
- Digital with Memosens 2.0 technology
- Product Configurator on the product page: www.endress.com/cps42e



Technical Information TI01575C

Memosens CPS72E

- ORP sensor for chemical process applications
- Digital with Memosens 2.0 technology
- Product Configurator on the product page: www.endress.com/cps72e



Technical Information TI01576C

Memosens CPS92E

- ORP sensor for use in heavily polluted media
- Digital with Memosens 2.0 technology
- Product Configurator on the product page: www.endress.com/cps92e



Technical Information TI01577C

Memosens CPF82E

- ORP sensor for mining operations, industrial water and wastewater treatment
- Digital with Memosens 2.0 technology
- Product Configurator on the product page: www.endress.com/cpf82e



Technical Information TI01595C

Conductivity sensors with inductive measurement of conductivity**Indumax CLS50D**

- High-durability inductive conductivity sensor
- For standard and hazardous area applications
- With Memosens technology
- Product Configurator on the product page: www.endress.com/cls50d



Technical Information TI00182C

Conductivity sensors with conductive measurement of conductivity**Memosens CLS21E**

- Digital conductivity sensor for media with medium or high conductivity
- Conductive measurement
- With Memosens 2.0
- Product Configurator on the product page: www.endress.com/cls21e



Technical Information TI01528C

Oxygen sensors**Memosens COS51E**

- Amperometric oxygen sensor for water, wastewater and utilities
- Digital with Memosens 2.0 technology
- Product Configurator on the product page: www.endress.com/cos51e



Technical Information TI01620C

Memosens COS81E

- Hygienic optical oxygen sensor with maximum measurement stability over multiple sterilization cycles
- Digital with Memosens 2.0 technology
- Product Configurator on the product page: www.endress.com/cos81e



Technical Information TI01558C

Memosens COS22E

- Hygienic amperometric oxygen sensor with maximum measurement stability over multiple sterilization cycles
- Digital with Memosens 2.0 technology
- Product Configurator on the product page: www.endress.com/cos22e



Technical Information TI01619C

Chlorine dioxide and chlorine sensors**Memosens CCS50E**

- Membrane-covered amperometric sensor for chlorine dioxide
- With Memosens technology
- Product Configurator on the product page: www.endress.com/ccs50e



Technical Information TI01353C

Memosens CCS51E

- Sensor for measuring free available chlorine
- Product Configurator on the product page: www.endress.com/ccs51e



Technical Information TI01423C

Ion-selective sensors**ISEmax CAS40D**

- Ion selective sensors
- Product Configurator on the product page: www.endress.com/cas40d



Technical Information TI00491C

Turbidity sensors**Turbimax CUS51D**

- For nephelometric measurements of turbidity and solids in wastewater
- 4-beam scattered light method
- With Memosens technology
- Product Configurator on the product page: www.endress.com/cus51d



Technical Information TI00461C

Turbimax CUS52D

- Hygienic Memosens sensor for turbidity measurement in drinking water, process water and in utilities
- With Memosens technology
- Product Configurator on the product page: www.endress.com/cus52d



Technical Information TI01136C

SAC and nitrate sensors**Viomax CAS51D**

- SAC and nitrate measurement in drinking water and wastewater
- With Memosens technology
- Product Configurator on the product page: www.endress.com/cas51d



Technical Information TI00459C

Interface measurement**Turbimax CUS71D**

- Immersion sensor for interface measurement
- Ultrasonic interface sensor
- Product Configurator on the product page: www.endress.com/cus71d



Technical Information TI00490C

14.1.4 Cable junction with Velcro strip

- 4 pieces, for sensor cable
- Order No. 71092051

14.2 Communication-specific accessories

14.2.1 Additional functionality

- ▶ Always quote the serial number of your device when ordering activation codes.

| Order code | Communication; software |
|------------|---|
| 51516983 | Commubox FXA291 (hardware) |
| 71127100 | SD card with Liquiline Firmware, 1 GB, Industrial Flash Drive |
| XPC0018 | Activation code for EtherNet/IP + web server |
| XPC0020 | Activation code for Modbus TCP + web server |
| XPC0021 | Activation code for web server for BASE2 |
| XPC0022 | Activation code for PROFINET + web server for BASE2 |
| XPC0024 | Activation code for Profibus DP for module 485 |
| XPC0025 | Activation code for Modbus RS485 for module 485 |
| 71249548 | Kit CA80: activation code for 1st digital sensor input |
| 71249555 | Kit CA80: activation code for 2nd digital sensor input |

| | Retrofit kits |
|----------|---|
| 71136999 | Kit CSF48/CA80: retrofit service interface (CDI flange connector, counter nut) |
| 71111053 | Kit module AOR: 2 x relay, 2 x analog output 0/4 to 20 mA |
| 71125375 | Kit module 2R: 2 x relay |
| 71125376 | Kit module 4R: 4 x relay |
| 71135632 | Kit module 2AO: 2 x analog output 0/4 to 20 mA |
| 71135633 | Kit module 4AO: 4 x analog output 0/4 to 20 mA |
| 71135631 | Kit module 2DS: 2 x digital sensor, Memosens |
| 71135634 | Kit module 485: PROFIBUS DP or Modbus RS485. This requires an additional activation code which can be ordered separately. |
| 71135638 | Kit module DIO: 2 x digital input; 2 x digital output; auxiliary power supply for digital output |
| 71135639 | Kit module 2AI: 2 x analog input 0/4 to 20 mA |
| 71140888 | Upgrade kit module 485 + Profibus DP |
| 71140889 | Upgrade kit module 485 + Modbus RS485 |
| 71141366 | Kit, extension backplane module |

14.2.2 Software

Field Data Manager Software MS20/21

- PC software for central data management
- Visualization of series of measurements and logbook events
- SQL database for secure data storage

14.3 System components

14.3.1 Measuring cables

Memosens data cable CYK10

- For digital sensors with Memosens technology
- Product Configurator on the product page: www.endress.com/cyk10



Technical Information TI00118C

Memosens data cable CYK11

- Extension cable for digital sensors with Memosens protocol
- Product Configurator on the product page: www.endress.com/cyk11



Technical Information TI00118C

14.3.2 SD card

- Industrial Flash Drive, 1 GB
- Order number: 71110815

15 Technical data

15.1 Input

| | | |
|--|---|---|
| Measured variables | SiO ₂ [mg/l, µg/l, ppm, ppb] | |
| Measuring range | CA80SI-**AH*: CA80SI-**AJ*: | 0 to 500 µg/l (ppb) 0 to 5000 µg/l (ppb) |
| Types of input | <ul style="list-style-type: none"> ■ 1, 2, 4 or 6 measuring channels (analyzer main parameter) ■ 1 to 4 digital sensor inputs for sensors with Memosens protocol (optional) ■ Analog current inputs (optional) ■ Binary inputs (optional) | |
| Input signal | Depending on version 2 x 0/4 to 20 mA (optional), passive, potentially isolated | |
| Current input, passive | <p>Span > 0 to 20 mA</p> <p>Signal characteristic Linear</p> <p>Internal resistance Non-linear</p> <p>Test voltage 500 V</p> | |
| Cable specification (for optional sensors with Memosens technology) | <p>Cable type Memosens data cable CYK10 or sensor fixed cable, each with cable end sleeves or M12 round-pin connector (optional)</p> <p>Cable length Max. 100 m (330 ft)</p> | |

15.2 Output

| | | |
|---------------|---|--|
| Output signal | Depending on version: <ul style="list-style-type: none"> ■ 2 x 0/4 to 20 mA, active, potentially isolated (standard version) ■ 4 x 0/4 to 20 mA, active, potentially isolated (version with 2 additional analog outputs) ■ 6 x 0/4 to 20 mA, active, potentially isolated (version with 4 additional analog outputs) ■ Binary outputs | |
|---------------|---|--|

| PROFIBUS DP/RS485 | |
|--------------------------|--|
| Signal encoding | EIA/TIA-485, PROFIBUS DP-compliant acc. to IEC 61158 |
| Data transmission rate | 9.6 kBd, 19.2 kBd, 45.45kBd, 93.75 kBd, 187.5 kBd, 500 kBd, 1.5 MBd, 6 MBd, 12 MBd |
| Galvanic isolation | Yes |
| Connectors | Spring terminal (max. 1.5 mm), bridged internally (T-function), optional M12 |
| Bus termination | Internal slide switch with LED display |

| Modbus RS485 | |
|------------------------|--|
| Signal encoding | EIA/TIA-485 |
| Data transmission rate | 2,400, 4,800, 9,600, 19,200, 38,400, 57,600 and 115,200 baud |
| Galvanic isolation | Yes |
| Bus termination | Internal slide switch with LED display |

| Web server and Modbus TCP | |
|----------------------------------|----------------------------------|
| Signal encoding | IEEE 802.3 (Ethernet) |
| Data transmission rate | 10 / 100 MBd |
| Galvanic isolation | Yes |
| Connection | RJ45, M12 optional |
| IP address | DHCP or configuration using menu |

| EtherNet/IP | |
|------------------------|--|
| Signal encoding | IEEE 802.3 (Ethernet) |
| Data transmission rate | 10 / 100 MBd |
| Galvanic isolation | Yes |
| Connection | RJ45, M12 optional (D-encoded) |
| IP address | DHCP (default) or configuration via menu |

| PROFINET | |
|------------------------|--|
| Signal encoding | IEEE 802.3 (Ethernet) |
| Data transmission rate | 100 MBd |
| Galvanic isolation | Yes |
| Connection | RJ45 |
| Name of station | Via DCP protocol using the configuration tool (e.g. Siemens PRONETA) |
| IP address | Via DCP protocol using the configuration tool (e.g. Siemens PRONETA) |

| | |
|-----------------|--|
| Signal on alarm | Adjustable, as per NAMUR Recommendation NE 43 <ul style="list-style-type: none"> ■ In measuring range 0 to 20 mA: Failure current from 0 to 23 mA ■ In measuring range 4 to 20 mA: Failure current from 2.4 to 23 mA ■ Factory setting for failure current for both measuring ranges: 21.5 mA |
| Load | Max. 500 Ω |

| | |
|-----------------------|--------|
| Transmission behavior | Linear |
|-----------------------|--------|

15.3 Current outputs, active

| | |
|------|------------|
| Span | 0 to 23 mA |
|------|------------|

| | |
|-----------------------|--------|
| Signal characteristic | Linear |
|-----------------------|--------|

| | |
|--------------------------|--|
| Electrical specification | Output voltage Max. 24 V Test voltage 500 V |
|--------------------------|--|

| | |
|---------------------|---|
| Cable specification | Cable type Recommended: shielded cable Cable specification Max. 2.5 mm ² (14 AWG) |
|---------------------|---|

15.4 Relay outputs

| | |
|--------------------------|---|
| Electrical specification | Relay types <ul style="list-style-type: none"> ■ 1 single-pin changeover contact (alarm relay) ■ 2 or 4 single-pin changeover contacts (optional with extension modules) Maximum load <ul style="list-style-type: none"> ■ Alarm relay: 0.5 A ■ All other relays: 2.0 A Relay switching capacity |
|--------------------------|---|

Base module (Alarm relay)

| Switching voltage | Load (max.) | Switching cycles (min.) |
|---------------------------|-------------|-------------------------|
| 230 V AC, cosΦ = 0.8 to 1 | 0.1 A | 700,000 |
| | 0.5 A | 450,000 |
| 115 V AC, cosΦ = 0.8 to 1 | 0.1 A | 1,000,000 |
| | 0.5 A | 650,000 |
| 24 V DC, L/R = 0 to 1 ms | 0.1 A | 500,000 |
| | 0.5 A | 350,000 |

Extension module

| Switching voltage | Load (max.) | Switching cycles (min.) |
|---------------------------------|-------------|-------------------------|
| 230 V AC, $\cos\Phi = 0.8$ to 1 | 0.1 A | 700,000 |
| | 0.5 A | 450,000 |
| | 2 A | 120,000 |
| 115 V AC, $\cos\Phi = 0.8$ to 1 | 0.1 A | 1,000,000 |
| | 0.5 A | 650,000 |
| | 2 A | 170,000 |
| 24 V DC, L/R = 0 to 1 ms | 0.1 A | 500,000 |
| | 0.5 A | 350,000 |
| | 2 A | 150,000 |

Minimum load (typical)

- Min. 100 mA at 5 V DC
- Min. 1 mA at 24 V DC
- Min. 5 mA at 24 V AC
- Min. 1 mA at 230 V AC

15.5 Protocol-specific data

| PROFIBUS DP | |
|-----------------------------------|---|
| Manufacturer ID | 11 _h |
| Device type | 155E _h |
| Profile version | 3.02 |
| Device database files (GSD files) | www.endress.com/profibus Device Integration Manager DIM |
| Output variables | 16 AI blocks, 8 DI blocks |
| Input variables | 4 AO blocks, 8 DO blocks |
| Supported features | <ul style="list-style-type: none"> ▪ 1 MSCY0 connection (cyclical communication, master class 1 to slave) ▪ 1 MSAC1 connection (acyclical communication, master class 1 to slave) ▪ 2 MSAC2 connections (acyclical communication, master class 2 to slave) ▪ Device lock: The device can be locked using the hardware or software. ▪ Addressing using DIL switches or software ▪ GSD, PDM DD, DTM |

| Modbus RS485 | |
|--------------------------------------|---|
| Protocol | RTU/ASCII |
| Function codes | 03, 04, 06, 08, 16, 23 |
| Broadcast support for function codes | 06, 16, 23 |
| Output data | 16 measured values (value, unit, status), 8 digital values (value, status) |
| Input data | 4 setpoints (value, unit, status), 8 digital values (value, status), diagnostic information |
| Supported features | Address can be configured using switch or software |

Modbus TCP

| | |
|--------------------------------------|---|
| TCP port | 502 |
| TCP connections | 3 |
| Protocol | TCP |
| Function codes | 03, 04, 06, 08, 16, 23 |
| Broadcast support for function codes | 06, 16, 23 |
| Output data | 16 measured values (value, unit, status), 8 digital values (value, status) |
| Input data | 4 setpoints (value, unit, status), 8 digital values (value, status), diagnostic information |
| Supported features | Address can be configured using DHCP or software |

Ethernet/IP

| | | |
|--------------------|-------------------------------------|--|
| Log | EtherNet/IP | |
| ODVA certification | Yes | |
| Device profile | Generic device (product type: 0x2B) | |
| Manufacturer ID | 0x049E _h | |
| Device type ID | 0x109F | |
| Polarity | Auto-MIDI-X | |
| Connections | CIP | 12 |
| | I/O | 6 |
| | Explicit message | 6 |
| | Multicast | 3 consumers |
| Minimum RPI | 100 ms (default) | |
| Maximum RPI | 10000 ms | |
| System integration | EtherNet/IP | EDS |
| | Rockwell | Add-on-Profile Level 3, Faceplate for Factory Talk SE |
| IO data | Input (T → O) | Device status and diagnostic message with highest priority Measured values: <ul style="list-style-type: none"> ▪ 16 AI (analog input) + Status + Unit ▪ 8 DI (discrete input) + Status |
| | Output (O → T) | Actuating values: <ul style="list-style-type: none"> ▪ 4 AO (analog output) + status + unit ▪ 8 DO (discrete output) + Status |

| | | |
|---------------------|--|--|
| PROFINET | Protocol | "Application layer protocol for decentral device periphery and distributed automation", PNIO Version 2.34 |
| | Communication type | 100 MBit/s |
| | Conformance Class | Conformance Class B |
| | Netload Class | Netload Class II |
| | Baud rate | Automatic 100 Mbps with full-duplex detection |
| | Cycle times | From 32 ms |
| | Device profile | Application interface identifier 0xF600 Generic device |
| | PROFINET interface | 1 port, Realtime Class 1 (RT_CLASS_1) |
| | Manufacturer ID | 0x11 _h |
| | Device type ID | 0x859F _h |
| | Device description files (GSD) | Information and files under: <ul style="list-style-type: none"> ▪ www.endress.com On the product page for the device: Documents/Software → Device drivers ▪ www.profibus.com On the website under Products/Product Finder |
| | Polarity | Auto-polarity for automatic correction of crossed TxD and RxD pairs |
| | Supported connections | <ul style="list-style-type: none"> ▪ 1 x AR (IO Controller AR) ▪ 1 x AR (IO-Supervisor Device AR connection allowed) ▪ 1 x Input CR (Communication Relation) ▪ 1 x Output CR (Communication Relation) ▪ 1 x Alarm CR (Communication Relation) |
| | Configuration options for measuring device | <ul style="list-style-type: none"> ▪ Web browser ▪ Manufacturer-specific software (FieldCare, DeviceCare) ▪ Device master file (GSD), can be read out via the integrated web server of the measuring device |
| | Configuration of the device name | DCP protocol |
| Supported functions | <ul style="list-style-type: none"> ▪ Identification & maintenance Simple device identification via: <ul style="list-style-type: none"> ▪ Process control system ▪ Nameplate ▪ Measured value status The process variables are communicated with a measured value status ▪ Blinking feature (FLASH_ONCE) via the local display for simple device identification and assignment ▪ Device operation via operating tools (e.g. FieldCare, DeviceCare) | |
| System integration | For information on system integration, see the Operating Instructions <ul style="list-style-type: none"> ▪ Cyclic data transmission ▪ Overview and description of the modules ▪ Status coding ▪ Startup configuration ▪ Factory setting | |

Web server The web server enables full access to the device configuration, measured values, diagnostic messages, logbooks and service data via standard WiFi/WLAN/LAN/GSM or 3G routers with a user-defined IP address.

| | |
|--------------------|---|
| TCP port | 80 |
| Supported features | <ul style="list-style-type: none"> ▪ Remote-controlled device configuration(1 session) ▪ Save/restore device configuration (via SD card) ▪ Logbook export (file formats: CSV, FDM) ▪ Access to web server via DTM or Internet Explorer ▪ Login ▪ Web server can be switched off |

15.6 Power supply

Supply voltage

- 100 to 120 V AC / 200 to 240 V AC
- 50 or 60 Hz

Fieldbus connection Supply voltage: not applicable


Power consumption For a sample flow rate of 80 ml/min (2.7 fl oz/min), a continuous measuring interval (10 minutes), a sample temperature of 25 °C (77 °F), an ambient temperature of 25 °C (77 °F) and a device with a supply voltage of 230 V:

- Typically 60 VA
- Max. 1250 VA

Cable entries

- 4 x bores for M16, G3/8, NPT3/8", Memosens connection ⁴⁾
- 4 x bores for M20, G1/2, NPT1/2"

| Cable gland | Permitted cable diameter |
|--|----------------------------|
| M16x1.5 mm | 4 to 8 mm (0.16 to 0.32") |
| M12x1.5 mm (for order version M12 socket for Memosens sensors) | 2 to 5 mm (0.08 to 0.20") |
| M20x1.5 mm | 6 to 12 mm (0.24 to 0.48") |
| NPT ³ / ₈ " | 4 to 8 mm (0.16 to 0.32") |
| G ³ / ₈ | 4 to 8 mm (0.16 to 0.32") |
| NPT ¹ / ₂ " | 6 to 12 mm (0.24 to 0.48") |
| G ¹ / ₂ | 7 to 12 mm (0.28 to 0.48") |

 Cable glands mounted at the factory are tightened with 2 Nm.

4)

Sensor connection
(optional)*Sensors with Memosens protocol*

| Sensor types | Sensor cable | Sensors |
|---|---|---|
| Digital sensors without additional internal power supply | With plug-in connection and inductive signal transmission | <ul style="list-style-type: none"> ▪ pH sensors ▪ ORP sensors ▪ Combined sensors ▪ Oxygen sensors (amperometric and optical) ▪ Conductivity sensors with conductive measurement of conductivity ▪ Chlorine sensors (disinfection) |
| | Fixed cable | Conductivity sensors with inductive measurement of conductivity |
| Digital sensors with additional internal power supply | Fixed cable | <ul style="list-style-type: none"> ▪ Turbidity sensors ▪ Sensors for interface measurement ▪ Sensors for measuring the spectral absorption coefficient (SAC) ▪ Nitrate sensors ▪ Optical oxygen sensors ▪ Ion-sensitive sensors |

15.7 Performance characteristics

| | | |
|--------------------------------------|---------------------------|--|
| Maximum measured error ⁵⁾ | Concentrations < 200 µg/l | 1.0 µg/l (ppb) or 2% of measured value (typically) |
| | Concentrations ≥ 200 µg/l | 5 % of measured value (typically) |

Maximum measurement error for sensor inputs → Documentation of the connected sensor

Maximum measurement error for current inputs and outputs

Typical measured errors:

- < 20 µA (with current values < 4 mA)
- < 50 µA (with current values 4 to 20 mA)

at 25 °C (77° F) in each case

Additional measured error depending on the temperature:

- < 1.5 µA/K

LOD (limit of detection) 0.5 µg/l (ppb)

| | | |
|-----------------------------|----------------------------|---|
| Repeatability ⁵⁾ | Concentrations < 500 µg/l: | 0.5 µg/l (ppb) or ± 1 % of measured value |
| | Concentrations ≥ 500 µg/l: | 1% of measured value |

Repeatability of sensor inputs → Documentation of the connected sensor

Measuring interval

- Continuous (approx. 10 min), adjustable ≥ 10 min
- Factory setting: 20 min

Sample requirement > 140 ml (4.73 fl oz)/measurement, depending on flow

5) According to ISO 15839 with standard solutions. Measurement errors include all the uncertainties of the analyzer. They do not include the uncertainties from the standard solutions used as a reference.

| | |
|----------------------|--|
| Reagent requirement | <ul style="list-style-type: none"> ■ 200 µl per reagent and measurement ⁶⁾ for measuring intervals ≥ 15 minutes ■ Given a measuring interval of 20 min, one set of reagents (1000 ml) lasts for approx. 65 days ■ Given a measuring interval of 12 min, one set of reagents (2500 ml) lasts for approx. 100 days |
| Standard requirement | <ul style="list-style-type: none"> ■ Approx. 140 ml (4.73 fl.oz) / calibration ■ With a 2.5 l (84.5 fl.oz) standard bottle and calibration interval of 96 h approx. 65 days ■ With a 5 l (169 fl.oz) standard bottle and calibration interval of 96 h approx. 130 days |
| Calibration interval | 1 to 99 days, depending on application and ambient conditions |
| Maintenance interval | Every 3 to 6 months, depending on the application |
| Maintenance effort | Weekly: visual inspection |

15.8 Environment

| | |
|---|---|
| Ambient temperature range | +5 to +40 °C (41 to 104 °F) |
| Storage temperature | -20 to 60 °C (-4 to 140 °F) |
| Relative humidity | 10 to 95 %, non-condensing |
| Degree of protection | IP55 (cabinet, analyzer stand), TYPE 3R (cabinet, analyzer stand) |
| Electromagnetic compatibility ⁷⁾ | Interference emission and interference immunity as per EN 61326-1, class A for industrial areas |
| Electrical safety | According to EN/IEC 61010-1:2010, Class I equipment Low voltage: overvoltage category II For installations up to 2000 m (6500 ft) above MSL |
| Pollution degree | Pollution level 2 |

15.9 Process

| | |
|-------------------------|---------------------------|
| Sample temperature | 5 to 45 °C (41 to 113 °F) |
| Process pressure (abs.) | 2 to 6 bar (29 to 87 psi) |

6) We recommend the large reagent set 3 x 2.5 l + 1 x 5 l for measuring intervals < 15 minutes. We recommend the small reagent set 3 x 1 l + 1 x 2.5 l

7) Sufficient mains quality is required to operate the product as designated.

Recommended: 2.5 to 4 bar (36.3 to 58 psi)

Sample flow rate 60 to 250 ml/min (2.0 to 8.5 fl.oz/min)
Recommended: 70 ml/min (2.4 fl.oz/min)

Consistency of the sample Particle-free

15.10 Mechanical construction

Dimensions →  15

| Weight | Order | Weight |
|--------|-------------------|------------------|
| | Cabinet version | 40 kg (88.2 lbs) |
| | Open installation | 32 kg (70.6 lbs) |
| | Analyzer stand | 73 kg (161 lbs) |

Materials

| Parts not in contact with medium | |
|------------------------------------|---------------------------|
| Cabinet version, exterior cover | ASA + PC |
| Open installation, exterior cover | |
| Cabinet version, interior lining | PP |
| Open installation, interior lining | |
| Window | Safety glass, coated |
| Reagent container | PP |
| Insulation | EPP (extruded PP) |
| Base, analyzer stand | Powder-coated sheet steel |

| Parts in contact with medium | |
|-----------------------------------|---|
| Pressure relief valve | <ul style="list-style-type: none"> ■ EPDM ■ POM ■ Stainless steel 1.4401 |
| Flow sensor | <ul style="list-style-type: none"> ■ FKM ■ PP ■ PVDF |
| Filter | <ul style="list-style-type: none"> ■ Stainless steel 1.4408 ■ PTFE |
| Capillary holder | PC, black |
| Cuvette | PMMA |
| Sample channel switching | <ul style="list-style-type: none"> ■ Manifold: PVC ■ Valves: EPDM, PPS |
| Sample pre-heating (heating coil) | Stainless steel 1.4301 |

| | |
|--|---|
| Hoses | <ul style="list-style-type: none"> ■ C-Flex ■ NORPRENE ■ PEEK ■ Polyurethane ■ PTFE ■ PVC |
| Plug-in connector (John-Guest plug-in connector) | POM |

| | | |
|--------------------|-----------------|--|
| Process connection | Sample inlet: | Plug-in connector for rigid hoses with OD 6 mm |
| | Sample outlet: | Plug-in connector for rigid hoses with OD 8 mm |
| | Cuvette outlet: | Hose barb for flexible hoses with ID 13 mm |

| | |
|--------------|---|
| Hose entries | 4 x bores for M32 for sample inflow and outflow |
|--------------|---|

Index

A

| | |
|----------------------------------|-----|
| Accessories | |
| For installation | 156 |
| Reagent set | 156 |
| Sensors | 156 |
| Standard solution | 156 |
| Activation code | 67 |
| Adapting the diagnostic behavior | 122 |
| Additional functions | |
| Cleaning programs | 106 |
| Controller | 99 |
| Limit switch | 92 |
| Mathematical functions | 111 |
| Time switch | 96 |
| Address | 14 |
| Alarm relay | 86 |
| Ambient temperature | 170 |
| Analyzer | |
| Additional functions | 92 |
| Binary inputs and outputs | 75 |
| Configuration | 51 |
| Configuration menu | 68 |
| Connecting | 25 |
| Current inputs | 74 |
| Current outputs | 83 |
| Ethernet/IP | 91 |
| Installing | 18 |
| Integrating into the system | 37 |
| Modbus | 91 |
| Power-up | 51 |
| Relays | 86 |
| Signal outputs | 83 |
| Assignment views | 55 |

B

| | |
|-----------------|----|
| Base mounting | 19 |
| Base settings | 55 |
| Basic setup | 51 |
| Bus address | 35 |
| Bus termination | 34 |

C

| | |
|--|----------|
| Cable entries | 168 |
| Cable specification | 162, 168 |
| Calculated pH value | 115 |
| Change the password | 67 |
| Check | |
| Connection | 36 |
| Installation | 24 |
| Installation and function | 50 |
| Chemoclean | 32, 107 |
| Chemoclean Plus | 108 |
| Chlorine control with feedforward control | 76 |
| Cleaning | |
| Cleaning the cuvette and magnetic stir bar | 145 |
| Housing | 144 |

| | |
|----------------------|---------|
| Cleaning cycle | 110 |
| Cleaning function | 90 |
| Cleaning programs | |
| Chemoclean | 107 |
| Chemoclean Plus | 108 |
| Manual cleaning | 111 |
| Standard cleaning | 107 |
| Combined chlorine | 115 |
| Commissioning | |
| Basic setup | 51 |
| Power-up | 51 |
| Steps | 44 |
| Configuration | |
| Binary inputs | 80 |
| Binary outputs | 81 |
| Configure | |
| Actions | 42 |
| Numerical values | 42 |
| Picklists | 42 |
| Tables | 43 |
| User-defined text | 42 |
| Connection | |
| Analyzer | 25 |
| Cable entries | 168 |
| Check | 36 |
| Fieldbus | 33 |
| Hose entries | 172 |
| Optional modules | 30 |
| Sensors | 29 |
| Supply voltage | 168 |
| Web server | 37, 39 |
| Controller | 87, 99 |
| Controller structure | 99 |
| Current inputs | 74, 162 |
| Current outputs | 83, 164 |

D

| | |
|-------------------------------------|-----|
| Data management | 65 |
| Date | 56 |
| Degassed conductivity | 113 |
| Degree of protection | 170 |
| Description of the product | 9 |
| Design of the product | 9 |
| Device architecture | 11 |
| Device drivers | 37 |
| Device status | 54 |
| Device variables | 90 |
| Device-specific diagnostic messages | 124 |
| Device-specific errors | 120 |
| Diagnostic messages | |
| Adapting | 122 |
| Classification | 122 |
| Device-specific | 124 |
| Fieldbus | 121 |
| Local display | 121 |
| Outputting via the relay | 89 |

| | |
|--------------------|---------|
| Sensor-specific | 130 |
| Web browser | 121 |
| Diagnostic modules | 119 |
| Diagnostics list | 130 |
| Dimensions | 15, 171 |
| Display | 54 |
| Disposal | 154 |
| Documentation | 6 |
| DTM | 37 |
| Dual conductivity | 114 |

E

| | |
|-----------------------------------|-----------------|
| Electrical safety | 170 |
| Electromagnetic compatibility | 170 |
| Ensuring the degree of protection | 36 |
| Ethernet/IP | 40, 64, 91, 166 |
| Event logbook | 131 |
| Exporting the setup | 66 |
| Extended setup | 61 |

F

| | |
|------------------|-----|
| Fieldbus | |
| Termination | 34 |
| Firmware history | 141 |
| Firmware update | 65 |
| Formula | 116 |
| Function check | 50 |

H

| | |
|--------------------------------|-----|
| Hardware settings | 34 |
| Hold settings | 56 |
| Hook and loop Velcro fasteners | 159 |
| Hose connection diagram | 45 |
| Hose entries | 172 |

I

| | |
|-------------------------|-----|
| Identifying the product | 13 |
| Incoming acceptance | 13 |
| Input signal | 162 |
| Inputs | |

| | |
|----------------|----|
| Binary | 75 |
| Current inputs | 74 |
| Installation | 18 |
| Check | 24 |
| Conditions | 15 |
| Location | 17 |
| Intended use | 7 |

L

| | |
|----------------------------------|---------|
| Laplace representation | 99 |
| Limit switch | 87, 92 |
| Loading the setup | 66 |
| Locking/unlocking operating keys | 41 |
| Logbooks | 57, 131 |

M

| | |
|----------------------|-----|
| Magnetic stir bar | 48 |
| Maintenance | 143 |
| Maintenance work | 144 |
| Manipulated variable | 87 |

| | |
|------------------------|----------|
| Manual mode | 144, 152 |
| Materials | 171 |
| Mathematical functions | 111 |
| Calculated pH value | 115 |
| Combined chlorine | 115 |
| Degassed conductivity | 113 |
| Difference | 111 |
| Dual conductivity | 114 |
| Formula | 116 |
| Redundancy | 112 |
| rH value | 113 |
| Measured variables | 162 |

Measuring instrument

| | |
|-----------------------------|----|
| Configuration | 51 |
| Connecting | 25 |
| Installing | 18 |
| Integrating into the system | 37 |
| Power-up | 51 |

| | |
|----------------|----|
| Measuring mode | 54 |
|----------------|----|

| | |
|-----------------|-----|
| Measuring range | 162 |
|-----------------|-----|

| | |
|------------------|----|
| Measuring system | 10 |
|------------------|----|

Menu

| | |
|---------------------------|--------|
| Additional functions | 92 |
| Analyzer | 55, 68 |
| Binary inputs and outputs | 75 |
| Current inputs | 74 |
| Current outputs | 83 |
| Ethernet/IP | 91 |
| Maintenance | 144 |
| Modbus | 91 |
| Relays | 86 |
| Signal outputs | 83 |

| | |
|--------|---|
| Misuse | 7 |
|--------|---|

| | |
|--------|------------|
| Modbus | 40, 63, 91 |
|--------|------------|

| | |
|--------------|-----|
| Modbus RS485 | 165 |
|--------------|-----|

| | |
|------------|----|
| Connection | 33 |
|------------|----|

| | |
|------------|-----|
| Modbus TCP | 166 |
|------------|-----|

N

| | |
|-----------|----|
| Nameplate | 13 |
|-----------|----|

O

| | |
|----------------------------|-----|
| Operating language | 51 |
| Operating menu | 41 |
| Operating time information | 141 |

Operation

| | |
|---------------------------|----|
| Additional functions | 92 |
| Analyzer | 68 |
| Binary inputs and outputs | 75 |
| Current inputs | 74 |
| Current outputs | 83 |
| Display | 54 |
| Ethernet/IP | 91 |
| General settings | 55 |
| Modbus | 91 |
| Relays | 86 |
| Signal outputs | 83 |

| | |
|--------------------|---|
| Operational safety | 7 |
|--------------------|---|

- Output
 Output signal 162
 Relay outputs 164
- Outputs
 Binary 75
 Current outputs 83
 Ethernet/IP 91
 Modbus 91
 PROFIBUS DP 90
 PROFINET 90
 Relays 86
 Signal outputs 83
- P**
- Pollution degree 170
Port assignment 11
Power consumption 168
Power supply 168
 Cable entries 168
 Cable specification 168
 Connecting optional modules 30
 Connecting the analyzer 25
 Fieldbus 33
 Hose entries 172
 Power consumption 168
 Sensor connection 29
 Supply voltage 168
- Power-up 51
Process errors without messages 120
Product description 9
Product design 9
Product security 8
- PROFIBUS
 Connection 33
- PROFIBUS DP 40, 62, 165
 Device variables 90
 PROFIBUS variables 91
- PROFINET 40, 167
 Device variables 90
 PROFINET variables 91
- Protocol-specific data 165
- R**
- Reagent set 156
Reagents 52
Reasonably foreseeable misuse 7
Relative humidity 170
Relays 86
Repair 154
- Replacing
 Dispensers 151
 Filter mats 150
 Hoses 149
 Reagents 148
- Requirements concerning personnel 7
Reset 141
Return 154
rH value 113
- Rinsing
 Reagent and standard channels 145
 Routing the cable in the connection compartment 25
- S**
- Safety
 Operation 7
 Workplace safety 7
- Safety instructions 7
Sample flow 52
Saving the setup 66
Scope of delivery 14
SD card 161
- Security
 IT 8
 Product 8
- Sensor information 137
Sensor-specific diagnostic messages 130
Service interface 39
- Settings
 Additional functions 92
 Analyzer 68
 Binary inputs and outputs 75
 Current inputs 74
 Current outputs 83
 Diagnostics 61
 Ethernet/IP 64, 91
 Extended 61
 General 55
 Hardware 34
 Modbus 63, 91
 Operating language 51
 PROFIBUS DP 62
 Relays 86
 Signal outputs 83
 Web server 63
- Signal outputs 83
Simulation 138
Slot assignment 11
Soft keys in measuring mode 54
Spare parts 154
Standard cleaning 107
Standard solution 156
Standards 52
State-of-the-art 8
Storage temperature 170
Supply voltage 168
Symbols 5
System information 136
System integration
 Fieldbus 40
 Service interface 39
 Web server 37
System test 139
- T**
- Taking out of service 151
Technical data
 Environment 170

| | |
|---|---------|
| Input | 162 |
| Mechanical construction | 171 |
| Output | 162 |
| Process | 170 |
| Protocol-specific data | 165 |
| Relay outputs | 164 |
| Technical personnel | 7 |
| Terminal diagram | 11 |
| Time | 56 |
| Time switch | 96 |
| Troubleshooting | 120 |
| Diagnostic information | 121 |
| General troubleshooting | 120 |
| Types of cleaning | 107 |
| Types of input | 162 |
| U | |
| Use | 7 |
| User operation | |
| Access to operating menu via on-site display | 41 |
| Configure | 42 |
| Integrating the measuring instrument into the system | 37 |
| W | |
| Wall mounting | 18 |
| Warnings | 5 |
| Web server | 63, 168 |
| Weight | 171 |
| Workplace safety | 7 |
| Z | |
| Zero adjustment | 149 |



www.addresses.endress.com
