

Installation Instructions


Cover, cover seal, cover securing screw

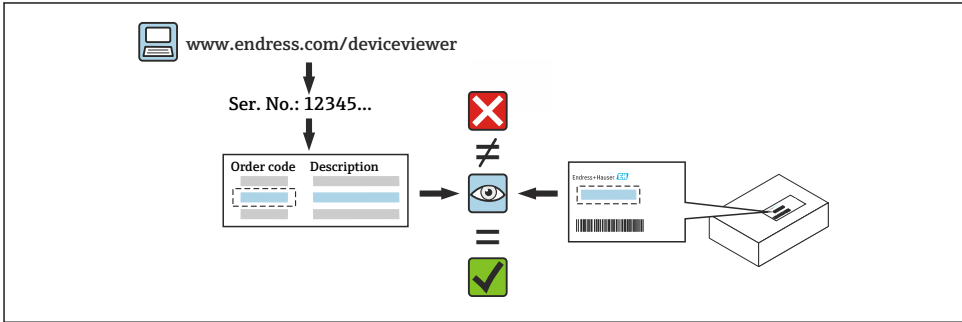
Gammapilot, Liquiphant, Micropilot, Prothermo
Cerabar, Deltabar, Prowirl L
Remote display FHX50B



1 Intended use

- A defective unit can only be replaced with a functioning unit of the same type.
- Use only original parts from Endress+Hauser.
- In the W@M Device Viewer, check if the spare part is suitable for the existing device.


 In some devices, an overview of spare parts is provided inside the device. If the spare part set is listed in the overview, it is not necessary to check the Device Viewer.



2 Personnel authorized to carry out repairs

Technical staff must comply with the following requirements for repair, mounting, electrical installation and commissioning of the devices:


- Be trained in instrument safety.
- Be familiar with the individual operating conditions of the devices.
- In the case of Ex-certified devices, they must also be trained in explosion protection.

 Technical staff carrying out work are responsible for ensuring that the work is carried out safely and to the required quality standard. They must also guarantee the safety of the device following repair.

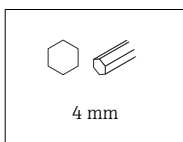
3 Safety instructions

- Observe the Operating Instructions for the device.
- Comply with national regulations governing mounting, electrical installation, commissioning, maintenance and repair procedures.
- For devices intended for use in hazardous locations, please observe the instructions in the Ex documentation (XA).
- In the case of devices in safety-related applications in accordance with IEC 61508 or IEC 61511: Commission in accordance with Operating Instructions after repair.
- Before removing the device: set the process to a safe state and purge the pipe of dangerous process substances.

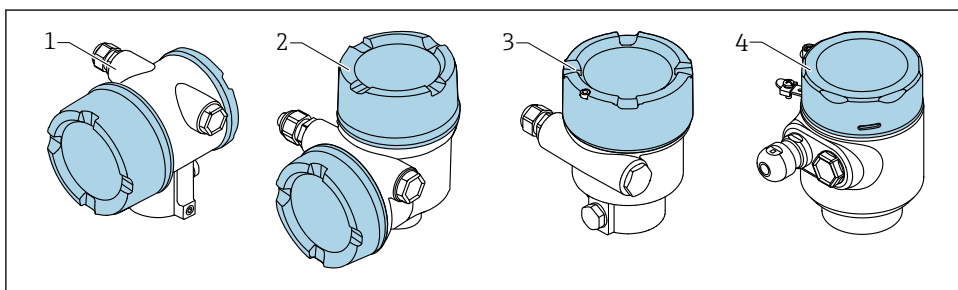
- Risk of burns from hot surfaces! Before commencing work: allow the system and device to cool down to a touchable temperature.
- Risk of damaging electronic components! Ensure that the working environment is protected against electrostatic discharge.
- Modifications to the device are not permitted.
- Observe the instructions for transporting and returning the device outlined in the Operating Instructions.

 For information on service and spare parts, contact your Endress+Hauser sales center.

4 Tool list



5 Housing version



- 1 Dual-compartment housing
- 2 Dual-compartment housing, L-form
- 3 Single-compartment housing
- 4 Single-compartment housing, 316L hygiene

6 Removal

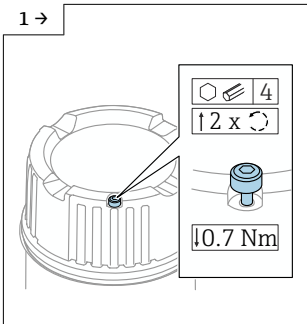


For devices with a cover lock, please note the following:

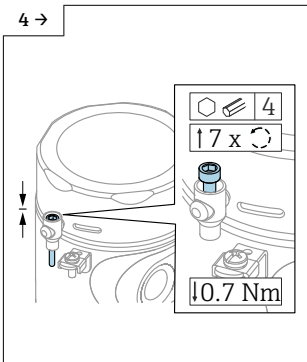
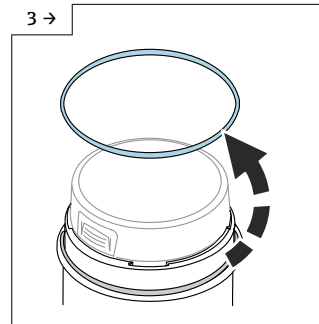
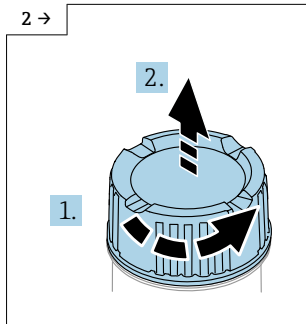
The securing screw must not protrude over the lower edge of the cover (does not apply to 316L single-compartment housing, hygiene). Note the position of the securing screw before and while screwing the cover on.

6.1 Single-compartment housing and dual-compartment housing

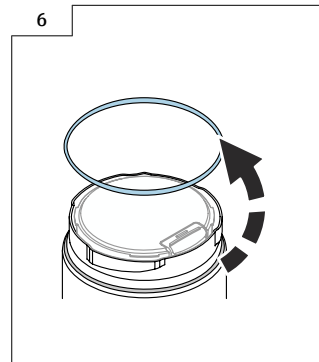
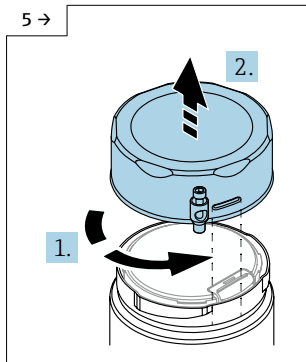
Disassembling the cover securing screw, cover and cover seal



► Optional: cover lock

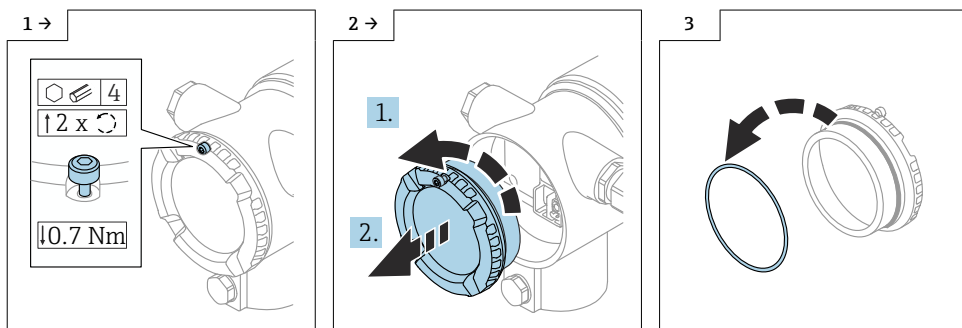


► Optional: cover lock on single-compartment housing, 316L hygiene



6.2 Dual-compartment housing, (not L-form)

Disassembling the cover securing screw, cover and cover seal



7 Installation

7.1 General installation instructions

Installation is performed by following the removal procedure in reverse order.



71697115

www.addresses.endress.com
