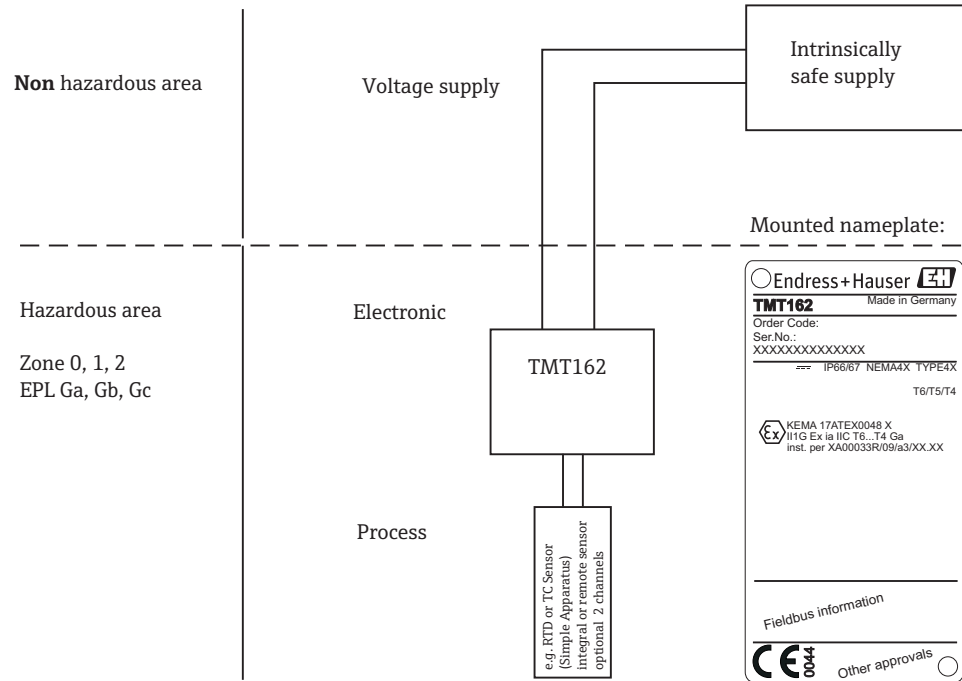
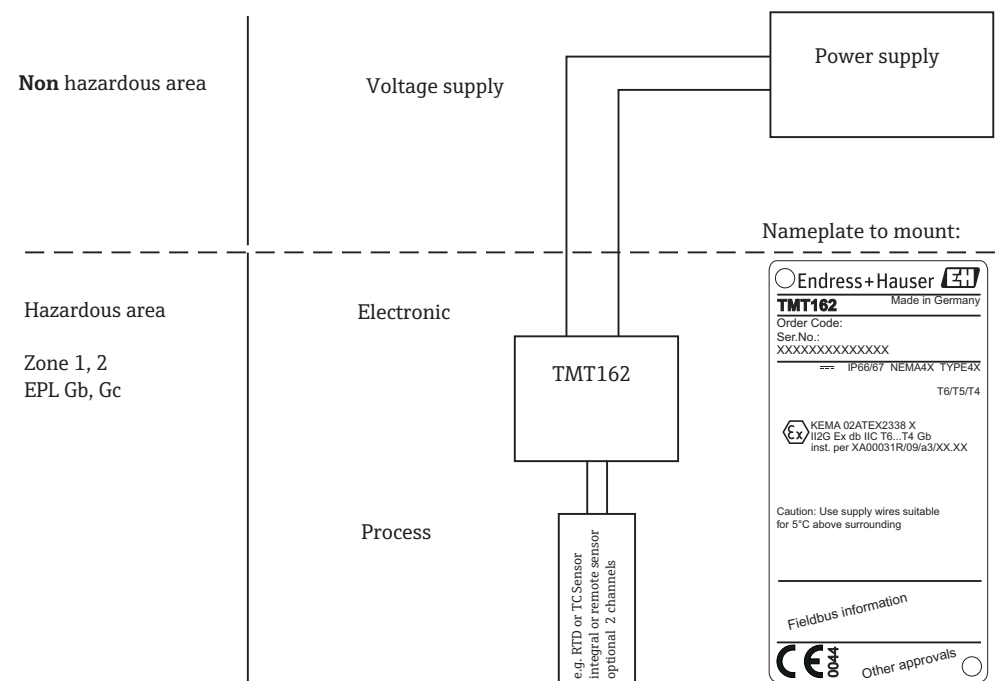


Installation type of protection "Intrinsic safety" Ex ia



Installation type of protection "Explosion proof" Ex d



Safety instructions:

Installation Ex ia

These notes are to be followed only in the case when the installed type of protection "Intrinsically safe" Ex ia is to be guaranteed:

- Please take note of the safety instructions (XA00033R/09/a3 for KEMA 17ATEX0048 X or XA01688T/09/A3 for EPS 17 ATEX 1 131 X) for "Intrinsically safe" Ex ia installation.
- Once the system has been installed as "Intrinsically safe" Ex ia it is possible to use the system as an **EXPLOSION PROOF** transmitter with the II2G Ex db IIC T6...T4 Gb approval marking.

Installation Ex d

These notes are to be followed only in the case when the installed type of protection "Explosion proof" Ex d is to be guaranteed:

- Mount the name plate with the identifier: II2G Ex db IIC T6...T4 Gb



Warning!

- Once the system has been installed as "Explosion proof" Ex d it is no longer possible to use the system as an intrinsically safe transmitter with the II1G Ex ia IIC T6...T4 Ga approval marking.
- Please take note of the safety instructions (XA00031R/09/a3) for "Explosion proof" Ex d installation.
- Please dispose of name plate: II1G Ex ia IIC T6...T4 Ga

Approved	Pfanzelt	Date (yyyy-mm-dd)	2011-08-04		10000004314	Dwg.rev.	B	Revision no.	-	Revision date (yyyy-mm-dd)	2018-05-22	Name	MP	Material	71404875	Endress+Hauser	
Volume (mm³)	Designed	Pfanzelt	Date (yyyy-mm-dd)	2011-08-03	Unit	TMT162	Scale	1:1	Title			Safety instructions		Series			
Refer to protection notice ISO 16016	Edge of working parts ISO 13715	Geometrical tolerancing ISO 2768-mH-E	Part No.				Format	A4	XA01025R/09/EN/03.18			Objekt version	Sheet	1 of 1			
														Endress + Hauser Wetzer GmbH+Co. KG Nesselwang / Germany			