


Installation Instructions

Replacing amplifier board

Promag 50, 51, 53, 55, Promass 40, 80, 83, 84,
Cubemass DCI 8CN, CNGmass DCI 8DF,
Prosonic Flow 90, 93, t-mass 65

EN Installation Instructions: EA00064D →  3

DE Einbauanleitung: EA00064D →  15

Replacement of amplifier board

Promag 50, 51, 53, 55, Promass 40, 80, 83, 84, Cubemass DCI 8CN, CNGmass DCI 8DF, Prosonic Flow 90, 93, t-mass 65

Table of contents

1	Overview of spare part sets	4
2	Designated use	7
3	Personnel authorized to carry out repairs	7
4	Safety instructions	8
5	Symbols used	10
6	Tools list	10
7	Backing up data	11
8	Opening the field housing, stainless steel field housing, wall-mount housing	11

1 Overview of spare part sets

The Installation Instructions apply to the following spare part sets:

Order number	Original spare part set	Contents
50106073	Set, amplifier 50, WEA	1 × amplifier board
50106074	Set, amplifier 50, EES	1 × amplifier board
50106075	Set, amplifier 50 SEA	1 × amplifier board
50106076	Set, amplifier 50, WEA, Ex	1 × amplifier board Ex
50106077	Set, amplifier 50, EES, Ex	1 × amplifier board Ex
50106078	Set, amplifier 50, ECC, WEA	1 × amplifier board
50106079	Set, amplifier 50, ECC, WEA	1 × amplifier board
50106080	Set, amplifier EES 50, ECC, EES	1 × amplifier board
50106081	Set, amplifier 50, ECC, SEA	1 × amplifier board
50106082	Set, amplifier 51, WEA	1 × amplifier board
50106083	Set, amplifier 51, EES	1 × amplifier board
50106084	Set, amplifier 51, SEA	1 × amplifier board
50106085	Set, amplifier 53, WEA	1 × amplifier board
50106086	Set, amplifier 53, EES	1 × amplifier board
50106087	Set, amplifier 53, SEA	1 × amplifier board
50106088	Set, amplifier 53, WEA, Ex	1 × amplifier board Ex
50106089	Set, amplifier 53, EES, Ex	1 × amplifier board
50106090	Set, amplifier 53, SEA, Ex	1 × amplifier board
50106091	Set, amplifier 40, WEA, Ex	1 × amplifier board Ex
50106094	Set, amplifier 80, WEA, Ex	1 × amplifier board Ex
50106095	Set, amplifier 80, EES, Ex	1 × amplifier board Ex
50106096	Set, amplifier 80, SEA, Ex	1 × amplifier board Ex
50106097	Set, amplifier 83, 8ME, WEA, Ex	1 × amplifier board Ex
50106098	Set, amplifier 83, EES, Ex	1 × amplifier board Ex
50106099	Set, amplifier 83, SEA, Ex	1 × amplifier board Ex
50106100	Set, amplifier 90, WEA	1 × amplifier board
50106101	Set, amplifier 90, EES	1 × amplifier board
50106102	Set, amplifier 90, SEA	1 × amplifier board
50108133	Set, amplifier 53, CN	1 × amplifier board
50108134	Set, amplifier 53, CN, Ex	1 × amplifier board Ex

Order number	Original spare part set	Contents
50108135	Set, amplifier 83, CN, Ex	1 × amplifier board Ex
50108694	Set, amplifier 84, CN, Ex	1 × amplifier board Ex
50108695	Set, amplifier 84, WEA, Ex	1 × amplifier board Ex
50108696	Set, amplifier 84, EES, Ex	1 × amplifier board Ex
50108697	Set, amplifier 84, SEA, Ex	1 × amplifier board Ex
71008429	Set, amplifier 65 compact version, Ex	1 × amplifier board Ex
71008430	Set, amplifier 65, remote version, Ex	1 × amplifier board Ex
71029343	Set, amplifier 55, WEA	1 × amplifier board
71029344	Set, amplifier 55, ESS	1 × amplifier board
71029345	Set, amplifier 55, SEA	1 × amplifier board
71029346	Set, amplifier Promag 55, CN	1 × amplifier board
71093780	Set, amplifier 93, 1 channel, WEA, Ex	1 × amplifier board Ex
71093781	Set, amplifier 93, 1 channel, EES, Ex	1 × amplifier board Ex
71093783	Set, amplifier 93, 1 channel, SEA, Ex	1 × amplifier board Ex
71093785	Set, amplifier 93, 1 channel, CN, Ex	1 × amplifier board Ex
71093786	Set, amplifier 93, 2 channel, WEA, Ex	1 × amplifier board Ex
71093787	Set, amplifier 93, 2 channel, EES, Ex	1 × amplifier board Ex
71093788	Set, amplifier 93, 2 channel, SEA, Ex	1 × amplifier board Ex
71093789	Set, amplifier 93, 2 channel, CN, Ex	1 × amplifier board Ex
71093790	Set, amplifier 93, 1 channel/2 channel -40 °C/-40 °F, WEA, Ex	1 × amplifier board Ex
71093791	Set, amplifier 93, 1 channel/2 channel -40 °C/-40 °F, EES, Ex	1 × amplifier board Ex
71093792	Set, amplifier 93, 1 channel/2 channel -40 °C/-40 °F, SEA, Ex	1 × amplifier board Ex
71093793	Set, amplifier 93, 1 channel/2 channel -40 °C/-40 °F, CN, Ex	1 × amplifier board Ex
71106645	Set, amplifier Cubemass DCI, WEA, Ex	1 × amplifier board Ex
71106649	Set, amplifier Cubemass DCI, EES, Ex	1 × amplifier board Ex
71106653	Set, amplifier Cubemass DCI, SEA, Ex	1 × amplifier board Ex
71106656	Set, amplifier Cubemass DCI, CN, Ex	1 × amplifier board Ex
71106660	Set, amplifier CNGmass DCI, WEA, Ex	1 × amplifier board Ex
71106662	Set, amplifier CNGmass DCI, EES, Ex	1 × amplifier board Ex
71106664	Set, amplifier CNGmass DCI, SEA, Ex	1 × amplifier board Ex

Order number	Original spare part set	Contents
71106666	Set, amplifier CNGmass DCI, CN, Ex	1 × amplifier board Ex
71261676	Set, amplifier 53, HART 7, DE + FR + IT + ES + EN, Ex	1 × amplifier board Ex
71261680	Set, amplifier 53, HART 7, DE + FR + IT + ES + EN	1 × amplifier board
71261684	Set, amplifier 53, HART 7, RU + NL + PT + CS + EN, Ex	1 × amplifier board Ex
71261686	Set, amplifier 53, HART 7, RU + NL + PT + CS + EN	1 × amplifier board
71261688	Set, amplifier 53, HART 7, ZH + PL + ID + EN, Ex	1 × amplifier board Ex
71261690	Set, amplifier 53, HART 7, ZH + PL + D + EN	1 × amplifier board
71261693	Set, amplifier 53, HART 7, JA + SV + NO + FI + EN	1 × amplifier board
71261695	Set, amplifier 83, HART 7, DE + FR + IT + ES + EN, Ex	1 × amplifier board Ex
71261697	Set, amplifier 83, HART 7, RU + NL + PT + CS + EN, Ex	1 × amplifier board Ex
71261699	Set, amplifier 83, HART 7, ZH + PL + ID + EN, Ex	1 × amplifier board Ex
71261701	Set, amplifier 83, HART 7, JA + SV + NO + F I+ EN	1 × amplifier board



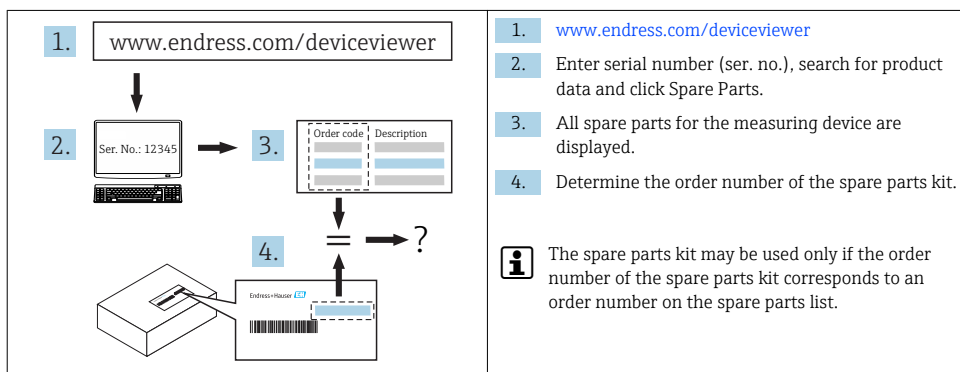
- The order number of the spare parts set (on the product label on the package) can differ from the production number (on the label directly on the spare part)!
- You can find the order number of the relevant spare parts set by entering the production number of the spare part in the spare parts search tool.
- We recommend that you keep the Installation Instructions and packaging together at all times.

2 Designated use

The spare part sets and Installation Instructions are used to replace a faulty unit with a functioning unit of the same type. Only original parts from Endress+Hauser may be used. Only spare parts kits designed by Endress+Hauser for the measuring device can be used at any time.

Inspection is performed using the W@M Device Viewer. The procedure involved is described as follows.

i A spare parts overview is located in the interior of some measuring devices. If the spare parts kit is specified on this list, no inspection is required.



3 Personnel authorized to carry out repairs

Authorization to carry out repairs depends on the measuring device's approval type. The table below shows the authorized group of people in each case.

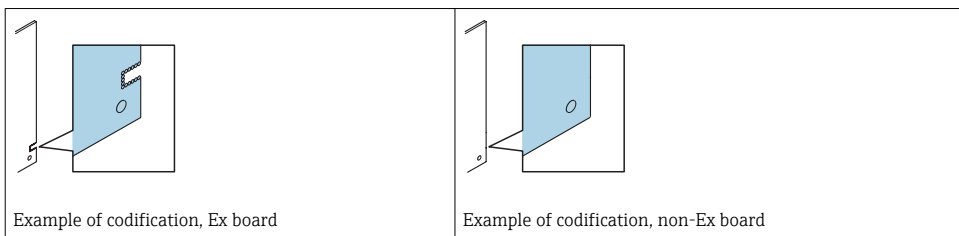
i Whoever carries out the repairs has full responsibility to ensure that work is carried out safely and to the required quality standard. He/she must also guarantee the safety of the device following repair.

Measuring device approval	Personnel authorized to perform repairs ¹⁾
Without approval	1, 2, 3
With approval (e.g. IECEx)	1, 2, 3
For custody transfer	4

- 1) 1 = Qualified specialist on customer side, 2 = Service technician authorized by Endress+Hauser, 3 = Endress+Hauser (return measuring device to manufacturer)
4 = Check with local approval center if installation/modification must be performed under supervision.

4 Safety instructions

- Check whether the spare part matches the labeling on the measuring device as described on the cover page.
- The spare part sets and Installation Instructions are used to replace a faulty unit with a functioning unit of the same type.
Only use original parts from Endress+Hauser.
- Comply with national regulations governing mounting, electrical installation, commissioning, maintenance and repair procedures.
- The following requirements must be met with regard to specialized technical staff for the mounting, electrical installation, commissioning, maintenance and repair of the measuring devices:
 - Specialized technical staff must be trained in instrument safety.
 - They must be familiar with the individual operating conditions of the devices.
 - In the case of Ex-certified measuring devices, they must also be trained in explosion protection.
- The measuring device is energized! Risk of fatal injury from electric shock. Open the measuring device only when the device is deenergized.
- When using Ex-certified measuring devices: Open device only when in a deenergized state (allow 10 minutes to elapse after switching off the power supply) or in environments which do not have a potentially explosive atmosphere.
- In the case of measuring devices in safety-related applications in accordance with IEC 61508 or IEC 61511: Commission in accordance with Operating Instructions after repair. Document the repair procedure.
- Before removing the device: set the process to a safe state and purge the pipe of dangerous process substances.
- Hot surfaces! Risk of injury! Before commencing work: Allow the system and measuring device to cool down to a touchable temperature.
- In the case of devices in custody transfer, the custody transfer status no longer applies once the seal has been removed.
- The Operating Instructions for the device must be followed.
- Risk of damaging the electronic components! Ensure you have a working environment protected from electrostatic discharge.
- After removal of the electronics compartment cover: risk of electrical shock due to missing touch protection!
Turn instrument off before removing internal covers.
- Modifications to the measuring device are not permitted.
- Only open housing for a brief period. Avoid the penetration of foreign bodies, moisture or contaminants.
- Printed circuit boards for devices in categories II1G, II1D, II 2G, II 2D, Zone 1 and Class I, Div. 1, Gp. A, B, C, D have a recess / printed circuit board codification. Unauthorized breaking of this codification is not permitted as explosion protection will then no longer apply.







- **Caution!** When replacing the amplifier board, I/O board or submodules, ensure compatibility with the installed software. The procedure for reading out the software version number is described in the Operating Instructions (device functions). If the printed circuit board's software is not compatible, an update must be performed using an operating software tool (e.g. Field Care). Notify the plant operator in the event of functional changes.
- Replace defect seals only with original seals from Endress+Hauser.
- If threads are damaged or defective, the measuring device must be repaired.
- Threads (e.g. of the electronics compartment cover and connection compartment cover) must be lubricated if an abrasion-proof dry lubricant is not available. Use acid-free, non-hardening lubricant.
- If spacing is reduced or the dielectric strength of the measuring device cannot be guaranteed during repair work, perform a test on completion of the work (e.g. high-voltage test in accordance with the manufacturer's instructions).
- Service plug:
 - Do not connect in explosive atmospheres.
 - Only connect to Endress+Hauser service devices.
- Observe the instructions for transporting and returning the device outlined in the Operating Instructions.






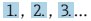
If you have any questions, please contact your [Endress+Hauser service organization](#).

5 Symbols used

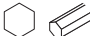



5.1 Safety symbols

Symbol	Meaning
	DANGER! This symbol alerts you to a dangerous situation. Failure to avoid this situation will result in serious or fatal injury.
	WARNING! This symbol alerts you to a dangerous situation. Failure to avoid this situation can result in serious or fatal injury.
	CAUTION! This symbol alerts you to a dangerous situation. Failure to avoid this situation can result in minor or medium injury.
	NOTE! This symbol contains information on procedures and other facts which do not result in personal injury.

5.2 Symbols for certain types of information

Symbol	Meaning
	Permitted Procedures, processes or actions that are permitted.
	Forbidden Procedures, processes or actions that are forbidden.
	Tip Indicates additional information.
	Series of steps

6 Tools list

				Pen/tool Ø ≤ 2 mm (0.08 in)
3 mm	T20	PH2	8 mm	

Acid-free, non-hardening lubricant

7 Backing up data

7.1 Promag 50, Promass 80

i Read out important device parameters from the application (e.g. using the "Commissioning" quick setup, see the Operating Instructions for the device).

7.2 Promag 53, 55, Promass 83, 84

i Save important transmitter parameters to the T-DAT using the "T-DAT SAVE/LOAD" parameter.

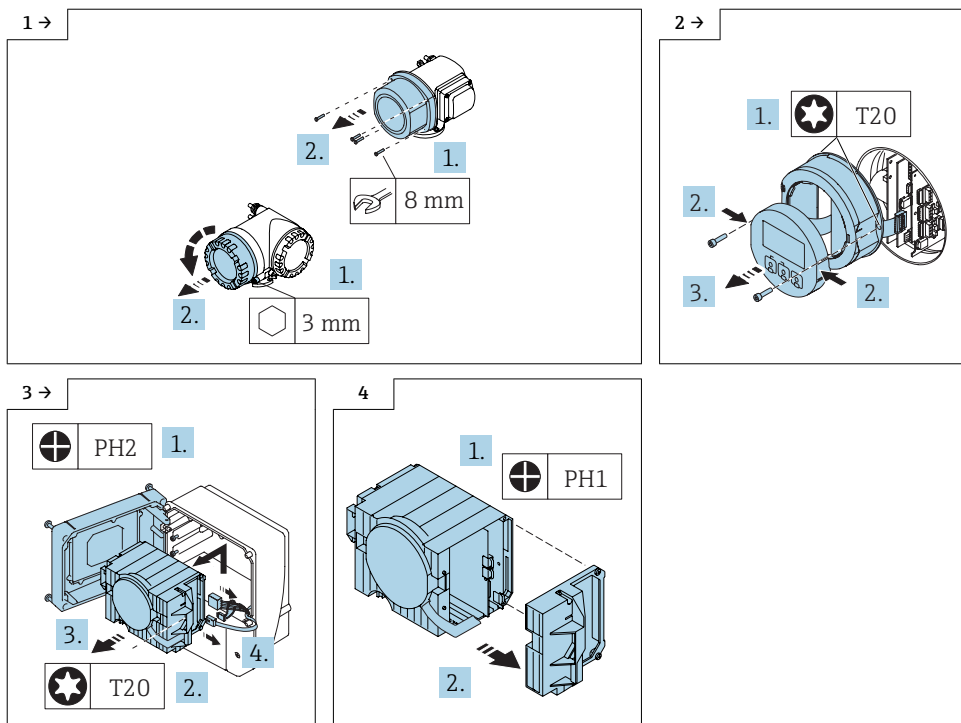
8 Opening the field housing, stainless steel field housing, wall-mount housing

⚠ WARNING


The measuring device is energized!

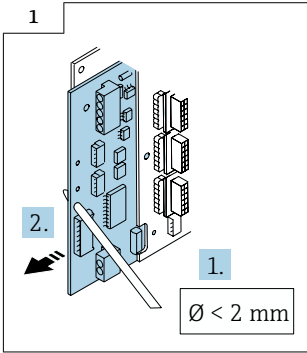
Risk of fatal injury from electric shock.

► Open the measuring device only when the device is de-energized.



8.1 Removing the amplifier board

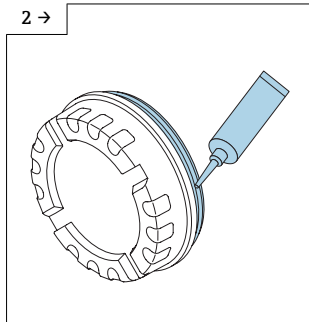
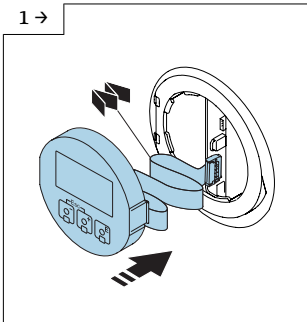
Proceed as described in Section 8 →  11 and as illustrated in the diagram below.



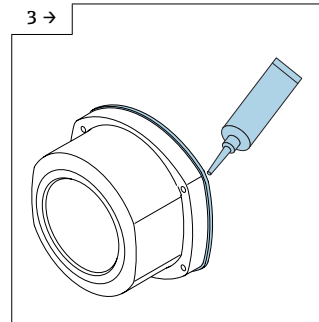
8.2 Reassembling the transmitter housing

Reassembly is carried out in reverse order.

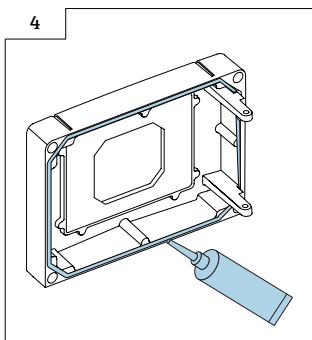
Note the following:



► Acid-free, non-hardening lubricant



► Acid-free, non-hardening lubricant



- ▶ Acid-free, non-hardening lubricant

Austausch Messverstärkerplatine

Promag 50, 51, 53, 55, Promass 40, 80, 83, 84, Cubemass DCI 8CN,
CNGmass DCI 8DF, Prosonic Flow 90, 93, t-mass 65

Inhaltsverzeichnis

1	Übersicht Ersatzteilsets	16
2	Bestimmungsgemäße Verwendung	19
3	Reparaturberechtigte Personen	19
4	Sicherheitshinweise	20
5	Verwendete Symbole	22
6	Werkzeugliste	22
7	Gerätedaten sichern	23
8	Öffnen Feldgehäuse, Edelstahlfeldgehäuse, Wandaufbaugeschäuse	23

1 Übersicht Ersatzteilsets

Die Einbauanleitung ist für folgende Ersatzteilsets gültig:

Bestellnummer	Original Ersatzteilset	Inhalt
50106073	Set Messverstärker 50, WEA	1 × Messverstärkerplatine
50106074	Set Messverstärker 50, EES	1 × Messverstärkerplatine
50106075	Set Messverstärker 50 SEA	1 × Messverstärkerplatine
50106076	Set Messverstärker 50, WEA, Ex	1 × Messverstärkerplatine Ex
50106077	Set Messverstärker 50, EES, Ex	1 × Messverstärkerplatine Ex
50106078	Set Messverstärker 50, ECC, WEA	1 × Messverstärkerplatine
50106079	Set Messverstärker 50, ECC, WEA	1 × Messverstärkerplatine
50106080	Set Messverstärker EES 50, ECC, EES	1 × Messverstärkerplatine
50106081	Set Messverstärker 50, ECC, SEA	1 × Messverstärkerplatine
50106082	Set Messverstärker 51, WEA	1 × Messverstärkerplatine
50106083	Set Messverstärker 51, EES	1 × Messverstärkerplatine
50106084	Set Messverstärker 51, SEA	1 × Messverstärkerplatine
50106085	Set Messverstärker 53, WEA	1 × Messverstärkerplatine
50106086	Set Messverstärker 53, EES	1 × Messverstärkerplatine
50106087	Set Messverstärker 53, SEA	1 × Messverstärkerplatine
50106088	Set Messverstärker53, WEA, Ex	1 × Messverstärkerplatine Ex
50106089	Set Messverstärker 53, EES, Ex	1 × Messverstärkerplatine
50106090	Set Messverstärker 53, SEA, Ex	1 × Messverstärkerplatine
50106091	Set Messverstärker40, WEA, Ex	1 × Messverstärkerplatine Ex
50106094	Set Messverstärker 80, WEA, Ex	1 × Messverstärkerplatine Ex
50106095	Set Messverstärker 80, EES, Ex	1 × Messverstärkerplatine Ex
50106096	Set Messverstärker 80, SEA, Ex	1 × Messverstärkerplatine Ex
50106097	Set Messverstärker 83, 8ME, WEA, Ex	1 × Messverstärkerplatine Ex
50106098	Set Messverstärker 83, EES, Ex	1 × Messverstärkerplatine Ex
50106099	Set Messverstärker 83, SEA, Ex	1 × Messverstärkerplatine Ex
50106100	Set Messverstärker 90, WEA	1 × Messverstärkerplatine
50106101	Set Messverstärker 90, EES	1 × Messverstärkerplatine
50106102	Set Messverstärker 90, SEA	1 × Messverstärkerplatine
50108133	Set Messverstärker 53, CN	1 × Messverstärkerplatine
50108134	Set Messverstärker 53, CN, Ex	1 × Messverstärkerplatine Ex

Bestellnummer	Original Ersatzteilset	Inhalt
50108135	Set Messverstärker 83, CN, Ex	1 × Messverstärkerplatine Ex
50108694	Set Messverstärker 84, CN, Ex	1 × Messverstärkerplatine Ex
50108695	Set Messverstärker 84, WEA, Ex	1 × Messverstärkerplatine Ex
50108696	Set Messverstärker 84, EES, Ex	1 × Messverstärkerplatine Ex
50108697	Set Messverstärker 84, SEA, Ex	1 × Messverstärkerplatine Ex
71008429	Set Messverstärker 65 Kompaktausführung, Ex	1 × Messverstärkerplatine Ex
71008430	Set Messverstärker 65, Getrenntausführung, Ex	1 × Messverstärkerplatine Ex
71029343	Set Messverstärker 55, WEA	1 × Messverstärkerplatine
71029344	Set Messverstärker 55, ESS	1 × Messverstärkerplatine
71029345	Set Messverstärker 55, SEA	1 × Messverstärkerplatine
71029346	Set Messverstärker Promag 55, CN	1 × Messverstärkerplatine
71093780	Set Messverstärker 93, 1 Kanal, WEA, Ex	1 × Messverstärkerplatine Ex
71093781	Set Messverstärker 93, 1 Kanal, EES, Ex	1 × Messverstärkerplatine Ex
71093783	Set Messverstärker 93, 1 Kanal, SEA, Ex	1 × Messverstärkerplatine Ex
71093785	Set Messverstärker 93, 1 Kanal, CN, Ex	1 × Messverstärkerplatine Ex
71093786	Set Messverstärker 93, 2 Kanal, WEA, Ex	1 × Messverstärkerplatine Ex
71093787	Set Messverstärker 93, 2 Kanal, EES, Ex	1 × Messverstärkerplatine Ex
71093788	Set Messverstärker 93, 2 Kanal, SEA, Ex	1 × Messverstärkerplatine Ex
71093789	Set Messverstärker 93, 2 Kanal, CN, Ex	1 × Messverstärkerplatine Ex
71093790	Set Messverstärker 93, 1 Kanal/2 Kanal -40 °C/-40 °F, WEA, Ex	1 × Messverstärkerplatine Ex
71093791	Set Messverstärker 93, 1 Kanal/2 Kanal -40 °C/-40 °F, EES, Ex	1 × Messverstärkerplatine Ex
71093792	Set Messverstärker 93, 1 Kanal/2 Kanal -40 °C/-40 °F, SEA, Ex	1 × Messverstärkerplatine Ex
71093793	Set Messverstärker 93, 1 Kanal/2 Kanal -40 °C/-40 °F, CN, Ex	1 × Messverstärkerplatine Ex
71106645	Set Messverstärker Cubemass DCI, WEA, Ex	1 × Messverstärkerplatine Ex
71106649	Set Messverstärker Cubemass DCI, EES, Ex	1 × Messverstärkerplatine Ex
71106653	Set Messverstärker Cubemass DCI, SEA, Ex	1 × Messverstärkerplatine Ex
71106656	Set Messverstärker Cubemass DCI, CN, Ex	1 × Messverstärkerplatine Ex
71106660	Set Messverstärker CNGmass DCI, WEA, Ex	1 × Messverstärkerplatine Ex
71106662	Set Messverstärker CNGmass DCI, EES, Ex	1 × Messverstärkerplatine Ex
71106664	Set Messverstärker CNGmass DCI, SEA, Ex	1 × Messverstärkerplatine Ex

Bestellnummer	Original Ersatzteilset	Inhalt
71106666	Set Messverstärker CNGmass DCI, CN, Ex	1 × Messverstärkerplatine Ex
71261676	Set Messverstärker 53, HART 7, DE + FR + IT + ES + EN, Ex	1 × Messverstärkerplatine Ex
71261680	Set Messverstärker 53, HART 7, DE + FR + IT + ES + EN	1 × Messverstärkerplatine
71261684	Set Messverstärker 53, HART 7, RU + NL + PT + CS + EN, Ex	1 × Messverstärkerplatine Ex
71261686	Set Messverstärker 53, HART 7, RU + NL + PT + CS + EN	1 × Messverstärkerplatine
71261688	Set Messverstärker 53, HART 7, ZH + PL + ID + EN, Ex	1 × Messverstärkerplatine Ex
71261690	Set Messverstärker 53, HART 7, ZH + PL + D + EN	1 × Messverstärkerplatine
71261693	Set Messverstärker 53, HART 7, JA + SV + NO + FI + EN	1 × Messverstärkerplatine
71261695	Set Messverstärker 83, HART 7, DE + FR + IT + ES + EN, Ex	1 × Messverstärkerplatine Ex
71261697	Set Messverstärker 83, HART 7, RU + NL + PT + CS + EN, Ex	1 × Messverstärkerplatine Ex
71261699	Set Messverstärker 83, HART 7, ZH + PL + ID + EN, Ex	1 × Messverstärkerplatine Ex
71261701	Set Messverstärker 83, HART 7, JA + SV + NO + F I+ EN	1 × Messverstärkerplatine



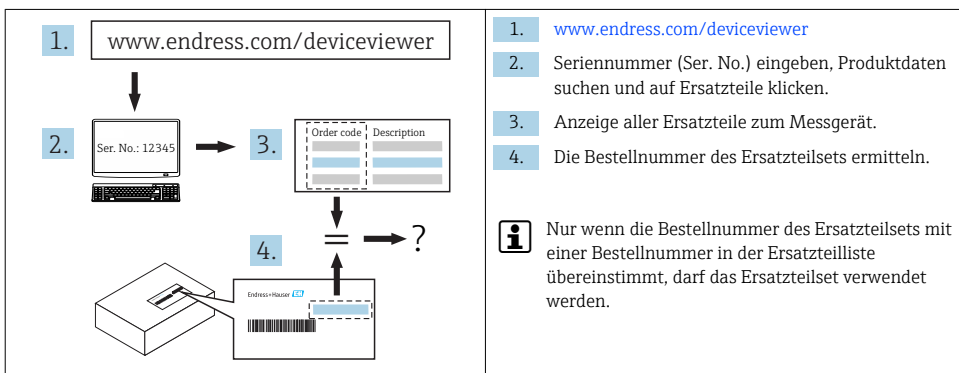
- Die Bestellnummer des Ersatzteilsets (auf dem Produktaufkleber der Verpackung) kann sich von der Produktionsnummer (auf dem Aufkleber direkt auf dem Ersatzteil) unterscheiden!
- Durch Eingabe der Produktionsnummer des Ersatzteiles im Ersatzteilfindetool kann die Bestellnummer des entsprechenden Ersatzteilsets ermittelt werden.
- Wir empfehlen Einbauanleitung und Verpackung immer zusammen aufzubewahren.

2 Bestimmungsgemäße Verwendung

Ersatzteilset und Einbauanleitung dienen dazu, eine defekte Einheit gegen eine funktionierende Einheit des gleichen Typs zu ersetzen. Es dürfen nur Originalteile von Endress+Hauser verwendet werden. Grundsätzlich dürfen nur Ersatzteilsets verwendet werden, die von Endress+Hauser für das Messgerät vorgesehen sind.

Die Überprüfung ist via W@M Device Viewer durchzuführen, die Vorgehensweise dazu ist nachfolgend beschrieben.

i Bei einigen Messgeräten befindet sich im Inneren des Gerätes eine Ersatzteilübersicht. Ist das Ersatzteilset dort aufgelistet, entfällt die Überprüfung.



3 Reparaturberechtigte Personen

Die Berechtigung zur Durchführung einer Reparatur ist von der Zulassung des Messgeräts abhängig. Die Tabelle zeigt den jeweils berechtigten Personenkreis.

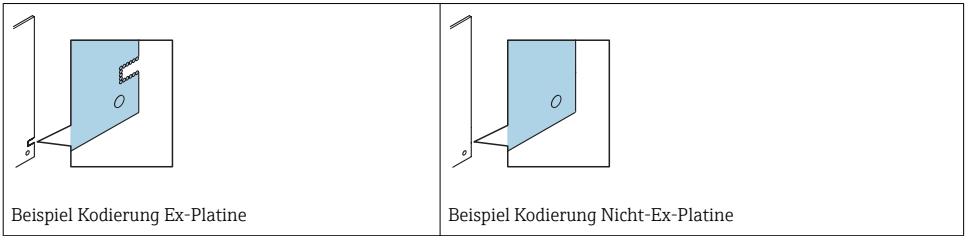
i Die Person, die eine Reparatur vornimmt, übernimmt die Verantwortung für die Sicherheit während der Arbeiten, die Qualität der Ausführung und die Sicherheit des Geräts nach der Reparatur.

Zulassung des Messgeräts	Reparaturberechtigter Personenkreis ¹⁾
Ohne Zulassung	1, 2, 3
Mit Zulassung (z.B. IECEx)	1, 2, 3
Bei eichfähigem Verkehr	4

1) 1 = Ausgebildete Fachkraft des Kunden, 2 = Von Endress+Hauser autorisierter Servicetechniker, 3 = Endress+Hauser (Messgerät an Hersteller zurücksenden)
4 = Mit der lokalen Zulassungsstelle prüfen, ob ein Ein-/Umbau unter Aufsicht erfolgen muss.

4 Sicherheitshinweise

- Prüfen, ob das vorliegende Ersatzteil zur Kennzeichnung auf dem Messgerät passt, wie auf der Titelseite beschrieben.
- Ersatzteilset und Einbauanleitung dienen dazu, eine defekte Einheit gegen eine funktionierende Einheit des gleichen Typs zu ersetzen.
Nur Originalteile von Endress+Hauser verwenden.
- Nationale Vorschriften bezüglich der Montage, elektrischen Installation, Inbetriebnahme, Wartung und Reparatur einhalten.
- Folgende Anforderungen an das Fachpersonal für Montage, elektrische Installation, Inbetriebnahme, Wartung und Reparatur der Messgeräte müssen erfüllt sein:
 - In Gerätesicherheit ausgebildet.
 - Mit den jeweiligen Einsatzbedingungen der Geräte vertraut.
 - Bei Ex-zertifizierten Messgeräten: zusätzlich im Explosionsschutz ausgebildet.
- Messgerät unter Spannung! Lebensgefahr durch Stromschlag. Messgerät nur im spannungslosen Zustand öffnen.
- Bei Ex-zertifizierten Messgeräten: Nur in spannungslosem Zustand (nach Berücksichtigung einer Wartezeit von 10 Minuten nach Abschalten der Energiezufuhr) oder in Umgebungen öffnen, die keine explosionsfähige Atmosphäre enthalten.
- Bei Messgeräten in sicherheitstechnischen Applikationen gemäß IEC 61508 bzw. IEC 61511: Nach Reparatur Neuinbetriebnahme gemäß Betriebsanleitung durchführen. Reparatur dokumentieren.
- Vor einem Geräteausbau: Prozess in sicheren Zustand bringen und Leitung von gefährlichen Prozessstoffen befreien.
- Verbrennungsgefahr durch heiße Oberflächen! Vor Arbeitsbeginn: Anlage und Messgerät auf berührungssichere Temperatur abkühlen.
- Bei Messgeräten im abrechnungspflichtigen Verkehr: Nach Entfernen der Plombe ist der geeichte Zustand aufgehoben.
- Die Betriebsanleitung zum Messgerät ist zu beachten.
- Beschädigungsgefahr elektronischer Bauteile! Eine ESD-geschützte Arbeitsumgebung herstellen.
- Nach Entfernen der Elektronikabdeckung: Stromschlaggefahr durch aufgehobenen Berührungsschutz!
Messgerät ausschalten, bevor interne Abdeckungen entfernt werden.
- Änderungen am Messgerät sind nicht zulässig.
- Gehäuse nur kurzzeitig öffnen. Eindringen von Fremdkörpern, Feuchtigkeit oder Verunreinigung vermeiden.
- Leiterplatten für Geräte der Kategorien II1G, II1D, II 2G, II 2D, Zone 1 und Class I, Div. 1, Gp. A, B, C, D besitzen eine Aussparung / Leiterplattenkodierung. Das eigenmächtige Herausbrechen der Kodierung ist nicht zulässig, weil dadurch der Explosionsschutz aufgehoben wird.







- **Achtung!** Beim Auswechseln von Messverstärker-, I/O-Platine oder Submodulen: Kompatibilität mit der vorhandenen Software sicherstellen. Der Auslesevorgang der Software Revisionsnummer ist in der Betriebsanleitung (Gerätefunktionen) beschrieben. Wenn die Software der Platine nicht kompatibel ist, muss mit Hilfe einer Bediensoftware (z. B. Field Care) ein Update durchgeführt werden. Bei funktionalen Änderungen Anlagenbetreiber informieren.
- Defekte Dichtungen nur durch Original-Dichtungen von Endress+Hauser ersetzen.
- Defekte Gewinde erfordern eine Instandsetzung des Messgeräts.
- Gewinde (z.B. von Elektronikraum- und Anschlussraumdeckel) müssen geschmiert sein, sofern keine abriebfeste Trockenschmierung vorhanden ist. Säurefreies, nicht härtendes Fett verwenden.
- Wenn bei den Reparaturarbeiten Abstände reduziert oder die Spannungsfestigkeit des Messgeräts nicht sichergestellt werden kann: Prüfung nach Abschluss der Arbeiten durchführen (z.B. Hochspannungstest gemäß Herstellerangaben).
- Servicestecker:
 - Nicht in explosionsfähiger Atmosphäre anschließen.
 - Nur an Servicegeräte von Endress+Hauser anschließen.
- Die in der Betriebsanleitung aufgeführten Hinweise zum Transport und zur Rücksendung beachten.






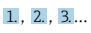
Bei Fragen kontaktieren Sie bitte Ihre zuständige [Endress+Hauser Serviceorganisation](#).

5 Verwendete Symbole

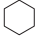



5.1 Warnhinweissymbole

Symbol	Bedeutung
	GEFAHR! Dieser Hinweis macht auf eine gefährliche Situation aufmerksam, die, wenn sie nicht vermieden wird, zu Tod oder schwerer Körperverletzung führen wird.
	WARNUNG! Dieser Hinweis macht auf eine gefährliche Situation aufmerksam, die, wenn sie nicht vermieden wird, zu Tod oder schwerer Körperverletzung führen kann.
	VORSICHT! Dieser Hinweis macht auf eine gefährliche Situation aufmerksam, die, wenn sie nicht vermieden wird, zu leichter oder mittelschwerer Körperverletzung führen kann.
	HINWEIS! Dieser Hinweis enthält Informationen zu Vorgehensweisen und weiterführenden Sachverhalten, die keine Körperverletzung nach sich ziehen.

5.2 Symbole für Informationstypen

Symbol	Bedeutung
	Erlaubt Abläufe, Prozesse oder Handlungen, die erlaubt sind.
	Verboten Abläufe, Prozesse oder Handlungen, die verboten sind.
	Tipp Kennzeichnet zusätzliche Informationen.
	Handlungsschritte

6 Werkzeugliste

				Stift / Werkzeug Ø ≤ 2 mm (0,08 in)
3 mm	T20	PH2	8 mm	

säurefreies, nicht
härtendes Fett

7 Gerätedaten sichern

7.1 Promag 50, Promass 80

i Aus der Applikation wichtige Parameter des Messgerätes auslesen (z.B. anhand des Quick Setup "Inbetriebnahme", siehe Betriebsanleitung zum Gerät).

7.2 Promag 53, 55, Promass 83, 84

i Wichtige Parameter des Messumformers auf den T-DAT sichern mit Hilfe des Parameters "T-DAT VERWALTEN".

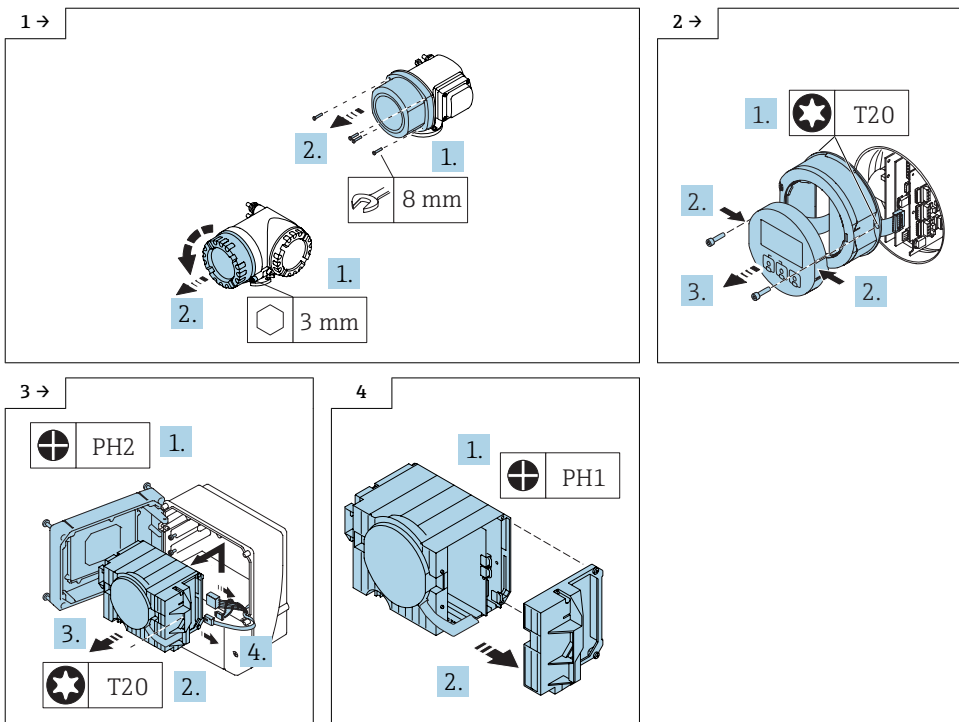
8 Öffnen Feldgehäuse, Edelstahlfeldgehäuse, Wandaufbaugehäuse

⚠ WARNUNG


Messgerät unter Spannung!

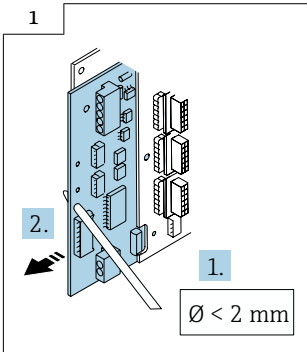
Lebensgefahr durch Stromschlag.

► Messgerät nur im spannungslosen Zustand öffnen.



8.1 Ausbau der Messverstärkerplatine

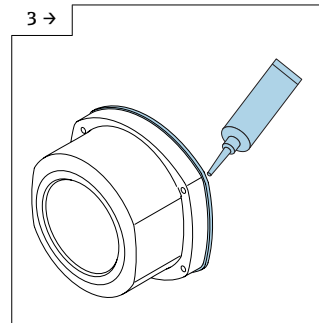
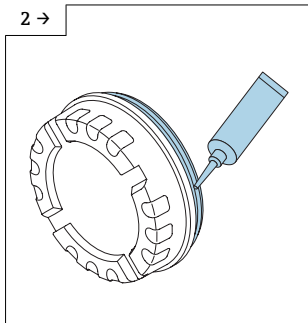
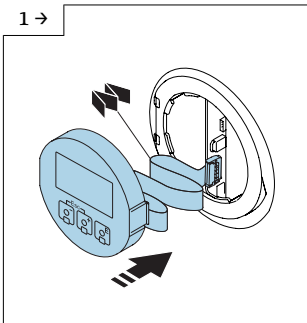
Vorgehen wie in Kap. 8 →  23 und wie in dem Bild unten.



8.2 Zusammenbau Messumformergehäuse

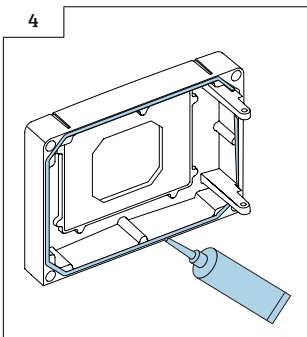
Der Zusammenbau erfolgt in umgekehrter Reihenfolge.

Folgendes ist zu beachten:



► Säurefreies, nicht härtendes Fett

► Säurefreies, nicht härtendes Fett



► Säurefreies, nicht härtendes Fett



71414888

www.addresses.endress.com
