

Technical Information

Thermowell

omnigrad M TW 11

Pipe thermowell without extension neck
Threaded process connection



Application

Omnigrad M TW 11 thermowells are designed for the use in the fine chemicals industry but can also be used for generic applications.

Thanks to its modular configuration, defined in standard DIN 43772 (form 2/3), the TW 11 thermowell is suitable for almost all industrial processes.

Features and benefits

- SS 316L/1.4404 e SS 316Ti/1.4571 for "wetted" parts
- The common threaded process connections are supplied as standard; others are available on request
- Customized immersion length
- Surface finishing $Ra < 0.8 \mu m$
- Tip of the thermowell with a reduced diameter or tapered for a faster response time
- Material certification (3.1.B)
- Pressure test
- Test with penetrant liquids on welds

Areas of application

- Fine chemicals industry
- Light energy industry
- Food industry
- General industrial services

Function and system design

Equipment architecture

The design of the thermowell is based on standard DIN 43772 and can therefore guarantee a good level of resistance to the most typical and common industrial processes.

The thermowell is made from a pipe with a diameter of 9, 11 or 12 mm.

The final part can be straight, tapered (i.e. with a gradual reduction of the stem achieved thanks to a swaging procedure), or reduced (stepped).

TW 11 thermowell can be fitted on the plant (pipe or tank) using a threaded connection, which can be chosen from the most common models (see section "Structure of components").

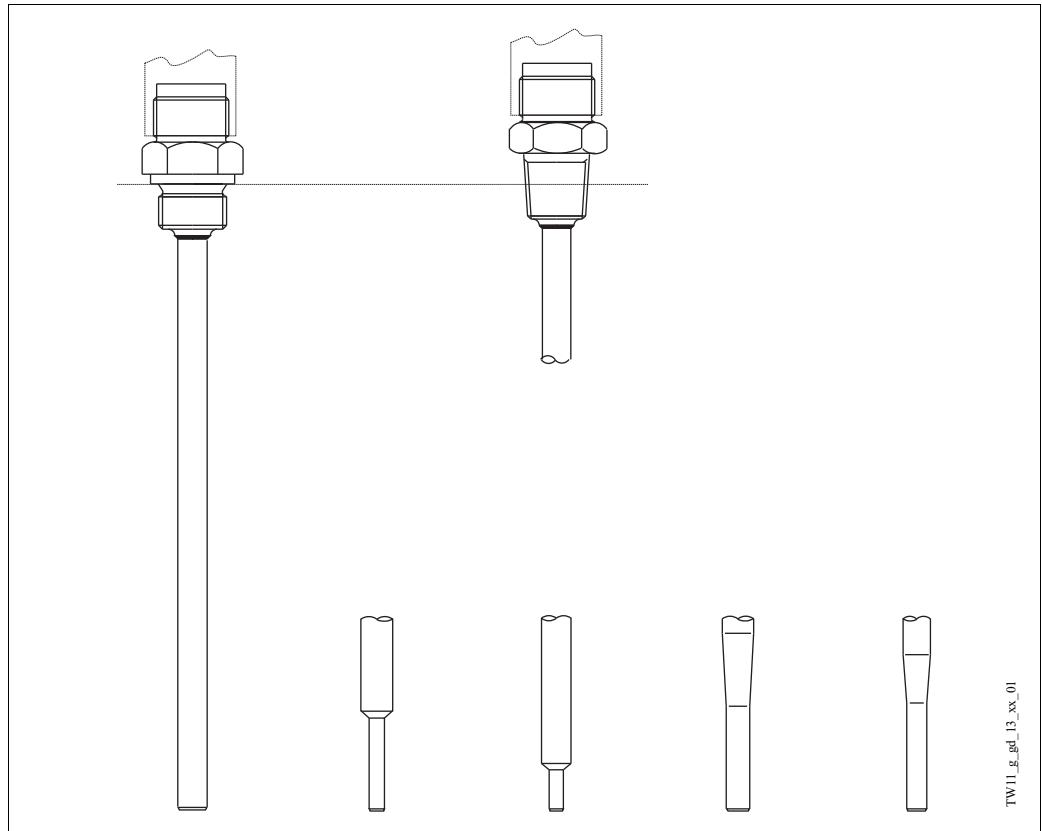


Fig. 1: TW 11 with several types of process connections and end parts of the thermowell

Material

Wetted parts in SS 316L/1.4404 or SS 316Ti/1.4571.

Weight

From 0.5 to 2.0 Kg for standard options.

Performance

Operating conditions

Process temperature

- 316L/1.4404
- 316Ti/1.4571

-200 ÷ 600°C
-200 ÷ 800°C

Maximum process pressure

The pressure values to which the thermowell can be subjected at varying temperatures are illustrated in the drawings of figures 2 and 3. A possible limitation can originate from process connections. For pipes with a diameter of 9 mm, with a limited flow rate, the thermowell can tolerate the following maximum pressures:

- 50 bar
- 33 bar
- 24 bar

at 20°C
at 250°C
at 400°C.

Maximum flow velocity

The maximum flow velocity tolerated by the thermowell decreases as the length of the well/probe, exposed to the stream of the fluid, increases. Some information is provided in the drawing of figures 2 and 3.

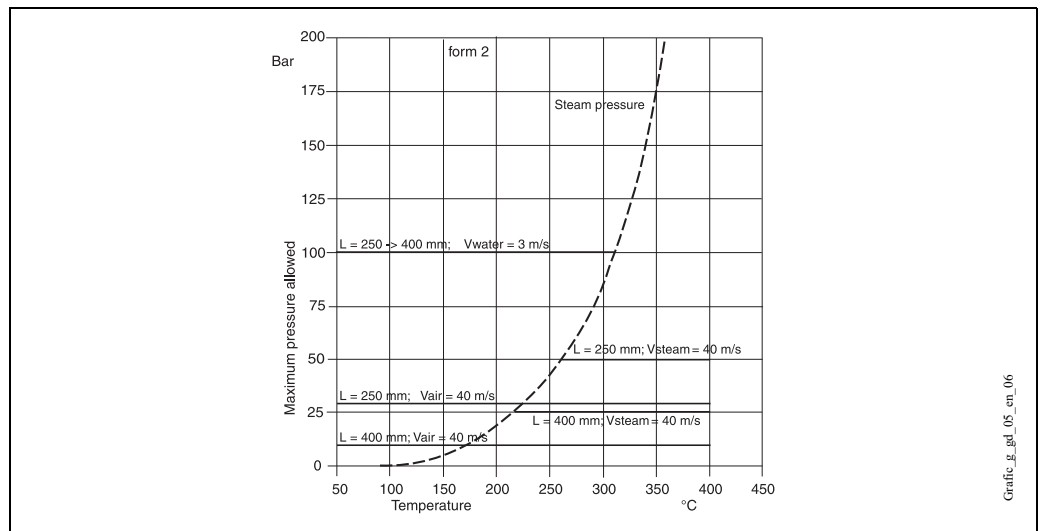


Fig. 2: Pressure/temperature drawing for thermowell with a straight pipe Ø11 mm in SS 316Ti/1.4571

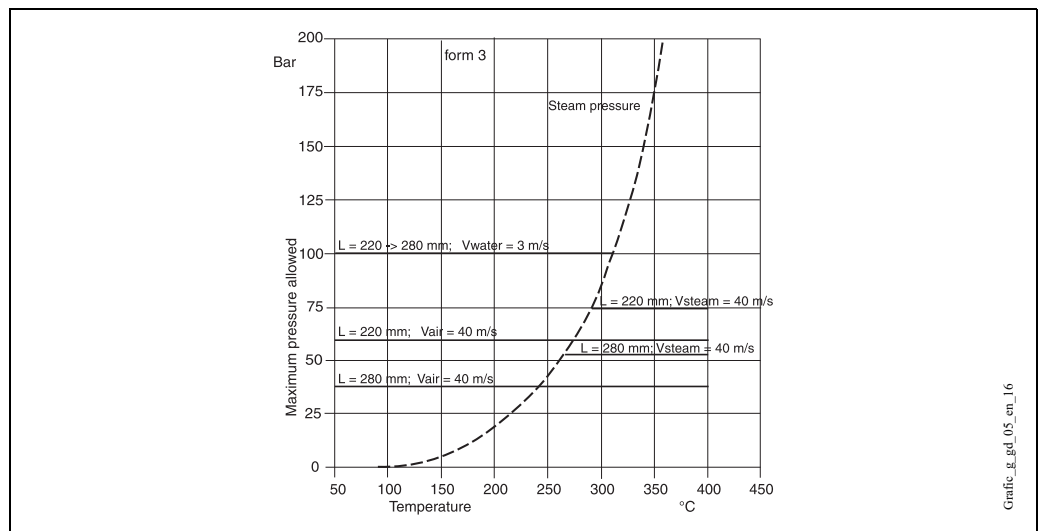


Fig. 3: Pressure/temperature drawing for thermowell with tapered pipe Ø12 mm in SS 316Ti/1.4571

Installation

The Omnigrad M TW 11 thermowells can be mounted on pipes, vessels or other plant parts that may require them.

The interface components for the process connections and the related gaskets are not normally provided with the sensors and must be purchased by the customer.

Immersion length may influence the accuracy of the measurement. If the immersion length is too low, an error may be generated in the temperature recorded due to the lower temperature of the process fluid near to the walls and heat transfer, which takes place through the sensor stem. The incidence of such an error can be relevant if there is a large difference between the process temperature and ambient temperature. In order to avoid this source of inaccuracy, the thermowell should have a small diameter and the immersion length (L) should be, if possible, at least $80 \div 100$ mm.

For pipes with a small section, it is necessary to make sure that the tip of the probe reaches or slightly exceeds, if possible, the axis line of the duct (see fig. 4A-4B). Insulation of the outer part of the sensor reduces the effect produced by a low immersion length. Another solution may be a tilted installation (see fig. 4C-4D). For use in the food industry, it is best to follow the rule $h \leq d/2$.

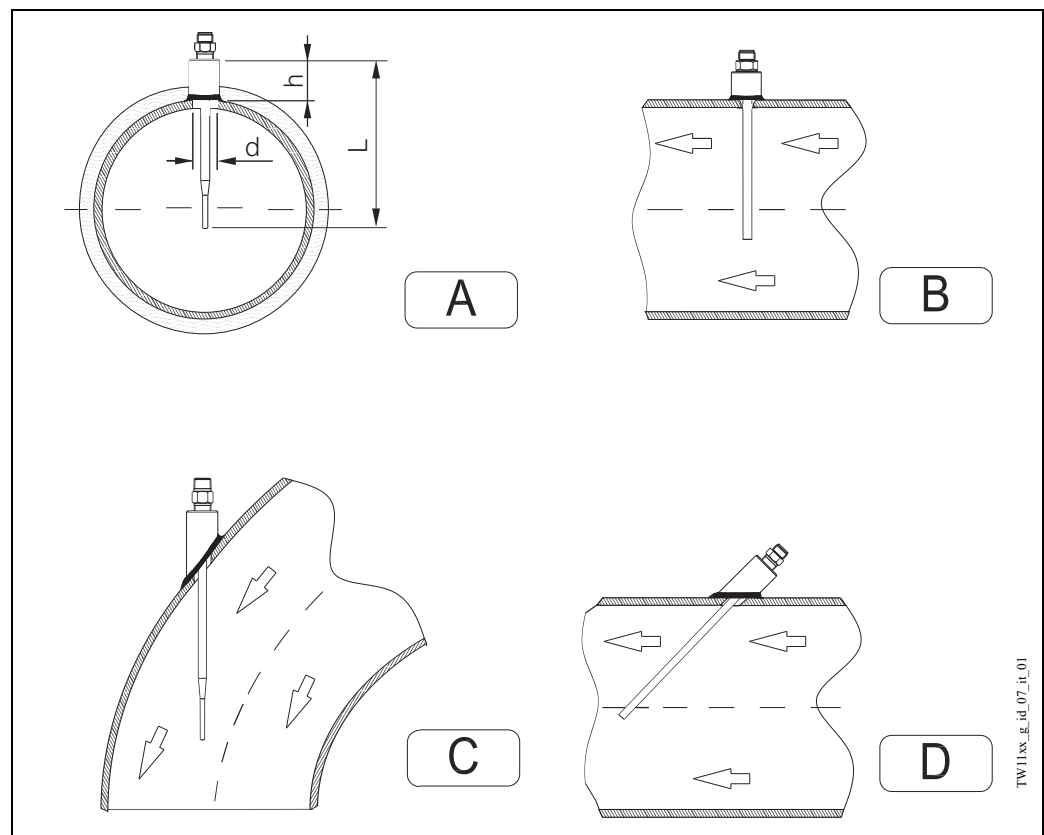


Fig. 4: Installation examples

With regard to corrosion, the base material of the wetted parts (SS 316L/1.4404, SS 316Ti/1.4571) can tolerate the common corrosive media right up to even the highest temperatures. For further information on specific applications, please contact the E+H Customer Service.

System components

Process connection

Standard connections are available in the following types:

- M20x1.5
- G 1/2" DIN 43772 (DIN 3852 form 2G/3G)
- G 3/8", G 1/2" and G 3/4" BSP cylindrical
- 1/2" and 3/4" NPT.

Other versions may be supplied on request.

Figure 5 shows the engaging lengths.

Process connections	Thread	C (mm)
	1/2" NPT	8
	3/4" NPT	8.5
	G 1/2" DIN	15
	G 3/8" BSP	12
	G 1/2" BSP	15
	G 3/4" BSP	15
	M 20X1.5	15

Fig. 5: Engaging lengths

The immersion length of the part of pipe in contact with the process fluid is available in the most commonly used standard dimensions but can also be customised within a range of values (see "Sales structure" at the end of this document).

The surface finishing (Ra) is 0.8 µm. The different types of tips (reduced or tapered) are described in figure 6.

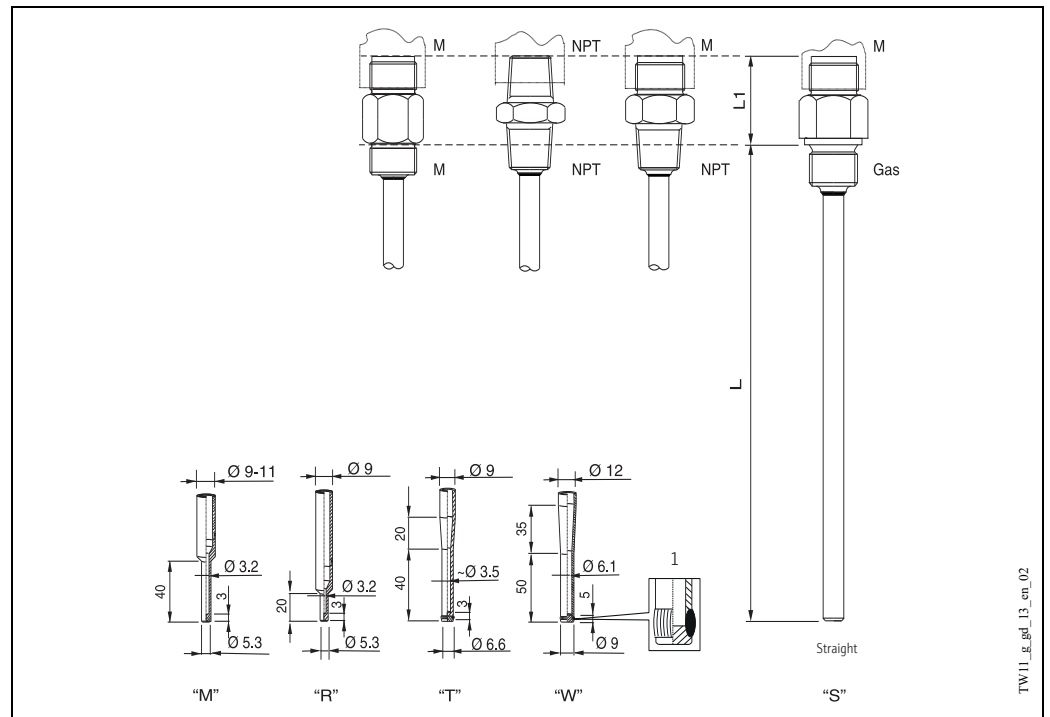


Fig. 6: Functional components

1 Welded tip, weld quality according to EN ISO 5817 - quality class B

Certificates & approvals

PED approval

The Pressure Equipment Directive (97/23/CE) is respected. As paragraph 2.1 of article 1 is not applicable to this kind of instruments, the marking 4 is not mandatory for TW 11 models used for generic applications.

Material certification

The material certificate 3.1.B (compliant standard EN 10204) can be directly selected from the sale structure of the product and refers to the parts of the thermowell in contact with the process fluid. Other types of certificates related to materials can be requested separately. The "short form" certificate includes a simplified declaration, with no enclosures of documents, related to the materials used in the construction of the thermowell and guarantees the traceability of the materials through the identification number of the thermometer. The data related to the origin of the materials can subsequently be requested by the customer if necessary.

Test on the thermowell

The pressure tests are carried out at ambient temperature in order to verify the resistance of the thermowell to the specifications indicated by standard DIN 43772. For thermowells that do not comply with this standard (with a reduced tip, a tapered tip on a 9 mm pipe, special dimensions), the pressure of the corresponding straight pipe with similar dimensions is verified. Tests at different pressures can be carried out on request. The liquid penetrant (dye) test verifies the absence of crevices on the weldings of the thermowell.

Ordering information

Detailed ordering information is available from the following sources:

- In the Product Configurator on the Endress+Hauser website:
www.endress.com → Select country → Instruments → Select device → Product page function: Configure this product
- From your Endress+Hauser Sales Center:
www.endress.com/worldwide



Product Configurator - the tool for individual product configuration:

- Up-to-the-minute configuration data
- Depending on the device: Direct input of measuring point-specific information such as measuring range or operating language
- Automatic verification of exclusion criteria
- Automatic creation of the order code and its breakdown in PDF or Excel output format
- Ability to order directly in the Endress+Hauser Online Shop

www.addresses.endress.com
