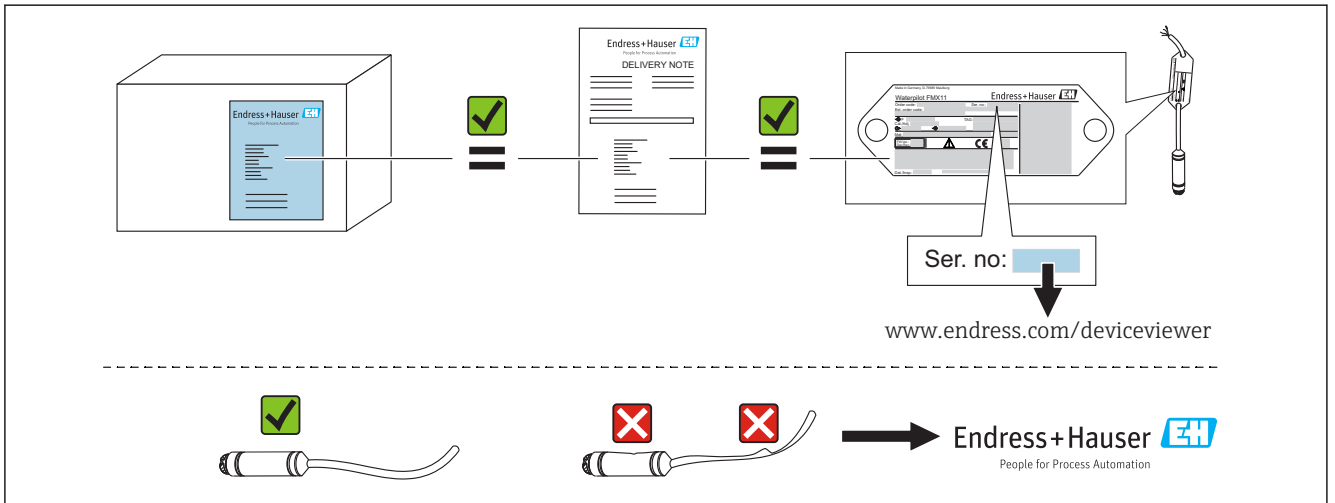


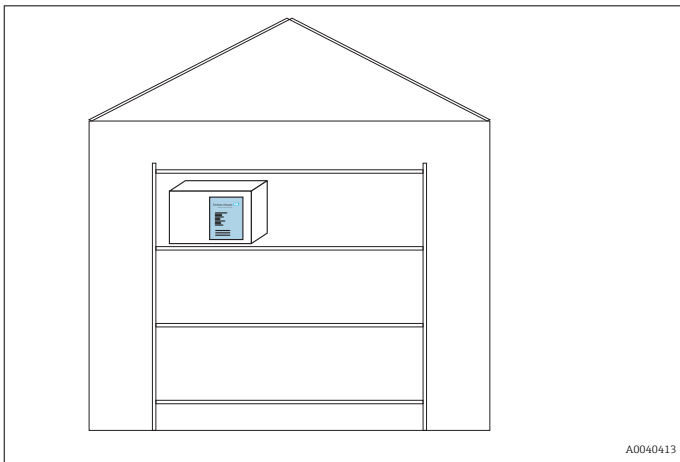


Special Documentation Waterpilot FMX11

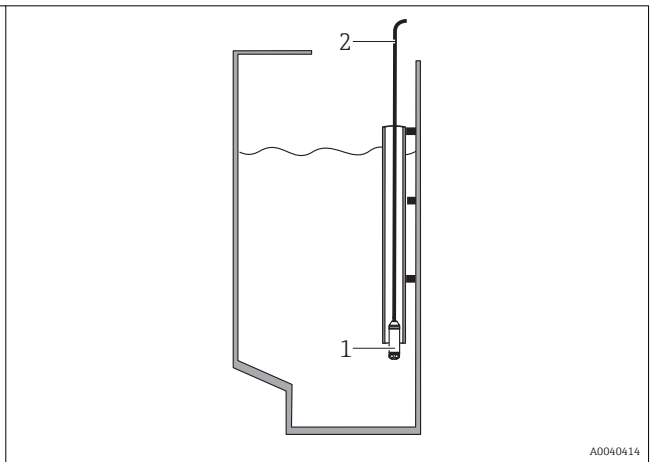
Hydrostatic level measurement



A0040412



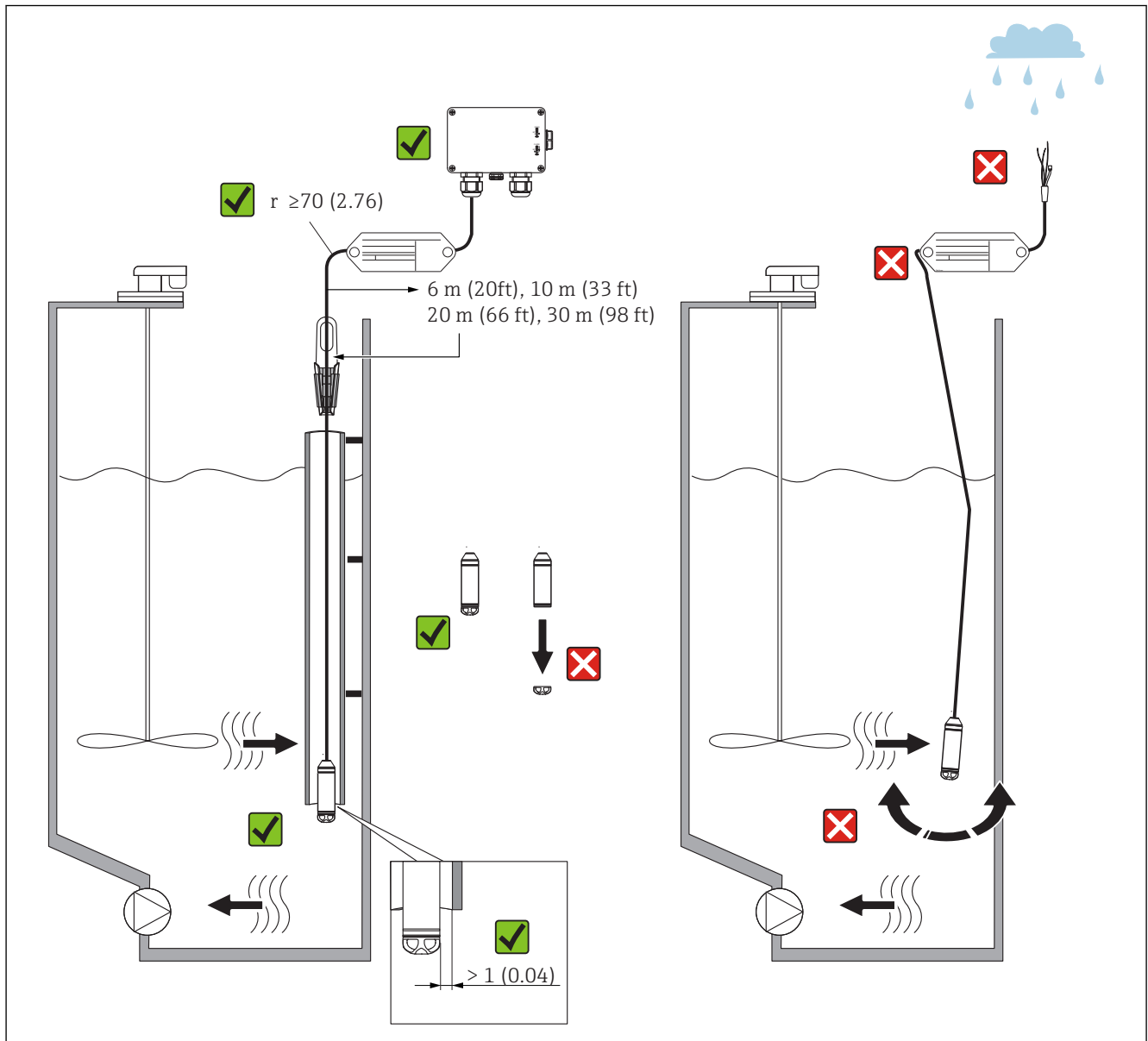
A0040413



A0040414

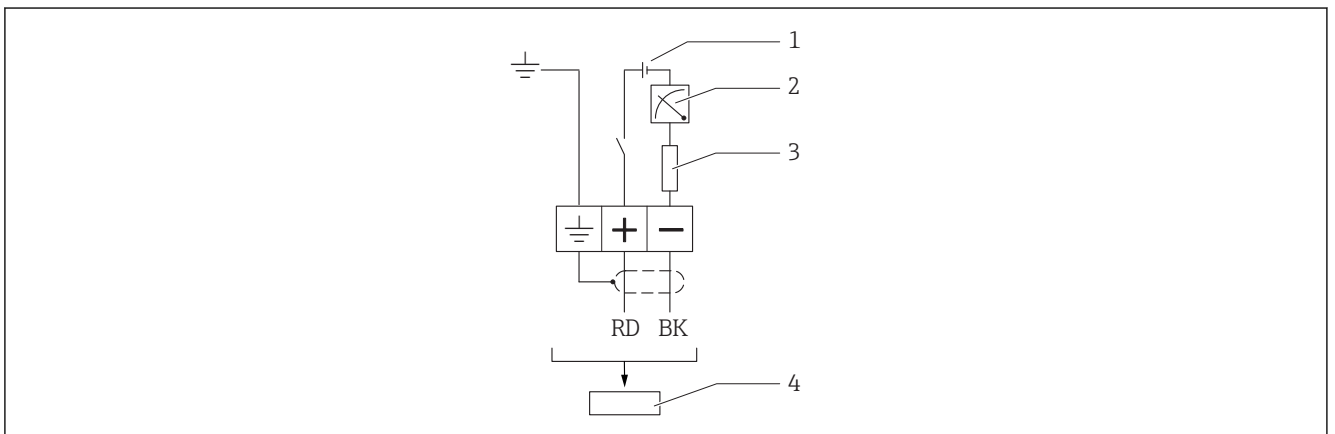
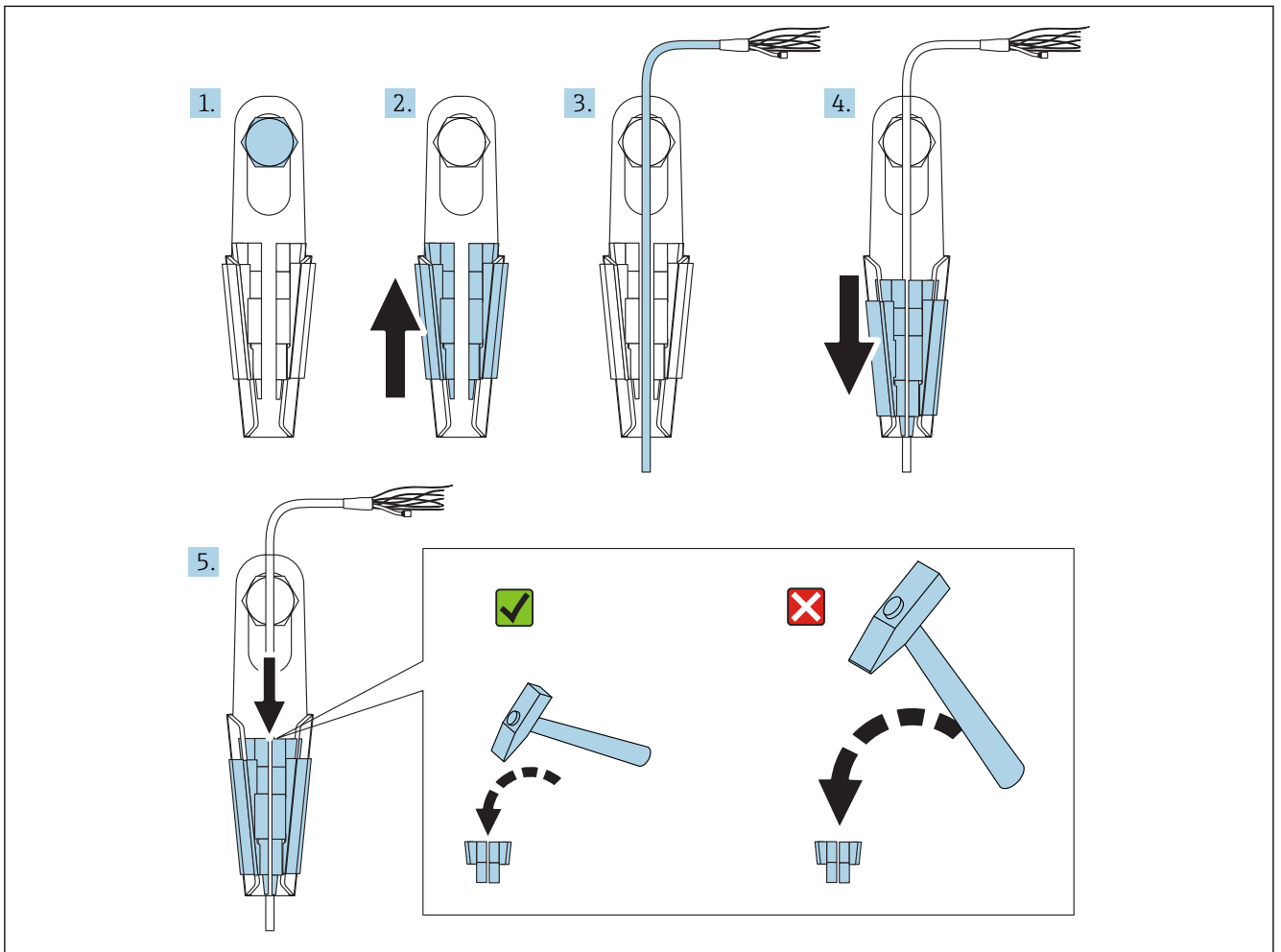
-10 to +70 °C (+14 to +158 °F)

- 1 = -10 to +70 °C (-14 to +158 °F)
- 2 = -10 to +70 °C (-14 to +158 °F)

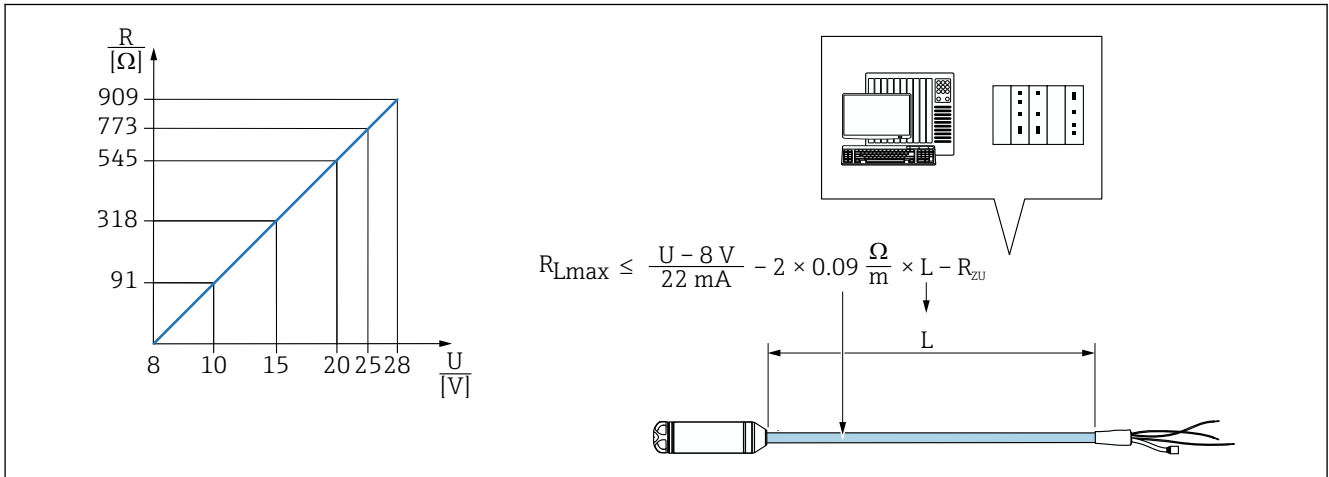


A0040415

Unit of measurement mm (in)



- 1 8 to 28 V_{DC}
- 2 4 to 20 mA
- 3 R_L
- 4 Waterpilot FMX11



A0040424