



Füllstand



Druck



Durchfluss



Temperatur



Flüssigkeits-  
analyse



Registrierung



Systeme  
Komponenten

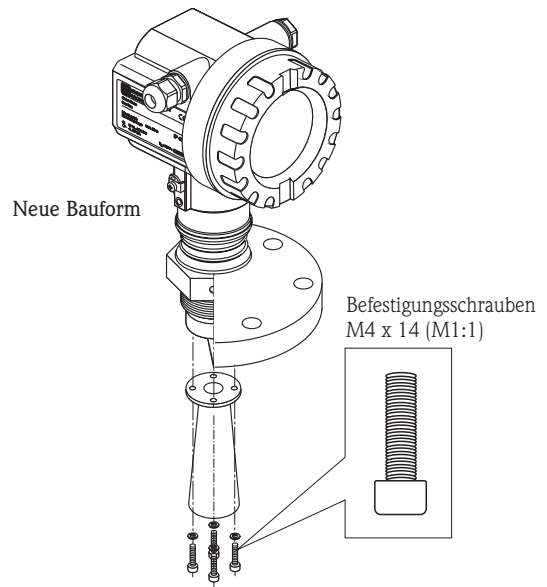
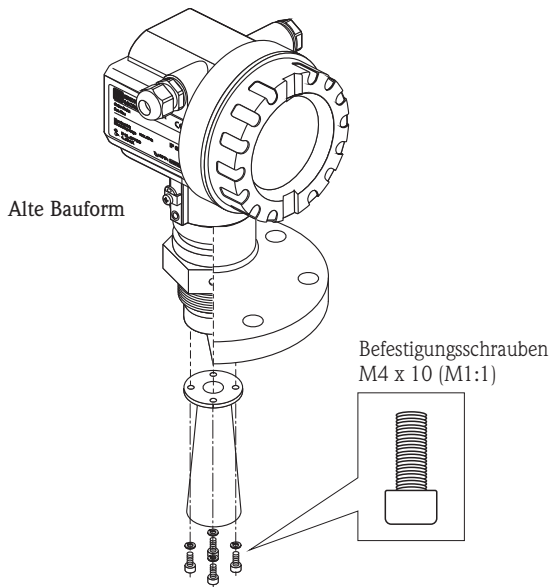


Services



Solutions

## Austausch des Antennenhorns am Micropilot M FMR240



KA686F/00/a2/04.08  
71073468  
Ausgabe/revision: 1



71073468

**Endress+Hauser**   
People for Process Automation



Füllstand



Druck



Durchfluss



Temperatur



Flüssigkeits-  
analyse



Registrierung



Systeme  
Komponenten

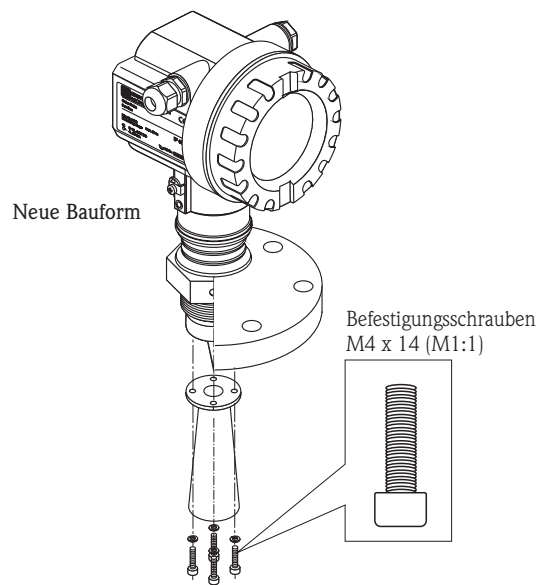
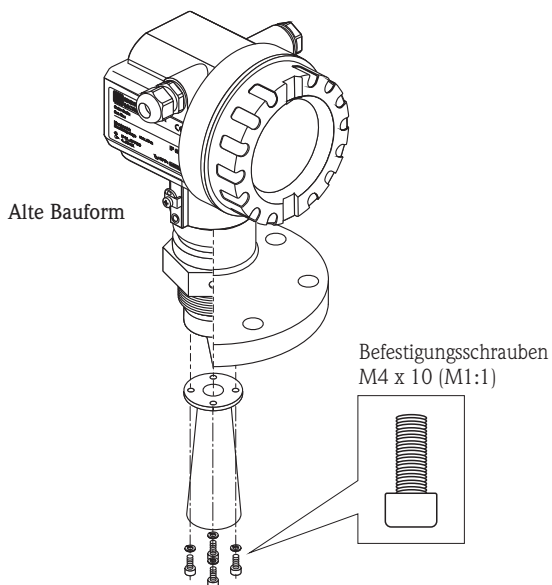


Services



Solutions

## Austausch des Antennenhorns am Micropilot M FMR240



KA686F/00/a2/04.08  
71073468  
Ausgabe/revision: 1



71073468

**Endress+Hauser**   
People for Process Automation



Level



Pressure



Flow



Temperature



Liquid Analysis



Registration



Systems Components

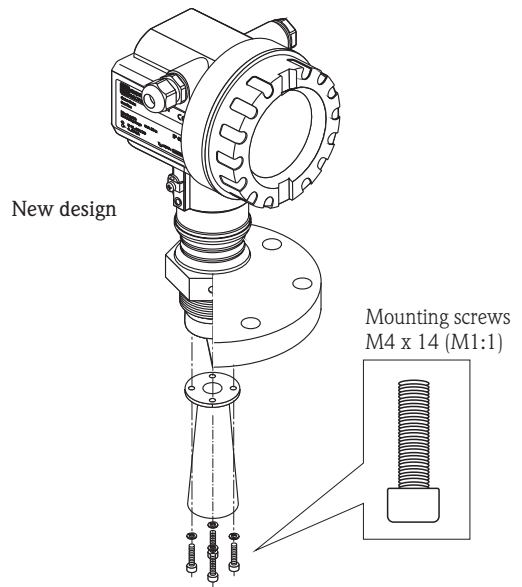
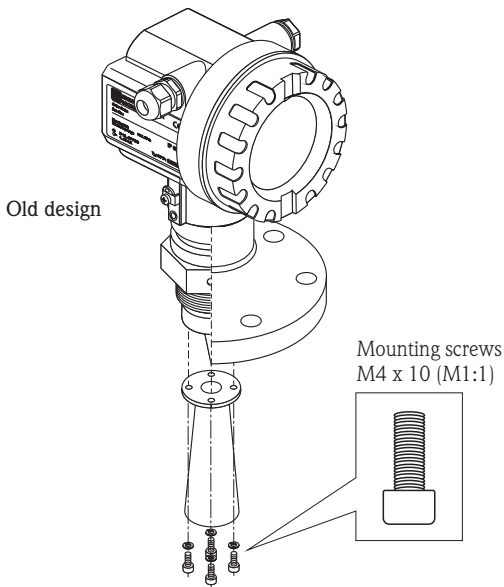


Services



Solutions

## Exchange of horn antenna for Micropilot M FMR240



KA686F/00/a2/04.08  
71073468  
Ausgabe/revision: 1

**Endress+Hauser**   
People for Process Automation



Level



Pressure



Flow



Temperature



Liquid Analysis



Registration



Systems Components

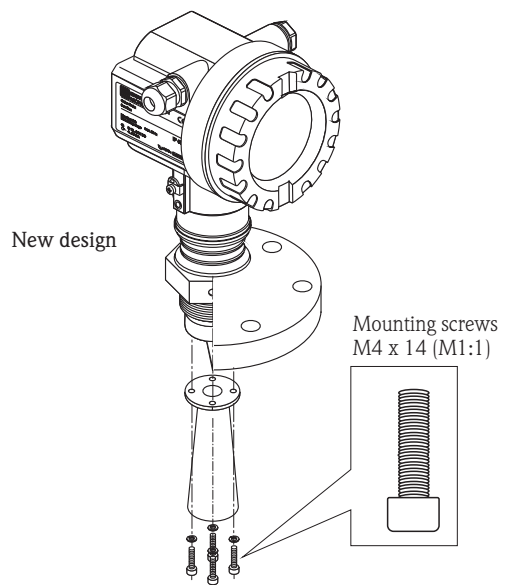
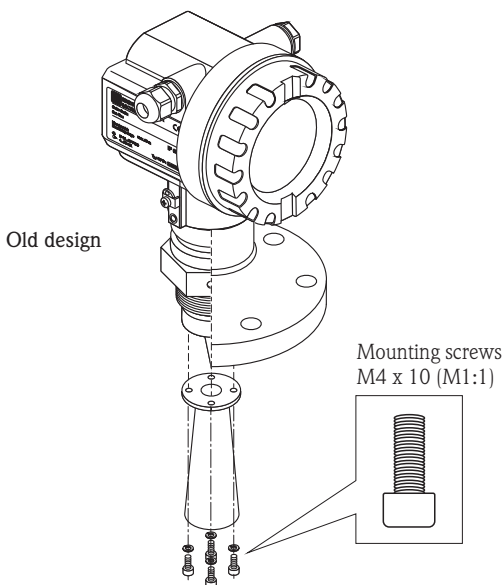


Services



Solutions

## Exchange of horn antenna for Micropilot M FMR240



KA686F/00/a2/04.08  
71073468  
Ausgabe/revision: 1

**Endress+Hauser**   
People for Process Automation