

Safety Instructions

Memosens ISFET pH sensors

pH measurement

Supplement to BA02154C
Safety instructions for electrical apparatus in
explosion-hazardous areas
EAC Ex 0Ex ia IIC T3/T4/T6 Ga X
EAC Ex 0Ex ia IIC T4/T6 Ga X



Memosens ISFET pH sensors

pH measurement

Table of contents

Associated documentation	4
Additional documentation	4
Certificates	4
Identification	4
Safety Instructions	5
Temperature tables	5
Connection	6
Installation conditions	7

Associated documentation

This document is an integral part of Operating Instructions BA02154C.

Additional documentation



- Competence Brochure CP00021Z
 - Explosion Protection: Guidelines and General Principles
 - www.endress.com

Certificates

The certificates and declarations of conformity are available in the Downloads area of the Endress+Hauser website:

www.endress.com/download

Identification

The nameplate provides you with the following information on your device:

- Manufacturer identification
 - Order code
 - Extended order code
 - Serial number
 - Safety information and warnings
 - Ex marking on hazardous area versions
- Compare the information on the nameplate with the order.

Type code

Item type	Version						
xPS47E xPS77E	GA	*	*	**	*	***	+*
x = C, OC No Ex relevance	EAC Ex 0Ex ia IIC T6/T4/T3 Ga X	No Ex relevance					

Item type	Version						
xPS97E	GA	*	*	**	*	***	+*
x = C, OC No Ex relevance	EAC Ex 0Ex ia IIC T6/T4 Ga X	No Ex relevance					

Certificates and approvals

Ex approvals

The product has been certified in accordance with Directive TR CU 012/2011 valid within the Eurasian Economic Area (EAEU). The EAC conformity mark has been affixed to the product.

Sensor	Certificate number	Ex marking
xPS47E xPS77E	EAЭC RU C-DE.AA87.B.00833/21	0Ex ia IIC T6/T4/T3 Ga X
xPS97E		0Ex ia IIC T6/T4 Ga X

Certification Body

ООО "НАИЮ ЦСБЭ"

Russian Federation


Safety Instructions

- The sensors may not be operated in electrostatically critical processing conditions. Intense vapour or dust flows directly impacting on the connection system must be avoided.
- The sensor may not be operated on processing conditions, in which an electrostatic loading of the sensor and the connecting system is to be counted. Operation in product application intended fluid media providing conductivity of least 10 ns/cm can be assumed as electrostatic uncritical.
- Ex-protected digital sensors with Memosens technology are identified by an orange-red ring on the terminal head.
- When using devices and sensors, observe the regulations for electrical systems in hazardous areas (EN/ IEC 60079-14).
- The procedures for electrical connection described in the Operating Instructions must be followed.
- If an assembly is used, there can be higher temperatures as allowed. The maximum temperature at the sensor head shall be $\leq 90\text{ °C}$ (194 °F).

Temperature tables

Sensor	Temperature class	Process temperature T _p		Ambient temperature T _a		
		minimum	maximum	minimum	maximum	
CPS47E CPS77E	T3	-15 °C (5 °F)	135 °C (275 °F)	-15 °C (5 °F)	70 °C (158 °F)	
			T4		115 °C (239 °F)	75 °C (167 °F)
	110 °C (230 °F)				80 °C (176 °F)	
	100 °C (212 °F)				85 °C (185 °F)	
	90 °C (194 °F)				90 °C (194 °F)	

Sensor	Temperature class	Process temperature T_p		Ambient temperature T_a	
		minimum	maximum	minimum	maximum
	T6	-15 °C (5 °F)	65 °C (149 °F)	-15 °C (5 °F)	65 °C (149 °F)
CPS97E	T4	-15 °C (5 °F)	110 °C (230 °F)	-15 °C (5 °F)	80 °C (176 °F)
			100 °C (212 °F)		85 °C (185 °F)
			90 °C (194 °F)		90 °C (194 °F)
	T6	-15 °C (5 °F)	65 °C (149 °F)	-15 °C (5 °F)	65 °C (149 °F)

The temperature table above applies only under the following installation conditions, which are described in the following graphic →  7. If the installation conditions cannot be met, the maximum process temperature T_p must not exceed the maximum ambient temperature T_a .

Connection

Ex specification

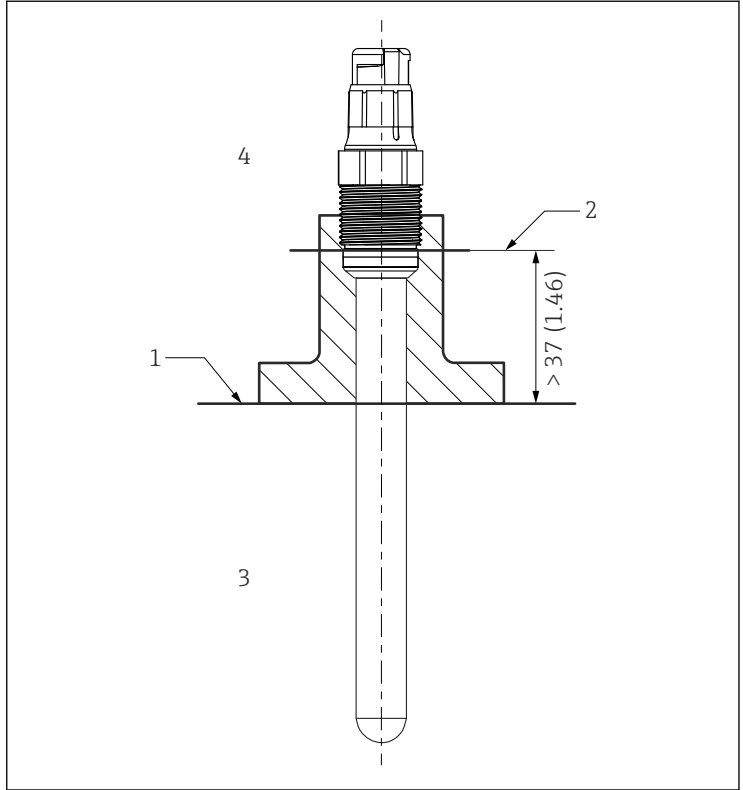
- The CPSx7E-type ISFET pH sensors are approved in accordance with EAC Ex certificate and are suitable for use in hazardous environments.
- The approved digital ISFET pH sensors feature an intrinsically safe input with the following parameter set:

Parameters	Value
P_i	180 mW

The approved CPSx7E-type digital ISFET pH sensors must be connected to a Memosens measuring cable or cable transmitter with an intrinsically safe output with the following parameter:

Parameters	Value
P_o	Maximum 180 mW

Installation conditions



A0041281

1 Installation conditions

- 1 Limit
- 2 Distance between plug-in head (lower edge) and process medium, without ring and thrust collar
- 3 Process temperature T_p
- 4 Ambient temperature T_a



71553442

www.addresses.endress.com
