

Safety Instructions

RIA14

ATEX: II 3G Ex nA IIC T6...T4 Gc

Safety instructions for electrical apparatus in
explosion-hazardous areas



RIA14

Table of contents

About this document	4
Associated documentation	4
Supplementary documentation	4
Manufacturer´s certificates	5
Manufacturer address	5
Safety instructions:	6
Safety instructions: Installation	6
Temperature tables	7
Electrical connection data	7

About this document



This document has been translated into several languages. Legally determined is solely the English source text.

The document translated into EU languages is available:

- In the download area of the Endress+Hauser website:
www.endress.com -> Downloads -> Manuals and Datasheets -> Type: Ex Safety Instruction (XA) -> Text Search: ...
- In the Device Viewer: www.endress.com -> Product tools -> Access device specific information -> Check device features



If not yet available, the document can be ordered.

Associated documentation

This document is an integral part of the following Operating Instructions:

- Operating instructions: BA00278R
- Brief operating instructions: KA00277R
- Technical information: TI00143R

Supplementary documentation

Explosion-protection brochure: CP00021Z/11

The Explosion-protection brochure is available:

- In the download area of the Endress+Hauser website:
www.endress.com -> Downloads -> Brochures and Catalogs -> Text Search: CP00021Z
- On the CD for devices with CD-based documentation

**Manufacturer's
certificates****EU Declaration of Conformity**

Declaration number: EC_00170

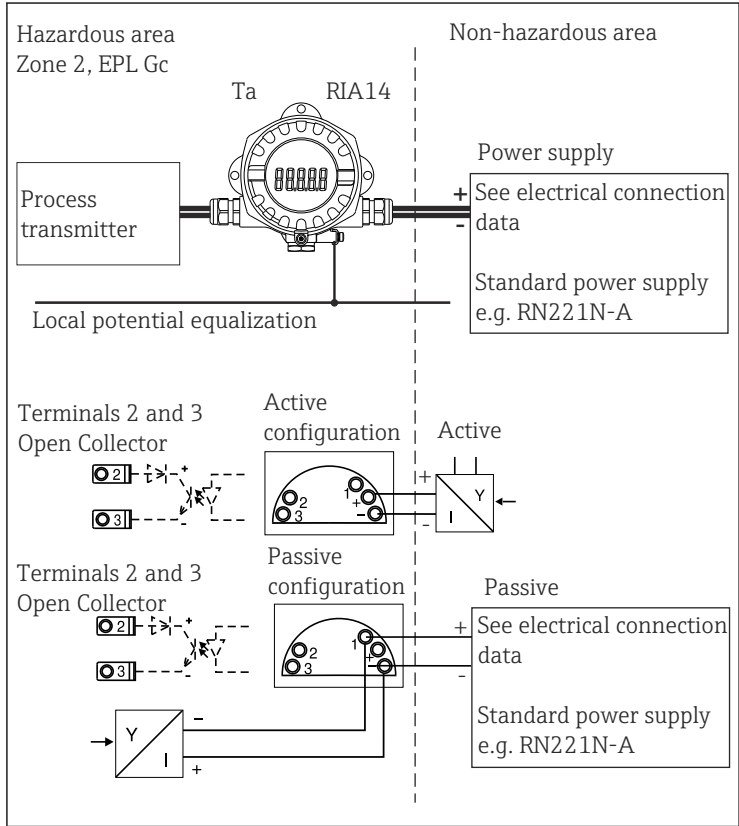
Affixing the certificate number certifies conformity with the following standards (depending on the device version)

- EN IEC 60079-0 : 2018
- EN 60079-15 : 2010

**Manufacturer
address**

Endress+Hauser Wetzer GmbH + Co. KG
Obere Wank 1
87484 Nesselwang, Germany

Safety instructions:



Safety instructions:
Installation

- Comply with the installation and safety instructions in the Operating Instructions.
- Install the device according to the manufacturer's instructions and any other valid standards and regulations (e.g. EN/IEC 60079-14).
- Seal the cable entries tight with certified cable glands (min. IP6X) IP6X according to EN/IEC 60529.
- For operating the field indicator at an ambient temperature under -20 °C, appropriate cables, cable entries and sealing facilities permitted for this application must be used.

- The housing of field indicator must be connected to the potential matching line.
- For ambient temperatures higher than +70 °C, use suitable heat-resisting cables or wires, cable entries and sealing facilities for Ta +5 K above surrounding.
- The field indicator must be installed and maintained so, that even in the event of rare incidents, an ignition source due to impact or friction between the enclosure and iron/steel is excluded.

⚠ WARNING

Explosive atmosphere

- ▶ In an explosive atmosphere, do not open the device when voltage is supplied (ensure that the IP67 housing protection is maintained during operation).

Temperature tables

Type	Temperature class	Ambient temperature
RIA14	T6	-40 °C ≤ Ta ≤ +50 °C
	T5	-40 °C ≤ Ta ≤ +65 °C
	T4	-40 °C ≤ Ta ≤ +80 °C

Electrical connection data

Type	Type of protection	Power supply (terminals + and -)	Open Collector (terminals 2 and 3)
RIA14	Ex nA IIC T6...T4 Gc	U _b ≤ 35 V _{DC} P ≤ 1.75 mW	U _b ≤ 35 V _{DC} P ≤ 875 mW

Category	Type of protection	Type
II 3G	Ex nA IIC T6...T4 Gc	RIA14



71568383

www.addresses.endress.com
