

Safety Instructions

Cerabar M PMP51, PMP55

4-20 mA HART, PROFIBUS PA,
FOUNDATION Fieldbus

II 2 G Ex db IIC Gb



Cerabar M PMP51, PMP55

4-20 mA HART, PROFIBUS PA, FOUNDATION Fieldbus

Table of contents

Associated documentation	4
Supplementary documentation	4
Manufacturer's certificates	4
Manufacturer address	4
Other standards	5
Extended order code	5
Safety instructions: General	6
Safety instructions: Special conditions	7
Safety instructions: Installation	7
Safety instructions: Ex d joints	8
Temperature tables	8
Connection data	8

Associated documentation	<p>This document is an integral part of the following Operating Instructions:</p> <p>HART BA00382P/00</p> <p>PROFIBUS PA BA00383P/00</p> <p>FOUNDATION Fieldbus BA00384P/00</p>
Supplementary documentation	<p>Explosion-protection brochure: CP00021Z/11</p> <p>The Explosion-protection brochure is available:</p> <ul style="list-style-type: none">■ In the download area of the Endress+Hauser website: www.endress.com -> Downloads -> Brochures and Catalogs -> Text Search: CP00021Z■ On the CD for devices with CD-based documentation
Manufacturer's certificates	<p>UK Declaration of Conformity</p> <p>Declaration Number: UK_00080</p> <p>The UK Declaration of Conformity is available: In the download area of the Endress+Hauser website: www.endress.com -> Downloads -> Declaration -> Type: UKCA Declaration -> Product Code: ...</p> <p>UKCA type-examination certificate</p> <p>Certificate number: CML 21UKEX1435</p> <p>List of applied standards: See UK Declaration of Conformity.</p>
Manufacturer address	<p>Endress+Hauser SE+Co. KG Hauptstraße 1 79689 Maulburg, Germany</p> <p>Address of the manufacturing plant: See nameplate.</p>

Other standards

Among other things, the following standards shall be observed in their current version for proper installation:

- IEC/EN 60079-14: "Explosive atmospheres - Part 14: Electrical installations design, selection and erection"
- EN 1127-1: "Explosive atmospheres - Explosion prevention and protection - Part 1: Basic concepts and methodology"

Extended order code

The extended order code is indicated on the nameplate, which is affixed to the device in such a way that it is clearly visible. Additional information about the nameplate is provided in the associated Operating Instructions.

Structure of the extended order code

PMP5x	-	*****	+	A*B*C*D*E*F*G*..
<i>(Device type)</i>		<i>(Basic specifications)</i>		<i>(Optional specifications)</i>

* = Placeholder

At this position, an option (number or letter) selected from the specification is displayed instead of the placeholders.

Basic specifications

The features that are absolutely essential for the device (mandatory features) are specified in the basic specifications. The number of positions depends on the number of features available.

The selected option of a feature can consist of several positions.

Optional specifications

The optional specifications describe additional features for the device (optional features). The number of positions depends on the number of features available. The features have a 2-digit structure to aid identification (e.g. JA). The first digit (ID) stands for the feature group and consists of a number or a letter (e.g. J = Test, Certificate). The second digit constitutes the value that stands for the feature within the group (e.g. A = 3.1 material (wetted parts), inspection certificate).

More detailed information about the device is provided in the following tables. These tables describe the individual positions and IDs in the extended order code which are relevant to hazardous locations.

Extended order code: Cerabar M



The following specifications reproduce an extract from the product structure and are used to assign:

- This documentation to the device (using the extended order code on the nameplate).
- The device options cited in the document.

Device type

PMP51, PMP55

Basic specifications

Position 1, 2 (Approval)		
Selected option		Description
PMP5x	UC	UK Ex II 2 G Ex db IIC T6 Gb UK Ex II 2 G Ex db IIC T4 Gb

Position 3 (Output)		
Selected option		Description
PMP5x	2	4-20 mA HART
	3	PROFIBUS PA
	4	FOUNDATION Fieldbus

Optional specifications

No options specific to hazardous locations are available.

Safety instructions: General

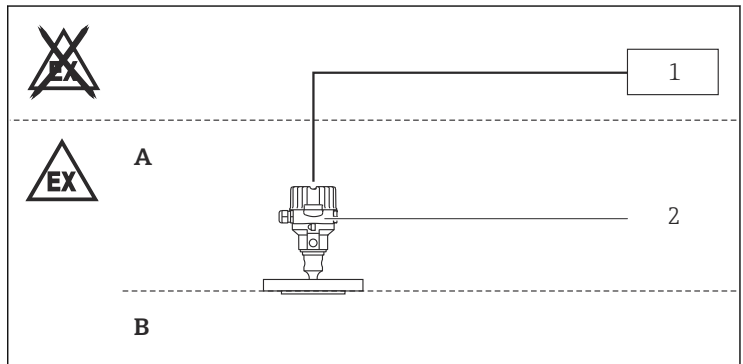
- The device is intended to be used in explosive atmospheres as defined in the scope of IEC 60079-0 or equivalent national standards. If no potentially explosive atmospheres are present or if additional protective measures have been taken: The device may be operated according to the manufacturer's specifications.
- Comply with the installation and safety instructions in the Operating Instructions.
- Staff must meet the following conditions for mounting, electrical installation, commissioning and maintenance of the device:
 - Be suitably qualified for their role and the tasks they perform
 - Be trained in explosion protection
 - Be familiar with national regulations
- Install the device according to the manufacturer's instructions and national regulations.

- Only use the device in media to which the wetted materials have sufficient durability.
- Avoid electrostatic charging:
 - Of plastic surfaces (e.g. enclosure, sensor element, special varnishing, attached additional plates, ..)
 - Of isolated capacities (e.g. isolated metallic plates)
- Modifications to the device can affect the explosion protection and must be carried out by staff authorized to perform such work by Endress+Hauser.

Safety instructions:
Special conditions

- For light metal flanges or flange faces (e.g. titanium, zirconium), avoid sparks caused by impact and friction.
- To avoid electrostatic charging: Do not rub surfaces with a dry cloth.
- In the event of additional or alternative special varnishing on the enclosure or other metal parts or for adhesive plates:
 - Observe the danger of electrostatic charging and discharge.
 - Do not install in the vicinity of processes (≤ 0.5 m) generating strong electrostatic charges.

Safety instructions:
Installation



A0023750

- A Zone 1, Electronic
 B Zone 1, Process
 1 Power supply
 2 PMP51, PMP55


- In potentially explosive atmospheres: Do not open the connection compartment cover and the electronics compartment cover when energized.
- Before operation:
 - Screw in the cover all the way.
 - Tighten the securing clamp on the cover.
- Connect the device:
 - Using suitable cable and wire entries of protection type "Flameproof Enclosure (Ex db)".
 - Using piping systems of protection type "Flameproof Enclosure (Ex db)".
- When connecting through a conduit entry approved for this purpose, mount the associated sealing unit directly at the enclosure.
- For ambient temperatures higher than +70 °C, use suitable heat resisting cables or wires.
- Seal unused entry glands with supplied metal blind plug. Alternative use only suitable, separate approved Ex d blanking elements.
- The plastic sealing plug is used only as transport protection.

Safety instructions: Ex d joints

- If required or if in doubt: ask manufacturer for specifications.
- Flameproof joints are not intended to be repaired.

Temperature tables

 Do not exceed the max. ambient temperature at the enclosure.

 *Device type PMP51*
The process temperatures refer to the temperature at the separation membrane.

Device type PMP55
Higher temperatures are permitted depending on the type of diaphragm seal.

Temperature class	Process temperature T _p (process)	Ambient temperature T _a (ambient): enclosure
T6	≤ 80 °C	-40 °C ≤ T _a ≤ +75 °C
T4	≤ 120 °C	

Connection data *Basic specification, Position 3 = 2*

Power supply
U ≤ 45 V _{DC} P ≤ 1.1 W

Basic specification, Position 3 = 3, 4

Power supply

$U \leq 32 \text{ V}_{\text{DC}}$

$P \leq 1.25 \text{ W}$



71544761

www.addresses.endress.com
