

Safety Instructions

Deltabar FMD71, FMD72

4-20 mA HART

II 3 G Ex ec ic IIC T6 Gc



Deltabar FMD71, FMD72

4-20 mA HART

Table of contents

About this document	4
Associated documentation	4
Supplementary documentation	4
Manufacturer's certificates	4
Manufacturer address	5
Other standards	5
Extended order code	5
Safety instructions: General	7
Safety instructions: Special conditions	7
Safety instructions: Installation	8
Temperature tables	9
Connection data	10

About this document



This document has been translated into several languages. Legally determined is solely the English source text.

The document translated into EU languages is available:

- In the download area of the Endress+Hauser website:
www.endress.com -> Downloads -> Manuals and Datasheets -> Type: Ex Safety Instruction (XA) -> Text Search: ...
- In the Device Viewer: www.endress.com -> Product tools -> Access device specific information -> Check device features



If not yet available, the document can be ordered.

Associated documentation

This document is an integral part of the following Operating Instructions:

BA01044P

Supplementary documentation

Explosion-protection brochure: CP00021Z/11

The Explosion-protection brochure is available:

- In the download area of the Endress+Hauser website:
www.endress.com -> Downloads -> Brochures and Catalogs -> Text Search: CP00021Z
- On the CD for devices with CD-based documentation

Manufacturer's certificates

EU Declaration of Conformity

Declaration Number:

EU_01048

The EU Declaration of Conformity is available:

In the download area of the Endress+Hauser website:

www.endress.com -> Downloads -> Declaration ->

Type: EU Declaration -> Product Code: ...

EU type-examination certificate

Certificate number:

EU 01048 X

List of applied standards: See EU Declaration of Conformity.

Manufacturer address	Endress+Hauser SE+Co. KG Hauptstraße 1 79689 Maulburg, Germany Address of the manufacturing plant: See nameplate.
Other standards	Among other things, the following standards shall be observed in their current version for proper installation: <ul style="list-style-type: none"> ■ IEC/EN 60079-14: "Explosive atmospheres - Part 14: Electrical installations design, selection and erection" ■ EN 1127-1: "Explosive atmospheres - Explosion prevention and protection - Part 1: Basic concepts and methodology"
Extended order code	The extended order code is indicated on the nameplate, which is affixed to the device in such a way that it is clearly visible. Additional information about the nameplate is provided in the associated Operating Instructions.

Structure of the extended order code

FMD7x	-	*****	+	A*B*C*D*E*F*G*..
<i>(Device type)</i>		<i>(Basic specifications)</i>		<i>(Optional specifications)</i>

* = Placeholder

At this position, an option (number or letter) selected from the specification is displayed instead of the placeholders.

Basic specifications

The features that are absolutely essential for the device (mandatory features) are specified in the basic specifications. The number of positions depends on the number of features available. The selected option of a feature can consist of several positions.

Optional specifications

The optional specifications describe additional features for the device (optional features). The number of positions depends on the number of features available. The features have a 2-digit structure to aid identification (e.g. JA). The first digit (ID) stands for the feature group and consists of a number or a letter (e.g. J = Test, Certificate). The second digit constitutes the value that stands for the feature within the group (e.g. A = 3.1 material (wetted parts), inspection certificate).

More detailed information about the device is provided in the following tables. These tables describe the individual positions and IDs in the extended order code which are relevant to hazardous locations.

Extended order code: Deltabar



The following specifications reproduce an extract from the product structure and are used to assign:

- This documentation to the device (using the extended order code on the nameplate).
- The device options cited in the document.

Device type

FMD71, FMD72

Basic specifications

Position 1, 2 (Approval)		
Selected option		Description
FMD7x	BL	ATEX II 3 G Ex ec ic IIC T6...T4/T3 Gc

Position 5 (Housing Transmitter)		
Selected option		Description
FMD7x	A	Aluminium T14
	B	Stainless steel T14

Optional specifications

No options specific to hazardous locations are available.

**Safety
instructions:
General**

- The device is intended to be used in explosive atmospheres as defined in the scope of EN IEC 60079-0 or equivalent national standards. If no potentially explosive atmospheres are present or if additional protective measures have been taken: The device may be operated according to the manufacturer's specifications.
- Comply with the installation and safety instructions in the Operating Instructions.
- Staff must meet the following conditions for mounting, electrical installation, commissioning and maintenance of the device:
 - Be suitably qualified for their role and the tasks they perform
 - Be trained in explosion protection
 - Be familiar with national regulations
- Install the device according to the manufacturer's instructions and national regulations.
- Only use the device in media to which the wetted materials have sufficient durability.

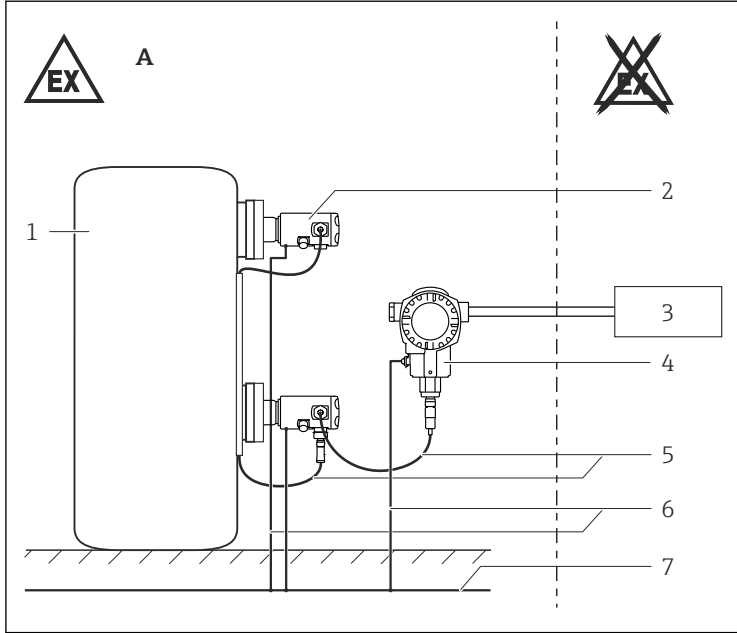
**Safety
instructions:
Special conditions**

- For light metal flanges or flange faces (e.g. titanium, zirconium), avoid sparks caused by impact and friction.
- In the case of process connections made of polymeric material or with polymeric coatings, avoid electrostatic charging of the plastic surfaces.
- To avoid electrostatic charging: Do not rub surfaces with a dry cloth.
- In the event of additional or alternative special varnishing on the enclosure or other metal parts or for adhesive plates:
 - Observe the danger of electrostatic charging and discharge.
 - Do not install in the vicinity of processes (≤ 0.5 m) generating strong electrostatic charges.

At the transmitter enclosure:

In potentially explosive atmospheres: Do not disconnect terminal connections when energized.

Safety instructions: Installation



A0032294



- 1 Tank; Zone 2
- 2 Sensor module
- 3 Power supply
- 4 Transmitter enclosure (Ex ec)
- 5 Ex ic circuits
- 6 Potential equalization line
- 7 Potential equalization

- After aligning (rotating) the enclosure, retighten the fixing screw.
- Sensor modules may only be connected to the transmitter and interconnected to each other. Any further connections are not allowed.
- Transmitter enclosure and sensor modules must have the same ground potential (e.g. transmitter enclosure and sensor modules all mounted to the same metal structure).
If potential equalisation can not be achieved by the installation, the devices must be interconnected with a suitable bonding conductor using the external ground connections.
- Seal unused entry glands with approved sealing plugs that correspond to the type of protection.

- Supplied metallic sealing plugs comply with the requirements of type of protection marked on the nameplate.
- Install the device so that an ingress protection of at least IP54 is achieved.
- The connection cables to the sensor modules are intrinsically safe circuits (Ex ic). Observe the pertinent guidelines when intrinsically safe plants are installed.

Temperature tables

Device type *FMD71*

Compact version

Temperature class	Process temperature T_p (process)	Ambient temperature T_a (ambient): enclosure
T6	$\leq 80\text{ °C}$	$-40\text{ °C} \leq T_a \leq +40\text{ °C}$
T4	$\leq 125\text{ °C}$	$-40\text{ °C} \leq T_a \leq +60\text{ °C}$



The process temperatures refer to the temperature at the separation membrane.

High-temperature version

Temperature class	Process temperature T_p (process)	Ambient temperature T_a (ambient): enclosure
T6	$\leq 80\text{ °C}$	$-40\text{ °C} \leq T_a \leq +40\text{ °C}$
T4	$\leq 135\text{ °C}$	$-40\text{ °C} \leq T_a \leq +60\text{ °C}$
T3	$\leq 150\text{ °C}$	$-40\text{ °C} \leq T_a \leq +60\text{ °C}$



The process temperatures refer to the temperature at the separation membrane.

Device type FMD72

Temperature class	Process temperature T_p (process)	Ambient temperature T_a (ambient): enclosure
T6	$\leq 80\text{ °C}$	$-40\text{ °C} \leq T_a \leq +40\text{ °C}$
T4	$\leq 125\text{ °C}$	$-40\text{ °C} \leq T_a \leq +60\text{ °C}$



- The process temperatures refer to the temperature at the separation membrane.
- Higher temperatures are permitted depending on the type of diaphragm seal.
- Do not exceed the max. ambient temperature at the enclosure.

Connection data

Electrical data
$U \leq 45\text{ V}_{DC}$ $P \leq 1.1\text{ W}$



71580713

www.addresses.endress.com
